

APACHE CANADA LIMITED

HAMBURG 2-6  
COMPRESSOR STATION

HAMBURG, ALBERTA

LSD: 02-06-097-11 W6M

DATE: SEPTEMBER, 2000

**S.O.#: 99420**

OPERATING MANUAL  
VOLUME 1

**PROPAK COPY**  
**Do Not Remove From Propak**  
**Premises**

**APACHE CANADA LIMITED**

**HAMBURG 2-6 COMPRESSOR STATION**

**HAMBURG, ALBERTA**

**LSD#: 02-06-097-11 W6M**

**DATE: OCTOBER, 2000**

**S.O.#: 99420**



TABLE OF CONTENTS

PROPAK COPY

(INDEXED IN ALPHABETICAL ORDER BY TAG NUMBER)

<u>SECTION</u>	<u>TITLE</u>
VOLUME 1	
1.	HAZARD WARNING
2.	PRODUCT AND SERVICE BULLITIN
3.	BASIS OF DESIGN
4.	DESIGN DESCRIPTION
5.	STANDARD WRITE-UPS: DESCRIPTION
6.	PROCESS
7.	EQUIPMENT
VOLUME 2	
7.	EQUIPMENT (Continued)
VOLUME 3	
8.	INSTRUMENTATION
VOLUME 4	
9.	ELECTRICAL
10.	DRAWINGS:
	- MECHANICAL FLOWSHEET
	- GENERAL ASSEMBLY
	- SKID STEEL



**SECTION 1: HAZARD WARNING****CAUTION****CAUTION****CAUTION**

**BEWARE! GAS PROCESSING UNITS ARE COMPLICATED AND DANGEROUS PIECES OF EQUIPMENT IF YOU ARE NOT FULLY TRAINED AND FAMILIAR WITH THEIR OPERATION.**

**BEFORE STARTING THIS UNIT  
FAMILIARIZE YOURSELF WITH THE UNIT**

**A gas/air mixture under pressure can explode!!!  
Sour gas is extremely poisonous!!!  
You can be severely injured or killed.**

**Make sure the unit is sufficiently purged of any explosive mixture and there are no gas leaks before starting.  
Unit startup/shutdown procedure to be carried out by trained, authorized personnel only.**

**Operational inquiries can be directed to Propak.  
For replacement parts / maintenance assistance contact Propak.  
After completing the above, begin proper starting procedure.**

**CAUTION****CAUTION****CAUTION**



***PRODUCT & FIELD SERVICES DIVISION***

Propak's Product & Field Services Division provides complete field services for all your gas processing needs.

- Engineering Feasibility & Plant Optimization Studies
  - Plant Troubleshooting
  - Plant Mothballing
  - Turnaround Planning
  - Operator Training
  - Maintenance & Repairs
  - Vessel Repairs & Modifications
  - Exchanger Re-tubing & Repairs
  - Aerial Cooler Re-rating & Repairs
  - Direct Fired Heater Re-rating & Burner Management
  - Direct Fired Heater Coil, Burner, Refractory Repairs
  - Tower Inspections & Re-traying
  - Piping Modifications & Repairs
  - Extensive Parts Inventory
  - Mycom Compressor Parts & Services

***AVAILABLE 24 HRS  
QUALITY PRODUCTS AND SERVICE***

Contacts:	Service:	Pat Randall	403-912-7260
	Parts:	Barry Sweetman	403-912-7251

Phone Service:	403-912-7000	1-800-408-4434 Canadian & US Customers
Fax:	403-912-7252	email: prandall@propak-sys.com



PARTS / SERVICE / COMPRESSION REVAMPS

An authorized distributor for Dresser-Rand, Knox Western, Sullair and Mycom compressors, offers a wide range of services for the following Quality compression products:

OEM after-market market parts support for the following compressor products:

**Dresser – Rand**

- HOS Series
- VIP Series
- RHD / RDS Series
- Cub / Supercub Series
- KOA / KOB / KOC Series
- Worthington

**Knox Western**

- Eagle Series
- TP Series

**Sullair / Mycom**

- Oil Flooded screw Compressors

Services offered:

- Compressor Overhaul
- Routine Compressor / Engine Maintenance
- Field Revamps and Package Modifications
- Complete Shop Re-packaging
- Consignment parts agreements

Propak’s factory trained service technicians use only genuine OEM parts.

• **Compressor Re-manufacturing**

complete repackaging service for all makes of compressors that covers re-engineering, modifying unit drawings and operating manuals, cooler re-rating and manufacturing, vessel fabrication, field installation / construction, and unit start up.

**WITH PROPAK COMPRESSION  
YOU CAN EXPECT MORE AND SPEND LESS**

Contacts:

Service	Dennis Richter
Parts	Barry Sweetman
Sales	Winston McHardy

403-912-7257
403-912-7251
403-912-7281



## **BASIS OF DESIGN**

The following describes a modularized and packaged gas compressor, designed and fabricated for Apache Canada Limited, consisting of a compressor, natural gas driven engine and aerial cooler being used for the compression of a natural gas mixture for installation the Hamburg gas processing facility, LSD: 02-06-097-11 W6M.

The inlet flow is a natural gas mixture. Three stages of compression deliver the gas to the pipeline at 1200 kPag (minimum), and 49 °C. The gas mixture consists of the following components;

<b>COMPONENT</b>	<b>MOLE FRACTION</b>
<b>HYDROGEN</b>	0.0
<b>HELIUM</b>	0.0003
<b>NITROGEN</b>	0.0063
<b>CARBON DIOXIDE</b>	0.0233
<b>METHANE</b>	0.9201
<b>ETHANE</b>	0.0360
<b>PROPANE</b>	0.0073
<b>I-BUTANE</b>	0.0012
<b>N-BUTANE</b>	0.0015
<b>I-PENTANE</b>	0.0010
<b>N-PENTANE</b>	0.0005
<b>HEXANE</b>	0.0005
<b>HEPTANE +</b>	0.0021
<b>HYDROGEN SULFIDE</b>	8 – 10 ppm
<b>TOTAL</b>	1.0000



## **DESIGN DESCRIPTION**

### **PROCESS**

All process piping and vessels have been designed for sour gas service, with 1/8" corrosion allowance.

Stage one suction has been designed for a pressure of 4516 kPag at 149°C. Stage one discharge has been designed for a pressure of 4447 kPag at 176°C and has a full flow relief valve set at 3412 kPag.

Stage two suction has been designed to 4516 kPag at 149°C. The second stage discharge PSV has been designed for full flow and has been set at 8720 kPag.

Stage three suction has been designed to 9067 kPag at 149°C. The second stage discharge PSV has been designed for full flow and has been set at 11377 kPag.

### **INSTRUMENT AIR**

The instrument air system is designed for a maximum pressure of 1034 kPag. Protection for this system must be provided upstream of the compressor skid edge.

### **ENGINE FUEL AND START GAS**

The engine fuel supply line is designed for a maximum pressure of 1034 kPag. Protection for this system must be provided upstream of the compressor skid edge.

The engine start gas has been designed for 1034 kPag start gas supply pressure. Protection for this system must be provided upstream of the compressor skid edge.



**APACHE CANADA LIMITED**

**LSD: 02-06-097-11 W6M**

**2-6 Hamburg 1478 hp Compressor Package**

**Propak Systems Unit #99420**

**Waukesha L7042GL / Dresser-Rand 6HOS-3  
Operations and Maintenance Manual**

TABLE OF CONTENTS

		<u>page</u>
<b>Operations and General Description</b>		
1.0	Overview.....	4
2.0	Performance.....	5
2.1	Compressor Performance Data Sheet.....	6
2.2	Capacity Control System.....	9
3.0	Compressor.....	10
3.1	Compressor Running Gear Lubrication.....	11
3.2	Compressor Cylinder & Packing Lubrication.....	12
3.3	Compressor Frame and Cylinder Cooling System.....	13
4.0	Engine.....	14
4.1	Engine Lubrication System.....	15
4.2	Drive Coupling.....	16
4.3	Engine Fuel Gas System.....	17
4.4	Engine Starting Motor.....	17
4.5	Engine Exhaust System.....	18
4.6	Engine Electrical Controls.....	18
4.7	Engine Pre-Lubrication.....	18
4.8	Engine Cooling.....	19
5.0	Air Cooler Assembly.....	19
5.1	Process Gas Cooling System.....	20
5.2	Engine Jacket Water Cooling System.....	21
5.3	Auxiliary Jacket Water Cooling System.....	21
5.4	Air Recirculation System.....	22
6.0	Pulsation Bottles.....	22
7.0	Inlet Gas Scrubbers.....	23
8.0	Pressure Piping System.....	24
9.0	Local Compressor PLC Control Panel.....	25
9.1	Automatic Mode.....	26
9.2	Manual Mode.....	27
9.3	Quick Panel Operator Interface.....	27
10.0	Compressor Package Start-up Sequencing and Control Logic.....	27
10.1	Control Panel Prestart Checks.....	28
10.2	Start-Up Compressor.....	28
10.3	Engine Start Sequence.....	29
11.0	Compressor Start and Shutdown Sequencing.....	30
11.1	Compressor Stop.....	30
11.2	Compressor Shutdown.....	30
11.3	Compressor ESD or Plant ESD.....	30
12.0	Major Component Serial Number Record.....	32
13.0	APPENDIX “A”.....	33
	HMI Flow Sheet.....	34
	Local PLC – Alarms/Shutdowns.....	35
	Compressor Start-Up Check List.....	37
	After Start-Up Check List.....	40



---

# **Apache Canada Limited**

## **LSD: 02-06-097-11 W6M**

### **2-6 Hamburg 1478 hp Compressor Package**

#### **Operations and Maintenance Manual**

#### **Propak Systems Unit #99420**

---

The following text describes a packaged gas compressor unit, designed and fabricated for Apache Canada Limited at the Hamburg Compressor Station, LSD: 02-06-097-11 W6M. Compression of the gas stream is provided by a 1478 hp gas engine driven, three throw reciprocating compressor.

***CAUTION:*** *Operation and adjustment of this equipment should only be attempted by qualified personnel, and accordingly the equipment descriptions and operating procedures contained herein assume a thorough working knowledge of gas compression systems, equipment, and safety procedures. Please refer to the standard instructions contained in tab A of the Dresser-Rand Instruction and Parts list, enclosed in the “Compressor” section of this manual for additional information.*

***WARNING!!*** *Service to this equipment should never be undertaken other than by fully qualified personnel, with specific training in the safety procedures required to work in explosive or toxic gas (H<sub>2</sub>S) environments, and using only appropriate tools and safety equipment. In no instance should any pressure component, instrument, valve, or other part exposed to the process gas stream be removed, disassembled, opened, or otherwise disturbed causing process gas to escape inside the compressor building without first depressurizing, fully purging with non-toxic gas, and positively isolating all process gas piping system connections from the compressor building. Approved breathing apparatus must always be worn to prevent personal injury or death. Equipment safety alarms including electronic fire, and combustible gas detection systems, should never be bypassed or defeated.*

## **1.0 OVERVIEW**

The compressor unit described herein is designed to compress a gas mixture in three stages from a suction pressure range of 25-200 psig, to a discharge pressure of approximately 1200 psig.

The new unit is a fully packaged modular gas compressor. All equipment is mounted on a concrete filled structural steel skid, c/w cooling and lubrication systems, controls, gas scrubbers, pulsation bottles, pressure piping and appurtenances. A self framing, insulated steel building is installed on the skid base to enclose the equipment and c/w a bridge crane for field service of heavy lift components. Care has been taken in the design and detail of the equipment to ensure safe and reliable performance within the design parameters. Unless stated specifically herein, never disarm or disable any safety switches or alarms without first consulting the manufacturer. Always consult the manufacturer prior to changing the operating parameters or loading configurations to those outside the design performance envelope. The manufacturer should be consulted immediately in the event of severe vibration, unusual mechanical noise, or other abnormality. Among other various shutdown devices, process pressure transmitters and temperature thermocouples are provided for both real-time indication and to protect the compressor from extreme operating conditions, and to cause the unit to shutdown in the event of process upset conditions (i.e. loss of inlet pressure, blocked discharge line, failed valve, etc.). The pressure transmitters are mounted locally at the process connection (inlet pulsation bottle nozzle and pressure piping downstream of each of the discharge pulsation bottles) and are equipped with isolating block and bleed needle valves<sup>1</sup> at the process pressure sensing point. The process thermocouples are installed in the inlet suction piping to each stage and in the discharge pulsation bottle nozzles.

**CAUTION:** *These needle valves<sup>1</sup> are installed for service only and should always remain fully opened. Never operate the unit with the needle valves closed, or the control panel safety protection and shutdown system will become disabled.*

## **2.0 PERFORMANCE**

Stages 1, 2 & 3 compress inlet gas from the suction range 25-200 psig to approximately 1200 psig. Compressor discharge pressure is a function of the resistance of the flow system downstream of the compressor.

Separate performance curves for stg-1, 2 & 3 are included in the “PROCESS” section and are calculated at varying inlet pressures and VVCP settings. The discharge pressure and engine speed are fixed for each performance curve, inlet pressure (psig) varies across the x-axis, capacity (mmscf/d) and horsepower (bhp) vary on the y-axis of the graph. Lines are alphanumerically labeled and each represents a different setting (percent of total extension) of the VVCP (variable volume clearance pocket). The compression horsepower read from the performance curves does not include the approximately 58 bhp required to drive the cooler fan. This should be added to the aggregate of the stg-1, 2 & 3 horsepower to obtain the total brake horsepower for a given condition. Performance is calculated at rated speed, capacity and horsepower may be corrected for actual operating speed as follows:

$$\frac{\text{actual engine speed (rpm)}}{1200 \text{ rpm}} \times \text{mmscf/d or bhp} = \text{corrected mmscf/d or bhp}$$

Refer to the Section 6 of this manual for the “PROCESS” section included with this overview for flowrates at individual suction pressures.

## 2.1 COMPRESSOR PERFORMANCE DATA SHEETS

The following is a sample performance data sheet:

DRESSER-RAND GAS FIELD COMPRESSOR PERFORMANCE (DRSIZE copyright 1996-1997 V1.2)

PACKAGER: Propak Compression	DATE: Jul 28, 1998
LOCATION: Alberta	FILE: C17006H3.DAT " 1"
JOB/REF : 1700 Bhp Stock Unit	CALC BY: Propak Engineer
JOBSITE : Amb T (F) : 95.	Alt. (FT) : 3000. Atm ( PSIA): 13.17
Ref. Pressure ( PSIA) : 14.70	Ref. Temp. (F): 60.
COMPRESSOR: Frame : 6 BOS 4	Stroke (IN): 6.0 Rod Dia(IN): 2.500
.....Calc RPM : 1000.0	Max RPM : 1200.0 Cooler (HP): 70.0
DRIVER: Type : Gas Engine	Avail (HP) : 1715.0 Model: G3606TALE

( 1 )	Stage Number	1	2	3		
( 2 )	Gas	Natural	Natural	Natural	Ps= 150 psig	
( 3 )	Dry Gas Mol. Weight	18.827	18.827	18.827	Pd= 1400 PSIG	
( 4 )	Dry Gas Spec. Gravity	.650	.650	.650		
( 5 )	Cp/Cv @ 14.7/60	1.277	1.277	1.277	(1) stg 1 cyl N.A.	
( 6 )	Avg. Temp. Expon. (K)	1.268	1.256	1.275		
( 7 )	Avg. Vol. Expon. (N)	1.257	1.253	1.295		
( 8 )	Gas Crit. Temperature	R 384.092	384.092	384.092		
( 9 )	Gas Crit. Pressure	PSIA 675.549	675.549	675.549		
( 10 )	Z Standard	.998	.998	.998		
( 11 )	Z Suction	.970	.962	.915		
( 12 )	Z Discharge	.965	.961	.923		
( 13 )	Inlet Temperature	F 60.00	120.00	120.00		
( 14 )	Inlet Press. @ Cyl Flg	PSIG 147.75	284.08	654.39		
( 15 )	Interstage Press. Drop	% 2.00	1.50	1.00		
( 16 )	Disch. Press. @ Cyl Flg	PSIG 290.14	664.55	1414.00		
( 17 )	Ratio of Compression	1.885	2.280	2.138		
( 18 )	Adiabatic Disch. Temp.	F 134.59	226.20	223.27		
( 19 )	Est. Actual Disch. Temp	F 146.98	239.38	232.03		
( 20 )	Stg. Piston Displ.	CFM 904.7	704.3	250.2		
( 21 )	Stg. Inlet Capacity	ACFM 754.6	452.2	191.4		
( 22 )	CAPACITY ACTUAL WET	MMSCFD 12.24	12.24	12.24		
( 23 )	CAPACITY ACTUAL DRY	MMSCFD 12.22	12.22	12.22		
( 24 )	TOTAL COMPRESSOR POWER	HP 1645.00				
-----						
( 25 )	Stage number at (HE/CE)	1/1	1/1	2/2	3/3	
( 26 )	Frame Ext./Cyl. Bore	#/IN 1/13.000	3/13.000	2/11.500	4/ 7.000	
( 27 )	Cylinder Pattern	G12202	G12202	G12201	G12197	
( 28 )	RDP	PSIG 585.0	585.0	775.0	1500.0	
( 29 )	MAMP	PSIG 644.0	644.0	855.0	1650.0	
( 30 )	Cyl. Action/HE Rod Dia. Act./IN	NA/ .00	DA/ .00	DA/ .00	DA/ .00	
( 31 )	Brake power / Cylinder	HP 11.8	432.2	614.9	545.9	
( 32 )	HE Disch. Vol. Eff.	% .00	49.52	26.50	41.32	
( 33 )	CE Disch. Vol. Eff.	% .00	51.26	40.38	43.97	
( 34 )	HE Inlet Vol. Eff.	% .00	82.00	51.14	74.29	
( 35 )	CE Inlet Vol. Eff.	% .00	84.87	77.93	79.05	
( 36 )	Avg. Inlet Vol. Eff.	% .00	83.43	64.54	76.67	
( 37 )	HE Clearance Req'd.	% 17.80	22.08	48.61	27.27	
( 38 )	HE Clearance Min.	% 17.80	17.80	18.80	17.70	
( 39 )	HE Pocket Open	% .00	3.95	35.00	10.00	
( 40 )	HE Clearance Added	IN3 .0	34.1	185.8	22.1	
( 41 )	CE Clearance Req'd.	% 17.70	17.70	19.80	21.30	
( 42 )	CE Clearance Min.	% 17.70	17.70	19.80	21.30	
( 43 )	CE Clearance Added	IN3 .0	.0	.0	.0	
( 44 )	Valve Model - HE	PF67	PF67	PF60	PF48	
( 45 )	Valve Model - CE	PF67	PF67	PF60	PF48	
( 46 )	Valves / Corner (HE/CE)	2/2	2/2	2/2	1/1	
( 47 )	Valve Lift - HE	IN .080	.080	.080	.080	
( 48 )	Valve Lift - CE	IN .080	.080	.080	.080	
( 49 )	Valve Lift Area - HE	SQIN 10.420	10.420	7.360	5.640	
( 50 )	Valve Lift Area - CE	SQIN 10.420	10.420	7.360	5.640	
( 51 )	API Inlet Vlv Vel Avg.	FPM 6251.3	6251.3	6889.6	6388.3	
( 52 )	Flange Gas Load - T	LBF	-725	17476	36257	22292
( 53 )	Flange Gas Load - C	LBF	-725	-19626	-40914	-32446
( 54 )	Max. Allow. Gas Load	LBF	60000	60000	60000	60000
( 55 )	Combined Rod Load - T	LBF	37587	28123	32265	22277
( 56 )	Combined Rod Load - C	LBF	-26939	-27222	-30896	-33149
( 57 )	Max Allow Rod Load	LBF	60000	60000	60000	60000
( 58 )	Recip. Weight @ XHD Pin	LB	379.0	379.0	379.0	379.0
( 59 )	Reversal @ XHD Pin	DEG	160.0	175.0	175.0	170.0

Following is a line by line chart for interpretation of the performance data sheets:

LINE #	NAME	DESCRIPTION
1	stage number	data for each stage of compression follows in vertical columns
2-12	gas description	gas properties: i.e.; molecular weight, specific gravity, ratio of specific heats, pseudo critical properties, compressibility, etc.
13	inlet temperature	$T_{s_n}$ = gas inlet temperature to each stage (°F.)
14	inlet pressure	$P_{s_n}$ = gas inlet pressure at the cylinder flange (psig)
15	interstage $\Delta P$	$\Delta P_n$ = estimated pressure drop (percent) through the interstage gas cooler and scrubber
16	discharge pressure	$P_{d_n}$ = gas discharge pressure at the cylinder flange (psig)
17	ratio of compression	$R_{c_n}$ = $P_d/P_s$ for each stage, ratio of absolute pressures
18	adiabatic discharge temperature	$T_{d_n}$ = adiabatic gas discharge temperature for each stage (°F.)
19	estimated actual discharge temperature	temperature based on known efficiencies (°F.)
20	piston displacement (ft <sup>3</sup> per minute)	cfm = total piston displacement or swept volume for each stage at the calculated operating speed
21	inlet capacity (actual ft <sup>3</sup> per minute)	acfm = gas flowrate at inlet conditions, swept volume (cfm) x volumetric efficiency = acfm
22	actual capacity (wet)	gross rated capacity wet (mmscf/d $\pm 3\%$ at 14.65 psia & 60°F.)
23	actual capacity (dry)	gross rated capacity dry (mmscf/d $\pm 3\%$ at 14.65 psia & 60°F.)
24	total compressor power (brake horsepower)	total compressor bhp at the specified operating condition, (includes frictional hp and auxiliary hp)
25	Stage number at (HE/CE)	Stage of compression for each cylinder end.
26	frame extension / cyl. bore diameter (inches)	compressor frame extension number (crank throw) and cylinder bore diameter (inches)
27	cylinder pattern	Dresser-Rand cylinder pattern number or casting reference number
28	RDP	cylinder rated discharge pressure – maximum operating pressure (psig)
29	MAWP	cylinder nameplate maximum allowable working pressure (psig) maximum safety relief valve setpoint
30	cylinder action / HE rod diameter (inches)	DA=double acting; NA=non-acting; SACE=single acting crank end; SAHE=single acting head end / HE piston rod dia. (if used)
31	brake power per cylinder	compressor brake horsepower (bhp) per cylinder
32	percent H.E. discharge volumetric efficiency	cylinder head end $VE_{d,\eta}$ = calculated degrees of crank rotation where the cylinder HE discharge valves are opened $\div 180^\circ$
33	percent C.E. discharge volumetric efficiency	cylinder crank end $VE_{d,\eta}$ = calculated degrees of crank rotation where the cylinder CE discharge valves are opened $\div 180^\circ$
34	percent H.E. inlet volumetric efficiency	cylinder head end $VE_{I,\eta}$ = calculated degrees of crank rotation where the cylinder HE suction valves are opened $\div 180^\circ$
35	percent C.E. inlet volumetric efficiency	cylinder crank end $VE_{I,\eta}$ = calculated degrees of crank rotation where the cylinder CE suction valves are opened $\div 180^\circ$
36	percent average inlet volumetric efficiency	the numerical average of line 32 & 33; or ACFM $\div$ CFM =average inlet volumetric efficiency
37	H.E. clearance volume required (%)	total required head end clearance volume at the specified design condition (inherent clearance plus added clearance)
38	H.E. clearance volume minimum (%)	cylinder minimum or inherent head end clearance volume
39	H.E. pocket open (%)	variable volume clearance pocket (VVCP) percent open

LINE #	NAME	DESCRIPTION
40	H.E. clearance volume added (cubic inches)	total in <sup>3</sup> of clearance volume added to the head end of the cylinder
41	C.E. clearance volume required (%)	total required crank end clearance volume at the specified design condition (inherent clearance plus added clearance)
42	C.E. clearance volume minimum (%)	cylinder minimum or inherent crank end clearance volume
43	C.E. clearance volume added (cubic inches)	total in <sup>3</sup> of all clearance volume added to the crank end of the cylinder (fixed spacers, clearance plugs, or VVCP)
44	valve model H.E.	cylinder head end valve model number, size or type (description)
45	valve model C.E.	cylinder crank end valve model number, size or type (description)
46	valves per corner H.E. / C.E.	number of valves installed in the cylinder H.E. / C.E. (minimum 2, one suction and one discharge)
47	valve lift H.E. (inches)	head end valve plate design lift (inches)
48	valve lift C.E. (inches)	crank end valve plate design lift (inches)
49	valve lift area H.E. (in <sup>2</sup> )	head end fully opened valve lift area (sq. in.)
50	valve lift area C.E. (in <sup>2</sup> )	crank end fully opened valve lift area (sq. in.)
51	API average inlet valve velocity (fps)	average inlet valve gas velocity (feet per second) calculated using API formulae
52	flange gas load - T (lbf)	static piston rod load (lbs force in tension) that result from gas pressure measured at the cyl flange, acting on the piston area
53	flange gas load - C (lbf)	static piston rod load (lbs force in compression) that result from gas pressure measured at the cyl flange acting on the piston area
54	maximum allowable gas load (lbf)	maximum static piston rod load (calculated in lbs force) that may be applied to the frame (specified by the manufacturer)
55	combined rod load - T (lbf)	is the actual piston rod load (lbs force in tension), ie; the sum of all static (gas) loads and inertial forces at the calculated rpm
56	combined rod load - C (lbf)	is the actual piston rod load (lbs force in compression); the sum of all static (gas) loads and inertial forces at the calculated rpm
57	maximum allowable rod load (lbf)	the manufacturer's rated maximum permissible piston rod or frame load (lbs force)
58	reciprocating weight (lbs) at X-head pin	total weight (lbs) of the reciprocating mass, measured at the crosshead pin (includes the M <sub>recip</sub> component of the con rod assy)
59	degrees reversal at the X-head pin	the calculated degrees (crank rotation) of crosshead pin load reversal (180° = 50%, equal or perfect load reversal)

## 2.2 CAPACITY CONTROL SYSTEM

The compressor is equipped with an automatic stage-1/3 gas bypass system that recycles stage-3 aftercooled gas back to stage-1 suction. Compressor suction pressure is monitored via pressure transmitter (PT-100) at the inlet to the compressor. This signal is used by the PLC to control the engine speed (I/P-219), and the bypass pressure control valve (PCV-100). The goal is to maintain a constant suction pressure. Under normal operating conditions, the engine is running at full speed (1200 RPM) and PCV-100 fully closed. Setpoints allow the engine speed to react to the first 50-60% of the signal and the bypass valve (PCV-100) to react during the remaining portion of the signal. Some overlap is normal, ie: on a falling signal the engine speed may decrease to approximately 900 rpm before the bypass valve begins opening. As the suction pressure drops, the engine speed will respond by decreasing, followed by the bypass valve opening to maintain the suction pressure set point at PT-100. As described in the start sequence, once the unit is warmed up, the bypass control valve (PCV-100) PID and the engine speed controller (SS-229) PID are switched by the operator to automatic control.

Each compressor cylinder is a double acting design and the stg-1 and stg-2 cylinders are complete with a manually adjustable head end variable volume clearance pocket (VVCP). VVCP's enable the addition of clearance volume to the head end of the cylinder, reducing the volumetric efficiency and thus reducing the flowrate and load. The effect of adding clearance with the VVCP's is shown on the performance curves enclosed in the "PROCESS" section of this manual. Additional fixed clearance can be added to the cylinder by installation of spacer rings, valve spacers, or clearance plugs. The cylinders can also be operated in a non-acting or single acting mode by removing the suction valves from one end, or both the head and crank ends of the cylinder, to provide large increments of capacity control.

**CAUTION:** *The manufacturer should be consulted prior to removal of valves or changing any cylinders to a single acting mode to ensure sufficient rod reversals exist to provide lubrication, and also to ensure dynamic load limits are not exceeded. Severe damage to the equipment may result from improper loading configuration.*

### **3.0 COMPRESSOR**

The compressor is a Dresser-Rand 6HOS-4, three cylinder, balanced, horizontally opposed reciprocating gas compressor, s/n: 6HF854. The compressor crankshaft is forged alloy steel and has a 6.0" stroke, with a maximum rated operating speed of 1200 rpm. The package maximum speed limit is 1200 RPM and comes with a Metrix, non-indicating vibration transmitter, (VT-288) mounted on the compressor to shut the package down if any abnormal conditions occur that would cause excessive vibrations during operation. The compressor cylinder bore diameters and component serial numbers are specified in the following table and should be used for reference when ordering parts:

bore dia. (in)	stage #	type	crank throw	VVCP	MAWP (psig)	serial number
15.00" $\phi$	1	d/a	#1	yes	495	6HC2657
9.50" $\phi$	2	d/a	#2	yes	1265	6HC2658
balance	-	-	#3	-	-	-
6.00" $\phi$	3	d/a	#4	yes	1925	6HC2659

Each cylinder is double acting, the 15" cylinder contains Dresser-Rand "PF67" series plate type suction and discharge valves on both the head and crank end, the 9-1/2" cylinder contains Dresser-Rand "PF48" series valves, and the 6" cylinder also contains Dresser-Rand "PF48" valves. Process gas is admitted to the cylinder volume (at cylinder flange suction pressure) through the suction valves. As horizontal piston movement displaces volume in either the head end or crank end of a given cylinder, the pressure of gas contained within the cylinder by the compressor valves (acting as one way check valves) is increased to the discharge pressure of that stage, then is displaced through the discharge valve for the duration of the stroke. The cylinder castings are all nodular iron and gas cooled. All cylinder bores and pressure packings are force feed lubricated by a positive displacement injection system. The pistons are cast iron c/w combination rider bands/compression rings, piston rods are AISI 4142 annealed carbon steel c/w rolled threads and 8-18 RMS finish in the packing travel area. The cylinders are c/w standard single compartment distance pieces that are vented to the atmosphere (building eave) outside the compressor building (after passing through the Packing Vent & Drain Seal Pot, T-130).



Care should be taken when ordering replacement service parts for the compressor in that many common parts have been designed with special metallurgical consideration that may not be readily apparent. It is recommended that the operator familiarize himself with the compressor and its parts by reading the Dresser-Rand Instruction and Parts Lists located in Section 7 under the heading “Compressor” of this manual. To ensure the correct and genuine Dresser-Rand factory replacement parts and for authorized warranty service, Contact Propak Compression at 1-800-408-4434 or (403) 912-7000 (24 hours).

### **3.1 COMPRESSOR RUNNING GEAR LUBRICATION**

Long compressor service life and reliability is highly dependent on an adequate supply of clean lubricant. Please refer to the “Compressor” section of this manual for the manufacturer’s recommended crankcase lubricating oil specifications.

The compressor frame running gear (crankshaft main and connecting rod bearings, crossheads, pins and bushings) are lubricated by way of an integral positive displacement gear pump that is direct driven from the compressor crankshaft. The oil pump supply is drawn from the compressor crankcase sump (approximately 216 liter capacity) and circulated through a shell & tube type lube oil cooler (E-277) and 10 micron full flow oil filter assembly (F-250). The oil filter is equipped with a local differential pressure gauge (DPI-250), which is a canister type with a replaceable element and is frame mounted. A pipe plug is provided and the bottom of the filter housing to allow it to be drained. An externally adjustable oil pressure regulating valve (set @ approximately 414 kPag), and a non-adjustable pressure relief valve (set @ 620 kPag) are provided to maintain a constant oil flow and pressure, and to protect the equipment from overpressure. Cooled and filtered lube oil is returned to pressurize the main oil gallery at approximately 345 to 414 kPag. Lube oil temperature and pressure is continuously monitored by the unit control panel with low pressure shutdown protection set for 241 kPag falling, and high oil temperature shutdown protection set for 82°C rising. Locally mounted temperature gauges are also installed on the cooler inlet and outlet for indication.

A WILDEN, model T2, pneumatic diaphragm pump (P-276) is provided for timed and permissive prelube and timed postlube services. The unit control panel logic ensures

that the permissive has been satisfied before the “OK to Crank” signal is given. Timers are adjustable by programmed logic in the control panel, however they are preset and should require no adjustment. The pump is automatically activated from the control panel via a shuttle valve (SV-276). The compressor frame oil level is regulated by a Kenco LCE-9 automatic level controller (LC-270), c/w low oil level shutdown switch and level indicator. Clean crankcase lube oil is supplied from the 400 liter daytank (integral to the upper bridge crane rail) through a disposable, 17 micron spin on oil filter (F-270) that requires only annual replacement to ensure free flow to the level controller. A second pneumatically operated WILDEN T2 diaphragm pump (P-270), is included c/w barrel fill hose to facilitate refilling the overhead storage tank. Used crankcase oil is drained to an 800 liter waste oil storage tank located between the main skid members behind the compressor inside the building, through a manual gate valve.

**NOTE:** Compressor oil should be sampled and analyzed monthly to establish service intervals. The compressor oil filter should be serviced at every oil change.

### **3.2 COMPRESSOR CYLINDER AND PACKING LUBRICATION**

The compressor is equipped with a force-feed injection lubricator driven by the compressor main oil pump driveshaft. Oil is injected into the cylinder bore at high pressure to lubricate the piston rings and valves, and into the pressure packing to lubricate the piston rod and provide sealing oil for the packing rings. Each compressor cylinder has a top and bottom connection that enables lubricant to enter the cylinder bore, and a pressure packing lube oil feed connection. Excess cylinder lubricant is entrained in the discharge gas flow and a packing drain line enables excess packing oil to drain into the Packing Vent & Drain Seal Pot (T-130), which will periodically need to be drained into the on-skid waste oil storage tank (T-284). The system is a distributor block design which manifolds the individual pump outlets from the lubricator into a single master distributor block, and then divides the oil flow into two distribution blocks servicing the various cylinder bore and packing injection points. Stainless steel instrument tubing is used to direct the oil to from the distributor block to a check valve installed at each injection point, that prevents high pressure gas from bubbling back into the oil lines. Each injection pump in the lubricator box has an adjustable output, and by varying the effective plunger stroke, the pump displaces an increasing or

decreasing quantity of oil to the master distributor block. The total flow rate can be monitored by observing the cycle pin on the master distributor block or by counting the rate of oil drops visible in the sight glass of each individual pumping unit. A Manzel Lube Line Alert no-flow shutdown switch monitors the oil outlet flow from the pump manifold to the master distributor block and the control panel will shut down the unit if the switch senses a loss of oil flow. The cylinder lubricator oil supply is taken from the compressor crankcase oil supply line (downstream of the oil filter, F-250).

Compressor piston ring and valve life are dependent upon a supply of clean lubricant that is injected directly into the cylinder bore at high pressure. A properly lubricated cylinder will have a uniformly wetted bore when inspected through an open valve cover, and residual oil will not collect or form a pool in the lower part of the cylinder bore. Excessive cylinder oiling may cause discharge valve plate and spring damage. Likewise, injected lubricant is necessary for proper pressure packing sealing and service life. Insufficient packing lube will result in gas leakage into the distance piece, high temperatures, premature packing ring and piston rod wear. Prior to start up, ensure the lubricator box has an oil level visible in the sight glass. During initial commissioning or after an extended shutdown, each lubricator should be primed using the hand plunger and the tubing lines bled of entrapped air. Please refer to the “Compressor” section of this manual for a detailed description of the recommended service and maintenance to the lubricator injection pump system.

### **3.3 COMPRESSOR FRAME AND CYLINDER COOLING SYSTEM**

To minimize the formation of carbon deposits on the discharge valves, the maximum process gas temperature of lubricated cylinders should be kept below 163°C (325°F), a temperature that is well below the operating limits for the cylinder casting, piston, rings, and valve materials. High discharge temperatures often indicate the onset of a compressor valve failure. The discharge cylinder temperatures are monitored by the unit control panel logic. Alarm setpoints are set at 149°C (300°F) rising for each cylinder and shutdown setpoints are set at 163°C (325°F) rising.

Coolant flow through the tubeside of the compressor lube oil cooler (E-480) is manually regulated with a 1-1/2" globe valve. Locally mounted temperature gauges are provided on the inlet and outlet sides of the shell side of the cooler. The compressor lube oil cooler should be inspected for corrosion or fouling during annual or other major inspections. The cooler end bonnets can be removed for internal inspection and cleaning of the tubes. Proper treatment and maintenance of the auxiliary water system will prevent premature tube corrosion or fouling.

All cylinders are gas cooled, whereby most of the frictional heat and heat generated during the compression process is carried into the discharge gas stream. A smaller percentage of this heat energy is rejected to the atmosphere through the cylinder walls.

#### **4.0 ENGINE**

The compressor prime mover is a Waukesha L7042GL natural gas fueled engine (S/N: C-61856/1), with a rated maximum continuous load of 1478 bhp @ 1200 rpm. The engine is a heavy duty, V-12 cylinder, turbocharged and intercooled, four cycle overhead valve design. Refer to the engine manufacturer's detailed operation and service instructions located in "Engine" heading under Section 7 of this manual for detailed starting and maintenance procedures.

Always start the engine with the compressor start up bypass valves fully opened and allow a sufficient warm up period before loading the engine. The engine is equipped with a replaceable dry element air filter on each turbocharger inlet air housing, and the intake air piping system draws cool air from outside the building. A manually operated air diverter valve enables drawing (or mixing) warm air from the cooler discharge air plenum during cold seasons.

It is advisable to allow a brief cooling down period at 700-800 rpm with the compressor unloaded prior to stopping the engine. This will ensure the exhaust turbocharger and cylinder head temperatures are reduced and ultimately extend engine service life. Frequent emergency or rapid shutdowns at full load can result in overheating of the turbocharger shaft bearings as the cooling oil flow ceases, and coolant boiling inside the cylinder head jacket water passages resulting in thermal stress cracking of the cylinder head flame deck or exhaust valve ports. The unit control panel controls the

engine stop and start functions, pre-post lube cycle, and monitors the engine oil pressure, oil level, oil and water temperature, vibration, and high exhaust temperature shutdown switches. Engine speed (rpm) and total run time hours can be displayed on the unit control panel display screen.

#### **4.1 ENGINE LUBRICATION**

The engine main bearings, connecting rod bearings, piston pins, camshaft bearings, valvetrain, and other internal components are pressure lubricated from the main engine oil pump (P-250), which is gear driven from the engine crankshaft. Lubricating oil is circulated through the remote mounted shell & tube oil cooler (E-241) and the full flow oil filter (F-253). The oil filter is equipped with a local differential pressure gauge (DPI-253) and a removable end closure to facilitate service and removal of the filter elements. A 3-way thermostatic valve bypasses oil flow around the oil cooler during the engine warm up period to maintain the minimum recommended oil temperature. A pneumatic vane pump (P-226) is installed on the engine for timed and permissive prelube (PT-257 set @ 70 kPag ↑) & timed postlube services. The unit control panel logic ensures that the permissive switch has been satisfied at the expiration of the prelube timer before the "OK to Crank" signal is given. Timers are adjustable by programmed logic in the unit control panel, however they are pre-set and should require no adjustment. The pump is automatically activated from the control panel via a solenoid valve (SOV-228) to the engine shuttle valve.

The engine crankcase oil level is regulated by a Kenco LCE-27 automatic level controller (LC-262), c/w low oil level shutdown switch. Clean crankcase lube oil is supplied from the 400 liter daytank (integral to the upper bridge crane rail) through a disposable spin on oil filter (F-261) that requires only periodic replacement to ensure free flow to the level controller. Propak recommends frequent (monthly as a minimum) engine crankcase oil sampling and analysis to ensure no contamination of the lube oil exists. Engine oil is monitored with pressure and temperature transmitters, as well as local temperature indicators. Alarm and shutdown set points are programmed into the unit control panel to protect the engine. Engine oil filtration is handled with a primary and secondary filter. The primary filter (F-253) is remote mounted with differential pressure indicator (DPI-253) across the inlet and outlet of the filter. Filter elements are

to be replaced when the DPI reads 83 – 103 kPa (the oil pressure drop through new filters is 14 – 21 kPa). Refer to the engine parts booklet for element part numbers. The secondary filter is mounted on the inlet to the engine and serves as a final strainer, straining the oil prior to reaching the internal injection points. The strainer has a washable magnetic element.

A pneumatically operated WILDEN T2 diaphragm pump (P-260) is included c/w barrel fill hose to facilitate refilling the overhead storage tank. Used crankcase oil is drained to an 800 liter waste oil storage tank located between the main skid members behind the compressor inside the building (note, this a common waste oil tank for the entire skid), through a manual gate valve. Engine oil should be sampled and analyzed monthly to establish service intervals, not to exceed 720 hours. More frequent service intervals may be required if impurities are present in the fuel gas. The oil filter should be serviced at every oil change.

#### **4.2 DRIVE COUPLING**

The compressor crankshaft is directly coupled to the engine crankshaft using a Thomas CMR-700 flexible disk coupling (CPL-295). Care should be taken not to misalign or substitute drivetrain components that might alter the torsional or mass elastic properties of the system. The drive coupling can be accessed for service or inspection by removal of the coupling guard. Excessive vibration often results from coupling misalignment, broken or damaged coupling bolts or disks. Drive coupling misalignment can lead to premature engine and/or compressor main bearing failure, and may present a serious operating hazard from flying debris in the event of coupling failure. Immediately have the drive coupling and alignment inspected by a qualified serviceman if unusual vibrations are present or misalignment is suspected. The unit should be fully depressurized and engine starting and fuel gas systems positively shut off with locking valves prior to removal of the coupling guard and manually barring the engine.

**WARNING:** *Never operate the compressor without the coupling guard firmly secured to prevent personal injury or death from the rotating machine elements.*

### **4.3 ENGINE FUEL GAS SYSTEM**

Clean, dry fuel gas is to be supplied at site to the skid edge connection. The fuel gas supply pressure is to be regulated to 1034 kPag maximum pressure prior to entering the skid. A skid edge ball valve enables isolation of the entire fuel gas supply system. A fuel gas filter (F-220) has been provided and sized to remove 95% of particles in the gas, 0.1 microns and larger. Periodic inspection of the filter is required and replacement filter elements are readily available. Ensure the supply valve is fully closed, open the manual drain valve and verify the gas pressure has been fully depleted from the piping and vessel prior to inspecting or replacing the filter element.

A low pressure regulator supplies engine fuel gas at 172 kPag to the fuel gas shutoff valve (FCV-223) that is automatically opened by a solenoid valve in unit control panel. The fuel gas shutoff valve is a 'fail-safe' valve that will close on loss of power, ESD, or shutdown signal, and will vent residual fuel gas from the downstream side to the engine. The engine is equipped with a Fisher low pressure regulator for each cylinder bank at the carburetor fuel inlet (c/w engine). Please refer to the detailed operating description and service instructions for the fuel system, enclosed in the "Engine" section of this manual.

### **4.4 ENGINE STARTING MOTOR**

Sweet dry start gas is supplied to a skid edge connection, and can be isolated with a manual 2" ball valve, with an isolating ball valve to prevent accidental engagement of the starter motor while servicing the engine or compressor. Upon a crank signal from the unit control panel and following a satisfactory pre-lube cycle, a pilot valve (FCV-227) will open and gas will flow through the turbine type starter, a TDI TURBO TWIN model T112-60001-B1R pneumatic starter (STR-227). As the gas flows through the starter, the engine will begin to turn over. At an engine speed between 30 and 100 RPM, the ignition will be enabled, followed by the opening of fuel gas valve, FCV-223. As the cylinders begin to fire, the engine speed will increase. At an engine speed between 100 and 200 RPM, the crank signal will be disabled. A wye strainer is installed upstream of the starter, and should be frequently inspected to maximize the starter

motor service life. The starter motor gas is exhausted above the building eave through a 3" vent line.

#### **4.5 ENGINE EXHAUST SYSTEM**

The engine exhaust is routed outside the building from the turbocharger outlet using a stainless steel exhaust system with stainless steel expansion joints to allow for thermal expansion of the piping system. The tubing is specifically designed for exhaust system temperatures and flows, and has been insulated inside the compressor building with ceramic wool and aluminum cladding for personnel protection and to keep excess heat from radiating into the building on warm days. Care should be taken not to damage the outer cladding of the exhaust system when handling the exhaust piping. Never apply force or strain when reinstalling the piping to align the turbocharger flange bolts (excess strain will cause distortion of the housing and premature turbocharger failure). Consult the manufacturer's detailed operating and service instructions enclosed in the "Engine" section of this manual. The package is equipped with a Silex model JAT-14 'critical' grade exhaust silencer (KS-225), located near the air cooler on a separate structural steel support, to provide the maximum attenuation of exhaust noise. The lower head of the silencer has a drain plug that can be opened to drain any accumulated water if the unit has been (or will be) shut down for an extended period. Engine exhaust temperatures are monitored by an Altronic digital pyrometer located in the control panel.

#### **4.6 ENGINE ELECTRICAL CONTROLS:**

The engine electrical controls consist of Waukesha Custom Engine Controls, Ignition Module and Detonation Sensing Modules. The detonation sensing module monitors cylinder firing and can adjust the individual cylinder timing to improve fuel economy and protect the engine against miss-firing, pre-ignition, etc. There is an alarm and shut down switch to prevent any damage to the engine in the event of excessive detonation.

#### **4.7 ENGINE PRE-LUBRICATION**

Both the engine and compressor are pre-lubricated prior to each startup and post lubricated following a shutdown. The engine pre-lube pump consists of a lubricator and



a gear pump, driven by an instrument gas motor. The lubricator needs to be filled manually with oil, prior to start up and checked periodically, between start-ups. Engine pre-lube is enabled by a PLC signal to energize solenoid valve, SOV-228, and the engine oil system is pressured up. The engine pre-lube cycle is satisfied once the timer expires, initially set for 1 minute at the time the package was built.

#### **4.8 ENGINE COOLING SYSTEM:**

The engine Jacket Water system is designed to cool the engine block, and has local temperature indicators mounted on the piping. The auxiliary water system provides cooling to the engine turbocharger inter-cooler, engine lube oil and compressor lube oil. The auxiliary water also has local temperature indicators installed to the piping system. The glycol surge tank, T-235A/B, provides adequate expansion for each water system, as well as having low-level shutdown switches mounted to maintain adequate water volumes for cooling.

#### **5.0 AIR COOLER ASSEMBLY**

A Propak model 1-SV-1-156-312-F process cooler assembly is installed on a separate skid to provide intercooling and aftercooling of the process gas downstream of each stage of compression, as well as glycol cooling for the Engine Jacket Water and Auxiliary Water systems. The cooler is a sloped vertical bundle, forced draft fin tube design with a Moore class 5000 model 60ED-VT 13' (156") diameter, 11 blade aluminum fan. The fan is belt driven via a jackshaft assembly from the engine crankshaft front pulley. The jackshaft transmits power to the fan sheaves and is mounted below the skid floor grating on sealed, self aligning pillow block bearings. The cooler fanshaft bearings and jackshaft bearings have grease connections that require periodic service; while idler sheaves enable adjustment of the drive belt tension. The fan blade pitch can be manually adjusted by loosening the u-bolts that fasten the blade shaft to the fan hub, rotating the blade to the desired angle (maximum pitch is 15°), and re-torquing the u-bolts to the specified value. These should be set and maintained within the cooler manufacturer's specified limits to ensure adequate cooling air flow and prevent overstressing the blades. The torque of the fan blade mounting u-bolts should be checked at routine service intervals to ensure they remain properly tensioned.

Access to inspect and service the fanshaft is by a mandoor installed on the cooler structure.

The fan blades are installed on the drive hub using a clevis arrangement to enable blade pitch adjustment. Access to inspect and service the drive belt is by a removable guard. Mesh bug screen frames are affixed to the front of the cooler air inlet louver frame to facilitate removal for cleaning. Please refer to the “Cooler” section of this operating manual for manufacturer detailed operating and service specifications.

A Murphy VS2 vibration switch (VSH-225) is mounted on the cooler frame structure. In the event of a broken fan blade, or similar failure, the switch will trip and cause the unit control panel logic to shutdown the unit.

**WARNING:** *To avoid serious personal injury or death, never operate the compressor without the fan guard firmly secured to the cooler structure, and never allow any persons to enter the cooler fan structure while the compressor is operating. Prior to entering the cooler structure for inspection or service, always ensure the cooler fan motor starter is positively locked out to prevent accidental or inadvertent engagement of the fan.*

## **5.1 PROCESS GAS COOLING SYSTEM**

Individual process gas cooling coils (AC-210, AC-211, AC-212) are installed downstream of each stage of compression, c/w SA-249 welded steel tubes and post weld heat treatment of the header box assemblies. The gas cooler headers are pressure vessels with Canadian Registration Numbers and ASME “U” stamps. Each header nameplate provides relevant material and design information and although the vessel requires no specific maintenance, the owner is responsible to undertake a corrosion surveillance program (usually by ultrasonic NDE inspection) and periodic internal inspection and cleaning as required.

**CAUTION:** *Gas cooler headers are heat treated pressure vessels. Never apply a flame heat source, strike an electric arc, or otherwise weld directly to the vessel wall.*

Automatic louvers are provided on each gas coil, c/w individual Kimray model T-12 temperature controllers (TC-210, TC-211 and TC-220) installed at each cooler outlet nozzle. The temperature controllers each sense the process cooler discharge temperature for each stage, which then operates individual discharge air louvers over each process gas cooling section. The normal design gas discharge temperature range is 100°-120°F.

## **5.2 ENGINE JACKET WATER COOLING SYSTEM**

The engine jacket water system absorbs heat from the engine block and cylinder heads and rejects it to the atmosphere through the engine jacket water fintube coil (AC-230). Coolant flows out of the cooler at 71°C, is circulated by the engine jacket water pump, and a high temperature shutdown switch (TE-233) set at 93°C.↑ protects the system from overheating. The primary temperature control is the thermostat installed on the jacket water outlet manifold of the engine, and manually adjustable aluminum louvers are provided on the fintube cooling coils.

A jacket water surge tank allows for thermal expansion of the coolant and system make up, c/w a visual sight glass and 7 psig pressure cap that vents to the atmosphere. A liquid level switch (LS-230) will annunciate a shutdown at the unit control panel in the event of low coolant level. When refilling the system, first ensure the surge tank pressure cap is removed to vent any entrapped air from the system. The recommended coolant is an inhibited 50% mixture of water and ethylene glycol, and should be sampled and analyzed semi-annually to ensure purity and existence of corrosion inhibiting additives.

## **5.3 AUXILIARY JACKET WATER COOLING SYSTEM**

The auxiliary jacket water system absorbs heat from the engine turbocharger aftercooler, engine lube oil cooler and compressor lube oil cooler, and rejects it to the atmosphere through the auxiliary jacket water fintube coil (AC-220). Coolant flow out of the cooler at 54°C. is circulated by the engine auxiliary water pump. Temperature control is by the manually adjustable aluminum louvers are provided on the fintube cooling coils.

pulsation bottle to prevent foreign matter from entering the compressor cylinders. These screens are to be removed for inspection and cleaning at the first (500 hour) service interval. Although these screens are often considered to be temporary “start up” screens, we recommend leaving the screens installed permanently. As part of a regular maintenance program, these screens should be periodically removed and any accumulated debris removed from the piping and screen. The pulsation bottles are pressure vessels with Canadian Registration Numbers and ASME “U” stamps. Each vessel nameplate provides relevant material and design information, and will state the design corrosion allowance (0.1250”). The vessel requires no specific maintenance, however the owner is responsible to undertake a corrosion surveillance program (usually by ultrasonic NDE inspection) and periodic internal inspection and cleaning as required.

***CAUTION:*** Pulsation bottles are heat treated pressure vessels. Never apply a flame heat source, strike an electric arc, or otherwise weld directly to the vessel wall

## **7.0 INLET GAS SCRUBBERS**

A vertical inlet gas scrubber (V-100, V-110, and V-120) is provided upstream of each stage of compression, utilizing a non-replaceable stainless steel mesh pad demister element to remove any free liquid droplets prior to entering the compressor. Each gas scrubber has been fitted with a liquid level sight glass, 1” npt manual drain valve, 1” npt automatic drain, 1-1/2” pneumatic liquid level controller and a high liquid level switch or level transmitter. The high liquid level shutdown function is hard wired to the unit control panel. The scrubber manual drain valves should be opened periodically to blow out any sediment that might collect at the bottom of the vessel, and should be opened to fully depressurize the vessel prior to servicing any of the scrubber controls. The level sight glass should also be periodically blown down to keep the gauge glass clear and prove the connections. The Inlet gas scrubbers are pressure vessels with Canadian Registration Numbers and ASME “U” stamps. Each vessel nameplate provides relevant material and design information, and will state the design corrosion allowance (0.1250”). The vessel requires no specific maintenance, however the owner is responsible to undertake a corrosion surveillance program (usually by ultrasonic NDE inspection) and periodic internal inspection and cleaning as required.

A jacket water surge tank allows for thermal expansion of the coolant and system make up, c/w a visual sight glass and 7 psig pressure cap that vents to the atmosphere. A liquid level switch (LS-220) will annunciate a shutdown at the unit control panel in the event of low coolant level. When refilling the system, first ensure the surge tank pressure cap is removed to vent any entrapped air from the system. The recommended coolant is an inhibited 50% mixture of water and ethylene glycol, and should be sampled and analyzed semi-annually to ensure purity and existence of corrosion inhibiting additives.

#### **5.4 AIR RECIRCULATION SYSTEM**

A cooler air recirculation system is installed on the cooler fan structure that enables the warm discharge airflow to be re-directed over the face of the cooler and back to the fan inlet at low ambient temperatures. This system is designed to minimize the risk of hydrate formation or condensed water freezing off the gas coil tubes in cold weather. A Fisher temperature controller automatically opens or closes the recirculation louvers. Nylon mesh bugscreens are affixed to velcro strips on the face of the cooler fanguard to facilitate removal for cleaning. Removable shoulder plugs with gaskets are installed in the outside of the gas header boxes (plug sheets) that can be removed to inspect or clean the tubes, tapered npt plugs are used in the jacket water headers. Please refer to the "Cooler" section of this operating manual for the manufacturer's detailed operating and service specifications.

#### **6.0 PULSATION BOTTLES**

Gas pulsation bottles (V-121, V-122, V-123, V-124, V-125 and V-126) are installed on the suction and discharge of each compressor cylinder, and are acoustically designed to limit induced vibration by dampening gas pulsation to acceptable levels. These vessels are constructed from carbon steel and contain internal choke tubes. The pulsation bottles have no adjustable controls or instruments. The pulsation bottles should be removed for visual internal inspection through the inlet and outlet process gas nozzles or through the supplied inspection connection. A plugged drain connection is installed on the lowest point of the discharge pulsation bottles. Suction screens (stainless steel mesh over a carbon steel cage) are installed upstream of each inlet

**CAUTION:** *Inlet gas scrubbers are heat treated pressure vessels. Never apply a flame heat source, strike an electric arc, or otherwise weld directly to the vessel wall.*

## **8.0 PRESSURE PIPING SYSTEM**

The on-skid process pressure piping system is designed and fabricated in accordance with ANSI B31.3 specifications, and applicable Provincial codes and standards. Process piping connections terminate at the skid edge.

A 60mm 300# RF x 89mm 150# RF, spring operated, pressure safety relief valve (PSV-200) is provided on the discharge of stage one. The car sealed lockwire on the PSV must be intact to indicate the setpoint (3412 kPag) has not been adjusted or tampered with. The PSV should be cleaned and reset periodically to ensure reliable operation in the event of equipment failure.

A 48mm 600# RF x 60mm 150# RF, spring operated, pressure safety relief valve (PSV-420) is provided on the discharge of stage two. The car sealed lockwire on the PSV must be intact to indicate the setpoint (8720 kPag) has not been adjusted or tampered with. The PSV should be cleaned and reset periodically to ensure reliable operation in the event of equipment failure.

A 48mm 900# RF x 73mm 300# RF, spring operated, pressure safety relief valve (PSV-420) is provided on the discharge of stage two. The car sealed lockwire on the PSV must be intact to indicate the setpoint (11377 kPag) has not been adjusted or tampered with. The PSV should be cleaned and reset periodically to ensure reliable operation in the event of equipment failure.

The PSV outlets are manifolded to a 114mm 150# RF high pressure vent header that terminates at the skid edge.

An automatic, 33mm 900# RF, control valve (PCV-100) is provided to bypass from the after-cooler to the initial suction. The bypass control valve is controlled from the unit control panel.

A manual ball valve for start up bypass is also provided on the stg-3 discharge to stg-1 suction line. This start up bypass valve should be fully opened prior to starting the unit.

The process gas piping system also contains one manual depressurization (blowdown) valve installed on the stg-3 discharge system and an automatic blowdown valve (ESDV-101). When opened, the manual blowdown valve will fully depressurize the unit by venting gas to the high pressure vent header.

**WARNING:** *Always verify that the unit has been purged and fully depressurized prior to servicing any pressure containing components.*

## **9.0 LOCAL COMPRESSOR PLC CONTROL PANEL**

The compressor unit has an on-skid Allen-Bradley programmable logic control (PLC) panel, built by Propak Systems Ltd., which utilizes an Allen-Bradley SLC 5/04 1747-L542B processor and a color Quick Panel Junior Touch-Screen operator interface. The PLC will perform automatic control for the engine speed, and capacity control bypass valve, as well as unit start-up and shutdown control and provide local operator interface of the unit.

The PLC input cards accept discrete (on/off) non-incendive inputs from local skid shutdown switches and accepts and displays analog inputs from locally mounted pressure transmitters, temperature elements (thermocouples) and vibration transmitters. When the PLC logic circuitry senses a fault input from one of the transmitters, it will initiate a unit alarm and will initiate a shutdown by grounding the ignition and closing the engine fuel gas valve. The Quick Panel display will display all alarm and shutdown status, and annunciate the “first out” channel until cleared by the operator. Each of the discrete input channels can be configured as class A, B, b, or C. There is one mode of shutdown described as “ESD”.

The “ESD” mode is the Emergency shutdown mode where the compressor is shutdown and depressurized. The “ESD” mode will occur if the local “ESD” button on the PLC panel is depressed, the local “ESD” button at either entrance to the building, a remote

ESD signal is received from the Plant PLC, any other shutdown listed on the shutdown key in Appendix “A” occurs, or if the power fails.

Class “A” inputs are the most critical inputs. They are always monitored and never bypassed, even when the machine is stopped. Class “A” shutdowns initiate a shutdown immediately and will prevent start-up.

Class “B” inputs become healthy during start-up, such as oil flow and vibration. During the Class “B” timer, these inputs are individually monitored as they become healthy. After the Class “B” timer expires, all Class “B” inputs are monitored.

Class “b” inputs are inputs that must become healthy a short period after start-up, such as lube oil pressure. They are monitored only after the Class “b” timer expires.

Class “C” inputs are individually monitored as they become healthy (e.g. rise above the “falling” setpoint) for the first time. No timer is associated with Class “C” inputs.

Refer to the “ELECTRICAL” section of this manual (SECTION 9) for compressor panel details.

## **9.1 AUTOMATIC MODE**

Compressor suction pressure is monitored via pressure transmitter (PT-100) at the inlet to the compressor. This signal is used by the PLC to control the engine speed (I/P-219), and the bypass pressure control valve (PCV-100). The goal is to maintain a constant suction pressure. Under normal operating conditions, the engine is running at full speed (1200 RPM) and PCV-100 fully closed. As the suction pressure drops, the engine speed will respond by decreasing, followed by the bypass valve opening to maintain the suction pressure set point at PT-100. As described in the start sequence, once the unit is warmed up, the bypass control valve (PCV-100) PID and the engine speed controller (SS-229) PID are switched by the operator to automatic control.



## **9.2 MANUAL MODE**

The engine speed (SIC-229) can be manually controlled, if desired, by calling up the PID screen on the Quick Panel display for the engine speed and pressing the “manual” mode soft key. The driver speed may be varied by changing the controller output via the soft-keys on the Quick Panel display. The output (0-100%) is displayed on the screen while the speed is being manually adjusted. When the control is returned to the “automatic” mode, the engine speed will return to its automatic control set point position in a smooth “bump less” transfer.

The bypass control valve (PCV-100) can be manually controlled, if desired, by calling up the PID screen on the Quick Panel display for the bypass valve and pressing the “manual” mode soft-key. The bypass control valve position may be varied by changing the controller output via the soft-keys on the Quick Panel display. The PID output (0-100%) is displayed on the screen while the valve is being manually operated. When the control is returned to the “automatic” mode, the bypass control valve will return to its automatic PID control set point position in a smooth “bump less” transfer.

## **9.3 QUICK PANEL OPERATOR INTERFACE**

See Appendix “A” for HMI flow sheet.

## **10.0 COMPRESSOR PACKAGE START UP SEQUENCING AND CONTROL LOGIC**

The following procedure outlines only the basic steps required prior to a routine cold start of the unit. It is assumed the operator is familiarized with the equipment and has thoroughly read the manufacturer’s operating and safety instructions for each piece of equipment that forms the compressor package. A qualified compressor technical service representative or field engineer should be present when starting the unit for the first time or after an extended shutdown period.

**Prior to following the instructions below, the “Compressor Start-Up Check List” and “After Start-Up Check List” from Appendix “A” must be read and**

**understood.** It is recommended that a photocopy of the checklists in Appendix “A” be made in order that a “clean” copy is available at all times.

### **10.1 CONTROL PANEL PRE START CHECKS**

Before attempting to start, the operator must ensure that all shutdown devices on the compressor skid are cleared. The Modicon “pull to start” ESD buttons locally mounted on the engine, must both be pulled out. These buttons should only be pressed in an Emergency situation, because manual intervention to pull them out again, prior to the next start, is required. DO NOT use these buttons to stop the engine, if there is no emergency, as this is not the normal shut down sequence. Confirmation that all shutdowns have been cleared, can be achieved by viewing the Quick Panel “Compressor Start” screen, where if all shutdowns are clear a “No shutdowns present” message will be displayed. The final discharge to stage 1 suction automatic bypass control valve (PCV-100) is in the open position at this point.

### **10.2 START UP - COMPRESSOR**

Press the “START” button and the following startup sequence will occur as displayed in the “Compressor Start” screen (provided no shutdowns are present and the engine is ready, i.e. no Plant ESD):

- A) The Quick Panel screen will change to the compressor start screen and the engine speed and bypass valve will automatically be switched to manual control.
- B) Once a manual purge and pressurization has been completed the “Purge CMPLT” soft key should be pressed to confirm that the purge was completed (once this button has been pushed it will disappear).
- C) The engine and compressor prelube cycle is started. The prelube and postlube timers are configurable through the Quick Panel.
- D) Once the prelube timer has expired and the compressor oil pressure (PT-281) is satisfactory the engine will begin to crank (energize SOV-223).
- E) Upon a satisfactory pre-lube, the start sequence continues on to the engine crank cycle.

### 10.3 ENGINE START SEQUENCE

#### ENGINE CRANK CYCLE:

- A) Engine speed control is set by the PLC for manual control to IP-219 at 700 RPM.
- B) Signal sent from PLC to energize SOV-223 which opens the engine start valve, FCV-223. Flow of gas to the starter, STR-227 begins to crank the engine.
- C) At an engine speed of 50 to 100 RPM, a signal is sent from the PLC to: enable the engine ignition system and energize SOV-223. Energizing SOV-223 opens the fuel gas valve, FCV-223 and fuel gas flows to the engine carburetor.
- D) At an engine speed of 200 - 400 RPM, the crank cycle is satisfied and disabled (reset). Upon closing start gas valve, control gas is vented to atmosphere in the cooler plenum.
- E) The engine will ramp to minimum operating speed of 700 RPM, as controlled by the output to IP-219
  - 4mA = 3 psig = 700 RPM
  - 20mA = 15 psig = 1200 RPM
- F) SS-229 counts the flywheel teeth (208) and this frequency is converted to an analog signal for the PLC to read.
- G) At this point the warm up cycle starts, engine speed will be at minimum and the recycle valve will be fully open. This feature can be bypassed, if the unit is already warm. When the warm-up timer is timing, manual engine speed control will be disabled.
- H) Upon completion of the warm-up cycle, the bypass valve and engine speed will be set to auto control as described below, and the engine speed will be ramped up to 1200 RPM automatically. An auto-manual loading option is available in the local PLC control panel for the operator to disable the automatic signal and manually operate the capacity control bypass valve (see 9.2 “Manual Mode”, page 26).

***WARNING!*** To prevent explosion, always ensure the compressor cylinders, piping system and vessels are fully purged of any entrapped air prior to starting.

## **11.0 COMPRESSOR STOP AND SHUTDOWN SEQUENCING**

### **11.1 COMPRESSOR STOP**

The compressor unit can be stopped normally, via the “compressor stop” soft key on the PLC Quick Panel display. During a normal stop sequence; the engine speed will ramp down to 700 RPM, the compressor will be unloaded with PCV-100 slowly opening, and the cool down timer will start, for 5 minutes (adjustable). Upon completion of the cool down cycle: a signal from the PLC will be sent to de-energize SOV-223, closing the engine fuel gas valve (FCV-223); the ignition will be disabled two to three seconds later, and the engine will start to slow down; the post lube cycle will start. The delay in ignition disabling allows the fuel to burn off. The post lube cycle operates the engine and compressor pre/post lubrication pumps for an adjustable time period, set initially for 2 minutes. The pumps will stop at the conclusion of the post-lube cycle, and the unit will remain pressurized until the unit is either restarted or the auto-blowdown timer expires, at which point, PCV-100 fails closed and the unit is automatically depressurized as ESDV-101 opens.

### **11.2 COMPRESSOR SHUTDOWN**

The PLC will initiate a shutdown sequence automatically if a discrete or analog shutdown setpoint is tripped. The shutdown sequence will follow the same steps as the compressor stop cycle described above.

### **11.3 COMPRESSOR ESD OR PLANT ESD**

The compressor emergency shutdown (ESD) is activated either locally via the ESD pushbutton on the PLC cabinet, either ESD pushbutton located at the entrance to the building, via a hard-wired ESD signal from the separate remote main plant PLC, or if there is a power failure. The ESD sequence is an emergency situation and will follow the same steps as the compressor stop cycle described above, with the following exceptions:

- The engine and compressor post-lube oil pump cycle will not start.
- The automatic blow down sequence will be initiated immediately.
- There will be no cool down cycle.

Integral timers and explosion proof output relays control the system purge, pre/post lube oil pumps, engine fuel gas valve, automatic blowdown valves, ignition system ground, and starter motor crank valve.

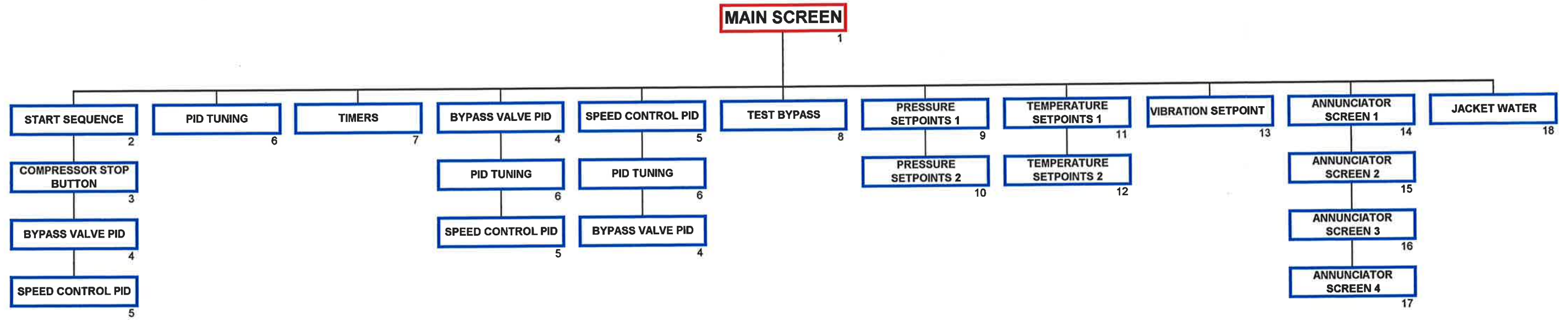
**12.0 MAJOR COMPONENT SERIAL NUMBER RECORD**

Item #	Component Description	Manufacturers Serial number
1	Waukesha L7042 GL gas engine	C-61856/1
2	Dresser-Rand 6-HOS-4 compressor frame	6HF854
3	Dresser-Rand 15.00" $\phi$ stage 1 cylinder	6HC2657
4	Dresser-Rand 9.50" $\phi$ stage 2 cylinder	6HC2658
5	Dresser-Rand 6.00" $\phi$ stage 3 cylinder	6HC2659
5	Stage 1 inter-cooler section (AC-210)	99420-333
6	Stage 2 inter-cooler section (AC-211)	99420-332
7	Stage 3 inter-cooler section (AC-212)	99420-331
8	Jacket Water section (AC-220)	99420-235
9	Auxiliary Water section (AC-230)	99420-234
10	Control Panel	99420-107
11	V-100 1 <sup>st</sup> Stage Suction Scrubber	99420-101
12	V-110 2 <sup>nd</sup> Stage Suction Scrubber	99420-102
13	V-120 3 <sup>rd</sup> Stage Suction Scrubber	99420-103
14	V-121 1 <sup>st</sup> Stage Suction Pulsation Bottle	99420-104
15	V-122 1 <sup>st</sup> Stage Discharge Pulsation Bottle	99420-105
16	V-123 2 <sup>nd</sup> Stage Suction Pulsation Bottle	99420-106
17	V-124 2 <sup>nd</sup> Stage Discharge Pulsation Bottle	99420-107
18	V-125 2 <sup>nd</sup> Stage Suction Pulsation Bottle	99420-108
19	V-126 2 <sup>nd</sup> Stage Discharge Pulsation Bottle	99420-109

**13.0 APPENDIX “A”**

# HMI FLOW SHEET

Apache Canada Limited - Job#99420





## LOCAL PLC - ALARMS / SHUTDOWNS PROPAK JOB # 99420

Description	Device Location	Device Tag Number	Device Make/Model	Device Type	Alarm Setpoint	Shutdown Setpoint	Class
<b>PRESSURE SET POINTS</b>							
Stage 1 LOW suction pressure	STG 1 S	PT-100	Wika 892.23.510	analogue	345 kPag, F	172 kPag F	C
Stage 1 HIGH suction pressure	STG 1 S	PT-100	Wika 892.23.510	analogue	1380 kPag, R	1520 kPag, R	A
Stage 1 HIGH discharge pressure	STG 1 D	PT-210	Wika 892.23.510	analogue	2900 kPag, R	3070 kPag, R	A
Stage 2 HIGH discharge pressure	STG 2 D	PT-211	Wika 892.23.510	analogue	6970 kPag, R	7800 kPag, R	A
Stage 3 HIGH discharge pressure	STG 3 D	PT-212	Wika 892.23.510	analogue	9200 kPag, R	10200 kPag, R	A
Stage 1 HIGH differential pressure	STG 1	LOGIC	programmed	LOGIC	2100 kPag, R	2300 kPag, R	A
Stage 2 HIGH differential pressure	STG 2	LOGIC	programmed	LOGIC	5450 kPag, R	5600 kPag, R	A
Stage 3 HIGH differential pressure	STG 3	LOGIC	programmed	LOGIC	7580 kPag, R	8270 kPag, R	A
Engine Oil LOW pressure	engine mount	PT-257	Wika 892.13.500	analogue	172 kPag, F	138 kPag, F	B
LOW Compressor Oil Pressure	Local	PT-281	Wika 892.13.500	analogue	241 kPag, F	276 kPag, F	B
<b>TEMPERATURE SETPOINTS</b>							
Stage 1 HIGH suction temperature	STG 1 SUCT	TE-100	ATS Alltemp AI-8113	analogue	50°C, R	60°C, R	A
Stage 1 HIGH discharge temperature	V-122	TE-122A/B	ATS Alltemp AI-8113	analogue	149°C, R	163°C, R	A
Stage 2 HIGH suction temperature	STG 2 SUCT	TE-110	ATS Alltemp AI-8113	analogue	70°C, R	80°C, R	A
Stage 2 HIGH discharge temperature	V-124	TE-124	ATS Alltemp AI-8113	analogue	149°C, R	163°C, R	A
Stage 3 HIGH suction temperature	STG 3 SUCT	TE-120	ATS Alltemp AI-8113	analogue	70°C, R	80°C, R	A
Stage 3 HIGH discharge temperature	V-126	TE-126	ATS Alltemp AI-8113	analogue	149°C, R	163°C, R	A
Engine JW HIGH temperature	engine mounted	TE-233	-	analogue	88°C, R	93°C, R	A
Engine Oil HIGH temperature	engine mounted	TE-254	-	analogue	90°C, R	96°C, R	A
Engine Manifold (RHS) HIGH temperature	engine mounted	TE-271A	-	analogue	63°C, R	66°C, R	A
Engine Manifold (LHS) HIGH temperature	engine mounted	TE-271B	-	analogue	63°C, R	66°C, R	A
Compressor HIGH oil temperature	Local	TE-281	ATS Alltemp AI-8113	analogue	77°C, R	82°C, R	A
<b>VIBRATION SET POINTS</b>							
Compressor Vibration	Comp	VT-288	METRIX 5484C-123	analogue	1.2 ips	1.5 ips	B
Drive Motor Vibration	Motor	VT-205	METRIX 5484C-123	analogue	1.2 ips	1.5 ips	B
Cooler Vibration	Cooler Fan	VSH-225	MURPHY VS2EX	discrete	-	field set	B



## LOCAL PLC - ALARMS / SHUTDOWNS PROPAK JOB # 99420

Description	Device Location	Device Tag Number	Device Make/Model	Device Type	Alarm Setpoint	Shutdown Setpoint	Class
<b>OTHER SHUT DOWN SWITCHES</b>							
Emergency Shutdown	PLC		Red Button	descrete	-	PUSH BUTTON	A
REMOTE SHUTDOWN	INPUT TO PLC	REMOTE CONTROL	TERMINAL	descrete	-	PLANT CONTROL	A
Stage 1 Level Shutdown HIGH	V-100	LIT-100	Rosemount 3051CD	descrete	-	on high level	A
Stage 2 Level Shutdown HIGH	V-110	LSH-110	Murphy 1100-SS	descrete	-	on high level	A
Stage 3 Level Shutdown HIGH	V-120	LSH-120	Murphy 1100-SS	descrete	-	on high level	A
Seal Pot Level Shutdown HIGH	V-130	LSH-130	Murphy 1100-SS	descrete	-	on high level	A
Engine JW Level Shutdown LOW	T-235A	LSL-235A	Murphy 1111	descrete	-	on low level	A
Engine AW Level Shutdown LOW	T-235B	LSL-235B	Murphy 1111	descrete	-	on low level	A
Compressor Crankcase LOW oil Level	Compressor	LSL-270	Kenco LCE 9	descrete	-	on low level	A
Compressor Cylinder No Flow Lube Oil	Lubricator	FSL-289	Manzel Lube Line Alert, P/N: M928	descrete	-	upon no flow	B
Engine Crankcase LOW oil Level	Engine	LSL-262	Kenco LCE 27	descrete	-	on low level	A
Engine Speed, LOW	Engine	SS-229	Dynalco P/N: M928		730 RPM, F	700 RPM, F	B
Engine Speed, HIGH	Engine	SS-229	Dynalco P/N: M928		1275 RPM, R	1320 RPM, R	B

**NOTE:** Setpoints are based on Design Point performance (see "Performance" section of the Operation & Maintenance manuals). These setpoints are for compressor protection against such conditions as valve failure or exceeding rod load limits. Should a shutdown occur, please consult the compressor operating manual and/or contact a Propak Compression service representative @ 1-800-408-4434 or (403) 912-7000.

**COMPRESSOR START-UP CHECK LIST**

Customer: \_\_\_\_\_ Start-up Date: \_\_\_\_\_  
 Propak Unit No. \_\_\_\_\_ LSD: \_\_\_\_\_  
 Serviceman: \_\_\_\_\_ Location: \_\_\_\_\_  
 Customer Contact: \_\_\_\_\_ Contact Phone: \_\_\_\_\_  
 Customer Unit No.: \_\_\_\_\_ Contact Fax: \_\_\_\_\_  
 Compressor Model: \_\_\_\_\_ Frame Serial No.: \_\_\_\_\_  
 Cylinder Serial No: 1: \_\_\_\_\_ 2: \_\_\_\_\_ 3: \_\_\_\_\_ 4: \_\_\_\_\_ 5: \_\_\_\_\_ 6: \_\_\_\_\_  
 Cylinder Size No. 1: \_\_\_\_\_ 2: \_\_\_\_\_ 3: \_\_\_\_\_ 4: \_\_\_\_\_ 5: \_\_\_\_\_ 6: \_\_\_\_\_  
 Compressor Crankcase Lube Oil : \_\_\_\_\_ Cylinder Lube Oil: \_\_\_\_\_  
 Driver Make: \_\_\_\_\_ Model: \_\_\_\_\_ Spec: \_\_\_\_\_  
 Rated RPM: \_\_\_\_\_ Engine Lube Oil: \_\_\_\_\_ Coolant Type: \_\_\_\_\_

**PRIOR TO STARTING**

	<b>YES</b>	<b>NO</b>
1. Do you have parts books, instruction manual, special tools & spares?	_____	_____
2. Check compressor design limitations such as rod loads, speed, discharge pressures and temperatures. Determine what operating conditions are.	_____	_____
3. Determine the design operating conditions: Suction Pressure: _____ PSIG Suction Temp.: _____ Discharge Pressure: _____ PSIG Discharge Temp.: _____ Maximum RPM: _____ Minimum RPM: _____	_____	_____
4. Ensure unit is properly supported. Piles properly shimmed & welded on at least two sides	_____	_____
5. Have the driver feet been shimmed so unit is not twisted? Record pulldown readings. _____ _____	_____	_____
Cooler End _____ _____		
6. Have the compressor feet & crosshead guide supports been shimmed so the machine is not twisted or bent? Record pulldown readings _____ _____	_____	_____
Coupling End _____ _____		
7. Check crosshead clearances on all corners.	_____	_____
8. Record minimum crosshead clearances: _____ _____		
1.                      2.                      3.                      4.                      5.                      6.		

9. Check & record inboard outboard piston rod runout.

Throw 1.	Throw 2.	Throw 3.	Throw 4.	Throw 5.	Throw 6.
IN _____	IN _____	IN _____	IN _____	IN _____	IN _____
OUT _____	OUT _____	OUT _____	OUT _____	OUT _____	OUT _____

**YES** **NO**

10. Have the scrubbers, piping & supports been checked for any pulling or twisting?

Comments: \_\_\_\_\_  
 \_\_\_\_\_  
 \_\_\_\_\_  
 \_\_\_\_\_

\_\_\_\_\_

11. Have the coupling bolt torque's been checked?

\_\_\_\_\_

12. Check & record coupling alignment. (Maximum allowable .005 TIR)

**RECORD INITIAL COLD INDICATOR READINGS HERE**

_____	_____
FACE	RIM
_____	_____
Crankshaft End Play	
_____	_____

13. Check & record piston clearances:

Throw 1.	Throw 2.	Throw 2.	Throw 3.	Throw 4.	Throw 5.	Throw 6.
HE _____	HE _____	HE _____	HE _____	HE _____	HE _____	HE _____
CE _____	CE _____	CE _____	CE _____	CE _____	CE _____	CE _____

14. Ensure proper oil is being used with regard to ambient temp., special gases or other extreme conditions.

Comments: \_\_\_\_\_

\_\_\_\_\_

15. Fill oil levels, prime filters, prime lubricator lines to cylinders & packing.

16. Install all shipped loose gauges, floats (if applicable)

16. Are the crankcase oil level controllers working, set to proper level & supply open?

17. Does the oil level shutdowns work?

18. Is the low oil pressure shutdown installed and tubed correctly to downstream side of the filter?

19. Does the low oil pressure shutdown work?

20. Does the force feed lube shutdown work?

\_\_\_\_\_  
 \_\_\_\_\_  
 \_\_\_\_\_  
 \_\_\_\_\_  
 \_\_\_\_\_  
 \_\_\_\_\_  
 \_\_\_\_\_

- |  |                   |                  |
|--|-------------------|------------------|
| <p>21. Check lubricator blowout disc. &amp; set lubricator pumps to ¾ pump stroke.</p>   | <p>_____</p>      | <p>_____</p>     |
| <p>22. Has the cooler section been checked for twisting, proper footing &amp; pull downs?</p>  | <p>_____</p>      | <p>_____</p>     |
| <p>23. Are the cooler louvers free and have full travel with the actuators?</p>  | <p>_____</p>      | <p>_____</p>     |
| <p>24. Is the fan pitch set to desired angle? (_____ Deg.) Torque blades &amp; hub.</p>  | <p>_____</p>      | <p>_____</p>     |
| <p>25. Fill coolant level &amp; bleed off system.</p>  | <p>_____</p>      | <p>_____</p>     |
| <p>    _____ Engine water pump                      _____ Turbo wastegates</p>   |                   |                  |
| <p>    _____ Turbo intercooler                      _____ Compressor Cylinders</p>   |                   |                  |
| <p>    _____ Aux. Water pump                      _____ Engine outlet</p>  |                   |                  |
| <p>26. Check jackshaft &amp; idler bearings, sheaves &amp; belts for alignment &amp; torque.</p>                                     | <p>_____</p>      | <p>_____</p>     |
|  | <p><b>YES</b></p> | <p><b>NO</b></p> |
| <p>27. Grease all fittings:</p>  | <p>_____</p>      | <p>_____</p>     |
| <p>    _____ Compressor VVP'S                      _____ Engine water pump</p>   |                   |                  |
| <p>    _____ Aux. Water pump                      _____ Cooler Bearings</p>  |                   |                  |
| <p>    _____ Belt tensioner                      _____ Idler Bearings</p>  |                   |                  |
| <p>    _____ Governor linkages                      _____ Carburetor linkages</p>  |                   |                  |
| <p>28. Check all control panel functions.</p>  | <p>_____</p>      | <p>_____</p>     |
| <p>29. Are primary &amp; secondary packing vents &amp; the distance piece vents open?</p>  | <p>_____</p>      | <p>_____</p>     |
| <p>30. Are the packing vent &amp; drain lines tubed in such a way that oil will not collect in the tubing &amp; cause blockage.?</p> | <p>_____</p>      | <p>_____</p>     |
| <p>31. Is there a suction controller installed?</p>  | <p>_____</p>      | <p>_____</p>     |
| <p>32. Are the suction, interstage &amp; discharge shutdowns working?</p>  | <p>_____</p>      | <p>_____</p>     |
| <p>33. Are there relief valves installed on the discharge of each stage?</p>   | <p>_____</p>      | <p>_____</p>     |
| <p>34. Have all incoming lines been blown out to remove water, slag, dirt etc I.E. Suction gas, fuel gas, start gas etc.</p>         | <p>_____</p>      | <p>_____</p>     |
| <p>35. Ensure suction screen is in place.</p>  | <p>_____</p>      | <p>_____</p>     |
| <p>36. Set up compressor to desired performance curve.</p>   | <p>_____</p>      | <p>_____</p>     |
| <p>37. Bring in gas &amp; purge entire system to flare.</p>  | <p>_____</p>      | <p>_____</p>     |
| <p>38. Pressurize system &amp; check for leaks. Repair as required.</p>  | <p>_____</p>      | <p>_____</p>     |
| <p>Comments: _____</p> <p>_____</p> <p>_____</p> <p>_____</p>  |                   |                  |
| <p>39. Bump electric motor drives for fans, lube pumps, water pumps &amp; compressor to ensure proper rotation.</p>                  | <p>_____</p>      | <p>_____</p>     |
| <p>40. Pre-lube engine &amp; compressor.</p>   | <p>_____</p>      | <p>_____</p>     |
| <p>41. Close suction &amp; discharge. Open bypass &amp; adjust pressure in compressor approx. 500 KPA.</p>                           | <p>_____</p>      | <p>_____</p>     |
| <p>42. Propak's start-up and operating instructions for the unit shall be reviewed with the operator.</p>                            | <p>_____</p>      | <p>_____</p>     |

**AFTER STARTUP CHECK LIST**

	<b>YES</b>	<b>NO</b>
1. Start unit & take note of any unusual noises, pressures, temperatures or vibration.	_____	_____
<hr/>		
2. Check engine governor operation. Set Minimum speed: _____ RPM Set High Idle: _____ RPM Check governor compensation, no load Check & set Engine Overspeed: _____ RPM		
3. Bring unit up to speed and slowly load compressor. Watch pressures, temperatures and liquid levels in scrubbers etc.		
4. Did the oil pressure come up immediately? _____ PSIG	_____	_____
5. Are the filter differential pressure gauges working?	_____	_____
6. Adjust lubricator rate to break in cycle. ( _____ Drops per Minute) Is the distribution block indicator pin moving?	_____	_____
7. Set low oil pressure shut down to 25 PSIG, falling.	_____	_____
8. Set engine ignition timing to spec. ( _____ Deg. BTDC)	_____	_____
9. Set engine fuel gas pressure to 5.5" - 6.0" H2O	_____	_____
10. Set carburetor to engine manufactures spec. Be sure engine is firing on all cyl.	_____	_____
11. Adjust cooler louvers to control at proper temperatures.	_____	_____
12. Let unit stabilize & adjust high discharge temp. shutdowns to approx. 2 deg. C. above operating temperature. Confirm safe operating temperature.	_____	_____
13. Check all engine temperature shutdowns to ensure correct shutdown points	_____	_____
14. Go through the operation on all controls to ensure proper operation: _____ Dump Valves      _____ Engine speed control      _____ Suction control _____ Auto/Manual stations      _____ Discharge controller      _____ By-Pass Controller _____ Blowcase controls      _____ ESD & Blowdown	_____	_____
15. Are the scrubber dump & high level shutdowns working?	_____	_____
16. How often do they dump ( _____ )minutes	_____	_____
17. <b>Have all panel functions been tested to assure shutdown of unit upon malfunction?</b>	_____	_____
18. Are the rod packing vents blowing? Feel tubing for heat.	_____	_____
19. Are the wiper packing draining excessively?	_____	_____
20. Check for oil leaks. <b>Shut down</b> , repair leaks Comments:	_____	_____
_____		
_____		
_____		
_____		

**YES**                                  **NO**

21. Check and record coupling alignment while unit is **hot** and record.

<p>_____</p> <p>_____</p> <p style="text-align: center;">FACE</p> <p>_____</p>	<p>_____</p> <p>_____</p> <p style="text-align: center;">RIM</p> <p>_____</p>	<p>_____</p>	<p>_____</p>
--	---	--------------	--------------

22. Pull suction screen, check for contamination & replace. Comments:


23. Purge unit and restart. Bring unit up to rated speed and pressure.

	_____	_____
--	-------	-------

24. Record all readings, lube rates, temperatures & pressures on separate sheet.

	_____	_____
--	-------	-------

25. Review proper operation with the operator and give contacts for parts & service requirements. Leave unit manuals on site.

	_____	_____
--	-------	-------

26. Comments on overall unit, problems encountered, things that could be done differently etc:

---

---

---

---

---

---

---

---

---

---

---

---

---

---

---

---

---

---

---

---

---

---

---

---







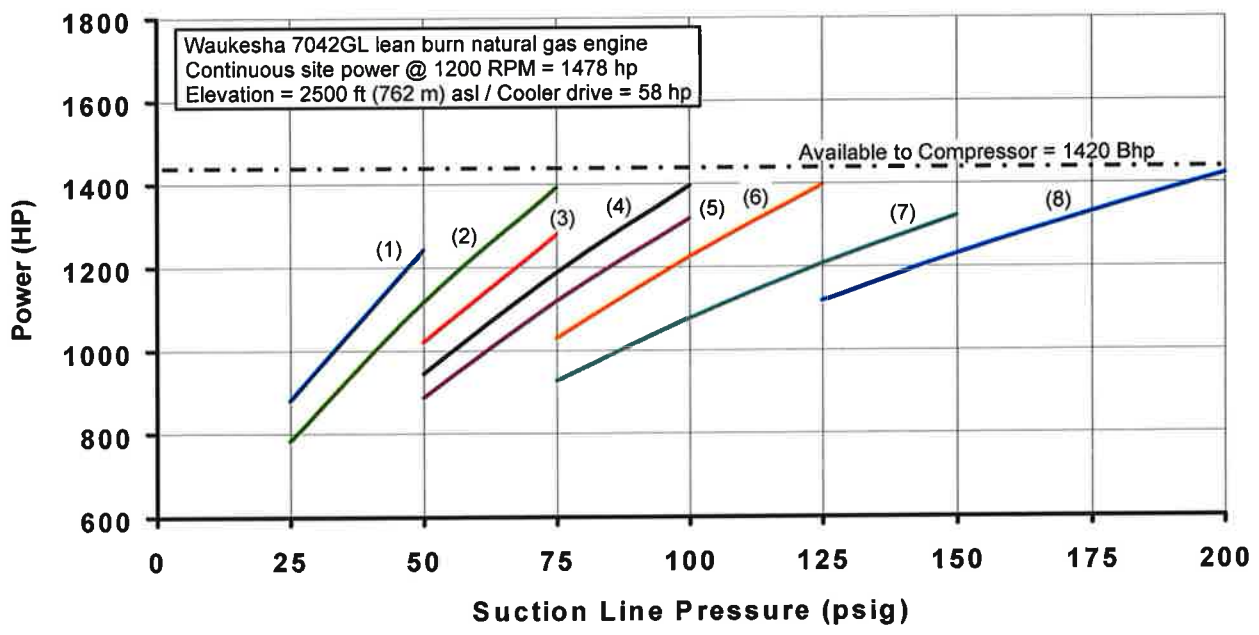
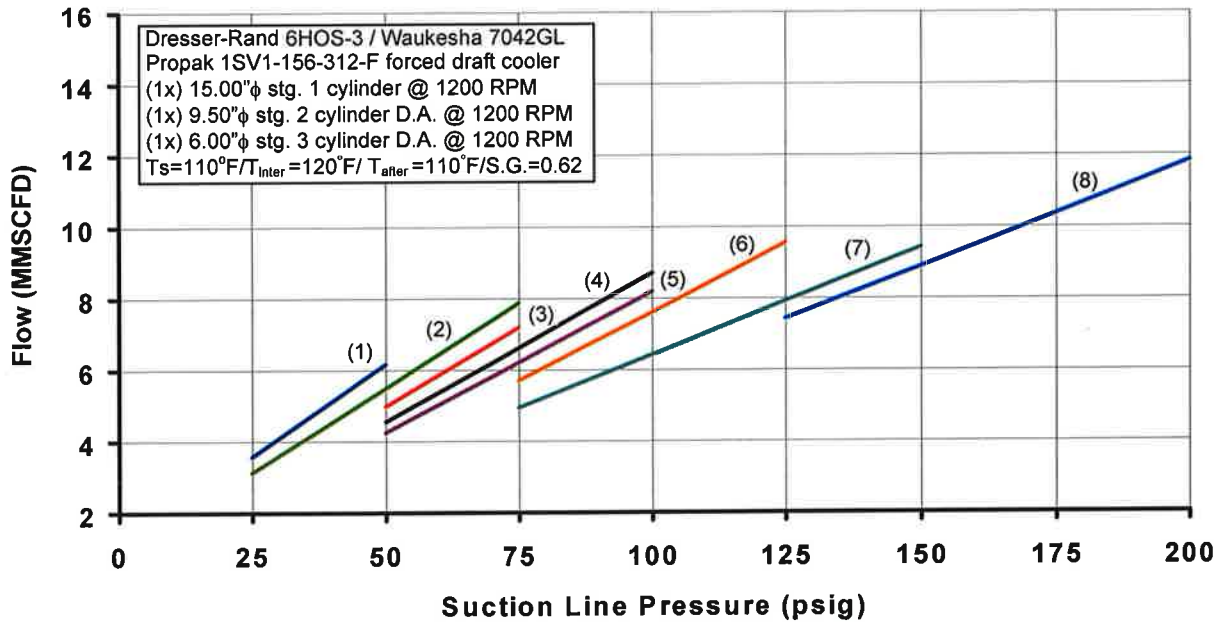
Pd (line) = 1200 psig  
Speed = 1200 rpm

c/o Optima Engineers & Constructors Inc.

Hamburg, Alberta

2-6 Compression Project, Optima #20690

1478 hp Gas Compressor Performance Curves



Calc. By: JWS  
Propak S.O. #99404 / 99420 (two compressor packages)



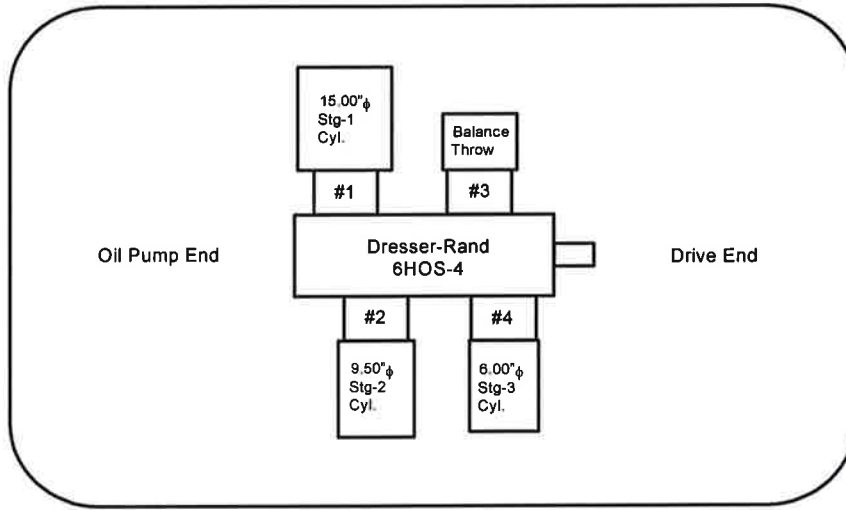
**Project**  
**#99404 / 99420**

**COMPRESSOR UNLOADING TABLE**

**Pd=1200 psig**

Customer: Apache Canada Ltd.  
Location: Hamburg, Alberta  
L.S.D.: 2-6-97-11 W6M

Compressor: Dresser-Rand 6HOS-4  
Driver: Waukesha 7042GL engine, 1478 Bhp @ 1200 RPM  
Cooler: Propak model 1SV1-156-312-F, engine jackshaft drive



Curve #	Stage 1				Stage 2		Stage 3	
	Throw #1 15.00"φ	VVCP % open	Throw #3 Balance	VVCP % open	Throw #2 9.50"φ	VVCP % open	Throw #4 6.00"φ	VVCP % open
1	D.A.	0%	-	-	D.A.	0%	D.A.	-
2	D.A.	25%	-	-	D.A.	0%	D.A.	-
3	D.A.	50%	-	-	D.A.	0%	D.A.	-
4	D.A.	75%	-	-	D.A.	0%	D.A.	-
5	D.A.	100%	-	-	D.A.	0%	D.A.	-
6	D.A.	100%	-	-	D.A.	25%	D.A.	-
7	S.A.C.E.	-	-	-	D.A.	0%	D.A.	-
8	S.A.C.E.	-	-	-	D.A.	100%	D.A.	-

D.A. = Cylinder is Double Acting    S.A.C.E. = Cylinder is Single Acting, Crank End    N.A. = Cylinder is non-acting

**CURVE NOTES:**

- (1) Curve information is calculated at 1200 RPM.
- (2) Horsepower and capacity vary linearly with speed within the operating range of 800-1200 RPM.
- (3) DO NOT OPERATE MACHINE OUTSIDE OF CURVE LIMITS. IF ADDITIONAL PERFORMANCE IS REQUIRED, CONTACT PROPAK COMPRESSION @ 1-800-408-4434 or (403) 912-7000.
- (4) Curve points are limited by available power, compressor rod load, cylinder volumetric efficiency and discharge temperature.

DRESSER-RAND GAS FIELD COMPRESSOR PERFORMANCE (DRSIZE copyright 1996-2000 V1.3a)

PACKAGER: PROPAK COMPRESSION  
 LOCATION: Hamburg (2-6), Alberta  
 JOB/REF : Apache Canada / Optima Engineers  
 JOBSITE : Amb T (F) : 90. Alt. (FT) : 2500. Atm ( PSIA) : 13.42  
 Ref. Pressure ( PSIA) : 14.70 Ref. Temp. (F) : 60.  
 COMPRESSOR: Frame : 6 HOS 4 Stroke (IN) : 6.0 Rod Dia(IN) : 2.500  
 .....Calc RPM : 1200.0 Max RPM : 1200.0 Cooler (HP) : 58.0  
 DRIVER: Type : Gas Engine Avail (HP) : 1478.0 Model: 7042GL

DATE: Oct 2, 2000  
 FILE: 9404-420.DAT " 8"  
 CALC BY: J.Saxinger

Stage Number		1	2	3	
Gas		Natural	Natural	Natural	Ps (line)= 200 psig
Dry Gas Mol. Weight		17.958	17.958	17.958	Pd (line)= 1200 psig
Dry Gas Spec. Gravity		0.620	0.620	0.620	
Cp/Cv @ 14.7/60		1.287	1.287	1.287	Curve 8
Avg. Temp. Expon. (K)		1.264	1.271	1.285	
Avg. Vol. Expon. (N)		1.262	1.273	1.308	
Gas Crit. Temperature	R	371.286	371.286	371.286	
Gas Crit. Pressure	PSIA	672.998	672.998	672.998	
Z Standard		0.998	0.998	0.998	
Z Suction		0.975	0.956	0.922	
Z Discharge		0.974	0.957	0.929	
Inlet Temperature	F	110.00	120.00	120.00	
Inlet Press. @ Cyl Flg	PSIG	196.00	382.15	693.64	
Interstage Press. Drop	%	1.75	1.50	1.00	
Disch. Press. @ Cyl Flg	PSIG	389.20	704.41	1212.00	
Ratio of Compression		1.923	1.815	1.733	
Adiabatic Disch. Temp.	F	193.38	198.62	195.16	
Est. Actual Disch. Temp	F	224.77	212.70	204.35	
Stg. Piston Displ.	CFM	715.9	570.2	215.2	
Stg. Inlet Capacity	ACFM	619.8	326.7	175.9	
CAPACITY ACTUAL WET	MMSCFD	11.87	11.84	11.82	
CAPACITY ACTUAL DRY	MMSCFD	11.80	11.79	11.80	
TOTAL COMPRESSOR POWER	HP	1418.93			

Stage number at (HE/CE)		1/1	0/0	2/2	3/3
Frame Ext/Cyl. Bore	#/IN	1/15.000	3/10.000	2/ 9.500	4/ 6.000
Cylinder Pattern		G12203	BALANCE	G12199	G12196
RDP	PSIG	450.0	0.0	1150.0	1750.0
MAWP	PSIG	495.0	0.0	1265.0	1925.0
Cyl. Action/HE Rod Dia. Act./INSACE		0.00	NA/0.00	DA/0.00	DA/0.00
Brake power / Cylinder	HP	533.9	0.0	441.9	386.4
HE Disch. Vol. Eff.	%	0.00	0.00	19.39	54.47
CE Disch. Vol. Eff.	%	51.58	0.00	53.59	52.72
HE Inlet Vol. Eff.	%	0.00	0.00	30.97	82.95
CE Inlet Vol. Eff.	%	86.59	0.00	85.57	80.29
Avg. Inlet Vol. Eff.	%	43.29	0.00	58.27	81.62
HE Clearance Req'd.	%	14.50	0.00	109.30	24.80
HE Clearance Min.	%	14.50	0.00	17.10	24.80
HE Pocket Open	%	0.00	0.00	100.00	0.00
HE Clearance Added	IN3	0.0	0.0	392.1	0.0
CE Clearance Req'd.	%	14.20	0.00	17.80	29.90
CE Clearance Min.	%	14.20	0.00	17.80	29.90
CE Clearance Added	IN3	0.0	0.0	0.0	0.0
Valve Model - HE		PF67	XXXX	PF48	PF48
Valve Model - CE		PF67	XXXX	PF48	PF48
Valves / Corner (HE/CE)		2/2	0/0	2/2	1/1
Valve Lift - HE	IN	0.080	0.000	0.080	0.080
Valve Lift - CE	IN	0.080	0.000	0.080	0.080
Valve Lift Area - HE	SQIN	10.420	0.000	5.640	5.640
Valve Lift Area - CE	SQIN	10.420	0.000	5.640	5.640
API Inlet Vlv Vel Avg.	FPM	10034.2	0.0	7279.6	5493.6
Flange Gas Load - T	LBF	32230	0	19385	8707
Flange Gas Load - C	LBF	-962	0	-24718	-18061
Max. Allow. Gas Load	LBF	60000	60000	60000	60000
Combined Rod Load - T	LBF	51733	42942	27977	28943
Combined Rod Load - C	LBF	-36841	-29381	-36283	-31732
Max Allow Rod Load	LBF	60000	60000	60000	60000
Recip. Weight @ XHD Pin	LB	362.0	295.0	362.0	295.0
Reversal @ XHD Pin	DEG	140.0	160.0	170.0	155.0

DRESSER-RAND GAS FIELD COMPRESSOR PERFORMANCE (DRSIZE copyright 1996-2000 V1.3a)

PACKAGER: PROPAK COMPRESSION DATE: Oct 2, 2000  
 LOCATION: Hamburg (2-6), Alberta FILE: 9404-420.DAT " 7"  
 JOB/REF : Apache Canada / Optima Engineers CALC BY: J.Saxinger  
 JOBSITE : Amb T (F) : 90. Alt. (FT) : 2500. Atm ( PSIA): 13.42  
 Ref. Pressure ( PSIA) : 14.70 Ref. Temp.(F): 60.  
 COMPRESSOR: Frame : 6 HOS 4 Stroke (IN): 6.0 Rod Dia(IN): 2.500  
 .....Calc RPM : 1200.0 Max RPM : 1200.0 Cooler (HP): 58.0  
 DRIVER: Type : Gas Engine Avail (HP) : 1478.0 Model: 7042GL

Stage Number		1	2	3	
Gas		Natural	Natural	Natural	Ps (line)= 175 psig
Dry Gas Mol. Weight		17.958	17.958	17.958	Pd (line)= 1200 psig
Dry Gas Spec. Gravity		0.620	0.620	0.620	
Cp/Cv @ 14.7/60		1.287	1.287	1.287	Curve 8
Avg. Temp. Expon. (K)		1.263	1.269	1.282	
Avg. Vol. Expon. (N)		1.260	1.270	1.302	
Gas Crit. Temperature	R	371.286	371.286	371.286	
Gas Crit. Pressure	PSIA	672.998	672.998	672.998	
Z Standard		0.998	0.998	0.998	
Z Suction		0.978	0.960	0.928	
Z Discharge		0.977	0.961	0.935	
Inlet Temperature	F	110.00	120.00	120.00	
Inlet Press. @ Cyl Flg	PSIG	171.50	343.40	634.44	
Interstage Press. Drop	%	1.75	1.50	1.00	
Disch. Press. @ Cyl Flg	PSIG	349.76	644.31	1212.00	
Ratio of Compression		1.964	1.843	1.891	
Adiabatic Disch. Temp.	F	195.87	200.30	207.15	
Est. Actual Disch. Temp	F	227.72	214.77	216.75	
Stg. Piston Displ.	CFM	715.9	570.2	215.2	
Stg. Inlet Capacity	ACFM	616.3	318.4	169.1	
CAPACITY ACTUAL WET	MMSCFD	10.39	10.37	10.34	
CAPACITY ACTUAL DRY	MMSCFD	10.32	10.32	10.32	
TOTAL COMPRESSOR POWER	HP	1327.79			

Stage number at (HE/CE)		1/1	0/0	2/2	3/3
Frame Ext/Cyl. Bore	#/IN	1/15.000	3/10.000	2/ 9.500	4/ 6.000
Cylinder Pattern		G12203	BALANCE	G12199	G12196
RDP	PSIG	450.0	0.0	1150.0	1750.0
MAWP	PSIG	495.0	0.0	1265.0	1925.0
Cyl. Action/HE Rod Dia.	Act./INSACE/0.00	NA/0.00	DA/0.00	DA/0.00	DA/0.00
Brake power / Cylinder	HP	482.1	0.0	397.8	391.1
HE Disch. Vol. Eff.	%	0.00	0.00	17.64	49.06
CE Disch. Vol. Eff.	%	50.39	0.00	52.61	47.09
HE Inlet Vol. Eff.	%	0.00	0.00	28.56	80.05
CE Inlet Vol. Eff.	%	86.09	0.00	85.15	76.83
Avg. Inlet Vol. Eff.	%	43.05	0.00	56.85	78.44
HE Clearance Req'd.	%	14.50	0.00	109.30	24.80
HE Clearance Min.	%	14.50	0.00	17.10	24.80
HE Pocket Open	%	0.00	0.00	100.00	0.00
HE Clearance Added	IN3	0.0	0.0	392.1	0.0
CE Clearance Req'd.	%	14.20	0.00	17.80	29.90
CE Clearance Min.	%	14.20	0.00	17.80	29.90
CE Clearance Added	IN3	0.0	0.0	0.0	0.0
Valve Model - HE		PF67	XXXX	PF48	PF48
Valve Model - CE		PF67	XXXX	PF48	PF48
Valves / Corner (HE/CE)		2/2	0/0	2/2	1/1
Valve Lift - HE	IN	0.080	0.000	0.080	0.080
Valve Lift - CE	IN	0.080	0.000	0.080	0.080
Valve Lift Area - HE	SQIN	10.420	0.000	5.640	5.640
Valve Lift Area - CE	SQIN	10.420	0.000	5.640	5.640
API Inlet Vlv Vel Avg.	FPM	10034.2	0.0	7279.6	5493.6
Flange Gas Load - T	LBF	29784	0	18166	10381
Flange Gas Load - C	LBF	-842	0	-23014	-19444
Max. Allow. Gas Load	LBF	60000	60000	60000	60000
Combined Rod Load - T	LBF	51853	42942	29680	27337
Combined Rod Load - C	LBF	-36302	-29381	-35818	-30476
Max Allow Rod Load	LBF	60000	60000	60000	60000
Recip. Weight @ XHD Pin	LB	362.0	295.0	362.0	295.0
Reversal @ XHD Pin	DEG	145.0	160.0	175.0	160.0

DRESSER-RAND GAS FIELD COMPRESSOR PERFORMANCE (DRSIZE copyright 1996-2000 V1.3a)

PACKAGER: PROPAK COMPRESSION DATE: Oct 2, 2000  
 LOCATION: Hamburg (2-6), Alberta FILE: 9404-420.DAT " 6"  
 JOB/REF : Apache Canada / Optima Engineers CALC BY: J.Saxinger  
 JOBSITE : Amb T (F) : 90. Alt. (FT) : 2500. Atm ( PSIA) : 13.42  
 Ref. Pressure ( PSIA) : 14.70 Ref. Temp.(F) : 60.  
 COMPRESSOR: Frame : 6 HOS 4 Stroke (IN): 6.0 Rod Dia(IN): 2.500  
 .....Calc RPM : 1200.0 Max RPM : 1200.0 Cooler (HP): 58.0  
 DRIVER: Type : Gas Engine Avail (HP) : 1478.0 Model: 7042GL

Stage Number		1	2	3	
Gas		Natural	Natural	Natural	Ps (line)= 150 psig
Dry Gas Mol. Weight		17.958	17.958	17.958	Pd (line)= 1200 psig
Dry Gas Spec. Gravity		0.620	0.620	0.620	
Cp/Cv @ 14.7/60		1.287	1.287	1.287	Curve 8
Avg. Temp. Expon. (K)		1.261	1.267	1.278	
Avg. Vol. Expon. (N)		1.259	1.267	1.297	
Gas Crit. Temperature	R	371.286	371.286	371.286	
Gas Crit. Pressure	PSIA	672.998	672.998	672.998	
Z Standard		0.998	0.998	0.998	
Z Suction		0.981	0.965	0.935	
Z Discharge		0.980	0.965	0.943	
Inlet Temperature	F	110.00	120.00	120.00	
Inlet Press. @ Cyl Flg	PSIG	147.00	304.35	574.64	
Interstage Press. Drop	%	1.75	1.50	1.00	
Disch. Press. @ Cyl Flg	PSIG	310.01	583.60	1212.00	
Ratio of Compression		2.016	1.879	2.084	
Adiabatic Disch. Temp.	F	198.98	202.41	220.42	
Est. Actual Disch. Temp	F	231.36	217.34	230.86	
Stg. Piston Displ.	CFM	715.9	570.2	215.2	
Stg. Inlet Capacity	ACFM	611.9	308.3	161.0	
CAPACITY ACTUAL WET	MMSCFD	8.92	8.90	8.88	
CAPACITY ACTUAL DRY	MMSCFD	8.85	8.85	8.85	
TOTAL COMPRESSOR POWER	HP	1227.68			

Stage number at (HE/CE)		1/1	0/0	2/2	3/3
Frame Ext/Cyl. Bore	#/IN	1/15.000	3/10.000	2/ 9.500	4/ 6.000
Cylinder Pattern		G12203	BALANCE	G12199	G12196
RDP	PSIG	450.0	0.0	1150.0	1750.0
MAWP	PSIG	495.0	0.0	1265.0	1925.0
Cyl. Action/HE Rod Dia. Act./INS	ACE/0.00	NA/0.00	DA/0.00	DA/0.00	DA/0.00
Brake power / Cylinder	HP	429.6	0.0	352.9	388.4
HE Disch. Vol. Eff.	%	0.00	0.00	15.57	43.48
CE Disch. Vol. Eff.	%	48.97	0.00	51.45	41.27
HE Inlet Vol. Eff.	%	0.00	0.00	25.62	76.58
CE Inlet Vol. Eff.	%	85.48	0.00	84.62	72.70
Avg. Inlet Vol. Eff.	%	42.74	0.00	55.12	74.64
HE Clearance Req'd.	%	14.50	0.00	109.30	24.80
HE Clearance Min.	%	14.50	0.00	17.10	24.80
HE Pocket Open	%	0.00	0.00	100.00	0.00
HE Clearance Added	IN3	0.0	0.0	392.1	0.0
CE Clearance Req'd.	%	14.20	0.00	17.80	29.90
CE Clearance Min.	%	14.20	0.00	17.80	29.90
CE Clearance Added	IN3	0.0	0.0	0.0	0.0
Valve Model - HE		PF67	XXXX	PF48	PF48
Valve Model - CE		PF67	XXXX	PF48	PF48
Valves / Corner (HE/CE)		2/2	0/0	2/2	1/1
Valve Lift - HE	IN	0.080	0.000	0.080	0.080
Valve Lift - CE	IN	0.080	0.000	0.080	0.080
Valve Lift Area - HE	SQIN	10.420	0.000	5.640	5.640
Valve Lift Area - CE	SQIN	10.420	0.000	5.640	5.640
API Inlet Vlv Vel Avg.	FPM	10034.2	0.0	7279.6	5493.6
Flange Gas Load - T	LBF	27285	0	16929	12071
Flange Gas Load - C	LBF	-722	0	-21288	-20842
Max. Allow. Gas Load	LBF	60000	60000	60000	60000
Combined Rod Load - T	LBF	51973	42942	31407	25720
Combined Rod Load - C	LBF	-35761	-29381	-35351	-28909
Max Allow Rod Load	LBF	60000	60000	60000	60000
Recip. Weight @ XHD Pin	LB	362.0	295.0	362.0	295.0
Reversal @ XHD Pin	DEG	155.0	160.0	170.0	155.0

DRESSER-RAND GAS FIELD COMPRESSOR PERFORMANCE (DRSIZE copyright 1996-2000 V1.3a)

PACKAGER: PROPAK COMPRESSION DATE: Oct 2, 2000  
 LOCATION: Hamburg (2-6), Alberta FILE: 9404-420.DAT " 5"  
 JOB/REF : Apache Canada / Optima Engineers CALC BY: J.Saxinger  
 JOBSITE : Amb T (F) : 90. Alt. (FT) : 2500. Atm ( PSIA): 13.42  
 Ref. Pressure ( PSIA) : 14.70 Ref. Temp.(F): 60.  
 COMPRESSOR: Frame : 6 HOS 4 Stroke (IN): 6.0 Rod Dia (IN): 2.500  
 .....Calc RPM : 1200.0 Max RPM : 1200.0 Cooler (HP): 58.0  
 DRIVER: Type : Gas Engine Avail (HP) : 1478.0 Model: 7042GL

Stage Number		1	2	3	
Gas		Natural	Natural	Natural	Ps (line)= 125 psig
Dry Gas Mol. Weight		17.958	17.958	17.958	Pd (line)= 1200 psig
Dry Gas Spec. Gravity		0.620	0.620	0.620	
Cp/Cv @ 14.7/60		1.287	1.287	1.287	Curve 8
Avg. Temp. Expon. (K)		1.259	1.265	1.274	
Avg. Vol. Expon. (N)		1.257	1.264	1.292	
Gas Crit. Temperature	R	371.286	371.286	371.286	
Gas Crit. Pressure	PSIA	672.998	672.998	672.998	
Z Standard		0.998	0.998	0.998	
Z Suction		0.984	0.969	0.941	
Z Discharge		0.983	0.969	0.950	
Inlet Temperature	F	110.00	120.00	120.00	
Inlet Press. @ Cyl Flg	PSIG	122.50	264.93	514.01	
Interstage Press. Drop	%	1.75	1.50	1.00	
Disch. Press. @ Cyl Flg	PSIG	269.89	522.04	1212.00	
Ratio of Compression		2.084	1.924	2.323	
Adiabatic Disch. Temp.	F	203.01	205.11	235.36	
Est. Actual Disch. Temp	F	236.08	220.60	246.95	
Stg. Piston Displ.	CFM	715.9	570.2	215.2	
Stg. Inlet Capacity	ACFM	606.2	295.6	151.1	
CAPACITY ACTUAL WET	MMSCFD	7.47	7.44	7.42	
CAPACITY ACTUAL DRY	MMSCFD	7.40	7.40	7.40	
TOTAL COMPRESSOR POWER	HP	1115.63			

Stage number at (HE/CE)		1/1	0/0	2/2	3/3
Frame Ext/Cyl. Bore	#/IN	1/15.000	3/10.000	2/ 9.500	4/ 6.000
Cylinder Pattern		G12203	BALANCE	G12199	G12196
RDP	PSIG	450.0	0.0	1150.0	1750.0
MAWP	PSIG	495.0	0.0	1265.0	1925.0
Cyl. Action/HE Rod Dia. Act./INSACE		0.00	NA/0.00	DA/0.00	DA/0.00
Brake power / Cylinder	HP	376.1	0.0	307.0	375.8
HE Disch. Vol. Eff.	%	0.00	0.00	13.08	37.67
CE Disch. Vol. Eff.	%	47.22	0.00	50.05	35.23
HE Inlet Vol. Eff.	%	0.00	0.00	21.95	72.36
CE Inlet Vol. Eff.	%	84.68	0.00	83.97	67.66
Avg. Inlet Vol. Eff.	%	42.34	0.00	52.96	70.01
HE Clearance Req'd.	%	14.50	0.00	109.30	24.80
HE Clearance Min.	%	14.50	0.00	17.10	24.80
HE Pocket Open	%	0.00	0.00	100.00	0.00
HE Clearance Added	IN3	0.0	0.0	392.1	0.0
CE Clearance Req'd.	%	14.20	0.00	17.80	29.90
CE Clearance Min.	%	14.20	0.00	17.80	29.90
CE Clearance Added	IN3	0.0	0.0	0.0	0.0
Valve Model - HE		PF67	XXXX	PF48	PF48
Valve Model - CE		PF67	XXXX	PF48	PF48
Valves / Corner (HE/CE)		2/2	0/0	2/2	1/1
Valve Lift - HE	IN	0.080	0.000	0.080	0.080
Valve Lift - CE	IN	0.080	0.000	0.080	0.080
Valve Lift Area - HE	SQIN	10.420	0.000	5.640	5.640
Valve Lift Area - CE	SQIN	10.420	0.000	5.640	5.640
API Inlet Vlv Vel Avg.	FPM	10034.2	0.0	7279.6	5493.6
Flange Gas Load - T	LBF	24720	0	15662	13786
Flange Gas Load - C	LBF	-601	0	-19525	-22258
Max. Allow. Gas Load	LBF	60000	60000	60000	60000
Combined Rod Load - T	LBF	52093	42942	33170	24083
Combined Rod Load - C	LBF	-35218	-29381	-34656	-26888
Max Allow Rod Load	LBF	60000	60000	60000	60000
Recip. Weight @ XHD Pin	LB	362.0	295.0	362.0	295.0
Reversal @ XHD Pin	DEG	155.0	160.0	170.0	160.0

DRESSER-RAND GAS FIELD COMPRESSOR PERFORMANCE (DRSIZE copyright 1996-2000 V1.3a)

PACKAGER: PROPAK COMPRESSION DATE: Oct 2, 2000  
 LOCATION: Hamburg (2-6), Alberta FILE: 9404-420.DAT " 6"  
 JOB/REF : Apache Canada / Optima Engineers CALC BY: J.Saxinger  
 JOBSITE : Amb T (F) : 90. Alt. (FT) : 2500. Atm ( PSIA) : 13.42  
 Ref. Pressure ( PSIA) : 14.70 Ref. Temp.(F) : 60.  
 COMPRESSOR: Frame : 6 HOS 4 Stroke (IN) : 6.0 Rod Dia(IN) : 2.500  
 .....Calc RPM : 1200.0 Max RPM : 1200.0 Cooler (HP) : 58.0  
 DRIVER: Type : Gas Engine Avail (HP) : 1478.0 Model: 7042GL

Stage Number		1	2	3	
Gas		Natural	Natural	Natural	Ps (line)= 150 psig
Dry Gas Mol. Weight		17.958	17.958	17.958	Pd (line)= 1200 psig
Dry Gas Spec. Gravity		0.620	0.620	0.620	
Cp/Cv @ 14.7/60		1.287	1.287	1.287	Curve 7
Avg. Temp. Expon. (K)		1.264	1.260	1.279	
Avg. Vol. Expon. (N)		1.261	1.262	1.299	
Gas Crit. Temperature	R	371.286	371.286	371.286	
Gas Crit. Pressure	PSIA	672.998	672.998	672.998	
Z Standard		0.998	0.998	0.998	
Z Suction		0.981	0.973	0.932	
Z Discharge		0.980	0.974	0.940	
Inlet Temperature	F	110.00	120.00	120.00	
Inlet Press. @ Cyl Flg	PSIG	147.00	228.73	596.98	
Interstage Press. Drop	%	1.75	1.50	1.00	
Disch. Press. @ Cyl Flg	PSIG	233.04	606.28	1212.00	
Ratio of Compression		1.536	2.559	2.008	
Adiabatic Disch. Temp.	F	163.51	243.93	215.31	
Est. Actual Disch. Temp	F	196.08	261.61	225.40	
Stg. Piston Displ.	CFM	715.9	570.2	215.2	
Stg. Inlet Capacity	ACFM	649.7	434.1	164.2	
CAPACITY ACTUAL WET	MMSCFD	9.47	9.46	9.42	
CAPACITY ACTUAL DRY	MMSCFD	9.40	9.40	9.39	
TOTAL COMPRESSOR POWER	HP	1320.22			

Stage number at (HE/CE)		1/1	0/0	2/2	3/3
Frame Ext/Cyl. Bore	#/IN	1/15.000	3/10.000	2/ 9.500	4/ 6.000
Cylinder Pattern		G12203	BALANCE	G12199	G12196
RDP	PSIG	450.0	0.0	1150.0	1750.0
MAWP	PSIG	495.0	0.0	1265.0	1925.0
Cyl. Action/HE Rod Dia. Act./INSACE		0.00	NA/0.00	DA/0.00	DA/0.00
Brake power / Cylinder	HP	314.7	0.0	558.3	390.5
HE Disch. Vol. Eff.	%	0.00	0.00	36.33	45.58
CE Disch. Vol. Eff.	%	64.56	0.00	35.96	43.46
HE Inlet Vol. Eff.	%	0.00	0.00	76.49	77.95
CE Inlet Vol. Eff.	%	90.76	0.00	75.72	74.33
Avg. Inlet Vol. Eff.	%	45.38	0.00	76.11	76.14
HE Clearance Req'd.	%	14.50	0.00	17.10	24.80
HE Clearance Min.	%	14.50	0.00	17.10	24.80
HE Pocket Open	%	0.00	0.00	0.00	0.00
HE Clearance Added	IN3	0.0	0.0	0.0	0.0
CE Clearance Req'd.	%	14.20	0.00	17.80	29.90
CE Clearance Min.	%	14.20	0.00	17.80	29.90
CE Clearance Added	IN3	0.0	0.0	0.0	0.0
Valve Model - HE		PF67	XXXX	PF48	PF48
Valve Model - CE		PF67	XXXX	PF48	PF48
Valves / Corner (HE/CE)		2/2	0/0	2/2	1/1
Valve Lift - HE	IN	0.080	0.000	0.080	0.080
Valve Lift - CE	IN	0.080	0.000	0.080	0.080
Valve Lift Area - HE	SQIN	10.420	0.000	5.640	5.640
Valve Lift Area - CE	SQIN	10.420	0.000	5.640	5.640
API Inlet Vlv Vel Avg.	FPM	10034.2	0.0	7279.6	5493.6
Flange Gas Load - T	LBF	14061	0	23786	11440
Flange Gas Load - C	LBF	-722	0	-27884	-20320
Max. Allow. Gas Load	LBF	60000	60000	60000	60000
Combined Rod Load - T	LBF	51973	42942	33622	26324
Combined Rod Load - C	LBF	-36028	-29381	-33529	-29674
Max Allow Rod Load	LBF	60000	60000	60000	60000
Recip. Weight @ XHD Pin	LB	362.0	295.0	362.0	295.0
Reversal @ XHD Pin	DEG	175.0	160.0	175.0	155.0

DRESSER-RAND GAS FIELD COMPRESSOR PERFORMANCE (DRSIZE copyright 1996-2000 V1.3a)

PACKAGER: PROPAK COMPRESSION DATE: Oct 2, 2000  
 LOCATION: Hamburg (2-6), Alberta FILE: 9404-420.DAT " 5"  
 JOB/REF : Apache Canada / Optima Engineers CALC BY: J.Saxinger  
 JOBSITE : Amb T (F) : 90. Alt. (FT) : 2500. Atm ( PSIA): 13.42  
 Ref. Pressure ( PSIA) : 14.70 Ref. Temp.(F): 60.  
 COMPRESSOR: Frame : 6 HOS 4 Stroke (IN): 6.0 Rod Dia(IN): 2.500  
 .....Calc RPM : 1200.0 Max RPM : 1200.0 Cooler (HP): 58.0  
 DRIVER: Type : Gas Engine Avail (HP) : 1478.0 Model: 7042GL

Stage Number		1	2	3	
Gas		Natural	Natural	Natural	Ps (line)= 125 psig
Dry Gas Mol. Weight		17.958	17.958	17.958	Pd (line)= 1200 psig
Dry Gas Spec. Gravity		0.620	0.620	0.620	
Cp/Cv @ 14.7/60		1.287	1.287	1.287	Curve 7
Avg. Temp. Expon. (K)		1.263	1.257	1.276	
Avg. Vol. Expon. (N)		1.260	1.259	1.294	
Gas Crit. Temperature	R	371.286	371.286	371.286	
Gas Crit. Pressure	PSIA	672.998	672.998	672.998	
Z Standard		0.998	0.998	0.998	
Z Suction		0.984	0.977	0.939	
Z Discharge		0.983	0.978	0.947	
Inlet Temperature	F	110.00	120.00	120.00	
Inlet Press. @ Cyl Flg	PSIG	122.50	195.07	535.03	
Interstage Press. Drop	%	1.75	1.50	1.00	
Disch. Press. @ Cyl Flg	PSIG	198.78	543.38	1212.00	
Ratio of Compression		1.561	2.671	2.234	
Adiabatic Disch. Temp.	F	165.35	249.14	229.99	
Est. Actual Disch. Temp	F	198.35	267.68	241.14	
Stg. Piston Displ.	CFM	715.9	570.2	215.2	
Stg. Inlet Capacity	ACFM	647.2	425.7	154.8	
CAPACITY ACTUAL WET	MMSCFD	7.97	7.96	7.92	
CAPACITY ACTUAL DRY	MMSCFD	7.90	7.90	7.90	
TOTAL COMPRESSOR POWER	HP	1204.76			

Stage number at (HE/CE)		1/1	0/0	2/2	3/3
Frame Ext/Cyl. Bore	#/IN	1/15.000	3/10.000	2/ 9.500	4/ 6.000
Cylinder Pattern		G12203	BALANCE	G12199	G12196
RDP	PSIG	450.0	0.0	1150.0	1750.0
MAWP	PSIG	495.0	0.0	1265.0	1925.0
Cyl. Action/HE Rod Dia.	Act./INSACE/0.00	NA/0.00	DA/0.00	DA/0.00	DA/0.00
Brake power / Cylinder	HP	273.5	0.0	493.2	381.4
HE Disch. Vol. Eff.	%	0.00	0.00	34.40	39.70
CE Disch. Vol. Eff.	%	63.48	0.00	34.02	37.34
HE Inlet Vol. Eff.	%	0.00	0.00	75.06	73.92
CE Inlet Vol. Eff.	%	90.41	0.00	74.23	69.52
Avg. Inlet Vol. Eff.	%	45.21	0.00	74.65	71.72
HE Clearance Req'd.	%	14.50	0.00	17.10	24.80
HE Clearance Min.	%	14.50	0.00	17.10	24.80
HE Pocket Open	%	0.00	0.00	0.00	0.00
HE Clearance Added	IN3	0.0	0.0	0.0	0.0
CE Clearance Req'd.	%	14.20	0.00	17.80	29.90
CE Clearance Min.	%	14.20	0.00	17.80	29.90
CE Clearance Added	IN3	0.0	0.0	0.0	0.0
Valve Model - HE		PF67	XXXX	PF48	PF48
Valve Model - CE		PF67	XXXX	PF48	PF48
Valves / Corner (HE/CE)		2/2	0/0	2/2	1/1
Valve Lift - HE	IN	0.080	0.000	0.080	0.080
Valve Lift - CE	IN	0.080	0.000	0.080	0.080
Valve Lift Area - HE	SQIN	10.420	0.000	5.640	5.640
Valve Lift Area - CE	SQIN	10.420	0.000	5.640	5.640
API Inlet Vlv Vel Avg.	FPM	10034.2	0.0	7279.6	5493.6
Flange Gas Load - T	LBF	12504	0	22022	13191
Flange Gas Load - C	LBF	-601	0	-25647	-21767
Max. Allow. Gas Load	LBF	60000	60000	60000	60000
Combined Rod Load - T	LBF	52093	42942	33515	24650
Combined Rod Load - C	LBF	-35684	-29381	-32213	-27664
Max Allow Rod Load	LBF	60000	60000	60000	60000
Recip. Weight @ XHD Pin	LB	362.0	295.0	362.0	295.0
Reversal @ XHD Pin	DEG	180.0	160.0	170.0	160.0



DRESSER-RAND GAS FIELD COMPRESSOR PERFORMANCE (DRSIZE copyright 1996-2000 V1.3a)

PACKAGER: PROPAK COMPRESSION DATE: Oct 2, 2000  
 LOCATION: Hamburg (2-6), Alberta FILE: 9404-420.DAT " 4"  
 JOB/REF : Apache Canada / Optima Engineers CALC BY: J.Saxinger  
 JOBSITE : Amb T (F) : 90. Alt. (FT) : 2500. Atm ( PSIA): 13.42  
 Ref. Pressure ( PSIA) : 14.70 Ref. Temp.(F): 60.  
 COMPRESSOR: Frame : 6 HOS 4 Stroke (IN): 6.0 Rod Dia(IN): 2.500  
 .....Calc RPM : 1200.0 Max RPM : 1200.0 Cooler (HP): 58.0  
 DRIVER: Type : Gas Engine Avail (HP) : 1478.0 Model: 7042GL

Stage Number		1	2	3	
Gas		Natural	Natural	Natural	Ps (line)= 100 psig
Dry Gas Mol. Weight		17.958	17.958	17.958	Pd (line)= 1200 psig
Dry Gas Spec. Gravity		0.620	0.620	0.620	
Cp/Cv @ 14.7/60		1.287	1.287	1.287	Curve 7
Avg. Temp. Expon. (K)		1.261	1.255	1.272	
Avg. Vol. Expon. (N)		1.259	1.256	1.288	
Gas Crit. Temperature	R	371.286	371.286	371.286	
Gas Crit. Pressure	PSIA	672.998	672.998	672.998	
Z Standard		0.998	0.998	0.998	
Z Suction		0.987	0.981	0.946	
Z Discharge		0.986	0.982	0.955	
Inlet Temperature	F	110.00	120.00	120.00	
Inlet Press. @ Cyl Flg	PSIG	98.00	161.21	471.99	
Interstage Press. Drop	%	1.75	1.50	1.00	
Disch. Press. @ Cyl Flg	PSIG	164.33	479.38	1212.00	
Ratio of Compression		1.595	2.822	2.525	
Adiabatic Disch. Temp.	F	167.89	256.02	246.78	
Est. Actual Disch. Temp	F	201.47	275.63	259.45	
Stg. Piston Displ.	CFM	715.9	570.2	215.2	
Stg. Inlet Capacity	ACFM	643.8	414.6	143.0	
CAPACITY ACTUAL WET	MMSCFD	6.48	6.47	6.43	
CAPACITY ACTUAL DRY	MMSCFD	6.41	6.41	6.41	
TOTAL COMPRESSOR POWER	HP	1074.50			

Stage number at (HE/CE)		1/1	0/0	2/2	3/3
Frame Ext/Cyl. Bore	#/IN	1/15.000	3/10.000	2/ 9.500	4/ 6.000
Cylinder Pattern		G12203	BALANCE	G12199	G12196
RDP	PSIG	450.0	0.0	1150.0	1750.0
MAWP	PSIG	495.0	0.0	1265.0	1925.0
Cyl. Action/HE Rod Dia.	Act./INSACE/0.00	NA/0.00	DA/0.00	DA/0.00	DA/0.00
Brake power / Cylinder	HP	231.8	0.0	425.5	360.5
HE Disch. Vol. Eff.	%	0.00	0.00	32.03	33.56
CE Disch. Vol. Eff.	%	62.05	0.00	31.63	30.95
HE Inlet Vol. Eff.	%	0.00	0.00	73.14	68.87
CE Inlet Vol. Eff.	%	89.93	0.00	72.24	63.51
Avg. Inlet Vol. Eff.	%	44.96	0.00	72.69	66.19
HE Clearance Req'd.	%	14.50	0.00	17.10	24.80
HE Clearance Min.	%	14.50	0.00	17.10	24.80
HE Pocket Open	%	0.00	0.00	0.00	0.00
HE Clearance Added	IN3	0.0	0.0	0.0	0.0
CE Clearance Req'd.	%	14.20	0.00	17.80	29.90
CE Clearance Min.	%	14.20	0.00	17.80	29.90
CE Clearance Added	IN3	0.0	0.0	0.0	0.0
Valve Model - HE		PF67	XXXX	PF48	PF48
Valve Model - CE		PF67	XXXX	PF48	PF48
Valves / Corner (HE/CE)		2/2	0/0	2/2	1/1
Valve Lift - HE	IN	0.080	0.000	0.080	0.080
Valve Lift - CE	IN	0.080	0.000	0.080	0.080
Valve Lift Area - HE	SQIN	10.420	0.000	5.640	5.640
Valve Lift Area - CE	SQIN	10.420	0.000	5.640	5.640
API Inlet Vlv Vel Avg.	FPM	10034.2	0.0	7279.6	5493.6
Flange Gas Load - T	LBF	10914	0	20199	14974
Flange Gas Load - C	LBF	-481	0	-23343	-23240
Max. Allow. Gas Load	LBF	60000	60000	60000	60000
Combined Rod Load - T	LBF	52214	42942	33742	22949
Combined Rod Load - C	LBF	-35339	-29381	-30619	-25185
Max Allow Rod Load	LBF	60000	60000	60000	60000
Recip. Weight @ XHD Pin	LB	362.0	295.0	362.0	295.0
Reversal @ XHD Pin	DEG	175.0	160.0	170.0	160.0

DRESSER-RAND GAS FIELD COMPRESSOR PERFORMANCE (DRSIZE copyright 1996-2000 V1.3a)

PACKAGER: PROPAK COMPRESSION  
 LOCATION: Hamburg (2-6), Alberta  
 JOB/REF : Apache Canada / Optima Engineers  
 JOBSITE : Amb T (F) : 90. Alt. (FT) : 2500. Atm ( PSIA): 13.42  
 Ref. Pressure ( PSIA) : 14.70 Ref. Temp. (F) : 60.  
 COMPRESSOR: Frame : 6 HOS 4 Stroke (IN): 6.0 Rod Dia(IN): 2.500  
 .....Calc RPM : 1200.0 Max RPM : 1200.0 Cooler (HP): 58.0  
 DRIVER: Type : Gas Engine Avail (HP) : 1478.0 Model: 7042GL

DATE: Oct 2, 2000  
 FILE: 9404-420.DAT " 3"  
 CALC BY: J.Saxinger

Stage Number		1	2	3	
Gas		Natural	Natural	Natural	Ps (line)= 75 psig
Dry Gas Mol. Weight		17.958	17.958	17.958	Pd (line)= 1200 psig
Dry Gas Spec. Gravity		0.620	0.620	0.620	
Cp/Cv @ 14.7/60		1.287	1.287	1.287	Curve 7
Avg. Temp. Expon. (K)		1.260	1.252	1.267	
Avg. Vol. Expon. (N)		1.258	1.253	1.283	
Gas Crit. Temperature	R	371.286	371.286	371.286	
Gas Crit. Pressure	PSIA	672.998	672.998	672.998	
Z Standard		0.998	0.998	0.998	
Z Suction		0.990	0.985	0.953	
Z Discharge		0.989	0.985	0.963	
Inlet Temperature	F	110.00	120.00	120.00	
Inlet Press. @ Cyl Flg	PSIG	73.50	127.16	407.81	
Interstage Press. Drop	%	1.75	1.50	1.00	
Disch. Press. @ Cyl Flg	PSIG	129.67	414.22	1212.00	
Ratio of Compression		1.646	3.042	2.909	
Adiabatic Disch. Temp.	F	171.66	265.34	266.34	
Est. Actual Disch. Temp	F	206.12	286.33	281.35	
Stg. Piston Displ.	CFM	715.9	570.2	215.2	
Stg. Inlet Capacity	ACFM	638.6	398.5	127.7	
CAPACITY ACTUAL WET	MMSCFD	5.00	4.99	4.95	
CAPACITY ACTUAL DRY	MMSCFD	4.93	4.93	4.93	
TOTAL COMPRESSOR POWER	HP	925.47			

Stage number at (HE/CE)		1/1	0/0	2/2	3/3
Frame Ext/Cyl. Bore	#/IN	1/15.000	3/10.000	2/ 9.500	4/ 6.000
Cylinder Pattern		G12203	BALANCE	G12199	G12196
RDP	PSIG	450.0	0.0	1150.0	1750.0
MAWP	PSIG	495.0	0.0	1265.0	1925.0
Cyl. Action/HE Rod Dia. Act./INS	ACE/0.00	NA/0.00	DA/0.00	DA/0.00	DA/0.00
Brake power / Cylinder	HP	189.4	0.0	354.2	325.1
HE Disch. Vol. Eff.	%	0.00	0.00	28.95	27.12
CE Disch. Vol. Eff.	%	60.01	0.00	28.54	24.24
HE Inlet Vol. Eff.	%	0.00	0.00	70.37	62.35
CE Inlet Vol. Eff.	%	89.20	0.00	69.37	55.73
Avg. Inlet Vol. Eff.	%	44.60	0.00	69.87	59.04
HE Clearance Reqd.	%	14.50	0.00	17.10	24.80
HE Clearance Min.	%	14.50	0.00	17.10	24.80
HE Pocket Open	%	0.00	0.00	0.00	0.00
HE Clearance Added	IN3	0.0	0.0	0.0	0.0
CE Clearance Reqd.	%	14.20	0.00	17.80	29.90
CE Clearance Min.	%	14.20	0.00	17.80	29.90
CE Clearance Added	IN3	0.0	0.0	0.0	0.0
Valve Model - HE		PF67	XXXX	PF48	PF48
Valve Model - CE		PF67	XXXX	PF48	PF48
Valves / Corner (HE/CE)		2/2	0/0	2/2	1/1
Valve Lift - HE	IN	0.080	0.000	0.080	0.080
Valve Lift - CE	IN	0.080	0.000	0.080	0.080
Valve Lift Area - HE	SQIN	10.420	0.000	5.640	5.640
Valve Lift Area - CE	SQIN	10.420	0.000	5.640	5.640
API Inlet Vlv Vel Avg.	FPM	10034.2	0.0	7279.6	5493.6
Flange Gas Load - T	LBF	9289	0	18314	16789
Flange Gas Load - C	LBF	-361	0	-20972	-24740
Max. Allow. Gas Load	LBF	60000	60000	60000	60000
Combined Rod Load - T	LBF	52334	42942	34304	21267
Combined Rod Load - C	LBF	-34994	-29381	-29164	-22666
Max Allow Rod Load	LBF	60000	60000	60000	60000
Recip. Weight @ XHD Pin	LB	362.0	295.0	362.0	295.0
Reversal @ XHD Pin	DEG	175.0	160.0	155.0	145.0

DRESSER-RAND GAS FIELD COMPRESSOR PERFORMANCE (DRSIZE copyright 1996-2000 V1.3a)

PACKAGER: PROPAK COMPRESSION DATE: Oct 2, 2000  
 LOCATION: Hamburg (2-6), Alberta FILE: 9404-420.DAT " 5"  
 JOB/REF : Apache Canada / Optima Engineers CALC BY: J.Saxinger  
 JOBSITE : Amb T (F) : 90. Alt. (FT) : 2500. Atm ( PSIA): 13.42  
 Ref. Pressure ( PSIA) : 14.70 Ref. Temp.(F): 60.  
 COMPRESSOR: Frame : 6 HOS 4 Stroke (IN): 6.0 Rod Dia(IN): 2.500  
 .....Calc RPM : 1200.0 Max RPM : 1200.0 Cooler (HP): 58.0  
 DRIVER: Type : Gas Engine Avail (HP) : 1478.0 Model: 7042GL

Stage Number		1	2	3	
Gas		Natural	Natural	Natural	Ps (line)= 125 psig
Dry Gas Mol. Weight		17.958	17.958	17.958	Pd (line)= 1200 psig
Dry Gas Spec. Gravity		0.620	0.620	0.620	
Cp/Cv @ 14.7/60		1.287	1.287	1.287	Curve 6
Avg. Temp. Expon. (K)		1.260	1.263	1.280	
Avg. Vol. Expon. (N)		1.258	1.264	1.299	
Gas Crit. Temperature	R	371.286	371.286	371.286	
Gas Crit. Pressure	PSIA	672.998	672.998	672.998	
Z Standard		0.998	0.998	0.998	
Z Suction		0.984	0.970	0.932	
Z Discharge		0.983	0.971	0.939	
Inlet Temperature	F	110.00	120.00	120.00	
Inlet Press. @ Cyl Flg	PSIG	122.50	258.60	601.95	
Interstage Press. Drop	%	1.75	1.50	1.00	
Disch. Press. @ Cyl Flg	PSIG	263.44	611.32	1212.00	
Ratio of Compression		2.037	2.297	1.991	
Adiabatic Disch. Temp.	F	199.96	229.41	214.19	
Est. Actual Disch. Temp	F	221.46	246.28	224.22	
Stg. Piston Displ.	CFM	1452.2	570.2	215.2	
Stg. Inlet Capacity	ACFM	779.9	389.6	164.9	
CAPACITY ACTUAL WET	MMSCFD	9.61	9.58	9.54	
CAPACITY ACTUAL DRY	MMSCFD	9.52	9.52	9.52	
TOTAL COMPRESSOR POWER	HP	1393.18			

Stage number at (HE/CE)		1/1	0/0	2/2	3/3
Frame Ext/Cyl. Bore	#/IN	1/15.000	3/10.000	2/ 9.500	4/ 6.000
Cylinder Pattern		G12203	BALANCE	G12199	G12196
RDP	PSIG	450.0	0.0	1150.0	1750.0
MAWP	PSIG	495.0	0.0	1265.0	1925.0
Cyl. Action/HE Rod Dia.	Act./IN	DA/0.00	NA/0.00	DA/0.00	DA/0.00
Brake power / Cylinder	HP	446.2	0.0	499.5	390.8
HE Disch. Vol. Eff.	%	13.12	0.00	30.20	46.04
CE Disch. Vol. Eff.	%	48.38	0.00	40.98	43.95
HE Inlet Vol. Eff.	%	23.11	0.00	58.30	78.24
CE Inlet Vol. Eff.	%	85.18	0.00	79.10	74.67
Avg. Inlet Vol. Eff.	%	54.14	0.00	68.70	76.46
HE Clearance Req'd.	%	95.80	0.00	40.15	24.80
HE Clearance Min.	%	14.50	0.00	17.10	24.80
HE Pocket Open	%	100.00	0.00	25.00	0.00
HE Clearance Added	IN3	862.0	0.0	98.0	0.0
CE Clearance Req'd.	%	14.20	0.00	17.80	29.90
CE Clearance Min.	%	14.20	0.00	17.80	29.90
CE Clearance Added	IN3	0.0	0.0	0.0	0.0
Valve Model - HE		PF67	XXXX	PF48	PF48
Valve Model - CE		PF67	XXXX	PF48	PF48
Valves / Corner (HE/CE)		2/2	0/0	2/2	1/1
Valve Lift - HE	IN	0.080	0.000	0.080	0.080
Valve Lift - CE	IN	0.080	0.000	0.080	0.080
Valve Lift Area - HE	SQIN	10.420	0.000	5.640	5.640
Valve Lift Area - CE	SQIN	10.420	0.000	5.640	5.640
API Inlet Vlv Vel Avg.	FPM	10034.2	0.0	7279.6	5493.6
Flange Gas Load - T	LBF	23613	0	22001	11299
Flange Gas Load - C	LBF	-25508	0	-26271	-20204
Max. Allow. Gas Load	LBF	60000	60000	60000	60000
Combined Rod Load - T	LBF	27187	42942	27223	26458
Combined Rod Load - C	LBF	-35057	-29381	-34217	-29861
Max Allow Rod Load	LBF	60000	60000	60000	60000
Recip. Weight @ XHD Pin	LB	362.0	295.0	362.0	295.0
Reversal @ XHD Pin	DEG	175.0	160.0	170.0	155.0

DRESSER-RAND GAS FIELD COMPRESSOR PERFORMANCE (DRSIZE copyright 1996-2000 V1.3a)

PACKAGER: PROPAK COMPRESSION  
 LOCATION: Hamburg (2-6), Alberta  
 JOB/REF : Apache Canada / Optima Engineers  
 JOBSITE : Amb T (F) : 90. Alt. (FT) : 2500. Atm ( PSIA): 13.42  
 Ref. Pressure ( PSIA) : 14.70 Ref. Temp.(F) : 60.  
 COMPRESSOR: Frame : 6 HOS 4 Stroke (IN): 6.0 Rod Dia(IN): 2.500  
 .....Calc RPM : 1200.0 Max RPM : 1200.0 Cooler (HP): 58.0  
 DRIVER: Type : Gas Engine Avail (HP) : 1478.0 Model: 7042GL

DATE: Oct 2, 2000

FILE: 9404-420.DAT " 4"

CALC BY: J.Saxinger

Stage Number		1	2	3	
Gas		Natural	Natural	Natural	Ps (line)= 100 psig
Dry Gas Mol. Weight		17.958	17.958	17.958	Pd (line)= 1200 psig
Dry Gas Spec. Gravity		0.620	0.620	0.620	
Cp/Cv @ 14.7/60		1.287	1.287	1.287	Curve 6
Avg. Temp. Expon. (K)		1.258	1.260	1.275	
Avg. Vol. Expon. (N)		1.256	1.261	1.292	
Gas Crit. Temperature	R	371.286	371.286	371.286	
Gas Crit. Pressure	PSIA	672.998	672.998	672.998	
Z Standard		0.998	0.998	0.998	
Z Suction		0.987	0.975	0.941	
Z Discharge		0.986	0.976	0.949	
Inlet Temperature	F	110.00	120.00	120.00	
Inlet Press. @ Cyl Flg	PSIG	98.00	212.59	521.93	
Interstage Press. Drop	%	1.75	1.50	1.00	
Disch. Press. @ Cyl Flg	PSIG	216.61	530.08	1212.00	
Ratio of Compression		2.065	2.405	2.289	
Adiabatic Disch. Temp.	F	201.35	234.91	233.31	
Est. Actual Disch. Temp	F	223.63	252.71	244.73	
Stg. Piston Displ.	CFM	1452.2	570.2	215.2	
Stg. Inlet Capacity	ACFM	762.1	376.2	152.5	
CAPACITY ACTUAL WET	MMSCFD	7.67	7.64	7.61	
CAPACITY ACTUAL DRY	MMSCFD	7.58	7.58	7.58	
TOTAL COMPRESSOR POWER	HP	1222.27			

Stage number at (HE/CE)		1/1	0/0	2/2	3/3
Frame Ext/Cyl. Bore	#/IN	1/15.000	3/10.000	2/ 9.500	4/ 6.000
Cylinder Pattern		G12203	BALANCE	G12199	G12196
RDP	PSIG	450.0	0.0	1150.0	1750.0
MAWP	PSIG	495.0	0.0	1265.0	1925.0
Cyl. Action/HE Rod Dia. Act./IN	DA/0.00	NA/0.00	DA/0.00	DA/0.00	DA/0.00
Brake power / Cylinder	HP	364.9	0.0	422.6	378.0
HE Disch. Vol. Eff.	%	11.84	0.00	27.48	38.44
CE Disch. Vol. Eff.	%	47.61	0.00	38.69	36.03
HE Inlet Vol. Eff.	%	21.08	0.00	55.13	72.96
CE Inlet Vol. Eff.	%	84.78	0.00	77.62	68.38
Avg. Inlet Vol. Eff.	%	52.93	0.00	66.37	70.67
HE Clearance Req'd.	%	95.80	0.00	40.15	24.80
HE Clearance Min.	%	14.50	0.00	17.10	24.80
HE Pocket Open	%	100.00	0.00	25.00	0.00
HE Clearance Added	IN3	862.0	0.0	98.0	0.0
CE Clearance Req'd.	%	14.20	0.00	17.80	29.90
CE Clearance Min.	%	14.20	0.00	17.80	29.90
CE Clearance Added	IN3	0.0	0.0	0.0	0.0
Valve Model - HE		PF67	XXXX	PF48	PF48
Valve Model - CE		PF67	XXXX	PF48	PF48
Valves / Corner (HE/CE)		2/2	0/0	2/2	1/1
Valve Lift - HE	IN	0.080	0.000	0.080	0.080
Valve Lift - CE	IN	0.080	0.000	0.080	0.080
Valve Lift Area - HE	SQIN	10.420	0.000	5.640	5.640
Valve Lift Area - CE	SQIN	10.420	0.000	5.640	5.640
API Inlet Vlv Vel Avg.	FPM	10034.2	0.0	7279.6	5493.6
Flange Gas Load - T	LBF	19897	0	19903	13562
Flange Gas Load - C	LBF	-21441	0	-23548	-22073
Max. Allow. Gas Load	LBF	60000	60000	60000	60000
Combined Rod Load - T	LBF	31253	42942	29220	24297
Combined Rod Load - C	LBF	-34446	-29381	-32897	-27149
Max Allow Rod Load	LBF	60000	60000	60000	60000
Recip. Weight @ XHD Pin	LB	362.0	295.0	362.0	295.0
Reversal @ XHD Pin	DEG	180.0	160.0	165.0	160.0

DRESSER-RAND GAS FIELD COMPRESSOR PERFORMANCE (DRSIZE copyright 1996-2000 V1.3a)

PACKAGER: PROPAK COMPRESSION  
 LOCATION: Hamburg (2-6), Alberta  
 JOB/REF : Apache Canada / Optima Engineers  
 JOBSITE : Amb T (F) : 90. Alt. (FT) : 2500. Atm ( PSIA): 13.42  
 Ref. Pressure ( PSIA) : 14.70 Ref. Temp.(F): 60.  
 COMPRESSOR: Frame : 6 HOS 4 Stroke (IN): 6.0 Rod Dia(IN): 2.500  
 .....Calc RPM : 1200.0 Max RPM : 1200.0 Cooler (HP): 58.0  
 DRIVER: Type : Gas Engine Avail (HP) : 1478.0 Model: 7042GL

DATE: Oct 2, 2000  
 FILE: 9404-420.DAT " 3"

CALC BY: J.Saxinger

Stage Number		1	2	3	
Gas		Natural	Natural	Natural	Ps (line)= 75 psig
Dry Gas Mol. Weight		17.958	17.958	17.958	Pd (line)= 1200 psig
Dry Gas Spec. Gravity		0.620	0.620	0.620	
Cp/Cv @ 14.7/60		1.287	1.287	1.287	Curve 6
Avg. Temp. Expon. (K)		1.257	1.256	1.269	
Avg. Vol. Expon. (N)		1.255	1.257	1.286	
Gas Crit. Temperature	R	371.286	371.286	371.286	
Gas Crit. Pressure	PSIA	672.998	672.998	672.998	
Z Standard		0.998	0.998	0.998	
Z Suction		0.990	0.980	0.950	
Z Discharge		0.989	0.981	0.959	
Inlet Temperature	F	110.00	120.00	120.00	
Inlet Press. @ Cyl Flg	PSIG	73.50	166.38	440.72	
Interstage Press. Drop	%	1.75	1.50	1.00	
Disch. Press. @ Cyl Flg	PSIG	169.59	447.63	1212.00	
Ratio of Compression		2.106	2.564	2.698	
Adiabatic Disch. Temp.	F	203.54	242.83	255.95	
Est. Actual Disch. Temp	F	226.94	261.87	269.63	
Stg. Piston Displ.	CFM	1452.2	570.2	215.2	
Stg. Inlet Capacity	ACFM	736.0	356.7	136.0	
CAPACITY ACTUAL WET	MMSCFD	5.76	5.73	5.70	
CAPACITY ACTUAL DRY	MMSCFD	5.68	5.68	5.68	
TOTAL COMPRESSOR POWER	HP	1027.68			

Stage number at (HE/CE)		1/1	0/0	2/2	3/3
Frame Ext/Cyl. Bore	#/IN	1/15.000	3/10.000	2/ 9.500	4/ 6.000
Cylinder Pattern		G12203	BALANCE	G12199	G12196
RDP	PSIG	450.0	0.0	1150.0	1750.0
MAWP	PSIG	495.0	0.0	1265.0	1925.0
Cyl. Action/HE Rod Dia. Act./IN	DA/0.00	NA/0.00	DA/0.00	DA/0.00	DA/0.00
Brake power / Cylinder	HP	283.4	0.0	342.3	345.2
HE Disch. Vol. Eff.	%	10.00	0.00	23.90	30.45
CE Disch. Vol. Eff.	%	46.52	0.00	35.68	27.71
HE Inlet Vol. Eff.	%	18.11	0.00	50.54	65.91
CE Inlet Vol. Eff.	%	84.18	0.00	75.47	59.97
Avg. Inlet Vol. Eff.	%	51.15	0.00	63.00	62.94
HE Clearance Req'd.	%	95.80	0.00	40.15	24.80
HE Clearance Min.	%	14.50	0.00	17.10	24.80
HE Pocket Open	%	100.00	0.00	25.00	0.00
HE Clearance Added	IN3	862.0	0.0	98.0	0.0
CE Clearance Req'd.	%	14.20	0.00	17.80	29.90
CE Clearance Min.	%	14.20	0.00	17.80	29.90
CE Clearance Added	IN3	0.0	0.0	0.0	0.0
Valve Model - HE		PF67	XXXX	PF48	PF48
Valve Model - CE		PF67	XXXX	PF48	PF48
Valves / Corner (HE/CE)		2/2	0/0	2/2	1/1
Valve Lift - HE	IN	0.080	0.000	0.080	0.080
Valve Lift - CE	IN	0.080	0.000	0.080	0.080
Valve Lift Area - HE	SQIN	10.420	0.000	5.640	5.640
Valve Lift Area - CE	SQIN	10.420	0.000	5.640	5.640
API Inlet Vlv Vel Avg.	FPM	10034.2	0.0	7279.6	5493.6
Flange Gas Load - T	LBF	16148	0	17738	15858
Flange Gas Load - C	LBF	-17341	0	-20752	-23971
Max. Allow. Gas Load	LBF	60000	60000	60000	60000
Combined Rod Load - T	LBF	35354	42942	31942	22125
Combined Rod Load - C	LBF	-33826	-29381	-31179	-23957
Max Allow Rod Load	LBF	60000	60000	60000	60000
Recip. Weight @ XHD Pin	LB	362.0	295.0	362.0	295.0
Reversal @ XHD Pin	DEG	175.0	160.0	170.0	150.0

DRESSER-RAND GAS FIELD COMPRESSOR PERFORMANCE (DRSIZE copyright 1996-2000 V1.3a)

PACKAGER: PROPAK COMPRESSION DATE: Oct 2, 2000  
 LOCATION: Hamburg (2-6), Alberta FILE: 9404-420.DAT " 4"  
 JOB/REF : Apache Canada / Optima Engineers CALC BY: J.Saxinger  
 JOBSITE : Amb T (F) : 90. Alt. (FT) : 2500. Atm ( PSIA): 13.42  
 Ref. Pressure ( PSIA) : 14.70 Ref. Temp.(F): 60.  
 COMPRESSOR: Frame : 6 HOS 4 Stroke (IN): 6.0 Rod Dia(IN): 2.500  
 .....Calc RPM : 1200.0 Max RPM : 1200.0 Cooler (HP): 58.0  
 DRIVER: Type : Gas Engine Avail (HP) : 1478.0 Model: 7042GL

Stage Number		1	2	3	
Gas		Natural	Natural	Natural	Ps (line)= 100 psig
Dry Gas Mol. Weight		17.958	17.958	17.958	Pd (line)= 1200 psig
Dry Gas Spec. Gravity		0.620	0.620	0.620	
Cp/Cv @ 14.7/60		1.287	1.287	1.287	Curve 5
Avg. Temp. Expon. (K)		1.259	1.258	1.276	
Avg. Vol. Expon. (N)		1.257	1.260	1.294	
Gas Crit. Temperature	R	371.286	371.286	371.286	
Gas Crit. Pressure	PSIA	672.998	672.998	672.998	
Z Standard		0.998	0.998	0.998	
Z Suction		0.987	0.976	0.938	
Z Discharge		0.986	0.977	0.946	
Inlet Temperature	F	110.00	120.00	120.00	
Inlet Press. @ Cyl Flg	PSIG	98.00	201.29	546.54	
Interstage Press. Drop	%	1.75	1.50	1.00	
Disch. Press. @ Cyl Flg	PSIG	205.11	555.07	1212.00	
Ratio of Compression		1.961	2.648	2.188	
Adiabatic Disch. Temp.	F	194.61	248.08	227.13	
Est. Actual Disch. Temp	F	216.79	266.45	238.06	
Stg. Piston Displ.	CFM	1452.2	570.2	215.2	
Stg. Inlet Capacity	ACFM	821.2	427.4	156.7	
CAPACITY ACTUAL WET	MMSCFD	8.27	8.24	8.20	
CAPACITY ACTUAL DRY	MMSCFD	8.17	8.17	8.17	
TOTAL COMPRESSOR POWER	HP	1314.82			

Stage number at (HE/CE)		1/1	0/0	2/2	3/3
Frame Ext/Cyl. Bore	#/IN	1/15.000	3/10.000	2/ 9.500	4/ 6.000
Cylinder Pattern		G12203	BALANCE	G12199	G12196
RDP	PSIG	450.0	0.0	1150.0	1750.0
MAWP	PSIG	495.0	0.0	1265.0	1925.0
Cyl. Action/HE Rod Dia. Act./IN	DA/0.00	NA/0.00	DA/0.00	DA/0.00	DA/0.00
Brake power / Cylinder	HP	368.9	0.0	505.4	383.9
HE Disch. Vol. Eff.	%	16.40	0.00	34.78	40.81
CE Disch. Vol. Eff.	%	50.25	0.00	34.41	38.49
HE Inlet Vol. Eff.	%	28.03	0.00	75.35	74.73
CE Inlet Vol. Eff.	%	85.89	0.00	74.54	70.49
Avg. Inlet Vol. Eff.	%	56.96	0.00	74.94	72.61
HE Clearance Req'd.	%	95.80	0.00	17.10	24.80
HE Clearance Min.	%	14.50	0.00	17.10	24.80
HE Pocket Open	%	100.00	0.00	0.00	0.00
HE Clearance Added	IN3	862.0	0.0	0.0	0.0
CE Clearance Req'd.	%	14.20	0.00	17.80	29.90
CE Clearance Min.	%	14.20	0.00	17.80	29.90
CE Clearance Added	IN3	0.0	0.0	0.0	0.0
Valve Model - HE		PF67	XXXX	PF48	PF48
Valve Model - CE		PF67	XXXX	PF48	PF48
Valves / Corner (HE/CE)		2/2	0/0	2/2	1/1
Valve Lift - HE	IN	0.080	0.000	0.080	0.080
Valve Lift - CE	IN	0.080	0.000	0.080	0.080
Valve Lift Area - HE	SQIN	10.420	0.000	5.640	5.640
Valve Lift Area - CE	SQIN	10.420	0.000	5.640	5.640
API Inlet Vlv Vel Avg.	FEM	10034.2	0.0	7279.6	5493.6
Flange Gas Load - T	LBF	17922	0	22352	12866
Flange Gas Load - C	LBF	-19410	0	-26065	-21498
Max. Allow. Gas Load	LBF	60000	60000	60000	60000
Combined Rod Load - T	LBF	33285	42942	33531	24961
Combined Rod Load - C	LBF	-34440	-29381	-32509	-28118
Max Allow Rod Load	LBF	60000	60000	60000	60000
Recip. Weight @ XHD Pin	LB	362.0	295.0	362.0	295.0
Reversal @ XHD Pin	DEG	180.0	160.0	170.0	155.0

DRESSER-RAND GAS FIELD COMPRESSOR PERFORMANCE (DRSIZE copyright 1996-2000 V1.3a)

PACKAGER: PROPAK COMPRESSION  
 LOCATION: Hamburg (2-6), Alberta  
 JOB/REF : Apache Canada / Optima Engineers  
 JOBSITE : Amb T (F) : 90. Alt. (FT) : 2500. Atm ( PSIA): 13.42  
 Ref. Pressure ( PSIA) : 14.70 Ref. Temp.(F) : 60.  
 COMPRESSOR: Frame : 6 HOS 4 Stroke (IN): 6.0 Rod Dia(IN): 2.500  
 .....Calc RPM : 1200.0 Max RPM : 1200.0 Cooler (HP): 58.0  
 DRIVER: Type : Gas Engine Avail (HP) : 1478.0 Model: 7042GL

DATE: Oct 2, 2000

FILE: 9404-420.DAT " 3"

CALC BY: J.Saxinger

Stage Number		1	2	3	
Gas		Natural	Natural	Natural	Ps (line)= 75 psig
Dry Gas Mol. Weight		17.958	17.958	17.958	Pd (line)= 1200 psig
Dry Gas Spec. Gravity		0.620	0.620	0.620	
Cp/Cv @ 14.7/60		1.287	1.287	1.287	Curve 5
Avg. Temp. Expon. (K)		1.257	1.255	1.271	
Avg. Vol. Expon. (N)		1.256	1.256	1.287	
Gas Crit. Temperature	R	371.286	371.286	371.286	
Gas Crit. Pressure	PSIA	672.998	672.998	672.998	
Z Standard		0.998	0.998	0.998	
Z Suction		0.990	0.981	0.947	
Z Discharge		0.989	0.982	0.956	
Inlet Temperature	F	110.00	120.00	120.00	
Inlet Press. @ Cyl Flg	PSIG	73.50	156.39	462.94	
Interstage Press. Drop	%	1.75	1.50	1.00	
Disch. Press. @ Cyl Flg	PSIG	159.41	470.19	1212.00	
Ratio of Compression		1.988	2.848	2.572	
Adiabatic Disch. Temp.	F	196.05	257.19	249.37	
Est. Actual Disch. Temp	F	219.27	276.98	262.31	
Stg. Piston Displ.	CFM	1452.2	570.2	215.2	
Stg. Inlet Capacity	ACFM	802.8	412.7	141.0	
CAPACITY ACTUAL WET	MMSCFD	6.29	6.26	6.22	
CAPACITY ACTUAL DRY	MMSCFD	6.19	6.19	6.19	
TOTAL COMPRESSOR POWER	HP	1117.04			

Stage number at (HE/CE)		1/1	0/0	2/2	3/3
Frame Ext/Cyl. Bore	#/IN	1/15.000	3/10.000	2/ 9.500	4/ 6.000
Cylinder Pattern		G12203	BALANCE	G12199	G12196
RDP	PSIG	450.0	0.0	1150.0	1750.0
MAWP	PSIG	495.0	0.0	1265.0	1925.0
Cyl. Action/HE Rod Dia. Act./IN	DA/0.00	NA/0.00	DA/0.00	DA/0.00	DA/0.00
Brake power / Cylinder	HP	288.3	0.0	415.6	356.4
HE Disch. Vol. Eff.	%	15.02	0.00	31.64	32.67
CE Disch. Vol. Eff.	%	49.42	0.00	31.24	30.01
HE Inlet Vol. Eff.	%	25.97	0.00	72.81	68.05
CE Inlet Vol. Eff.	%	85.44	0.00	71.90	62.53
Avg. Inlet Vol. Eff.	%	55.70	0.00	72.35	65.29
HE Clearance Req'd.	%	95.80	0.00	17.10	24.80
HE Clearance Min.	%	14.50	0.00	17.10	24.80
HE Pocket Open	%	100.00	0.00	0.00	0.00
HE Clearance Added	IN3	862.0	0.0	0.0	0.0
CE Clearance Req'd.	%	14.20	0.00	17.80	29.90
CE Clearance Min.	%	14.20	0.00	17.80	29.90
CE Clearance Added	IN3	0.0	0.0	0.0	0.0
Valve Model - HE		PF67	XXXX	PF48	PF48
Valve Model - CE		PF67	XXXX	PF48	PF48
Valves / Corner (HE/CE)		2/2	0/0	2/2	1/1
Valve Lift - HE	IN	0.080	0.000	0.080	0.080
Valve Lift - CE	IN	0.080	0.000	0.080	0.080
Valve Lift Area - HE	SQIN	10.420	0.000	5.640	5.640
Valve Lift Area - CE	SQIN	10.420	0.000	5.640	5.640
API Inlet Vlv Vel Avg.	FPM	10034.2	0.0	7279.6	5493.6
Flange Gas Load - T	LBF	14400	0	19935	15230
Flange Gas Load - C	LBF	-15543	0	-23011	-23452
Max. Allow. Gas Load	LBF	60000	60000	60000	60000
Combined Rod Load - T	LBF	37152	42942	33796	22705
Combined Rod Load - C	LBF	-33831	-29381	-30394	-24829
Max Allow Rod Load	LBF	60000	60000	60000	60000
Recip. Weight @ XHD Pin	LB	362.0	295.0	362.0	295.0
Reversal @ XHD Pin	DEG	175.0	160.0	170.0	160.0

DRESSER-RAND GAS FIELD COMPRESSOR PERFORMANCE (DRSIZE copyright 1996-2000 V1.3a)

PACKAGER: PROPAK COMPRESSION DATE: Oct 2, 2000  
 LOCATION: Hamburg (2-6), Alberta FILE: 9404-420.DAT " 2"  
 JOB/REF : Apache Canada / Optima Engineers CALC BY: J.Saxinger  
 JOBSITE : Amb T (F) : 90. Alt. (FT) : 2500. Atm ( PSIA): 13.42  
 Ref. Pressure ( PSIA) : 14.70 Ref. Temp.(F): 60.  
 COMPRESSOR: Frame : 6 HOS 4 Stroke (IN): 6.0 Rod Dia(IN): 2.500  
 .....Calc RPM : 1200.0 Max RPM : 1200.0 Cooler (HP): 58.0  
 DRIVER: Type : Gas Engine Avail (HP) : 1478.0 Model: 7042GL

Stage Number		1	2	3	
Gas		Natural	Natural	Natural	Ps (line)= 50 psig
Dry Gas Mol. Weight		17.958	17.958	17.958	Pd (line)= 1200 psig
Dry Gas Spec. Gravity		0.620	0.620	0.620	
Cp/Cv @ 14.7/60		1.287	1.287	1.287	Curve 5
Avg. Temp. Expon. (K)		1.255	1.251	1.265	
Avg. Vol. Expon. (N)		1.254	1.252	1.280	
Gas Crit. Temperature	R	371.286	371.286	371.286	
Gas Crit. Pressure	PSIA	672.998	672.998	672.998	
Z Standard		0.998	0.998	0.998	
Z Suction		0.993	0.986	0.957	
Z Discharge		0.992	0.987	0.967	
Inlet Temperature	F	110.00	120.00	120.00	
Inlet Press. @ Cyl Flg	PSIG	49.00	111.25	377.61	
Interstage Press. Drop	%	1.75	1.50	1.00	
Disch. Press. @ Cyl Flg	PSIG	113.47	383.56	1212.00	
Ratio of Compression		2.033	3.184	3.134	
Adiabatic Disch. Temp.	F	198.48	271.59	276.64	
Est. Actual Disch. Temp	F	223.40	293.51	293.20	
Stg. Piston Displ.	CFM	1452.2	570.2	215.2	
Stg. Inlet Capacity	ACFM	772.8	388.4	119.0	
CAPACITY ACTUAL WET	MMSCFD	4.33	4.30	4.26	
CAPACITY ACTUAL DRY	MMSCFD	4.24	4.24	4.24	
TOTAL COMPRESSOR POWER	HP	886.50			

Stage number at (HE/CE)		1/1	0/0	2/2	3/3
Frame Ext/Cyl. Bore	#/IN	1/15.000	3/10.000	2/ 9.500	4/ 6.000
Cylinder Pattern		G12203	BALANCE	G12199	G12196
RDP	PSIG	450.0	0.0	1150.0	1750.0
MAWP	PSIG	495.0	0.0	1265.0	1925.0
Cyl. Action/HE Rod Dia. Act./IN	DA/0.00	DA/0.00	NA/0.00	DA/0.00	DA/0.00
Brake power / Cylinder	HP	207.3	0.0	319.7	302.8
HE Disch. Vol. Eff.	%	12.85	0.00	27.21	24.02
CE Disch. Vol. Eff.	%	48.10	0.00	26.79	21.01
HE Inlet Vol. Eff.	%	22.62	0.00	68.63	58.62
CE Inlet Vol. Eff.	%	84.68	0.00	67.57	51.27
Avg. Inlet Vol. Eff.	%	53.65	0.00	68.10	54.95
HE Clearance Req'd.	%	95.80	0.00	17.10	24.80
HE Clearance Min.	%	14.50	0.00	17.10	24.80
HE Pocket Open	%	100.00	0.00	0.00	0.00
HE Clearance Added	IN3	862.0	0.0	0.0	0.0
CE Clearance Req'd.	%	14.20	0.00	17.80	29.90
CE Clearance Min.	%	14.20	0.00	17.80	29.90
CE Clearance Added	IN3	0.0	0.0	0.0	0.0
Valve Model - HE		PF67	XXXX	PF48	PF48
Valve Model - CE		PF67	XXXX	PF48	PF48
Valves / Corner (HE/CE)		2/2	0/0	2/2	1/1
Valve Lift - HE	IN	0.080	0.000	0.080	0.080
Valve Lift - CE	IN	0.080	0.000	0.080	0.080
Valve Lift Area - HE	SQIN	10.420	0.000	5.640	5.640
Valve Lift Area - CE	SQIN	10.420	0.000	5.640	5.640
API Inlet Vlv Vel Avg.	FPM	10034.2	0.0	7279.6	5493.6
Flange Gas Load - T	LBF	10835	0	17419	17643
Flange Gas Load - C	LBF	-11633	0	-19848	-25446
Max. Allow. Gas Load	LBF	60000	60000	60000	60000
Combined Rod Load - T	LBF	41062	42942	34716	20480
Combined Rod Load - C	LBF	-33222	-29381	-28595	-21482
Max Allow Rod Load	LBF	60000	60000	60000	60000
Recip. Weight @ XHD Pin	LB	362.0	295.0	362.0	295.0
Reversal @ XHD Pin	DEG	175.0	160.0	150.0	140.0



DRESSER-RAND GAS FIELD COMPRESSOR PERFORMANCE (DRSIZE copyright 1996-2000 V1.3a)

PACKAGER: PROPAK COMPRESSION DATE: Oct 2, 2000  
 LOCATION: Hamburg (2-6), Alberta FILE: 9404-420.DAT " 4"  
 JOB/REF : Apache Canada / Optima Engineers CALC BY: J.Saxinger  
 JOBSITE : Amb T (F) : 90. Alt. (FT) : 2500. Atm ( PSIA): 13.42  
 Ref. Pressure ( PSIA) : 14.70 Ref. Temp.(F): 60.  
 COMPRESSOR: Frame : 6 HOS 4 Stroke (IN): 6.0 Rod Dia(IN): 2.500  
 .....Calc RPM : 1200.0 Max RPM : 1200.0 Cooler (HP): 58.0  
 DRIVER: Type : Gas Engine Avail (HP) : 1478.0 Model: 7042GL

Stage Number		1	2	3	
Gas		Natural	Natural	Natural	Ps (line)= 100 psig
Dry Gas Mol. Weight		17.958	17.958	17.958	Pd (line)= 1200 psig
Dry Gas Spec. Gravity		0.620	0.620	0.620	
Cp/Cv @ 14.7/60		1.287	1.287	1.287	Curve 4
Avg. Temp. Expon. (K)		1.258	1.259	1.278	
Avg. Vol. Expon. (N)		1.256	1.261	1.296	
Gas Crit. Temperature	R	371.286	371.286	371.286	
Gas Crit. Pressure	PSIA	672.998	672.998	672.998	
Z Standard		0.998	0.998	0.998	
Z Suction		0.987	0.975	0.935	
Z Discharge		0.986	0.976	0.943	
Inlet Temperature	F	110.00	120.00	120.00	
Inlet Press. @ Cyl Flg	PSIG	98.00	213.41	568.91	
Interstage Press. Drop	%	1.75	1.50	1.00	
Disch. Press. @ Cyl Flg	PSIG	217.45	577.78	1212.00	
Ratio of Compression		2.072	2.606	2.104	
Adiabatic Disch. Temp.	F	201.83	246.15	221.76	
Est. Actual Disch. Temp	F	224.41	264.20	232.29	
Stg. Piston Displ.	CFM	1452.2	570.2	215.2	
Stg. Inlet Capacity	ACFM	875.4	430.5	160.1	
CAPACITY ACTUAL WET	MMSCFD	8.81	8.78	8.74	
CAPACITY ACTUAL DRY	MMSCFD	8.71	8.71	8.71	
TOTAL COMPRESSOR POWER	HP	1395.38			

Stage number at (HE/CE)		1/1	0/0	2/2	3/3
Frame Ext/Cyl. Bore	#/IN	1/15.000	3/10.000	2/ 9.500	4/ 6.000
Cylinder Pattern		G12203	BALANCE	G12199	G12196
RDP	PSIG	450.0	0.0	1150.0	1750.0
MAWP	PSIG	495.0	0.0	1265.0	1925.0
Cyl. Action/HE Rod Dia. Act./IN	DA/0.00	DA/0.00	NA/0.00	DA/0.00	DA/0.00
Brake power / Cylinder	HP	422.1	0.0	528.9	387.6
HE Disch. Vol. Eff.	%	20.46	0.00	35.49	42.94
CE Disch. Vol. Eff.	%	47.43	0.00	35.12	40.71
HE Inlet Vol. Eff.	%	36.55	0.00	75.88	76.22
CE Inlet Vol. Eff.	%	84.70	0.00	75.09	72.27
Avg. Inlet Vol. Eff.	%	60.62	0.00	75.49	74.24
HE Clearance Req'd.	%	75.48	0.00	17.10	24.80
HE Clearance Min.	%	14.50	0.00	17.10	24.80
HE Pocket Open	%	75.00	0.00	0.00	0.00
HE Clearance Added	IN3	646.5	0.0	0.0	0.0
CE Clearance Req'd.	%	14.20	0.00	17.80	29.90
CE Clearance Min.	%	14.20	0.00	17.80	29.90
CE Clearance Added	IN3	0.0	0.0	0.0	0.0
Valve Model - HE		PF67	XXXX	PF48	PF48
Valve Model - CE		PF67	XXXX	PF48	PF48
Valves / Corner (HE/CE)		2/2	0/0	2/2	1/1
Valve Lift - HE	IN	0.080	0.000	0.080	0.080
Valve Lift - CE	IN	0.080	0.000	0.080	0.080
Valve Lift Area - HE	SQIN	10.420	0.000	5.640	5.640
Valve Lift Area - CE	SQIN	10.420	0.000	5.640	5.640
API Inlet Vlv Vel Avg.	FPM	10034.2	0.0	7279.6	5493.6
Flange Gas Load - T	LBF	20041	0	22991	12234
Flange Gas Load - C	LBF	-21589	0	-26875	-20976
Max. Allow. Gas Load	LBF	60000	60000	60000	60000
Combined Rod Load - T	LBF	31106	42942	33567	25565
Combined Rod Load - C	LBF	-34658	-29381	-33087	-28821
Max Allow Rod Load	LBF	60000	60000	60000	60000
Recip. Weight @ XHD Pin	LB	362.0	295.0	362.0	295.0
Reversal @ XHD Pin	DEG	180.0	160.0	170.0	155.0

DRESSER-RAND GAS FIELD COMPRESSOR PERFORMANCE (DRSIZE copyright 1996-2000 V1.3a)

PACKAGER: PROPAK COMPRESSION DATE: Oct 2, 2000  
 LOCATION: Hamburg (2-6), Alberta FILE: 9404-420.DAT " 3"  
 JOB/REF : Apache Canada / Optima Engineers CALC BY: J.Saxinger  
 JOBSITE : Amb T (F) : 90. Alt. (FT) : 2500. Atm ( PSIA): 13.42  
 Ref. Pressure ( PSIA) : 14.70 Ref. Temp.(F): 60.  
 COMPRESSOR: Frame : 6 HOS 4 Stroke (IN): 6.0 Rod Dia(IN): 2.500  
 .....Calc RPM : 1200.0 Max RPM : 1200.0 Cooler (HP): 58.0  
 DRIVER: Type : Gas Engine Avail (HP) : 1478.0 Model: 7042GL

Stage Number		1	2	3	
Gas		Natural	Natural	Natural	Ps (line)= 75 psig
Dry Gas Mol. Weight		17.958	17.958	17.958	Pd (line)= 1200 psig
Dry Gas Spec. Gravity		0.620	0.620	0.620	
Cp/Cv @ 14.7/60		1.287	1.287	1.287	Curve 4
Avg. Temp. Expon. (K)		1.257	1.255	1.272	
Avg. Vol. Expon. (N)		1.255	1.257	1.289	
Gas Crit. Temperature	R	371.286	371.286	371.286	
Gas Crit. Pressure	PSIA	672.998	672.998	672.998	
Z Standard		0.998	0.998	0.998	
Z Suction		0.990	0.980	0.945	
Z Discharge		0.989	0.981	0.954	
Inlet Temperature	F	110.00	120.00	120.00	
Inlet Press. @ Cyl Flg	PSIG	73.50	166.15	481.24	
Interstage Press. Drop	%	1.75	1.50	1.00	
Disch. Press. @ Cyl Flg	PSIG	169.35	488.77	1212.00	
Ratio of Compression		2.103	2.797	2.477	
Adiabatic Disch. Temp.	F	203.37	254.89	244.18	
Est. Actual Disch. Temp	F	226.97	274.32	256.59	
Stg. Piston Displ.	CFM	1452.2	570.2	215.2	
Stg. Inlet Capacity	ACFM	858.4	416.4	144.9	
CAPACITY ACTUAL WET	MMSCFD	6.72	6.69	6.64	
CAPACITY ACTUAL DRY	MMSCFD	6.62	6.62	6.62	
TOTAL COMPRESSOR POWER	HP	1187.29			

Stage number at (HE/CE)		1/1	0/0	2/2	3/3
Frame Ext/Cyl. Bore	#/IN	1/15.000	3/10.000	2/ 9.500	4/ 6.000
Cylinder Pattern		G12203	BALANCE	G12199	G12196
RDP	PSIG	450.0	0.0	1150.0	1750.0
MAWP	PSIG	495.0	0.0	1265.0	1925.0
Cyl. Action/HE Rod Dia. Act./IN	DA/0.00	NA/0.00	DA/0.00	DA/0.00	DA/0.00
Brake power / Cylinder	HP	330.6	0.0	435.6	364.3
HE Disch. Vol. Eff.	%	19.20	0.00	32.41	34.47
CE Disch. Vol. Eff.	%	46.58	0.00	32.02	31.90
HE Inlet Vol. Eff.	%	34.71	0.00	73.46	69.69
CE Inlet Vol. Eff.	%	84.21	0.00	72.57	64.48
Avg. Inlet Vol. Eff.	%	59.46	0.00	73.01	67.08
HE Clearance Req'd.	%	75.48	0.00	17.10	24.80
HE Clearance Min.	%	14.50	0.00	17.10	24.80
HE Pocket Open	%	75.00	0.00	0.00	0.00
HE Clearance Added	IN3	646.5	0.0	0.0	0.0
CE Clearance Req'd.	%	14.20	0.00	17.80	29.90
CE Clearance Min.	%	14.20	0.00	17.80	29.90
CE Clearance Added	IN3	0.0	0.0	0.0	0.0
Valve Model - HE		PF67	XXXX	PF48	PF48
Valve Model - CE		PF67	XXXX	PF48	PF48
Valves / Corner (HE/CE)		2/2	0/0	2/2	1/1
Valve Lift - HE	IN	0.080	0.000	0.080	0.080
Valve Lift - CE	IN	0.080	0.000	0.080	0.080
Valve Lift Area - HE	SQIN	10.420	0.000	5.640	5.640
Valve Lift Area - CE	SQIN	10.420	0.000	5.640	5.640
API Inlet Vlv Vel Avg.	FPM	10034.2	0.0	7279.6	5493.6
Flange Gas Load - T	LBF	16107	0	20469	14712
Flange Gas Load - C	LBF	-17299	0	-23683	-23024
Max. Allow. Gas Load	LBF	60000	60000	60000	60000
Combined Rod Load - T	LBF	35395	42942	33688	23199
Combined Rod Load - C	LBF	-34001	-29381	-30850	-25548
Max Allow Rod Load	LBF	60000	60000	60000	60000
Recip. Weight @ XHD Pin	LB	362.0	295.0	362.0	295.0
Reversal @ XHD Pin	DEG	175.0	160.0	170.0	160.0

DRESSER-RAND GAS FIELD COMPRESSOR PERFORMANCE (DRSIZE copyright 1996-2000 V1.3a)

PACKAGER: PROPAK COMPRESSION DATE: Oct 2, 2000  
 LOCATION: Hamburg (2-6), Alberta FILE: 9404-420.DAT " 2"  
 JOB/REF : Apache Canada / Optima Engineers CALC BY: J.Saxinger  
 JOBSITE : Amb T (F) : 90. Alt. (FT) : 2500. Atm ( PSIA): 13.42  
 Ref. Pressure ( PSIA) : 14.70 Ref. Temp. (F): 60.  
 COMPRESSOR: Frame : 6 HOS 4 Stroke (IN): 6.0 Rod Dia(IN): 2.500  
 .....Calc RPM : 1200.0 Max RPM : 1200.0 Cooler (HP): 58.0  
 DRIVER: Type : Gas Engine Avail (HP) : 1478.0 Model: 7042GL

Stage Number		1	2	3	
Gas		Natural	Natural	Natural	Ps (line)= 50 psig
Dry Gas Mol. Weight		17.958	17.958	17.958	Pd (line)= 1200 psig
Dry Gas Spec. Gravity		0.620	0.620	0.620	
Cp/Cv @ 14.7/60		1.287	1.287	1.287	Curve 4
Avg. Temp. Expon. (K)		1.255	1.252	1.266	
Avg. Vol. Expon. (N)		1.254	1.253	1.281	
Gas Crit. Temperature	R	371.286	371.286	371.286	
Gas Crit. Pressure	PSIA	672.998	672.998	672.998	
Z Standard		0.998	0.998	0.998	
Z Suction		0.993	0.986	0.955	
Z Discharge		0.992	0.986	0.965	
Inlet Temperature	F	110.00	120.00	120.00	
Inlet Press. @ Cyl Flg	PSIG	49.00	118.65	391.75	
Interstage Press. Drop	%	1.75	1.50	1.00	
Disch. Press. @ Cyl Flg	PSIG	121.01	397.92	1212.00	
Ratio of Compression		2.154	3.115	3.024	
Adiabatic Disch. Temp.	F	206.23	268.91	271.72	
Est. Actual Disch. Temp	F	231.54	290.44	287.50	
Stg. Piston Displ.	CFM	1452.2	570.2	215.2	
Stg. Inlet Capacity	ACFM	830.6	393.5	123.2	
CAPACITY ACTUAL WET	MMSCFD	4.66	4.62	4.58	
CAPACITY ACTUAL DRY	MMSCFD	4.56	4.56	4.56	
TOTAL COMPRESSOR POWER	HP	945.49			

Stage number at (HE/CE)		1/1	0/0	2/2	3/3
Frame Ext/Cyl. Bore	#/IN	1/15.000	3/10.000	2/ 9.500	4/ 6.000
Cylinder Pattern		G12203	BALANCE	G12199	G12196
RDP	PSIG	450.0	0.0	1150.0	1750.0
MAWP	PSIG	495.0	0.0	1265.0	1925.0
Cyl. Action/HE Rod Dia.	Act./IN	DA/0.00	NA/0.00	DA/0.00	DA/0.00
Brake power / Cylinder	HP	238.9	0.0	336.1	313.7
HE Disch. Vol. Eff.	%	17.21	0.00	28.07	25.48
CE Disch. Vol. Eff.	%	45.24	0.00	27.66	22.53
HE Inlet Vol. Eff.	%	31.72	0.00	69.51	60.43
CE Inlet Vol. Eff.	%	83.40	0.00	68.48	53.44
Avg. Inlet Vol. Eff.	%	57.56	0.00	68.99	56.93
HE Clearance Req'd.	%	75.48	0.00	17.10	24.80
HE Clearance Min.	%	14.50	0.00	17.10	24.80
HE Pocket Open	%	75.00	0.00	0.00	0.00
HE Clearance Added	IN3	646.5	0.0	0.0	0.0
CE Clearance Req'd.	%	14.20	0.00	17.80	29.90
CE Clearance Min.	%	14.20	0.00	17.80	29.90
CE Clearance Added	IN3	0.0	0.0	0.0	0.0
Valve Model - HE		PF67	XXXX	PF48	PF48
Valve Model - CE		PF67	XXXX	PF48	PF48
Valves / Corner (HE/CE)		2/2	0/0	2/2	1/1
Valve Lift - HE	IN	0.080	0.000	0.080	0.080
Valve Lift - CE	IN	0.080	0.000	0.080	0.080
Valve Lift Area - HE	SQIN	10.420	0.000	5.640	5.640
Valve Lift Area - CE	SQIN	10.420	0.000	5.640	5.640
API Inlet Vlv Vel Avg.	FPM	10034.2	0.0	7279.6	5493.6
Flange Gas Load - T	LBF	12131	0	17842	17243
Flange Gas Load - C	LBF	-12965	0	-20378	-25115
Max. Allow. Gas Load	LBF	60000	60000	60000	60000
Combined Rod Load - T	LBF	39730	42942	34525	20849
Combined Rod Load - C	LBF	-33050	-29381	-28865	-22036
Max Allow Rod Load	LBF	60000	60000	60000	60000
Recip. Weight @ XHD Pin	LB	362.0	295.0	362.0	295.0
Reversal @ XHD Pin	DEG	170.0	160.0	155.0	140.0

DRESSER-RAND GAS FIELD COMPRESSOR PERFORMANCE (DRSIZE copyright 1996-2000 V1.3a)

PACKAGER: PROPAK COMPRESSION DATE: Oct 2, 2000  
 LOCATION: Hamburg (2-6), Alberta FILE: 9404-420.DAT " 3"  
 JOB/REF : Apache Canada / Optima Engineers CALC BY: J.Saxinger  
 JOBSITE : Amb T (F) : 90. Alt. (FT) : 2500. Atm ( PSIA): 13.42  
 Ref. Pressure ( PSIA) : 14.70 Ref. Temp.(F): 60.  
 COMPRESSOR: Frame : 6 HOS 4 Stroke (IN): 6.0 Rod Dia(IN): 2.500  
 .....Calc RPM : 1200.0 Max RPM : 1200.0 Cooler (HP): 58.0  
 DRIVER: Type : Gas Engine Avail (HP) : 1478.0 Model: 7042GL

Stage Number		1	2	3	
Gas		Natural	Natural	Natural	Ps (line)= 75 psig
Dry Gas Mol. Weight		17.958	17.958	17.958	Pd (line)= 1200 psig
Dry Gas Spec. Gravity		0.620	0.620	0.620	
Cp/Cv @ 14.7/60		1.287	1.287	1.287	Curve 3
Avg. Temp. Expon. (K)		1.256	1.256	1.274	
Avg. Vol. Expon. (N)		1.255	1.258	1.291	
Gas Crit. Temperature	R	371.286	371.286	371.286	
Gas Crit. Pressure	PSIA	672.998	672.998	672.998	
Z Standard		0.998	0.998	0.998	
Z Suction		0.990	0.979	0.943	
Z Discharge		0.989	0.980	0.951	
Inlet Temperature	F	110.00	120.00	120.00	
Inlet Press. @ Cyl Flg	PSIG	73.50	178.37	503.99	
Interstage Press. Drop	%	1.75	1.50	1.00	
Disch. Press. @ Cyl Flg	PSIG	181.79	511.87	1212.00	
Ratio of Compression		2.246	2.739	2.368	
Adiabatic Disch. Temp.	F	212.04	252.28	237.99	
Est. Actual Disch. Temp	F	236.11	271.32	249.82	
Stg. Piston Displ.	CFM	1452.2	570.2	215.2	
Stg. Inlet Capacity	ACFM	927.9	420.7	149.3	
CAPACITY ACTUAL WET	MMSCFD	7.26	7.22	7.18	
CAPACITY ACTUAL DRY	MMSCFD	7.16	7.16	7.16	
TOTAL COMPRESSOR POWER	HP	1275.85			

Stage number at (HE/CE)		1/1	0/0	2/2	3/3
Frame Ext/Cyl. Bore	#/IN	1/15.000	3/10.000	2/ 9.500	4/ 6.000
Cylinder Pattern		G12203	BALANCE	G12199	G12196
RDP	PSIG	450.0	0.0	1150.0	1750.0
MAWP	PSIG	495.0	0.0	1265.0	1925.0
Cyl. Action/HE Rod Dia.	Act./IN	DA/0.00	NA/0.00	DA/0.00	DA/0.00
Brake power / Cylinder	HP	386.4	0.0	460.1	372.6
HE Disch. Vol. Eff.	%	23.93	0.00	33.30	36.70
CE Disch. Vol. Eff.	%	43.40	0.00	32.91	34.22
HE Inlet Vol. Eff.	%	45.61	0.00	74.19	71.58
CE Inlet Vol. Eff.	%	82.70	0.00	73.33	66.73
Avg. Inlet Vol. Eff.	%	64.16	0.00	73.76	69.15
HE Clearance Req'd.	%	55.15	0.00	17.10	24.80
HE Clearance Min.	%	14.50	0.00	17.10	24.80
HE Pocket Open	%	50.00	0.00	0.00	0.00
HE Clearance Added	IN3	431.0	0.0	0.0	0.0
CE Clearance Req'd.	%	14.20	0.00	17.80	29.90
CE Clearance Min.	%	14.20	0.00	17.80	29.90
CE Clearance Added	IN3	0.0	0.0	0.0	0.0
Valve Model - HE		PF67	XXXX	PF48	PF48
Valve Model - CE		PF67	XXXX	PF48	PF48
Valves / Corner (HE/CE)		2/2	0/0	2/2	1/1
Valve Lift - HE	IN	0.080	0.000	0.080	0.080
Valve Lift - CE	IN	0.080	0.000	0.080	0.080
Valve Lift Area - HE	SQIN	10.420	0.000	5.640	5.640
Valve Lift Area - CE	SQIN	10.420	0.000	5.640	5.640
API Inlet Vlv Vel Avg.	FPM	10034.2	0.0	7279.6	5493.6
Flange Gas Load - T	LBF	18244	0	21127	14069
Flange Gas Load - C	LBF	-19497	0	-24515	-22492
Max. Allow. Gas Load	LBF	60000	60000	60000	60000
Combined Rod Load - T	LBF	33198	42942	33558	23813
Combined Rod Load - C	LBF	-33418	-29381	-31423	-26474
Max Allow Rod Load	LBF	60000	60000	60000	60000
Recip. Weight @ XHD Pin	LB	362.0	295.0	362.0	295.0
Reversal @ XHD Pin	DEG	175.0	160.0	165.0	160.0

DRESSER-RAND GAS FIELD COMPRESSOR PERFORMANCE (DRSIZE copyright 1996-2000 V1.3a)

PACKAGER: PROPAK COMPRESSION  
 LOCATION: Hamburg (2-6), Alberta  
 JOB/REF : Apache Canada / Optima Engineers  
 JOBSITE : Amb T (F) : 90. Alt. (FT) : 2500. Atm ( PSIA): 13.42  
 Ref. Pressure ( PSIA) : 14.70 Ref. Temp.(F): 60.  
 COMPRESSOR: Frame : 6 HOS 4 Stroke (IN): 6.0 Rod Dia(IN): 2.500  
 .....Calc RPM : 1200.0 Max RPM : 1200.0 Cooler (HP): 58.0  
 DRIVER: Type : Gas Engine Avail (HP) : 1478.0 Model: 7042GL

DATE: Oct 2, 2000

FILE: 9404-420.DAT " 2"

CALC BY: J.Saxinger

Stage Number		1	2	3	
Gas		Natural	Natural	Natural	Ps (line)= 50 psig
Dry Gas Mol. Weight		17.958	17.958	17.958	Pd (line)= 1200 psig
Dry Gas Spec. Gravity		0.620	0.620	0.620	
Cp/Cv @ 14.7/60		1.287	1.287	1.287	Curve 3
Avg. Temp. Expon. (K)		1.254	1.252	1.267	
Avg. Vol. Expon. (N)		1.253	1.253	1.283	
Gas Crit. Temperature	R	371.286	371.286	371.286	
Gas Crit. Pressure	PSIA	672.998	672.998	672.998	
Z Standard		0.998	0.998	0.998	
Z Suction		0.993	0.985	0.953	
Z Discharge		0.992	0.985	0.963	
Inlet Temperature	F	110.00	120.00	120.00	
Inlet Press. @ Cyl Flg	PSIG	49.00	127.87	409.20	
Interstage Press. Drop	%	1.75	1.50	1.00	
Disch. Press. @ Cyl Flg	PSIG	130.38	415.64	1212.00	
Ratio of Compression		2.304	3.037	2.900	
Adiabatic Disch. Temp.	F	214.98	265.40	265.89	
Est. Actual Disch. Temp	F	240.71	286.40	280.83	
Stg. Piston Displ.	CFM	1452.2	570.2	215.2	
Stg. Inlet Capacity	ACFM	902.7	399.0	128.1	
CAPACITY ACTUAL WET	MMSCFD	5.06	5.02	4.98	
CAPACITY ACTUAL DRY	MMSCFD	4.96	4.96	4.96	
TOTAL COMPRESSOR POWER	HP	1019.06			

Stage number at (HE/CE)		1/1	0/0	2/2	3/3
Frame Ext/Cyl. Bore	#/IN	1/15.000	3/10.000	2/ 9.500	4/ 6.000
Cylinder Pattern		G12203	BALANCE	G12199	G12196
RDP	PSIG	450.0	0.0	1150.0	1750.0
MAWP	PSIG	495.0	0.0	1265.0	1925.0
Cyl. Action/HE Rod Dia.	Act./IN	DA/0.00	NA/0.00	DA/0.00	DA/0.00
Brake power / Cylinder	HP	280.3	0.0	355.9	326.1
HE Disch. Vol. Eff.	%	22.12	0.00	29.04	27.26
CE Disch. Vol. Eff.	%	42.03	0.00	28.63	24.39
HE Inlet Vol. Eff.	%	43.06	0.00	70.45	62.51
CE Inlet Vol. Eff.	%	81.81	0.00	69.45	55.92
Avg. Inlet Vol. Eff.	%	62.44	0.00	69.95	59.22
HE Clearance Req'd.	%	55.15	0.00	17.10	24.80
HE Clearance Min.	%	14.50	0.00	17.10	24.80
HE Pocket Open	%	50.00	0.00	0.00	0.00
HE Clearance Added	IN3	431.0	0.0	0.0	0.0
CE Clearance Req'd.	%	14.20	0.00	17.80	29.90
CE Clearance Min.	%	14.20	0.00	17.80	29.90
CE Clearance Added	IN3	0.0	0.0	0.0	0.0
Valve Model - HE		PF67	XXXX	PF48	PF48
Valve Model - CE		PF67	XXXX	PF48	PF48
Valves / Corner (HE/CE)		2/2	0/0	2/2	1/1
Valve Lift - HE	IN	0.080	0.000	0.080	0.080
Valve Lift - CE	IN	0.080	0.000	0.080	0.080
Valve Lift Area - HE	SQIN	10.420	0.000	5.640	5.640
Valve Lift Area - CE	SQIN	10.420	0.000	5.640	5.640
API Inlet Vlv Vel Avg.	FPM	10034.2	0.0	7279.6	5493.6
Flange Gas Load - T	LBF	13742	0	18357	16749
Flange Gas Load - C	LBF	-14622	0	-21025	-24707
Max. Allow. Gas Load	LBF	60000	60000	60000	60000
Combined Rod Load - T	LBF	38073	42942	34287	21304
Combined Rod Load - C	LBF	-32552	-29381	-29195	-22720
Max Allow Rod Load	LBF	60000	60000	60000	60000
Recip. Weight @ XHD Pin	LB	362.0	295.0	362.0	295.0
Reversal @ XHD Pin	DEG	175.0	160.0	155.0	145.0

DRESSER-RAND GAS FIELD COMPRESSOR PERFORMANCE (DRSIZE copyright 1996-2000 V1.3a)

PACKAGER: PROPAK COMPRESSION DATE: Oct 2, 2000  
 LOCATION: Hamburg (2-6), Alberta FILE: 9404-420.DAT " 3"  
 JOB/REF : Apache Canada / Optima Engineers CALC BY: J.Saxinger  
 JOBSITE : Amb T (F) : 90. Alt. (FT) : 2500. Atm ( PSIA): 13.42  
 Ref. Pressure ( PSIA) : 14.70 Ref. Temp.(F): 60.  
 COMPRESSOR: Frame : 6 HOS 4 Stroke (IN): 6.0 Rod Dia(IN): 2.500  
 .....Calc RPM : 1200.0 Max RPM : 1200.0 Cooler (HP): 58.0  
 DRIVER: Type : Gas Engine Avail (HP) : 1478.0 Model: 7042GL

Stage Number		1	2	3	
Gas		Natural	Natural	Natural	Ps (line)= 75 psig
Dry Gas Mol. Weight		17.958	17.958	17.958	Pd (line)= 1200 psig
Dry Gas Spec. Gravity		0.620	0.620	0.620	
Cp/Cv @ 14.7/60		1.287	1.287	1.287	Curve 2
Avg. Temp. Expon. (K)		1.254	1.257	1.276	
Avg. Vol. Expon. (N)		1.253	1.259	1.293	
Gas Crit. Temperature	R	371.286	371.286	371.286	
Gas Crit. Pressure	PSIA	672.998	672.998	672.998	
Z Standard		0.998	0.998	0.998	
Z Suction		0.990	0.977	0.939	
Z Discharge		0.989	0.978	0.948	
Inlet Temperature	F	110.00	120.00	120.00	
Inlet Press. @ Cyl Flg	PSIG	73.50	193.93	532.92	
Interstage Press. Drop	%	1.75	1.50	1.00	
Disch. Press. @ Cyl Flg	PSIG	197.62	541.24	1212.00	
Ratio of Compression		2.428	2.675	2.243	
Adiabatic Disch. Temp.	F	222.29	249.34	230.52	
Est. Actual Disch. Temp	F	246.79	267.91	241.71	
Stg. Piston Displ.	CFM	1452.2	570.2	215.2	
Stg. Inlet Capacity	ACFM	1017.0	425.4	154.4	
CAPACITY ACTUAL WET	MMSCFD	7.96	7.91	7.87	
CAPACITY ACTUAL DRY	MMSCFD	7.85	7.85	7.85	
TOTAL COMPRESSOR POWER	HP	1389.79			

Stage number at (HE/CE)		1/1	0/0	2/2	3/3
Frame Ext/Cyl. Bore	#/IN	1/15.000	3/10.000	2/ 9.500	4/ 6.000
Cylinder Pattern		G12203	BALANCE	G12199	G12196
RDP	PSIG	450.0	0.0	1150.0	1750.0
MAWP	PSIG	495.0	0.0	1265.0	1925.0
Cyl. Action/HE Rod Dia. Act./IN	DA/0.00	NA/0.00	DA/0.00	DA/0.00	DA/0.00
Brake power / Cylinder	HP	461.3	0.0	490.9	380.8
HE Disch. Vol. Eff.	%	29.35	0.00	34.33	39.50
CE Disch. Vol. Eff.	%	39.82	0.00	33.95	37.13
HE Inlet Vol. Eff.	%	59.57	0.00	75.00	73.77
CE Inlet Vol. Eff.	%	80.80	0.00	74.17	69.34
Avg. Inlet Vol. Eff.	%	70.19	0.00	74.59	71.56
HE Clearance Reqd.	%	34.83	0.00	17.10	24.80
HE Clearance Min.	%	14.50	0.00	17.10	24.80
HE Pocket Open	%	25.00	0.00	0.00	0.00
HE Clearance Added	IN3	215.5	0.0	0.0	0.0
CE Clearance Reqd.	%	14.20	0.00	17.80	29.90
CE Clearance Min.	%	14.20	0.00	17.80	29.90
CE Clearance Added	IN3	0.0	0.0	0.0	0.0
Valve Model - HE		PF67	XXXXX	PF48	PF48
Valve Model - CE		PF67	XXXXX	PF48	PF48
Valves / Corner (HE/CE)		2/2	0/0	2/2	1/1
Valve Lift - HE	IN	0.080	0.000	0.080	0.080
Valve Lift - CE	IN	0.080	0.000	0.080	0.080
Valve Lift Area - HE	SQIN	10.420	0.000	5.640	5.640
Valve Lift Area - CE	SQIN	10.420	0.000	5.640	5.640
API Inlet Vlv Vel Avg.	FPM	10034.2	0.0	7279.6	5493.6
Flange Gas Load - T	LBF	20964	0	21961	13251
Flange Gas Load - C	LBF	-22295	0	-25570	-21817
Max. Allow. Gas Load	LBF	60000	60000	60000	60000
Combined Rod Load - T	LBF	30779	42942	33512	24593
Combined Rod Load - C	LBF	-33391	-29381	-32159	-27581
Max Allow Rod Load	LBF	60000	60000	60000	60000
Recip. Weight @ XHD Pin	LB	362.0	295.0	362.0	295.0
Reversal @ XHD Pin	DEG	170.0	160.0	170.0	160.0

DRESSER-RAND GAS FIELD COMPRESSOR PERFORMANCE (DRSIZE copyright 1996-2000 V1.3a)

PACKAGER: PROPAK COMPRESSION DATE: Oct 2, 2000  
 LOCATION: Hamburg (2-6), Alberta FILE: 9404-420.DAT " 2"  
 JOB/REF : Apache Canada / Optima Engineers CALC BY: J.Saxinger  
 JOBSITE : Amb T (F) : 90. Alt. (FT) : 2500. Atm ( PSIA): 13.42  
 Ref. Pressure ( PSIA) : 14.70 Ref. Temp.(F): 60.  
 COMPRESSOR: Frame : 6 HOS 4 Stroke (IN): 6.0 Rod Dia(IN): 2.500  
 .....Calc RPM : 1200.0 Max RPM : 1200.0 Cooler (HP): 58.0  
 DRIVER: Type : Gas Engine Avail (HP) : 1478.0 Model: 7042GL

Stage Number		1	2	3	
Gas		Natural	Natural	Natural	Ps (line)= 50 psig
Dry Gas Mol. Weight		17.958	17.958	17.958	Pd (line)= 1200 psig
Dry Gas Spec. Gravity		0.620	0.620	0.620	
Cp/Cv @ 14.7/60		1.287	1.287	1.287	Curve 2
Avg. Temp. Expon. (K)		1.253	1.253	1.269	
Avg. Vol. Expon. (N)		1.252	1.254	1.285	
Gas Crit. Temperature	R	371.286	371.286	371.286	
Gas Crit. Pressure	PSIA	672.998	672.998	672.998	
Z Standard		0.998	0.998	0.998	
Z Suction		0.993	0.983	0.951	
Z Discharge		0.992	0.984	0.960	
Inlet Temperature	F	110.00	120.00	120.00	
Inlet Press. @ Cyl Flg	PSIG	49.00	139.66	431.41	
Interstage Press. Drop	%	1.75	1.50	1.00	
Disch. Press. @ Cyl Flg	PSIG	142.39	438.19	1212.00	
Ratio of Compression		2.496	2.950	2.755	
Adiabatic Disch. Temp.	F	225.64	261.67	258.81	
Est. Actual Disch. Temp	F	251.85	282.12	272.83	
Stg. Piston Displ.	CFM	1452.2	570.2	215.2	
Stg. Inlet Capacity	ACFM	995.7	405.3	133.8	
CAPACITY ACTUAL WET	MMSCFD	5.58	5.53	5.49	
CAPACITY ACTUAL DRY	MMSCFD	5.47	5.47	5.47	
TOTAL COMPRESSOR POWER	HP	1114.25			

Stage number at (HE/CE)		1/1	0/0	2/2	3/3
Frame Ext/Cyl. Bore	#/IN	1/15.000	3/10.000	2/ 9.500	4/ 6.000
Cylinder Pattern		G12203	BALANCE	G12199	G12196
RDP	PSIG	450.0	0.0	1150.0	1750.0
MAWP	PSIG	495.0	0.0	1265.0	1925.0
Cyl. Action/HE Rod Dia. Act./IN	DA/0.00	NA/0.00	DA/0.00	DA/0.00	DA/0.00
Brake power / Cylinder	HP	336.6	0.0	380.9	339.9
HE Disch. Vol. Eff.	%	27.76	0.00	30.20	29.52
CE Disch. Vol. Eff.	%	38.45	0.00	29.79	26.73
HE Inlet Vol. Eff.	%	57.63	0.00	71.53	64.95
CE Inlet Vol. Eff.	%	79.82	0.00	70.57	58.83
Avg. Inlet Vol. Eff.	%	68.73	0.00	71.05	61.89
HE Clearance Req'd.	%	34.83	0.00	17.10	24.80
HE Clearance Min.	%	14.50	0.00	17.10	24.80
HE Pocket Open	%	25.00	0.00	0.00	0.00
HE Clearance Added	IN3	215.5	0.0	0.0	0.0
CE Clearance Req'd.	%	14.20	0.00	17.80	29.90
CE Clearance Min.	%	14.20	0.00	17.80	29.90
CE Clearance Added	IN3	0.0	0.0	0.0	0.0
Valve Model - HE		PF67	XXXX	PF48	PF48
Valve Model - CE		PF67	XXXX	PF48	PF48
Valves / Corner (HE/CE)		2/2	0/0	2/2	1/1
Valve Lift - HE	IN	0.080	0.000	0.080	0.080
Valve Lift - CE	IN	0.080	0.000	0.080	0.080
Valve Lift Area - HE	SQIN	10.420	0.000	5.640	5.640
Valve Lift Area - CE	SQIN	10.420	0.000	5.640	5.640
API Inlet Vlv Vel Avg.	FPM	10034.2	0.0	7279.6	5493.6
Flange Gas Load - T	LBF	15805	0	19009	16121
Flange Gas Load - C	LBF	-16744	0	-21846	-24188
Max. Allow. Gas Load	LBF	60000	60000	60000	60000
Combined Rod Load - T	LBF	35951	42942	33995	21883
Combined Rod Load - C	LBF	-32173	-29381	-29627	-23592
Max Allow Rod Load	LBF	60000	60000	60000	60000
Recip. Weight @ XHD Pin	LB	362.0	295.0	362.0	295.0
Reversal @ XHD Pin	DEG	170.0	160.0	170.0	145.0

DRESSER-RAND GAS FIELD COMPRESSOR PERFORMANCE (DRSIZE copyright 1996-2000 V1.3a)

PACKAGER: PROPAK COMPRESSION DATE: Oct 2, 2000  
 LOCATION: Hamburg (2-6), Alberta FILE: 9404-420.DAT " 1"  
 JOB/REF : Apache Canada / Optima Engineers CALC BY: J.Saxinger  
 JOBSITE : Amb T (F) : 90. Alt. (FT) : 2500. Atm ( PSIA): 13.42  
 Ref. Pressure ( PSIA) : 14.70 Ref. Temp. (F): 60.  
 COMPRESSOR: Frame : 6 HOS 4 Stroke (IN): 6.0 Rod Dia (IN): 2.500  
 .....Calc RPM : 1200.0 Max RPM : 1200.0 Cooler (HP): 58.0  
 DRIVER: Type : Gas Engine Avail (HP) : 1478.0 Model: 7042GL

Stage Number		1	2	3	
Gas		Natural	Natural	Natural	Ps (line)= 25 psig
Dry Gas Mol. Weight		17.958	17.958	17.958	Pd (line)= 1200 psig
Dry Gas Spec. Gravity		0.620	0.620	0.620	
Cp/Cv @ 14.7/60		1.287	1.287	1.287	Curve 2
Avg. Temp. Expon. (K)		1.251	1.248	1.261	
Avg. Vol. Expon. (N)		1.251	1.249	1.276	
Gas Crit. Temperature	R	371.286	371.286	371.286	
Gas Crit. Pressure	PSIA	672.998	672.998	672.998	
Z Standard		0.998	0.998	0.998	
Z Suction		0.996	0.989	0.962	
Z Discharge		0.995	0.990	0.974	
Inlet Temperature	F	110.00	120.00	120.00	
Inlet Press. @ Cyl Flg	PSIG	24.50	84.81	326.86	
Interstage Press. Drop	%	1.75	1.50	1.00	
Disch. Press. @ Cyl Flg	PSIG	86.56	332.04	1212.00	
Ratio of Compression		2.637	3.517	3.601	
Adiabatic Disch. Temp.	F	232.43	284.76	296.19	
Est. Actual Disch. Temp	F	262.11	308.69	316.61	
Stg. Piston Displ.	CFM	1452.2	570.2	215.2	
Stg. Inlet Capacity	ACFM	951.2	365.0	101.2	
CAPACITY ACTUAL WET	MMSCFD	3.23	3.18	3.14	
CAPACITY ACTUAL DRY	MMSCFD	3.12	3.12	3.12	
TOTAL COMPRESSOR POWER	HP	781.38			

Stage number at (HE/CE)		1/1	0/0	2/2	3/3
Frame Ext/Cyl. Bore	#/IN	1/15.000	3/10.000	2/ 9.500	4/ 6.000
Cylinder Pattern		G12203	BALANCE	G12199	G12196
RDP	PSIG	450.0	0.0	1150.0	1750.0
MAWP	PSIG	495.0	0.0	1265.0	1925.0
Cyl. Action/HE Rod Dia. Act./IN	DA/0.00	NA/0.00	DA/0.00	DA/0.00	DA/0.00
Brake power / Cylinder	HP	210.2	0.0	258.8	255.7
HE Disch. Vol. Eff.	%	24.69	0.00	23.61	18.70
CE Disch. Vol. Eff.	%	35.81	0.00	23.17	15.47
HE Inlet Vol. Eff.	%	53.60	0.00	64.60	51.04
CE Inlet Vol. Eff.	%	77.75	0.00	63.38	42.22
Avg. Inlet Vol. Eff.	%	65.67	0.00	63.99	46.63
HE Clearance Req'd.	%	34.83	0.00	17.10	24.80
HE Clearance Min.	%	14.50	0.00	17.10	24.80
HE Pocket Open	%	25.00	0.00	0.00	0.00
HE Clearance Added	IN3	215.5	0.0	0.0	0.0
CE Clearance Req'd.	%	14.20	0.00	17.80	29.90
CE Clearance Min.	%	14.20	0.00	17.80	29.90
CE Clearance Added	IN3	0.0	0.0	0.0	0.0
Valve Model - HE		PF67	XXXX	PF48	PF48
Valve Model - CE		PF67	XXXX	PF48	PF48
Valves / Corner (HE/CE)		2/2	0/0	2/2	1/1
Valve Lift - HE	IN	0.080	0.000	0.080	0.080
Valve Lift - CE	IN	0.080	0.000	0.080	0.080
Valve Lift Area - HE	SQIN	10.420	0.000	5.640	5.640
Valve Lift Area - CE	SQIN	10.420	0.000	5.640	5.640
API Inlet Vlv Vel Avg.	FPM	10034.2	0.0	7279.6	5493.6
Flange Gas Load - T	LBF	10542	0	15894	19077
Flange Gas Load - C	LBF	-11088	0	-17940	-26631
Max. Allow. Gas Load	LBF	60000	60000	60000	60000
Combined Rod Load - T	LBF	41607	42942	35663	19161
Combined Rod Load - C	LBF	-31193	-29381	-27830	-19554
Max Allow Rod Load	LBF	60000	60000	60000	60000
Recip. Weight @ XHD Pin	LB	362.0	295.0	362.0	295.0
Reversal @ XHD Pin	DEG	165.0	160.0	155.0	140.0



DRESSER-RAND GAS FIELD COMPRESSOR PERFORMANCE (DRSIZE copyright 1996-2000 V1.3a)

PACKAGER: PROPAK COMPRESSION DATE: Oct 2, 2000  
 LOCATION: Hamburg (2-6), Alberta FILE: 9404-420.DAT " 2"  
 JOB/REF : Apache Canada / Optima Engineers CALC BY: J.Saxinger  
 JOBSITE : Amb T (F) : 90. Alt. (FT) : 2500.0 Atm ( PSIA): 13.42  
 Ref. Pressure ( PSIA) : 14.70 Ref. Temp.(F): 60.  
 COMPRESSOR: Frame : 6 HOS 4 Stroke (IN): 6.0 Rod Dia(IN): 2.500  
 .....Calc RPM : 1200.0 Max RPM : 1200.0 Cooler (HP): 58.0  
 DRIVER: Type : Gas Engine Avail (HP) : 1478.0 Model: 7042GL

Stage Number		1	2	3	
Gas		Natural	Natural	Natural	Ps (line)= 50 psig
Dry Gas Mol. Weight		17.958	17.958	17.958	Pd (line)= 1200 psig
Dry Gas Spec. Gravity		0.620	0.620	0.620	
Cp/Cv @ 14.7/60		1.287	1.287	1.287	Curve 1
Avg. Temp. Expon. (K)		1.252	1.255	1.271	
Avg. Vol. Expon. (N)		1.251	1.256	1.287	
Gas Crit. Temperature	R	371.286	371.286	371.286	
Gas Crit. Pressure	PSIA	672.998	672.998	672.998	
Z Standard		0.998	0.998	0.998	
Z Suction		0.993	0.982	0.947	
Z Discharge		0.993	0.982	0.956	
Inlet Temperature	F	110.00	120.00	120.00	
Inlet Press. @ Cyl Flg	PSIG	49.00	155.24	460.77	
Interstage Press. Drop	%	1.75	1.50	1.00	
Disch. Press. @ Cyl Flg	PSIG	158.24	467.99	1212.00	
Ratio of Compression		2.750	2.854	2.584	
Adiabatic Disch. Temp.	F	238.63	257.48	250.00	
Est. Actual Disch. Temp	F	265.00	277.31	263.01	
Stg. Piston Displ.	CFM	1452.2	570.2	215.2	
Stg. Inlet Capacity	ACFM	1118.9	412.2	140.6	
CAPACITY ACTUAL WET	MMSCFD	6.27	6.21	6.17	
CAPACITY ACTUAL DRY	MMSCFD	6.14	6.14	6.14	
TOTAL COMPRESSOR POWER	HP	1240.35			

		1/1	0/0	2/2	3/3
Stage number at (HE/CE)		1/1	0/0	2/2	3/3
Frame Ext/Cyl. Bore	#/IN	1/15.000	3/10.000	2/ 9.500	4/ 6.000
Cylinder Pattern		G12203	BALANCE	G12199	G12196
RDP	PSIG	450.0	0.0	1150.0	1750.0
MAWP	PSIG	495.0	0.0	1265.0	1925.0
Cyl. Action/HE Rod Dia. Act./IN	DA/0.00	DA/0.00	NA/0.00	DA/0.00	DA/0.00
Brake power / Cylinder	HP	414.9	0.0	413.3	355.4
HE Disch. Vol. Eff.	%	34.25	0.00	31.55	32.45
CE Disch. Vol. Eff.	%	34.41	0.00	31.15	29.79
HE Inlet Vol. Eff.	%	76.87	0.00	72.73	67.85
CE Inlet Vol. Eff.	%	77.24	0.00	71.81	62.29
Avg. Inlet Vol. Eff.	%	77.05	0.00	72.27	65.07
HE Clearance Req'd.	%	14.50	0.00	17.10	24.80
HE Clearance Min.	%	14.50	0.00	17.10	24.80
HE Pocket Open	%	0.00	0.00	0.00	0.00
HE Clearance Added	IN3	0.0	0.0	0.0	0.0
CE Clearance Req'd.	%	14.20	0.00	17.80	29.90
CE Clearance Min.	%	14.20	0.00	17.80	29.90
CE Clearance Added	IN3	0.0	0.0	0.0	0.0
Valve Model - HE		PF67	XXXX	PF48	PF48
Valve Model - CE		PF67	XXXX	PF48	PF48
Valves / Corner (HE/CE)		2/2	0/0	2/2	1/1
Valve Lift - HE	IN	0.080	0.000	0.080	0.080
Valve Lift - CE	IN	0.080	0.000	0.080	0.080
Valve Lift Area - HE	SQIN	10.420	0.000	5.640	5.640
Valve Lift Area - CE	SQIN	10.420	0.000	5.640	5.640
API Inlet Vlv Vel Avg.	FPM	10034.2	0.0	7279.6	5493.6
Flange Gas Load - T	LBF	18528	0	19871	15291
Flange Gas Load - C	LBF	-19545	0	-22930	-23502
Max. Allow. Gas Load	LBF	60000	60000	60000	60000
Combined Rod Load - T	LBF	36993	42942	33809	22648
Combined Rod Load - C	LBF	-31749	-29381	-30340	-24744
Max Allow Rod Load	LBF	60000	60000	60000	60000
Recip. Weight @ XHD Pin	LB	362.0	295.0	362.0	295.0
Reversal @ XHD Pin	DEG	170.0	160.0	170.0	155.0

DRESSER-RAND GAS FIELD COMPRESSOR PERFORMANCE (DRSIZE copyright 1996-2000 V1.3a)

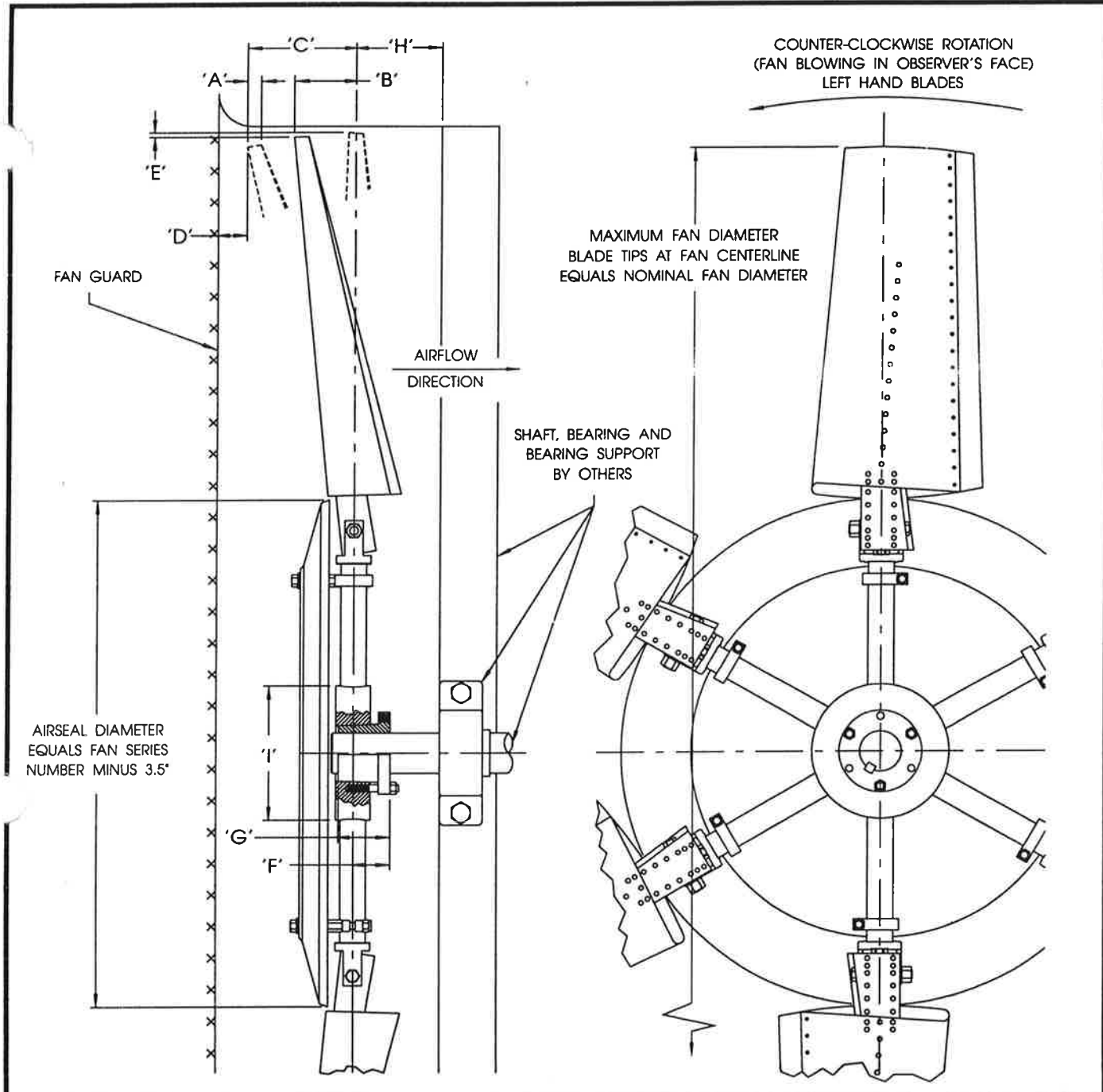
PACKAGER: PROPAK COMPRESSION DATE: Oct 2, 2000  
 LOCATION: Hamburg (2-6), Alberta FILE: 9404-420.DAT " 1"  
 JOB/REF : Apache Canada / Optima Engineers CALC BY: J.Saxinger  
 JOBSITE : Amb T (F) : 90. Alt. (FT) : 2500. Atm ( PSIA): 13.42  
 Ref. Pressure ( PSIA) : 14.70 Ref. Temp.(F): 60.  
 COMPRESSOR: Frame : 6 HOS 4 Stroke (IN): 6.0 Rod Dia(IN): 2.500  
 .....Calc RPM : 1200.0 Max RPM : 1200.0 Cooler (HP): 58.0  
 DRIVER: Type : Gas Engine Avail (HP) : 1478.0 Model: 7042GL

Stage Number		1	2	3	
Gas		Natural	Natural	Natural	Ps (line)= 25 psig
Dry Gas Mol. Weight		17.958	17.958	17.958	Pd (line)= 1200 psig
Dry Gas Spec. Gravity		0.620	0.620	0.620	
Cp/Cv @ 14.7/60		1.287	1.287	1.287	Curve 1
Avg. Temp. Expon. (K)		1.250	1.249	1.263	
Avg. Vol. Expon. (N)		1.250	1.251	1.278	
Gas Crit. Temperature	R	371.286	371.286	371.286	
Gas Crit. Pressure	PSIA	672.998	672.998	672.998	
Z Standard		0.998	0.998	0.998	
Z Suction		0.996	0.988	0.960	
Z Discharge		0.996	0.989	0.971	
Inlet Temperature	F	110.00	120.00	120.00	
Inlet Press. @ Cyl Flg	PSIG	24.50	95.21	346.85	
Interstage Press. Drop	%	1.75	1.50	1.00	
Disch. Press. @ Cyl Flg	PSIG	97.14	352.34	1212.00	
Ratio of Compression		2.916	3.367	3.401	
Adiabatic Disch. Temp.	F	245.92	278.96	288.26	
Est. Actual Disch. Temp	F	275.80	302.00	306.93	
Stg. Piston Displ.	CFM	1452.2	570.2	215.2	
Stg. Inlet Capacity	ACFM	1085.2	375.5	108.8	
CAPACITY ACTUAL WET	MMSCFD	3.68	3.62	3.58	
CAPACITY ACTUAL DRY	MMSCFD	3.56	3.56	3.56	
TOTAL COMPRESSOR POWER	HP	878.36			

Stage number at (HE/CE)		1/1	0/0	2/2	3/3
Frame Ext/Cyl. Bore	#/IN	1/15.000	3/10.000	2/ 9.500	4/ 6.000
Cylinder Pattern		G12203	BALANCE	G12199	G12196
RDP	PSIG	450.0	0.0	1150.0	1750.0
MAWP	PSIG	495.0	0.0	1265.0	1925.0
Cyl. Action/HE Rod Dia.	Act./IN	DA/0.00	NA/0.00	DA/0.00	DA/0.00
Brake power / Cylinder	HP	262.4	0.0	283.3	275.9
HE Disch. Vol. Eff.	%	31.65	0.00	25.15	20.82
CE Disch. Vol. Eff.	%	31.82	0.00	24.72	17.68
HE Inlet Vol. Eff.	%	74.53	0.00	66.41	54.27
CE Inlet Vol. Eff.	%	74.94	0.00	65.26	46.08
Avg. Inlet Vol. Eff.	%	74.73	0.00	65.83	50.17
HE Clearance Req'd.	%	14.50	0.00	17.10	24.80
HE Clearance Min.	%	14.50	0.00	17.10	24.80
HE Pocket Open	%	0.00	0.00	0.00	0.00
HE Clearance Added	IN3	0.0	0.0	0.0	0.0
CE Clearance Req'd.	%	14.20	0.00	17.80	29.90
CE Clearance Min.	%	14.20	0.00	17.80	29.90
CE Clearance Added	IN3	0.0	0.0	0.0	0.0
Valve Model - HE		PF67	XXXX	PF48	PF48
Valve Model - CE		PF67	XXXX	PF48	PF48
Valves / Corner (HE/CE)		2/2	0/0	2/2	1/1
Valve Lift - HE	IN	0.080	0.000	0.080	0.080
Valve Lift - CE	IN	0.080	0.000	0.080	0.080
Valve Lift Area - HE	SQIN	10.420	0.000	5.640	5.640
Valve Lift Area - CE	SQIN	10.420	0.000	5.640	5.640
API Inlet Vlv Vel Avg.	FPM	10034.2	0.0	7279.6	5493.6
Flange Gas Load - T	LBF	12360	0	16497	18512
Flange Gas Load - C	LBF	-12957	0	-18693	-26164
Max. Allow. Gas Load	LBF	60000	60000	60000	60000
Combined Rod Load - T	LBF	40269	42942	35243	19683
Combined Rod Load - C	LBF	-30517	-29381	-28095	-20302
Max Allow Rod Load	LBF	60000	60000	60000	60000
Recip. Weight @ XHD Pin	LB	362.0	295.0	362.0	295.0
Reversal @ XHD Pin	DEG	160.0	160.0	155.0	140.0







**NOTES**

THE MOORE COMPANY JOB NO. 60447-F  
 PROPAK SYSTEMS LTD. P.O. NO. 108732  
 PROPAK SYSTEMS LTD. JOB NO. 99404-238

- A = BLADE TIP THICKNESS - 10° CLEVIS ANGLE
- B = RUNNING POSITION OF BLADES
- C = STOPPED POSITION OF BLADES
- D = MINIMUM OBSTACLE CLEARANCE AT INLET
- E = DECREASE OF MAXIMUM POSSIBLE RADIUS AT RUNNING POSITION
- H = MINIMUM OBSTACLE CLEARANCE AT OUTLET

DIA.	A	BLADE LOAD		C	D	E	H	I	BUSHING	F	G	MAX BORE
		100%	75%									
10'	3.9"	4.4"	3.4"	6.5"	2.0"	0.34"	7.0"		E	2.8"	2.7"	2.875"
11'	3.4"	5.2"	3.9"	7.5"	2.0"	0.40"	7.0"		J	3.2"	4.6"	3.750"
12'	3.1"	6.1"	4.5"	8.5"	2.0"	0.48"	7.0"					
13'	2.8"	6.9"	5.4"	9.0"	2.0"	0.56"	7.0"					
14'	2.4"	7.9"	6.1"	10.0"	2.0"	0.66"	7.0"					

**SERIES 60 ENGINE DRIVE FAN**

CLASS 5000



LEFT HAND  
ROTATION



CERT. NO. 950 99 0534

# Moore

---

## ENGINE DRIVE FANS OWNER'S MANUAL

### INSTALLATION

### MAINTENANCE

### OPERATION

#### **ABOUT THIS MANUAL .....**

The Moore Company is as interested as are its customers that Moore fans operate at top efficiency for many, many years. This manual has been written to achieve that result and is based on more than 50 years of experience as a manufacturer of axial flow fans.

Moore fans represent the highest degree of axial fan development and are in all respects, regardless of price, the finest obtainable for their intended purpose. As for any fine equipment, certain precautions are necessary and certain abuses must be avoided in order to insure the best performance over the longest period of time.

If you have any questions regarding the installation or operation of your Moore fan(s), please contact the Company for assistance.

#### **INSPECTION**

All Moore units are carefully balanced, inspected and

packed at the factory. If any damage is evident before or after unpacking, the delivering carrier should be promptly notified so that an inspection may be made by the claims adjustor. It is the responsibility of the consignee to file damage claims with the carrier. Although The Moore Company will not be responsible for shipping damage, it is requested that any damage, even of a minor nature, be reported to the factory at once.

#### **IDENTIFY YOUR FAN'S FEATURES**

Section 1 consisting of your unit's specifications will be found in the pocket on the inside of this cover. Section 2 Getting Started should be read carefully before installation begins. Moore fans have several unique features. Those unfamiliar with these units should read the short summary of these important features set out on the back cover.

**PLEASE COMPLETE AND RETURN THE OWNER'S REGISTRATION CARD ON THE BACK COVER**

---

THE MOORE COMPANY MARCELINE, MO 64658 PHONE (660) 376-3575 FAX (660) 376-2909

## **1.0 ORDER INFORMATION**

- 1.1 Fan Specifications**
- 1.2 Dimensional Drawing(s)**
- 1.3 Fan Curve(s) (if supplied)**
- 1.4 Noise Data (if supplied)**

**The papers contained in this envelope provide information about your fan(s) that should be kept as a permanent record. This information will be essential in future years for the proper operation and maintenance of these units.**



# THE MOORE COMPANY

800 S. MISSOURI AVENUE  
 MARCELINE, MO 64658 USA  
 TELEPHONE: (660) 376-3575  
 FACSIMILE: (660) 376-2909

## INSTALLATION MANUAL

JOB NO.: 62000 -E

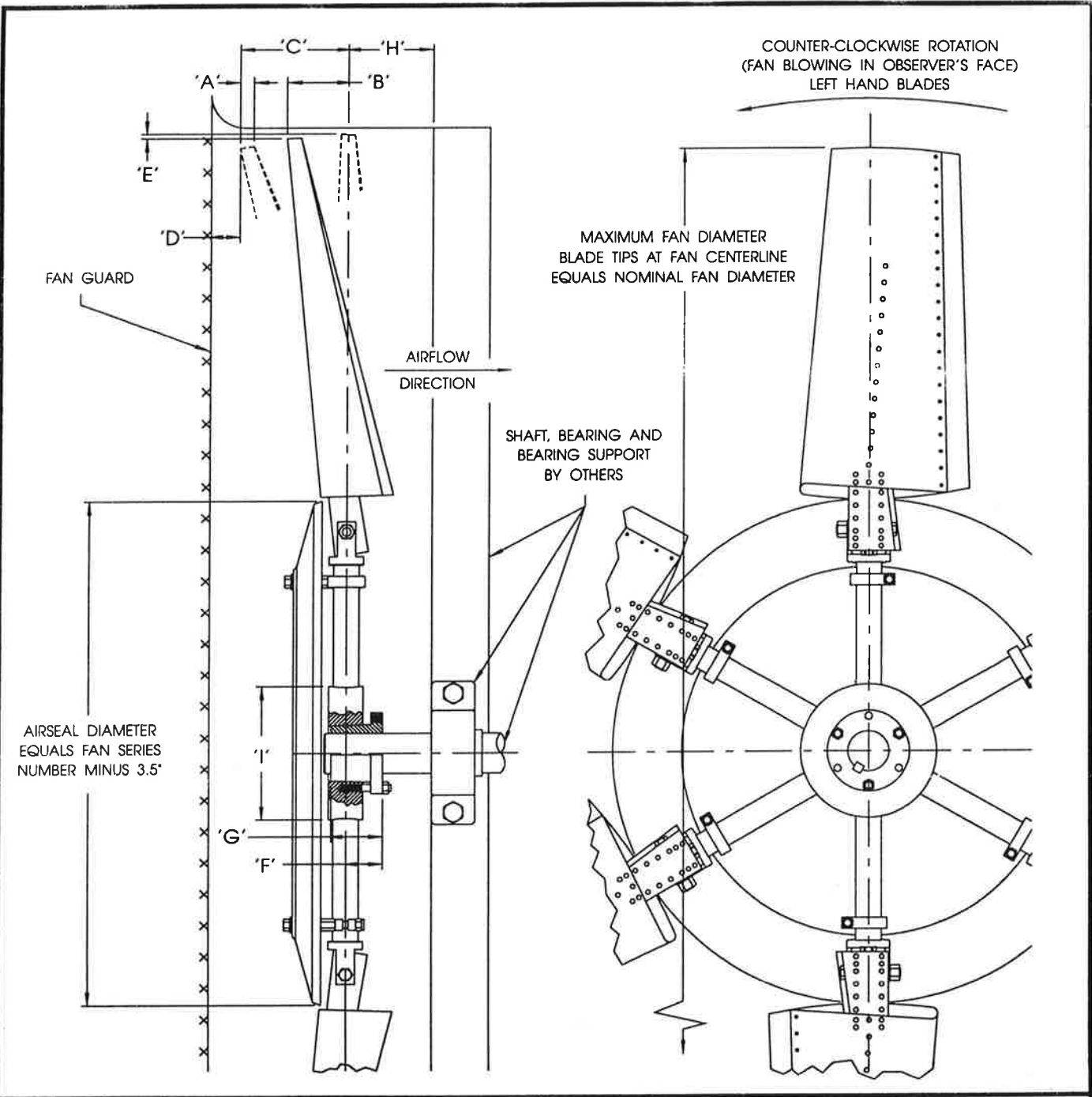
SOLD TO PROPAK SYSTEMS LTD.  
 POSTAL BAG NO. 2  
 AIRDRIE AB T4B 2C3  
 CANADA

INVOICE DATE:  
 MODEL NO.: 5460/12B-ED-13-A-11  
 PURCHASE ORDER NO: 112333  
 CUSTOMER JOB NO: 99420-238  
 SHIP REQUIRED: 6-Jul-2000  
 PAYMENT TERMS: NET 30 DAYS  
 ROUTING: AMERICAN  
 F.O.B. POINT: MARCELINE, MO.  
 FREIGHT: COLLECT  
 CRATING: STANDARD DOMESTIC

SHIP TO PROPAK SYSTEMS LTD.  
 404 EAST LAKE ROAD  
 AIRDRIE AB T4B 2C3  
 CANADA

QTY	DESCRIPTION
1	5460/12B-ED-13-A-11
1	EXPEDITING CHARGES
Serial Nos.: F94112	
CLASS 5000	ASSEMBLY DATA
MATERIAL: ALUMINUM	
SERIES: 60 BLADES: 11 ARRANGEMENT: 12B CLEVIS ANGLE: 12.1° Engine Drive Left Hand HUB LENGTH C/L TO BASE: 3.2 4 INCH HOLE IN AIR SEAL: NO	DIA.: 13.00 TYPE: MANUAL MOUNTS: 3 In WEIGHT: Low Noise AIR OFF: STOP DROOP: 9.0 CH TO TIP: 52.40 BALANCE WT.:
H DIM.: 3.819" BORE: 3.438" STD. BORE TOL.: +.001" -.000" HUB TRAVEL: ° CUT DROOP: 0.0 COLOR CODE:	
AIR PERFORMANCE DATA	
ELEVATION: Ft. ACFM/FAN: STATIC PRESSURE: VELOCITY THROUGH FAN: BHP REQUIRED: THEORETICAL NO. OF BLADES:	AIR TEMPERATURE: ° RPM: "WG VELOCITY PRESSURE: FPM *MOTOR HP: PHUD: PRESSURE: TIP CLEARANCE: *MAXIMUM APPLIED TORQUE: BLADE LOAD FACTOR:
DENSITY RATIO: INLET CORRECTION: "WG TOTAL PRESSURE: EFFICIENCY: FT. LBS.	
* MAXIMUM APPLIED TORQUE USING FACTOR OF NOMINAL TIMES <b>CAUTION:</b> (FACTORY SHOULD BE NOTIFIED IF MAX. APPLIED TORQUE OR MOTOR HP IS GREATER THAN THE VALUE SHOWN.)	
ADDITIONAL NOTES:	MARKS: P.O. NO. 112333 JOB NO. 99420-238





**NOTES**

THE MOORE COMPANY JOB NO. 62000-E  
 PROPAK SYSTEMS LTD. P.O. NO. 112333  
 PROPAK SYSTEMS LTD. JOB NO. 99420-238

- A = BLADE TIP THICKNESS - 10° CLEVIS ANGLE
- B = RUNNING POSITION OF BLADES
- C = STOPPED POSITION OF BLADES
- D = MINIMUM OBSTACLE CLEARANCE AT INLET
- E = DECREASE OF MAXIMUM POSSIBLE RADIUS AT RUNNING POSITION
- H = MINIMUM OBSTACLE CLEARANCE AT OUTLET

DIA.	BLADE LOAD		C	D	E	H	I	MAX BLDS	BUSHING
	100%	75%							
10"	3.9"	4.4"	3.4"	6.5"	2.0"	0.34"	7.0"		
11"	3.4"	5.2"	3.9"	7.5"	2.0"	0.40"	7.0"	9.0"	E
12"	3.1"	6.1"	4.5"	8.5"	2.0"	0.48"	7.0"		
13"	2.8"	6.9"	5.4"	9.0"	2.0"	0.56"	7.0"	12	E OR J
14"	2.4"	7.9"	6.1"	10.0"	2.0"	0.66"	7.0"		

**SERIES 60 ENGINE DRIVE FAN**

CLASS 5000



LEFT HAND  
ROTATION

# CONTENTS

<b>1.0 ORDER INFORMATION</b>	<b>3.0 MAINTENANCE</b>	<b>4.0 OPERATING CONDITIONS</b>
1.1 Fan Specifications	3.1 Periodic Inspection	4.1 Aerodynamic Abuse
1.2 Dimensional Drawing(s)	3.1.1 Purpose	4.1.1 About This Section
1.3 Fan Curve(s) (If Supplied)	3.1.2 Frequency of Inspection	4.1.2 Normal Operating Conditions
1.4 Noise Data (If Supplied)	3.1.3 Check Blade Position & Angle	4.1.3 Abnormal Conditions
	3.1.4 Check for Wear on Clevises	<b>4.2 Blade Overload</b>
	3.1.5 Cracks, Dents and Corrosion	<b>4.3 Causes of Improper Blade Load</b>
	3.1.6 Hub Inspection	4.3.1 Variation From Predicted Conditions
	<b>3.2 Annual Inspection</b>	4.3.2 Excessive Tip Clearance
	3.2.1 Clean Blades if indicated	4.3.3 Poor Entrance Conditions
<b>2.0 INSTALLATION</b>	3.2.2 Check System Pressure	4.3.4 Excessive Deflection
2.1 Getting Started	3.2.3 Close Inspection	<b>4.4 Checking Blade Load</b>
2.1.1 Fan Identification	<b>3.3 Vibration and Unbalance</b>	<b>4.5 Damaging Operating Conditions</b>
2.1.2 Planning the Installation	3.3.1 General	4.5.1 General
<b>2.2 Install Hub and Air Seal</b>	3.3.2 Fan Unbalance	4.5.2 Wind
<b>2.3 Install and Adjust Blades</b>	3.3.3 Belt Drive Units	4.5.3 Obstructions
2.3.1 Install Blades	3.3.4 Rough Gears	4.5.4 Uneven Tip Clearance
2.3.2 Adjust Blade Angle	3.3.5 Throat Flutter	
<b>2.4 Start-up Procedures</b>	3.3.6 Field Balancing	
	<b>3.4 WARRANTY</b>	
	<b>3.5 DRAWING AND PARTS LIST</b>	

## 2.0 INSTALLATION

### 2.1 GETTING STARTED

#### 2.1.1 FAN IDENTIFICATION

Every fan, or group of identical fans, is assigned a Job Number. This number will be found on Section 1.1 Fan Specifications inserted in the envelope on the inside cover of this manual. If non-identical fans are shipped together, a Job Number is assigned to each fan or group and a set of Order Information Sheets will be included for each Job Number.

The Job Number is written in semi-permanent ink on each blade, hub and air seal. All fan parts bearing the same Job Number are entirely interchangeable. (Blades of the same Series and Diameter are also interchangeable between Job Numbers.)

Fan components covered by more than one Job Number may be crated together. The Job Number that is written on each part, however, will make sorting simple.

Each individual fan produced by The Moore Company is assigned a Serial Number. This Serial Number is embossed on a permanent metal tag and attached to each fan hub. It will be found on the side of the hub between two of the hub tubes. The Fan Specification Sheet provided for each Job Number lists all of the

individual Serial Numbers of the identical fans covered by that Job Number so that, in future years, reference to the Fan Specification Sheets provided will identify the characteristics of each individual fan.

The Moore Company keeps records indexed by serial and job numbers of all fans produced for at least forty years in order to provide proper maintenance advice and information on spare parts and replacements.

#### 2.1.2 PLANNING THE INSTALLATION

The sequence given for the installation may be changed if the conditions warrant. For example, the air seal may be installed on the hub before the hub is installed on the drive shaft. (In fact, for inverted fans, it is necessary to install the air seal first.) The installation should be planned before beginning so that the steps required are taken in the most convenient order. If you need information not found here, please contact The Moore Company.

## 3.2 ANNUAL INSPECTION

### 3.2.1 CLEAN BLADES IF INDICATED

A smooth blade surface is essential for efficient fan performance. If an incrustation forms on the blades it should be removed. Use steel wool as an abrasive along with a mild detergent or a very mild form of solvent. Lye must not be used because it attacks aluminum readily.

### 3.2.2 CHECK SYSTEM PRESSURE

Radiator sections may be effected by the accumulation of dust and dirt in some atmospheres. (Cottonwood seeds are particularly troubling.) These accumulations may significantly increase the static pressure. Adjust the blade angle if necessary as described in Section 4.4 Checking Blade Load.

### 3.2.3 CLOSE INSPECTION

The yearly inspection should be a very thorough one. All nuts and bolts should be checked and careful scrutiny given to all highly stressed areas.

Inspect the resilient mounts as follows: With the fan turned off, grasp each blade and feel for looseness at the mount. If in doubt, the blade should be removed and the mount assembly visually inspected. Wear is indicated by a fretting effect and the resilient mount material will show signs of extruding from the cavity. If these indications are not apparent, replace the blade and continue normal operations.

Inspect the blade tips for any signs of cracking and the fan ring for any scoring that might indicate that the blades have been striking or rubbing against the fan ring.

## 3.3 VIBRATION AND UNBALANCE

### 3.3.1 GENERAL

No piece of rotating equipment is perfectly balanced. It is always possible that the minute unbalances of the various components may combine to provide a noticeable lack of balance. This rarely occurs, since it is unlikely that all unbalanced components will become assembled with their heavy sides in the same direction. Nevertheless, if unbalance is noted, the various components should be rotated into different positions to see if this might cure the unbalanced condition.

If vibration or unbalance occur, either at the time of installation or later during the operation of the unit, its cause may be determined by following the directions below.

### 3.3.2 FAN UNBALANCE

Vibration is most likely to be caused by the fan if the blades are not set at the same angle. If the blades are properly set, the fan is the least likely cause of vibration. All fan components are balanced to within +/- .02 ft-lbs.

If the fan is in an unbalanced condition, the frequency of vibration of the structure will be that of the RPM of the fan and is quite low. In the case of large fans, the frequency is often low enough to be mentally counted along with the rotation of the fan. A vibration of 500 RPM or less will be felt as a weave in the structure rather than a vibration. Below 400 RPM, the vibration may be mentally counted and above that point may be read with a frequency meter.

Before assuming fan unbalance, check for loose bearing seats or bearings journaling the shaft on which the fan is mounted. This condition will cause the shaft to rotate eccentrically, throwing the weight of the fan off-center, resulting in unbalance of the frequency of the fan RPM.

After all checks have been made and the fan is still determined to be unbalanced, field balancing may be accomplished as described below in Section 3.3.6.

It should be noted that the loads imposed on the drive shaft and its supporting bearings by fan unbalance are negligible. A rotating centrifugal load of 100 pounds, due to unbal-

ance, would be extremely objectionable and possibly even damage the structure on which the drive was mounted. By contrast, it would be unlikely that the drive shaft of a fan, of perhaps 25 HP, would be supported on bearings rated less than 2000 or 3000 pounds radial load. For higher horsepower, the bearing capacity would be correspondingly increased. From this it is evident that speed reducer or drive shaft bearing failure could never be caused by moderate or even objectionable fan unbalance.

### 3.3.3 BELT DRIVE UNITS

The more common causes of vibration in belt drive units are not the drives themselves but the result of shafts that are too flexible or non-rigid supporting members. Vibration can be caused by misalignment of the sheaves or poorly adjusted belt tension. Consult the manufacturer of the drives for information. The quickest way to identify the cause of vibration in belt drive units is to operate the fan with the blades removed.

### 3.3.4 ROUGH GEARS

Continued operation on rough gears and bearings is almost certain to develop cracks in the blade skins. Rough gears may be of two types:

1. Rough or failed bearings in the drives or gears will result in a high frequency vibration being transmitted into the fan where some areas of the skin will respond to the frequencies applied. Cracks will appear in the blade skin and eventually, in some areas, the skin may actually fall away.

2. The other type of rough gear occurs when the output shaft accelerates and decelerates with each pinion tooth engagement. With a six tooth pinion and a motor speed of 1800 RPM, or 30 cycles per second, this gear misalignment impresses upon the fan a vibrating frequency of  $30 \times 6 = 180$  cycles per second. If the engagement of teeth is also included, the frequency is 360 cycles per second. This type of high frequency vibration is at least as serious as that caused by bad bearings.

**3.3.5 THROAT FLUTTER**

Any fan that is effectively moving air at the tips of the blades will develop a reduced pressure area (or suction) on the fan throat or ring at the tip of the blade. This suction tends to draw the throat toward the tip of each blade, which means that a four blade fan would tend to draw the throat into something approaching a square while a six blade fan would draw it into something resembling a hexagon, etc. Since the fan is rotating, the effect on the throat is that of continually drawing it into a rotating polygon. The resulting throat flutter is frequently mistaken for fan unbalance.

A substantial throat or ring will be sufficiently rigid that flutter will not exist. A weak or flexible throat, particularly when used with a fan of a low number of blades, will be greatly affected by this type of vibration. Throat flutter is easily detected due to the fact that it is invariably of a frequency of the fan RPM times the number of blades on the fan.

Throat flutter will cause no damage to the fan so long as the throat does not disintegrate and fall into the fan blades. It may be eliminated by stiffening or bracing the throat.

If in doubt that throat flutter is the cause of vibration, reduce the angle of the blades until the fan is doing little or no work. If the vibration ceases under this condition, it is certain that throat flutter is present when the blades are loaded.

**3.3.6 FIELD BALANCING**

Unbalance in older fans may develop because of some structural change or by installing one new blade on an old fan where the existing blades had changed in weight in the course of operation.

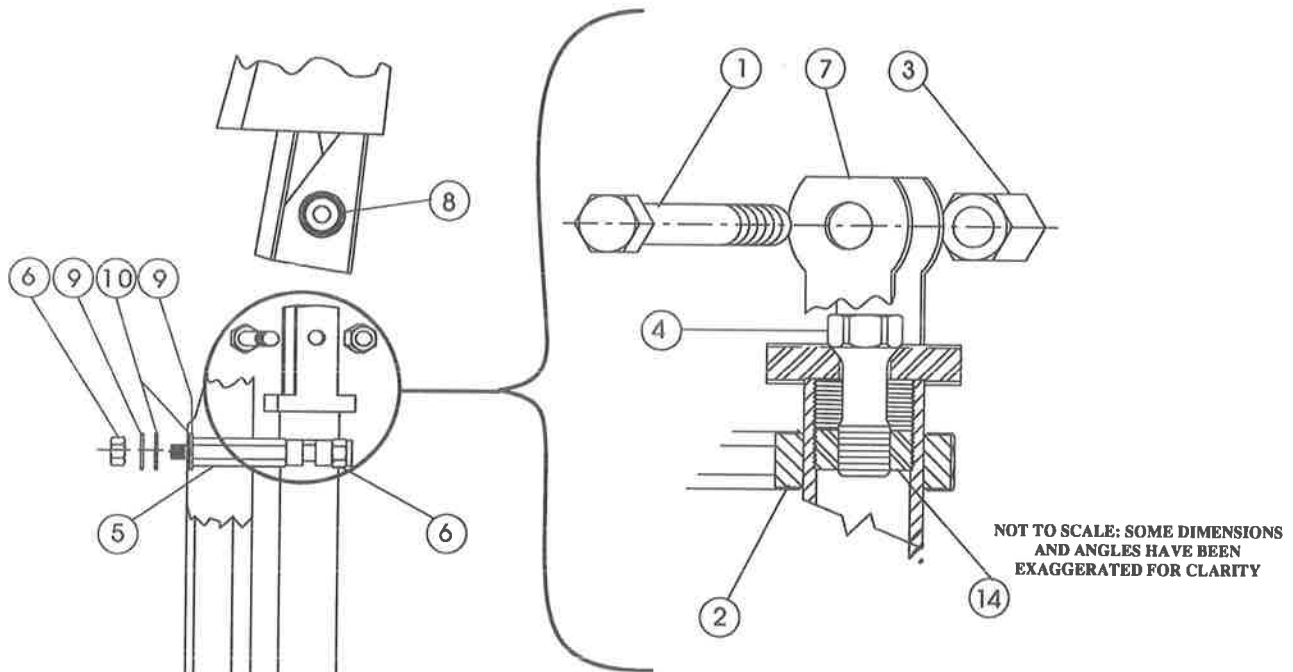
Use wire to attach a small weight in succession to each of the clamp studs until the best location for the weight is found. The weight should then be increased or decreased until the best balance is achieved. The permanent weight may then be secured to the clamp stud, clevis, or hub tube, whichever is the most convenient for the type and shape of weight to be used. One or more pieces of metal shaped like a washer could be placed over the clamp stud, on the hub tube, behind the clamp stud, or over the threaded portion of the clevis. Aluminum or stainless weights should be used and weights should not be attached to the blade skin.

**3.4 WARRANTY**

The Moore Company (the Seller) warrants only to Buyer, as its purchaser for resale, that the fans manufactured and sold by Seller to Buyer under this Agreement will be free from all defects in material and workmanship under ordinary use for a period of two (2) years from the date of shipment or one (1) year from the date the fan is installed on a customer's premises, whichever occurs first. This warranty period shall apply only if Seller receives written notice of any defect within the warranty period. Upon receipt of such notice, Seller, at its option, may require Buyer to return the fan at Buyer's cost to Seller for inspection by Seller. If the fan is found to be defective on inspection by Seller, as a sole and exclusive remedy, Seller will, at its option, either repair or replace the fan. This warranty shall not apply to damage on account of misuse,

neglect or accident or shipping damage, or if repairs or part replacements have been made or attempted without Seller's prior written authorization. SELLER SHALL NOT BE LIABLE IN ANY EVENT FOR ANY INCIDENTAL OR CONSEQUENTIAL DAMAGES FOR BREACH OF THIS OR ANY WARRANTY. THIS WARRANTY IS IN LIEU OF ALL OTHER GUARANTEES OR EXPRESSED WARRANTIES AND ALL IMPLIED WARRANTIES, INCLUDING THE IMPLIED WARRANTIES OF MERCHANTABILITY AND OF FITNESS FOR A PARTICULAR PURPOSE. DUE TO THE VARIETY OF CONDITIONS UNDER WHICH THE FANS MAY BE USED, RISKS OF RESULTS OBTAINED FROM USE OF THE FANS, WHETHER USED ALONE OR IN COMBINATION WITH OTHER PRODUCTS, IS ENTIRELY BUYER'S. THE ABOVE LIMITATIONS ON DAMAGE AND EXCLUSION OR LIMITATION OF IMPLIED WARRANTIES ARE NOT APPLICABLE TO THE EXTENT PROHIBITED BY STATE LAW.

### 3.5 PARTS LIST



DWG. NO.	SHOP PART NO.	DESCRIPTION
1	913	22 MM ALUMINUM CLEVIS/BLADE BOLT
2	644	SMALL CLEVIS CLAMP
3	914	22 MM ALUMINUM CLEVIS/BLADE BOLT NUT
4	912	HUB TUBE BOLT
5	608	CLAMP STUD
6	169	16 MM ALUMINUM NUT
7	931	CLEVIS
8	939	LARGE MOUNT (3" LONG)
9	151	5/8" ALUMINUM FLAT WASHER
10	52	5/8" RESILIENT WASHER
11	1345	10MM STAINLESS STEEL STUD FOR QDSF BUSHING (3)
	1347	12 MM STAINLESS STEEL STUD FOR QDE BUSHING (3)
	1558	16 MM STAINLESS STEEL STUD FOR QDJ BUSHING (3)
12		QDSF, QDE OR QDJ TYPE BUSHING
13	1346	10MM STAINLESS STEEL NUT FOR QDSF BUSHING (3)
	1348	12 MM STAINLESS STEEL NUT FOR QDE BUSHING (3)
	1559	16 MM STAINLESS STEEL NUT FOR QDJ BUSHING (3)
14	911	ANCHOR PLUG

## 4.0 OPERATION

### 4.1 AERODYNAMIC ABUSE

#### 4.1.1 ABOUT THIS SECTION . . . .

It is widely acknowledged that the kinds of mechanical abuse described on the preceding pages are destructive for all types of operating equipment. It is less well recognized that — for fans — aerodynamic stresses are an even more serious hazard. This section deals with the causes of destructive aerodynamic stresses and how they can be avoided.

Although this information is given primarily for the benefit of operators of Moore equipment, it may be applied to fans of any manufacture.

Unlike smaller fans, which are typically furnished complete with their surroundings, the large fan wheel is supplied as an unprotected component of the system and is installed in innumerable types of surroundings. Not only do the types and conditions of the drives for these fan wheels vary widely, but the entrance and exit conditions and the enclosure for the wheel assume a myriad of possible combinations. In designing his product, the manufacturer of fan wheels must anticipate the operating conditions based upon his knowledge of what is reasonable and customary for the industry. He may over-design for abnormal stresses only until the practical limit is reached to avoid excessive weight, cost and inefficiency.

#### 4.1.2 NORMAL OPERATING CONDITIONS

The fan manufacturer assumes a fairly reasonable atmosphere for the operation of his product, including the following:

- The fan selection will be reasonably in line with the performance the unit is expected to maintain, with an adequate blade area for the pressure required at the given RPM. Blades will not be loaded beyond their capacity to maintain air flow.
- A fan ring will be provided that is round, rigid and of a depth at least sufficient to cover the tips of the blades. Tip clearances will be uniform and controlled.
- The approach air will represent a relatively uniform and axial flow with, of course, some unavoidable turbulence expected. Adequate open area will be provided at the inlet of the fan.
- Major obstructions will not be present at either the inlet or discharge of the fan.
- The RPM of the fan will be within the design limits.
- The relative direction and velocity of approaching air to the blades will be fairly constant and protection will be provided from extreme wind conditions.

Under such conditions, the unit stresses in the blades would not be expected to vary more than plus or minus 50%. Fan design based on such assumptions is entirely reasonable and, with proper drives and installation conditions, has proven highly successful.

#### 4.1.3 ABNORMAL CONDITIONS

Abnormal operating conditions result in destructive repetitive stresses that can seriously shorten fan life. The aerodynamic abuses discussed in this section can cause repeated flexing of the fan blades and hub. Violent displacement of the resiliently mounted Moore fan blades may occur — a greater displacement than would occur in rigidly mounted blades. The resilient mounting, of course, minimizes the structural unit stresses which would be transmitted to the root of the blade and into the hub and drive. Although Moore units may be expected to resist greater stress than units of conventional design, such repetitive stresses may exceed the capability of the resilient mounts to absorb them. If so, fatigue of the mounts and metal may develop, adjusting linkages may wear, and ultimate failure becomes a possibility.

Some of the abuses set out in the following text are far less important than others. All of them may occur in varying degrees.

Specifically, abuse due to serious repetitive stresses can lead to mount failure and, if carried to extremes, can cause clevis breakage and failure in the box section due to the end of the box section repeatedly striking the clevis as the blades are violently displaced. In units of other manufacture with rigidly mounted blades, repetitive stresses of this type may lead to blade breakage, probably near the root or at the point of attachment to the hub where stresses are highest, or may lead to failure of the hub itself. The resilient mount design, unique with Moore fans, dampens these vibrational forces and results in a fan that is far less vulnerable to failure from these conditions than other units with rigidly mounted blades. Even so, extreme conditions can cause damage.

A well-designed fan can be expected to operate for many years without trouble under normal operation as described above. The extreme repetitive stresses described below, however, will certainly reduce the life of the fan, causing failure many years sooner than would occur if the fan were operated as intended. Fortunately, these destructive conditions are readily observable to someone who is knowledgeable about them, and they can be corrected with reasonable effort and expense once they are observed.

## 4.2 BLADE OVERLOAD

Of all the aerodynamic abuses to be avoided in the operation of a fan, the most important is that of overloading the fan blades. Blade overload occurs because of insufficient blade area: In other words, when there is an inadequacy in the number of blades on the fan selected.

The Moore system of rating is based upon the pressure that each blade will produce at a given RPM with good efficiency. This pressure is called 100% blade load. When blade load exceeds 110%, the fan will not only operate at lower efficiency, it may be subject to structural damage as well.

In selecting a fan, the total pressure divided by the pressure to be produced by one blade determines the number of blades required for the anticipated performance. Whenever information is available, The Moore Company checks the selection. Even so, underestimation of the pressure requirements by the system designer, or changes in the operating conditions over time, may result in overload conditions.

Why is a blade overload condition of such concern? We are all aware of the fact that an airplane traveling at a given speed can carry only a certain load. If the speed of the airplane is decreased or the load increased, stalling flow over the wing will occur. In the case of an airplane, approximately two-thirds of the lift provided by the wing is the result of the air flow over the top or convex portion of the wing. Lift is provided as a reaction to the flow of air being accelerated and deflected downward as it passes over the wing. A negative pressure area is thus formed on the top surface of the wing which tends to lift it upward.

So long as air flow over the wing is smooth and clings to the surface of the wing, little turbulence is present. When the load is increased, or the speed decreased, the angle of the wing to the air stream must be increased to a point where the air flow breaks away from the upper surface of the wing. This is known as stalling or burbling flow, since the air, instead of clinging to the wing, breaks away near the leading edge and leaves what might be called a turbulent void above the upper wing surface, nullifying the accelerated flow which was responsible for the greater part of the lift of the wing.

When this occurs, the wing loses a large portion of its lift. Flow, however, will re-establish briefly and break again, the cycle being repeated continuously, resulting in a severe

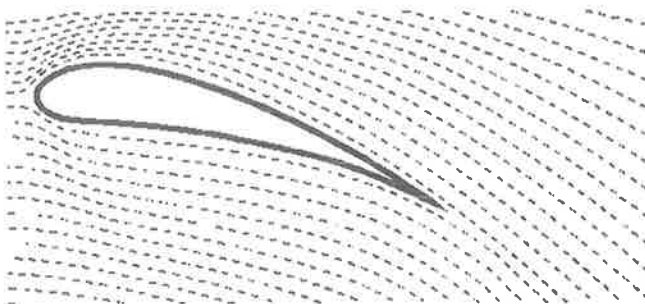
vibration throughout the aircraft as the flow alternately makes and breaks. Anyone who has experienced a stall in an airplane will be familiar with this violent phenomenon.

A fan blade is no different than an airplane wing except that the air usually is being deflected upward rather than downward, the convex side of the blade being the lower surface rather than the upper surface as in the case of an airplane. The result of blade overload is identical: When blade load exceeds that allowable, a violent vibration will take place in the blade as the laminar, or uniform, flow makes and breaks perhaps many times a second.

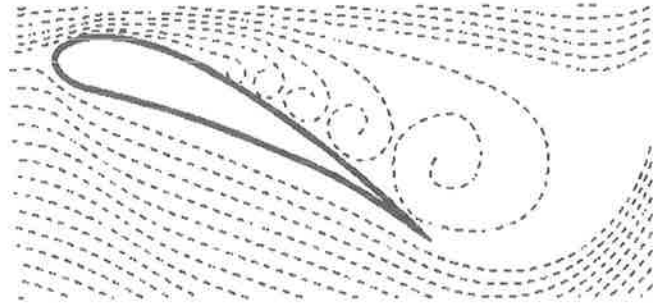
Another way of looking at this problem is to consider that the available number of blades are set at too steep an angle to be able to move air at the axial velocity which is necessary to maintain a smooth flow over the convex surface. In other words, to move air at the velocity necessary for this blade angle, plus overcoming the static resistance of the system, the total pressure which would have to be maintained for an air flow corresponding to this angle is greater than the total pressure capability of the given number of blades at this RPM. Such a condition can only be corrected by decreasing the blade angle until smooth flow is obtained or by increasing the number of blades and the total pressure potential of the fan until the fan's pressure potential equals the pressure necessary to move the specified quantity of air through the system.

Continued operation under conditions of stalling flow, or blade overload, will significantly shorten the life of the fan. Operation under these conditions will also reduce efficiency to a ridiculously low figure. See the chart under Section 4.4 Checking Blade Load which follows. Note that although air flow remains constant or decreases, horsepower continues to increase with increased blade angle.

In conclusion, if a given fan, in a given installation, can only absorb forty horsepower, for example, the blades may be pitched up to consume fifty horsepower without any increase in air delivery, and possibly with a decrease. As a result, the extra ten horsepower is totally wasted -- perhaps worse than wasted. It is good practice to select a sufficient number of blades so that blade load will amount to slightly less than 100% of full blade load when consuming 100% of the rated fan horsepower. There are a number of reasons for allowing this safety factor which are set out in detail below.



**AIRFLOW IN NORMAL FLOW**  
Downward flow provides lift to the wing



**AIRFLOW IN STALLING FLOW**  
Note lack of air deflection downward.

## 4.3 CAUSES OF IMPROPER BLADE LOADING

### 4.3.1 VARIATION FROM PREDICTED CONDITIONS

Although those who design air coolers and cooling towers undoubtedly do their best to accurately state the calculated static resistance of the system, a number of factors may cause the actual conditions to vary from the design conditions. When a variation occurs, it may be found, upon testing, that the static pressure for a given volume through the system is higher than anticipated. In this case, the number of blades provided may be inadequate to meet the performance. On the other hand, the static pressure may have been overestimated and excess blade area provided, resulting in a fan with unutilized capacity operating at low efficiency.

**Inadequate Blade Area:** The blade angle is selected to move the anticipated volume of air and the number of blades is selected to maintain the total anticipated pressure required to move this volume at a given RPM. If the static pressure turns out to be higher than predicted, the fan may then be operating in an overload condition. If the RPM cannot be increased, the only solution to this condition is to reduce the blade angle until the fan can carry the then reduced volume at the originally anticipated pressure. Since reducing the volume, while holding the total pressure as originally anticipated, can only reduce the horsepower, it is then impossible to consume the horsepower originally intended without overloading the fan. This is one of a number of reasons for providing some safety factor in blade loading at the time of original fan selection.

**Excessive Blade Area:** Occasionally, an excessive number of blades may be specified in the interest of making a conservative selection. If the static pressure has been overstated, the theoretical number of blades will be greater than needed. This theoretical number of blades is usually a fractional number and the actual number of blades used must, of course, be the next larger integer, resulting in some "safety factor" in the selection. If, in addition, a blade or two is added as a "safety factor" or in anticipation of increased future requirements, it may be impossible to meet the original performance requirement efficiently. The only way to provide the original performance and draw no more than the original horsepower is to flatten the blade angle. There is a limit, however, in how far the blade angle may be reduced before further reduction will decrease airflow without a further reduction in horsepower. For belt drive units, the most practical solution to this problem is to reduce the RPM of the fan.

### 4.3.2 EXCESSIVE TIP CLEARANCE

Unless the fan ring is very close to the tip of the blade, air from the high pressure surface of the blade will flow around the tip and nullify the negative pressure on the underside of the blade for some distance in from the tip. For a fan of, say, 12-ft diameter, the last 12 to 18 inches of the blade could be producing no pressure what-

ever and performing no useful function. The balance of the fan blade toward the hub then must produce a higher pressure to compensate for the portion near the tip.

Excessive tip clearance also leaves an unswept area between the tip of the blade and the fan ring. Air that has been pumped by the fan will return downward through this unswept area at a velocity greater than that at which it passed through the fan in the desired direction. This condition adds even further to the requirements of the portion of the blade which is doing the work and efficiency will be greatly reduced.

With the loss of a foot at the tips of the blades, plus the back flow between the tips and the ring, the 12-ft fan in this example might be considered an effective 10-ft fan. It would have to deliver sufficient air to satisfy the performance requirements of the installation, plus the amount of air which is returning in the void between the tips and the throat. Under such circumstances, excessive blade loading could occur even though the required system pressure is not achieved.

### 4.3.3 POOR ENTRANCE CONDITIONS

Air will approach the fan from all possible directions, increasing in velocity as it nears the opening, then accelerating rapidly as it enters. The air approaching from the side must be turned through 90° to enter a ring whose entrance terminates in a flat plate. If the inlet end of the ring projects some distance out, with approach possible from all directions, a portion of the air must be turned through 180°. The inertia of the approaching air prevents it from turning sharply and advancing parallel to the desired flow. It consequently swoops toward the center, leaving the outer area of the fan with reduced flow or even reverse flow near the ring.

The effect of poor entrance conditions is similar to that previously described for excessive tip clearance in that the effective diameter has been reduced and excessive blade loading could occur even though the required system pressure is not achieved. Efficiency will be greatly reduced.

### 4.3.4 EXCESSIVE DEFLECTION

The pressure which the fan can achieve is dependent upon the square of the velocity of the blades relative to the air. If the air could be moved into the fan in an axial direction and passed through the fan into the discharge without changing direction, the relative velocity of the blades to the air stream would be the true velocity of the blades at any point. This, of course, is not the case. For the blades to accomplish work upon the air, they must also deflect the air in the direction of rotation of the fan. The air when rotated with the fan is moving with a certain velocity in the same direction as the rotation of the fan, which reduces the relative velocity between the fan blades and the air by some portion of this rotational velocity.



Moore fans are designed in contemplation of a maximum deflection of 50° at the hub, decreasing to a very small value at the tip. This deflection is considered in the determination of the pressure which may be provided by each blade over its full length. If fans are selected, or if conditions exist, which cause the deflection to exceed 50° at the hub, the velocity of the blades relative to the air is less than anticipated and the blades will not provide the rated pressure. The test below, however, will show the full allowable pressure capability of the fan, even though it does not reach the full rated pressure.

#### 4.3.5 CONCLUSION

As can be seen by the various points discussed in this section, there are a number of complex factors which tend to cause fans to be operated in a condition of improper blade loading which can shorten fan life or lower efficiency. When blade angles are set to consume the specified horsepower (at the fan shaft), the resulting performance should be very close to the specified performance. If this is not the case and the problem cannot be identified or corrected, please contact The Moore Company for assistance.

## 4.4 CHECKING BLADE LOAD

One method of checking blade load is to run a complete field test on the fan. Although laborious, this method will provide ample proof so long as neither excessive tip clearance nor poor entrance conditions are present. If either are present, however, the conditions set out above under Section 4.3.3 would apply and the fan could be overloaded even though the total pressure indicated by the test was within the allowable blade loading.

A better, more convenient and simpler method of detecting blade overload, or determining maximum allowable blade angle, is set out below. The equipment needed is a wrench, a torque wrench, a protractor and a draft gauge (or manometer).

All fans are shipped with the blade angle set for the anticipated performance requirements furnished to The Moore Company by the purchaser. This blade angle is called out on Section 1.1 Fan Specifications. This angle refers to the angle of the top or bottom of the clevis with the horizontal. Hubs are shipped with the clevises set at this angle.

To start the test, adjust the blades to an angle of approximately half that called out on the specifications or measured on the units. Connect the draft gauge to a quiet spot in the plenum as possible, preferably in the corner of the plenum and either ahead of or following the fan, depending upon whether the application is induced or forced draft. Since the figures obtained are purely relative, it is not necessary that accurate static pressure readings be obtained, but rather that the readings taken represent a consistent series of pressures at the point of reading chosen.

Start the fan and record on the chart provided the blade angle and the static pressure indicated. Advance the blade angle by one or two degrees and repeat the performance, recording again these readings. Keep increasing

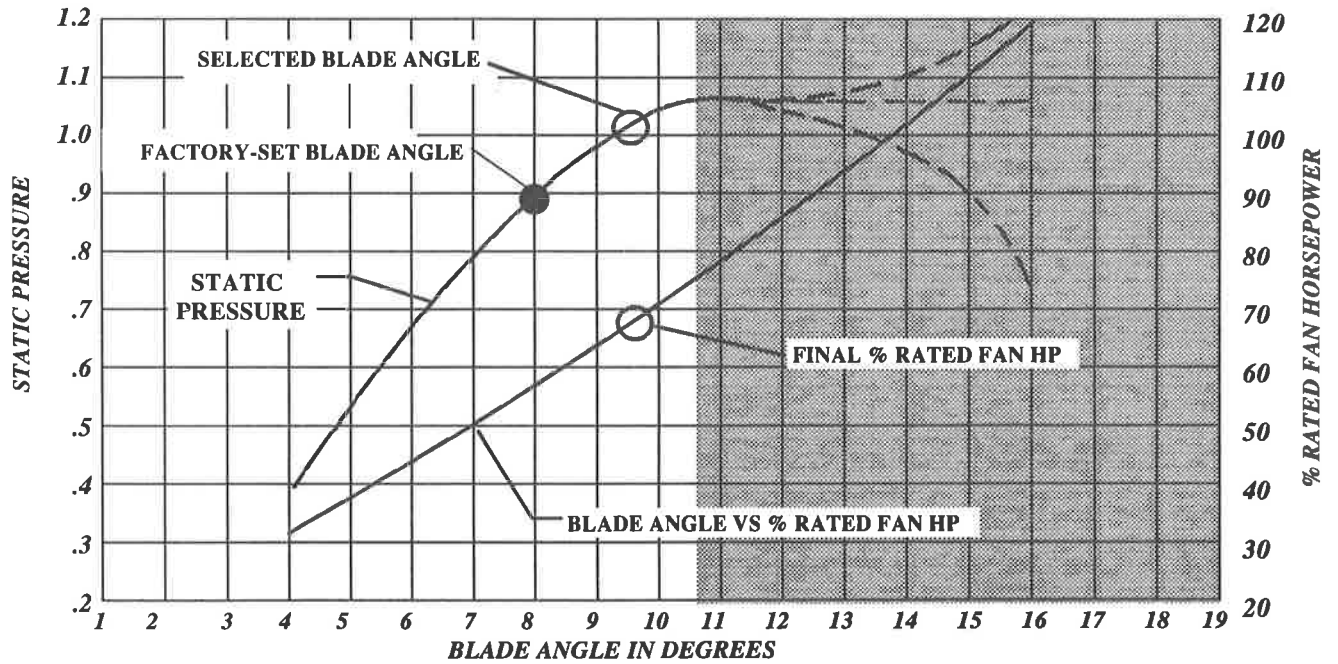
the angle and following this procedure until the motor is fully loaded, in which case the fan is able to consume full rated fan horsepower without overload OR until the curve which will have started on a definite slope begins to approach the horizontal. It will be noted that the static pressure will be consistently increasing with increased blade angle until the blade loading reaches maximum, at which point it will level off.

Subsequent increases in blade angle may have quite different effects, depending on the individual installation. The static pressure curve may merely stay level or may drop off sharply. In rare cases, it may level off and again start rising as the fan begins operating as a centrifugal blower.

Typical examples are shown in dotted lines on the chart opposite. Operation beyond the first point of leveling, or in the area of the dotted lines, is indicative of blade overload. Note that power consumption load will continue to increase even though the fan has passed into overload condition. The maximum blade angle allowable is that which produces a static pressure about 5% below the point where the curve becomes level. This represents a safe loading, and the blades may be set and left at this angle regardless of the location on the chart, assuming the motor is not overloaded.

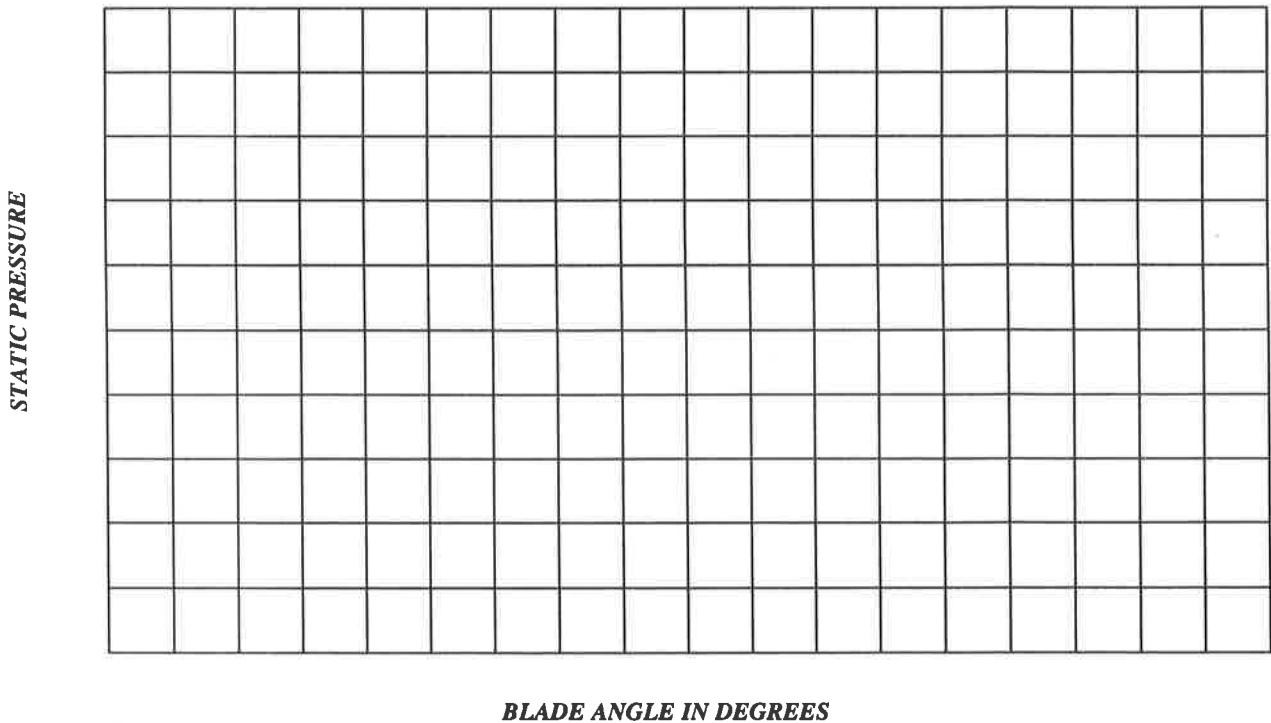
The point so selected will also approximate the point of the most efficient operation of the fan. Due to possible error in static pressure predictions, or in readings which are intended only to be relative, as well as other variables, the final blade setting chosen may fall below or above the specified static pressure.

A typical performance chart is shown opposite for a fan capable of a higher blade loading than originally specified. A blank chart is also provided for your use.



Note in the chart above that static pressure (and air flow) has reached its maximum at an 11 degree blade setting and blade overload is beginning. With further increase in blade angle, anything may happen, as indicated by the dotted extensions into the shaded overload area. Note

that the final selected blade angle is 5% below the point where the static pressure curve becomes level. The horsepower curve has been added to illustrate the point that in an overload condition, horsepower will increase without increased performance.



BLANK CHART FOR CUSTOMER USE

## 4.5 DAMAGING OPERATING CONDITIONS

### 4.5.1 GENERAL

Any condition which causes repeated blade loading and unloading is detrimental to fan performance, both in terms of efficiency and structural durability. Normal obstructions, of course, must be expected in the air stream. There are certain conditions, however, which may be avoided by reasonable attention to the points briefly discussed in this section. Additional information on the importance of inlet and discharge conditions can be found in The Moore Company's General Catalog.

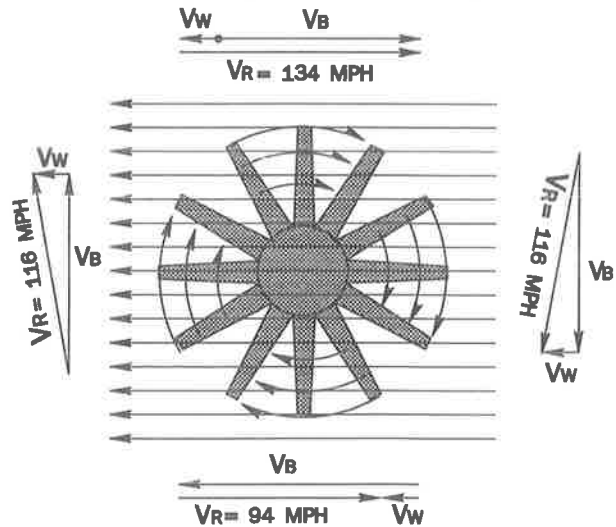
Ideally, air should approach a fan in an axial direction and at a uniform velocity over the area of the fan. Air approaching a fan at an angle tends to increase the relative velocity of the blades to the air on one side of the fan and decrease the relative velocity on the other side. This means that the fan blade during one-half of its revolution is picking up a heavier air load due to the higher relative velocity and, through the other half of its revolution, a lower air load as it goes "down wind". The net result is a repetitive loading and unloading of the blades at each revolution of the fan. This condition can be quite serious if the velocities are high and the angle of approach deviates considerably from axial.

### 4.5.2 WIND

With a vertically mounted fan blowing outward into the wind and surrounded by a short fan ring or stack, high winds may cause some concern. The farther the ring extends beyond the fan, the less effect would be expected from wind. It is a fact, however, that wind across the face of the ring will affect the direction of air flow well down into the ring. In the case of a fan installed near the outlet of the ring, the direction from axial of the fan discharge may be increased by as much as 45° under high wind conditions.

In the case of a fan blowing inward in a short ring, the condition is even more critical. In such an installation, the air on the inlet side of the fan has a horizontal velocity which may be quite high. It is necessary for the fan to pick up this air and direct it inward. In a strong wind, the angle of air moving through the fan may be increased more than 45°.

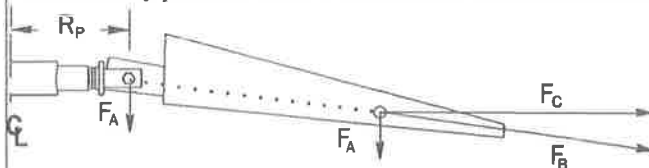
The illustration above assumes a fan operating with a tip speed ( $V_B$ ) of 10,000 feet per minute (114 miles per hour) with



a horizontal component of wind velocity ( $V_w$ ) of 20 miles per hour. Note that the velocity ( $V_R$ ) of the fan blade relative to the air varies by a factor of 1.43. The blade load varies as the square of this velocity, or 2.05.

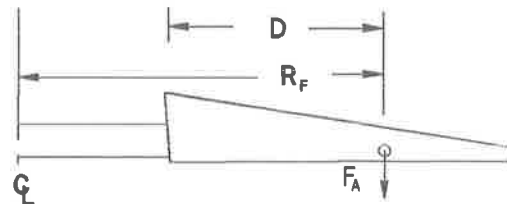
### THE EFFECT OF AIR LOAD ON HUB AND DRIVE

Moore fan blades are attached to the hub by a pivot. As the fan rotates, centrifugal force causes the blades to rise (as do the blades of a helicopter). The air load ( $F_A$ ) is uniform over the blade, but there is a point (shown on the blade in the drawing below) where, if the total load were applied at that point, the effect would be the same. The resultant of the air load ( $F_A$ ), assumed in this example to be downward, and the horizontal centrifugal force ( $F_C$ ) is the force on the blade ( $F_B$ ). The blade automatically positions itself in the direction of this force with



the result that the force is translated inward to the pivot point, as illustrated by the dotted line. The effect of this arrangement is exactly as if the total air load ( $F_A$ ) were applied at the pivot point rather than at the point outward on the blade. The maximum bending moment applied to the shaft by the air load is equal to the load ( $F_A$ ) multiplied by the distance from the fan centerline to the pivot point ( $R_P$ ).

In conventional fans with rigidly attached blades, the bending moment at the shaft due to the air load is equal to the load ( $F_A$ ) multiplied by the distance from the fan centerline to the point of application of the force on the blade ( $R_F$ ). This moment will be from 2 to 4 times as great as that produced by the Moore fan under the same conditions.



Also of concern with the conventional fan is the bending moment due to the air load at the point of attachment of the blades to the hub since this is usually the structurally weakest area of the fan. The moment due to the air load at this point is the load ( $F_A$ ) times the distance ( $D$ ). For the Moore fan, this moment is zero since the blades are attached at the pivot point.

A more complete discussion of the Moore fan design can be found in The Moore Company's General Catalog.

In this rather common wind condition, then, it can be seen that the blade load on the side where the blade is going against the wind will be double the load on the side where the blade is going with the wind. In a 40 mile per hour wind, the blade load would vary by a factor greater than 4. In a 60 mile per hour wind, the load would vary by a factor of more than 10! It is obvious that operation under such conditions will impose tremendous repetitive loadings on the fan blades.

In areas of unusually high wind velocities, it may be advisable to shield the fan in some manner.

#### **4.5.3 OBSTRUCTIONS**

Obstructions of one type or another in the air stream, ahead of or behind the fan, are to be expected. In fact, it would be virtually impossible to eliminate all obstructions. Structural supporting members, foundations and the like, need not be of serious concern although all obstructions, even small ones, will increase the static pressure and must be taken into consideration by the system designer in specifying the fan performance.

The total free area from which the fan can draw air should be twice the net area of the fan (fan area minus hub area). In other words, the air approaching the inlet of the fan should have no more than half the velocity of the air passing through the fan. This area

should be distributed reasonably uniformly. It would be unwise to attempt to operate a fan with one-half or one-third of the fan area completely blanked off. Such a condition would cause stalling of the fan blade through one-half the revolution but create a condition of overload in the half which was not blocked off. Excessive vibration would result. Any condition which forces the air to approach the fan in a non-axial direction should be avoided.

#### **4.5.4 UNEVEN TIP CLEARANCE**

Where fan rings are out of round or not centered with the fan, the tip clearance of each blade will vary as it makes a revolution. If tip clearance is tight at one point and excessive at another, proper flow will establish itself at the tight point, loading the blade to the very tip, while at the loose point the air will flow from the high pressure side of the blade through the opening between the blade tip and the ring and nullify the negative pressure on the under side of the blade. This will unload the blade near the tip within the area of excessive tip clearance. Under this condition, the blade will load and unload near the tip one or more times per revolution, resulting in an undesirable repetitive vibration. Every effort should be made to keep the tip clearance to a minimum and to have this clearance as constant as possible around the entire ring.



**IMPORTANT . . .**

Moore fans are frequently sold to original equipment manufacturers who sell their products, including the fan, to their customers who are usually unknown to The Moore Company. This makes it difficult for Moore to give prompt assistance to the owner in later years when more information or parts are required. By returning the Owner Registration card below, you will assure that The Moore Company will have accurate and detailed information about your fans in their permanent records, indexed by your company name, which will be readily accessible in the future. Owner registration will also make it possible for Moore to keep you informed about fan developments and new publications which may be of interest to you.

## OWNER REGISTRATION

**PLEASE  
TAKE A  
MOMENT TO  
COMPLETE  
AND  
RETURN  
THIS CARD  
NOW!**

**OWNER AND ULTIMATE USER:**

**MOORE JOB NO(S):**

COMPANY NAME: \_\_\_\_\_

MAILING ADDRESS: \_\_\_\_\_  
\_\_\_\_\_  
\_\_\_\_\_

**OWNER'S ADDRESS AT SITE:**

**OWNER'S REPRESENTATIVE AT SITE:**

NAME: \_\_\_\_\_

TITLE: \_\_\_\_\_

PHONE: \_\_\_\_\_

FAX: \_\_\_\_\_

SERIAL NO(S): (IF JOB NO. IS UNKNOWN)  
\_\_\_\_\_  
\_\_\_\_\_

**OWNER'S REFERENCE NUMBER(S):**  
\_\_\_\_\_  
\_\_\_\_\_

**INSTALLATION DATE:** \_\_\_\_\_

**TYPE OF INSTALLATION**  
\_\_\_\_\_  
\_\_\_\_\_

# For new users of Moore fans .....

Moore fans have a number of unique features. Some of these features are summarized here so that our new customers will understand their important advantages. If you would like to have more information about Moore fan design, please request a copy of The Moore Company's Engineering Catalog.

## Resilient Blade Mounting

Like the blades of a helicopter, Moore fan blades are attached to the hub by a pivot. In operation, centrifugal force causes the blades to rise to their working position. The pivot itself is surrounded by a vibration-absorbing resilient material. There are two major advantages to this design:

1. Compared to fans with rigidly mounted blades, only 1/4 to 1/2 of the stresses caused by the air load are transmitted to the hub and drive, substantially increasing the life of the fan driving mechanism.
2. Moore fans are ideally suited for operation by variable speed motors — the most efficient method for varying air flow — since resonant frequencies are eliminated and there are no critical speeds to be avoided.

## Low Inertia

Fan blades are jig-formed to the complex shape required for high aerodynamic efficiency. This method provides a blade that is rigid, yet lighter weight than possible with other forming methods. This lighter weight results in low blade inertia and lowers the possibility of fan damage in case of sudden emergency stops typical of engine drive operation.

## Odd or Even Numbers of Blades

Moore fans do not require an even number of blades since all blades are balanced to a standard moment. Because of the importance of avoiding either excess or insufficient blade area for efficient performance, it is an advantage to

be able to select any number of blades up to the physical limitation of the unit.

## Two Hubs

The ideal size of a fan hub from an aerodynamic point of view is much larger than the ideal size from a structural point of view. If the fan hub is too small, the blades do not terminate at the point where they become inefficient. Air flow will deteriorate or even reverse near the hub, resulting in wasted power. Yet, a hub of the size required by these aerodynamic considerations would be an extremely heavy and expensive structural member.

Moore avoids compromising on hub size by providing two hubs — a structural hub and an aerodynamic hub — each properly proportioned for its function. The aerodynamic hub is referred to as the air seal.

## Uniform Velocity from Hub to Tip

Uniform velocity over the entire blade area is the most important criteria of efficient axial flow fan design. To produce a uniform velocity throughout its length, a fan blade must vary from a thin, narrow tip to a thick, cambered root. Each point on the blade must have the proper combination of chord (blade width) and angle. This results in a great deal of twist in a properly designed blade.

Moore fan blades are jig-formed to provide the complex contour needed for high aerodynamic efficiency. Extruded blades (which must be of uniform width) cannot match the efficiency of blades that are properly proportioned.



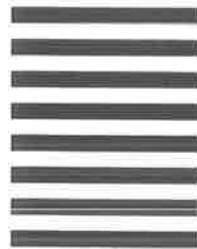
NO POSTAGE  
NECESSARY  
IF MAILED  
IN THE  
UNITED STATES

**BUSINESS REPLY CARD**

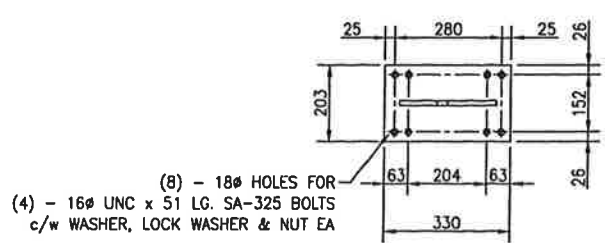
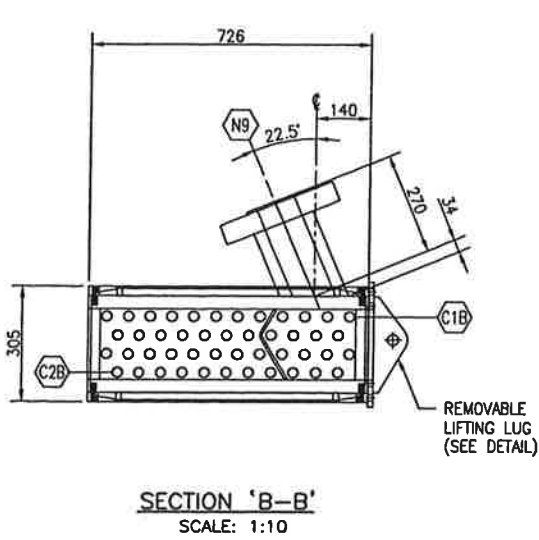
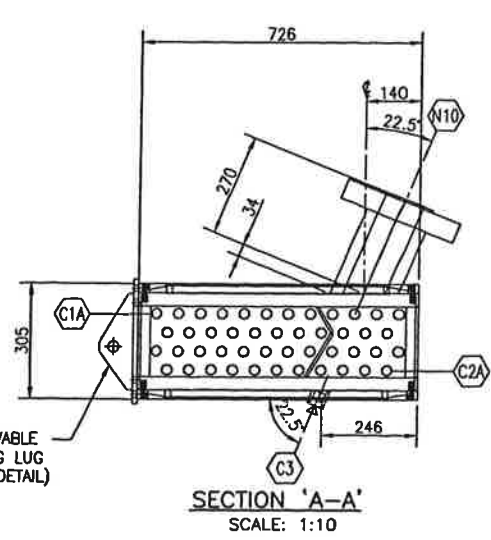
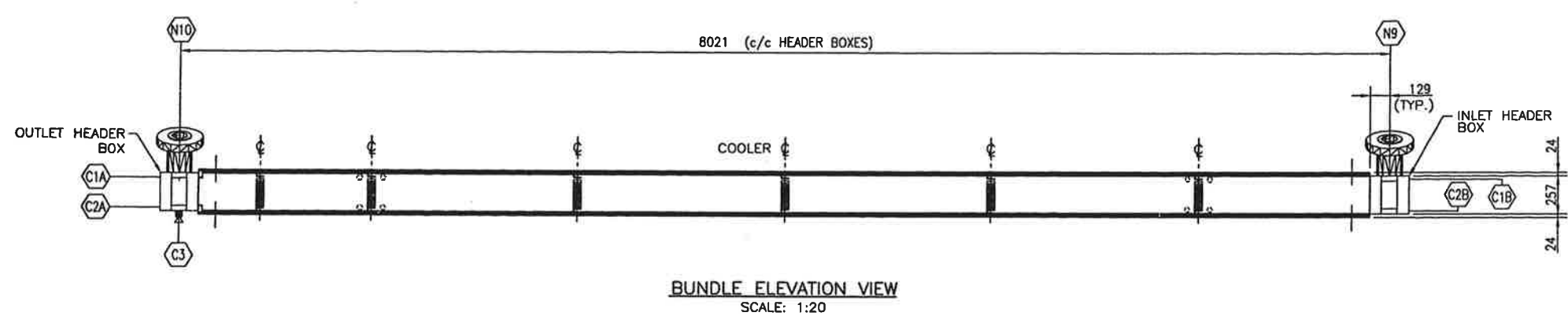
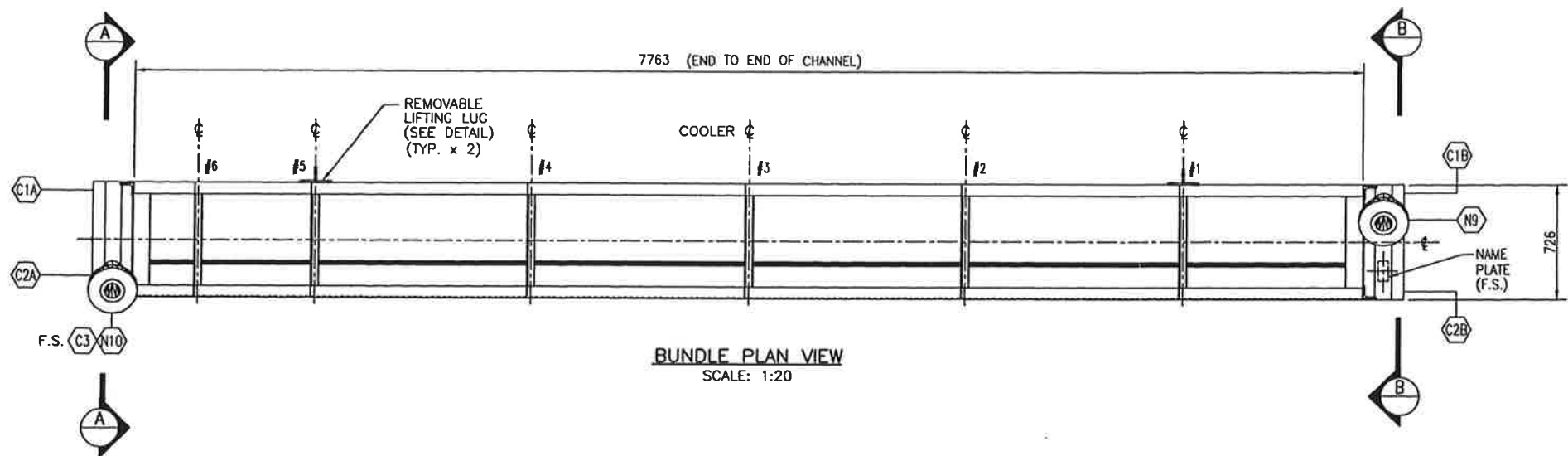
FIRST CLASS PERMIT NO. 4 MARCELINE, MO.

POSTAGE WILL BE PAID BY ADDRESSEE:

**THE MOORE COMPANY**  
800 S MISSOURI AVENUE  
MARCELINE MO 64658-9985

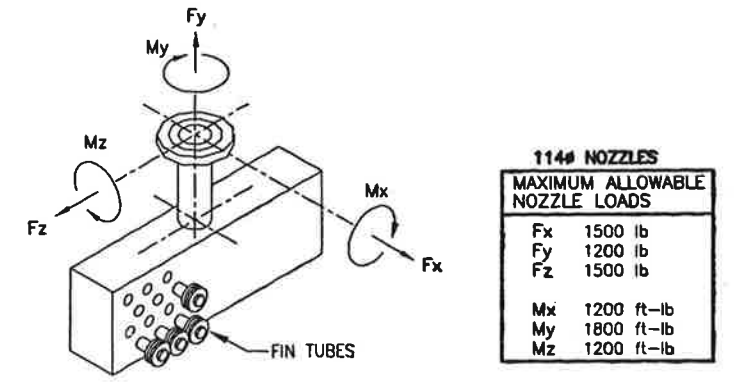


THE DESIGN IT COVERS ARE CONFIDENTIAL AND THE PROPERTY OF PROPAK SYSTEMS LTD. AND SHALL NOT BE DISCLOSED TO OTHERS OR REPRODUCED IN ANY MANNER OR USED FOR ANY PURPOSE WHATSOEVER EXCEPT BY WRITTEN CONSENT OF PROPAK.

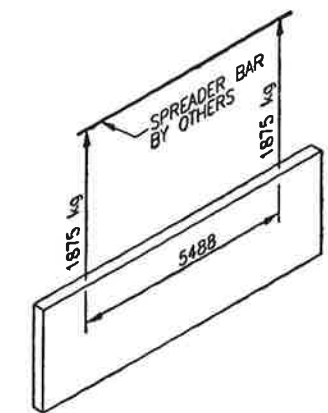


- NOTES:**
- HOLES SPACED 204 APART ARE FOR 305 DEEP SIDE CHANNEL. HOLES 280 APART ARE FOR 381 SIDE CHANNEL.
  - SHACKLE HOLE IS DESIGNED SO THAT THE BOTTOM OF THE SUSPENDED BUNDLE WILL "KICK OUT" SLIGHTLY TO AID IN PLACEMENT.
  - LUG SHOULD BE PERMANENTLY MARKED "2000 KG CAPACITY. (3000 KG DYNAMIC LOADING)".
  - ALWAYS USE 2 LUGS FOR LIFTING.
  - A SPREADER BAR IS REQ'D. TO ENSURE STRAIGHT UP LIFT.
  - ALL MATERIALS SA-36.

NOZZLE SCHEDULE							
MK	SIZE	RATING	FACING	SCH	SERVICE	EXT. PROJ	WELD
N9	114	1500#	RFLWN	30 W.T.	3rd STG. AFTERCOOLER INLET	SPEC	-
N10	114	1500#	RFLWN	30 W.T.	3rd STG. AFTERCOOLER OUTLET	SPEC	-
A/B	C1	29	SHLDR PLUG	12 UNF	VENT	-	-
A/B	C2	29	SHLDR PLUG	12 UNF	DRAIN	-	-
	C3	27	6000#	NPT	TC w/ PLUG	-	-



**MAXIMUM ALLOWABLE NOZZLE LOADS**  
FOR AC-212



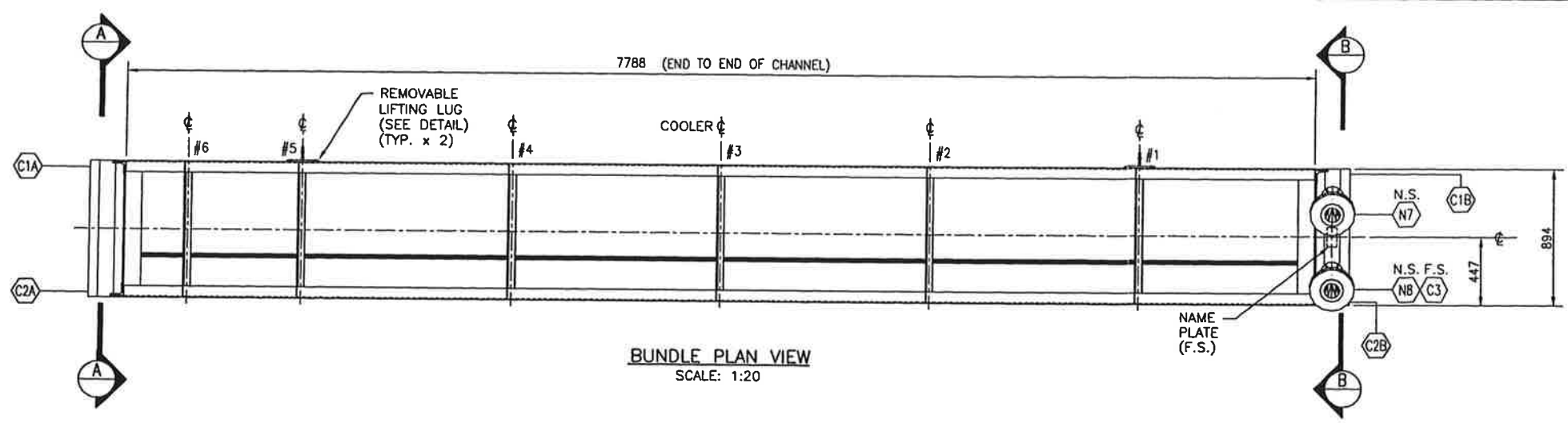
**NOTE:** WEIGHTS SHOWN IN DIAGRAM INCLUDE 50% EXCESS FOR DYNAMIC LOADING  
LIFTING DIAGRAM WEIGHT w/o IMPACT LOAD: 2500 kg

MANUFACTURERS SPECS		SERIAL NO: 99420-331 CRN: P-1995.2	
SERVICE:	NATURAL GAS	YEAR BUILT:	2000
MECHANICAL LOADING GOVERNS PER UG 22:	NO	LSD #:	
PRODUCTION IMPACT TEST REQ'D:	NO	CODE:	
IMPACT TESTING:	NO - PER UHA-51(d)(1)(a)	ASME SECT. VIII DIV 1, '98 , ADDENDA '99	
CAPACITY:	0.153 m <sup>3</sup>	DESIGN PRESSURE:	11377 kPag
TUBE S.A. INCL FINS	610.37 m <sup>2</sup>	DESIGN TEMPERATURE:	176 °C
WEIGHT EMPTY:	2500 kg	M.D.M.T.:	-28.8°C @ 11377 kPag
WEIGHT FULL OF WATER:	2653 kg	HYDROTEST PRESSURE	17065 kPag
PAINT SPEC: (NON-STAINLESS PARTS)	PNT-11	MATERIAL: TUBES:	SA-249-TP304 (WELDED)
INSULATION:	NONE	HEADER:	SA-240-304L
SHIP LOOSE:	NO	RADIOGRAPHY:	N/A
		PWHT: MIN TEMP/TIME	NO
		CORR. ALLOWANCE:	3.18 mm
		"SOUR SERVICE"	
		TAG NO:	AC-212

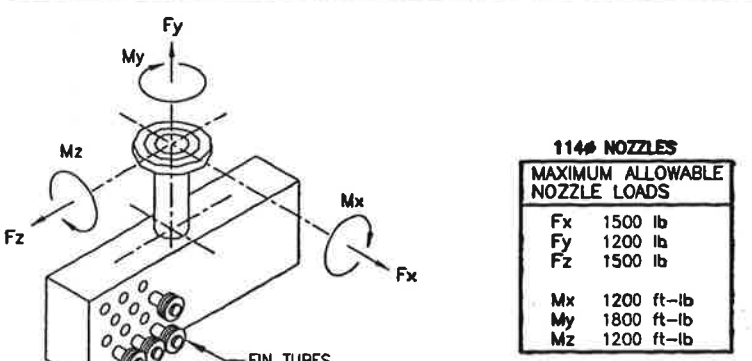
GENERAL NOTES		GENERAL NOTES		APPROVED		DRAWN		APACHE CANADA LIMITED		440 East Lake Road,	
DATE: 2001.01.26 2:45pm	FILE NAME: J:\jobs99\DWG\99420\Comp\Misc\BDL-99420-331-SKT-01.dwg	SKT	ISSUED FOR DOCUMENTATION	D. DOR	01/01/26	VK	GW	1478 HP HAMBURG COMPRESSOR PACKAGE		Postal Bag #2	
		No.	REVISION	BY	DATE	CKD	ENG	3rd STAGE AFTERCOOLER		Airdrie, Alberta	
								AC-212		Canada T4B 2C3	
								DWG. No.:	D-BDL-99420-331-SKT	SHT. 1 OF 1	REV. SKT



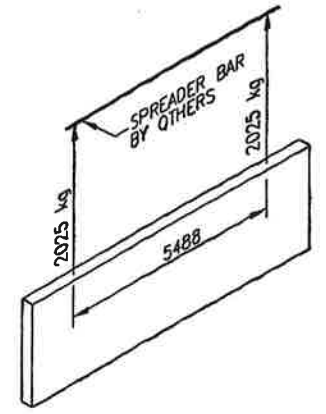
THIS DRAWING AND THE DESIGN IT COVERS ARE CONFIDENTIAL AND THE PROPERTY OF PROPAK SYSTEMS LTD., AND SHALL NOT BE DISCLOSED TO OTHERS OR REPRODUCED IN ANY MANNER OR USED FOR ANY PURPOSE WHATSOEVER EXCEPT BY WRITTEN CONSENT OF PROPAK.



NOZZLE SCHEDULE							
MK	SIZE	RATING	FACING	SCH	SERVICE	EXT. PROJ.	WELD
N7	114	900#	RFLWN	28.5 WT	2nd STG. INTERCOOLER INLET	SPEC	-
N8	114	900#	RFLWN	28.5 WT	2nd STG. INTERCOOLER OUTLET	SPEC	-
A/B	C1	29	SHLDR PLUG	12 UNF	VENT	-	-
A/B	C2	29	SHLDR PLUG	12 UNF	DRAIN	-	-
A/B	C3	27	6000#	NPT	TC w/ PLUG	-	-

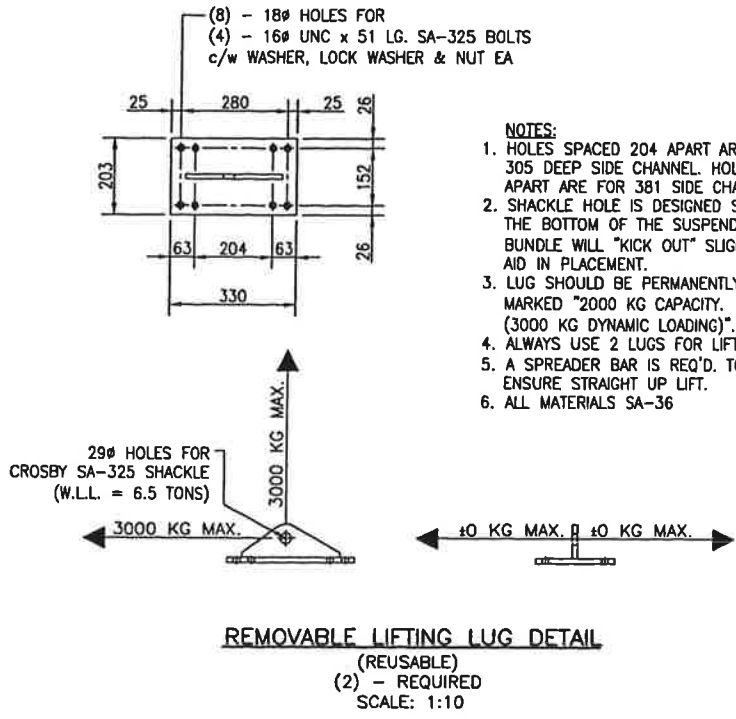
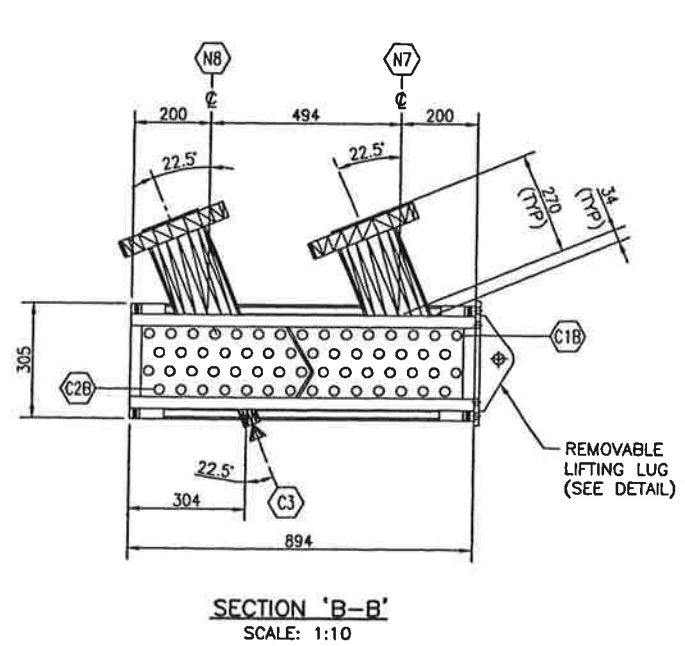
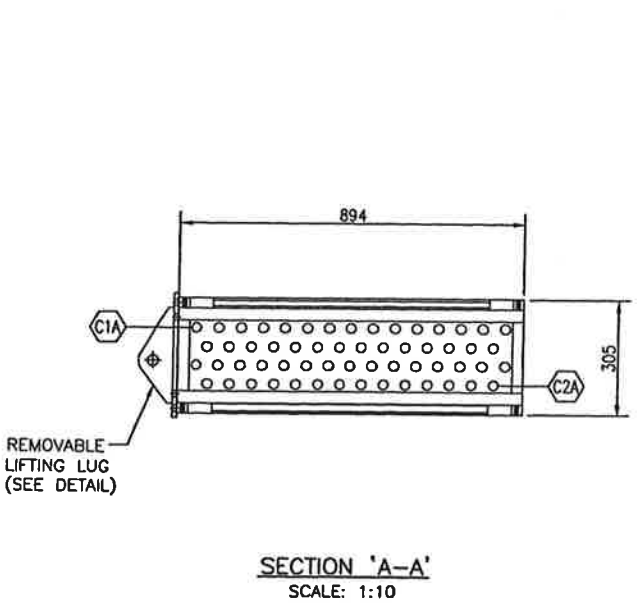
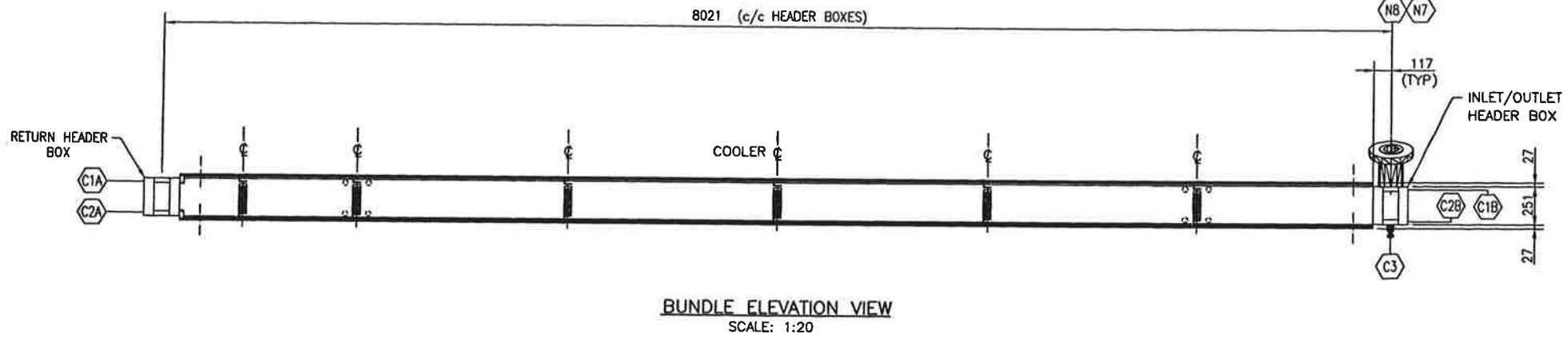


**MAXIMUM ALLOWABLE NOZZLE LOADS**  
FOR AC-211



NOTE: WEIGHTS SHOWN IN DIAGRAM INCLUDE 50% EXCESS FOR DYNAMIC LOADING  
LIFTING DIAGRAM WEIGHT w/o IMPACT LOAD: 2700 kg

**LIFTING DIAGRAM**  
FOR AC-211

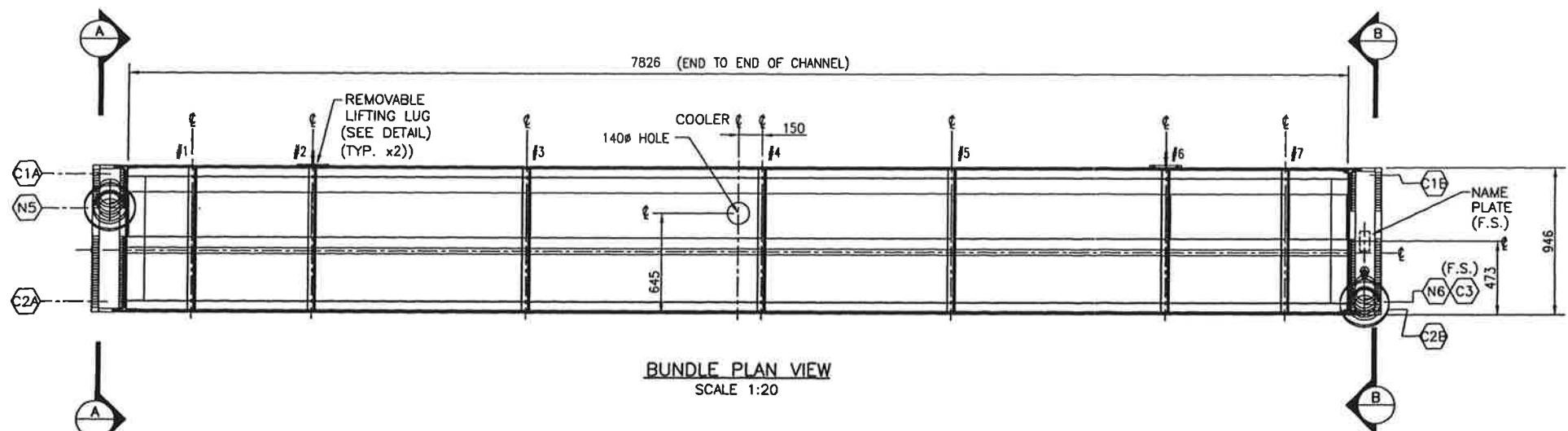


- NOTES:**
- HOLES SPACED 204 APART ARE FOR 305 DEEP SIDE CHANNEL. HOLES 280 APART ARE FOR 381 SIDE CHANNEL.
  - SHACKLE HOLE IS DESIGNED SO THAT THE BOTTOM OF THE SUSPENDED BUNDLE WILL "KICK OUT" SLIGHTLY TO AID IN PLACEMENT.
  - LUG SHOULD BE PERMANENTLY MARKED "2000 KG CAPACITY. (3000 KG DYNAMIC LOADING)".
  - ALWAYS USE 2 LUGS FOR LIFTING.
  - A SPREADER BAR IS REQ'D. TO ENSURE STRAIGHT UP LIFT.
  - ALL MATERIALS SA-36

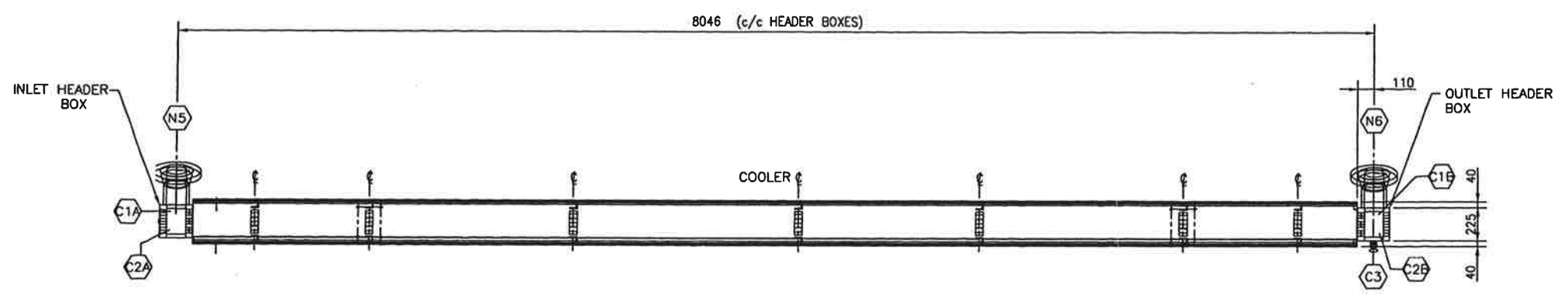
MANUFACTURERS SPECS		SERIAL NO: 99420-332 CRN: P-1994.2	
SERVICE:	NATURAL GAS	YEAR BUILT:	2000
MECHANICAL LOADING GOVERNS PER UG 22:	NO	PRODUCTION IMPACT TEST REQ'D:	NO
IMPACT TESTING:	NO - PER UHA-51(d)(1)(a)	CODE:	ASME SECT. VIII DIV I, '98, ADDENDA '99
CAPACITY:	0.193 m <sup>3</sup>	DESIGN PRESSURE:	8908 kPag
TUBE S.A. INCL FINS:	772.13 m <sup>2</sup>	DESIGN TEMPERATURE:	176 °C
WEIGHT EMPTY:	2700 kg	M.D.M.T.:	-28.8°C @ 8908 kPag
WEIGHT FULL OF WATER:	2893 kg	HYDROTEST PRESSURE:	13363 kPag
PAINT SPEC: (NON-STAINLESS PARTS)	PNT-11	MATERIAL: TUBES:	SA-249-TP304 (WELDED)
INSULATION:	NONE	HEADER:	SA-204-304L
SHIP LOOSE:	NO	RADIOGRAPHY:	N/A EXCEPT FULL UW11(a) ON ONE WELD
		PWHT: MIN TEMP/TIME	NO
		CORR. ALLOWANCE:	3.18 mm
		"SOUR SERVICE"	
		TAG NO:	AC-211

GENERAL NOTES				GENERAL NOTES				APPROVED				DRAWN				APACHE CANADA LIMITED			
DATE: 2001.01.26 2:40pm FILE NAME: J:\Jobs99\DWG\99420\Comp\Misc\BDL-99420-332-SKT-01.dwg				SKT ISSUED FOR DOCUMENTATION				D. DOR 01/01/26 VK CW				MECH./STRUCT. BY DATE				1478 HP HAMBURG COMPRESSOR PACKAGE			
REVISION				BY DATE CKD ENG				DATE				ELECTRICAL BY DATE				2nd STAGE INTERCOOLER			
								PROJECT DATE				AC-211				440 East Lake Road,			
								SCALE AS NOTED				DWG. No.: D-BDL-99420-332-SKT SHT. 1 OF 1				Postal Bag #2			
																Airdrie, Alberta			
																Canada T4B 2C3			

THIS DRAWING AND THE PROPERTY OF PROPAC SYSTEMS LTD., AND SHALL NOT BE DISCLOSED TO OTHERS OR REPRODUCED IN ANY MANNER OR USED FOR ANY PURPOSE WHATSOEVER EXCEPT BY WRITTEN CONSENT OF PROPAC.

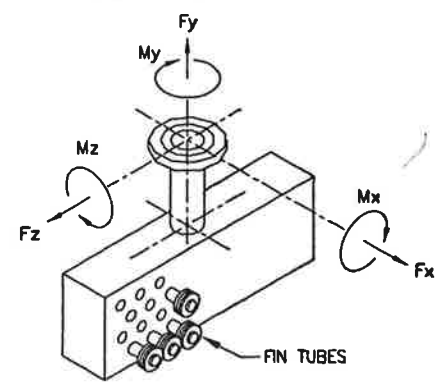


**BUNDLE PLAN VIEW**  
SCALE 1:20



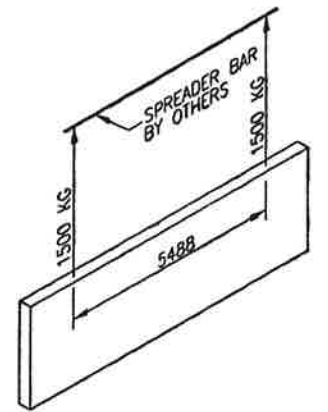
**BUNDLE ELEVATION VIEW**  
SCALE 1:20

NOZZLE SCHEDULE						
MK	SIZE	RATING	FACING	SCH	SERVICE	EXT. PROJ WELD
N5	168	600#	RFWN	160	1st STAGE INTERCOOLER INLET	254
N6	168	600#	RFWN	160	1st STAGE INTERCOOLER OUTLET	254
A/B	C1	41	SHLDR PLUG	12UN	VENT	-
A/B	C2	41	SHLDR PLUG	12UN	DRAIN	-
	C3	27	6000#	NPT	TC c/w PLUG	-



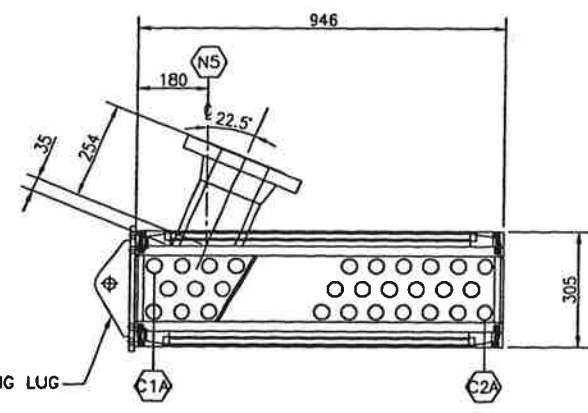
168 NOZZLES	
MAXIMUM ALLOWABLE NOZZLE LOADS	
Fx	1800 lb
Fy	2260 lb
Fz	2260 lb
Mx	3160 ft-lb
My	4500 ft-lb
Mz	2400 ft-lb

**MAXIMUM ALLOWABLE NOZZLE LOADS**  
FOR AC-212

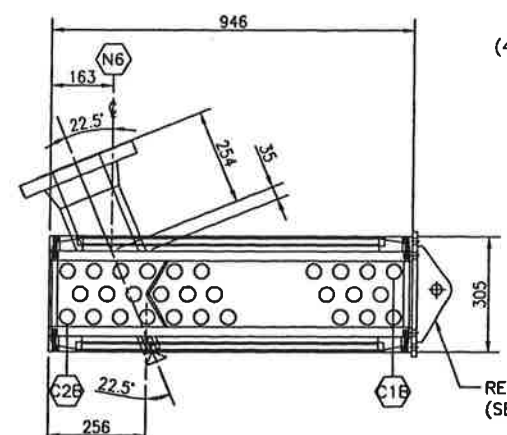


**NOTE: WEIGHTS SHOWN IN DIAGRAM INCLUDE 50% EXCESS FOR DYNAMIC LOADING**  
LIFTING DIAGRAM WEIGHT w/o IMPACT LOAD:

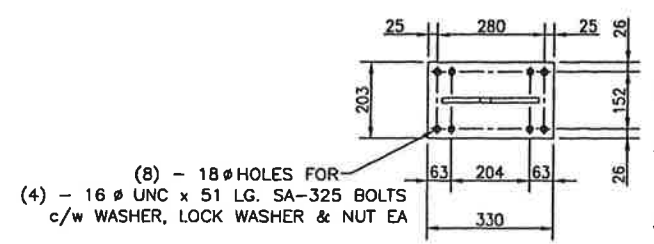
**LIFTING DIAGRAM**  
FOR AC-212



**SECTION 'A-A'**  
SCALE 1:10

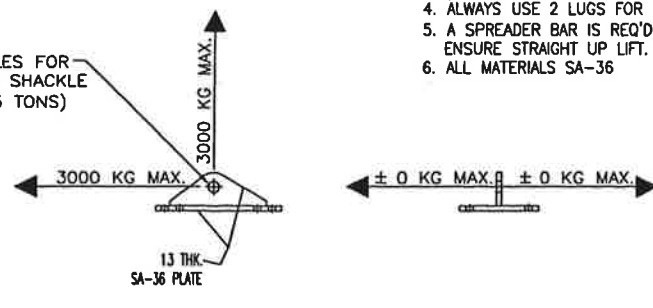


**SECTION 'B-B'**  
SCALE 1:10



- NOTES:**
- HOLES SPACED 204 APART ARE FOR 305 DEEP SIDE CHANNEL. HOLES 280 APART ARE FOR 381 SIDE CHANNEL.
  - SHACKLE HOLE IS DESIGNED SO THAT THE BOTTOM OF THE SUSPENDED BUNDLE WILL "KICK OUT" SLIGHTLY TO AID IN PLACEMENT.
  - LUG SHOULD BE PERMANENTLY MARKED "2000 KG CAPACITY, (3000 KG DYNAMIC LOADING)".
  - ALWAYS USE 2 LUGS FOR LIFTING.
  - A SPREADER BAR IS REQ'D. TO ENSURE STRAIGHT UP LIFT.
  - ALL MATERIALS SA-36

29 Ø HOLES FOR CROSBY SA-325 SHACKLE (W.L.L. = 6.5 TONS)

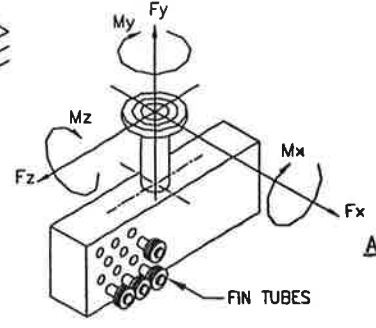
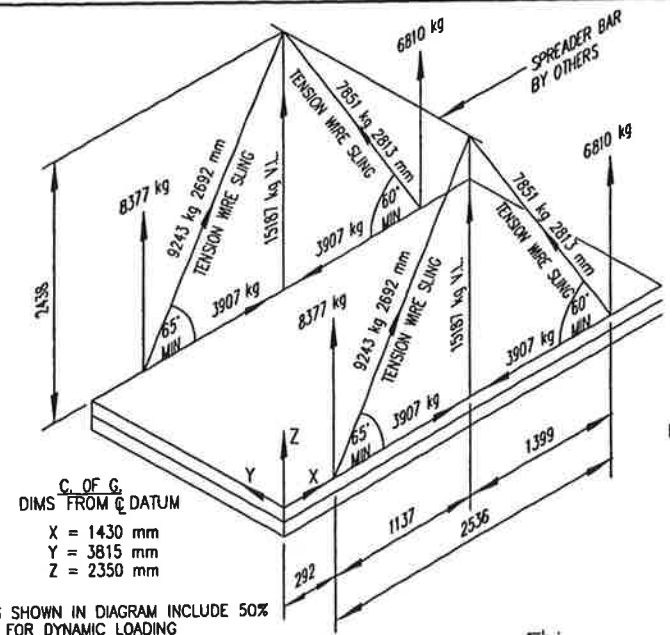
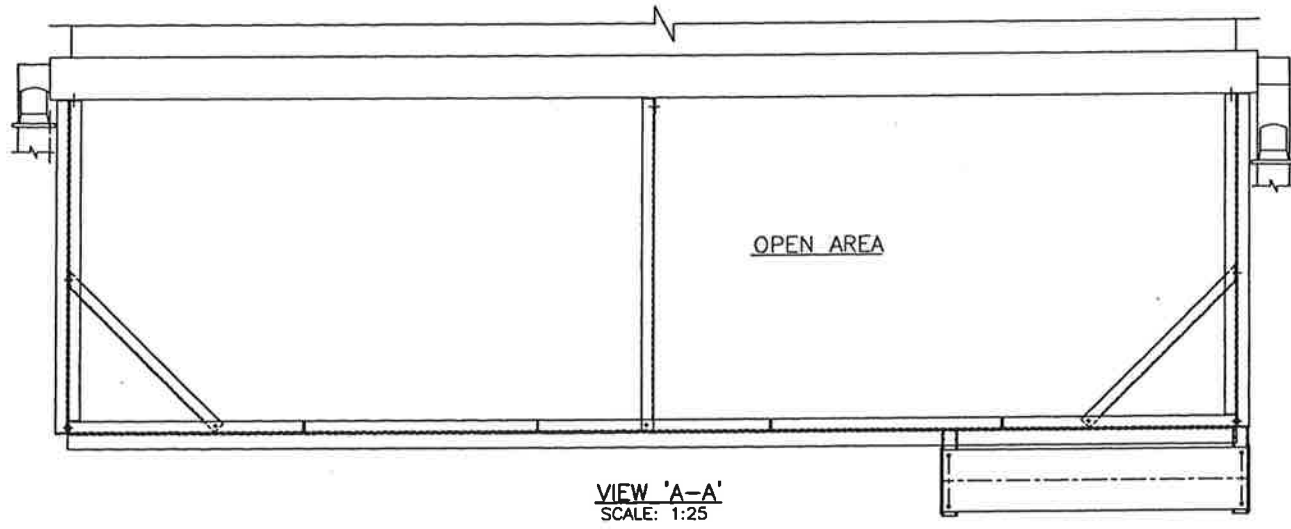


**REMOVABLE LIFTING LUG DETAIL (REUSABLE)**  
(2) - REQUIRED  
SCALE 1:10

MANUFACTURERS SPECS		SERIAL NO: 99420-333 CRN: P-1993.2	
OCP:	AQP-1050(S), AQP-1227(S)	YEAR BUILT:	2000
WPR:	WP-590.2	LSD #:	-
SERVICE:	NATURAL GAS	CODE:	ASME SECT. VIII DIV 1, '98, ADDENDA '99
MECHANICAL LOADING GOVERNS PER UG 22:	NO	DESIGN PRESSURE:	4447 kPag
PRODUCTION IMPACT TEST REQ'D:	NO	DESIGN TEMPERATURE:	176°C
IMPACT TESTING:	NO - PER UHA-51(d)(1)(a)	M.D.M.T.:	-28.8°C @ 4447 kPag
CAPACITY:	0.248 m <sup>3</sup>	HYDROTEST PRESSURE:	6670 kPag
WEIGHT EMPTY:	2000 kg	MATERIAL:	TUBES: SA-249-TP304 (WELDED)
WEIGHT FULL OF WATER:	2248 kg	HEADER:	SA-240-304L
TUBE S.A. INCL FINS:	509.71 m <sup>2</sup>	RADIOGRAPHY:	N/A EXCEPT FULL UW11(a) ON FLG TO PIPE OF NOZ
PAINT SPEC: (NON-STAINLESS PARTS):	PNT-11	PWHT: MIN TEMP/TIME:	NO
INSULATION:	NONE	CORR. ALLOWANCE:	3.18 mm
SHIP LOOSE:	NO	"SOUR SERVICE" TAG NO:	AC-210

GENERAL NOTES		GENERAL NOTES		APPROVED		DRAWN		APACHE CANADA LIMITED		440 East Lake Road, Postal Bag #2, Airdrie, Alberta, Canada T4B 2C3	
DATE: 2001.01.26 2:55pm	FILE NAME: J:\jobs99\DWG\99420\Comp\Misc\BDL-99420-333-SKT-01.dwg	SKT	ISSUED FOR DOCUMENTATION	D. DOR	01/01/26	WK	GW	1478 HP HAMBURG COMPRESSOR PACKAGE		1st STAGE INTERCOOLER	
		No.	REVISION	BY	DATE	CKD	ENG	AC-210		AC-210	
								DWG. No.:	D-BDL-99420-333-SKT	SHT. 1 OF 1	REV. SKT

MK	SIZE	RATING	FACING	SERVICE	ELEVATION
N1	168	150#	RFWN	EJW (AC-220) INLET	SPEC.
N2	168	150#	RFWN	EJW (AC-220) OUTLET	SPEC.
N3	89	150#	RFWN	AJW (AC-230) INLET	SPEC.
N4	89	150#	RFWN	AJW (AC-230) OUTLET	SPEC.
N5	168	600#	RFWN	1st STAGE INTERCOOLER (AC-210) INLET	SPEC.
N6	168	600#	RFWN	1st STAGE INTERCOOLER (AC-210) OUTLET	SPEC.
N7	114	900#	RFLWN	2nd STAGE INTERCOOLER (AC-211) INLET	SPEC.
N8	114	900#	RFLWN	2nd STAGE INTERCOOLER (AC-211) OUTLET	SPEC.
N9	114	1500#	RFLWN	3rd STAGE AFTERCOOLER (AC-212) INLET	SPEC.
N10	114	1500#	RFLWN	3rd STAGE AFTERCOOLER (AC-212) OUTLET	SPEC.

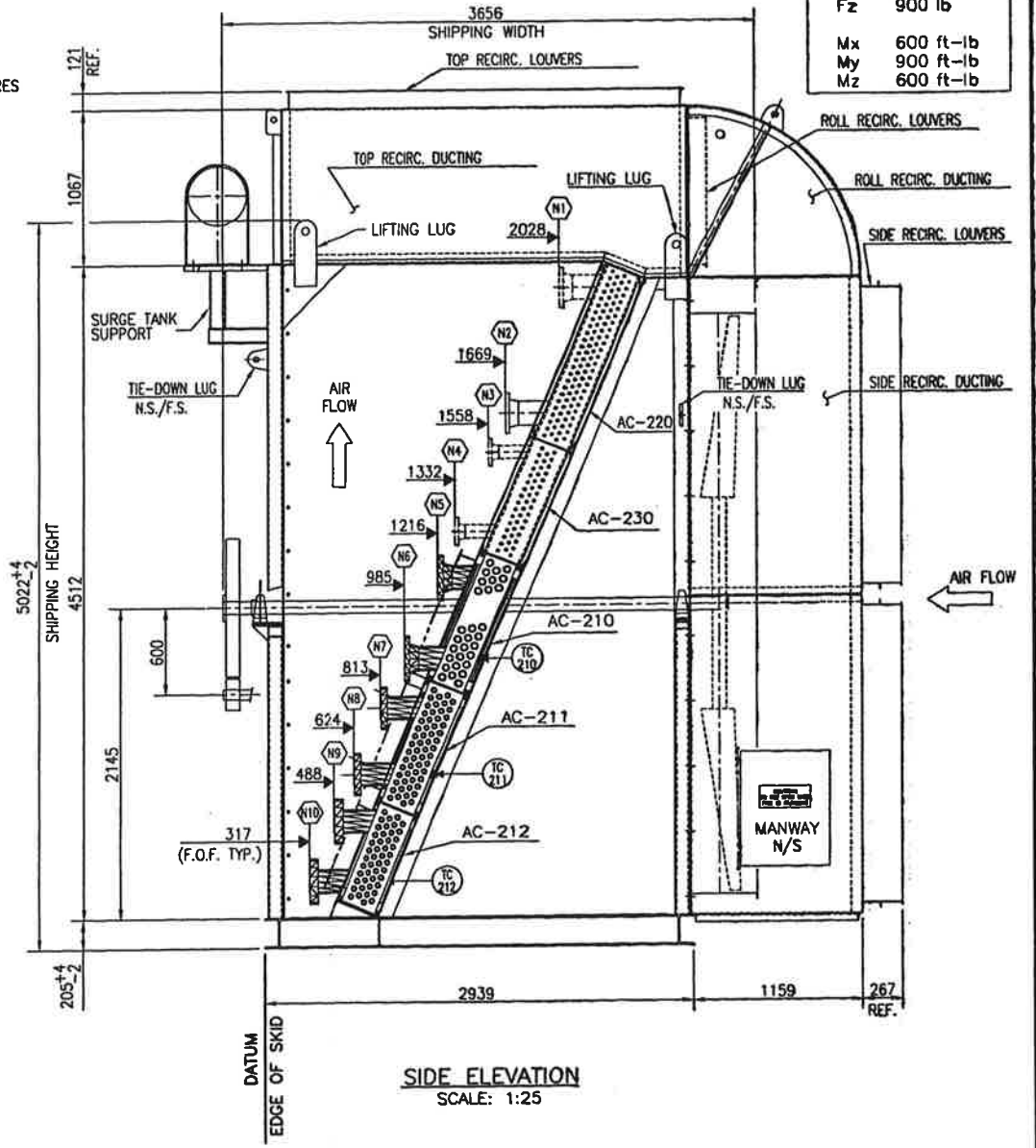
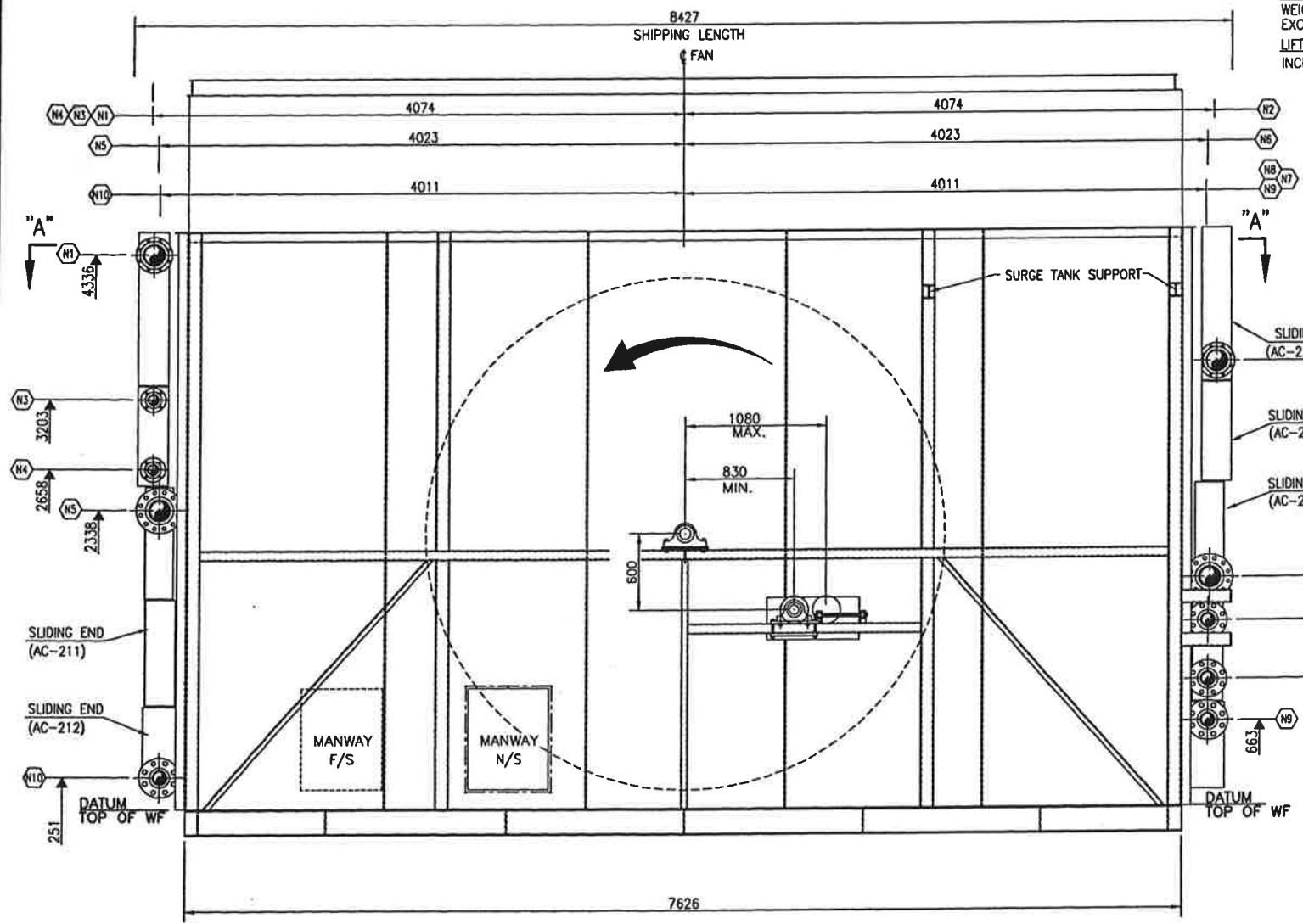


MAXIMUM ALLOWABLE 168 O/D NOZZLE LOADS		MAXIMUM ALLOWABLE 114 O/D NOZZLE LOADS	
Fx	1800 lb	Fx	1500 lb
Fy	2260 lb	Fy	1200 lb
Fz	2260 lb	Fz	1500 lb
Mx	3160 ft-lb	Mx	1200 ft-lb
My	4500 ft-lb	My	1800 ft-lb
Mz	2400 ft-lb	Mz	1200 ft-lb

MAXIMUM ALLOWABLE 89 O/D NOZZLE LOADS	
Fx	900 lb
Fy	760 lb
Fz	900 lb
Mx	600 ft-lb
My	900 ft-lb
Mz	600 ft-lb

NOTE: WEIGHTS SHOWN IN DIAGRAM INCLUDE 50% EXCESS FOR DYNAMIC LOADING  
 LIFTING DIAGRAM WEIGHT: 20,250 KG. (WITHOUT IMPACT LOADING)  
 INCLUDES: COOLER STRUCTURAL STEEL, BUNDLES & BUNDLE LOUVRES

**LIFTING DIAGRAM**  
 FOR COOLER ASSEMBLY  
 AC-210/211/212/220/230



DURING FIELD INSTALLATION TACK WELDS, WHICH ARE LOCATED AT THE SLIDING END OF EACH BUNDLE AND WHICH ATTACH HEADER BOX T-BARS TO THE BUNDLE SIDE CHANNEL, MUST BE REMOVED. THESE WELDS WILL BE COLORED RED OR ORANGE.

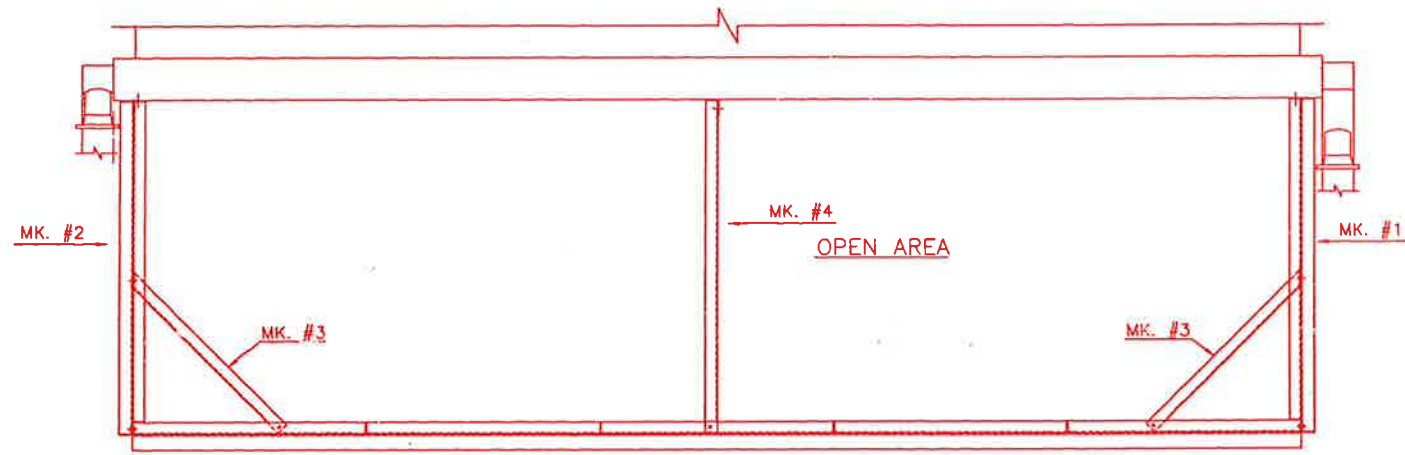
APPROVED		DRAWN		APACHE CANADA LTD.	
MECH/STRUCT.	BY	BY	CHECKED	1478 HP HAMBURG COMPRESSOR PACKAGE	
DATE	DATE	DATE	DATE	AERIAL COOLER LAYOUT (AC-210/211/212/220/230)	
ELECTRICAL	BY	BY	DATE	MDL: 1-SV-1-156-312-F (WAUKESHA L7042GL)	
DATE	DATE	DATE	DATE	DWG. No.: D-LYT-99420-238-SKT SHT. 1 OF 1 REV. SKT	
PROJECT	SCALE	AS NOTED			
DATE					

GENERAL NOTES: SKT ISSUED FOR DOCUMENTATION D. DOR 01/01/26 W GW  
 REVISION: BY DATE CKD ENG

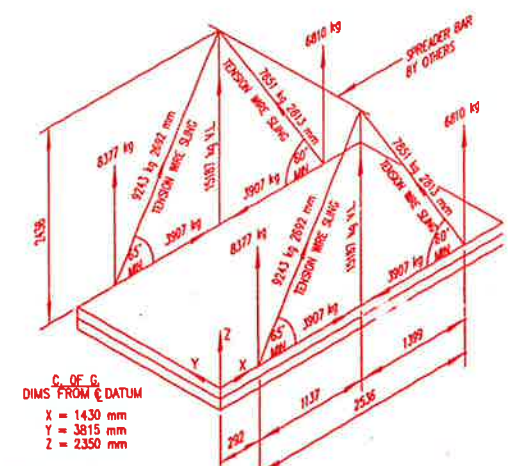
PROPAC 440 East Lake Road, Postal Bag #2 Airdrie, Alberta Canada T4B 2C3

THIS DRAWING AND THE DESIGN IT COVERS ARE CONFIDENTIAL AND THE PROPERTY OF PROPAC SYSTEMS LTD. AND SHALL NOT BE DISCLOSED TO OTHERS OR REPRODUCED IN ANY MANNER OR USED FOR ANY PURPOSE WHATSOEVER EXCEPT BY WRITTEN CONSENT OF PROPAC.

MK	SIZE	RATING	FACING	SERVICE	E ELEVATION
N1	168	150#	RFWN	EJW (AC-220) INLET	SPEC.
N2	168	150#	RFWN	EJW (AC-220) OUTLET	SPEC.
N3	89	150#	RFWN	AJW (AC-230) INLET	SPEC.
N4	89	150#	RFWN	AJW (AC-230) OUTLET	SPEC.
N5	168	600#	RFLWN	1st STAGE INTERCOOLER (AC-210) INLET	SPEC.
N6	168	600#	RFLWN	1st STAGE INTERCOOLER (AC-210) OUTLET	SPEC.
N7	114	900#	RFLWN	2nd STAGE INTERCOOLER (AC-211) INLET	SPEC.
N8	114	900#	RFLWN	2nd STAGE INTERCOOLER (AC-211) OUTLET	SPEC.
N9	114	1500#	RFLWN	3rd STAGE AFTERCOOLER (AC-212) INLET	SPEC.
N10	114	1500#	RFLWN	3rd STAGE AFTERCOOLER (AC-212) OUTLET	SPEC.



**VIEW 'A-A'**  
 NOTE:  
 MK. #1 & #2: SEE DWG.# D-FRM-99420-236 (SHT. 2 OF 5)  
 MK. #3 & #4: SEE DWG.# D-FRM-99420-236 (SHT. 5 OF 5)

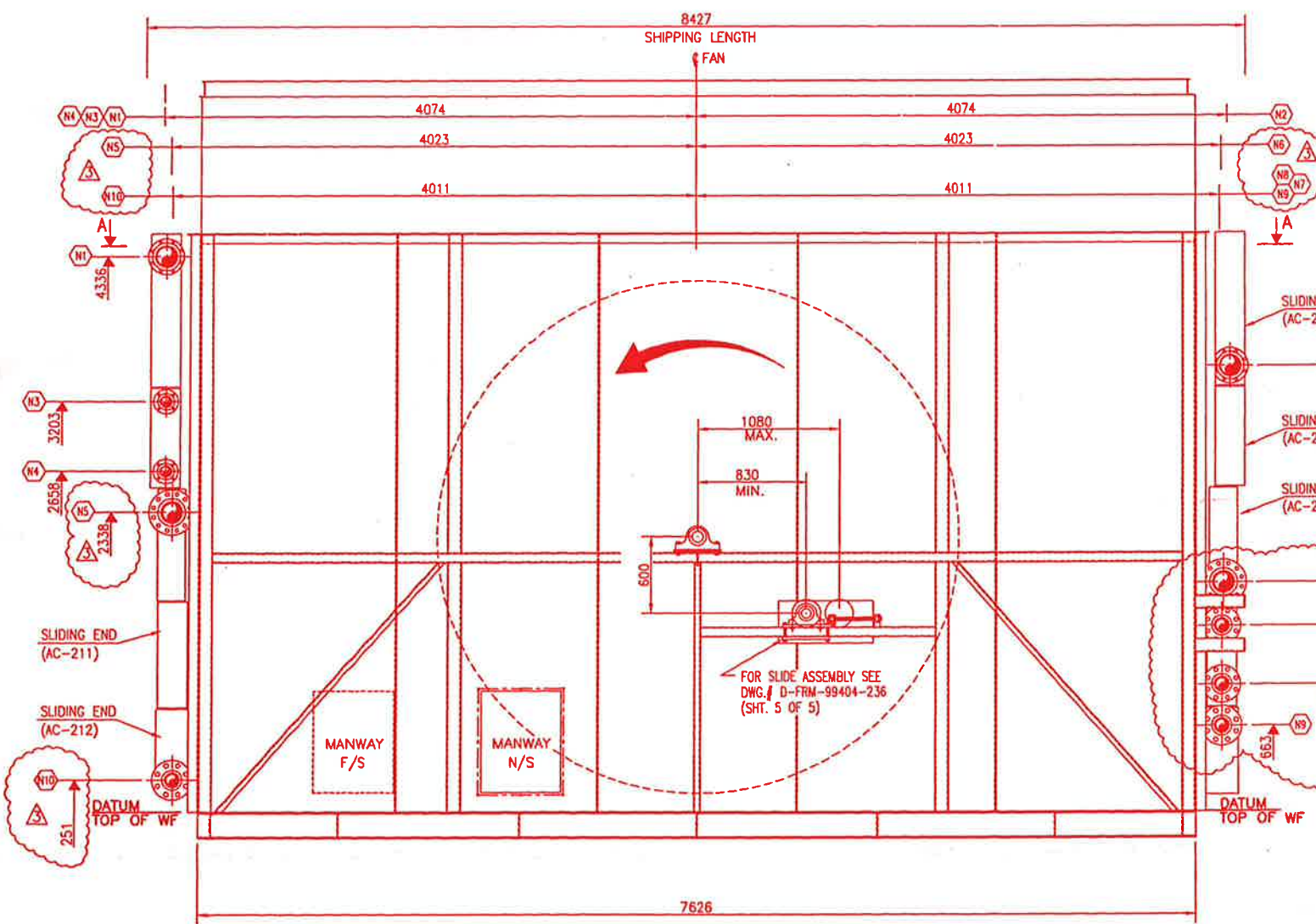


NOTE:  
 WEIGHTS SHOWN IN DIAGRAM INCLUDE 50% EXCESS FOR DYNAMIC LOADING  
 LIFTING DIAGRAM WEIGHT: 20,250 KG. (WITHOUT IMPACT LOADING)  
 INCLUDES: COOLER STRUCTURAL STEEL, BUNDLES & BUNDLE LOUVERS

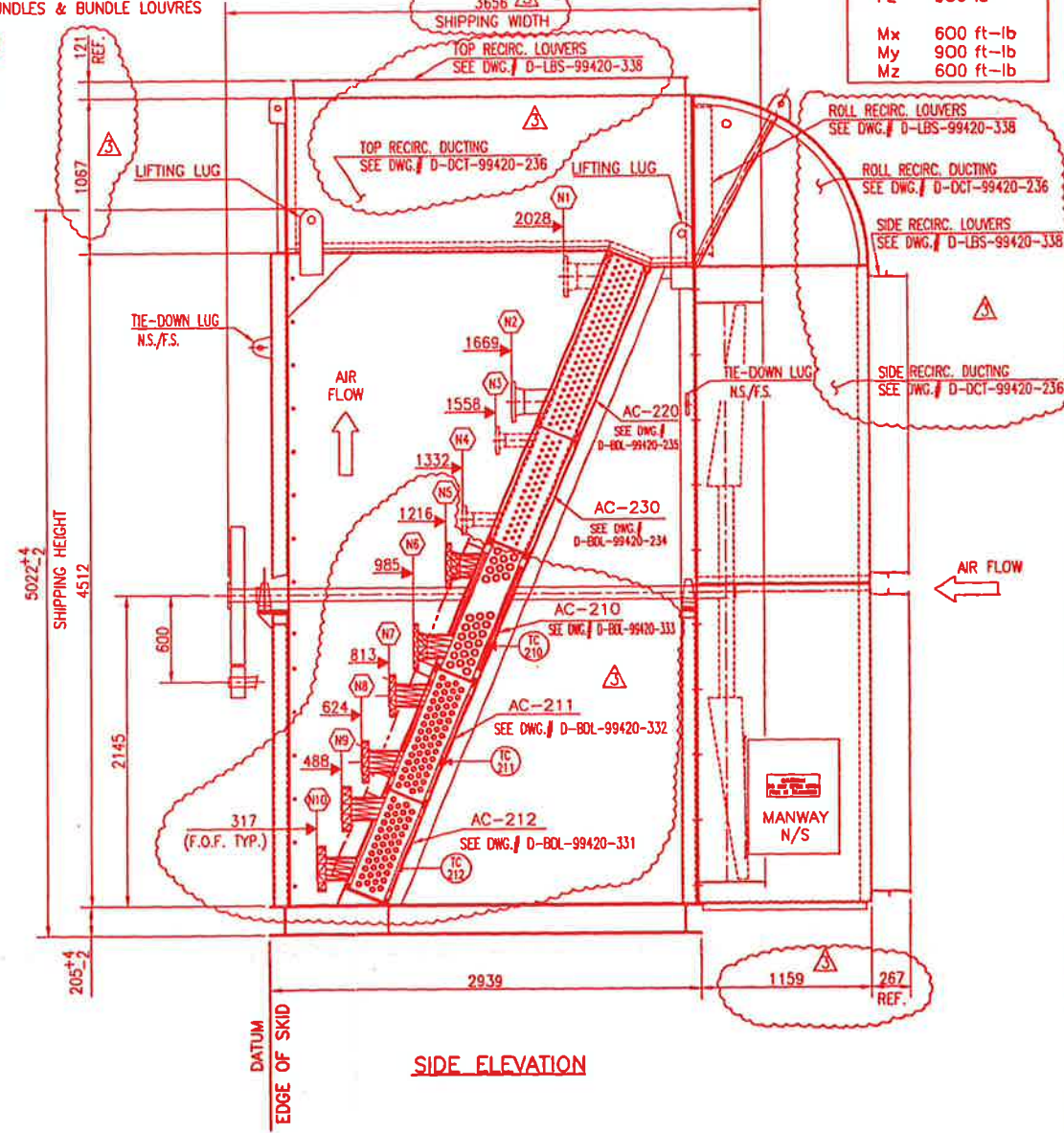
MAXIMUM ALLOWABLE 168 O/D NOZZLE LOADS		MAXIMUM ALLOWABLE 114 O/D NOZZLE LOADS	
Fx	1800 lb	Fx	1500 lb
Fy	2260 lb	Fy	1200 lb
Fz	2260 lb	Fz	1500 lb
Mx	3160 ft-lb	Mx	1200 ft-lb
My	4500 ft-lb	My	1800 ft-lb
Mz	2400 ft-lb	Mz	1200 ft-lb

**ALLOWABLE NOZZLE LOAD**

MAXIMUM ALLOWABLE 89 O/D NOZZLE LOADS	
Fx	900 lb
Fy	760 lb
Fz	900 lb
Mx	600 ft-lb
My	900 ft-lb
Mz	600 ft-lb



**DRIVE END VIEW**



**SIDE ELEVATION**

1. TOTAL WEIGHT OF UNIT APPROX.: 25,000 KG	
2. SHIP LOOSE WEIGHT: APPROX. 4750 KGS (DUCTING & RECIRC. LOUVERS)	
<b>GENERAL NOTES</b>	
DATE: 2000.10.06 3:32pm	FILE NAME: j:\jobs99\DWG\99420\Clr - client change\LYT-99420-238-01.dwg

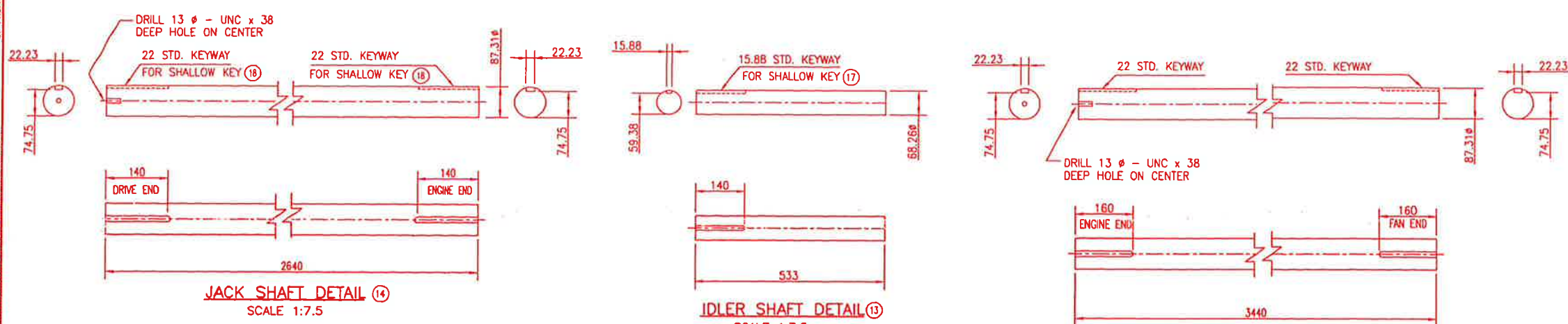
No.	REVISION	BY	DATE	CKD	ENG
3	ADDED DUCTING & RECIRC LOUVERS/REPLACED BUNDLES AC-210/211/212	LIBRAGINSKY	00/10/06	DP	JW
2	REMOVED FAN GUARD & MUFFLER SUPPORT/SHIPPING WIDTH WAS 4005	LIBRAGINSKY	00/05/17	J.D.	P.C.
1	ISSUED FOR CONSTRUCTION	D. PAROBE	00/02/17	IE FOR JD	TK

APPROVED		DRAWN	
MECH./STRUCT. SEKMS	BY	I. BRAGINSKY	
DATE	00/05/17	DATE	00/05/15
ELECTRICAL		CHECKED	
DATE		BY	J. DELORME
PROJECT	P. CRAWFORD	DATE	00/05/17
DATE	00/05/17	SCALE	1:25

<b>APACHE CANADA LTD.</b>	
1480 HP HAMBURG COMPRESSOR PACKAGE	
AERIAL COOLER LAYOUT (AC-210/211/212/220/230)	
MDL.: 1-SV-1-156-312-F (WAUKESHA L7042GL)	
DWG. No.:	D-LYT-99420-238
SHEET	1 OF 2
REV.	3

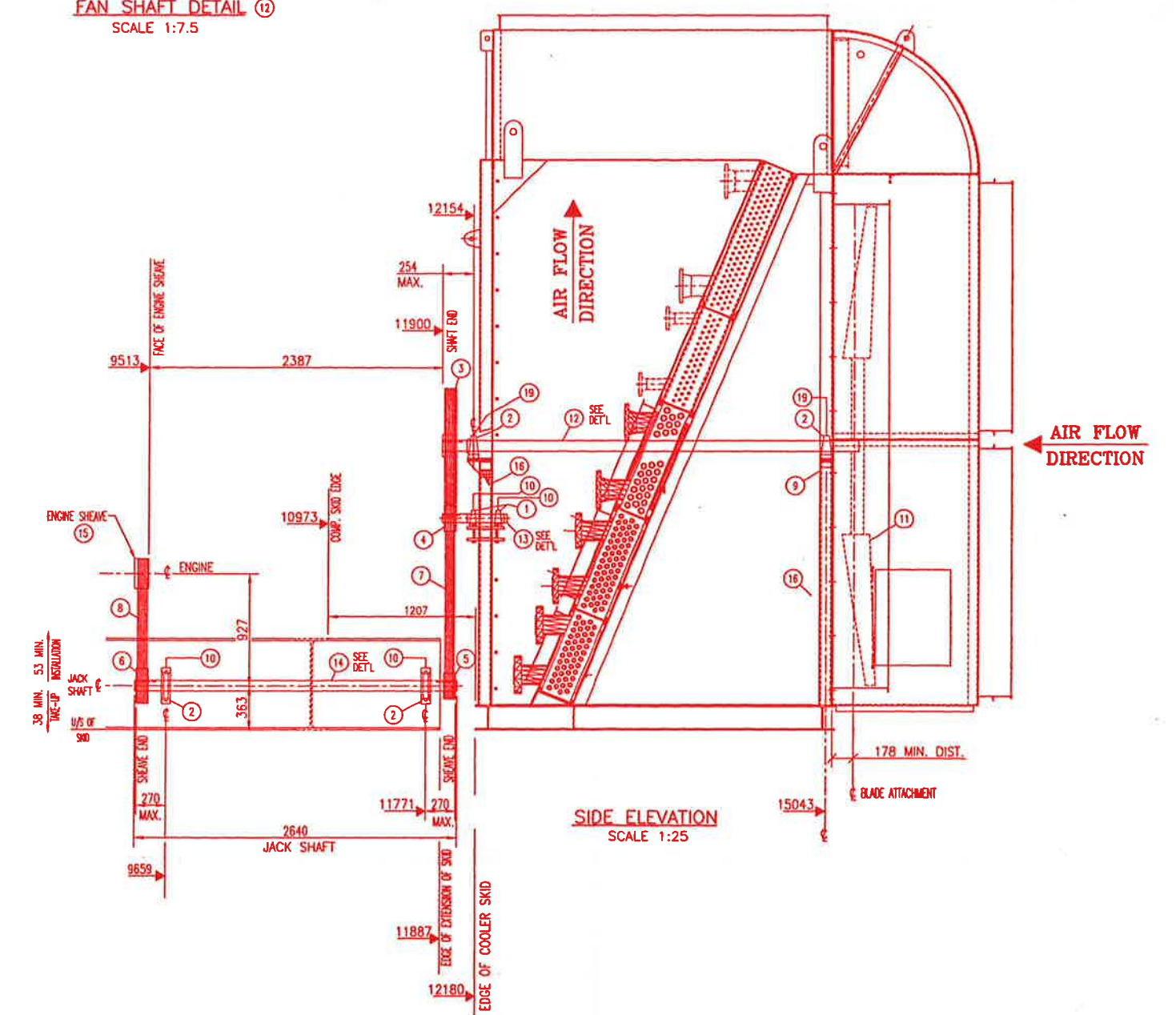
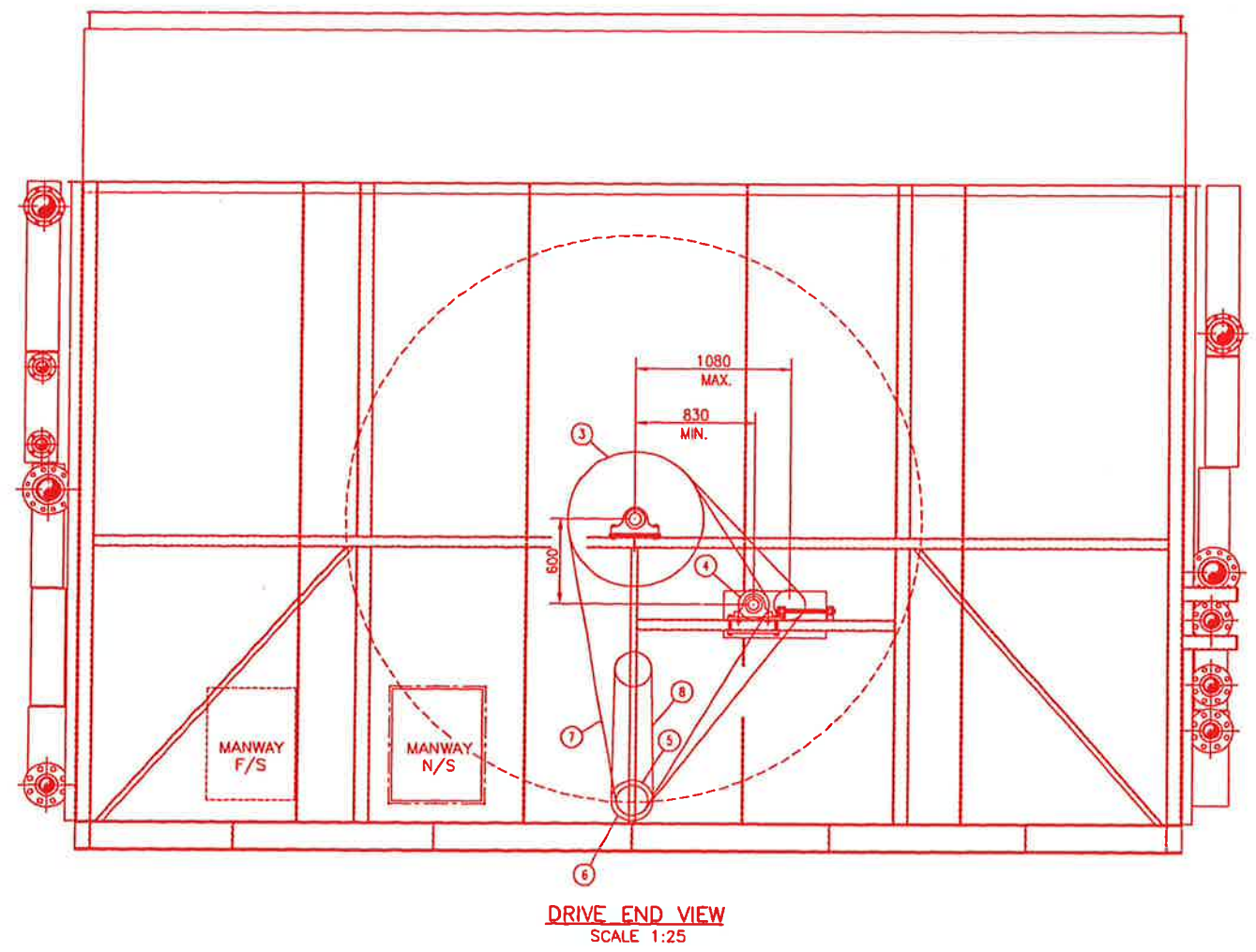
**PROPAC**  
 440 East Lake Road,  
 Postal Bag #2  
 Airdrie, Alberta  
 Canada T4B 2C3

THE DESIGN IT COVERS ARE CONFIDENTIAL AND THE PROPERTY OF PROPAC SYSTEMS LTD., AND SHALL NOT BE DISCLOSED TO OTHERS OR REPRODUCED IN ANY MANNER OR USED FOR ANY PURPOSE WHATSOEVER EXCEPT BY WRITTEN CONSENT OF PROPAC.



BILL OF MATERIAL		
ITEM	QUA	DESCRIPTION
1	2	BEARING: 2 11/16" SERIES 215 IRON PILLOW BLOCK, SCM MEDIUM DUTY, PART #126820 DODGE
2	4	BEARING: 3 7/16" SERIES 218 IRON PILLOW BLOCK, SCM MEDIUM DUTY, PART #126823 DODGE
3	1	FAN SHWT SHEAVE: 5V GROOVE PROFILE, 5V-5-85-A1 c/w "E" TYPE BUSHING 3 7/16" (87.31mm) BORE STD. KEYWAY GATES
4	1	IDLER SHWT SHEAVE: 5V GROOVE PROFILE, 5V-5-85-A1 c/w "E" TYPE BUSHING 2 11/16" (82.6mm) BORE SHALLOW KEYWAY GATES
5	1	JACK SHWT SHEAVE (COOLER END): 5V GROOVE PROFILE, 5V-5-85-A1 c/w "E" TYPE BUSHING 3 7/16" (87.31mm) BORE SHALLOW KEYWAY GATES
6	1	JACK SHWT SHEAVE (ENGINE END): 5V GROOVE PROFILE, 5V-5-113-A1 c/w "E" TYPE BUSHING 3 7/16" (87.31mm) BORE SHALLOW KEYWAY GATES
7	1	V-BELTS: 5V-2500 (1) SET OF (5) MATCHED BANDED BELTS GATES
8	1	V-BELTS: 5V-1060 (1) SET OF (5) MATCHED BANDED BELTS GATES
9	1	VIBRATION SWITCH: VS2-EX, 24 VDC, CSA APPROVED, XP, CONTACTS OPEN ON HI MURPHY
10	4	GREASE HOSE: 10.2 (1/8") NPT x 457 (18") LG, 3500 psi WORKING PRESSURE INDA QWDM CSH OR EQUIV
11	1	1.3 FT. (3962) MOORE FAN, CLASS 5000-SERIES 60 ED c/w (11) BLADES, 12" (305mm) HUB O/D, DD BUSHING TYPE "J" 3 7/16" (87.31) BORE c/w 7/8" (22.22) STD. KEYWAY, 12.1° CLEVIS ANGLE, LEFT HAND BLADES WITH VI TIPS
12	1	ROUND BAR: 87.31# x 3440 LG. (SEE DETAIL, KEYWAYS REQUIRED MACHINING) C1045-TC&P
13	1	ROUND BAR: 68.26# x 533 LG. (SEE DETAIL, KEYWAYS REQUIRED MACHINING) C1045-TC&P
14	1	ROUND BAR: 87.31# x 2640 LG. (SEE DETAIL, KEYWAYS REQUIRED MACHINING) C1045-TC&P
15	1	ENGINE SHEAVE: (6) 9.6" (244mm) PITCH DIA., "5V" SECT. GROOVES, 0.69" (18mm) GROOVE SPACING (REF.)
16	4	SWAGelok TUBE FITTING: BULK HEAD FEMALE CONNECTION, PART# 400-71-2
17	1	RECTANGULAR KEY: 15.88 x 11.11 x 140 LG. C1045-TC&P
18	2	RECTANGULAR KEY: 22.23 x 15.88 x 140 LG. C1045-TC&P
19	2	SWAGelok TUBE FITTING: ELBOW FOR FAN BEARING (MALE CONNECTION), PART# 400-2-2

\* - PURCHASED BY ENGINEERING



1. WEIGHT OF ASSEMBLY ITEMS: 625 KG.

2. DATUM FOR ALL TAILED DIMENSIONS IS PER DWG D-SKD-99404-114A (SHT. 1)

**GENERAL NOTES**

DATE: 2000.10.06 3:41pm FILE NAME: J:\jobs99\DWG\99420\Clr - client changes\LYT-99420-238-02.dwg

No.	REVISION	BY	DATE	CKD	ENG
2	ADDED DUCTING/ REPLACED BUNDLES AC-210/211/212	UBRAGINSKY	00/10/06	DP	BJ
1	ISSUED FOR CONSTRUCTION	D. PARTBLE	00/02/17	TE	FOR JD TK

APPROVED	DRAWN
MECH/STRUCT. S. ISAACS	BY I. BRAGINSKY
DATE 00/05/17	DATE 00/05/16
ELECTRICAL	CHECKED
DATE	BY J. DELORME
PROJECT P. CRAWFORD	DATE 00/05/17
DATE 00/05/17	SCALE AS NOTED

**APACHE CANADA LTD.**

1478 HP HAMBURG COMPRESSOR PACKAGE  
AERIAL COOLER LAYOUT (DRIVE ASSEMBLY)  
MDL: 1-SV-1-156-312-F

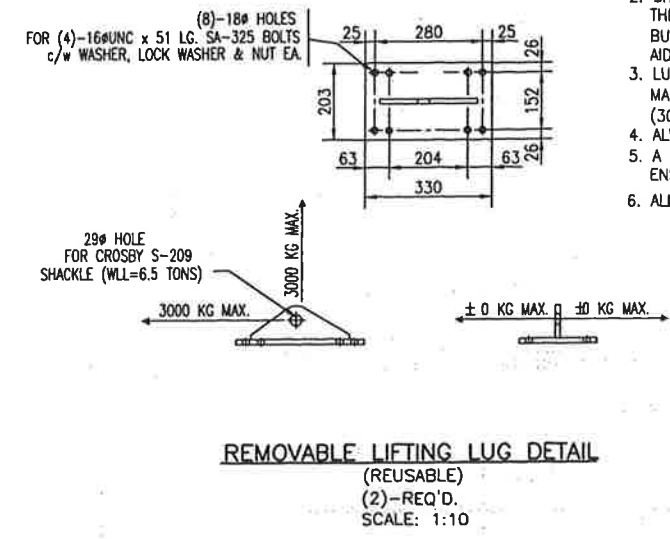
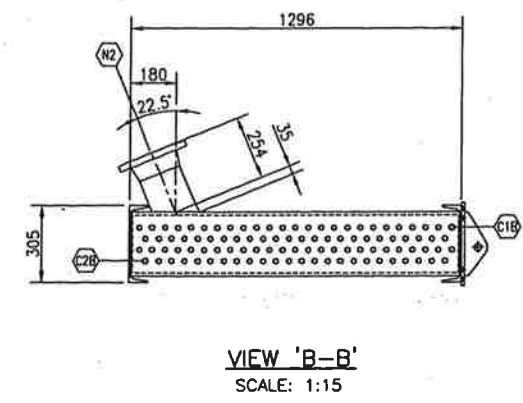
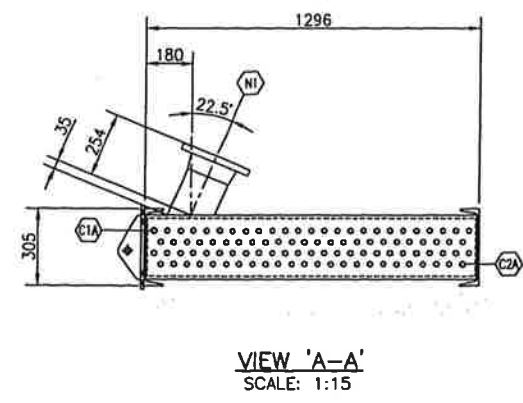
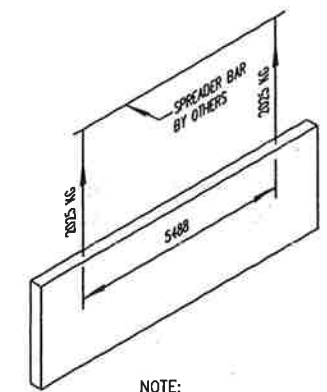
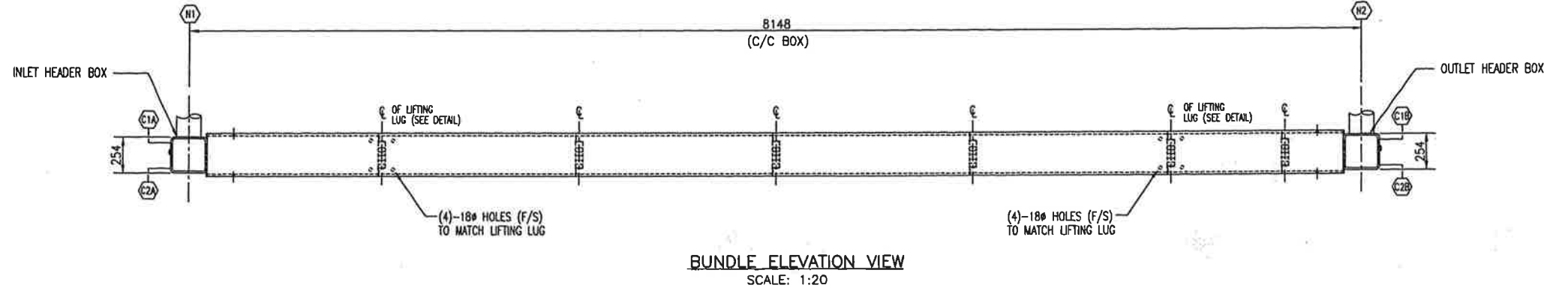
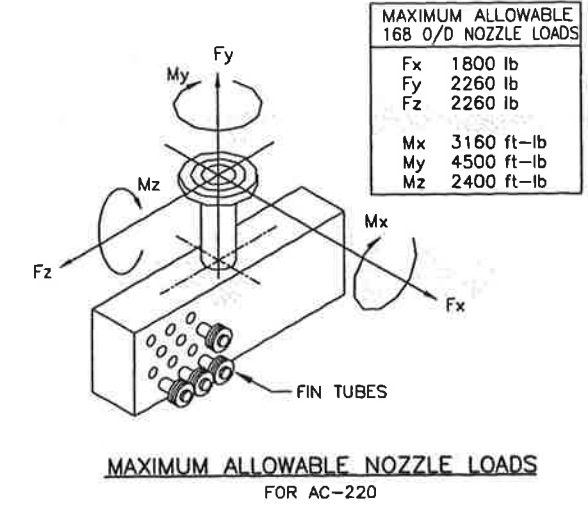
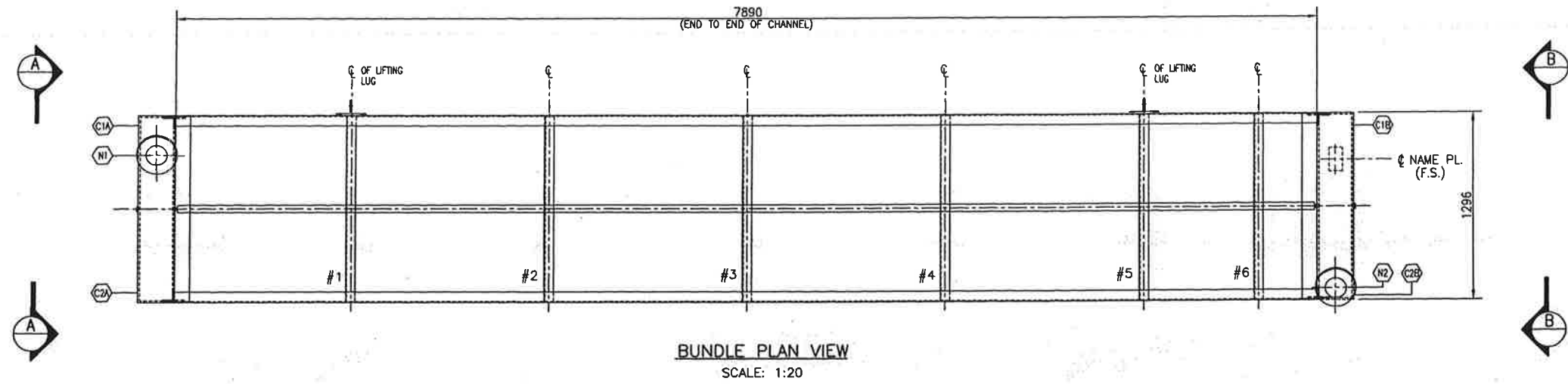
DWG. No.: D-LYT-99420-238 SHEET 2 OF 2 REV. 2

**PROPAK**

440 East Lake Road,  
Postal Bag #2  
Airdrie, Alberta  
Canada T4B 2C3

THIS DRAWING AND THE DESIGN IT COVERS ARE CONFIDENTIAL AND THE PROPERTY OF PROPAC SYSTEMS LTD., AND SHALL NOT BE DISCLOSED TO OTHERS OR REPRODUCED IN ANY MANNER OR USED FOR ANY PURPOSE WHATSOEVER EXCEPT BY WRITTEN CONSENT OF PROPAC.

NOZZLE SCHEDULE						
MK	SIZE	RATING	FACING	SCH	SERVICE	EXT. PROJ WELD
N1	16B	150	RFWN	80	EJW INLET (AC-220)	254
N2	16B	150	RFWN	80	EJW OUTLET (AC-220)	254
A/B	C1	22	SHDR PLUG	14 UNF	VENT	-
A/B	C2	22	SHDR PLUG	14 UNF	DRAIN	-



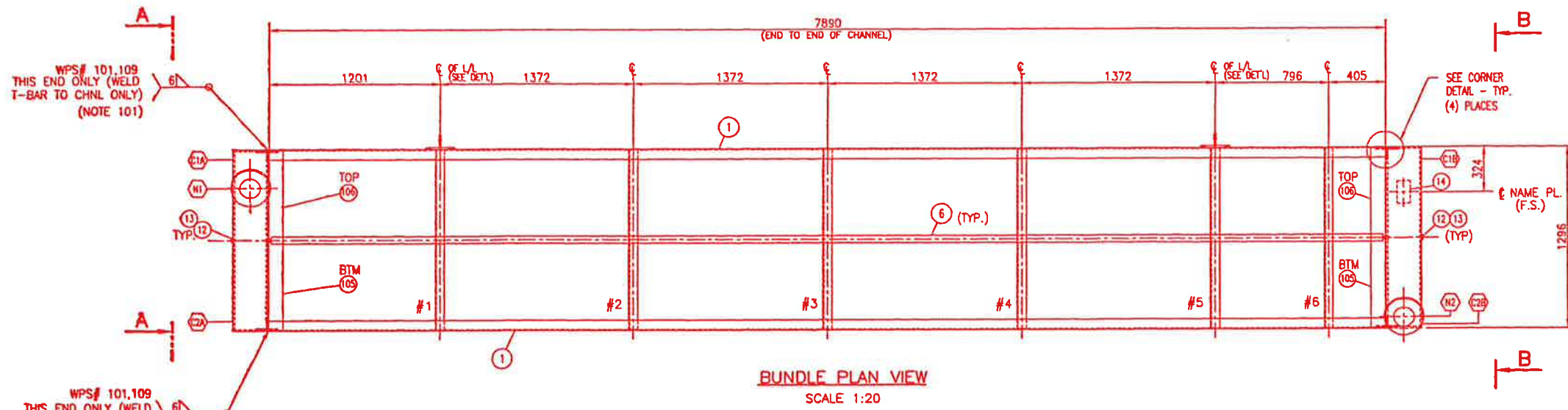
- NOTES:**
- HOLES SPACED 204 APART ARE FOR 305 DEEP SIDE CHANNEL. HOLES 280 APART ARE FOR 381 SIDE CHANNEL.
  - SHACKLE HOLE IS DESIGNED SO THAT THE BOTTOM OF THE SUSPENDED BUNDLE WILL "KICK OUT" SLIGHTLY TO AID IN PLACEMENT.
  - LUG SHOULD BE PERMANENTLY MARKED "2000 KG CAPACITY, (3000 KG DYNAMIC LOADING)".
  - ALWAYS USE 2 LUGS FOR LIFTING.
  - A SPREADER BAR IS REQ'D. TO ENSURE STRAIGHT UP LIFT.
  - ALL MATERIALS SA-36.

CAPACITY:	0.285 m <sup>3</sup>	SERIAL NO:	99420-235 CRN:
SURFACE AREA OF TUBES INCLUDING FIN:	1114.34 m <sup>2</sup>	YEAR BUILT:	2000
WEIGHT EMPTY:	2700 kg	LSD NO.:	-
WEIGHT FULL OF WATER:	2985 kg	CODE:	NON-CODE
SURFACE PREPARATION:		MAX. DES. PRES.:	97 kPag
PRIMER:	PNT 11	DESIGN TEMP:	149 °C
FINISH PAINT:		CORR. ALLOW:	0 mm
INSULATION:	NONE	HYDROTEST:	518 kPag
PRODUCTION IMPACT TEST REQ'D:	NO	MDMT:	-28 °C
MECH LOADINGS GOVERN PER UG 22:	NO		97 kPag
IMPACT TEST:	NO	MATERIAL: HDR BOXES:	G40.21M-350(A-500C)/SA-516-70
SHIP LOOSE:	NO	TUBES: (WELDED)	SA-214ERW
SERVICE:	60% EG/H2O	RADIOGRAPHY:	N/A
		P.W.H.T.:	NO
		MINIMUM TEMP:	°C
		FOR TIME:	Hr
		TAG NO:	AC-220

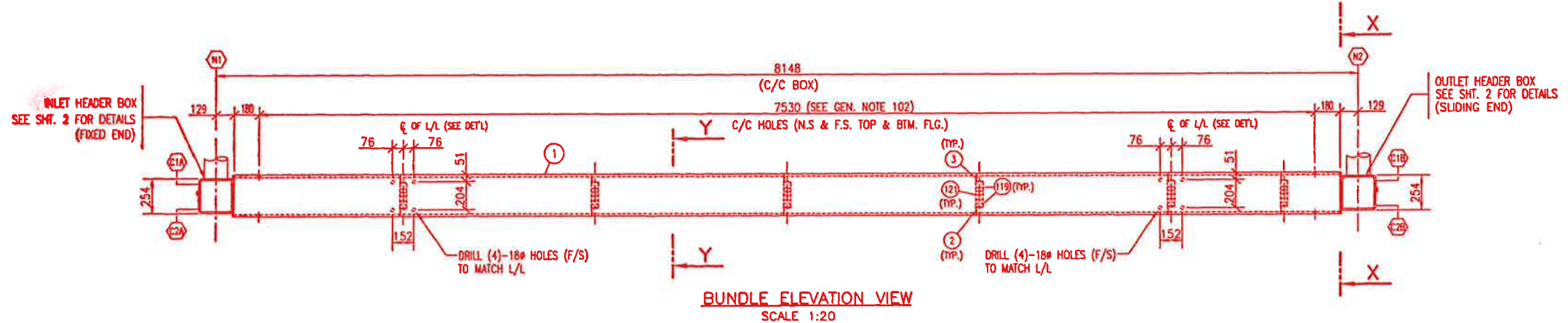
APPROVED		DRAWN		APACHE CANADA LIMITED		440 East Lake Road, Postal Bag #2 Airdrie, Alberta Canada T4B 2C3	
MECH/STRUCT.	BY	DATE	DATE	1478 HP HAMBURG COMPRESSOR PACKAGE		ENGINE JACKET WATER	
ELECTRICAL	BY	DATE	DATE	AC-220		DWG. No.: D-BDL-99420-235-SKT SHT. 1 OF 1 REV. SKT	
PROJECT	BY	DATE	DATE	SCALE	AS NOTED		
DATE	BY	DATE	CKD	ENG			

GENERAL NOTES	GENERAL NOTES	SKT	ISSUED FOR DOCUMENTATION	J. JUA	00/09/13	WK	SW
DATE: 2000.09.26 8:35am	FILE NAME: J:\Jobs99\DWG\99420\Comp\Misc\BDL-99420-235-SKT-01.dwg	No.	REVISION	BY	DATE	CKD	ENG

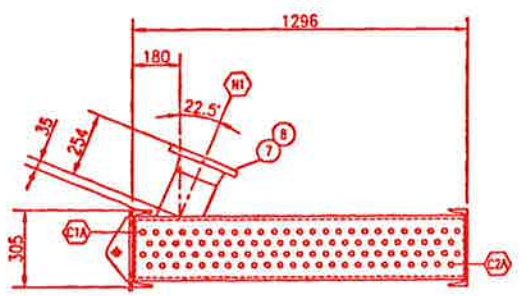
THIS DRAWING AND THE PROPERTY OF PROPAC SYSTEMS LTD. AND SHALL NOT BE DISCLOSED TO OTHERS OR REPRODUCED IN ANY MANNER OR USED FOR ANY PURPOSE WHATSOEVER EXCEPT BY WRITTEN CONSENT OF PROPAC.



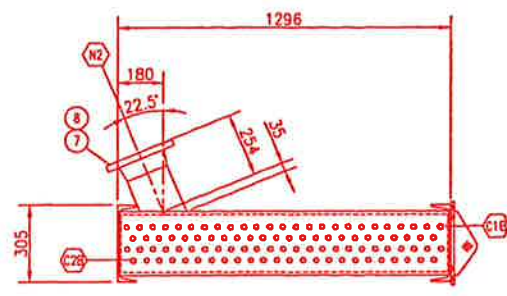
**BUNDLE PLAN VIEW**  
SCALE 1:20



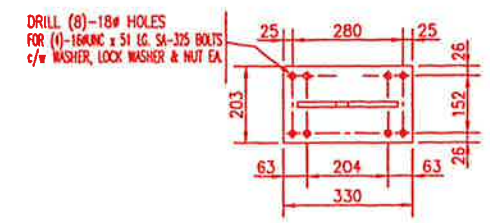
**BUNDLE ELEVATION VIEW**  
SCALE 1:20



**VIEW 'A-A'**  
SCALE 1:15

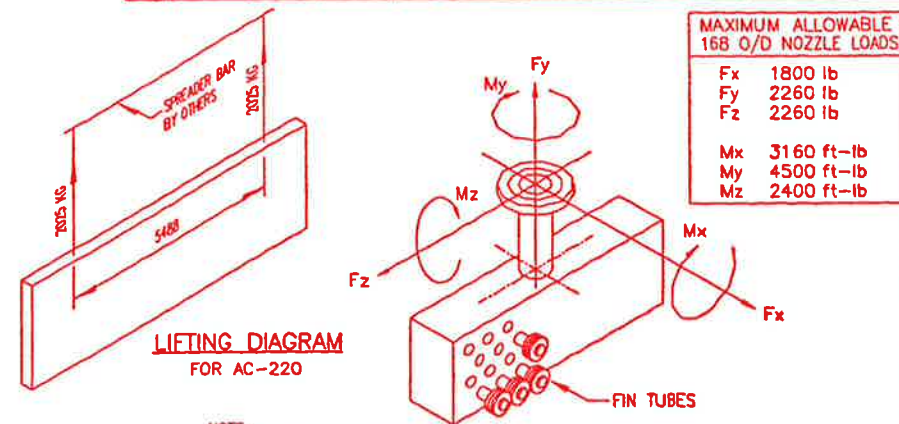


**VIEW 'B-B'**  
SCALE 1:15



**REMOVABLE LIFTING LUG DETAIL**  
(REUSABLE)  
(2)-REQ'D.  
SCALE 1:10

NOZZLE SCHEDULE						
MK	SIZE	RATING	FACING	SCH	SERVICE	EXT. PROJ. WELD
N1	168	150#	RFWN	80	E/W INLET (AC-220)	254 2/3
N2	168	150#	RFWN	80	E/W OUTLET (AC-220)	254 2/3
A/B	C1	22	SLDR PLUG	14 UNF	VENT	-
A/B	C2	22	SLDR PLUG	14 UNF	DRAIN	-

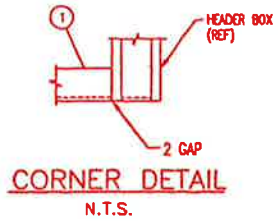


NOTE:  
WEIGHTS SHOWN IN DIAGRAM INCLUDE 50% EXCESS FOR DYNAMIC LOADING  
LIFTING DIAGRAM WEIGHT w/o IMPACT LOAD: 2700 KG.

BILL OF MATERIAL		
ITEM	QUA	DESCRIPTION
1	2	SIDE CHANNELS: C310 @ 31 kg/m x 7890 LG
2	6	BTM. TUBE SUP'T: L 64 x 64 x 6 THK x 1282 LG
3	6	TOP TUBE SUP'T: L 51 x 51 x 6 THK x 1270 LG
4		
5		
6	98	TUBES (WELDED): 19# x 16 B.W.G. WT x 7925 LG c/w L-TENSION ALUMINUM FINS SA-214 ERW 0.4 THK x 16 HIGH @ 394 FINS/m. & 35mm STRIP BACK EACH END
7	2	PIPE: (SMLS) 168 O/D x 10.97 WT x 225 LG (C.T.S.)
8	2	FLG: 168 - 150# RFWN SCH 80 BORE
9		
10		
11		
12	196	GASKET: 29 (1 1/8" O/D x 22 (7/8") I/D x 1.59 (1/16") THK (MAX BHN 110)
13	196	HEX STEEL SHOULDER PLUG: 22 (7/8") - (14 UNF) x 19 (3/4") LG
14	1	NAME PLATE c/w MOUNTING BRACKET
15		
16		
17		
18		

NOTE: THE FOLLOWING SUBSTITUTIONS ARE PERMITTED (THE OPPOSITE NOT ALLOWED) SA-350-LF2 FOR SA-105, SA-333-Gr6 FOR SA-106-B, SA-420-WPL6 FOR SA-234-WPB	
CAPACITY:	0.285 m <sup>3</sup>
SURFACE AREA OF TUBES INCLUDING FINNS:	1114.34m <sup>2</sup>
WEIGHT EMPTY: (SEE NOTE 103)	2700 kg
WEIGHT FULL OF WATER:	2985 kg
SURFACE PREPARATION:	
PRIMER:	PNT 11
FINISH PAINT:	
INSULATION:	NONE
PRODUCTION IMPACT TEST REQ'D:	NO
MECH LOADINGS GOVERN PER UG 22:	NO
IMPACT TEST:	NO
SHIP LOOSE:	NO
SERVICE:	60% EG/H2O
QWP:	590.2
QCP:	AQP-1050(S) : AQP-1227(S)
TACK, PRES/STRUCT WELDS	101, 109
STRUCT TO STRUCT WELDS	101, 109
SERIAL NO:	99420-235 CRN:
YEAR BUILT:	2000
LSD NO.:	
CODE:	NON-CODE
MAX. DES. PRES.:	97 kPag
DESIGN TEMP:	149 °C
CORR. ALLOW:	0 mm
HYDROTEST:	518 kPag
MDMT:	-28 °C
	97 kPag
MATERIAL: HDR BOXES:	G40.21M-350(A-500C)/SA-516-70
TUBES:	(WELDED) SA-214ERW
RADIOGRAPHY:	N/A
P.W.H.T.:	
MINIMUM TEMP. FOR TIME:	NO °C
TAG NO:	AC-220

SADDLED COUPLING	NOZZLE ABUTTED	PIPE TO FLANGE/FITTING
1. WPS# 101, 107, 109	2. WPS# 101, 107, 109	3. WPS# 103, 105, 109



101. THE INLET HEADER BOX CAN BE WELDED TO THE CHANNEL ASSEMBLY BY WELDING THE SLIDE T-BAR (NOT THE HEADER BOX ITSELF) TO THE SIDE CHANNELS. DO NOT WELD THE OUTLET HEADER BOX, IT SHOULD BE FREE TO SLIDE.  
102. ALL BOLT HOLES FOR ATTACHING THE BUNDLE TO THE COOLER STRUCTURE SHOULD BE DRILLED ON ASSEMBLY.  
103. WEIGHT ACCOUNTS FOR POSSIBLE CHANGE TO 14 B.W.G. TUBES.  
104. REMOVE ALL SHARP EDGES & BURRS.  
105. COPIED FROM JOB #99404

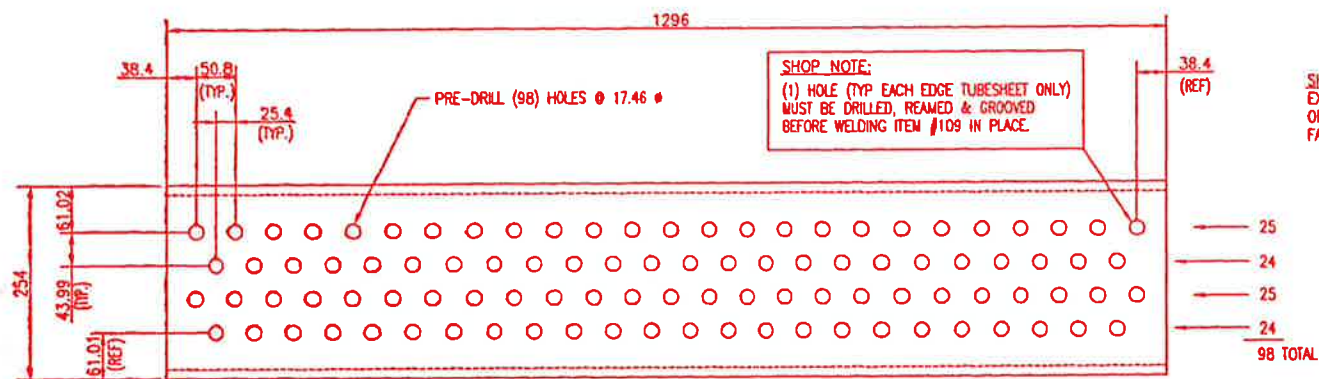
GENERAL NOTES		GENERAL NOTES	
1	ISSUED FOR CONSTRUCTION	G. CHIN	00/05/24
No.	REVISION	BY	DATE
		CKD	ENG

APPROVED		DRAWN	
MECH/STRUCT. S. ISAACS	BY	G. CHIN	DATE
DATE	00/05/11	DATE	00/05/02
ELECTRICAL	CHECKED	BY	I. LEE
DATE		DATE	00/05/11
PROJECT	P. CRAWFORD	SCALE	AS NOTED
DATE	00/05/24		

PROPAC SYSTEMS LTD.	
STOCK 1380 HP COMPRESSOR, M/N W 1380, 6HOS-3 ENGINE JACKET WATER AC-220	
DWG. No.:	D-BDL-99420-235
SHT. 1 OF 2	REV. 1

**PROPAC**  
440 East Lake Road,  
Postal Bag #2  
Airdrie, Alberta  
Canada T4B 2C3

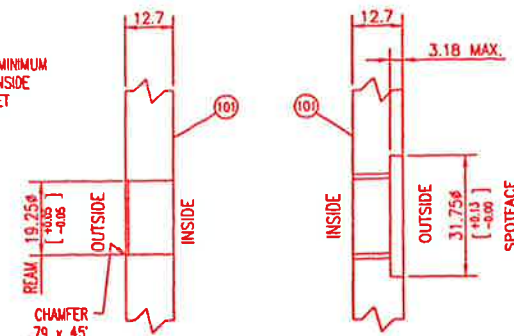
THIS DRAWING AND THE PROPERTY OF PROPAC SYSTEMS LTD. AND SHALL NOT BE REPRODUCED OR TRANSMITTED IN ANY FORM OR BY ANY MEANS, ELECTRONIC OR MECHANICAL, WITHOUT PERMISSION IN WRITING FROM PROPAC SYSTEMS LTD.



TUBESHEET/PLUGSHEET LAYOUT

SCALE 1:5  
 (10) (2)-HSS REQ'D

SHOP NOTE:  
 EXPAND TUBES A MINIMUM OF 10mm FROM INSIDE FACE OF TUBESHEET



TUBESHEET HOLES

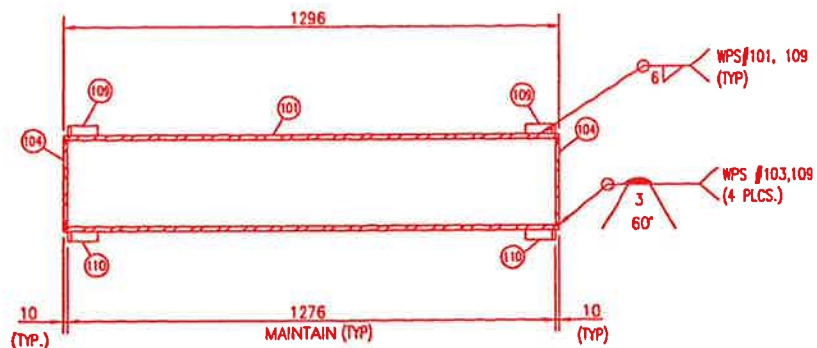
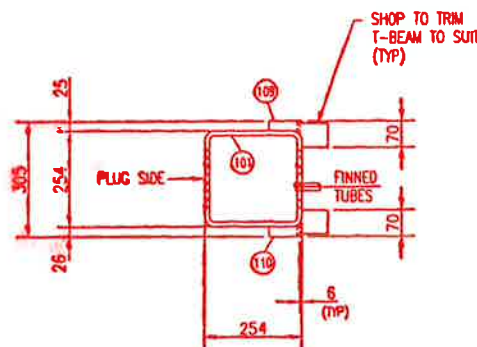
SCALE 1:1

PLUGSHEET HOLES

SCALE 1:1

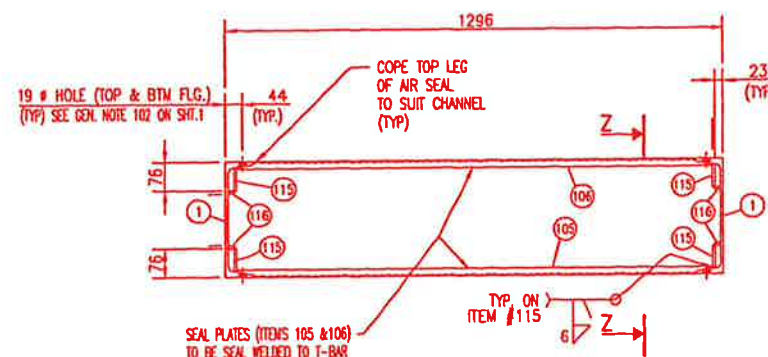
NOTE: CORE DRILL 20.27 (0.798") (TAP 7/8" - 14 UNEF 28)  
 RECOMMENDED INSTALLATION TORQUE ON EACH HEX HEAD SHOULDER PLUG 90 FT-LB.  
 \*KOPR-KOTE ANTI-SEIZE COMPOUND TO BE USED AS A THREAD LUBRICANT.\*

BILL OF MATERIAL				
ITEM	QTY	DESCRIPTION		
EX-STOCK-P	101	2	HSS: 12.7 THK. x 254 x 1296 LG.	G40.21M-350W(A-500C)
	102			
	103			
STOCK	104	4	PLATE: 9.53 THK. x 223 SQ. (C.T.S.)	SA-516-70
STOCK	105	2	BTM. AIR SEAL: PRE-FORMED ANGLE 3 THK x 25 x 114 x 1246 LG.	SA-36
	106	2	TOP AIR SEAL: PRE-FORMED ANGLE 3 THK x 25 x 114 x 1246 LG.	SA-36
	107			
	108			
	109	4	WT 75 x 15 kg/m x 70 LG.	SA-36
	110	4	WT 75 x 15 kg/m x 70 LG.	SA-36
	111			
	112			
	113			
	114			
	115	4	FLATBAR: 6 THK. x 25 x 61 LG.	G40.21M-300W
	116	4	FLATBAR: 6 THK. x 25 x 16 LG.	G40.21M-300W
	117	24	M/C BOLTS: 13 # UNC x 38 LG. c/w WASHER, LOCK WASHER & NUT EA. (ZINC COATED)	SA-325
	118			
	119	12	FLAT BAR: 3 THK. x 51 x 300 LG. (F. & C.T.S.)	G40.21M-300W
	120			
	121	24	ALUMINUM STRIP: 24 BWG x 38 x 2050 LG. (C.T.S.)	ALUMINUM
	122			
	123	12	FLAT BAR: 6 THK x 89 x 44 LG.	G40.21M-300W
	124			



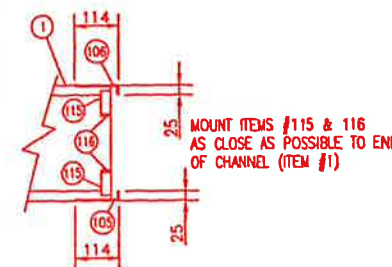
INLET HEADER BOX DETAIL

SCALE 1:10



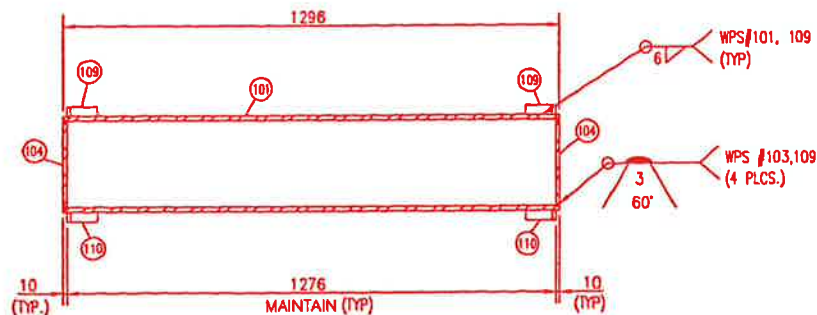
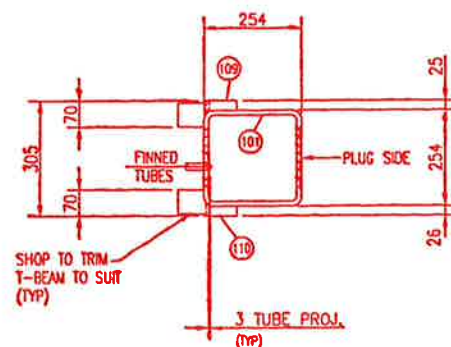
VIEW 'X'-'X'

SCALE 1:10



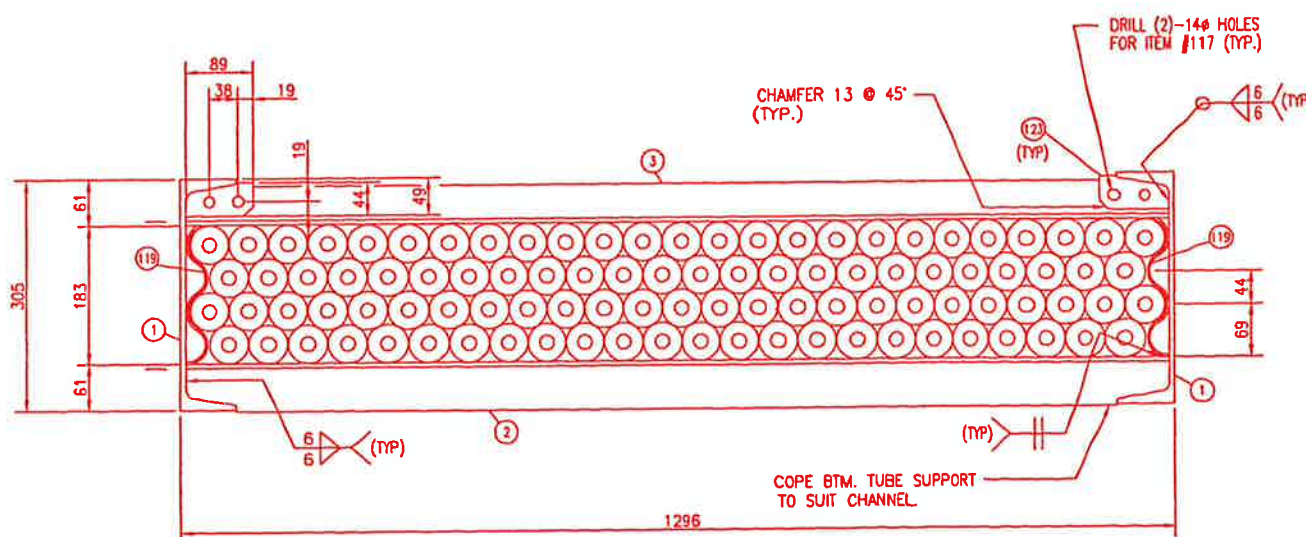
SECTION 'Z-Z'

SCALE 1:10



OUTLET HEADER BOX DETAIL

SCALE 1:10



SECTION 'Y'-'Y'

SCALE 1:5

ALUMINUM WRAP AT SUPPORTS #1,3,&5

SCALE 1:10

ALUMINUM WRAP AT SUPPORT #2,4&6

SCALE 1:10

SEE SHT. 1 FOR GENERAL NOTES

DATE: 2000.05.24 2:39pm FILE NAME: J:\jobs99\DWG\99420\Cir\BDL-99420-235-02.dwg

GENERAL NOTES

1 ISSUED FOR CONSTRUCTION

REVISION

BY G. CHIN DATE 00/05/24 CKD J.D. ENG P.C.

APPROVED MECH./STRUCT. S. ISAACS BY G. CHIN DATE 00/05/11  
 ELECTRICAL CHECKED BY I. LEE DATE 00/05/11  
 PROJECT P. CRAWFORD DATE 00/05/24  
 SCALE AS NOTED

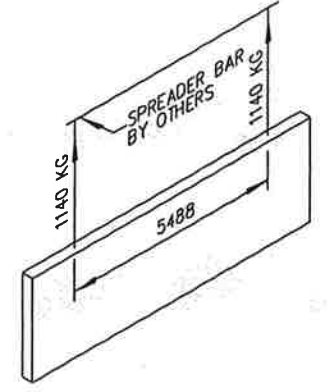
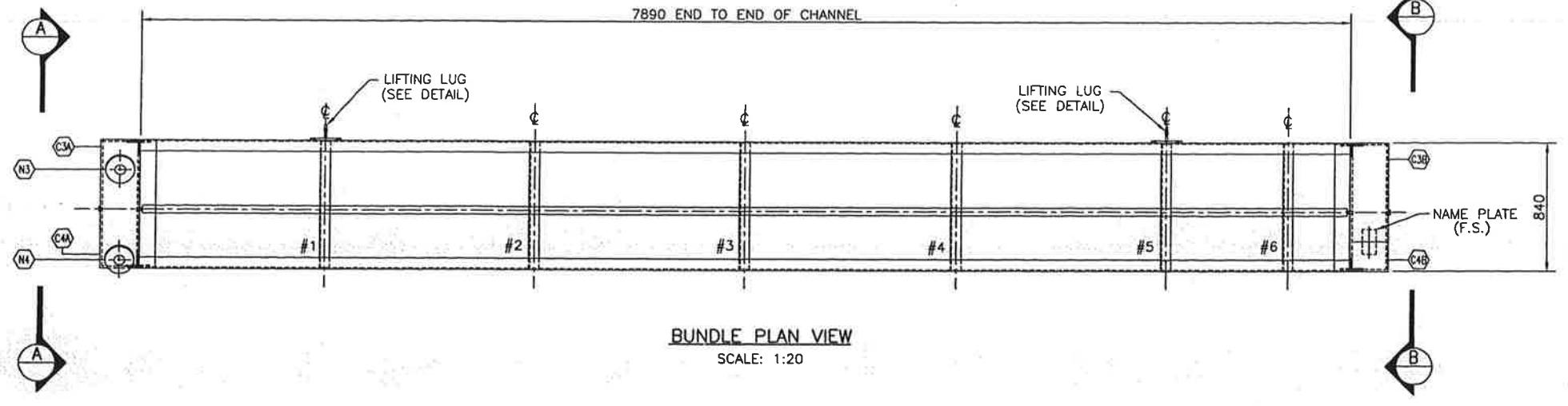
PROPAC SYSTEMS LTD.  
 STOCK 1380 HP COMPRESSOR, M/N W 1380, 6HOS-3  
 ENGINE JACKET WATER  
 AC-220  
 DWG. No.: D-BDL-99420-235 SHT. 2 OF 2 REV. 1

PROPAC  
 440 East Lake Road,  
 Postal Bag #2  
 Airdrie, Alberta  
 Canada T4B 2C3

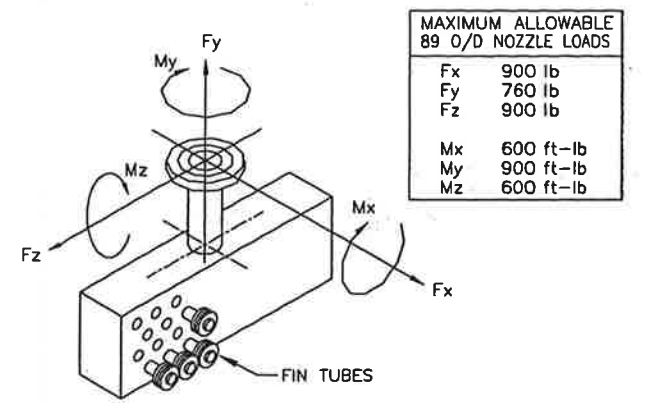
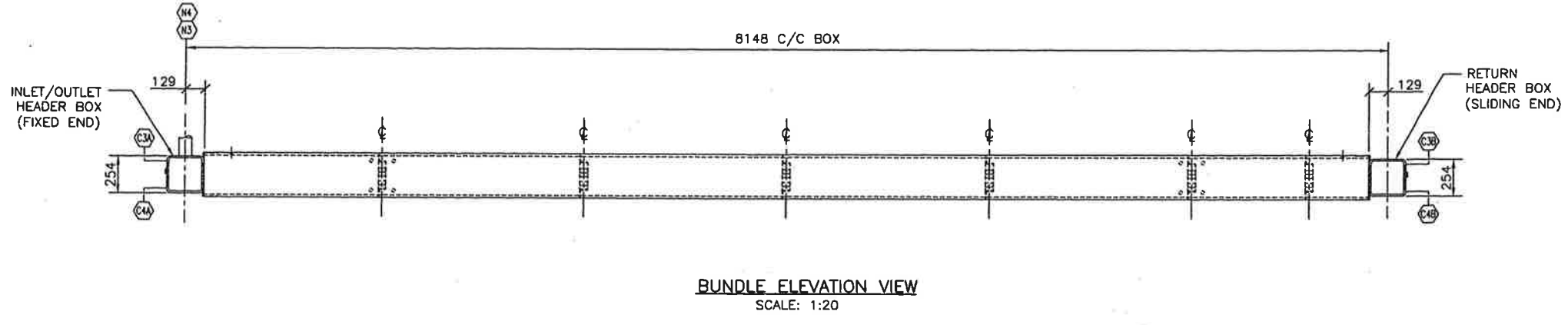


OF PROPAC  
 TO OTHERS OR REPRODUCED IN ANY MANNER OR USED FOR ANY PURPOSE WHATSOEVER EXCEPT BY WRITTEN CONSENT  
 THE DESIGN IT COVERS ARE CONFIDENTIAL AND THE PROPERTY OF PROPAC SYSTEMS LTD. AND SHALL NOT BE DISCLOSED  
 THIS DRAWING AND

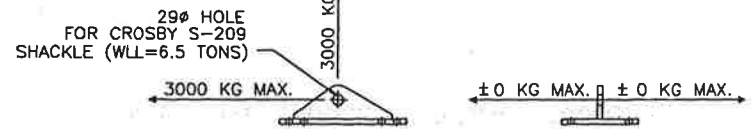
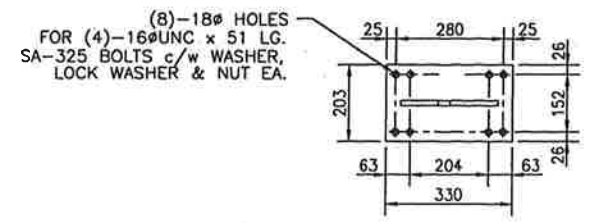
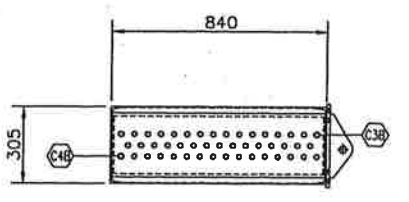
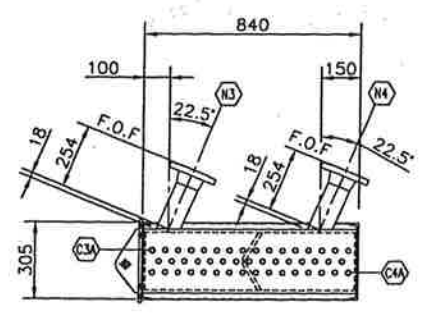
NOZZLE SCHEDULE						
MK	SIZE	RATING	FACING	SCH	SERVICE	EXT. PROJ. WELD
N3	89	150#	RFWN	160	AJW INLET (AC-230)	254
N4	89	150#	RFWN	160	AJW OUTLET (AC-230)	254
A/B	C3	22	SHDR. PLUG	14 UNF	VENT	-
A/B	C4	22	SHDR. PLUG	14 UNF	DRAIN	-



NOTE:  
WEIGHTS SHOWN IN DIAGRAM INCLUDE 50% EXCESS FOR DYNAMIC LOADING  
LIFTING DIAGRAM WEIGHT w/o IMPACT LOAD: 1520 KG.



**MAXIMUM ALLOWABLE NOZZLE LOADS**  
FOR AC-230



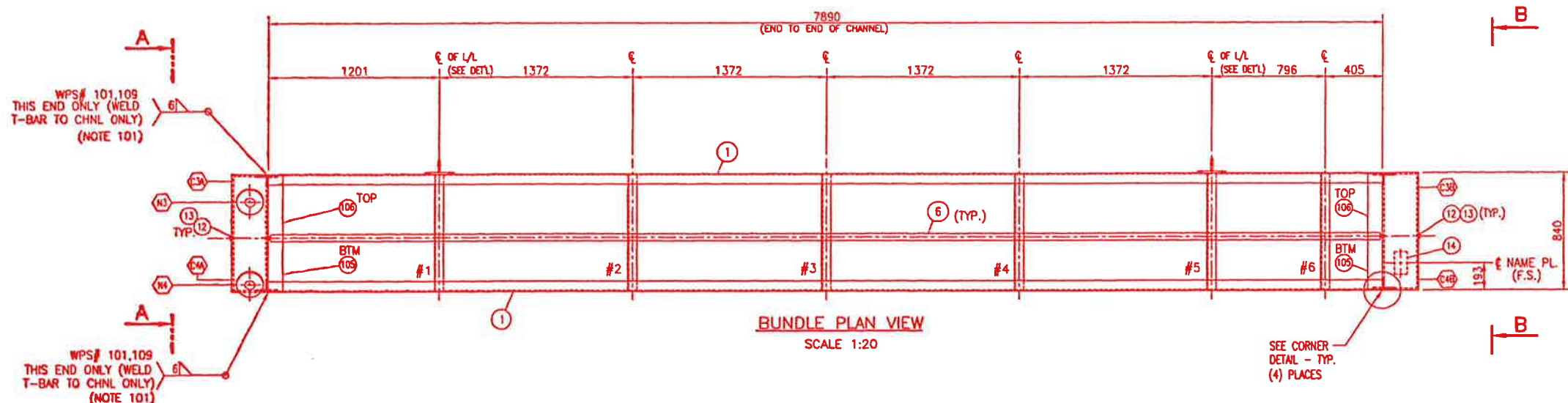
- NOTES:**
- Holes spaced 204 apart are for 305 deep side channel. Holes 280 apart are for 381 side channel.
  - SHACKLE HOLE IS DESIGNED SO THAT THE BOTTOM OF THE SUSPENDED BUNDLE WILL "KICK OUT" SLIGHTLY TO AID IN PLACEMENT.
  - LUG SHOULD BE PERMANENTLY MARKED "2000 KG CAPACITY. (3000 KG DYNAMIC LOADING)".
  - ALWAYS USE 2 LUGS FOR LIFTING.
  - A SPREADER BAR IS REQ'D. TO ENSURE STRAIGHT UP LIFT.
  - ALL MATERIALS SA-36.

CAPACITY:	0.156 m <sup>3</sup>	SERIAL NO:	99420-234 CRN:
SURFACE AREA OF TUBES INCLUDING FINNS:	534.43 m <sup>2</sup>	YEAR BUILT:	2000
WEIGHT EMPTY:	1520 kg	LSD NO.:	-
WEIGHT FULL OF WATER:	1676 kg	CODE:	NON-CODE
SURFACE PREPARATION:		MAX. DES. PRES.:	97 kPag
PRIMER:	PNT 11	DESIGN TEMP.:	149 °C
FINISH PAINT:		CORR. ALLOW.:	0 mm
INSULATION:	NONE	HYDROTEST:	518 kPag
PRODUCTION IMPACT TEST REQ'D:	NO	MDMT:	-28 °C
MECH LOADINGS GOVERN PER UG 22:	NO		97 kPag
IMPACT TEST:	NO	MATERIAL: HDR BOXES:	G40.21M-350(A-500C)/SA-516/70
SHIP LOOSE:	NO	TUBES:	SA-214ERW
SERVICE:	60% EG/H2O	RADIOGRAPHY:	N/A
		P.W.H.T.:	NO
		MINIMUM TEMP.:	°C
		FOR TIME:	Hr

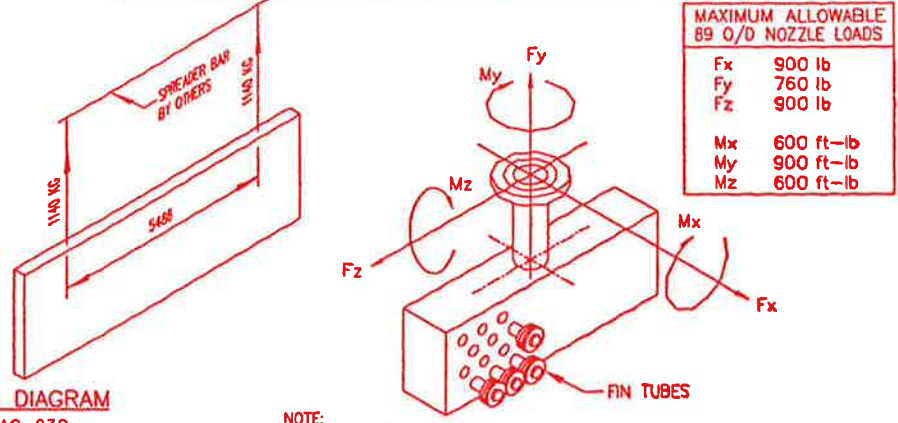
TAG NO: AC-230

GENERAL NOTES		GENERAL NOTES		ISSUED FOR DOCUMENTATION		APPROVED		DRAWN		APACHE CANADA LIMITED		PROPAC	
DATE: 2000.09.26 8:34am	FILE NAME: J:\jobs99\DWG\99420\Comp\Misc\BDL-99420-234-SKT-01.dwg	SKT	ISSUED FOR DOCUMENTATION	H. LE	00/09/15	WK	SW	MECH/STRUCT.	BY	DATE	1478 HP HAMBURG COMPRESSOR PACKAGE	440 East Lake Road,	
		No.	REVISION	BY	DATE	CKD	ENG	DATE	DATE	CHECKED	AUX. JACKET WATER	Postal Bag #2	
								PROJECT	DATE		AC-230	Airdrie, Alberta	
								DATE	SCALE	AS NOTED	DWG. No.: D-BDL-99420-234-SKT	Canada T4B 2C3	
											SHT. 1 OF 1		

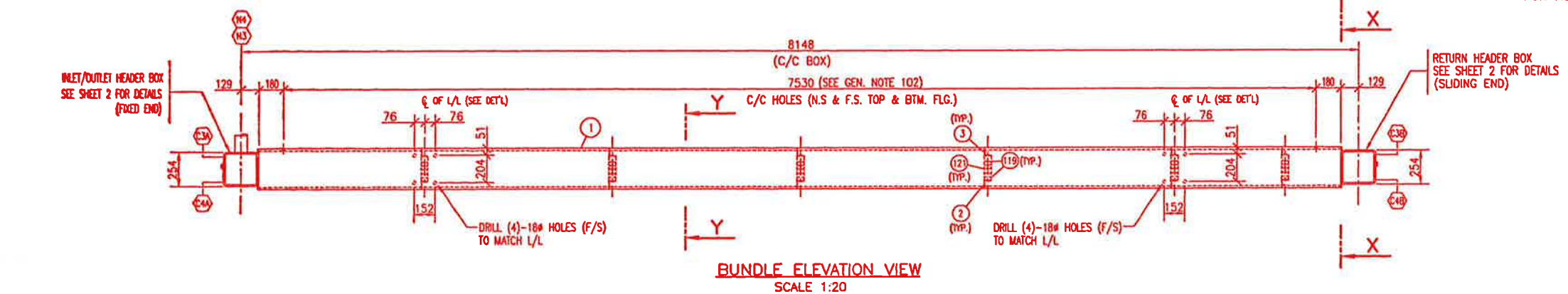
THE DESIGN IS CONFIDENTIAL AND THE PROPERTY OF PROPAK SYSTEMS LTD. AND SHALL NOT BE DISCLOSED TO OTHERS OR REPRODUCED IN ANY MANNER OR USED FOR ANY PURPOSE WHATSOEVER EXCEPT BY WRITTEN CONSENT OF PROPAK.



NOZZLE SCHEDULE						
MK	SIZE	RATING	FACING	SCH	SERVICE	EXT. PROJ. WELD
N3	89	150#	RFWN	160	AJW INLET (AC-230)	254 2/3
N4	89	150#	RFWN	160	AJW OUTLET (AC-230)	254 2/3
A/B	C3	22	SLDR. PLUG	14 UNF	VENT	-
A/B	C4	22	SLDR. PLUG	14 UNF	DRAIN	-



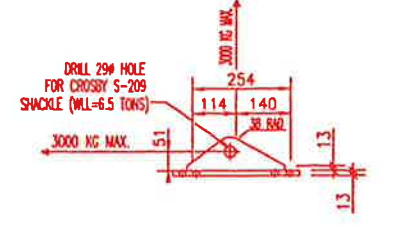
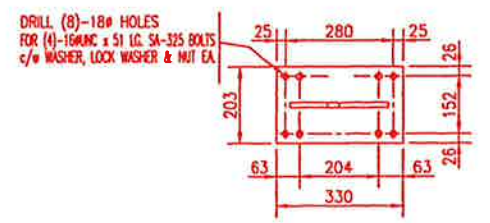
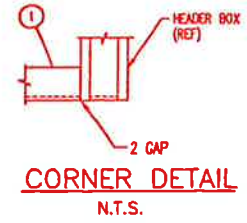
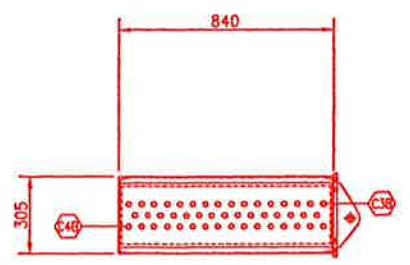
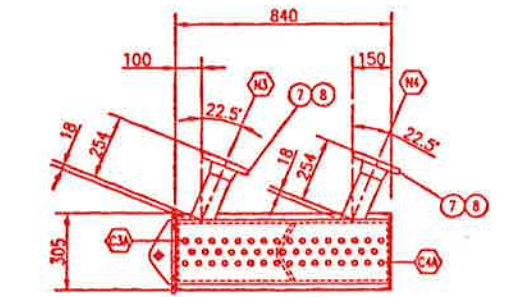
NOTE:  
 WEIGHTS SHOWN IN DIAGRAM INCLUDE 50% EXCESS FOR DYNAMIC LOADING  
 LIFTING DIAGRAM WEIGHT w/o IMPACT LOAD: 1520 KG



BILL OF MATERIAL			
ITEM	QUA	DESCRIPTION	
1	2	SIDE CHANNELS: MC310 @ 15.8 kg/m x 7890 LG	G40.21M-300W
2	6	BTM. TUBE SUP'T: L 51 x 51 x 6 THK x 830 LG	G40.21M-300W
3	6	TOP TUBE SUP'T: L 51 x 51 x 6 THK x 818 LG	G40.21M-300W
4			
5			
6	47	TUBES (WELDED): 19# x 18 B.W.G. WT x 7925 LG c/w L-TENSION ALUMINUM FINS SA-214 ERW 0.4 THK x 16 HIGH @ 394 FINS/m, & 35mm STRIP BACK EACH END	
7	2	PIPE: (SNLS) 89 O/D x 11.13 WT. x 227 LG (C.T.S.)	SA-106-B
8	2	FLG: 89 - 150# RFWN SCH 160 BORE	SA-105
9			
10			
11			
12	94	GASKET: 29 (1 1/8") O/D x 22 (7/8") I/D x 1.59 (1/16") THK (MAX. BIN 110)	C1010/20
13	94	HEX STEEL SHOULDER PLUG: 22 (7/8") - (14 UNF) x 19 (3/4") LG.	SA-105
14	2	NAME PLATE c/w MOUNTING BRACKET	SS/SA-36
15			
16			
17			
18			

NOTE: THE FOLLOWING SUBSTITUTIONS ARE PERMITTED (THE OPPOSITE NOT ALLOWED)  
 SA-350-LF2 for SA-105, SA-333-Gr6 for SA-106-B, SA-420-WPL6 for SA-234-WPB

CAPACITY:	0.156 m <sup>3</sup>	SERIAL NO: 99420-234 CRN:	
SURFACE AREA OF TUBES INCLUDING FINS:	534.43 m <sup>2</sup>	YEAR BUILT:	2000
WEIGHT EMPTY: (SEE NOTE 103)	1520 kg	LSD NO.:	-
WEIGHT FULL OF WATER:	1676 kg	CODE:	NON-CODE
SURFACE PREPARATION:			
PRIMER:	PNT 11	MAX. DES. PRES.:	97 kPag
FINISH PAINT:	NONE	DESIGN TEMP.:	149 °C
INSULATION:	NONE	CORR. ALLOW.:	0 mm
PRODUCTION IMPACT TEST REQ'D:	NO	HYDROTEST:	518 kPag
		MDMT:	-28 °C
MECH LOADINGS GOVERN PER UG 22:	NO		97 kPag
IMPACT TEST:	NO	MATERIAL: HDR BOXES: G40.21M-350(A-500C)/	
		TUBES: (WELDED) SA-516/70	
		RADIOGRAPHY:	N/A
SHIP LOOSE:	NO		
SERVICE:	60% EG/H2O	P.W.H.T.:	NO
OWP: 590.2			
OCP: AQP-1050(S) : AQP-1227(S)			
TACK, PRES/STRUCT WELDS 101, 109			
STRUCT TO STRUCT WELDS 101, 109			



- NOTES:
- HOLES SPACED 204 APART ARE FOR 305 DEEP SIDE CHANNEL HOLES 280 APART ARE FOR 381 SIDE CHANNEL.
  - SHACKLE HOLE IS DESIGNED SO THAT THE BOTTOM OF THE SUSPENDED BUNDLE WILL "KICK OUT" SLIGHTLY TO AID IN PLACEMENT.
  - LUG SHOULD BE PERMANENTLY MARKED "2000 KG CAPACITY. (3000 KG DYNAMIC LOADING)".
  - ALWAYS USE 2 LUGS FOR LIFTING.
  - A SPREADER BAR IS REQ'D TO ENSURE STRAIGHT UP LIFT.
  - ALL MATERIALS SA-36.

SADDLED COUPLING	NOZZLE ABUTTED	PIPE TO FLANGE/FITTING
1. WPS# 101, 107, 109	2. WPS# 101, 107, 109	3. WPS# 103, 105, 109

101. THE INLET/OUTLET HEADER BOX CAN BE WELDED TO THE CHANNEL ASSEMBLY BY WELDING THE SLIDE T-BAR (NOT THE HEADER BOX ITSELF) TO THE SIDE CHANNELS. DO NOT WELD THE RETURN HEADER BOX, IT SHOULD BE FREE TO SLIDE.  
 102. ALL BOLT HOLES FOR ATTACHING THE BUNDLE TO THE COOLER STRUCTURE SHOULD BE DRILLED ON ASSEMBLY.  
 103. WEIGHT ACCOUNTS FOR POSSIBLE CHANGE TO 14 B.W.G. TUBES.  
 GENERAL NOTES: 1 ISSUED FOR CONSTRUCTION  
 DATE: 2000.05.24 2:42pm FILE NAME: J:\job99\DWG\99420\Cir\BOL-99420-234-01.dwg No. REVISION BY DATE CKD ENG

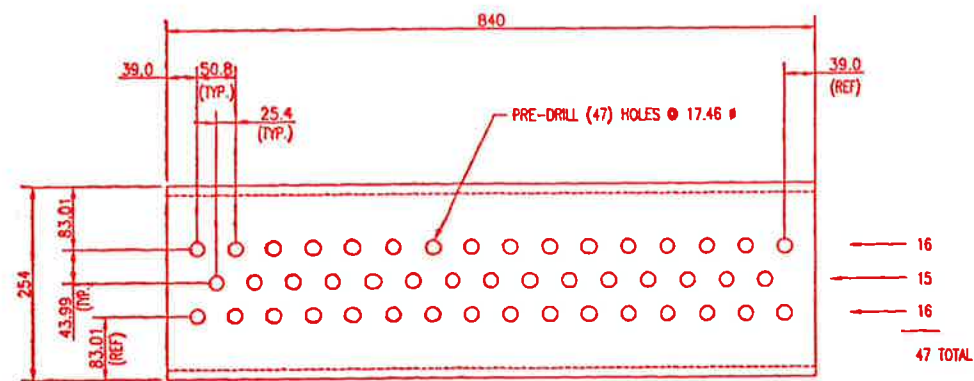
GENERAL NOTES		GENERAL NOTES	
104. REMOVE ALL SHARP EDGES & BURRS.	105. COPIED FROM JOB #99404	1	ISSUED FOR CONSTRUCTION
		G. CHIN	00/05/24
		BY	DATE
		CKD	ENG

APPROVED		DRAWN	
MECH. STRUCT. S. ISAACS	BY G. CHIN	DATE 00/05/11	DATE 00/05/02
ELECTRICAL	CHECKED	BY D. PARTIBLE	DATE 00/05/11
PROJECT P. CRAWFORD	DATE 00/05/24	SCALE AS NOTED	

PROPAG SYSTEMS LTD.  
 STOCK 1380 HP COMPRESSOR, M/N W 1380, 6HOS-3  
 AUX. JACKET WATER  
 AC-230  
 DWG. No.: D-BDL-99420-234 SHT. 1 OF 2 REV. 1

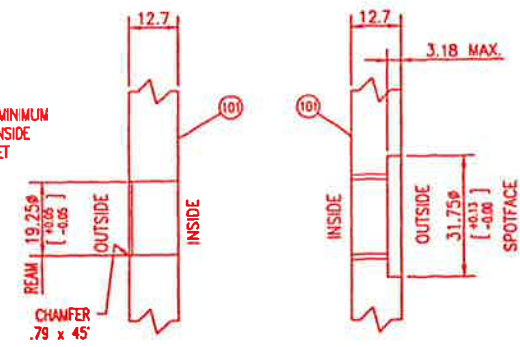
**PROPAG**  
 440 East Lake Road,  
 Postal Bag #2  
 Airdrie, Alberta  
 Canada T4B 2C3

THIS DESIGN IT COVERS ARE CONFIDENTIAL AND THE PROPERTY OF PROPAC SYSTEMS LTD., AND SHALL NOT BE DISCLOSED OR REPRODUCED IN ANY MANNER OR USED FOR ANY PURPOSE WHATSOEVER EXCEPT BY WRITTEN CONSENT OF PROPAC.



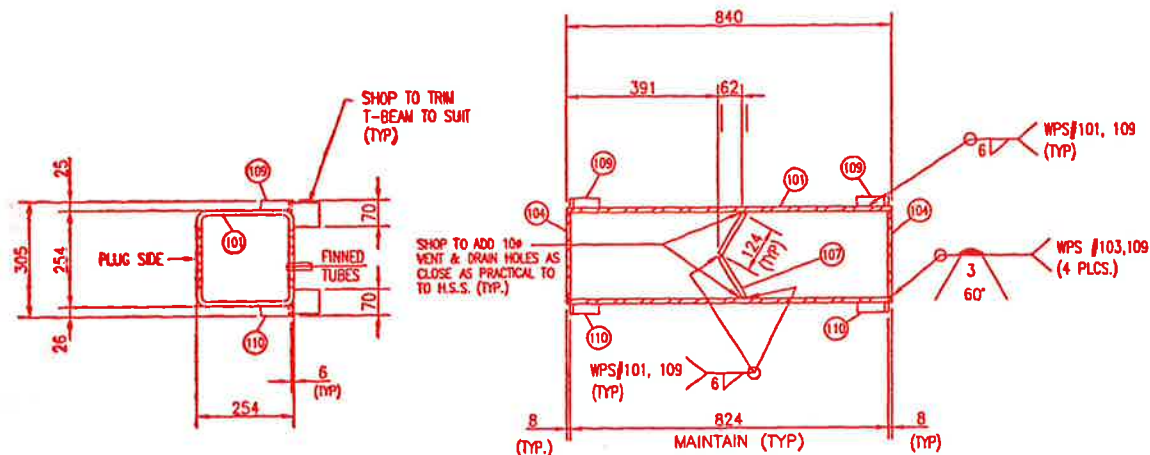
**TUBESHEET/PLUGSHEET LAYOUT**  
SCALE 1:5  
⑩ (2)-HSS REQ'D

SHOP NOTE:  
EXPAND TUBES A MINIMUM  
OF 10mm FROM INSIDE  
FACE OF TUBESHEET

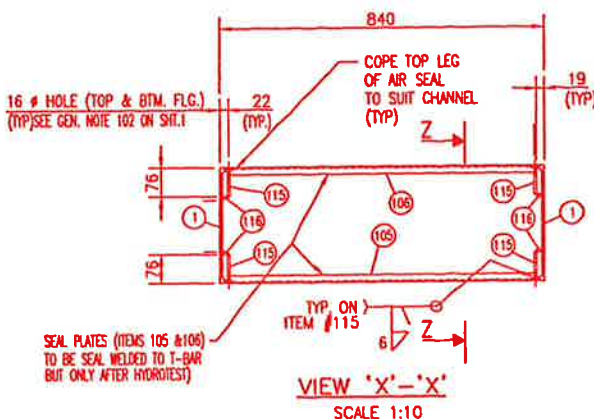


**TUBESHEET HOLES** SCALE 1:1  
**PLUGSHEET HOLES** SCALE 1:1

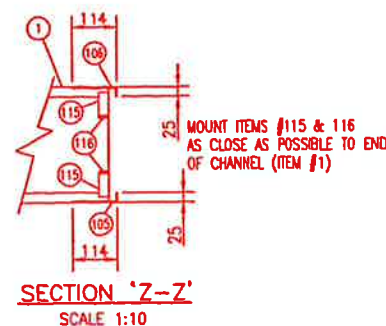
BILL OF MATERIAL				
ITEM	QUA	DESCRIPTION		
EX-STOCK-P	101	2	HSS; 12.7 THK. x 254 x 254 x 840 LG.	G40.21M-350W(A-500C)
	102			
	103			
	104	4	PLATE; 9.53 THK. x 223 SQ. (C.T.S.)	SA-516-70
STOCK	105	2	BTM. AIR SEAL; PRE-FORMED ANGLE 3 THK x 25 x 114 x 800 LG.	SA-36
STOCK	106	2	TOP AIR SEAL; PRE-FORMED ANGLE 3 THK x 25 x 114 x 800 LG.	SA-36
	107	2	PLATE; 13 THK. x 124 WD. x 229 LG. (C.T.S.)	SA-36
	108			
	109	4	WT 75 x 15 kg/m x 70 LG.	SA-36
	110	4	WT 75 x 15 kg/m x 70 LG.	SA-36
	111			
	112			
	113			
	114			
	115	4	FLATBAR; 6 THK. x 25 x 65 LG.	G40.21M-300W
	116	4	FLATBAR; 6 THK. x 25 x 14 LG.	G40.21M-300W
	117	24	M/C BOLTS; 13 # UNC x 38 LG. c/w WASHER, LOCK WASHER & NUT EA. (ZINC-COATED)	SA-325
	118			
	119	12	FLAT BAR; 3 THK. x 51 x 200 LG. (F. & C.T.S.)	G40.21M-300W
	120			
	121	18	ALUMINUM STRIP; 24 BWG x 38 x 1300 LG. (C.T.S.)	ALUMINUM
	122			
	123	12	FLAT BAR; 6 THK x 89 x 44 LG.	G40.21M-300W
	124			



**INLET/OUTLET HEADER BOX DETAIL**  
(VIEWED FROM PLUGSIDE)  
SCALE 1:10



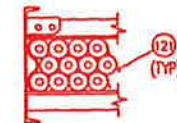
**VIEW 'X'-'X'**  
SCALE 1:10



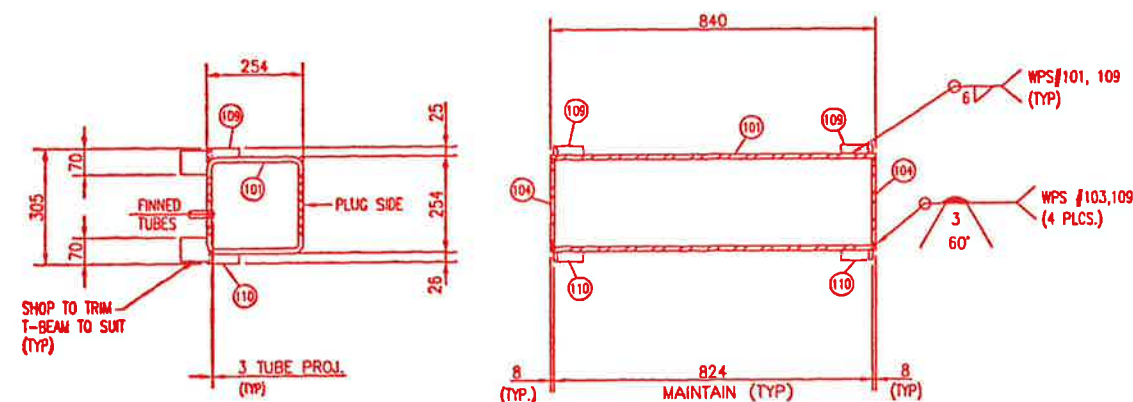
**SECTION 'Z-Z'**  
SCALE 1:10



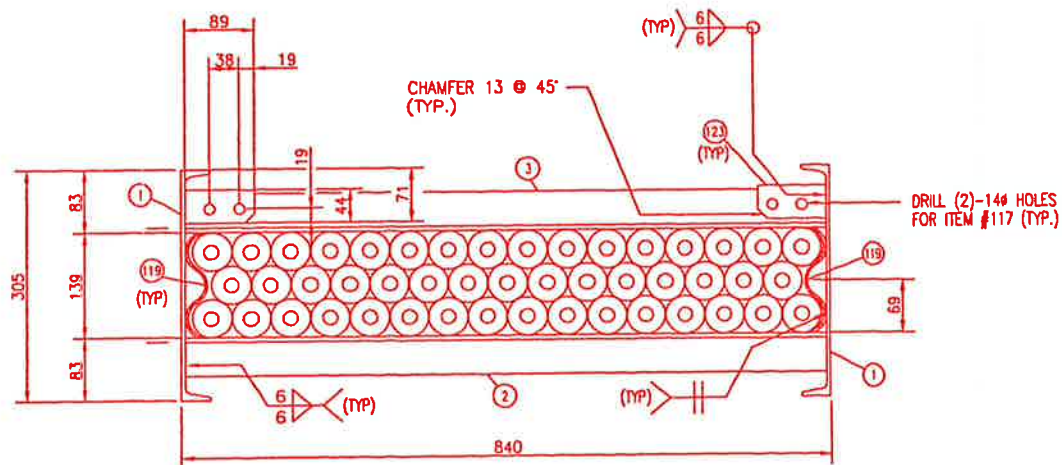
**ALUMINUM WRAP AT SUPPORTS #1,3,&5**  
SCALE 1:10



**ALUMINUM WRAP AT SUPPORT #2,4,&6**  
SCALE 1:10



**RETURN HEADER BOX DETAIL**  
SCALE 1:10



**SECTION 'Y'-'Y'**  
SCALE 1:5

SEE SHIT. 1 FOR GENERAL NOTES

GENERAL NOTES

GENERAL NOTES

1 ISSUED FOR CONSTRUCTION

REVISION

G. CHIN 00/05/24 JO PC  
BY DATE CKD ENG

APPROVED		DRAWN	
MECH./STRUCT. S. ISAACS	BY	C. CHN	DATE
DATE 00/05/11	DATE	00/05/02	
ELECTRICAL	CHECKED		
DATE	BY	D. PARTIBLE	DATE
PROJECT P. CRAWFORD	DATE	00/05/11	
DATE 00/05/24	SCALE	AS NOTED	

PROPAC SYSTEMS LTD.

STOCK 1380 HP COMPRESSOR, M/N W 1380, 6HOS-3  
AUX. JACKET WATER  
AC-230

DWG. No.: D-BDL-99420-234

SHT. 2 OF 2 REV. 1

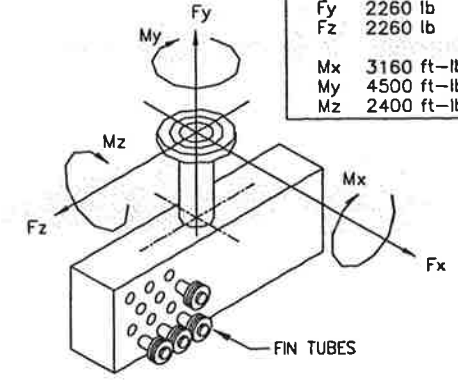
**PROPAC**  
440 East Lake Road,  
Postal Bag #2  
Aldrie, Alberta  
Canada T4B 2C3

TO OTHERS OR REPRODUCED IN ANY MANNER OR USED FOR ANY PURPOSE WHATSOEVER EXCEPT BY WRITTEN CONSENT OF PROPAC.

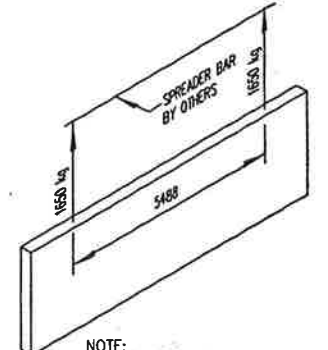
THIS DRAWING AND THE PROPERTY OF PROPAC SYSTEMS LTD., AND SHALL NOT BE DISCLOSED TO OTHERS OR REPRODUCED IN ANY MANNER OR USED FOR ANY PURPOSE WHATSOEVER EXCEPT BY WRITTEN CONSENT OF PROPAC.

NOZZLE SCHEDULE						
MK	SIZE	RATING	FACING	SCH	SERVICE	EXT. PROJ WELD
N5	168	300#	RFWN	160	INLET	254
N6	168	300#	RFWN	160	OUTLET	254
C1	41	SHDR PLUG	12UN	-	VENT w/ PLUG	-
C2	41	SHDR PLUG	12UN	-	DRAIN w/ PLUG	-
C3	27	6000#	NPT	-	TC c/w PLUG	-

MAXIMUM ALLOWABLE NOZZLE LOADS	
Fx	1800 lb
Fy	2260 lb
Fz	2260 lb
Mx	3160 ft-lb
My	4500 ft-lb
Mz	2400 ft-lb



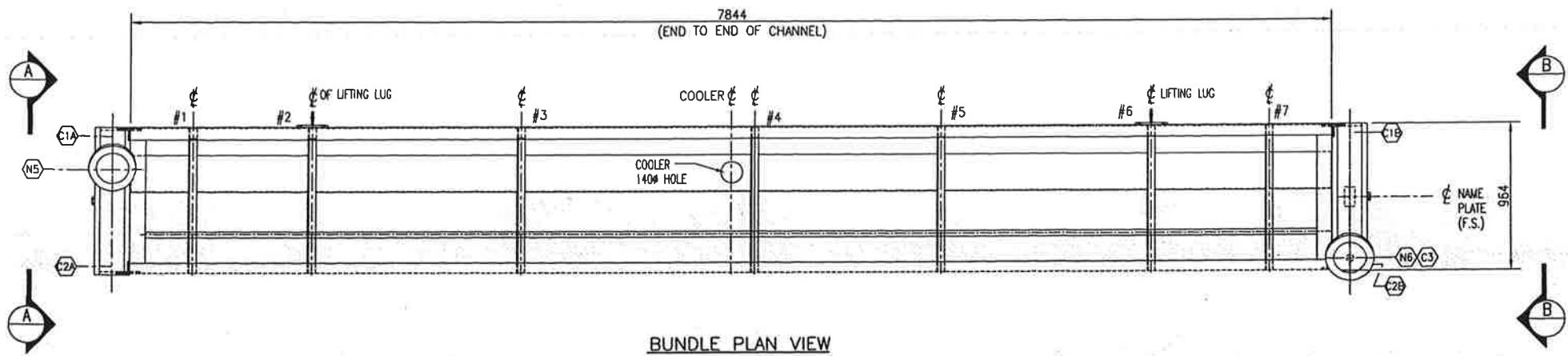
MAXIMUM ALLOWABLE NOZZLE LOADS FOR AC-210



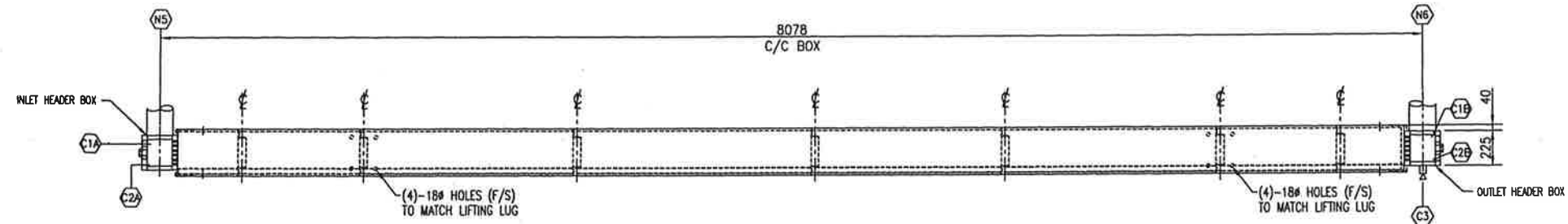
NOTE: WEIGHTS SHOWN IN DIAGRAM INCLUDE 50% EXCESS FOR DYNAMIC LOADING. LIFTING DIAGRAM WEIGHT w/o IMPACT LOAD: 2200 KG.

LIFTING DIAGRAM FOR AC-210

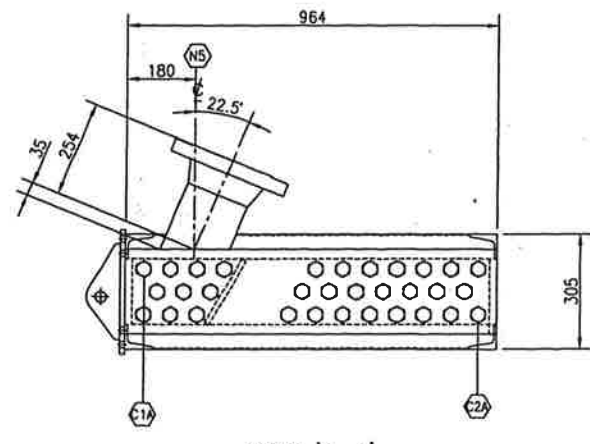
CAPACITY:	0.29 m <sup>3</sup>	SERIAL NO:	99420-233 CRN:
SURFACE AREA OF TUBES INCLUDING FIN:	564 m <sup>2</sup>	YEAR BUILT:	2000
WEIGHT EMPTY:	2200 kg	LSD NO.:	-
WEIGHT FULL OF WATER:	2490 kg	CODE:	ASME SECT VIII DIV I, '98, ADDENDA '99
SURFACE PREPARATION:		MAX. DES. PRES.:	4447 kPag
PRIMER:	PNT 12	DESIGN TEMP.:	176 °C
FINISH PAINT:		CORR. ALLOW.:	3.18 mm
INSULATION:	NONE	HYDROTEST:	6670 kPag
PROD. IMPACT TEST REQ'D:	NO	MDMT:	-28 °C
MECH. LOADS GOV. PER UG22:	NO		4447 kPag
IMPACT TEST:	NO - PER UG20(1) UCS-66(a); UCS-66(c)	MATERIAL:	HDR BOXES: SA-516-70N
		TUBES:	(SMLS) SA-179
		RADIOGRAPHY:	N/A
			EXCEPT FULL ON FLG/PIPE WELDS ON NOZZLE
SHIP LOOSE:	NO	P.W.H.T.:	YES
SERVICE:	NATURAL GAS	MINIMUM TEMP.:	594 °C
		FOR TIME:	1 Hr
		"SOOR SERVICE"	MATERIAL HARDNESS AFTER STRESS-RELIEVING (INCLUDING WELD METAL AND HAZ) SHALL NOT EXCEED HRC-22
		TAG NO:	AC-210



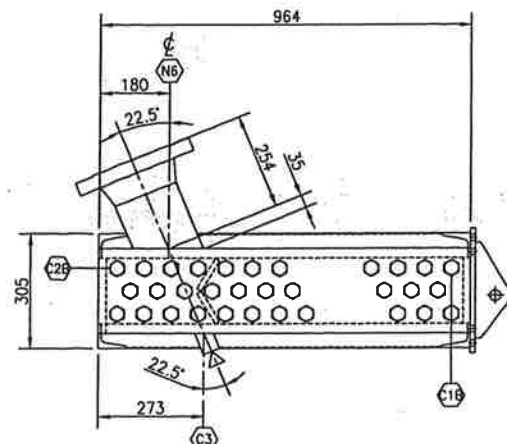
BUNDLE PLAN VIEW SCALE: 1:20



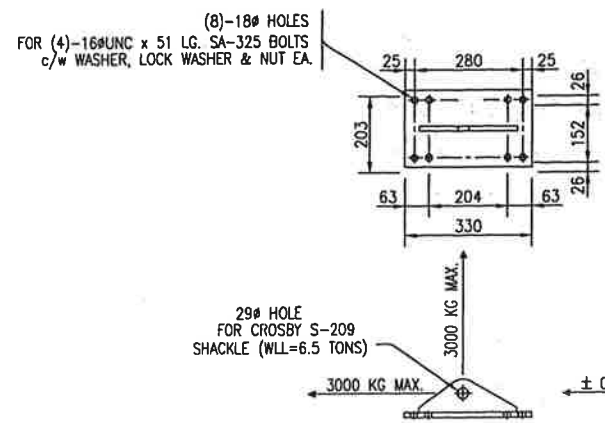
BUNDLE ELEVATION VIEW SCALE: 1:20



VIEW 'A-A' SCALE: 1:10



VIEW 'B-B' SCALE: 1:10



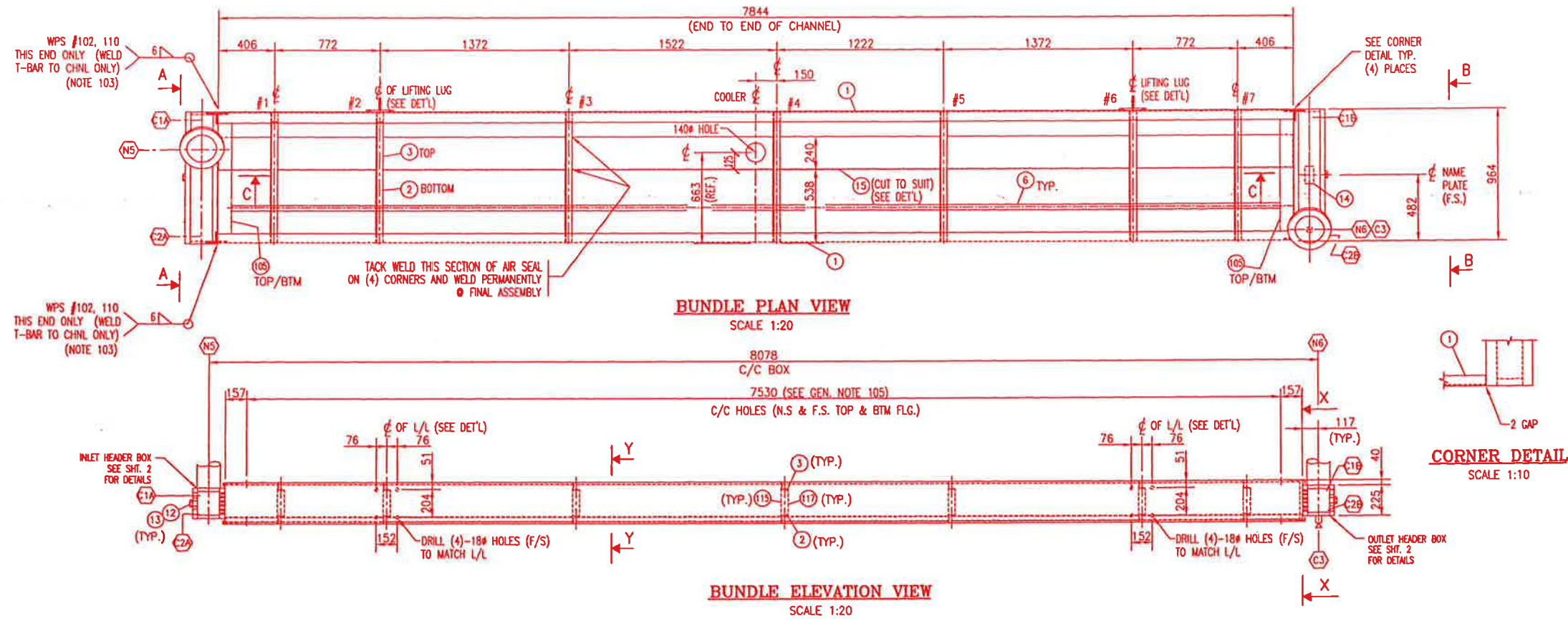
REMOVABLE LIFTING LUG DETAIL (REUSABLE) (2)-REQ'D. SCALE: 1:10

- NOTES:
- HOLES SPACED 204 APART ARE FOR 305 DEEP SIDE CHANNEL. HOLES 280 APART ARE FOR 381 SIDE CHANNEL.
  - SHACKLE HOLE IS DESIGNED SO THAT THE BOTTOM OF THE SUSPENDED BUNDLE WILL "KICK OUT" SLIGHTLY TO AID IN PLACEMENT.
  - LUG SHOULD BE PERMANENTLY MARKED "2000 KG CAPACITY. (3000 KG DYNAMIC LOADING)". ALWAYS USE 2 LUGS FOR LIFTING.
  - A SPREADER BAR IS REQ'D. TO ENSURE STRAIGHT UP LIFT.
  - ALL MATERIALS SA-36.

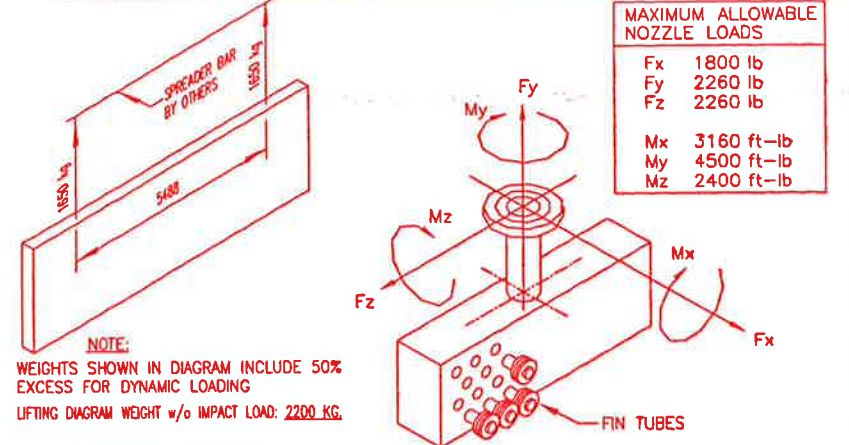
GENERAL NOTES		GENERAL NOTES		APPROVED		DRAWN		APACHE CANADA LIMITED	
DATE: 2000.09.26 8:32am	FILE NAME: J:\jobs99\DWG\99420\Comp\Misc\BDL-99420-233-SKT-01.dwg	SKT	ISSUED FOR DOCUMENTATION	J.JA	00/09/15	VK	SW	1478 HP HAMBURG COMPRESSOR PACKAGE	
		No.	REVISION	BY	DATE	CKD	ENG	1st STAGE INTERCOOLER	
								AC-210	
								DWG. No.:	D-BDL-99420-233-SKT SHT. 1 OF 1
								SCALE	AS NOTED
								REV. SKT	

440 East Lake Road,  
Postal Bag #2  
Airdrie, Alberta  
Canada T4B 2C3

THIS DRAWING AND THE PROPERTY OF PROPAC SYSTEMS LTD. AND SHALL NOT BE DISCLOSED TO OTHERS OR REPRODUCED IN ANY MANNER OR USED FOR ANY PURPOSE WHATSOEVER EXCEPT BY WRITTEN CONSENT OF PROPAC.



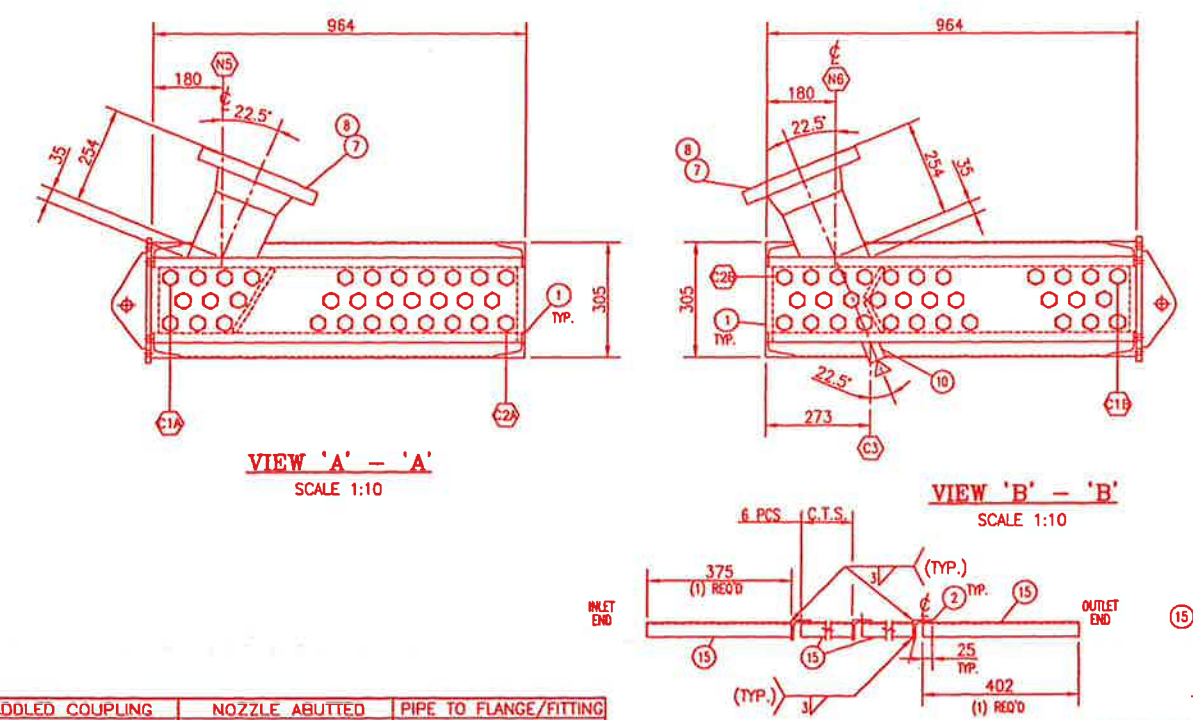
NOZZLE SCHEDULE									
MK	SIZE	RATING	FACING	SCH	SERVICE		EXT. PROJ	WELD	
N5	168	300#	RFWN	160	INLET		254	2/3	
N6	168	300#	RFWN	160	OUTLET		254	2/3	
A/B	C1	41	SHDR PLUG	12UN	VENT w/ PLUG		-	-	
A/B	C2	41	SHDR PLUG	12UN	DRAIN w/ PLUG		-	-	
	C3	27	600#	NPT	TC c/w PLUG		-	1	



**BILL OF MATERIAL**

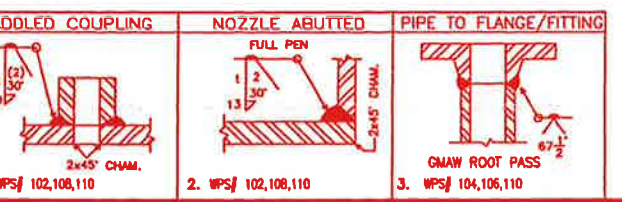
ITEM	QUA	DESCRIPTION	
1	2	SIDE CHANNELS: C310 @ 31 kg/m x 7844 LG.	G40.21M-300W
2	7	BTM. TUBE SUP'T: L 51 x 51 x 6 THK. x 950 LG	G40.21M-300W
3	7	TOP TUBE SUP'T: L 51 x 51 x 6 THK. x 938 LG	G40.21M-300W
4			
5			
6	32	TUBES (SMLS): 38# x 16 B.W.G. W.T. x 7925 LG c/w L-TENSION ALUMINUM FINES SA-179	
		0.4 THK x 16 HIGH @ 394 FNS/m. & 57mm STRIP BACK EACH END.	
7	2	FLG: 168 - 300# RFWN SCH 160 BORE	SA-105N
8	2	PIPE: (SMLS) 168 O/D x 18.26 W.T. x 216 LG (CTS)	SA-106-B
9			
10	1	CPLG: 27 - 6000# NPT c/w PLUG	SA-105N
11			
12	64	GASKET: 48 (1 7/8") O/D x 41 (1 5/8") I/D x 1.59 (1/16") THK. MAX. BHN 110 C10110/20	
13	64	HEX STEEL SHOULDER PLUG: 41 (1 5/8") @ - (12 UN ) x 35 (1 3/8") LG.	SA-105N
14	1	NAME PLATE c/w MOUNTING BRACKET	SS/SA-36
15	1	SHAFT AIR SEAL: FORMED ANGLE PLATE: 3 THK. x 240 x 38 x 7700 LG. (C.T.S)	SA-36

TRANSFER TO DWG.# D-BDL-00424-233 (SHT. 1)



**NOTES:**

- HOLES SPACED 204 APART ARE FOR 305 DEEP SIDE CHANNEL. HOLES 280 APART ARE FOR 381 SIDE CHANNEL.
- SHACKLE HOLE IS DESIGNED SO THAT THE BOTTOM OF THE SUSPENDED BUNDLE WILL "KICK OUT" SLIGHTLY TO AID IN PLACEMENT.
- LUG SHOULD BE PERMANENTLY MARKED "2000 KG CAPACITY. (3000 KG DYNAMIC LOADING)".
- ALWAYS USE 2 LUGS FOR LIFTING.
- A SPREADER BAR IS REQ'D. TO ENSURE STRAIGHT UP LIFT.
- ALL MATERIALS SA-36.



**MATERIAL NOTES**

- U.T. EXAMINATION REQUIRED IN STRICT ACCORDANCE WITH SA-435 ON A 51 mm (2") GRID AND SUPPLEMENTARY EXAMINATION TO SA-577.
- MATERIAL HARDNESS AFTER STRESS-RELIEVING (INCLUDING WELD METAL & HAZ) SHALL NOT EXCEED HRC-22

**NOTE: THE FOLLOWING SUBSTITUTIONS ARE PERMITTED (THE OPPOSITE NOT ALLOWED)**  
SA-350-LF2 for SA-105, SA-333-Gr6 for SA-106-B, SA-420-WPL6 for SA-234-WPB

**CAPACITY:** 0.29 m<sup>3</sup>

**SURFACE AREA OF TUBES INCLUDING FINES:** 564 m<sup>2</sup>

**WEIGHT EMPTY: (SEE NOTE #106)\*** 2200 kg

**WEIGHT FULL OF WATER:** 2490 kg

**SURFACE PREPARATION:**

**PRIMER:** PNT 12

**FINISH PAINT:** NONE

**INSULATION:** NONE

**PROD. IMPACT TEST REQ'D:** NO

**MECH. LOADS GOV. PER UG22:** NO

**IMPACT TEST:** NO - PER UG20(f) UCS-66(c); UCS-66(c)

**SHIP LOOSE:** NO

**SERVICE:** NATURAL GAS

**QWP:** 590.2

**QCP:** AQP-1050(S) : AQP-1227(S)

**TACK, PRES/STRUCT WELDS** 102, 110

**STRUCT TO STRUCT WELDS** 101, 109

**SHIP LOOSE:** NO

**SERVICE:** NATURAL GAS

**QWP:** 590.2

**QCP:** AQP-1050(S) : AQP-1227(S)

**TACK, PRES/STRUCT WELDS** 102, 110

**STRUCT TO STRUCT WELDS** 101, 109

**IMPACT TEST:** NO - PER UG20(f) UCS-66(c); UCS-66(c)

**SHIP LOOSE:** NO

**SERVICE:** NATURAL GAS

**QWP:** 590.2

**QCP:** AQP-1050(S) : AQP-1227(S)

**TACK, PRES/STRUCT WELDS** 102, 110

**STRUCT TO STRUCT WELDS** 101, 109

GENERAL NOTES		GENERAL NOTES		REVISION	
101. ALL WELDING INCLUDING SLIDE T-BAR SHOULD BE COMPLETED, AND ALL PILOT HOLES SHOULD BE DRILLED BEFORE THE HEADER BOX IS STRESS-RELIEVED.	104. REMOVE ALL SHARP EDGES & BURRS.	105. ALL BOLT HOLES FOR ATTACHING THE BUNDLE TO THE COOLER STRUCTURE SHOULD BE DRILLED ON ASSEMBLY.		1	TRANSFER TO JOB #00424
102. TUBE AND PLUG SHEET HOLES SHOULD BE FINISHED ONLY AFTER STRESS-RELIEVING.		106. WEIGHT ACCOUNT FOR POSSIBLE CHANGE TO 14 BWG TUBES.		2	ISSUED FOR CONSTRUCTION
103. AFTER STRESS-RELIEVING THERE SHOULD BE NO WELDING ON THE HEADER BOXES. THE INLET HEADER BOX CAN BE WELDED INTO THE CHANNEL ASSEMBLY BY WELDING THE SLIDE T-BAR (NOT THE HEADER BOX ITSELF) TO THE SIDE CHANNELS. DO NOT WELD THE OUTLET HEADER BOX. IT SHOULD BE FREE TO SLIDE PERIPHERAL EDGES BOTH BEFORE & AFTER WELDING PER UG-93(d)(4).					

**PROPAC SYSTEMS LTD.**  
440 East Lake Road,  
Postal Bag #2  
Airdrie, Alberta  
Canada T4B 2C3

**APPROVED**  
MECH./STRUCT. S. ISAACS  
DATE 00/05/11

**DRAWN**  
BY I.B./LLEE  
DATE 00/05/03

**ELECTRICAL**  
DATE 00/05/11

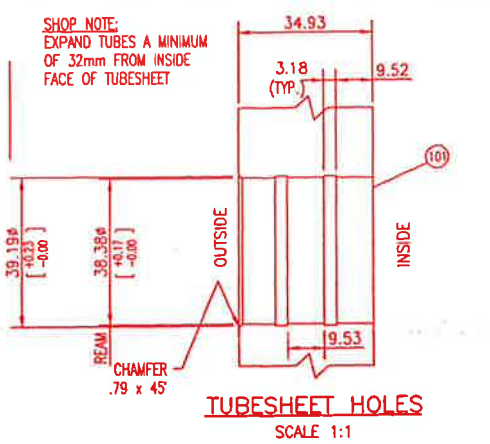
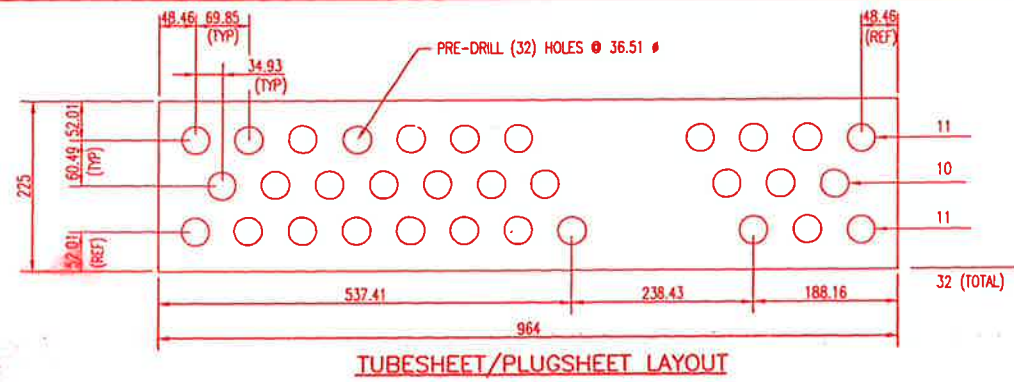
**PROJECT**  
P.CRAWFORD  
DATE 00/05/11

**SCALE**  
AS NOTED

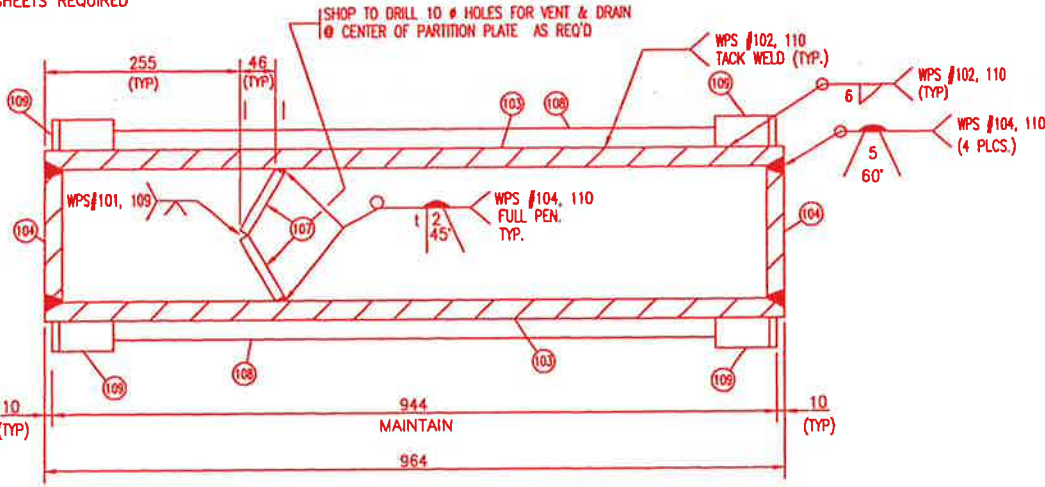
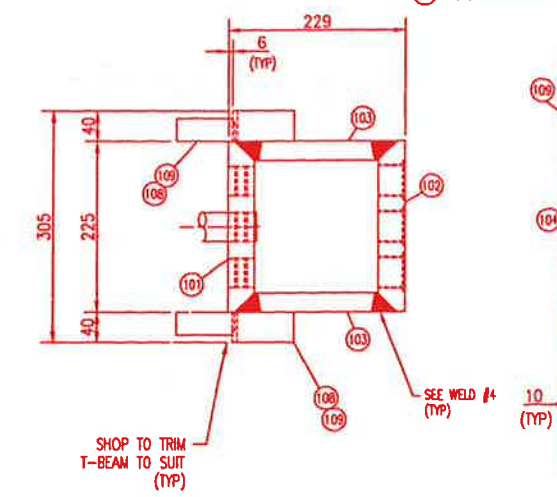
**STOCK** 1380 HP COMPRESSOR, M/N W 1380, 6HOS-3  
1st STAGE INTERCOOLER  
AC-210

**DWG. No.:** D-BDL-99420-233  
**SHT. 1 OF 2**

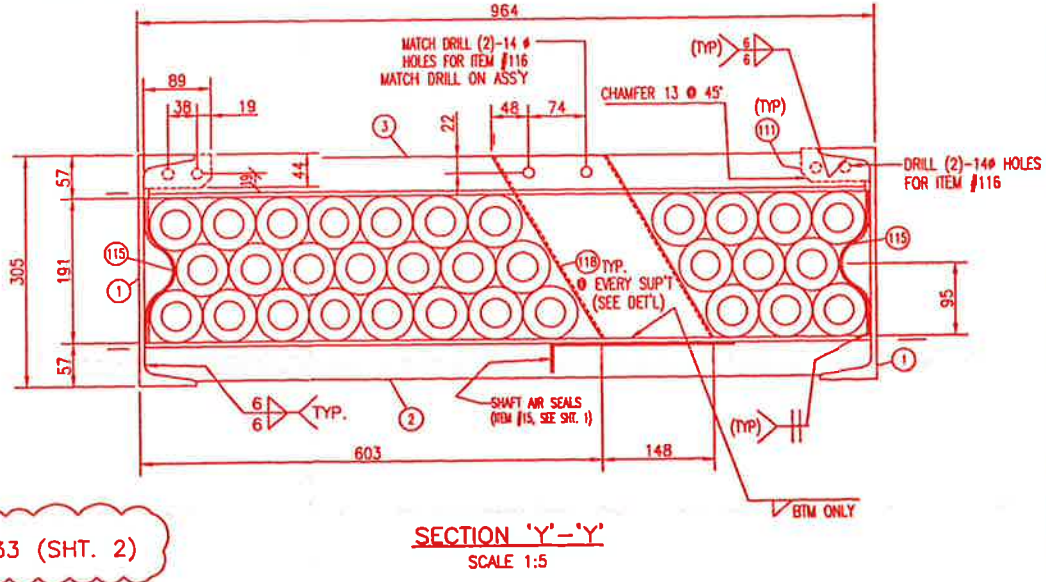
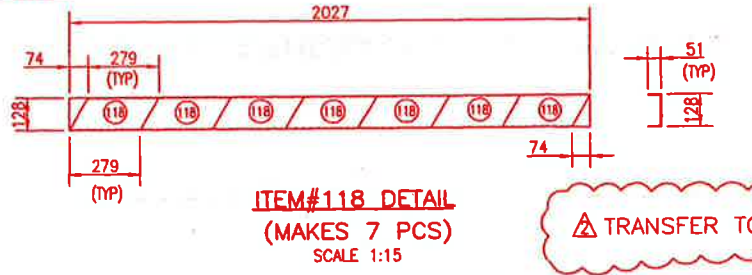
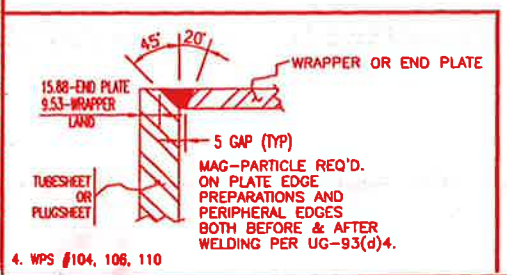
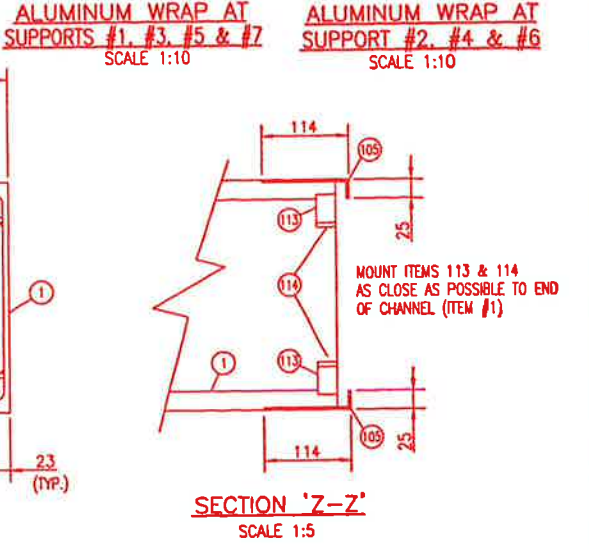
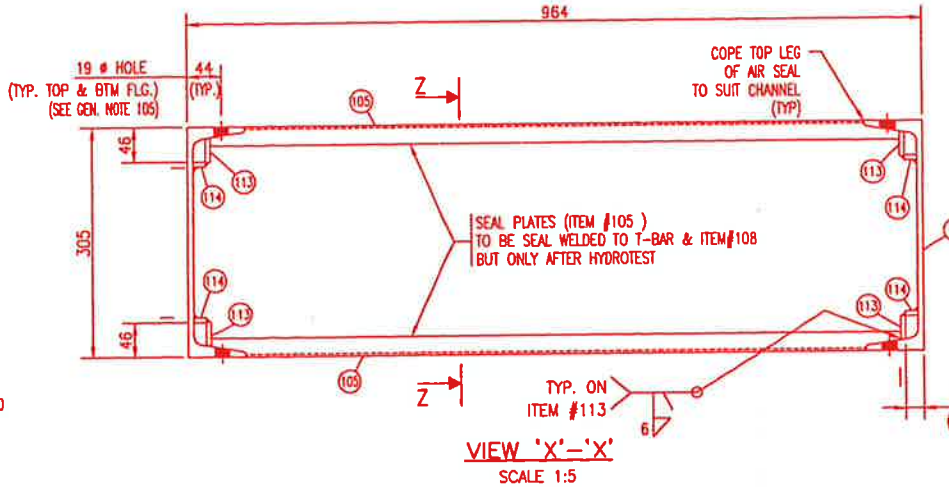
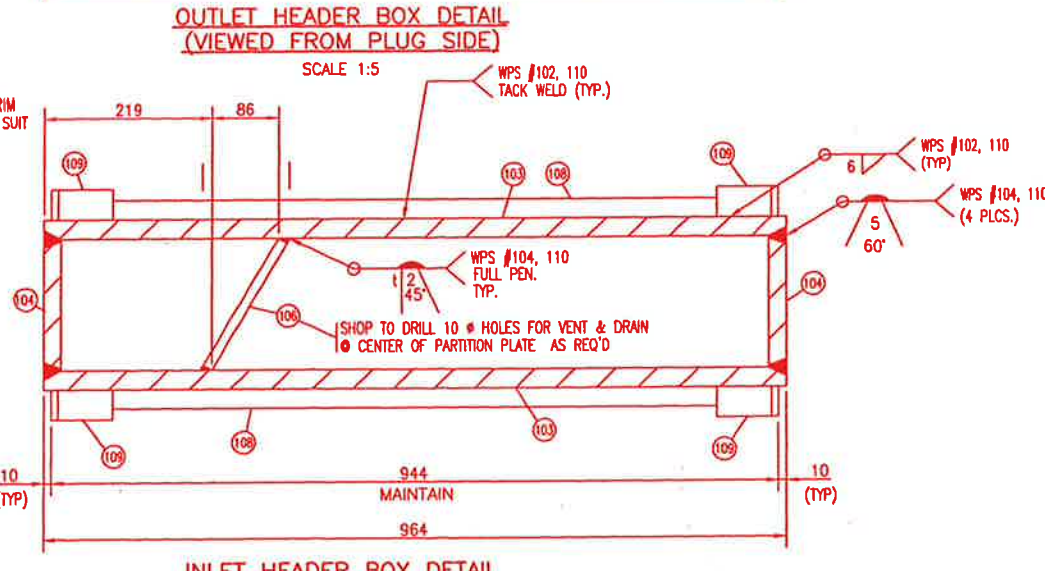
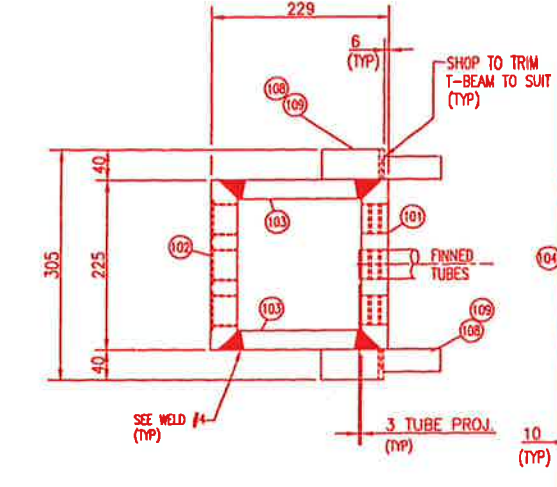
THIS DRAWING AND THE PROPERTY OF PROPAC SYSTEMS LTD., AND SHALL NOT BE DISCLOSED TO OTHERS OR REPRODUCED IN ANY MANNER OR USED FOR ANY PURPOSE WHATSOEVER EXCEPT BY WRITTEN CONSENT OF PROPAC.



ITEM	QTY	DESCRIPTION	
101	2	TUBESHEET - PLATE: 34.93 THK. x 225 DEEP x 964 LG.	SA-516-70N
102	2	PLUGSHEET - PLATE: 34.93 THK. x 225 DEEP x 964 LG.	SA-516-70N
103	4	PLATE: 25.4 THK. x 149 x 964 LG.	SA-516-70N
104	4	PLATE: 19.05 THK. x 149 x 165 LG.	SA-516-70N
105	4	AIR SEAL: PRE-FORMED ANGLE: 3 THK x 25 x 114 x 914 LG (SEE DETAIL)	SA-36
106	1	PLATE: 13 THK. x 159 x 194 LG.	SA-516-70
107	2	PLATE: 13 THK. x 159 x 93 LG.	SA-516-70
108	4	FLAT BAR: 3 THK. x 25 x 783 LG.	G40.21M-300W
109	8	WT 75 x 15 kg/m x 40 LG.	SA-36
110			
111	14	FLAT BAR: 6 THK. x 89 x 44 LG.	G40.21M-300W
112			
113	4	FLAT BAR: 6 THK. x 25 x 31 LG.	G40.21M-300W
114	4	FLAT BAR: 6 THK. x 25 x 16 LG.	G40.21M-300W
115	14	FORMED SECTION: FLAT BAR 3 THK. x 51 x 300 LG. (F. & C.T.S.)	G40.21M-300W
116	42	M/C BOLTS 13 # UNC x 38 LG. c/w WASHER, LOCK WASHER & NUT EA. (ZINC PLATED)	SA-325
117	21	ALUMINUM WRAP: 38 WID x 24 GA. x 1400 (C.T.S.)	ALUMINUM
118	1	PRE-FORMED CHNL: 128 DEEP x 51 WIDE TOP & BTM FLG. x 3 THK. x 2027 LG. (C.T.S.)	SA-36



**SHOP NOTE:**  
 BEFORE GROOVING TUBE HOLES OR WELDING HEADER BOXES CHECK THAT ORIENTATION OF TUBE SHEET & PLUG SHEET ARE OPPOSITE HAND IN THE TWO BOXES. (SEE VIEW 'A-A' & 'B-B') THIS IS NECESSARY BECAUSE TUBES MUST RUN FROM ONE TO THE OTHER IN A CONSISTENT PATTERN.



**TRANSFER TO DWG.# D-BDL-00424-233 (SHT. 2)**

NO.	REVISION	BY	DATE	CKD	ENG
2	TRANSFER TO JOB #00424	ILEE	00/10/06		
1	ISSUED FOR CONSTRUCTION	ILEE	00/05/24	JIM D.	PAUL C.

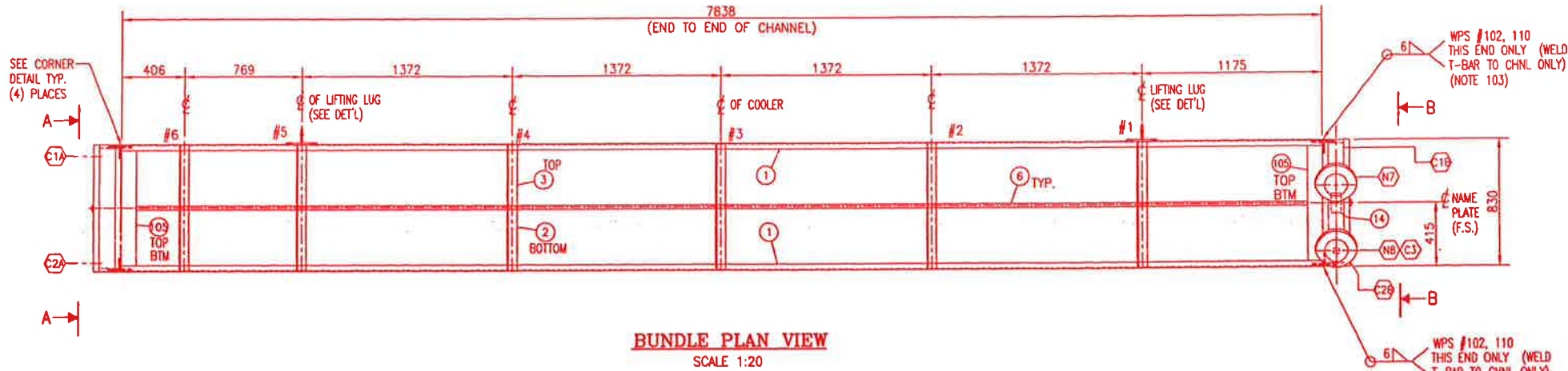
GENERAL NOTES  
 - SEE SHIT. 1 FOR GENERAL NOTES & MATERIAL NOTES  
 DATE: 2000.10.06 10:50am FILE NAME: J:\jobs99\DWG\99420\Cir\BDL-99420-233-02.dwg

APPROVED		DRAWN		PROPAC SYSTEMS LTD.	
MECH/STRUCT.	S. ISAACS	BY	L.B./L.LEE		
DATE	00/05/11	DATE	00/05/01	STOCK 1380 HP COMPRESSOR, M/N W 1380, 6HOS-3	
ELECTRICAL		CHECKED		1st STAGE INTERCOOLER	
DATE		BY	J. DELORME	AC-210	
PROJECT	P.CRAWFORD	DATE	00/05/11	DWG. No.:	D-BDL-99420-233
DATE	00/05/24	SCALE	AS NOTED	SHT.	2 OF 2
REV. 2					

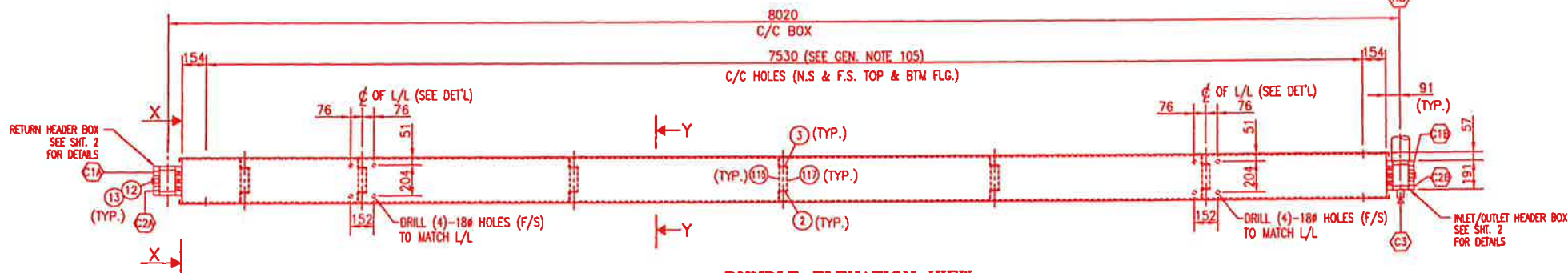
**PROPAC**  
 440 East Lake Road,  
 Postal Bag #2  
 Airdrie, Alberta  
 Canada T4B 2C3



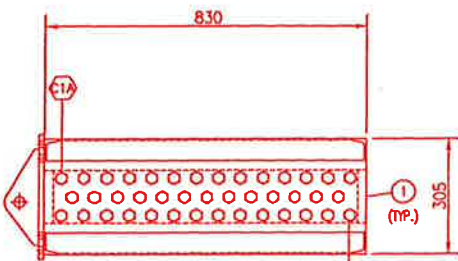
THIS DRAWING AND THE PROPERTY OF PROPAC SYSTEMS LTD., AND SHALL NOT BE DISCLOSED TO OTHERS OR REPRODUCED IN ANY MANNER OR USED FOR ANY PURPOSE WHATSOEVER EXCEPT BY WRITTEN CONSENT OF PROPAC.



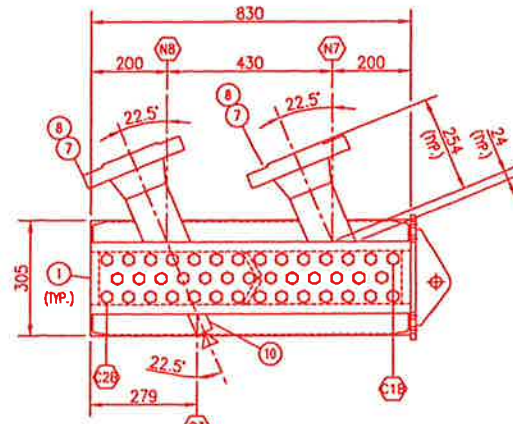
**BUNDLE PLAN VIEW**  
SCALE 1:20



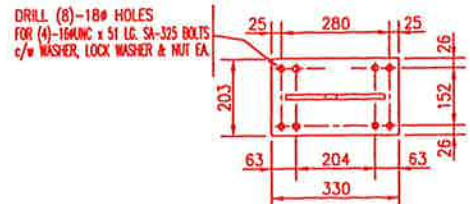
**BUNDLE ELEVATION VIEW**  
SCALE 1:20



**VIEW 'A' - 'A'**  
SCALE 1:10

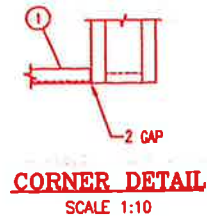


**VIEW 'B' - 'B'**  
SCALE 1:10



**REMOVABLE LIFTING LUG DETAIL (REUSABLE)**  
(2)-REQ'D.  
SCALE 1:10

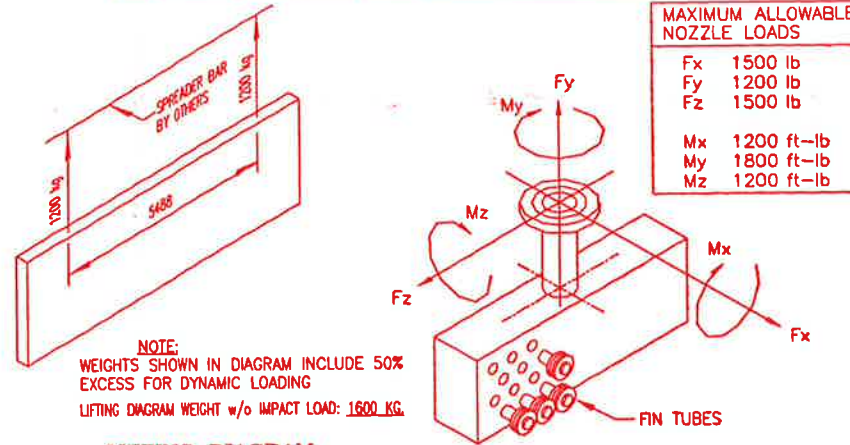
- NOTES:**
- HOLES SPACED 204 APART ARE FOR 305 DEEP SIDE CHANNEL. HOLES SPACED 114 APART ARE FOR 381 SIDE CHANNEL.
  - SHACKLE HOLE IS DESIGNED SO THAT THE BOTTOM OF THE SUSPENDED BUNDLE WILL "KICK OUT" SLIGHTLY TO AID IN PLACEMENT.
  - LUG SHOULD BE PERMANENTLY MARKED "2000 KG CAPACITY, (3000 KG DYNAMIC LOADING)".
  - ALWAYS USE 2 LUGS FOR LIFTING.
  - A SPREADER BAR IS REQ'D. TO ENSURE STRAIGHT UP LIFT.
  - ALL MATERIALS SA-36.



**CORNER DETAIL**  
SCALE 1:10

NOZZLE SCHEDULE						
MK	SIZE	RATING	FACING	SCH	SERVICE	EXT. PROJ WELD
N7	114	600#	RFWN	XXH	INLET	254 2/3
N8	114	600#	RFWN	XXH	OUTLET	254 2/3
C1	29	90DR PLUG	12UNF	-	VENT	-
C2	29	90DR PLUG	12UNF	-	ORAIN	-
C3	27	600#	NPT	-	TC c/w PLUG	1

MAXIMUM ALLOWABLE NOZZLE LOADS	
Fx	1500 lb
Fy	1200 lb
Fz	1500 lb
Mx	1200 ft-lb
My	1800 ft-lb
Mz	1200 ft-lb



**LIFTING DIAGRAM**  
FOR AC-211

BILL OF MATERIAL		
ITEM	QUA	DESCRIPTION
1	2	SIDE CHANNELS: MC310 @ 15.8 kg/m x 7838 LG. C40.21M-300W
2	6	BTM. TUBE SUP'T: L 64 x 64 x 6 THK. x 820 LG. C40.21M-300W
3	6	TOP TUBE SUP'T: L 64 x 64 x 6 THK. x 808 LG. C40.21M-300W
4		
5		
6	41	TUBES (SMLS): 254 x 14 B.W.G. W.T. x 7925 LG c/w L-TENSION ALUMINUM FINS SA-179 0.4 THK x 16 HIGH @ 394 FINS/m, & 60mm STRIP BACK EACH END.
7	2	FLG: 114 - 600# RFWN SCH XXH BORE SA-105N
8	2	PIPE: (SMLS) 114 O/D x 17.12 W.T. x 195 LG (CIS) SA-106-B
9		
10	1	CPLG: 27 - 6000# NPT c/w PLUG SA-105N
11		
12	82	GASKET: 35 (1 3/8" O/D x 29 (1 1/8" I/D x 1.59 (1/16" THK. MAX. DRN 110 C1010/20
13	82	HEX STEEL SHOULDER PLUG: 29 (1 1/8" # - (12 UNF) x 25 (1") LG. SA-105N
14	1	NAME PLATE c/w MOUNTING BRACKET SS/SA-36
15		

NOTE: THE FOLLOWING SUBSTITUTIONS ARE PERMITTED (THE OPPOSITE NOT ALLOWED)  
SA-350-LF2 for SA-105, SA-333-Gr6 for SA-106-B, SA-420-WPL6 for SA-234-WP8

CAPACITY:	0.136 m <sup>3</sup>	SERIAL NO: 99420-232 CRN:	
SURFACE AREA OF TUBES INCLUDING FINN:	549 m <sup>2</sup>	YEAR BUILT:	2000
WEIGHT EMPTY: (SEE NOTE #107)*	1600 kg	LSD NO.:	-
WEIGHT FULL OF WATER:	1736 kg	CODE:	ASME SECT VIII DIV I, '98, ADDENDA '99
SURFACE PREPARATION:		MAX. DES. PRES.:	8908 kPag
PRIMER:	PNT 12	DESIGN TEMP:	176 °C
FINISH PAINT:		CORR. ALLOW:	3.18 mm
INSULATION:	NONE	HYDROTEST:	13362 kPag
PROD. IMPACT TEST REQ'D:	NO	MDMT:	-28 °C
MECH. LOADS GOV. PER UG22:	NO		8908 kPag
IMPACT TEST:	NO - PER UG20(f) ucs-86(a); ucs-86(c)	MATERIAL: HDR BOXES:	SA-516-70N
		TUBES:	(SMLS) SA-179
		RADIOGRAPHY:	N/A
			EXCEPT FULL ON FLG/PIPE WELDS ON NOZZLE
SHIP LOOSE:	NO	P.W.H.T.:	YES
SERVICE:	NATURAL GAS		MINIMUM TEMP: 584 °C FOR TIME: 1 Hr
QWP: 590.2			
TACK, PRES/STRUCT WELDS	102, 110		
STRUCT TO STRUCT WELDS	101, 109		

MATERIAL NOTES	
1	U.T. EXAMINATION REQUIRED IN STRICT ACCORDANCE WITH SA-435 ON A 51 mm (2") GRID AND SUPPLEMENTARY EXAMINATION TO SA-577.
2	MATERIAL HARDNESS AFTER STRESS-RELIEVING (INCLUDING WELD METAL & HAZ) SHALL NOT EXCEED HRC-22

TRANSFER TO DWG.# D-BDL-00424-232 (SHT. 1)

SADDLED COUPLING	NOZZLE ABUTTED	PIPE TO FLANGE/FITTING
1. WPS# 102,108,110	2. WPS# 102,108,110	3. WPS# 104,106,110

GENERAL NOTES	
101. ALL WELDING INCLUDING SLIDE T-BAR SHOULD BE COMPLETED, AND ALL PLOT HOLES SHOULD BE DRILLED BEFORE THE HEADER BOX IS STRESS-RELIEVED.	104. REMOVE ALL SHARP EDGES & BURRS.
102. TUBE AND PLUG SHEET HOLES SHOULD BE FINISHED ONLY AFTER STRESS-RELIEVING. ALL AFTER STRESS-RELIEVING THERE SHOULD BE NO WELDING ON THE HEADER BOXES, THE INLET/OUTLET HEADER BOX CAN BE WELDED INTO THE CHANNEL ASSEMBLY BY WELDING THE SLIDE T-BAR (NOT THE HEADER BOX ITSELF) TO THE SIDE CHANNELS. DO NOT WELD THE RETURN HEADER BOX, IT SHOULD BE FREE TO SLIDE.	105. ALL BOLT HOLES FOR ATTACHING THE BUNDLE TO THE COOLER STRUCTURE SHOULD BE DRILLED ON ASSEMBLY.
103. WEIGHT ACCOUNT FOR POSSIBLE CHANGE TO 14 ERWG TUBES.	106. MAG-PARTICLE REQUIRED ON PLATE EDGE PREPARATIONS AND PERIPHERAL EDGES BOTH BEFORE & AFTER WELDING PER UG-93(a).

GENERAL NOTES	
1	ISSUED FOR CONSTRUCTION
2	TRANSFER TO JOB #00424
3	ITEM #6 WAS 16 BWG

APPROVED		DRAWN	
MECH/STRUCT. S. ISAACS	BY	L.B./LEE	
DATE 00/05/11	DATE	00/04/27	
ELECTRICAL	CHECKED		
DATE	BY	J. DELORME	
PROJECT P.CRAWFORD	DATE	00/05/11	
DATE 00/05/24	SCALE	AS NOTED	

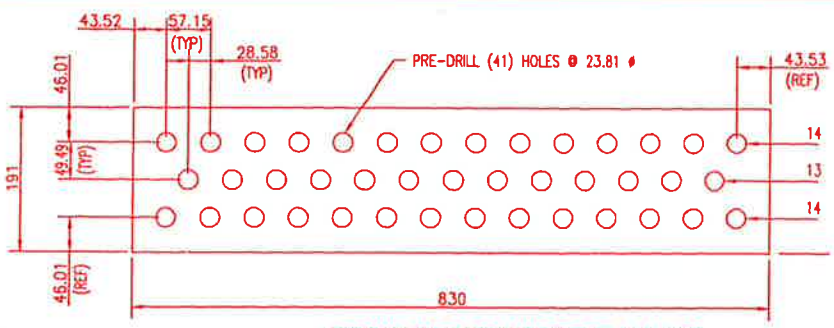
REVISION	
No.	REVISION
1	ISSUED FOR CONSTRUCTION
2	TRANSFER TO JOB #00424
3	ITEM #6 WAS 16 BWG

PROPAC SYSTEMS LTD.	
STOCK 1380 HP COMPRESSOR, M/N W 1380, 6HOS-3	
2nd STAGE INTERCOOLER	
AC-211	
DWG. No.: D-BDL-99420-232	SHT. 1 OF 2
	REV. 3

**PROPAC**  
440 East Lake Road,  
Postal Bag #2  
Airdrie, Alberta  
Canada T4B 2C3

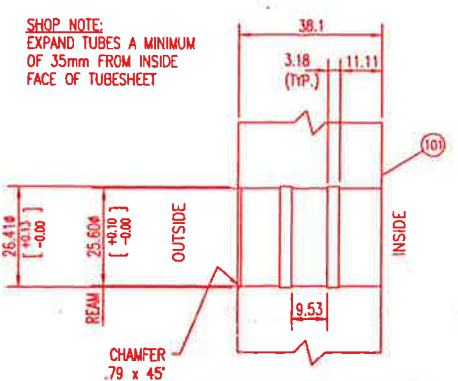


THIS DRAWING AND THE DESIGN IT EMBODIES ARE CONFIDENTIAL AND THE PROPERTY OF PROPAK SYSTEMS LTD., AND SHALL NOT BE DISCLOSED TO OTHERS OR REPRODUCED IN ANY MANNER OR USED FOR ANY PURPOSE WHATSOEVER EXCEPT BY WRITTEN CONSENT OF PROPAK.

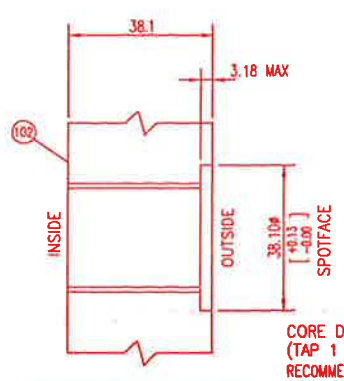


**TUBESHEET/PLUGSHEET LAYOUT**  
SCALE 1:5

- ⑩① (2)-TUBESHEETS REQUIRED
- ⑩② (2)-PLUGSHEETS REQUIRED



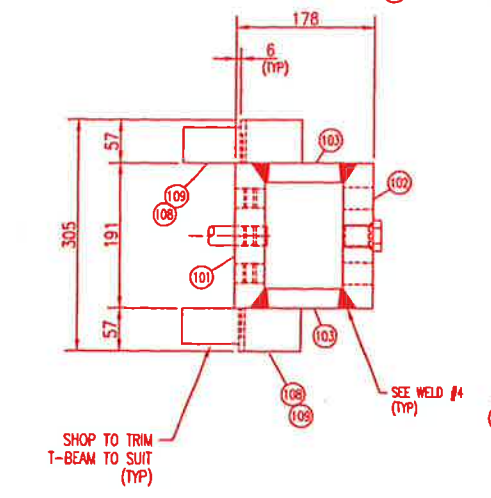
**TUBESHEET HOLES**  
SCALE 1:1



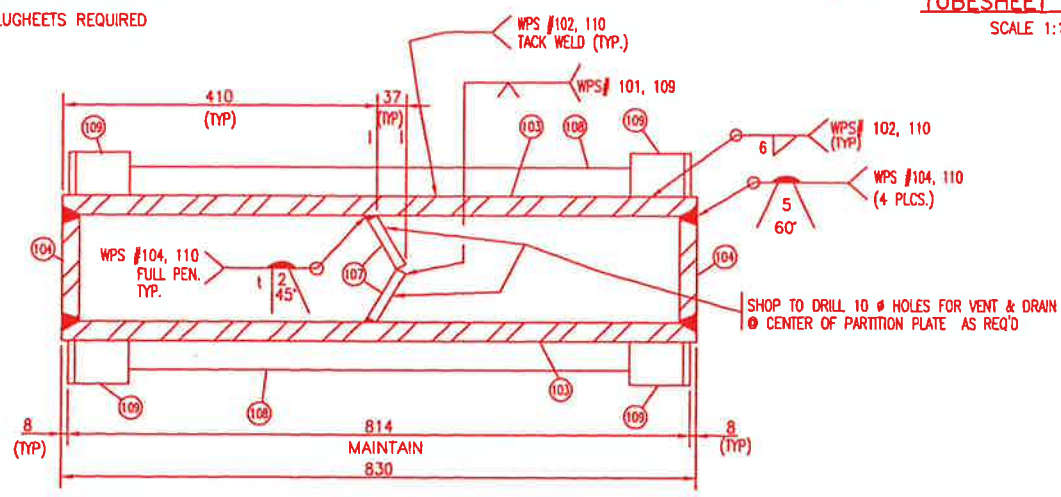
**PLUGSHEET HOLES**  
SCALE 1:1

CORE DRILL 26.29 (1.035") Ø  
(TAP 1 1/8"-12 UNF 2B)  
RECOMMENDED INSTALLATION TORQUE  
ON EACH HEX HEAD SHOULDER PLUG: 300 FT-LB  
\*KOPR-KOTE ANTI-SEIZE COMPOUND TO  
BE USED AS A THREAD LUBRICANT.\*

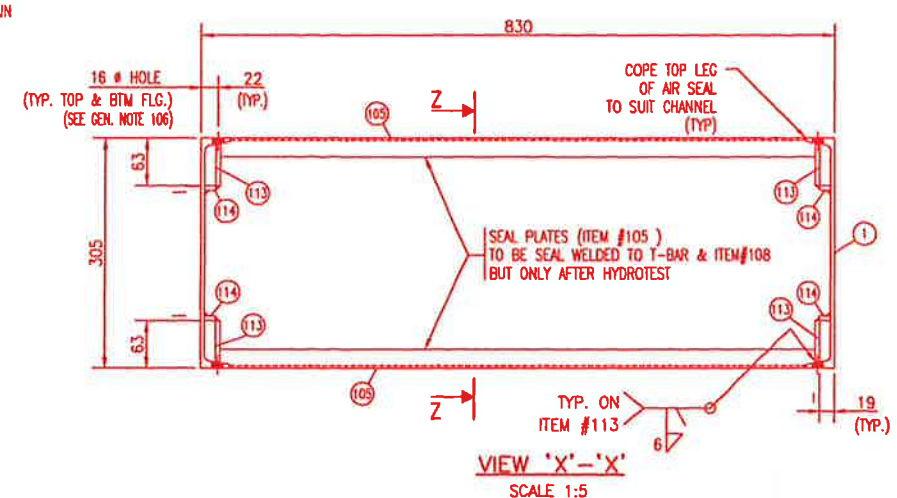
BILL OF MATERIAL			
ITEM	QUA	DESCRIPTION	
101	2	TUBESHEET - PLATE: 38.1 THK. x 191 DEEP x 830 LG. (C.T.S)	SA-516-70N
102	2	PLUGSHEET - PLATE: 38.1 THK. x 191 DEEP x 830 LG. (C.T.S)	SA-516-70N
103	4	PLATE: 25.4 THK. x 92 x 830 LG.	SA-516-70N
104	4	PLATE: 22.23 THK. x 92 x 130 LG. (C.T.S.)	SA-516-70N
105	4	AIR SEAL: PRE-FORMED ANGLE: 3 THK x 25 x 114 x 784 LG (SEE DETAIL)	SA-36
106			
107	2	PLATE: 13 THK. x 102 x 74 LG.	SA-516-70
108	4	FLAT BAR: 3 THK. x 38 x 653 LG.	G40.21M-300W
109	8	WT 75 x 15 kg/m x 57 LG.	SA-36
110			
111	12	FLAT BAR: 6 THK. x 89 x 51 LG.	G40.21M-300W
112			
113	4	FLAT BAR: 6 THK. x 25 x 55 LG.	G40.21M-300W
114	4	FLAT BAR: 6 THK. x 25 x 14 LG.	G40.21M-300W
115	12	FORMED SECTION: FLAT BAR 3 THK. x 51 x 300 LG. (F. & C.T.S.)	G40.21M-300W
116	24	M/C BOLTS 13 Ø UNC x 38 LG. c/w WASHER, LOCK WASHER & NUT EA. (ZINC PLATED)	SA-325
117	18	ALUMINUM WRAP: 38 WD x 24 Go. x 1300 (C.T.S.)	ALUMINUM



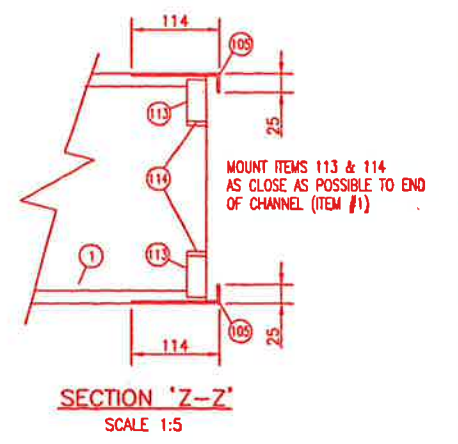
**INLET/OUTLET HEADER BOX DETAIL**  
(VIEWED FROM PLUG SIDE)  
SCALE 1:5



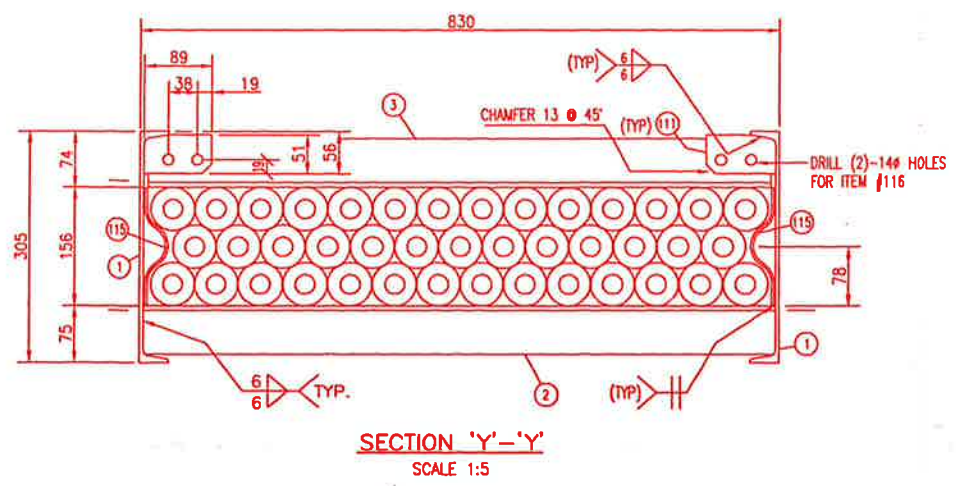
**RETURN HEADER BOX DETAIL**  
SCALE 1:5



**VIEW 'X'-'X'**  
SCALE 1:5



**SECTION 'Z'-'Z'**  
SCALE 1:5

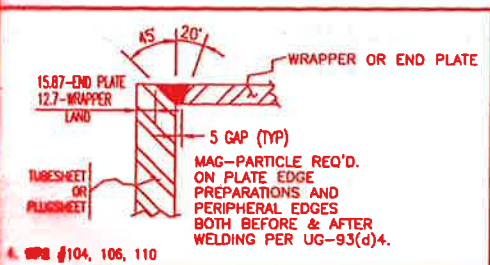


**SECTION 'Y'-'Y'**  
SCALE 1:5

**ALUMINUM WRAP AT SUPPORTS #1, #3, #5**  
SCALE 1:7.5

**ALUMINUM WRAP AT SUPPORT #2, #4 & #6**  
SCALE 1:7.5

△ TRANSFER TO DWG.# D-BDL-00424-232 (SHT. 2)



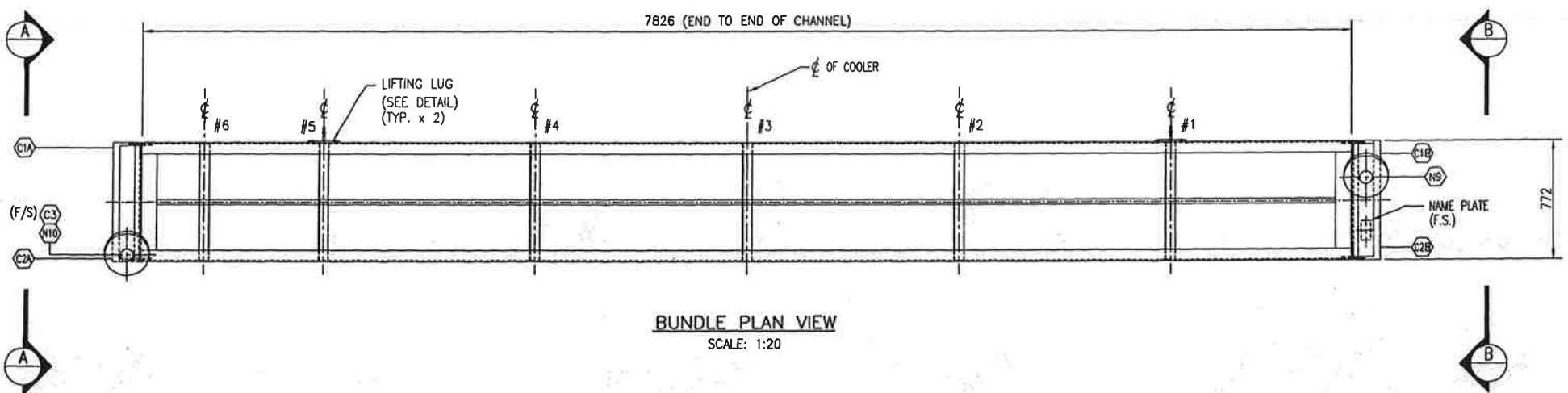
SEE SHT. 1 FOR GENERAL NOTES & MATERIAL NOTES

GENERAL NOTES		GENERAL NOTES		REVISION		APPROVED		DRAWN		PROJECT	
DATE: 2000.10.05 1:43pm FILE NAME: J:\jobs99\DWG\99420\Cir\BDL-99420-232-02.dwg		2 TRANSFER TO JOB #00424		1 ISSUED FOR CONSTRUCTION		G. CHIN		I.B./L.LEE		STOCK 1380 HP COMPRESSOR, M/N W 1380, 6HOS-3	
						L.LEE 00/05/24		DATE 00/04/27		2nd STAGE INTERCOOLER	
						JIN D. PAUL C.		CHECKED		AC-211	
						BY DATE CKD ENG		BY J. DELORME		DWG. No.: D-BDL-99420-232	
								DATE 00/05/11		SHT. 2 OF 2 REV. 2	
								SCALE AS NOTED			

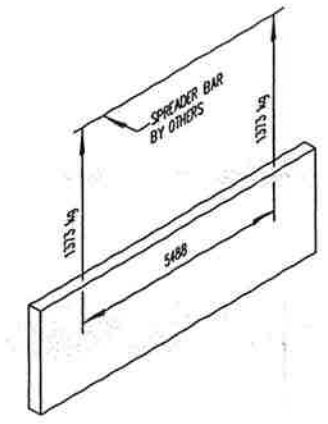
**PROPAK**  
440 East Lake Road,  
Postal Bag #2  
Airdrie, Alberta  
Canada T4B 2C3

TO OTHERS OR REPRODUCED IN ANY MANNER OR USED FOR ANY PURPOSE WHATSOEVER EXCEPT BY WRITTEN CONSENT OF PROPAC.

NOZZLE SCHEDULE									
MK	SIZE	RATING	FACING	SCH	SERVICE		PROJ	WELD	
N9	114	900#	RFWN	XXH	INLET		254	-	
N10	114	900#	RFWN	XXH	OUTLET		254	-	
A/B	C1	29	SHDR PLUG	12UNF	-	VENT	-	-	
A/B	C2	29	SHDR PLUG	12UNF	-	DRAIN	-	-	
	C3	27	6000#	NPT	-	TC w/PLUG	-	-	

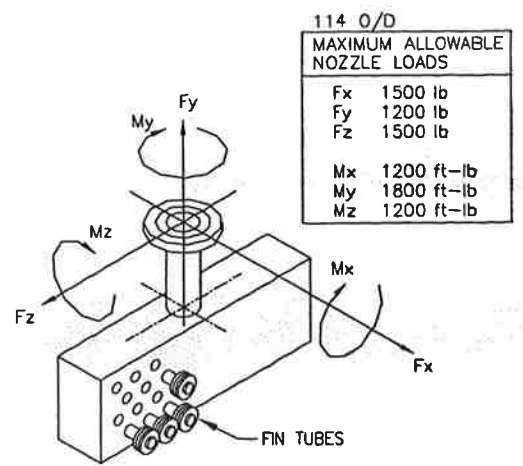


**BUNDLE PLAN VIEW**  
SCALE: 1:20

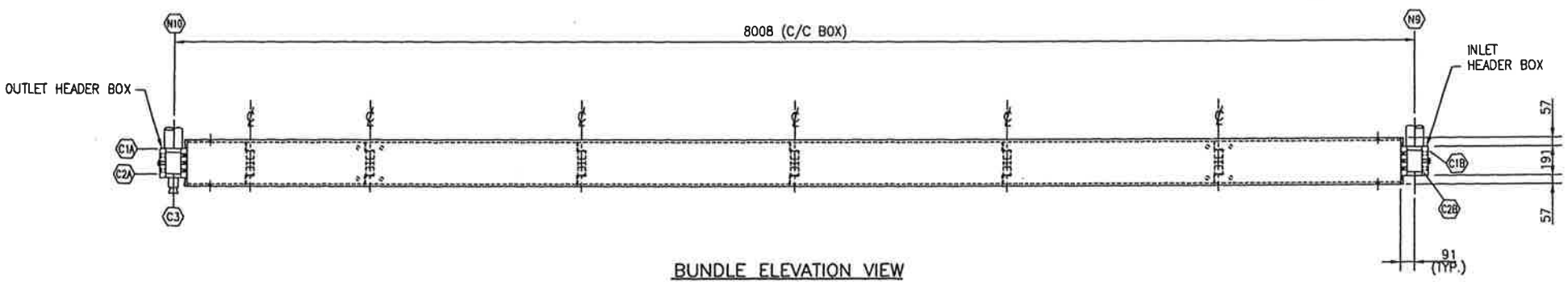


NOTE:  
WEIGHTS SHOWN IN DIAGRAM INCLUDE 50% EXCESS FOR DYNAMIC LOADING  
LIFTING DIAGRAM WEIGHT w/o IMPACT LOAD: 1830 KG

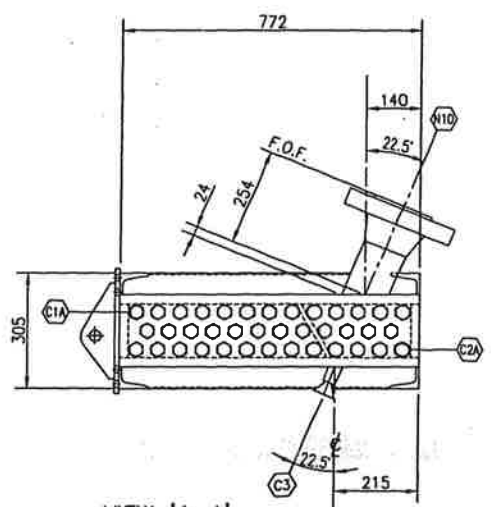
**LIFTING DIAGRAM**  
FOR AC-212



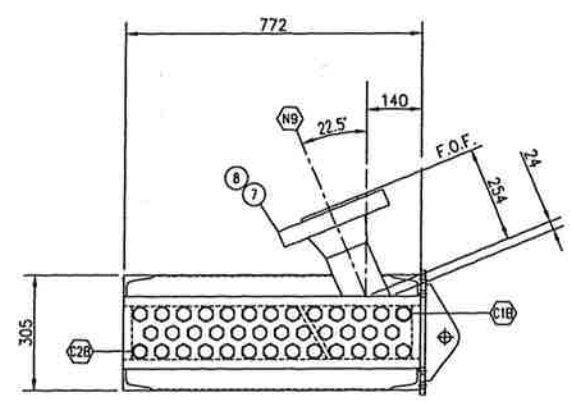
**MAXIMUM ALLOWABLE NOZZLE LOADS**  
FOR AC-212



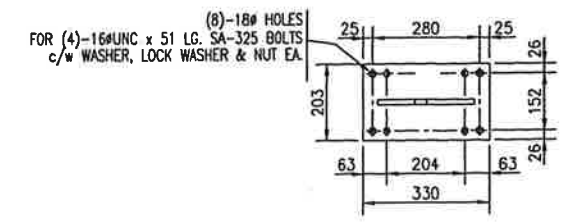
**BUNDLE ELEVATION VIEW**  
SCALE: 1:20



**VIEW 'A-A'**  
SCALE: 1:10



**VIEW 'B-B'**  
SCALE: 1:10



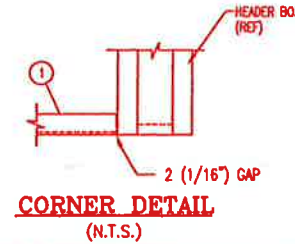
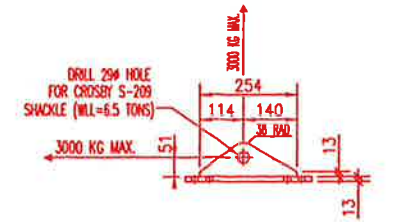
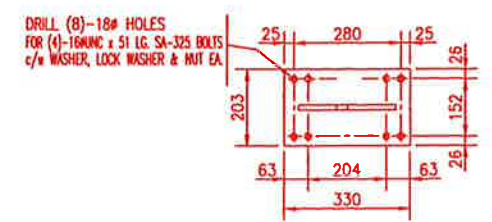
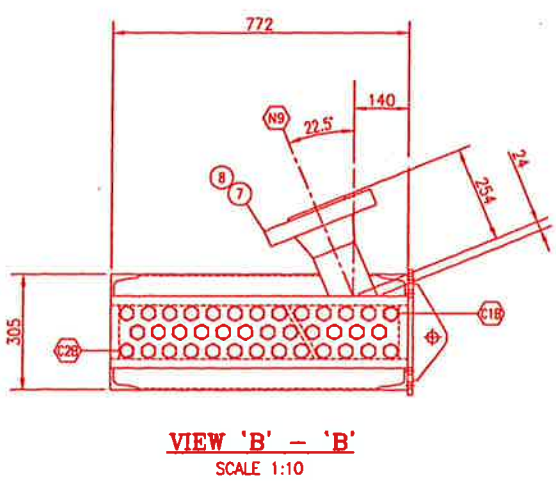
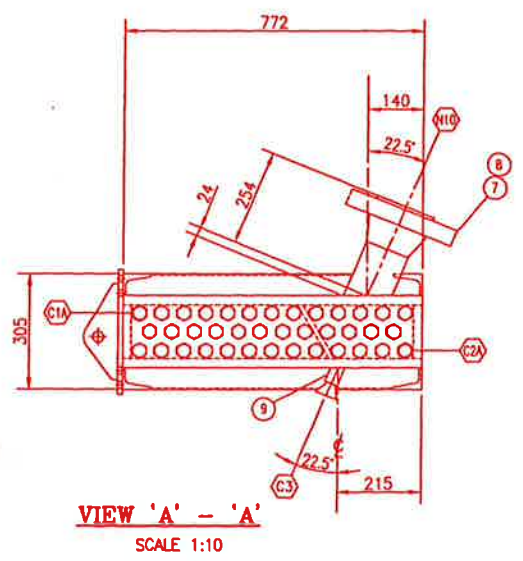
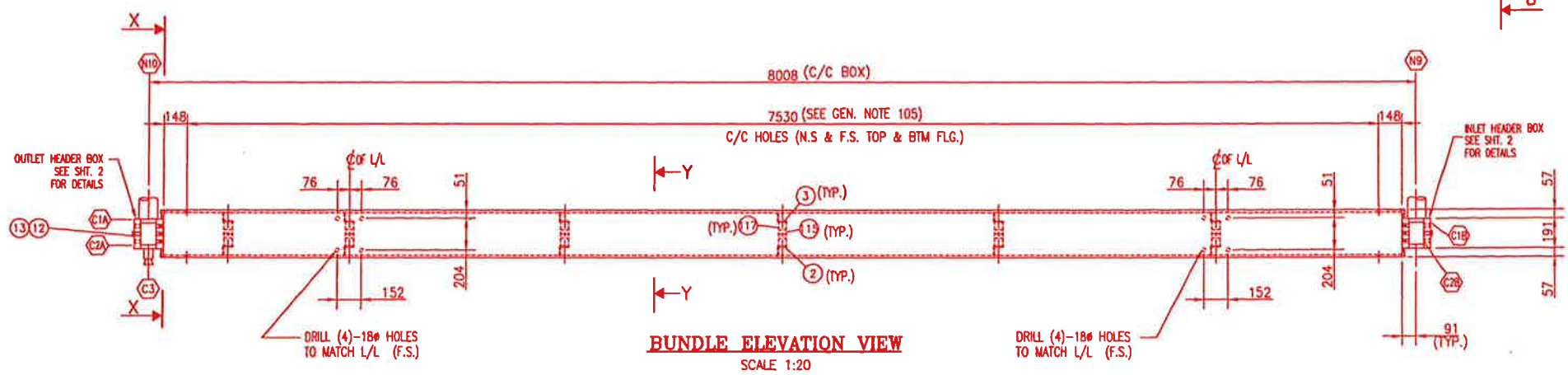
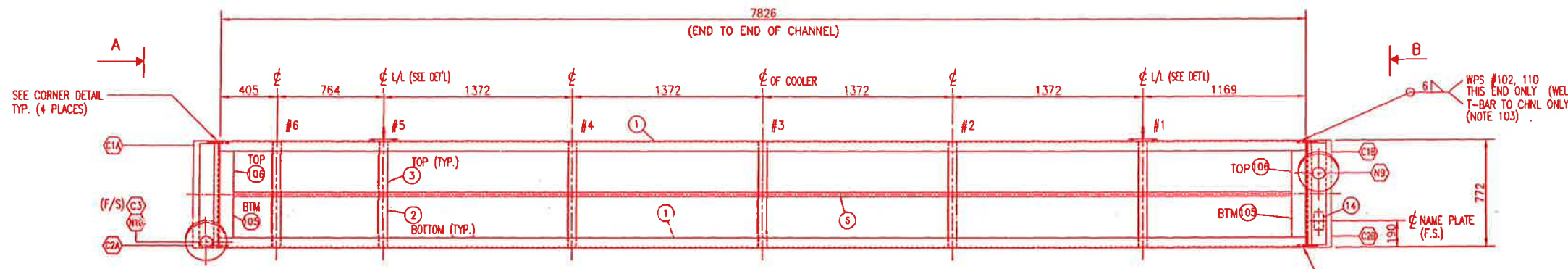
**REMOVABLE LIFTING LUG DETAIL**  
(2)-REQ'D.  
(REUSEABLE)  
SCALE: 1:10

- NOTES:
- Holes spaced 204 apart are for 305 DEEP SIDE CHANNEL. HOLES 280 APART ARE FOR 381 SIDE CHANNEL.
  - SHACKLE HOLE IS DESIGNED SO THAT THE BOTTOM OF THE SUSPENDED BUNDLE WILL "KICK OUT" SLIGHTLY TO AID IN PLACEMENT.
  - LUG SHOULD BE PERMANENTLY MARKED "2000 KG CAPACITY. (3000 KG DYNAMIC LOADING)".
  - ALWAYS USE 2 LUGS FOR LIFTING.
  - A SPREADER BAR IS REQ'D. TO ENSURE STRAIGHT UP LIFT.
  - ALL MATERIALS SA-36.

CAPACITY:	0.123 m <sup>3</sup>	SERIAL NO:	99420-231 CRN:
SURFACE AREA OF TUBES INCLUDING FIN:	508.36 m <sup>2</sup>	YEAR BUILT:	2000
WEIGHT EMPTY:	1830 kg	LSD NO.:	-
WEIGHT FULL OF WATER:	1953 kg	CODE:	ASME SECT VIII DIV I, '98, ADDENDA '99
SURFACE PREPARATION:		MAX. DESIGN PRESSURE:	11377 kPag
PRIMER:	PNT 12	DESIGN TEMP:	177 °C
FINISH PAINT:		CORR. ALLOW:	3.18 mm
INSULATION:	NONE	HYDROTEST:	17065 kPag
PRODUCTION IMPACT TEST REQ'D:	NO	MIN w DESIGN METAL TEMP:	-28 °C
MECH LOADINGS GOVERN PER UG 22:	NO		11377 kPag
IMPACT TEST:	NO - PER UG20(f); UCS-66(e) UCS-66(c)	MATERIAL: HEADERS:	SA-516-70N
		TUBES:	(SMLS) SA-179
		RADIOGRAPHY:	N/A
			EXCEPT FULL ON FLG/PIPE WELDS OF NOZZLE
SHIP LOOSE:	NO	P.W.H.T.:	YES
SERVICE:	NATURAL GAS	MINIMUM TEMP:	593 °C
		FOR TIME:	1 hr
		"SOUR SERVICE"	MATERIAL HARDNESS AFTER STRESS-RELIEVING (INCLUDING WELD METAL AND HAZ)
		TAG NO:	AC-212
			SHALL NOT EXCEED HRC-22

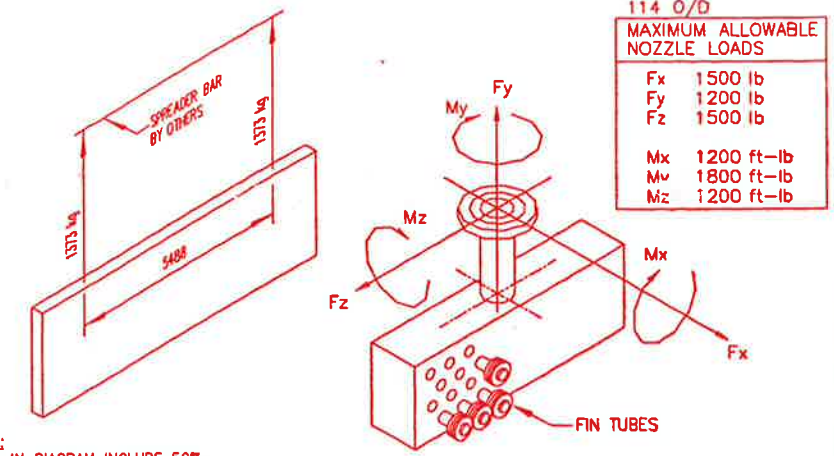
GENERAL NOTES				GENERAL NOTES				APPROVED				DRAWN				APACHE CANADA LIMITED			
DATE: 2000.09.26 8:29am FILE NAME: j:\jobs99\DWG\99420\Comp\Misc\BDL-99420-231-SKT-01.dwg				SKT ISSUED FOR DOCUMENTATION				D. DOR 00/09/15 VK SW				MECH./STRUCT. BY DATE				1478 HP HAMBURG COMPRESSOR PACKAGE			
No.				REVISION				BY DATE CKD ENG				ELECTRICAL BY DATE				3rd STAGE GAS AFTERCOOLER			
												PROJECT DATE				AC-212			
												DATE				DWG. No.: D-BDL-99420-231-SKT SHT. 1 OF 1 REV. SKT			
												SCALE AS NOTED				440 East Lake Road, Postal Bag #2 Airdrie, Alberta Canada T4B 2C3			

THIS DRAWING AND THE PROPERTY OF PROPAK SYSTEMS LTD., AND SHALL NOT BE DISCLOSED TO OTHERS OR REPRODUCED IN ANY MANNER OR USED FOR ANY PURPOSE WHATSOEVER EXCEPT BY WRITTEN CONSENT OF PROPAK.



△ TRANSFER TO DWG.# D-BDL-00424-231 (SHT. 1)

NOZZLE SCHEDULE									
MK	SIZE	RATING	FACING	SCH	SERVICE	PROJ	WELD		
N9	114	900#	RFWN	XXH	INLET	254	2/3		
N10	114	900#	RFWN	XXH	OUTLET	254	2/3		
A/B	C1	29	SILDR PLUG	1/2UNF	VENT	-	-		
A/B	C2	29	SILDR PLUG	1/2UNF	DRAIN	-	-		
	C3	27	6000#	NPT	TC w/PLUG	-	1		



NOTE:  
WEIGHTS SHOWN IN DIAGRAM INCLUDE 50% EXCESS FOR DYNAMIC LOADING  
LIFTING DIAGRAM WEIGHT w/o IMPACT LOAD: 1830 KG.

MATERIAL NOTES	
◆	U.T. EXAMINATION REQUIRED IN STRICT ACCORDANCE WITH SA-435 ON A 51 mm (2") GRID AND SUPPLEMENTARY EXAMINATION TO SA-577.
◆	MATERIAL HARDNESS AFTER STRESS-RELIEVING (INCLUDING WELD METAL & HAZ) SHALL NOT EXCEED HRC-22

BILL OF MATERIAL		
ITEM	QUA	DESCRIPTION
1	2	SIDE CHANNELS: C310 @ 31 kg/m x 7826 LG. G40.21M-300W
2	6	BTM. TUBE SUP'T: L 64 x 64 x 6 THK. x 758 LG. G40.21M-300W
3	6	TOP TUBE SUP'T: L 64 x 64 x 6 THK. x 746 LG. G40.21M-300W
4		
5		
6	38	TUBES (SMLS): 25# x 14 B.W.G. W.T. x 7925 LG c/w L-TENSION ALUMINUM FIN SA-179 0.4 THK x 16 HIGH @ 394 FINS/m, & 67mm STRIP BACK EACH END.
7	2	FLG: 114 - 900# RFWN SCH XXH BORE SA-105N
8	2	PIPE (SMLS) 114 O/D x 17.12 W.T. x 160 LG (C.T.S.) SA-106-B
9	1	CPLG: 27 - 6000# NPT c/w PLUG SA-105N
10		
11		
12	76	GASKET: 35 (1 3/8") O/D x 29 (1 1/8") I/D x 1.59 (1/16") THK. MAX BHN 110 C1010/20
13	76	HEX STEEL SHOULDER PLUG: 29 (1 1/8") @ - (12 UNF) x 25 (1") LG. SA-105N
14	1	NAME PLATE c/w MOUNTING BRACKET SS/SA-36
15		
16		
17		
18		
19		
20		
21		

NOTE: THE FOLLOWING SUBSTITUTIONS ARE PERMITTED (THE OPPOSITE NOT ALLOWED)		
SA-350-LF2 for SA-105, SA-333-Gr6 for SA-106-B, SA-420-WPL6 for SA-234-WPB		
CAPACITY:	0.123 m <sup>3</sup>	SERIAL NO: 99420-231 CRN:
SURFACE AREA OF TUBES INCLUDING FINNS:	508.36 m <sup>2</sup>	YEAR BUILT: 2000
WEIGHT EMPTY:	1830 kg	LSL NO.:
WEIGHT FULL OF WATER:	1953 kg	CODE:
SURFACE PREPARATION:		ASME SECT VIII DIV I, '98, ADDENDA '99
PRIMER:	PNT 12	MAX. DESIGN PRESSURE:
FINISH PAINT:		11377 kPag
INSULATION:	NONE	DESIGN TEMP:
PRODUCTION IMPACT TEST REQ'D:		177 °C
		CORR. ALLOW:
		3.18 mm
		HYDROTEST:
		17065 kPag
		MIN. DESIGN METAL TEMP:
		-28 °C
		● 11377 kPag
MECH LOADINGS GOVERN PER UG 22: NO		MATERIAL: HEADERS:
		SA-516-70N
		TUBES:
		(SMLS) SA-179
		RADIOGRAPHY:
		N/A
		EXCEPT FULL ON FLG/PIPE WELDS OF NOZZLE
SHIP LOOSE:	NO	P.W.H.T.:
SERVICE:	NATURAL GAS	YES
QWP: 590.2		MINIMUM TEMP: 503 °C
QCP: AQP-1050(S) : AQP-1227(S)		FOR TIME: 1 Hr
TACK, PRES/STRUCT WELDS 102, 110		MATERIAL HARDNESS AFTER STRESS-RELIEVING (INCLUDING WELD METAL AND HAZ) SHALL NOT EXCEED HRC-22
STRUCT TO STRUCT WELDS 101, 109		
		<b>SOUR SERVICE</b>
		TAG NO: AC-212

SADDLED COUPLING	NOZZLE ABUTTED	PIPE TO FLANGE/FITTING
1. WPS# 102, 108, 110	2. WPS# 102, 108, 110	3. GMAW ROOT PASS

GENERAL NOTES	
101. ALL WELDING INCLUDING THE SLIDE T-BAR SHOULD BE COMPLETED AND ALL PILOT HOLES SHOULD BE DRILLED BEFORE THE HEADER BOX IS STRESS-RELIEVED.	104. REMOVE ALL SHARP EDGES AND BURRS.
102. TUBE & PLUG SHEET HOLES SHOULD BE FINISHED ONLY AFTER STRESS-RELIEVING.	105. ALL BOLT HOLES FOR ATTACHING THE BUNDLE TO THE COOLER STRUCTURE SHOULD BE DRILLED ON ASSEMBLY.
103. AFTER STRESS-RELIEVING, THERE SHOULD BE NO WELDING ON THE HEADER BOXES, THE INLET HEADER BOX CAN BE WELDED INTO THE CHANNEL ASSEMBLY BY WELDING THE SLIDE T-BAR INTO THE HEADER BOX ITSELF TO THE SIDE CHANNELS. DO NOT WELD THE OUTLET HEADER BOX. IT SHOULD BE FIRST TO SLIDE.	106. MAG-PARTICLE REQUIRED ON PLATE EDGE PREPARATIONS AND PERIPHERAL EDGES BOTH BEFORE & AFTER WELDING PER UG-93(d).4.
	107. COPIED FROM JOB #99404

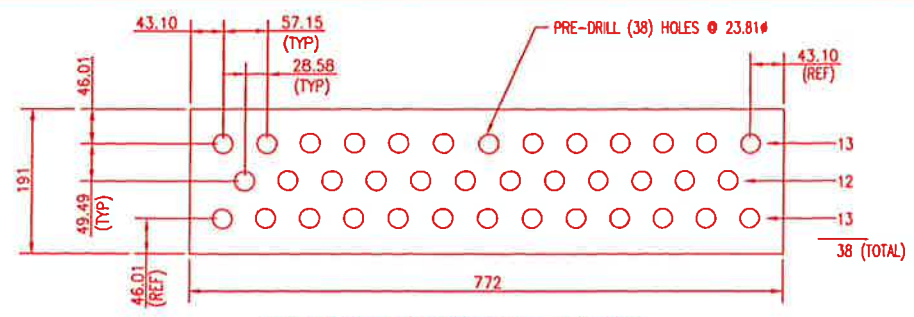
GENERAL NOTES	
2	TRANSFER TO JOB #00424
1	ISSUED FOR CONSTRUCTION

APPROVED		DRAWN	
MECH./STRUCT. S. ISAACS	BY G. CHIN	DATE 00/05/11	DATE 00/04/27
ELECTRICAL	CHECKED	DATE	BY D. PARTIBLE
PROJECT P. CRAWFORD	DATE 00/05/11	DATE 00/05/24	SCALE AS NOTED
BY G. CHIN	DATE 00/05/24	CKD JD	ENG PC

PROPAK SYSTEMS LTD.	
1380 HP STOCK COMPRESSOR, M/N W 1380, 6HOS-3	
3rd STAGE GAS AFTERCOOLER	
AC-212	
DWG. No.: D- BDL-99420-231	SHT. 1 OF 2
REV. 2	

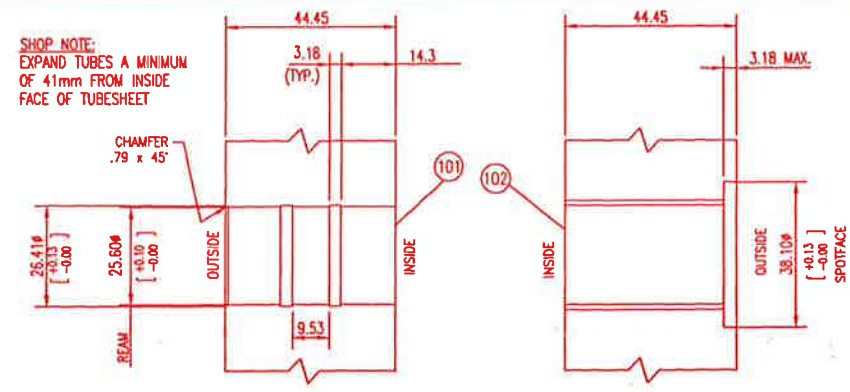
**PROPAK**  
440 East Lake Road,  
Postal Bag #2  
Airdrie, Alberta  
Canada T4B 2C3

THE DESIGN IT CONSIDERS ARE CONFIDENTIAL AND THE PROPERTY OF PROPAK SYSTEMS LTD. AND SHALL NOT BE DISCLOSED TO OTHERS OR REPRODUCED IN ANY MANNER OR USED FOR ANY PURPOSE WHATSOEVER EXCEPT BY WRITTEN CONSENT OF PROPAK.



**TUBESHEET/PLUGSHEET LAYOUT**  
SCALE 1:5

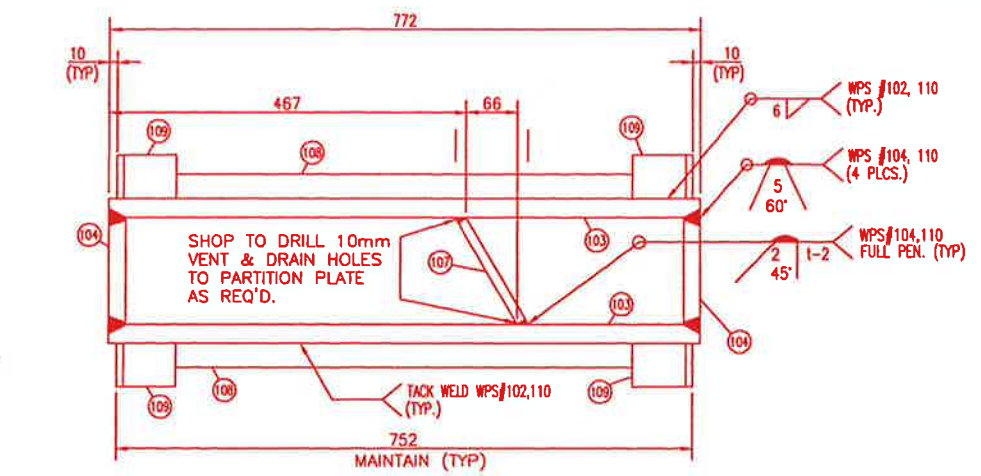
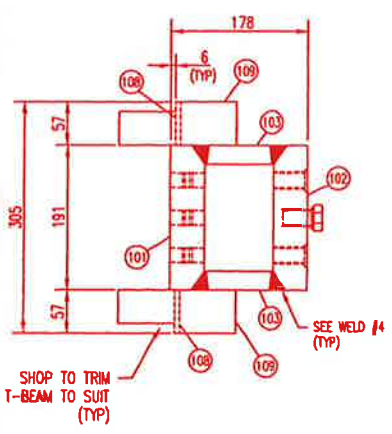
⑩ (2)-TUBESHEETS REQUIRED ⑩② (2)-PLUGSHEETS REQUIRED



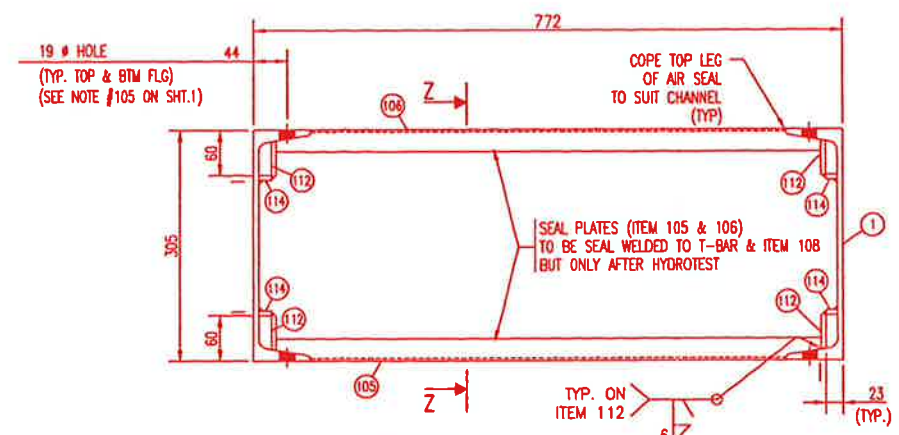
**TUBESHEET HOLES**  
SCALE 1:1

**PLUGSHEET HOLES**  
SCALE 1:1

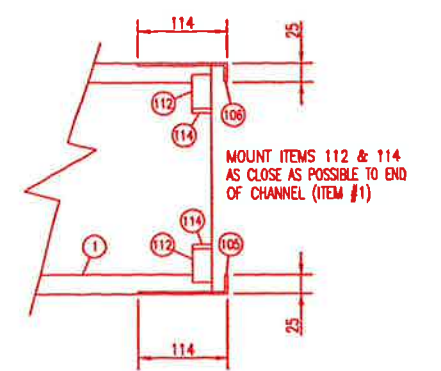
BILL OF MATERIAL			
ITEM	QTY	DESCRIPTION	
101	2	TUBESHEET - PLATE: 44.45 THK. x 191 DEEP x 772 LG.	SA-516-70N
102	2	PLUGSHEET - PLATE: 44.45 THK. x 191 DEEP x 772 LG.	SA-516-70N
103	4	PLATE: 25.4 THK. x 79 WD. x 772 LG.	SA-516-70N
104	4	PLATE: 22.23 THK. x 79 WD. x 130 LG.	SA-516-70N
105	2	BTM. AIR SEAL: PRE-FORMED ANGLE: 3 THK x 25 x 114 x 730 LG (SEE DETAIL)	SA-36
106	2	TOP AIR SEAL: PRE-FORMED ANGLE: 3 THK x 25 x 114 x 730 LG (SEE DETAIL)	SA-36
107	2	PLATE: 13 THK. x 89 x 155 LG.	SA-516-70N
108	4	FLAT BAR: 3 THK. x 38 x 590 LG.	SA-36
109	8	WT 75 x 15 kg/m x 57 LG.	SA-36
110			
111	12	FLAT BAR: 6 THK. x 89 x 44 LG.	G40.21M-300W
112	4	FLAT BAR: 6 THK. x 25 x 45 LG.	G40.21M-300W
113			
114	4	FLAT BAR: 6 THK. x 25 x 16 LG.	G40.21M-300W
115	12	FLAT BAR: 3 THK. x 51 x 300 LG. (C.T.S.)	G40.21M-300W
116	24	M/C BOLTS 13 # UNC x 38 LG. c/w WASHER, LOCK WASHER & NUT EA. (ZINC COATED)	SA-325
117	18	ALUMINUM WRAP: 38 WD x 24 Ga. x 1200 (C.T.S.)	ALUMINUM



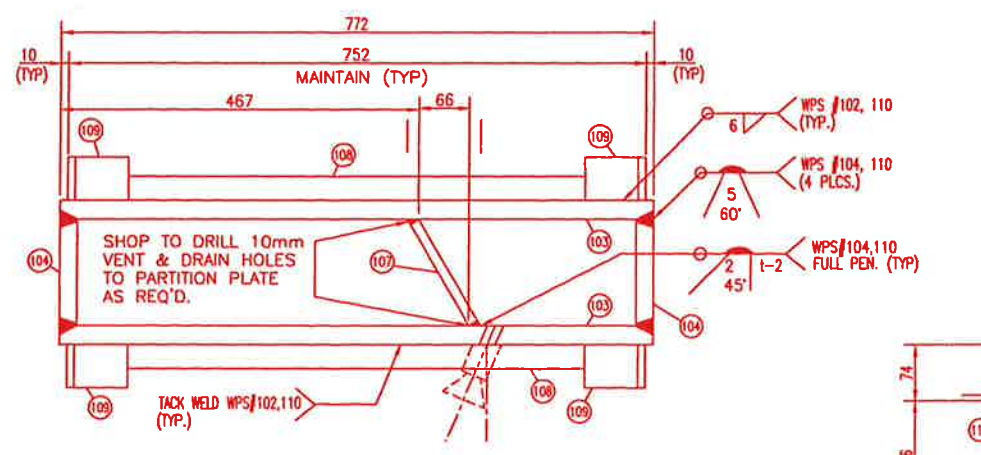
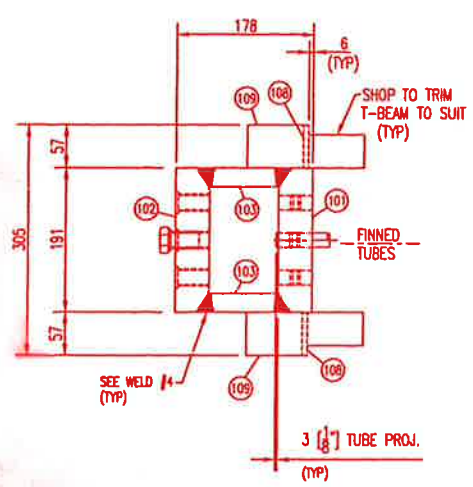
**INLET HEADER BOX DETAIL (VIEWED FROM PLUG SIDE)**  
SCALE 1:5



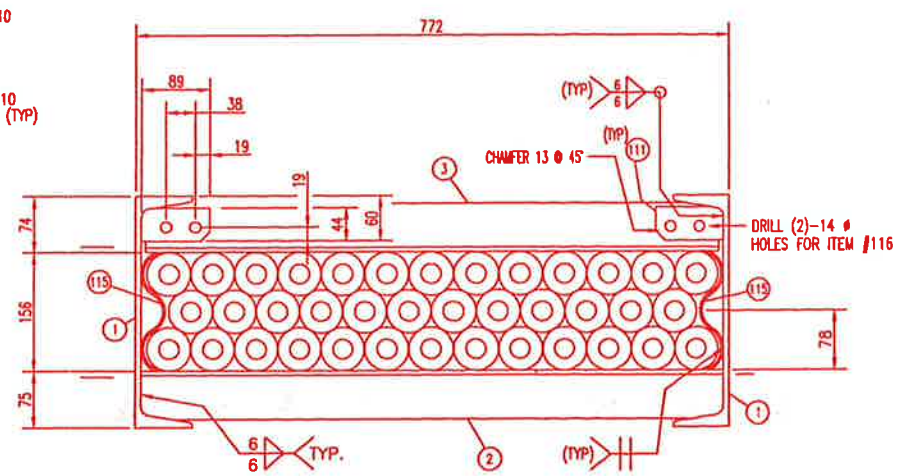
**VIEW 'X'-X'**  
SCALE 1:5



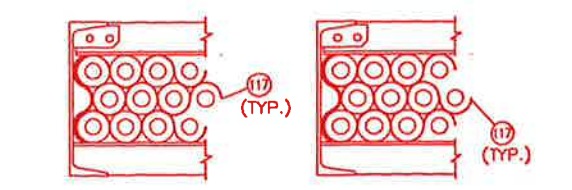
**SECTION 'Z-Z'**  
SCALE 1:5



**OUTLET HEADER BOX DETAIL (VIEWED FROM PLUG SIDE)**  
SCALE 1:5



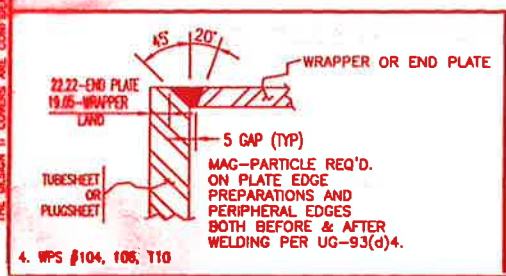
**SECTION 'Y'-Y'**  
SCALE 1:5



**ALUMINUM WRAP AT SUPPORTS #1, #3 & #5**  
SCALE 1:7.5

**ALUMINUM WRAP AT SUPPORT #2, #4 & #6**  
SCALE 1:7.5

△ TRANSFER TO DWG.# D-BDL-00424-231 (SHT. 2)



4. WPS #104, 106, 110

SEE SHT. 1 FOR GENERAL NOTES & MATERIAL NOTES

GENERAL NOTES	
1	TRANSFER TO JOB #00424 ISSUED FOR CONSTRUCTION
2	TRANSFER TO JOB #00424

GENERAL NOTES	
1	TRANSFER TO JOB #00424 ISSUED FOR CONSTRUCTION
2	TRANSFER TO JOB #00424

REVISION	
No.	REVISION
1	TRANSFER TO JOB #00424 ISSUED FOR CONSTRUCTION
2	TRANSFER TO JOB #00424

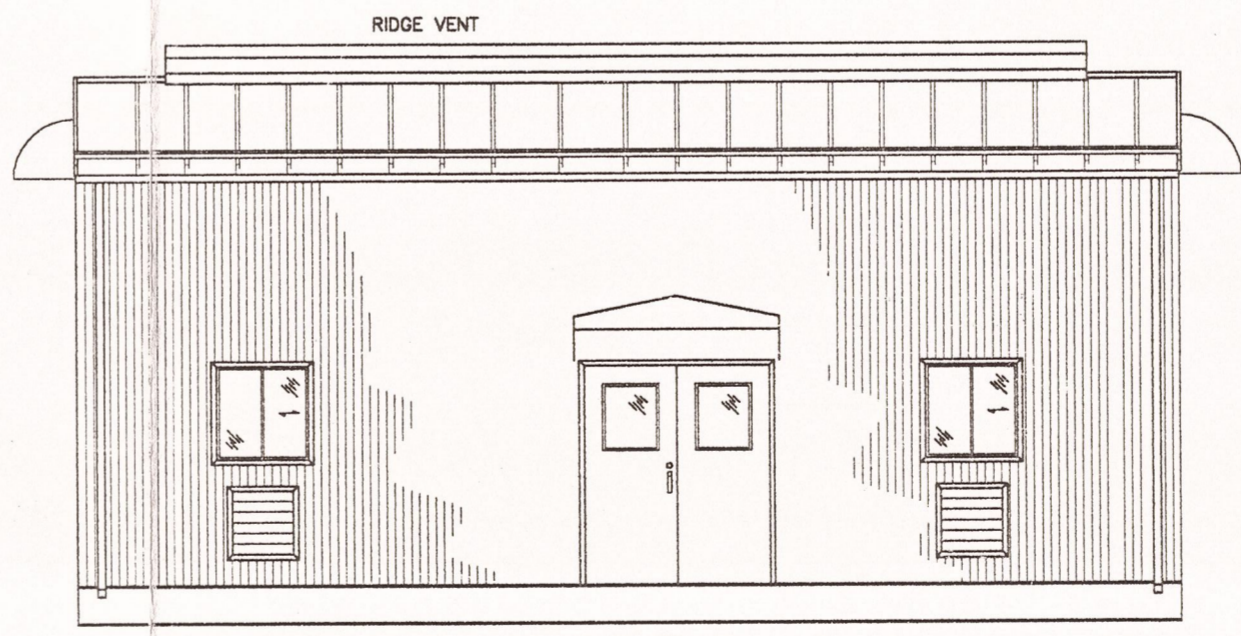
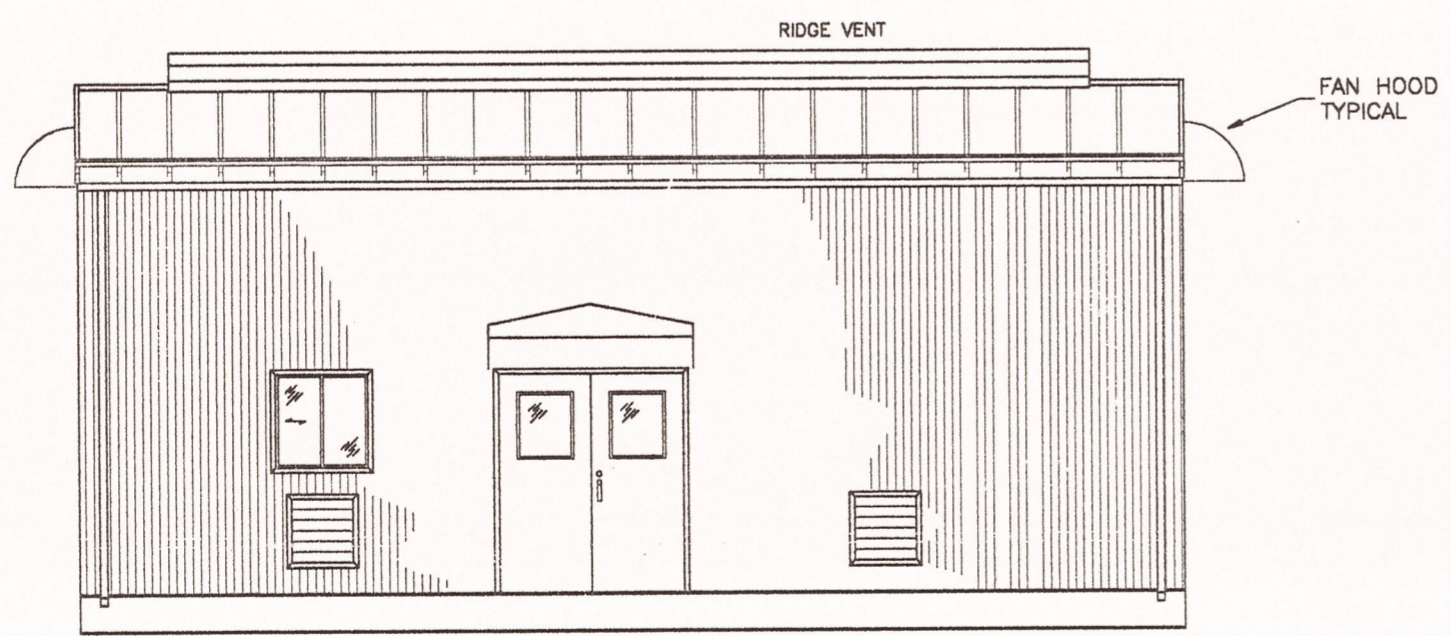
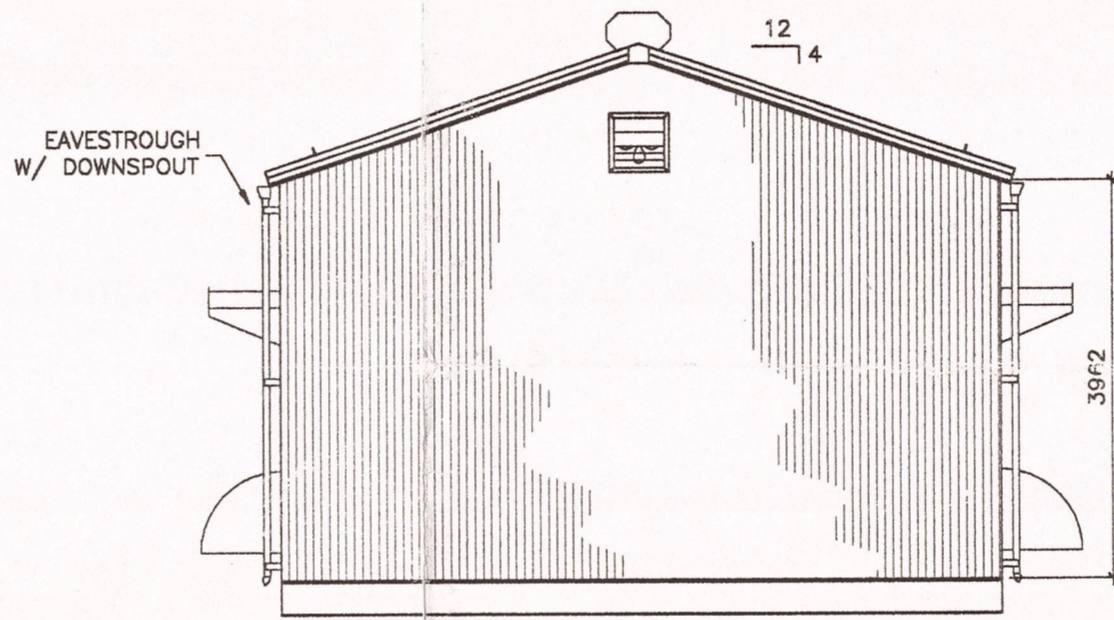
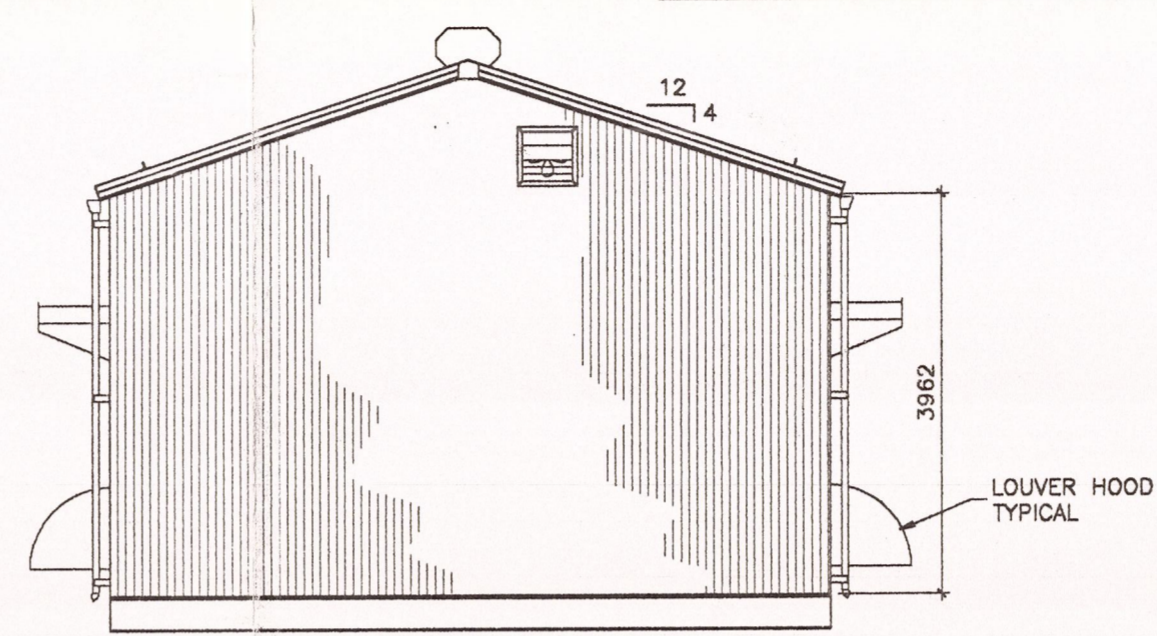
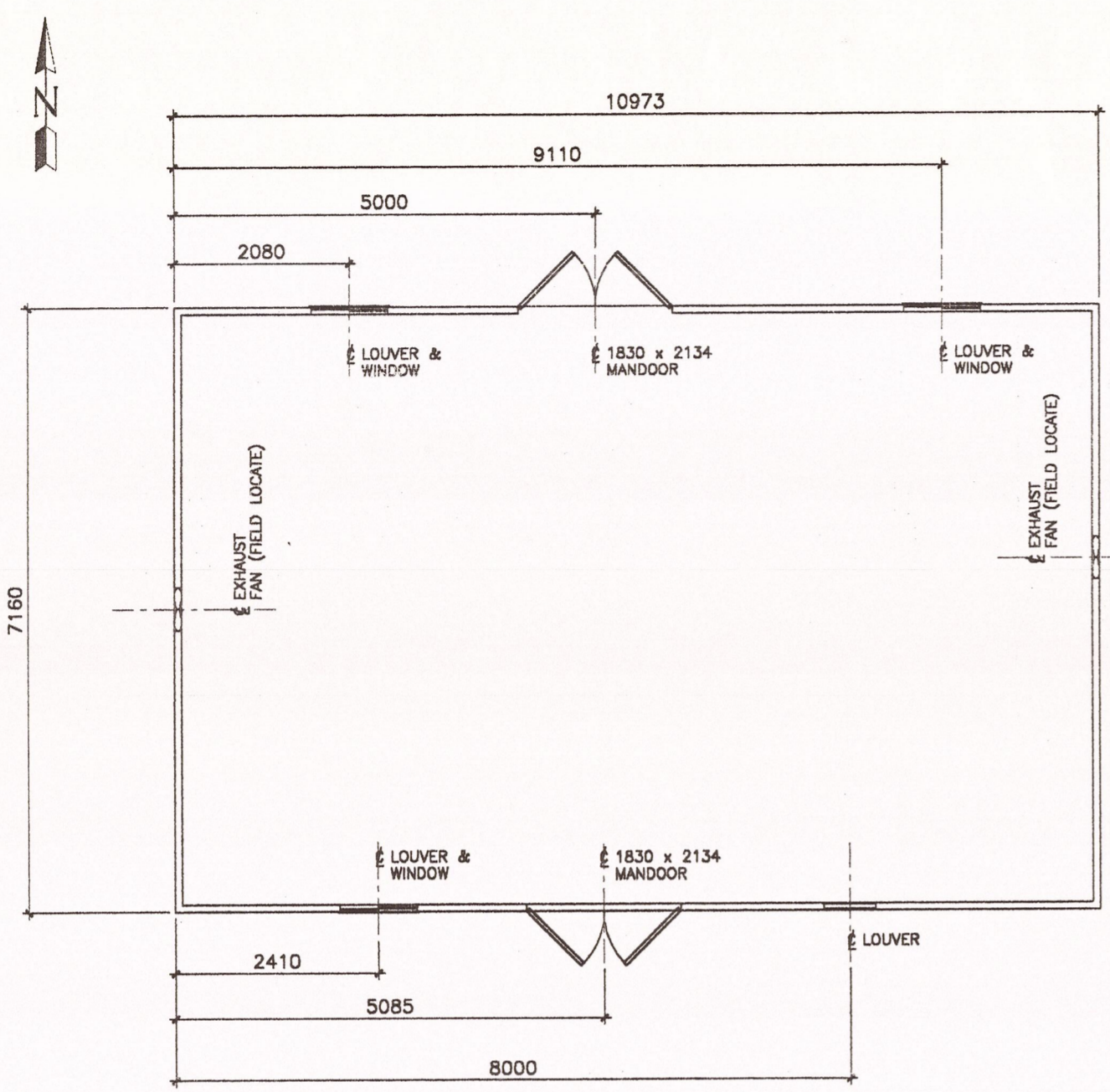
APPROVED		DRAWN	
MECH./STRUCT. S. ISACS	BY G. CHIN	DATE 00/04/27	
DATE 00/05/11		CHECKED	
ELECTRICAL	BY D. PARTIBLE	DATE 00/05/11	
PROJECT P.CRAWFORD	DATE 00/05/24	SCALE AS NOTED	
DATE 00/05/24			

APPROVED		DRAWN	
MECH./STRUCT. S. ISACS	BY G. CHIN	DATE 00/04/27	
DATE 00/05/11		CHECKED	
ELECTRICAL	BY D. PARTIBLE	DATE 00/05/11	
PROJECT P.CRAWFORD	DATE 00/05/24	SCALE AS NOTED	
DATE 00/05/24			

PROPAG SYSTEMS LTD.	
1380 HP STOCK COMPRESSOR, M/N W 1380 6HOS-3 3rd STAGE GAS AFTERCOOLER (AC-212)	
DWG. No.: D-BDL-99420-231	SHT. 2 OF 2 REV. 2

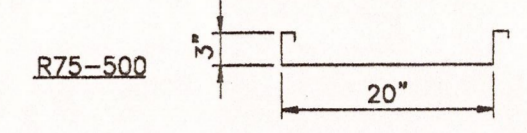
**PROPAG**  
440 East Lake Road,  
Postal Bag #2  
Airdrie, Alberta  
Canada T4B 2C3



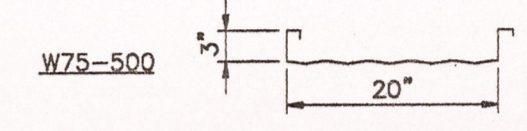


- (F1) 2 ONLY WALL MOUNT EXHAUST FANS, ENERTECH MODEL NO. ET12-2, C/W EXPLOSION PROOF MOTOR BIRD SCREEN & HOOD
- (R1) 2 - ONLY 10973mm CONTINUOUS ICE RAKE, FINISH: GALVANIZED
- (V1) ONE ONLY 9144mm LONG CONTINUOUS RIDGE VENT C/W 152mm THROAT, BIRD SCREEN AND MANUALLY OPERATED DAMPER, FINISH: GALVALUME

**ROOF CONSTRUCTION:**  
 -22 GA. GALVALUME STEEL INTERLOCKING STRUCTURAL RIB ROOF PANELS ( PROFILE R75-500 ). 5000 SERIES PAINT SYSTEM TO COLOUR: "UN-PAINTED"  
 -R 20 ( 6 " ) FIBREGLASS BATT INSULATION C/W 6 MIL POLY VAPOUR BARRIER.  
 -24 GA. WHITE ALUMINUM, FLUTED PROFILE LINER PANEL



**WALL CONSTRUCTION:**  
 -22 GA. GALVALUME STEEL INTERLOCKING STRUCTURAL RIB WALL PANELS ( PROFILE W75-500 ). 5000 SERIES PAINT SYSTEM TO COLOUR: "UNPAINTED"  
 -R 12 ( 3 " ) FIBREGLASS BATT INSULATION C/W 6 MIL POLY VAPOUR BARRIER.  
 -24 GA. WHITE ALUMINUM, FLUTED PROFILE LINER PANEL



**TRIM COLOURS:**  
 -GABLE FLASHING AND HIGHSIDE FASCIA FLASHINGS (SINGLE SLOPE BUILDINGS) AND ALL NOTED FLASHINGS TO BE PREPAINTED 5000 SERIES PAINT SYSTEM TO COLOUR: GALVALUME

- (D1) TWO ONLY 1830 X 2134 STEEL INSULATED DOUBLE WALK-IN DOOR C/W HARDWARE AS FOLLOWS:  
 \*DOOR LEAF-20 GA. STEEL 1.75" THK HONEYCOMB CORE (R4 )  
 \*DOOR FRAME-16 GA. PRESSED STEEL  
 \*BUTT HINGES- "TAYMOR" #25-417ON NRP  
 \*PANIC HARDWARE- "VON-DUPRIN" 44TP  
 \*LOCKCYLINDER- "DOREX" #501CHR KA  
 \*GLASS-.25" X 20" X 24" SINGLE GLAZED  
 \*CHECK CHAIN- "TAYMOR" #25-4850U25  
 \*THRESHOLD- "MAKLOC" 18 GA. PRESSED STEEL  
 \*WEATHERSTRIP- "KN CROWDER" #W-2 ALUM./VINYL  
 \*SWEEP- "SHANAHAN" #DS-9 STEEL/VINYL  
 \*HEADBOLT/FOOTBOLT (INACTIVE LEAF ONLY)  
 \*MAKLOC STANDARD CANOPY

DOOR LEAF FINISH: TAN  
 DOOR FRAME FINISH: TAN

- (W1) 3 ONLY 914 X 914 (NOM. SIZE) DOUBLE GLAZED ALUMINUM SLIDING WINDOW C/W ALUMINUM CENTER LOCK, AND FIBREGLASS CLOTH SCREEN. TRIM- MILL FINISH ALUMINUM

- (L1) 4-ONLY 812 x 812 MANUAL ADJ. LOUVERS C/W SCREEN & HOOD

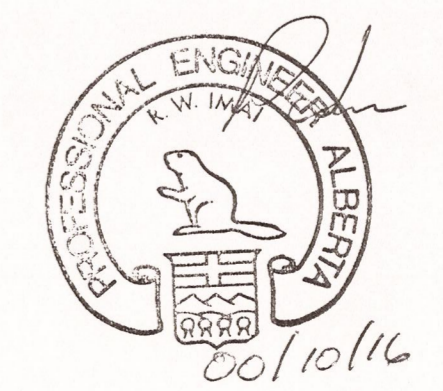
- (E1) 2 - ONLY 10973mm LONG CONTINUOUS EAVESTROUGH C/W DOWNSPOUT ASSEMBLY, FINISH: MTERO BROWN

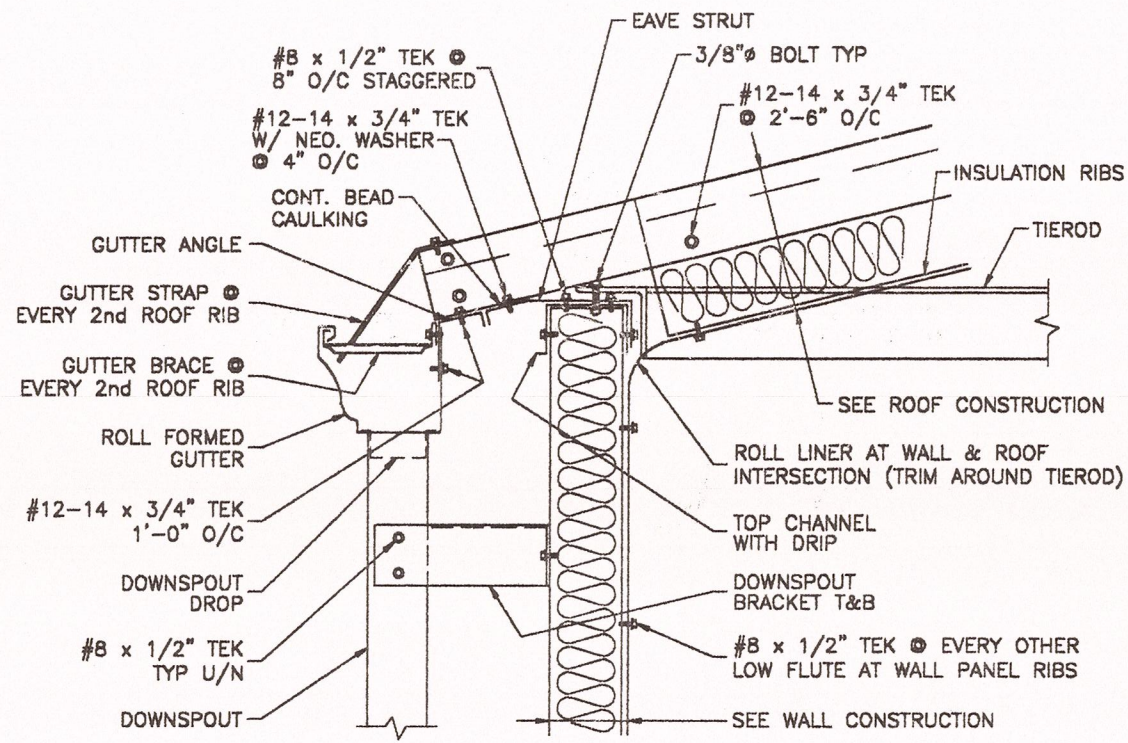
BUILDING DESIGN LOADS (Kpa)	
GROUND SNOW LOAD - S <sub>s</sub>	= 2.0 KPA S <sub>r</sub> = 0.10 KPA
HOURLY WIND PRESSURE q <sub>1/30</sub>	= 0.50 KPA
SEISMIC ZONE Z <sub>a</sub>	= 0 , Z <sub>v</sub> = 1 , V = 0.05

REV.	DESCRIPTION	BY	DATE
AS BUILT		BS	15 OCT 2000

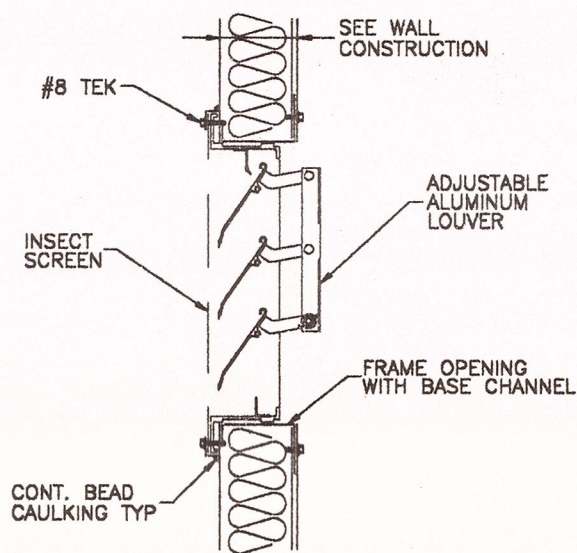
**MAKLOC BUILDINGS INC.**  
 708-17th AVENUE NISKU, ALBERTA T9E 7T1  
 PHONE: (403) 955-2951 FAX: (403) 955-7721

CLIENT:	PROPAC SYSTEMS	DRAWN BY:	BS	CHECKED BY:	
TITLE:	1380 HP STOCK COMPRESSOR PACKAGE	SCALE:	1:75 UNO	DATE:	15 OCT 2000
LOCATION:	AIRDRIE, ALBERTA	JOB NUMBER:		SHEET:	
SHEET DESCRIPTION:	FLOOR PLAN AND ELEVATION	BO-2643-E	2643-1	REV. 0	

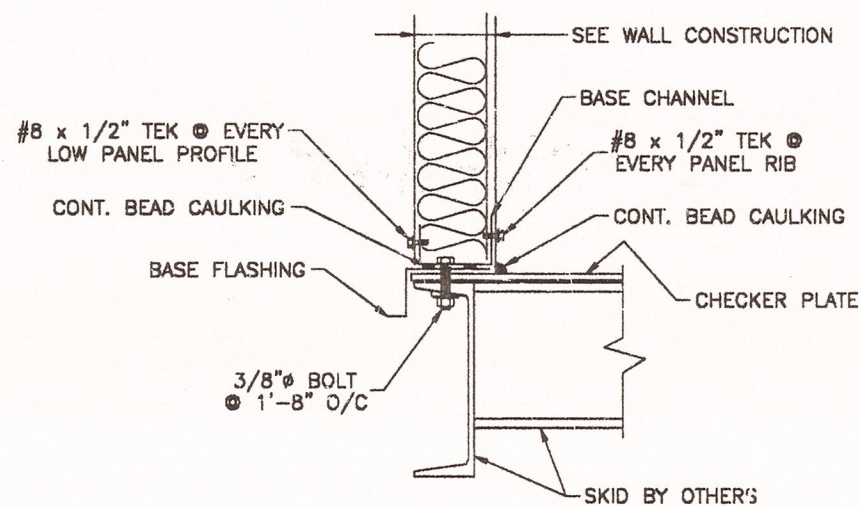




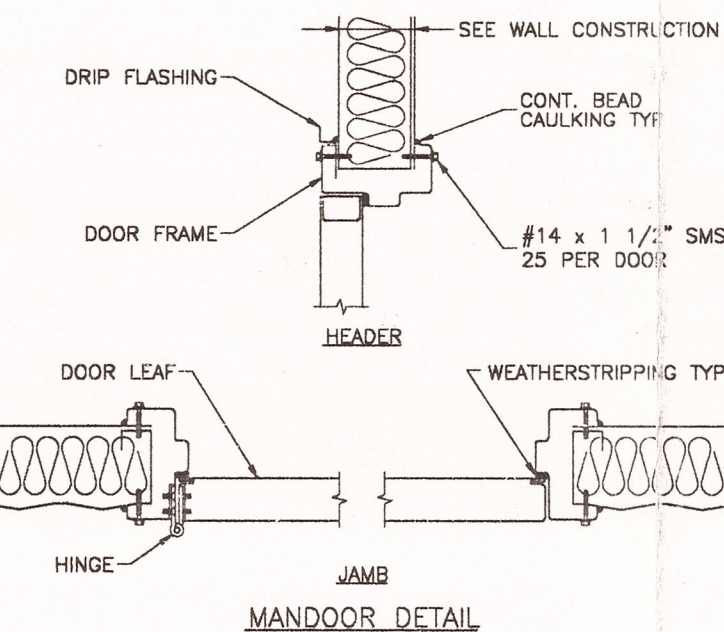
EAVE DETAIL



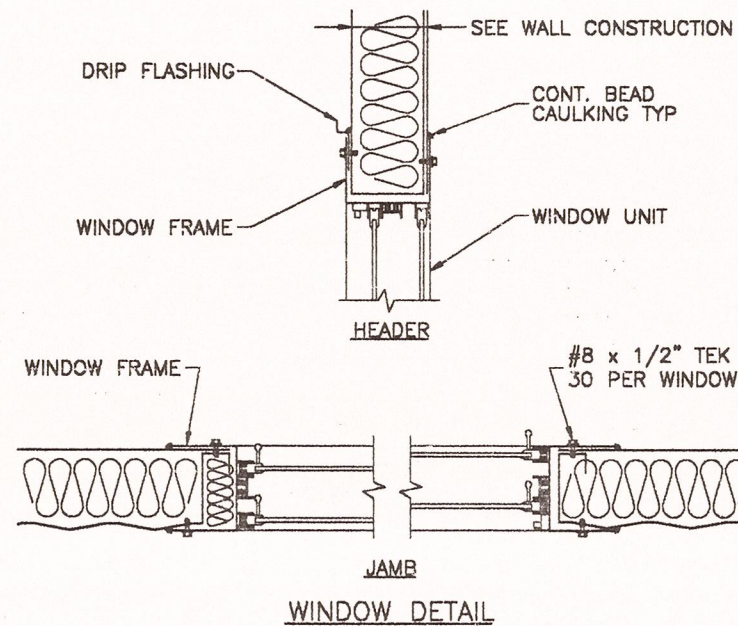
ADJUSTABLE LOUVER DETAIL



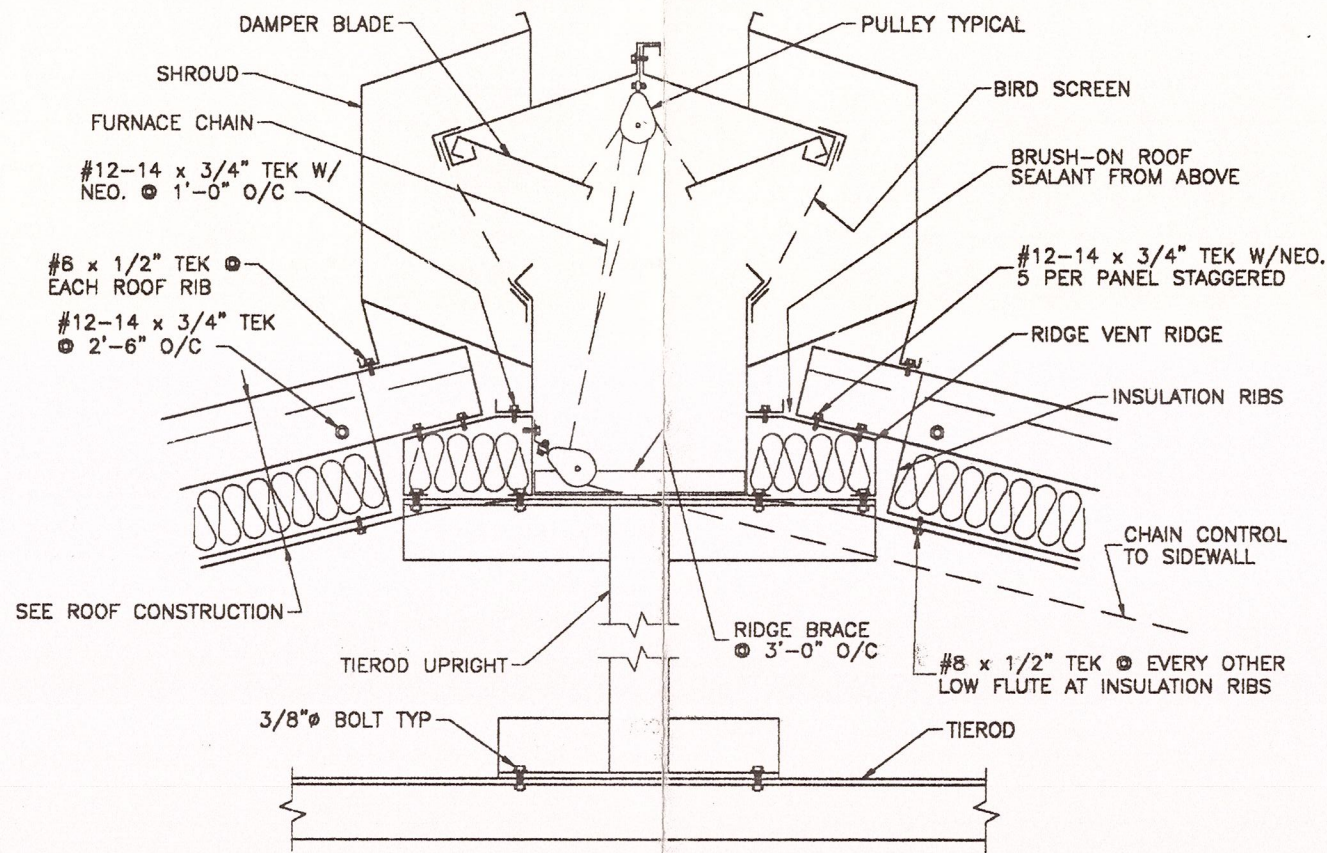
BASE DETAIL



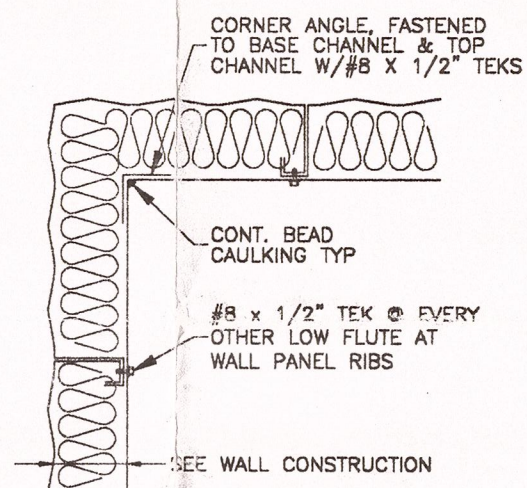
MANDOOR DETAIL



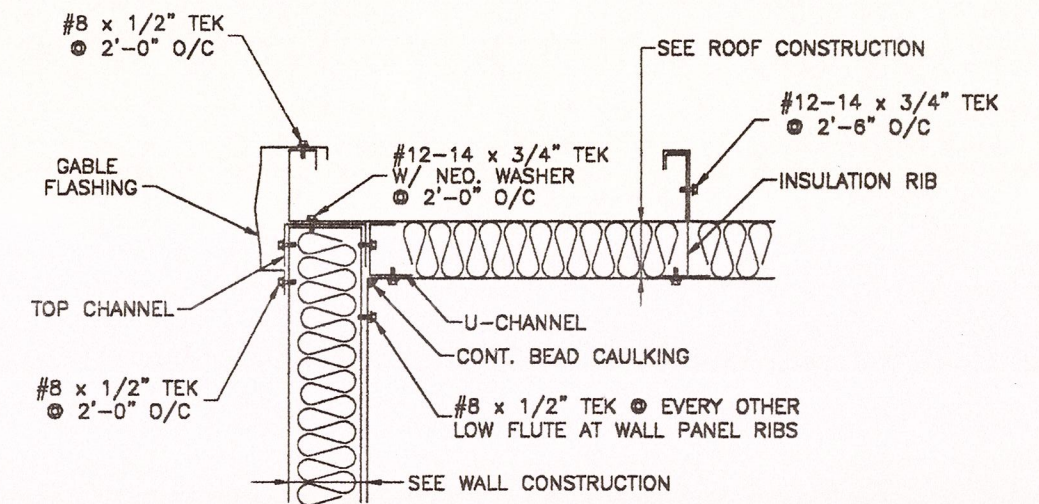
WINDOW DETAIL



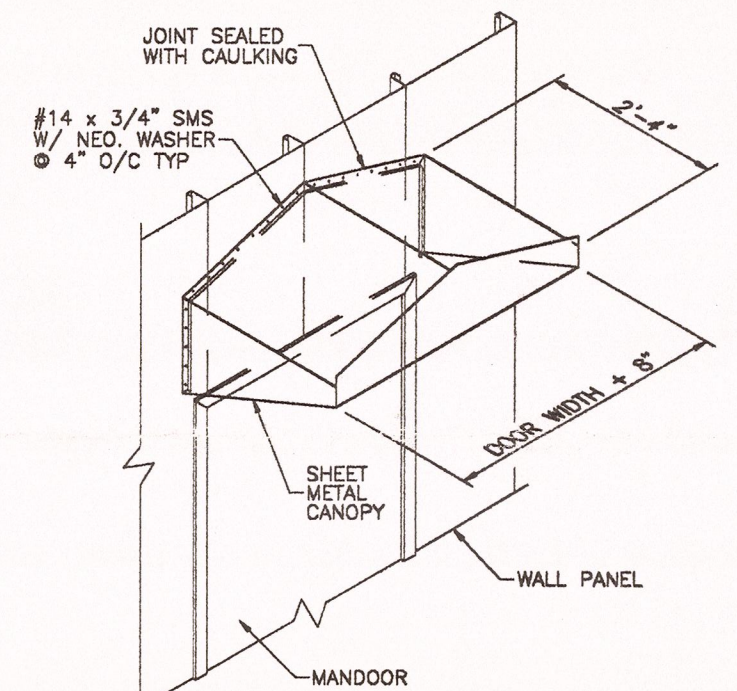
RIDGE DETAIL



BUILDING CORNER DETAIL



GABLE DETAIL



SHEET METAL CANOPY DETAIL

BUILDING DESIGN LOADS (Kpa)			
GROUND SNOW LOAD - $S_s = 2.0$ KPA $S_r = 0.10$ KPA			
HOURLY WIND PRESSURE $q_{1/30} = 0.50$ KPA			
SEISMIC ZONE $Z_a = 0$ , $Z_v = 1$ , $V = 0.05$			
ISSUED AS BUILT		BS	15 OCT 2000
REV.	DESCRIPTION	BY	DATE
		708-17th AVENUE NISKU, ALBERTA T9E 7T1	
PHONE: (403) 955-2951 FAX: (403) 955-7721			
CLIENT:	PROPAK SYSTEMS	DRAWN BY:	BS
TITLE:	1380 HP STOCK COMPRESSOR PACKAGE	CHECKED BY:	NTS
LOCATION:	AIRDRIE, ALBERTA	DATE:	15 OCT 2000
SHEET DESCRIPTION:	TYPICAL BUILDING DETAILS	JOB NUMBER:	2643-2
		REV. 0	







**INSTRUCTIONS  
AND  
PARTS LIST**

**6.00-INCH STROKE TYPE HOS  
GAS COMPRESSOR**

**15.00 / 9.50 / 6.00 / BAL x 6HOS4-3**

**PROPAK SYSTEMS LTD.**

**D-R GFC ORDER NUMBER: C1619 & C1621  
CUSTOMER UNIT #: 99-404-150 & 99-420-150**

**SERIAL NUMBERS:**

**6HF853**

**6HC2654 / 6HC2655 / 6HC2656 CYLINDERS**

**6HF854**

**6HC2657 / 6HC2658 / 6HC2659 CYLINDERS**

**DRESSER-RAND**

**Gas Field Compressors**

10/10/2000

©Dresser-Rand Company 2000  
Printed in U.S.A.

# **TABLE OF CONTENTS**

## **HOS COMPRESSOR**

THIS DRESSER-RAND SERVICE MANUAL HAS BEEN PREPARED SPECIFICALLY TO COVER THOSE UNITS LISTED ON THE TITLE PAGE. THIS PORTION OF THE MANUAL IS PRODUCED AT TULSA, OKLAHOMA AND CONTAINS THESE FOUR SECTIONS.

**FRONT MATTER**

**Safety Labels & General Information**

**SECTION A**

**Standard Instructions**

**SECTION B**

**Illustrated Parts List**

**SECTION C**

**Accessory Literature**

**FRONT MATTER**

**CONTENTS**

---

**SAFETY PRECAUTIONS**

**SAFETY LABELS**

**TECHNICAL COMPRESSOR TRAINING**

## SAFETY PRECAUTIONS

THE INSTALLATION, OPERATION, AND MAINTENANCE OF A COMPRESSOR AND ITS AUXILIARY COMPONENTS MAY INVOLVE CERTAIN HAZARDS WHICH ARE UNIQUE TO THIS TYPE OF EQUIPMENT. THE FOLLOWING LIST OF SAFETY PRECAUTIONS MUST BE THOROUGHLY READ AND REVIEWED WITH ALL PERSONNEL PRIOR TO WORKING WITH OR ON THE COMPRESSION EQUIPMENT OR SYSTEMS. FAILURE TO HEED THESE WARNINGS CAN RESULT IN AN ACCIDENT CAUSING PERSONAL INJURY OR PROPERTY DAMAGE.

- Do not operate this equipment in excess of its rated capacity, speed, pressure, and temperature, nor otherwise than in accordance with the instructions contained in the Instruction Book. Operation of the equipment in excess of the conditions set forth in the sales contract will subject it to stresses and strains which it was not designed to withstand.
- All electric motor and control wiring must be carefully installed in accordance with the National Electric Code, the Occupational Safety and Health Act of 1970 (OSHA), and any other code requirements at the installation site.
- Piping subject to temperatures in excess of 175°F (79.4°C) which may be contacted by personnel must be suitably guarded or insulated.
- Ventilation of areas and buildings containing compressors handling hazardous gas must be designed to prevent recirculation or concentration of leaking or vented gases.
- The compressor must be fitted with safety valves to limit the discharge and interstage pressures to a safe maximum. NEVER install an intervening line valve between a compressor cylinder and that safety valve.
- Safety valves must have their settings tested at least once a year, and more often under extreme conditions, using an appropriate bench test.
- If a safety valve blows during operation, stop the unit immediately and determine the cause.
- Pressure relieving devices that are vented to the atmosphere must have their outlet connections directed away from possible operator positions.
- Rotating equipment must not be placed in operation without adequate guarding of exposed rotating parts.
- Service on a machine shall always start with cleaning the surrounding area outside the machinery to remove oil which could cause the maintenance personnel to slip.
- Volatile flammable liquids must not be used as a cleaning agent for engine or compressor parts. A safety solvent should be used and the parts thoroughly dried before assembly.
- Carbon tetrachloride must not be used as a cleaning solvent. Appropriate provisions for ventilation should be made when using other halogenated solvents.
- When working with or near pickling or caustic solutions, all appropriate safety precautions must be taken with respect to adequate ventilation and adequate eye and body protection.

## Safety Precautions

---

- Consult OSHA regulations regarding cleaning materials and their use.
- Air jets must not be used for cleaning work clothes, because of the risk that the jet might enter the blood stream via body openings or small skin wounds.
- When air jets are used for cleaning workpieces, for sandblasting or for spray painting, hands and eyes must be adequately protected against flying debris.
- Whenever the compressor is shutdown for repairs, positive steps must be taken to prevent the prime mover from being inadvertently restarted. These positive actions are described in the Instruction Book. In addition, a warning sign bearing a legend "WORK IN PROGRESS - DO NOT START", or similar wording, shall be attached to the starting equipment.
- Whenever an engine or compressor is shutdown, and overheating is suspected, a minimum period of 30 minutes must elapse before the crankcase is opened. Premature opening of the crankcase on an overheated machine can result in a crankcase explosion.
- Prior to opening a reciprocating engine or compressor, or undertaking a major overhaul, the unit must be positively blocked against rollover and movement of the running gear. When the unit is equipped with a flywheel locking device, this device must be engaged to prevent rollover. Blocking the crankshaft against rotation or blocking the crossheads against movement are alternate methods of securing the running gear for maintenance work.
- Never open a compressor cylinder or any other part of the compression system without first completely relieving all pressure within the unit and taking all necessary precautions to prevent accidental repressuring of the system.
- Compressors handling toxic or flammable gases must be isolated from the process piping by means of blinds, or double valves, and bleeder when major maintenance is required. Before opening such compressors the equipment should be purged or evacuated. Minor adjustments may be performed without blinding provided that adequate precautions, such as depressuring, are taken to protect personnel. Check valves must not be relied upon for isolating the compressor.
- Incorrect placement of the inlet and discharge valves in a compressor cylinder can cause an extremely hazardous condition. Refer to the comprehensive Service Manual before installing valves.
- After any overhaul of an engine or compressor, the unit must be barred through at least one complete revolution to ensure that there are no mechanical interferences within the machine. During this rotation, control and regulating devices for the compressor must be in the "full load" position.
- Established operating and maintenance procedures, as well as basic safety precautions, must be reviewed with operating and maintenance personnel at regular intervals of not more than 6 months. Newly assigned operators must be trained in the safe operation of the equipment before they are permitted to operate it.

## Safety Labels

THE COMPRESSION OF GAS SHOULD BE UNDERSTOOD TO BE INTRINSICALLY HAZARDOUS. PROPER MAINTENANCE OF THE COMPRESSOR AND ASSOCIATED EQUIPMENT, ALONG WITH SAFE MAINTENANCE PRACTICES, IS ESSENTIAL FOR THE SAFETY OF OPERATORS AND MAINTENANCE PERSONNEL. THESE PEOPLE MUST READ, AND UNDERSTAND, THE SERVICE MANUALS WHICH HAVE BEEN PREPARED SPECIFICALLY FOR THE EQUIPMENT.

IN ADDITION, DRESSER-RAND COMPANY SUPPLIES SAFETY LABELS AND HAS MADE THEM AVAILABLE FOR AFTERMARKET PURCHASE. THESE LABELS ARE INTENDED TO WARN THE OPERATORS AND MAINTENANCE PERSONNEL OF POTENTIAL HAZARDS.

THE SAFETY LABELS THAT APPEAR ON THE FOLLOWING PAGES ARE AVAILABLE FROM DRESSER-RAND COMPANY. WE RECOMMEND THAT LABELS BE PURCHASED TO UPGRADE EQUIPMENT ALREADY INSTALLED, TO RE-LABEL EQUIPMENT WHICH HAS BEEN PAINTED OR TO REPLACE DEFACED LABELS.

SIGNAL WORDS ARE USED TO IDENTIFY LEVELS OF HAZARD SERIOUSNESS. THEIR SELECTION IS BASED ON THE LIKELY CONSEQUENCE OF HUMAN INTERACTION WITH THE HAZARD IN TERMS OF:

- DEGREE OF SEVERITY (minor injury, severe injury, death)
- THE PROBABILITY OF SEVERITY (will result, could result)



**DANGER** - Immediate hazards which WILL result in severe personal injury or death.



**WARNING** - Hazards or unsafe practices which COULD result in severe personal injury or death.



**CAUTION** - Hazards or unsafe practices which COULD result in minor personal injury or product or property damage.

# Safety Labels

## Full-Size Labels



**DANGER**

**PRESSURIZED EQUIPMENT**  
RELIEVE ALL GAS PRESSURE WITHIN THE CYLINDER BEFORE SERVICING  
FAILURE TO DO SO WILL RESULT IN SERIOUS INJURY OR DEATH

R79453  
R79453P1  
R79453P2



**WARNING**

**SPRING IN COMPRESSION**  
USE LONG STUDS WITH NUTS TO RELIEVE SPRING COMPRESSION WHEN REMOVING COVER  
FAILURE TO DO SO COULD RESULT IN SERIOUS INJURY OR DEATH

R79453A  
R79453AP1  
R79453AP2



**DANGER**

**PRESSURIZED EQUIPMENT**  
RELIEVE ALL GAS PRESSURE FROM THE CYLINDER AND UNLOADER BEFORE SERVICING  
FAILURE TO DO SO WILL RESULT IN SERIOUS INJURY OR DEATH

R79453B  
R79453BP1  
R79453BP2



**DANGER**

**EXPLOSIVE VAPORS**  
DO NOT OPEN ACCESS DOORS IF OVERHEATED PARTS ARE SUSPECTED. LET OVERHEATED PARTS COOL.  
FAILURE TO DO SO WILL RESULT IN SERIOUS INJURY OR DEATH

R79453C  
R79453CP1  
R79453CP2



**DANGER**

**ROTATING PARTS**  
DO NOT OPERATE WITHOUT GUARDS IN PLACE  
FAILURE TO DO SO MAY RESULT IN SERIOUS INJURY OR DEATH

R79453D  
R79453DP1  
R79453DP2



**DANGER**

**TOXIC GASES**  
WEAR PROTECTIVE BREATHING APPARATUS WHEN SERVICING THIS EQUIPMENT  
FAILURE TO DO SO WILL RESULT IN SERIOUS INJURY OR DEATH

R79453E  
R79453EP1  
R79453EP2



**WARNING**

**SLIPPERY WHEN WET**  
FIX LEANS AND CLEAN UP SPILLS  
FAILURE TO DO SO COULD RESULT IN SERIOUS INJURY OR DEATH

R79453F  
R79453FP1  
R79453FP2



**DANGER**

**ELECTRICAL HAZARD**  
DISCONNECT AND LOCK OUT ALL ELECTRICAL POWER BEFORE PERFORMING MAINTENANCE.  
FAILURE TO DO SO WILL RESULT IN SERIOUS INJURY OR DEATH

R79453H  
R79453HP1  
R79453HP2



**DANGER**

**PRESSURIZED EQUIPMENT**  
ENSURE INLET AND DISCHARGE VALVES ARE PLACED IN PROPER LOCATIONS  
FAILURE TO DO SO WILL RESULT IN SERIOUS INJURY OR DEATH

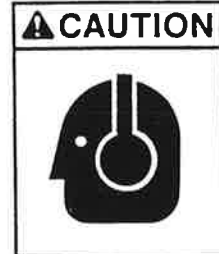
R79453J  
R79453JP1  
R79453JP2



**DANGER**

**TRAPPED PRESSURIZED GAS**  
LEAVE NUTS ON LONG STUDS UNTIL VALVE COVER O-RING IS VISIBLE.  
FAILURE TO DO SO WILL RESULT IN SERIOUS INJURY OR DEATH

R79453K  
R79453KP1  
R79453KP2



**CAUTION**

**NOISE HAZARD**  
WEAR PROPER EAR PROTECTION WHEN WORKING NEAR THIS EQUIPMENT  
FAILURE TO DO SO MAY RESULT IN HEARING LOSS

R79453L  
R79453LP1  
R79453LP2



**CAUTION**

**HOT SURFACE**  
AVOID CONTACT  
FAILURE TO DO SO MAY RESULT IN SERIOUS INJURY

R79453M  
R79453MP1  
R79453MP2



**DANGER**

**HIGH PRESSURE FLUID**  
CHECK FOR HYDRAULIC LEAKS USING WOOD OR CARDBOARD TO AVOID FLUID INJECTION INTO BODY TISSUE  
FAILURE TO DO SO WILL RESULT IN SERIOUS INJURY OR DEATH

R79453N  
R79453NP1  
R79453NP2



**WARNING**

**RECIPROCATING PARTS**  
STAY CLEAR OF MOVING PARTS WHILE PERFORMING MAINTENANCE  
FAILURE TO DO SO COULD RESULT IN SERIOUS INJURY

R79453V  
R79453VP1  
R79453VP2



**DANGER**

**CRANKCASE HAZARD**  
DO NOT WORK IN CRANKCASE UNTIL POWER DRIVER IS LOCKED OUT AND CRANKSHAFT IS BLOCKED TO PREVENT MOVEMENT  
FAILURE TO DO SO WILL RESULT IN SERIOUS INJURY OR DEATH

R79453W  
R79453WP1  
R79453WP2

# Safety Labels

## Truncated Labels \*



R79453P3



R79453AP3



R79453BP3



R79453CP3



R79453DP3



R79453EP3



R79453FP3



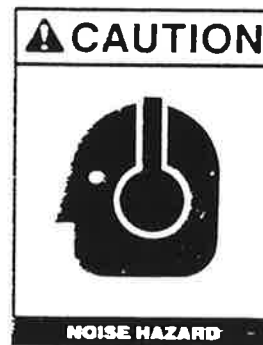
R79453HP3



R79453NP3



R79453WP3



R79453LP3



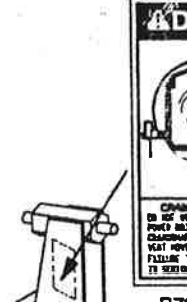
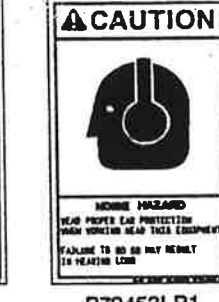
R79453MP3

\* For Limited  
Space Applications



R79453VP3





ONLY IF SPECIFIED BY ENGINEERING



NOTE: PRODUCT SAFETY LABELS ARE TO BE APPLIED TO EACH SIDE OF OPERATING EQUIPMENT. SAFETY LABELS ARE SHOWN ONLY ON ONE HALF OF UNIT FOR CLARIFICATION.

# Safety Labels

## SAFETY LABEL ORDERING FORM

(\* Indicates normally in-stock item)

Part No.	Size	Label Name	Qty.	Part No.	Size	Label Name	Qty.
R79453	10.8 x 6.5	PRESSURIZED EQUIPMENT	_____	R79453L	10.8 x 6.5	NOISE HAZARD	_____
R79453P1*	5.4 x 3.25		_____	R79453LP1*	5.4 x 3.25		_____
R79453P2	4.0 x 2.4		_____	R79453LP2	4.0 x 2.4		_____
R79453A	10.8 x 6.5	SPRING IN COMPRESSION	_____	R79453M	10.8 x 6.5	HOT SURFACE	_____
R79453AP1	5.4 x 3.25		_____	R79453MP1*	5.4 x 3.25		_____
R79453AP2	4.0 x 2.4		_____	R79453MP2	4.0 x 2.4		_____
R79453B	10.8 x 6.5	PRESSURIZED EQUIPMENT	_____	R79453N	10.8 x 6.5	HIGH PRESSURE FLUID	_____
R79453BP1	5.4 x 3.25		_____	R79453NP1	5.4 x 3.25		_____
R79453BP2*	4.0 x 2.4		_____	R79453NP2*	4.0 x 2.4		_____
R79453C	10.8 x 6.5	EXPLOSIVE VAPORS	_____	R79453V	10.8 x 6.5	RECIPROCATING PARTS	_____
R79453CP1*	5.4 x 3.25		_____	R79453VP1*	5.4 x 3.25		_____
R79453CP2	4.0 x 2.4		_____	R79453VP2	4.0 x 2.4		_____
R79453D	10.8 x 6.5	ROTATING PARTS	_____	R79453W	10.8 x 6.5	CRANKCASE HAZARD	_____
R79453DP1*	5.4 x 3.25		_____	R79453WP1*	5.4 x 3.25		_____
R79453DP2	4.0 x 2.4		_____	R79453WP2	4.0 x 2.4		_____
R79453E	10.8 x 6.5	TOXIC GASES	_____	R79453P3	3.2 x 2.4	PRESSURIZED EQUIPMENT	_____
R79453EP1*	5.4 x 3.25		_____	R79453AP3*	3.2 x 2.4		SPRING IN COMPRESSION
R79453EP2	4.0 x 2.4		_____	R79453BP3	3.2 x 2.4		
R79453F	10.8 x 6.5	SLIPPERY WHEN WET	_____	R79453CP3	3.2 x 2.4	EXPLOSIVE VAPORS	_____
R79453FP1*	5.4 x 3.25		_____	R79453DP3*	3.2 x 2.4		ROTATING PARTS
R79453FP2	4.0 x 2.4		_____	R79453EP3	3.2 x 2.4		
R79453H	10.8 x 6.5	ELECTRICAL HAZARD	_____	R79453FP3	3.2 x 2.4	SLIPPERY WHEN WET	_____
R79453HP1*	5.4 x 3.25		_____	R79453HP3	3.2 x 2.4		ELECTRICAL HAZARD
R79453HP2	4.0 x 2.4		_____	R79453LP3	3.2 x 2.4		
R79453J	10.8 x 6.5	PRESSURIZED EQUIPMENT	_____	R79453MP3	3.2 x 2.4	HOT SURFACE	_____
R79453JP1	5.4 x 3.25		_____	R79453NP3	3.2 x 2.4		HIGH PRESSURE FLUID
R79453JP2*	4.0 x 2.4		_____	R79453VP3	3.2 x 2.4		
R79453K	10.8 x 6.5	TRAPPED PRESSURIZED GAS	_____	R79453WP3	3.2 x 2.4	CRANKCASE HAZARD	_____
R79453KP1*	5.4 x 3.25		_____				
R79453KP2	4.0 x 2.4		_____				

# **DRESSER-RAND**

## **TECHNICAL COMPRESSOR TRAINING**

THE TRAINING DEPARTMENT OF DRESSER-RAND PROVIDES INSTRUCTIONAL PROGRAMS WHICH OFFER A PRACTICAL APPROACH TO TECHNIQUES FOR INSTALLING, OPERATING, MAINTAINING, REPAIRING AND TROUBLESHOOTING RECIPROCATING DRESSER-RAND GAS FIELD COMPRESSORS.

BOTH FACTORY SCHOOLS AND SPECIFIC COMPRESSOR ON-SITE PROGRAMS ARE DESIGNED FOR COMPRESSOR MECHANICS, MAINTENANCE SUPERVISORS, MECHANICAL AND PROCESS ENGINEERS, AND COMPRESSOR OPERATORS. THESE SCHOOLS ARE CONDUCTED BY FULL TIME INSTRUCTORS AND PRODUCT ENGINEERS.

FOR FURTHER INFORMATION PLEASE CONTACT YOUR DRESSER-RAND SALES OFFICE OR THE TRAINING DEPARTMENT AT (918) 252-9007 OR 1-800-480-3788.





**INSTRUCTIONS**  
for  
**OPERATING**  
and  
**SERVICING**

**HOS**  
**COMPRESSOR**

**DRESSER-RAND**

**GAS FIELD COMPRESSORS**

## WARNING

**DO NOT OPERATE THIS EQUIPMENT IN EXCESS OF ITS RATED CAPACITY, SPEED, PRESSURE AND TEMPERATURE, NOR OTHERWISE THAN IN ACCORDANCE WITH THE INSTRUCTIONS CONTAINED IN THIS MANUAL. OPERATION OF THE EQUIPMENT IN EXCESS OF THE CONDITIONS SET FORTH IN THE SALES CONTRACT WILL SUBJECT IT TO STRESSES AND STRAINS WHICH IT WAS NOT DESIGNED TO WITHSTAND.**

**FAILURE TO HEED THIS WARNING MAY RESULT IN AN ACCIDENT CAUSING PERSONAL INJURY OR PROPERTY DAMAGE.**

## FOREWORD

**READ THE INSTRUCTION BOOK CAREFULLY BEFORE COMMISSIONING THE UNIT.**

This manual contains important instructions and information on the operation and servicing of the Dresser-Rand HOS compressor and cylinders. ***THE IMPORTANCE OF GETTING THIS INSTRUCTION MANUAL INTO THE HANDS OF THE PERSON IN CHARGE OF OPERATING THE COMPRESSOR CANNOT BE OVEREMPHASIZED.*** All personnel involved in the operation and maintenance of the compressor should have access to this manual and be familiar with its contents.

This manual is published solely to provide operating and maintenance instructions for the subject compressor. It contains a detailed description of the compressor and its components; operating instructions and procedures for installation and maintenance.

This manual is divided into two major sections.

- (1) **FRONT MATTER;** containing WARNING, FOREWORD, SAFETY SUMMARY, STATEMENT OF WARRANTY, LIMITATIONS of LIABILITY and other comments of interest to our customers.
- (2) **TECHNICAL SECTION;** consisting of five chapters.
  - CHAPTER 1, INTRODUCTION
  - CHAPTER 2, LUBRICATION
  - CHAPTER 3, OPERATING AND TROUBLESHOOTING
  - CHAPTER 4, MAINTENANCE
  - CHAPTER 5, GENERAL DATA & SPECIFICATIONS

Do not remove the stainless steel nameplates that are attached to the machine. These plates give serial numbers that are necessary when communicating with Dresser-Rand about the equipment.

Also, do not remove safety labels. If these labels are removed or defaced, new ones should be obtained from Dresser-Rand Company. **Refer all communications to the nearest Dresser-Rand Authorized Packager or the Dresser-Rand Gas Field Compressor Group.**

## SAFETY PRECAUTIONS

**Warnings and cautions appearing throughout this instruction manual are of paramount importance to personnel and equipment safety. Prior to any attempt to operate, maintain, troubleshoot, or**

troubleshoot, or repair any part of the compressor, all DANGERS, WARNINGS and CAUTIONS should be thoroughly reviewed and understood. Refer to the Safety Summary which follows later. The information immediately following defines "signal words" as they are used in this manual.

**SIGNAL WORDS ARE USED TO IDENTIFY LEVELS OF HAZARD SERIOUSNESS. THEIR SELECTION IS BASED ON THE LIKELY CONSEQUENCE OF HUMAN INTERACTION WITH THE HAZARD IN TERMS OF:**

- DEGREE OF SEVERITY (minor injury, severe injury, death)
- THE PROBABILITY OF SEVERITY (will result, could result)

## DANGER

The word DANGER signifies immediate hazards which WILL result in severe personal injury or death. In our Instruction Book, this should be construed to be a VERY STRONG Warning (see below).

## WARNING

The word WARNING refers to hazards or unsafe practices which COULD result in severe personal injury or death. This is found quite often in the Instruction Book due to its association with unsafe practices.

## CAUTION

The word CAUTION refers to hazards or unsafe practices which COULD result in minor personal injury or product or property damage. This word is found frequently in the Instruction Book due to the fact that bad maintenance practices or procedures can so often result in damage to the compressor. Because what constitutes a "minor" injury is open to debate, we have upgraded many CAUTIONS to WARNINGS in recent years.

### NOTE

This is advisory in nature and is not intended to warn. SERVICE NOTES refer to specific procedures, tools or information that will assist maintenance personnel in completing a specific task. NOTES are used to highlight more general, but not crucial, information.

The operation and maintenance of a compressor and its auxiliary components may present certain hazards which are unique to this type of equipment. The following list of safety precautions must be thoroughly read and reviewed by all personnel prior to working with or on the compressor equipment and systems. These general statements are expanded upon in the sections of the manual appropriate to their application. **Failure to heed these precautions can result in an accident causing personal injury, death or property damage.**

### SAFETY SUMMARY

- A. All electric motor and control wiring must be carefully installed in accordance with the National Electric Code, the Occupational Safety and Health Act of 1970 (OSHA) and any other code requirements at the installation site.
- B. Piping subject to temperatures excess of 175° (80°C) which may be touched by personnel must be suitable guarded or insulated.
- C. It is imperative that all gases lighter or heavier than air, active or inactive, toxic, combustible, obnoxious, objectional, or in any way harmful to personnel or equipment, be piped away from the compressor. There must not be any manifolding of vent tubing or piping; nor can back pressure be allowed to develop in any vent line. Gases may be recirculated as required by the process, but in any case must be controlled and/or disposed of in accordance with OSHA regulations and local pollution laws.
- D. The compressor must be fitted with safety valves or rupture disks to limit the discharge pressures to a safe maximum. NEVER install an intervening valve between a compressor cylinder and the safety valve or disk.
- E. Safety valves must have their settings tested at least once a year, and more often under extreme operating conditions, using an appropriate bench test.
- F. If a safety valve or rupture disk blows during operation, stop the unit immediately and determine the cause.
- G. Pressure relieving devices that are vented to the atmosphere must have their outlet connections directed away from operator stations.
- H. Rotating equipment must not be placed in operation unless adequate safeguards have been provided to protect operating personnel.
- I. Service on a machine shall always start with cleaning the floor and the outside of the machinery to remove oil, which could cause maintenance personnel to slip.
- J. Volatile flammable liquids must not be used as a cleaning agent for compressor parts. A safety solvent must be used and the parts thoroughly dried before assembly.
- K. Carbon tetrachloride, perchlorethylene, methylethylketone and similar solvents must not be used as cleaning agents. Appropriate provisions for ventilation must be made when using any halogenated or organic solvents.
- L. When working with or near pickling or caustic solutions, all appropriate safety precautions must be taken with respect to adequate ventilation, and eye and skin protection.
- M. Consult OSHA regulations covering cleaning materials and their use.
- N. Air jets must not be used for cleaning work clothes, due to the risk of air entering the bloodstream via body openings or small skin wounds. When air jets are used for cleaning parts, sandblasting or for spray painting, skin and eyes must be adequately protected against flying debris.
- O. Whenever a compressor is shut down for repairs, positive steps must be taken to prevent the prime mover from being inadvertently energized and started. These positive actions are described in this Instruction Book. In addition, a warning sign bearing a legend "WORK IN PROGRESS DO NOT START", or similar wording, shall be attached to the starting equipment.



- P. Whenever the compressor is shut down because overheating is suspected, a minimum period of 30 minutes must elapse before the crankcase is opened. Premature opening of the crankcase can result in a crankcase explosion.
- Q. Prior to opening the compressor, or undertaking a major overhaul, the unit must be positively blocked against rollover and movement of the running gear. When the unit is equipped with a barring or flywheel locking device, this device must be used to prevent rollover. Blocking of the crankshaft or crossheads is an alternate method of preventing accidental rollover.
- R. Never open a compressor cylinder or any other part of the compression system without first completely relieving all pressure within the unit and taking all necessary precautions to prevent accidental pressurizing of the system.
- S. Compressors handling toxic or flammable gases must be isolated from the process piping by means of blinds, or double valves and bleeders, when major maintenance is required. Before opening such compressors the equipment MUST be purged or evacuated.
- T. Corrective action must be taken when the cylinder vent gas leakage is excessive or when there is a sudden increase in the leakage rate.
- U. Lifting hoists and similar equipment must be regularly tested and have a sufficient safety factor for the weight to be lifted. Also, ensure that lifting devices are properly rigged before any lifting is attempted.
- V. After any overhaul of the compressor, the unit must be barred through at least one complete revolution to ensure that there are no mechanical obstructions within the machine.
- W. Established operating and maintenance procedures, as well as basic safety precautions, must be reviewed with the operating and maintenance personnel at regular intervals not to exceed six months. Newly assigned operators must be thoroughly trained in the safe operation of this equipment before they are permitted to operate it.
- X. Never use an air impact wrench for FINAL tightening of fasteners. An impact wrench cannot impart the proper bolt or stud pre-stress. See Chapter 5 of this manual for detailed fastener tightening requirements and procedures.
- Y. Special attention should be paid to all detailed DANGER, WARNING and CAUTION statements located throughout this manual, and to all SAFETY LABELS affixed to the equipment.

**WARRANTY, REMEDY, DISCLAIMER**

**A.** Dresser-Rand warrants that the equipment manufactured and delivered by Dresser-Rand under the terms of this Agreement will be free from defects in material and workmanship until the earliest to occur of the following events:

1. One year after startup.
2. Eighteen (18) months after shipment by packager.
3. Twenty-four (24) months after shipment by Dresser-Rand to Packager.

The Packager shall be obligated to promptly report any claimed defects in writing to Dresser-Rand immediately upon discovery and, in any event, within the above period. After notice from Packager and substantiation of the claim, Dresser-Rand shall, at its option, correct such defect either by suitable repair to such equipment or part, or by furnishing replacement equipment or part(s), as necessary, to the original ex-works point of shipment.

**B.** DRESSER-RAND MAKES NO OTHER WARRANTY OR REPRESENTATION OF ANY KIND. ALL OTHER WARRANTIES, EXPRESSED OR IMPLIED, INCLUDING BUT NOT LIMITED TO, THE IMPLIED WARRANTIES OF MERCHANTABILITY AND FITNESS FOR A PARTICULAR PURPOSE ARE HEREBY DISCLAIMED.

**C.** With respect to equipment, parts and work not manufactured or performed by Dresser-Rand, Dresser-Rand's only obligation shall be to assign to Packager whatever warranty Dresser-Rand receives from the manufacturer.

**D.** Dresser-Rand shall not be liable for the cost of any repair, replacement, or adjustment to the equipment or parts made by the Packager or for labor performed by the Packager or others, without Dresser-Rand's prior written approval.

**E.** No equipment or part furnished by Dresser-Rand shall be deemed to be defective by reason of normal wear and tear, failure to resist erosive or corrosive action of any fluid or gas, or of Packager's failure to properly store, install, operate or maintain the equipment in accordance with good industry practices or specific recommendations of Dresser-Rand.

**F.** The Packager shall not operate equipment which is considered to be defective without first notifying Dresser-Rand in writing of its intention to do. Any such use of the equipment will be at the Packager's sole risk and expense.

**G.** The repair or replacement of the equipment, spare or replacement part(s) by Dresser-Rand under this Warranty schedule shall constitute Dresser-Rand's sole obligation and Packager's sole and exclusive remedy for all claims of defects regarding the equipment and parts furnished hereunder.

**H.** The compressor owner should contact an authorized Dresser-Rand Packager for all required warranty or non-warranty service.

## LIMITATIONS OF LIABILITY

- A. The remedies of the Packager set forth herein are exclusive and the total liability of Dresser-Rand with respect to claims under this Agreement or regarding the equipment, spare or replacement parts and services incidental thereto as furnished hereunder, whether based in contract, tort (including negligence and strict liability) or otherwise, shall not exceed the purchase price of the services or the unit of equipment or part(s) upon which such liability is based.
- B. Dresser-Rand shall in no event be liable for any consequential, incidental, indirect, special or punitive damages arising out of this Agreement or any breach thereof, or any defect in, or failure of, or malfunction of the equipment or part(s) hereunder, including but not limited to claims based on loss of use, lost profits or revenue, interest, lost goodwill, work stoppage, impairment of other goods, loss by reason of shutdown or non-operation, increased expenses of operation, cost of purchase of replacement power or claims of Packager or customers of Packager for service interruption whether or not such loss or damage is based on contract, tort (including negligence and strict liability) or otherwise.

## COMMENTS OF INTEREST TO OUR CUSTOMERS

### GENERAL

Service Manuals are furnished for every Dresser-Rand Compressor. If additional details of your job are required, we will be happy to furnish this information.

This book is intended to cover many of the special points of operating and maintenance of the compressor components, and to supplement the experience and mechanical ability of a competent engineer.

Dresser-Rand service is available to every compressor owner. We have a continued interest in the welfare of our machinery. We wish to build and stand by every unit so that the purchase of this compressor will always be considered a wise investment.

### CONSULTATION

Our engineering department welcomes inquiries regarding any phase of compressor practice, operation and repairs or changes to meet unexpected conditions. Our sales department and branch representatives will confer with you on any prospective installation or change. Call, write or wire our branch offices for information and advice on any point.

### INSPECTION

These compressors will operate satisfactorily for years with little special attention. A preventative maintenance schedule will do much to ensure optimum performance of the unit, while avoiding possible difficulties at some inconvenient time.

### RENEWAL PARTS

If you will write us fully about your trouble or unusual wear, we may be able to make helpful suggestions that will correct your problem. We keep standard parts on hand for replacement when required.

### SERVICE

Dresser-Rand distributors maintain a force of highly trained Field Service Representatives, skilled in compressor work, who are available for installation, inspection or repair. They can be secured on reasonable notice. Contact your nearest Dresser-Rand distributor for service information.

Proper erection and starting of the compressor is extremely important. The success of a unit frequently depends on how it is installed. We strongly urge that such work be supervised by skilled Field Service Representatives, who are thoroughly familiar with construction, and who can also instruct the operators in the care and handling of the equipment.

Many customers, especially those operating several units, have Field Service Representatives make periodic inspections to prevent malfunctions and to ensure the best possible operating results. These representatives can explain how to operate D-R units to achieve the greatest possible operating results with the greatest efficiency and economy, while obtaining the longest possible equipment life.

# Table of Contents for Type HOS Instructions

---

## CHAPTER 1 - INTRODUCTION

Paragraph	Page
1-1. GENERAL INFORMATION .....	1-2
1-1.1. Ratings and Performance Characteristics.....	1-2
1-1.2. Design Improvements.....	1-2
1-2. SERIAL NUMBERS.....	1-3
1-2.1. Frame .....	1-3
1-2.2. Cylinders.....	1-3
1-2.3. Cylinder Nameplate Information.....	1-4
A. Cylinder Type, Serial Number, Bore & Stroke .....	1-4
B. Maximum Allowable Working Pressure .....	1-5
C. Maximum Allowable Discharge Gas Temperature.....	1-5
B. Hydrostatic Test Pressure.....	1-5

## CHAPTER 2 -LUBRICATION

Paragraph	Page
2-1. GENERAL .....	2-2
2-2. FRAME AND RUNNING GEAR LUBRICATION SYSTEM.....	2-2
2-2.1. Main Oil Pump .....	2-3
A. Main Oil Pump Removal & Disassembly .....	2-3
B. Main Oil Pump Assembly & Installation.....	2-4
2-2.2. Oil Pressure Regulation Valve.....	2-5
2-2.3. Oil Pressure Safety Relief Valve.....	2-6
2-2.4. Hand Oil Priming Pump.....	2-6
A. Hand Oil Priming Pump Removal & Disassembly .....	2-7
B. Hand Oil Priming Pump Assembly & Installation.....	2-8
2-2.5. Oil Pressure Gauges.....	2-8
2-2.6. Low Oil Pressure Shutdown Protection .....	2-9
2-2.7. Oil Cooler (Heat Exchanger) .....	2-9
2-2.8. Oil Filter .....	2-10
2-2.9. Frame Oil Recommendations .....	2-11
A. General Requirements .....	2-11
B. Viscosity Requirements.....	2-11
C. Inspection .....	2-11
D. Oil Change Schedule.....	2-11
2-2.10. Frame Oil Level .....	2-12
2-2.11. Frame Breather .....	2-12
2-3. CYLINDER LUBRICATION SYSTEM.....	2-13
2-3.1. Pump-to-Point Lubrication System .....	2-13
A. Lubricator Operation.....	2-13
B. Lubricator Adjustment .....	2-13
2-3.2. Block-type Lubrication System .....	2-15
A. Filling and Purging the System.....	2-18
B. Maintenance and Troubleshooting.....	2-19

## Table of Contents

---

### CHAPTER 2 -LUBRICATION - continued

Paragraph	Page
2-3.3. Cylinder Oil Recommendations .....	2-21
A. General Requirements.....	2-21
B. Service Considerations.....	2-22
C. Inspection.....	2-23
D. Synthetic Lubricants .....	2-23
2-3.4. Break-in and Operation .....	2-23
2-3.5. Extended Shutdown .....	2-25
2-3.6. System Malfunctions and their Causes .....	2-25

### CHAPTER 3 -OPERATION & TROUBLESHOOTING

Paragraph	Page
3-1. GENERAL.....	3-2
3-2. PREPARATION FOR INITIAL START .....	3-2
3-2.1. Alignment Check .....	3-2
3-2.2. Lubrication Systems .....	3-4
3-2.3. Compressor Cylinders .....	3-4
3-2.4. General Inspections and Adjustments .....	3-5
3-2.5. Compressor Cooling System .....	3-5
3-3. CAPACITY CONTROL.....	3-5
3-3.1. Cylinder Clearance Volume .....	3-6
3-3.2. Cylinder Unloading .....	3-6
3-3.3. Suction Pressure Control .....	3-6
3-3.4. Capacity Control Bypass.....	3-6
3-4. COMPRESSOR LOADING AND UNLOADING .....	3-6
3-4.1. Loading/Unloading Procedure - Bypass and Discharge Valve Method .....	3-9
3-4.2. Loading/Unloading Procedure - Vent Valve Method .....	3-9
3-5. INITIAL START-UP .....	3-9
3-6. BREAK-IN AND OPERATION .....	3-11
3-7. SUGGESTED ROUTINE STARTING PRACTICES .....	3-11
3-8. ROUTINE STOPPING .....	3-13
3-9. EMERGENCY OR NON-SCHEDULED SHUTDOWN .....	3-13
3-10. SHUTDOWN FOR AN EXTENDED PERIOD .....	3-13
3-11. ROUTINE OPERATION AND MAINTENANCE .....	3-14
3-11.1. Daily.....	3-14
3-11.2. Weekly .....	3-15
3-11.3. Monthly.....	3-15
3-11.4. Every Three Months .....	3-16
3-11.5. Every Six Months.....	3-16
3-11.6. Annually.....	3-17
3-12. TROUBLESHOOTING BY SYMPTOM .....	3-18

### CHAPTER 4 -MAINTENANCE

Paragraph	Page
4-1. GENERAL.....	4-3

**CHAPTER 4 -MAINTENANCE - continued**

Paragraph	Page
4-2. SAFETY PRECAUTIONS .....	4-4
4-3. FRAME .....	4-4
4-4. CRANKSHAFT .....	4-7
4-5. CRANKSHAFT OIL SEAL .....	4-7
4-6. ACCESSORY EQUIPMENT .....	4-7
4-7. MAIN BEARINGS .....	4-7
4-7.1. Checking Bearing Clearance .....	4-8
4-7.2. Replacing a Main Bearing .....	4-8
4-7.3. Bearing Crush.....	4-10
4-7.4. Checking Crankshaft Thrust .....	4-10
4-8. CROSSHEAD / CONNECTING ROD ASSEMBLY .....	4-11
4-8.1. Crosshead .....	4-12
4-8.2. Connecting Rods .....	4-12
4-8.3. Connecting Rod Bearings .....	4-12
A. Stretch Micrometer Procedure .....	4-13
4-8.4. Replacing Connecting Rod Bearings .....	4-15
4-8.5. Crossheads and Pins.....	4-16
4-8.6. Removing Crosshead and Connecting Rod .....	4-16
4-8.7. Replacing Small End Bushing .....	4-18
4-8.8. Replacing Crosshead Pin and Bushing.....	4-20
4-8.9. Crosshead Shoe Replacement and Piston Rod Runout Adjustment .....	4-20
A. Crosshead Shoe Replacement .....	4-22
B. Piston Rod Runout Adjustment .....	4-22
4-9. COMPRESSOR CYLINDERS .....	4-23
4-9.1. Removing and Installing Compressor Cylinders .....	4-25
A. Removing Compressor Cylinder .....	4-26
B. Installing Compressor Cylinder .....	4-26
4-9.2. Disassembly and Assembly of Pistons & Piston Rods .....	4-27
A. Piston and Rod Disassembly .....	4-28
B. Piston and Rod Assembly .....	4-28
4-10. INSTALLING PISTON ROD AND ADJUSTING END CLEARANCE .....	4-32
4-11.1. INSPECTION / MAINTENANCE OF CYLINDER BORES .....	4-34
A. Honing .....	4-35
4-12. NON-METALLIC COMBINATION PISTON & RIDER RINGS .....	4-36
4-12.1. Handling Instructions.....	4-36
4-12-2. Establishing Ring Wear Rate .....	4-36
4-12-3. Replacing Rings.....	4-37
4-12-4. Installing Rings.....	4-38
4-12-5. Breaking-in Combination Rings.....	4-40
4-13. PISTON ROD PRESSURE PACKING .....	4-40
4-13.1. Packing Rings .....	4-40
4-13.2. Packing Gasket.....	4-43
4-13.3. Packing Cases .....	4-44
4-13.4. Installing the Packing .....	4-44
4-13.5. Packing Operation & Maintenance.....	4-46
4-13.6. Inspecting the Packing.....	4-46
4-13.7. Replacing the Packing .....	4-47
4-14. PISTON ROD OIL SCRAPER RINGS .....	4-47
4-15. BALANCE CYLINDER (If Used) .....	4-49
4-16. COMPRESSOR VALVES .....	4-50
4-16.1. Description of Operation.....	4-51
4-16.2. Valve Maintenance Recommendations .....	4-52

**CHAPTER 4 -MAINTENANCE - continued**

<b>Paragraph</b>		<b>Page</b>
4-16.3.	Removing the Valves – O-Ring Valve Cover .....	4-55
4-16.4.	Disassembling & Servicing the Valve.....	4-57
4-16.5.	Refacing Valve Seats .....	4-59
4-16.6.	Reconditioning the Stop Plate .....	4-60
4-16.7.	Assembling the Valve .....	4-61
4-16.8.	Installing the Valves – O-Ring Valve Cover.....	4-62
4-17.	<b>REGULATION DEVICES .....</b>	<b>4-64</b>
4-17.1.	<b>Inlet Valve Unloaders.....</b>	<b>4-65</b>
	A. Control and Vent Piping.....	4-67
	B. Unloader Cleanliness.....	4-67
	C. Removing Operator, Unloader and Valve Assembly.....	4-68
	D. Disassembling Cage and Plunger.....	4-69
	E. Installing Valve, Cage and Plunger .....	4-69
	F. Disassembling Unloader Cover and Operator.....	4-69
	G. Installing the Unloader.....	4-71
	H. Adjusting the Stroke.....	4-72
4-17.2.	<b>Variable Volume Clearance Pockets .....</b>	<b>4-72</b>
	A. Construction.....	4-72
	B. Maintenance.....	4-72
4-17.3.	<b>Fixed Volume Clearance Pockets .....</b>	<b>4-74</b>
	A. Control and Vent Piping.....	4-75
	B. Clearance Pocket Cleanliness.....	4-76
	C. Removing the Clearance Pocket Assembly.....	4-76
	D. Disassembling Actuating Piston Housing .....	4-77
	E. Disassembling Clearance Valve Sleeve .....	4-77
	F. Servicing the Gland Seal .....	4-77
	G. Assembling Actuating Piston Housing .....	4-79
	H. Assembling Clearance Valve Sleeve.....	4-79
	I. Installing Clearance Pocket Assembly .....	4-79

**CHAPTER 5 –GENERAL DATA & SPECIFICATIONS**

<b>Paragraph</b>		<b>Page</b>
5-1.	<b>GENERAL AND OPERATING DATA.....</b>	<b>5-2</b>
5-2.	<b>ASSEMBLY FITS AND CLEARANCES .....</b>	<b>5-4</b>
5-3.	<b>TIGHTENING REQUIREMENTS.....</b>	<b>5-6</b>



---

## HOS

### CHAPTER 1

---

Paragraph	Page
1-1. GENERAL INFORMATION .....	1-2
1-1.1. Ratings and Performance Characteristics .....	1-2
1-1.2. Design Improvements .....	1-2
1-2. SERIAL NUMBERS .....	1-3
1-2.1. Frame .....	1-3
1-2.2. Cylinders .....	1-3
1-2.3. Cylinder Nameplate Information .....	1-4
A. Cylinder Type, Serial Number, Bore & Stroke .....	1-4
B. Maximum Allowable Working Pressure .....	1-5
C. Maximum Allowable Discharge Gas Temperature .....	1-5
D. Hydrostatic Test Pressure .....	1-5

---

### 1-1. GENERAL INFORMATION

The first HOS ever built came out in the form of a 2 throw in late 1980 (YRH101). Approximately a year and a half later, the first 4 throw emerged (YRH113), and in early 1984 the 6 throw made its debut (YRH174). Since the first HOS was introduced back in 1980, over 650 (and counting) frames have made their way into the gas field market. Within this time, there have been numerous design improvements, both in the frame and respective cylinders. The following sections center on these improvements and the performance capability of the HOS compressor.

#### 1-1.1. Ratings and Performance Characteristics

Maximum Allowable Operating Rod load: 60,000 lbs compression and tension

Stroke:	<b>6.00" STROKE</b>	<b>7.00" STROKE</b>
Maximum Speed	1200 PRM	1000 RPM
Minimum Loaded Speed:	500 RPM	500 RPM
Maximum BHP/Throw:	1000 HP	1100 HP*
Piston Rod Diameter:	2.50 in.	2.50 in.
Cylinder Sizes Available:	3.50" - 26.50"	3.50" – 26.50"
Maximum Cylinder Working Pressures:	130 –8800 psig	130 – 8800 psig

Direction of Rotation: Counter-clockwise from pump end view

\* Applies to 2 & 4 throw; 1000 for 6 throw

#### 1-1.2. Design Improvements

- 1985** - *Increased radii and wall thickness within frame access windows:* This area was determined to be a weak link on some frames due to a casting cooling phenomenon known as "shrink". Incorporating this change insured a proper cooling rate and eliminated the potential for any shrinkage to develop, thus maintaining the integrity of the frame casting itself.
- 1987** - *Combined piston rings:* These rings replaced the moly micarta type rings. This type of non-metallic ring supports the piston off the bore thus increasing bore life and reducing the potential for scuffing.
- 1988** - *PF valving:* This D-R ported valve replaced the I-R channel type and Hoerbiger plate valve. It's unique valve plate design and material improved efficiency and reliability substantially.
- 1994** - *Plug unloaders and partial PF inlet valves:* As a result of the number of problems the recip industry has encountered with finger type valve unloaders, D-R developed a partial valve and plug unloader design to replace the old finger type. This greatly improved the reliability on unloading devices while improving cylinder loaded and unloaded efficiencies.

- 1994 - *Internal crankshaft counter weight:*** On 2 and 4 throw frames, an internal counterweight was added onto the oil pump end of the crankshaft. Another weight was then mounted externally onto the coupling hub or flywheel. In conjunction, these weights considerably reduced the horizontal moments on these frames. The 6 throw frame due to its cylinder phasing is inherently balanced and does not have a need for counterweights.
- 1995 - *Gas cooled HOS cylinders:*** With the introduction of the gas cooled cylinder line-up, this enabled the customer to make a competitive choice for the application at hand.
- 1996 - *Nodular iron crossheads:*** Due to the poor casting quality associated with the cast steel crosshead, the switch to a high strength nodular iron material was made. Not only did this dramatically improve the casting quality, but this material has better strength characteristics for reversing loads than the previously supplied cast steel.
- 1998 - *Precision type main bearings:*** This replaced the shim adjustable type bearing thus making them much easier to service. Since this involved a physical change with the frame itself, all frames with this upgrade have a serial number greater than 799 (ex: 6HF800 or 6HF1045).
- 1998 - *Internal counterweighted crankshaft:*** This design improvement takes 1994's improvement one step further by eliminating the need for an external weight. The crankshaft now has a weight assembled onto both ends. This required a crankshaft change and once again, all frames that are supplied with this upgrade will have a serial number of 800 or larger.
- 1999 - *Frame oil filter:*** The standard single frame oil filter is now mounted on the frame and piped to the oil header to ease packaging costs and ensure cleanliness downstream of the filter.

## 1-2. SERIAL NUMBERS

Correspondence concerning your compressor and related equipment must include the serial numbers of the equipment about which you are writing. A complete record of serial numbers and other data on your Dresser-Rand compressor is kept at the factory; giving the serial numbers in your correspondence and parts orders helps us in providing prompt service.

### 1-2.1. Frame

The compressor frame serial number applies to the frame and running gear parts. It is located on a nameplate, which is attached to the side of the frame at the oil pump end. The serial number is also permanently stamped directly below the nameplate in the frame metal. It consists of several letters and numbers. Always give the complete serial number (for example, 6HF-1090).

### 1-2.2. Cylinders

Each compressor cylinder has its own serial number, which is stamped on a nameplate attached to the cylinder. The cylinder serial number consists of letters and numbers like the frame (for example, 6HC-705). The cylinder nameplate also includes other data; this is described in the section that follows.

### 1-2.3. Cylinder Nameplate Information

Each cylinder manufactured by Dresser-Rand has a nameplate attached to it. The nameplate attached to compressor cylinders is shown in Figure 1-1. The nameplate contains information, which allows both the customer and Dresser-Rand to identify a particular cylinder. In addition, the performance information given provides a guide for the operation of each cylinder. The following is an explanation of some of the terms used on a nameplate.

**DRESSER-RAND**  
GAS FIELD COMPRESSORS

CYLINDER TYPE  SER NO

BORE: NOM.  IN. BORE LINERED  IN.

MAX. ALLOWABLE WORKING PRESSURE  PSI

HYDROSTATIC TEST PRESSURE  PSI

MAX. DISCHARGE TEMPERATURE  °F

5710 S. GARNETT ROAD  
TULSA, OKLAHOMA, U. S. A.

TP-4609A

Figure 1-1. Cylinder Nameplate

#### A. Cylinder Type, Serial Number, Bore & Stroke

The type of compressor the cylinder is installed upon is stamped in the first block of the nameplate. The next block is for the serial number of the cylinder. The cylinder serial number is the most important item stamped on the nameplate, for it allows the customer, the distributor and the manufacturer to identify a particular cylinder, its specifications, the parts used to build it and the performance conditions for which it was designed. This is important in that it allows tracking of a particular cylinder throughout its history, no matter what frame it may be installed on in later years. Always give this serial number when ordering spare parts. This will expedite the handling of your order and help prevent shipment of incorrect parts.

The next block on the nameplate is where the cylinder bore size is stamped. The cylinder bore is the inside diameter of the cylinder. If there is a liner present, the cylinder bore is the inside diameter of the liner. There is a block for lined bores on the current nameplate. This is also the nominal piston diameter. Liners of different thicknesses can be installed in a given cylinder to vary the bore diameter.

### **B. Maximum Allowable Working Pressure**

The maximum allowable working pressure, or MAWP, is the maximum gas pressure permitted in the cylinder. The cylinder may be operated for short periods of time at pressures up to this figure provided that other factors (such as driver horsepower, maximum bearing loads and piping and vessel limitations) do not prohibit this. Safety valve settings are usually much lower than this figure, and may never exceed it in any case.

### **C. Maximum Allowable Discharge Gas Temperature**

This is the highest temperature to which any compressor cylinder parts should be exposed.

### **D. Hydrostatic Test Pressure**

The pressure at which the cylinder has been hydrotested. Hydrostatic tests are always done at pressures greater than the MAWP.



**DRESSER-RAND****LUBRICATION**

## HOS

### Chapter 2

Paragraph	Page
2-1. GENERAL .....	2-2
2-2. FRAME AND RUNNING GEAR LUBRICATION SYSTEM .....	2-2
2-2.1. Main Oil Pump .....	2-3
A. Main Oil Pump Removal & Disassembly .....	2-3
B. Main Oil Pump Assembly & Installation .....	2-4
2-2.2. Oil Pressure Regulation Valve .....	2-5
2-2.3. Oil Pressure Safety Relief Valve .....	2-6
2-2.4. Hand Oil Priming Pump .....	2-6
A. Hand Oil Priming Pump Removal & Disassembly .....	2-7
B. Hand Oil Priming Pump Assembly & Installation .....	2-8
2-2.5. Oil Pressure Gauges .....	2-8
2-2.6. Low Oil Pressure Shutdown Protection .....	2-9
2-2.7. Oil Cooler (Heat Exchanger) .....	2-9
2-2.8. Oil Filter .....	2-10
2-2.9. Frame Oil Recommendations .....	2-11
A. General Requirements .....	2-11
B. Viscosity Requirements .....	2-11
C. Inspection .....	2-11
D. Oil Change Schedule .....	2-11
2-2.10. Frame Oil Level .....	2-12
2-2.11. Frame Breather .....	2-12
2-3. CYLINDER LUBRICATION SYSTEM .....	2-13
2-3.1. Pump-to-Point Lubrication System .....	2-13
A. Lubricator Operation .....	2-13
B. Lubricator Adjustment .....	2-13
2-3.2. Block-type Lubrication System .....	2-15
A. Filling and Purging the System .....	2-18
B. Maintenance and Troubleshooting .....	2-19
2-3.3. Cylinder Oil Recommendations .....	2-21
A. General Requirements .....	2-21
B. Service Considerations .....	2-22
C. Inspection .....	2-23
D. Synthetic Lubricants .....	2-23
2-3.4. Break-in and Operation .....	2-23
2-3.5. Extended Shutdown .....	2-25
2-3.6. System Malfunctions and their Causes .....	2-25

# Lubrication

## 2-1. GENERAL

The importance of selecting the correct lubricating oil and then properly maintaining the lubricating system cannot be over-emphasized. Using a lubricating oil not suited to the application can shorten the service life of the compressor and lessen its efficiency, as will a poorly maintained lubricating system. Use only a high grade of oil that meets the general, physical and chemical requirements as specified in this section.

Do not wait for lubrication difficulties to appear. If there is some question as to the correct lubricant to use for a particular application, consult a reputable oil supplier.

Lubrication of contact surfaces is intended not only to reduce friction and wear between parts but also to carry away any heat developed where high speeds and loads are encountered. If the compressor lubricating system is to accomplish these purposes, it is essential that the correct oil is used and that the following recommendations for maintaining the lubricating system are closely observed.

## 2-2. FRAME AND RUNNING GEAR LUBRICATION SYSTEM

The standard lubrication system is diagrammed in Figure 2-1. The oil is drawn into the crankshaft-driven gear type oil pump from the frame sump. The pump forces the oil first through a cooler and then through a filter before it is delivered to the main bearing oil header, which is a pipe cast into the frame. The oil is delivered to each main bearing through holes drilled in the bearing saddles to the oil header. From the main bearings, oil passes through drilled passages in the crankshaft to the crankpin bearing. A rifle-drilled hole in the connecting rod conducts oil from the crankpin to the connecting rod pin in the small end of the rod. The pin then feeds oil to the connecting rod bushing and to the crosshead which then feeds oil to the guides. After passing through and lubricating the various parts, the oil drains back into the sump area.

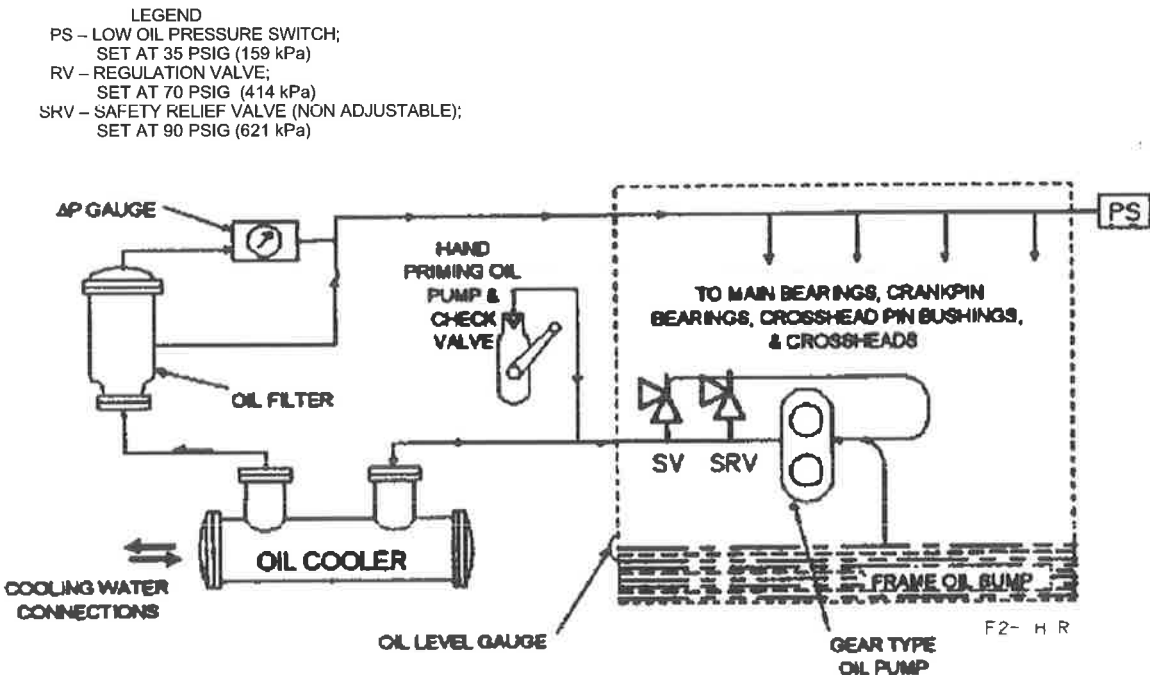


Figure 2-1. Typical Frame and Running Gear Lubrication System



Relief valves, a differential pressure gauge and a low oil pressure shutdown switch are incorporated into the standard system. These items are described in greater detail in the text that follows.

In addition to the standard equipment, optional equipment may be incorporated into the system for a particular application.

A hand-operated priming pump is included in the standard system to permit pre-lubrication of the bearings and to build up a slight pressure in the lubricating system prior to start-up. There is a check valve built into the pump to prevent the reverse flow of oil through the priming pump circuit when the main pump is operating.

An optional motor-driven auxiliary oil pump can be used instead of the hand-operated priming pump. When the auxiliary pump is used, a check valve must be located in the priming pump discharge line to the main oil pump discharge.

### 2-2.1. Main Oil Pump

The main oil pump supplies oil under pressure to the frame and running gear lubrication system. This pump is internally mounted inside the frame, as shown in Figure 2-2, and is direct-driven off the end of the crankshaft by a dowel and hub drive arrangement. The oil pump should not be dismantled unless it has lost capacity.

#### A. Main Oil Pump Removal & Disassembly

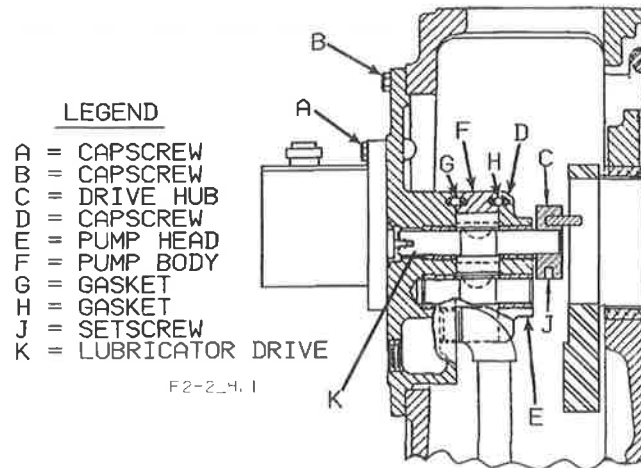
The main oil pump is internally mounted in the frame and is directly driven off the end of the crankshaft by a pin and hub drive arrangement. The oil pump should not be dismantled unless it is suspected that it has lost capacity.

### **▲ CAUTION**

**All precautionary measures specified by the Occupational Safety and Health Act of 1970 (OSHA) must be complied with when storing, handling, or using solvents.**

Deposits of hard lacquer in the pump assembly are not usually objectionable unless they are extensive enough to cause binding. Deposits of this nature in the pump can often be removed by flushing the pump with a safety solvent, without disassembling it.

1. Disconnect the oil pump discharge pipe and the hand oil pump piping (if used) from the frame end cover at the oil pump end of the unit.
2. Remove the shaft-driven lubricator unit (if used) from the end cover by disconnecting the lube lines and taking out capscrews (A) as shown in Figure 2-2. Use a straight pull to disengage the drive.
3. Remove the frame end cover and oil pump assembly by first removing capscrews (B) and then carefully pulling the assembly away from the frame.
4. Take the drive hub (C) off the pump drive shaft by removing the setscrews (J).



**Figure 2-2. Main Oil Pump and Lubricator Drive Assembly**

5. The oil pump head (E) and pump body (F) are both removed by taking out the long cap screws (D) that fasten the parts to the frame end cover. These parts are also doweled together. Work carefully when separating the parts so that the plastic gaskets (G) and (H) are not damaged.
6. The pump gears and their shafts can now be removed from the frame end cover. Before removing the gears, mark them so that they can be re-meshed in the same relative position.

## **▲ CAUTION**

**All precautionary measures specified by the Occupational Safety and Health Act of 1970 (OSHA) must be complied with when storing, handling, or using solvents.**

7. Clean the pump parts in a safety solvent and examine the gears, shafts, and bushings for excessive wear. If these parts are badly worn they can be replaced, but it is generally more economical to install a new pump.

### **B. Main Oil Pump Assembly & Installation**

1. If new shaft bushings are to be installed, they must be shrink fitted (by freezing) into the frame end cover and pump head.
2. Reassemble the pump body and head over the gears and shafts, being sure to place the plastic gaskets (G) and (H) on each end of the pump body (F). Orient the end cover, pump body and pump head with the dowels, then insert and tighten cap screws (D) evenly. The total end clearance in the pump gears should be 0.006 to 0.009 inch (0.15 to 0.23 mm). Turn the pump shaft by hand to check for any binding in the pump.

3. Slide the drive hub onto the pump shaft with the key in place, but do not fasten it in place at this time. Snug one of the hub setscrews against the shaft just tight enough to hold the hub in place during installation.
4. Install the end cover and pump assembly on the frame, being careful to align the slot in the drive hub with the pin in the end of the crankshaft. Replace the capscrews (B) and tighten them evenly.
5. Replace the shaft-driven lubricator (if used) on the frame end cover. An O-ring seal is placed between the parts. Be sure the drive shafts are engaged properly, then tighten the capscrews (A).

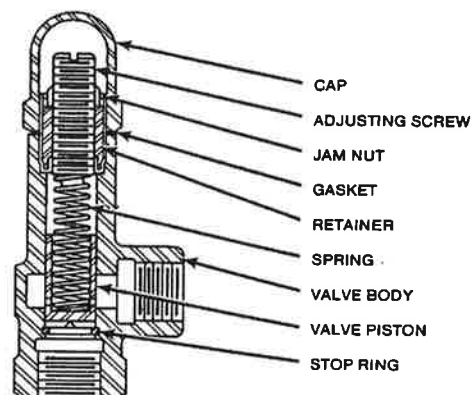
### SERVICE NOTE

Access to the hub can be gained through the top inspection opening in the frame.

6. Position the drive hub on the pump shaft to obtain end clearance of about 1/16 inch (1.6 mm) between the hub and crankshaft. *It is important that this end clearance be established to prevent end thrust on the pump gears.* Lock the drive hub in this position with the setscrews (J). There is a tapped hole in the hub and the setscrews must be inserted into this hole. Tighten the first screw firmly against the shaft, then run a second one on top of it and tighten it to keep it from working loose. Rotate the crankshaft through 360° to ensure the crankshaft dowel pin does not bind in the hub slot in any position.
7. Replace any piping and frame covers that were removed. Check the piping connections for leaks after all piping is installed.

### 2-2.2. Oil Pressure Regulation Valve

The oil pressure regulation valve, illustrated in Figure 2-3, controls the oil pressure to the frame lubrication system. Any excess capacity is then bypassed to the main oil pump suction. The valve is preset to relieve at approximately 55-60 PSIG (378-413 kPa). However, field adjustment may be performed to compensate for differences in oil viscosity. To increase oil pressure, remove the valve cap and turn the screw clockwise. Under normal operating conditions oil pressure should be kept as near 55-60 PSIG (378-413 kPa) as possible.



TP-1330-B

Figure 2-3. Oil Pressure Regulation Valve

## Lubrication

If the regulating valve can no longer maintain system pressure it must be inspected as follows:

To disassemble the valve, remove the valve cap (see Figure 2-3) and its gasket, then remove the locknut, the adjusting screw, retainer, spring and piston in that order. It is not necessary to remove the stop ring under the piston. Examine the parts for wear and/or scoring. Replace any defective parts, after cleaning all parts to be reused. Assembly is the reverse of the disassembly procedure.

### 2-2.3. Oil Pressure Safety Relief Valve

The oil pressure safety relief valve, illustrated in Figure 2-4, is set to relieve when excessive pressures results. This can happen during cold oil starting, when the oil is viscous and pressures are consequently higher, or in the case of a major blockage in the oil system. The currently installed valve is not field adjustable, nor is it field repairable. If the valve malfunctions, order a new valve using the part number contained in the compressor parts list. This valve is set at 90 PSIG (620 kPa).

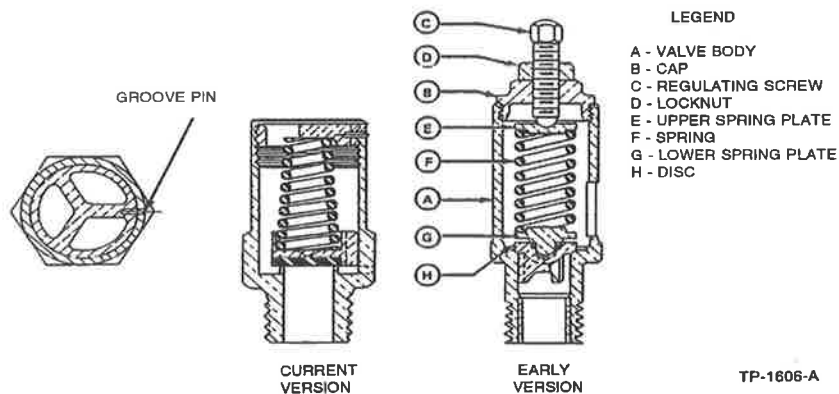


Figure 2-4. Frame Oil Pressure Relief Valves

### 2-2.4. Hand Oil Priming Pump

The standard hand-operated pump or optional motor-driven auxiliary pump is used to pre-lubricate bearing surfaces and build up a slight pressure in the lubricating system before start-up. This pump should require little service.

## ⚠ CAUTION

On electric motor driven machines a prelube pump is required. See CHAPTER 5, GENERAL DATA & SPECIFICATIONS for recommended minimum prelube capacities.

The hand oil priming pump, Figure 2-5, may be serviced easily by first closing all connecting valves to isolate it from the system, then by disconnecting its piping and removing the mounting capscrews.

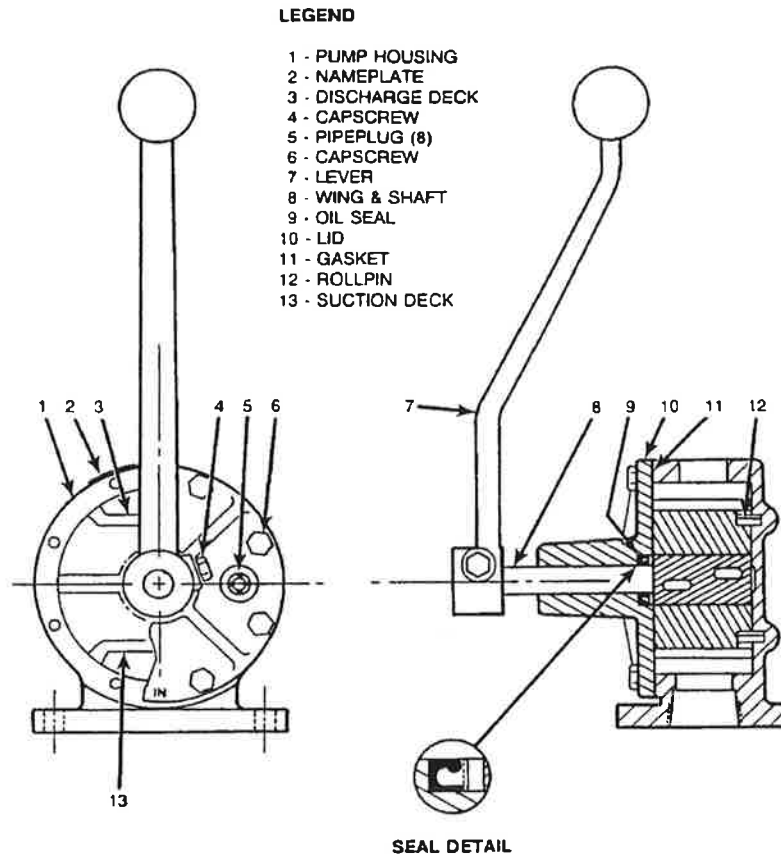


Figure 2-5. Hand Oil Priming Pump

**A. Hand Oil Priming Pump Removal & Disassembly**

1. Loosen the capscrew (4), then slide the pump lever (7) from the shaft.
2. Remove capscrews (6), then pull the lid (10), wing and shaft assembly (8) and oil seal (9) out of the housing as an assembly.

**NOTE**

Note the inlet and discharge connections and the relationship of these to the internal valves. The fill plug (5) will be correctly located at the three o'clock position upon assembly.

3. Remove the housing gasket (11) and clean the mating surfaces.

## Lubrication

---

4. Slide the wing and shaft assembly out of the lid. Using a hook or screwdriver, pry the oil seal (9) from the lid. Note the orientation of the seal lips.
5. Lift the suction deck assembly (13) and discharge deck assembly (3) out of the housing (1).
6. Check the locating pins (12) for damage and replace as required.

### B. Hand Oil Priming Pump Assembly & Installation

#### **▲WARNING**

**All precautionary measures specified by the Occupational Safety and Health Act of 1970 (OSHA) must be complied with when storing, handling, or using solvents.**

1. Clean all components using safety solvent.
2. Inspect all parts for wear or damage. Suction decks, discharge decks and shaft and wing assemblies are sold only as complete assemblies.
3. Install locating pins (12), if removed, then install the suction deck assembly (13) with its valves pointing towards the center of the pump. Install the discharge deck assembly (3) with its valves pointing away from the center of the pump.
4. Lightly lubricate the oil seal assembly (9) and press the oil seal into the lid using an arbor press or hydraulic press and a suitable seal driver. The oil seal lips must face the oil to be sealed.
5. Slide the wing and shaft assembly (8) into the lid.

#### **NOTE**

Be careful not to roll the seal lips during this operation. The raised bosses on the wing should be pointing towards the suction deck so that the lever can be properly connected.

6. Install the housing gasket set (11), slide the lid over the shaft and secure the lid using capscrews (6).
7. Check the shaft end-play. If the end-play exceeds 0.008 inch (0.20 mm) remove the lid and discard one of the housing gaskets.
8. Install the hand lever (7) and secure it with capscrew (4).

### 2-2.5. Oil Pressure Gauges

The standard lubrication system utilizes a pressure gauge containing an integral shutdown switch. In addition, a differential pressure gauge is installed across the oil filter inlet and outlet to enable the operator to constantly monitor the condition of the filter elements. The drop across a new filter with oil at operating temperature is usually less than 5 PSIG (35 kPa). Cold oil or a dirty filter will increase the pressure differential across the filter. The oil pressure on the discharge side of the filter is the approximate pressure to the main bearings.

### 2-2.6. Low Oil Pressure Shutdown Protection

As described in Section 2-2.5, low oil pressure protection is provided by a combination indicating gauge and shutdown switch which monitors the pressure at the end of the main bearing oil header away from the oil pump. The minimum switch shutdown setting is 35 PSIG (243 kPa) decreasing oil pressure. This switch is set at the factory and should not be readjusted. If the packager uses their own shutdown device it must be set at 35 PSIG (243 kPa).

With the crankshaft-driven main oil pump, it is necessary to keep the low oil pressure shutdown device inoperative during compressor start-up to allow the unit to start and build up the oil pressure.

### **▲ CAUTION**

**Whenever the compressor is started, visually check the switch-gauge to ensure adequate system pressure. This is necessary as most control systems have the oil pressure shutdown bypassed for approximately 60 seconds to allow the unit to start and build up the oil pressure. During this time there is no protection against low oil pressure.**

### 2-2.7. Oil Cooler (Heat Exchanger)

The standard oil cooler is a shell and tube type heat exchanger with oil in the shell and water in the tubes. The oil temperature in the frame sump should be maintained within the range given in CHAPTER 5, GENERAL DATA & SPECIFICATIONS under normal conditions. The oil temperature out of the cooler is controlled by regulating the flow of water through the cooler. The oil cooler must be periodically inspected and cleaned if necessary.

***A regular periodic maintenance schedule should be established and followed with any heat exchanger. The following is recommended:***

1. Drain the coolant and oil from the cooler.
2. Remove the bonnets from the heat exchanger and inspect the tubes for erosion or oxide deposits. Scrape the pencils to expose a bright, clean surface. If the pencils are eroded to one-half their original diameter, replace them.
3. Carefully examine the tube bundles for scale or other build-up and clean as required. After cleaning, always inspect the tubes for corrosion or erosion.

### **▲ WARNING**

**All precautionary measures specified by the Occupational Safety and Health Act of 1970 (OSHA) must be complied with when storing, handling, or using solvents.**

4. Clean all interior surfaces. This can be done several ways. Many deposits can be removed by flushing with high-velocity steam or water. For more stubborn deposits, wire brushing and rodding can be employed. Both shell and tube sides can also be chemically cleaned. Make sure any cleaning chemicals are thoroughly flushed from the heat exchanger before putting it back in service.

5. Reassemble the oil cooler. Assembly is the reverse of the disassembly procedure.

### NOTE

At start-up or after a maintenance inspection both shell and tube sides should be carefully vented and must be completely filled.

### 2-2.8. Oil Filter

The standard oil filter is frame mounted. This filter is a canister type with replaceable element. A pipe plug is provided at the bottom of the filter housing to allow it to be drained.

The oil pressure drop through the filter is monitored by the differential pressure gauge and the filter element should be replaced whenever the pressure drop exceeds 13 to 15 PSIG (91 to 105 kPa) with the oil at operating temperature. Pressure drop with clean oil at operating temperature is approximately 3-5 PSID (21-35 kPa Differential); flow rate varies depending upon the viscosity of the oil.

On early units the oil filter is not frame mounted and uses a different style filter arrangement. The oil pressure drop through the filter is monitored by the differential pressure gauge and the filter element should be replaced whenever the pressure drop exceeds 8 to 10 PSIG (55 to 70 kPa) with the oil at operating temperature. Pressure drop with clean oil at operating temperature is approximately 3-5 PSID (21-35 kPa Differential); flow rate varies depending upon the viscosity of the oil.

To ensure maximum protection for the compressor, check the filter element frequently for clogging or channeling. The filter element should be replaced whenever the frame oil is changed.

Duplex filters can be supplied by Dresser-Rand as optional equipment. If these are installed, a transfer valve enables one filter to be switched "on line" while the other is serviced or placed in the "standby" mode. Service is similar to that for the single filter element described later.

#### ***Oil filter element replacement is as follows:***

1. Stop the compressor, following procedures found in the appropriate section of this Instruction Book.
2. Drain the filter by removing the drain plug.
3. Remove the canister by loosening the lock ring until the canister becomes free.
4. Remove the element and canister together. Then wash the canister with safety solvent. Agitating the solvent during the process will assist in removing loose dirt. The canister should be thoroughly dried before installing a new element.
5. Install the new element with the canister surrounding the element.
6. Tighten the lock ring.
7. Add oil to fill the canister by utilizing the hand oil priming pump until pressure is reached at the gauge.



8. Run the unit, following standard start-up procedure, and observe the filter for leaks. We recommend an observed run of at least ten minutes.

### 2-2.9. Frame Oil Recommendations

Use a good grade of highly refined oil as recommended by a reputable oil supplier or company. The oil selected for use, as a frame lubricant must meet the following requirements.

#### A. General Requirements

The oil must be well-refined petroleum product with low carbon residue. It should not contain fats or fixed oil compounding. Oil containing rust and oxidation inhibitors and a foam depressant is preferred. The oil selected must be substantially non-corrosive to the common bearing metals, with a pour point at least 10°F (5.6°C) below ambient temperature when the unit is started for engine drives.

Multiviscosity lubricants may be used in the crankcase where widely variable ambient temperatures are encountered, provided that the lubricant maintains a viscosity of 115 to 150 SSU (23.7 to 31.8 cSt) at normal operating sump temperature.

When heavier lubricants are used to accommodate higher sump temperatures, crankcase heaters may be required if ambient temperatures fall below 50°F (10°C) to maintain the sump temperature above the pour point.

It is recognized that the oil recommended by the engine manufacturer (when an engine drive is supplied) is normally heavier (in the SAE 40 viscosity range). When this is the case and the user desires to stock only one oil for use in both the engine and compressor crankcases, the heavier weight oil recommended for the engine may also be used in the compressor crankcase. Under cold ambient starting conditions, it is recommended that the oil sump temperature be at least 10 to 20°F (5.6 to 11°C) above the pour point prior to starting for engine drives. This may require the use of auxiliary crankcase heaters.

If sump temperatures above 165°F (74°C) are experienced, the lubricant should be monitored more closely for nitration effects and more frequent oil changes should be scheduled to prevent an increase in long term maintenance problems.

#### B. Viscosity Requirements

The viscosity requirements for the crankcase oil are as shown in Table 2-1.

#### C. Inspection

Conduct all testing of the lubricating oil in accordance with the Standard Methods (latest edition) of the American Society for Testing Materials (ASTM).

#### D. Oil Change Schedule

The oil should be changed every **2000 to 4000 hours**, or **every 6 months**, depending on local conditions, or as indicated by oil analysis. Most reputable oil companies offer laboratory analysis services of oil samples on request. We highly recommend the use of this type service. A once-a-month analysis schedule is recommended when the compressor is operated under severe conditions.

## Lubrication

Where the compressor is operated in an extremely dirty atmosphere, installed outdoors, operated intermittently, handling foul gas, or where the oil reaches high temperatures in a very hot atmosphere, it may be necessary to change the oil more often.

Table 2-1. Crankcase Oil Viscosity Requirements

	SUMP OIL TEMPERATURE		
	Below 145°F (63°C) SAE 20	145-165°F (63-74°C) SAE 30	165-180°F (74-92°C) SAE 40
VISCOSITY AT 100°F (38°C) Saybolt Universal, SSU Kinematic Viscosity, cSt	420 90.5	600 129.5	750 162.5
VISCOSITY AT 210°F (99°C) Saybolt Universal, SSU Kinematic Viscosity, cSt	50 7.3	60 10.5	70 13

### 2-2.10. Frame Oil Level

The amount of oil required may vary slightly from the values listed in Chapter 5 (GENERAL DATA & SPECIFICATIONS). There is a gauge glass located at the oil pump end of the frame, which should be checked periodically, and the oil level maintained as follows:

1. When the unit is running under normal operating conditions, the oil level should be maintained to the line in the center of the sight glass. A filler connection is provided in the frame for adding oil to the sump.

#### NOTE

Do not fill to a point where the rotating parts will strike the oil surface; this will cause foaming and loss of oil pressure from the main pump. If the oil level is allowed to drop below the gauge glass, air may be introduced in the oil or oil pump and cause a fluctuating or total loss of oil pressure to the bearings.

### 2-2.11. Frame Breather

The breather, which is mounted on the frame, vents the frames interior to atmosphere while condensing oil vapors and returning the condensed oil to the frame sump. Examine the element at regular intervals and service it as required.

#### **⚠ WARNING**

All precautionary measures specified by the Occupational Safety and Health Act of 1970 (OSHA) must be complied with when storing, handling, or using solvents.

To service the element, remove the breather's cover. Clean the element by washing it in a safety solvent and allowing it to dry.

### 2-3. CYLINDER LUBRICATION SYSTEM

A mechanical lubricator provides lubrication of the compressor cylinder bores, and pressure piston rod packings. For some applications, "pump-to-point" lubrication is supplied where each lubrication point is fed from an individual lubricator pumping unit. Normally, a metered "Block-type" oil distribution system is furnished with the oil supply coming from the frame. With either method, a check valve is required at the cylinder connection of each oil line to prevent compressed gas from passing back through the lubrication system. Both systems are described below.

Recommendations are given to enable selection of suitable oil for a particular application and to determine an optimum feed rate. For external suction lubricator reservoirs, you must maintain a good grade of lubricant to lubricate internal components. It must be a viscosity grade of ISO 680 compounded with acidless tallow AGMA-8. This provides a high degree of sliding motion under pressure and minimizes wear. It is recommended that the oil be changed at least every 6 months.

#### 2-3.1 Pump-to-Point Lubrication System

HOS compressor cylinders are lubricated by a mechanical lubricator mounted on the frame end cover. The lubricator is directly driven by the oil pump drive shaft. The lubricator drive is shown in Figure 2-2.

##### A. Lubricator Operation

The oil in the lubricator sump is forced by action of the individual pumping units through tubing and check valves to the cylinder bores and piston rod packing. Each pumping unit in the lubricator is adjustable to permit regulation of the oil feed to the various points. Each pump unit is actuated by a rocker or roller type cam follower and cam assembly (see Figure 2-6), causing a plunger piston within the pump body to reciprocate. The pump stroke, thus the pump output, can be varied by adjusting the adjusting sleeve shown in the drawing. Maximum output is achieved with the sleeve fully extended from the pump body.

As the plunger moves downward in stroke, oil is drawn through the suction check valve into the plunger bore from the sight feed reservoir. Removing this volume of oil from the sight feed reservoir creates a vacuum, which causes more oil to be drawn into the reservoir via the suction tube. A small quantity of oil then enters the sight feed nozzle and drips into the reservoir below. The quantity of oil can be determined by counting the drops as they fall. As the plunger moves upward, oil is forced from the plunger bore through the outlet check valve into the feed line to the lubrication point.

##### B. Lubricator Adjustment

***When starting the unit for the first time, prime each lubricator pump as follows:***

1. Remove the sight feed plug and fill the sight feed about one-third full of oil.
2. Manually operate the pump, using the priming stem, until air-free oil is discharged from the pump outlet.

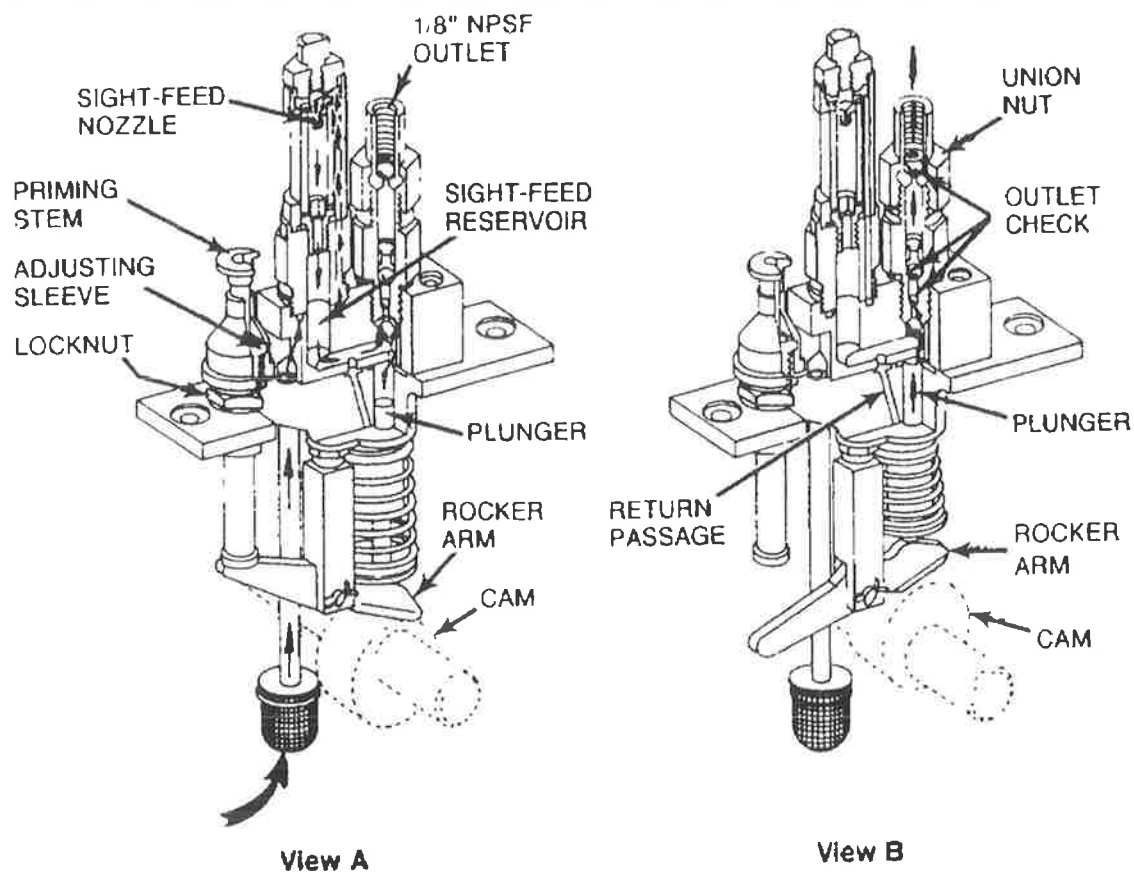


Figure 2-6. Lubricator Pump Assembly

3. Connect the lube feed line to the outlet and continue to hand prime until the line is filled. Connect the other end of the line to the discharge check valve (one at each lube point) and pump a few more strokes to fill the check valve.
4. Refill the sight feed to the one-third full mark, then check the reservoir to make sure it is filled and adjust the pump output (Step 5).
5. With the lubricator in operation, observe the number of drops falling through the sight feed glass over the course of one minute. Adjust the adjusting sleeve to achieve the required number of drops per minute. See Table 2-2. On a good, airtight assembly it is normal for the air in the sight glass to be dissolved in, and gradually replaced by, the oil. This is of no consequence so long as the lubricator reservoir is maintained full and there are no suction side leads in the pumping unit.

## ▲ CAUTION

If the oil level in the sight glass constantly decreases during operation, it indicates that the vacuum created in the sight feed is pulling entrained air from the oil as it passes through. If this continues for any period of time, an air lock in the system can result. When this occurs, the drops normally seen falling in the sight glass will cease. Because no oil is getting to the lubrication point, this can cause serious damage to the compressor. Air lock can be eliminated by refilling the lubricator reservoir, loosening the lube feed line at the pump outlet and manually pumping the unit with the priming stem until no air bubbles are visible in the oil stream. Note that if a fairly rapid loss of oil occurs, the cause is often a leak on the suction side of the pump.

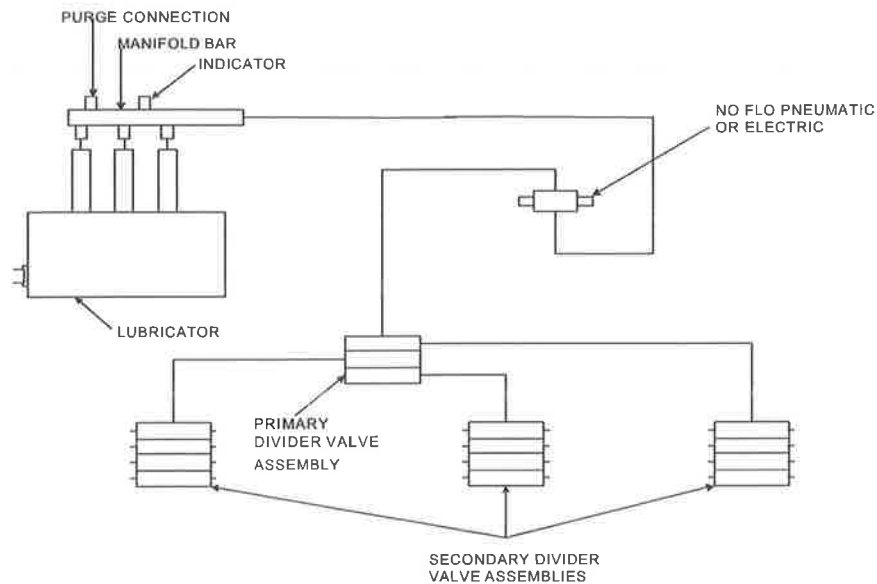
**Table 2-2. Oil Feed Drops per Minute (dpm) Total to Cylinder  
CYLINDER DISCHARGE PRESSURE (PSIG)**

Cylinder Diameter (inches)	CYLINDER DISCHARGE PRESSURE (PSIG)					
	25-150	150-300	300-600	600-1500	1500-3000	3000-7500
3 – 6						26-35 dpm
4 – 8	5-14 dpm	11-18 dpm	12-21 dpm	16-28 dpm	21-32 dpm	
8 – 10	7-16 dpm	14-21 dpm	18-26 dpm	21-35 dpm		
10 – 12	9-19 dpm	16-25 dpm	21-32 dpm			
12 – 14	11-23 dpm	19-30 dpm	25-37 dpm			
14 – 16	12-26 dpm	23-35 dpm				
16 – 18	14-30 dpm	25-37 dpm				
18 – 20	16-33 dpm					
20 – 22½	18-37 dpm					
22½ – 26	19-40 dpm					

Drops per minute ÷ .415 = Cubic Inches

### 2-3.2. Block-type Lubrication System

In a metered block-type system, the compressor cylinders are lubricated by a completely integrated unit, which is mounted at the pump end of the frame, and driven directly by the main oil pump drive shaft. One or more conventional mechanical “force-feed” lubricator pumping elements pumps oil under pressure in measured quantities. The system operates as follows: (See Figure 2-7 for a typical installation.) Oil is pumped into a single main line through a filter and a flow switch. The oil is then discharged into the divider valve assembly and from there to various points on the cylinder(s). (The number of lubricator pumping elements varies with the number of cylinders on the frame.) When only a single cylinder is used (in conjunction with a balance cylinder), the extra block outlets are manifolded together and connected back to one of the drain connections in the lubricator.



**Figure 2-7. Typical Block-Type System Schematic**

The flow switch can be used to sound an alarm, or it can be connected to a shutdown device on the driver. The lubrication system is a single-line, progressive, positive displacement system which divides pump output into pre-determined, proportional amounts. It then distributes these amounts to the points of lubrication.

In this type system, the pistons within each divider block assembly are cycled by input flow, continuously dividing and distributing lubricant until input flow ceases. By varying piston diameters, the amount of lubricant received by one point can be changed relative to the amount received by other points in the assembly. The piston not only divides the flow, but also proportions the flow. Due to the valve arrangement, this dividing and proportioning action starts again when input flow is resumed. This assures positive lubricant delivery to each point. Figure 2-8 shows how each piston is "valved" by the completion of a full stroke of a previous piston.

Each divider valve assembly consists of 3 to 8 valve blocks mounted to a base block. O-ring seals between the base and valve blocks provide leak-proof sealing to pressures as high as 6000 PSIG (41.4 Mpa). Lubricant outlets are located in the base block, thus providing easy removal and replacement of worn or contaminated valve blocks without disturbing the base mounting or lubrication lines. All valve blocks are interchangeable in any position on the base block.

One divider valve assembly is capable of serving up to 16 points of lubrication. When more than 16 points of lubrication are to be served, or when good design dictates, a two-stage system is employed. The first stage (the master block) proportions the pump flow, which is subdivided at the second stage (secondary blocks) into the required volumes. In this manner, a multiple number of points can be properly lubricated from one pump supply.

## NOTE

Since the block-type system is based on positive displacement, never block a point intended to be used or try to feed two points from one outlet.

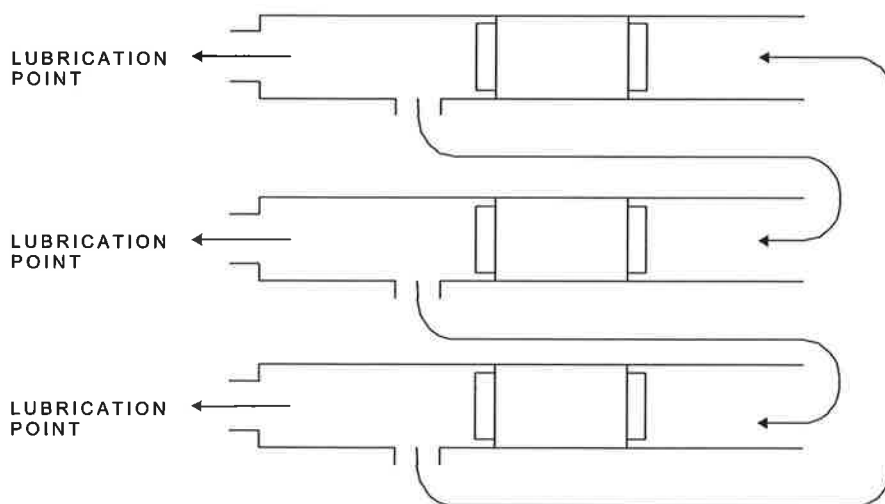


Figure 2-8. Divider Valve Piston Operation

Piston diameters have been selected to provide proper lubrication volumes to each lubrication point. Standard piston sizes result in stroke outputs of 0.006, 0.009, 0.012, 0.018, and 0.024 cubic inches. Each piston makes two strokes (backwards and forwards) per cycle. Two points of lubrication can thus be served from each piston. This type of block is called a "T" (twin-two outlets). The output from each end of a piston can be internally combined to provide twice as much volume to one point. This type of block is called an "S" (single-one outlet).

Table 2-3. Oil Output Per Cycle

PISTON SIZE (VENDOR NO.)	NUMBER OF OUTLETS	VOLUME PER CYCLCLE (CUBIC INCHES) <sup>1</sup>	RELATIVE PROPORTION
6T	2	.006	1
6S	1	.012	2
12T	2	.012	2
12S	1	.024	4
18T	2	.018	3
18S	1	.036	6
24T	2	.024	4
24S	1	.048	8

<sup>1</sup> One drop equals about 0.002 cubic inches

## Lubrication

The output per cycle of each proportioning piston in any given divider block assembly and its relative value to other proportioning pistons in the same divider block assembly is shown in Table 2-3. Valve blocks are marked "T" for twin and "S" for single.

Keep in mind that while the divider block assemblies supply the relative proportions to points of lubrication, the total volume of oil to all points of the system for any given time period is governed by the lubricator pump supply volume.

In some installations, the output from two adjacent valve blocks may be internally combined and discharged from one outlet. This is called cross-porting. Newer blocks are externally cross-ported.

### A. Filling and Purging the System

To ensure proper operation of the lubrication system before start-up or after an overhaul, it is imperative that all tubing and components be filled with oil and free air.

#### *To properly fill and purge the system:*

1. Loosen the tube nuts at all injection points. Loosen the tube nuts at the inlets of all secondary divider valves and loosen the four sockethead setscrews at the inlet end of the block. Loosen all alternate outlet plugs on the face of the master divider valve.
2. Remove one alternate outlet plug from the master and connect a manual oil pump to the alternate outlet. (This pump is available from Dresser-Rand. See Figure 2-9.)
3. Operate the manual pump until clear, air-free oil appears at the inlet of the secondary, then tighten the secondary inlet connection. After tightening the inlet connection, continue to pump until clear oil emerges from the four sockethead setscrews, then tighten the setscrews.

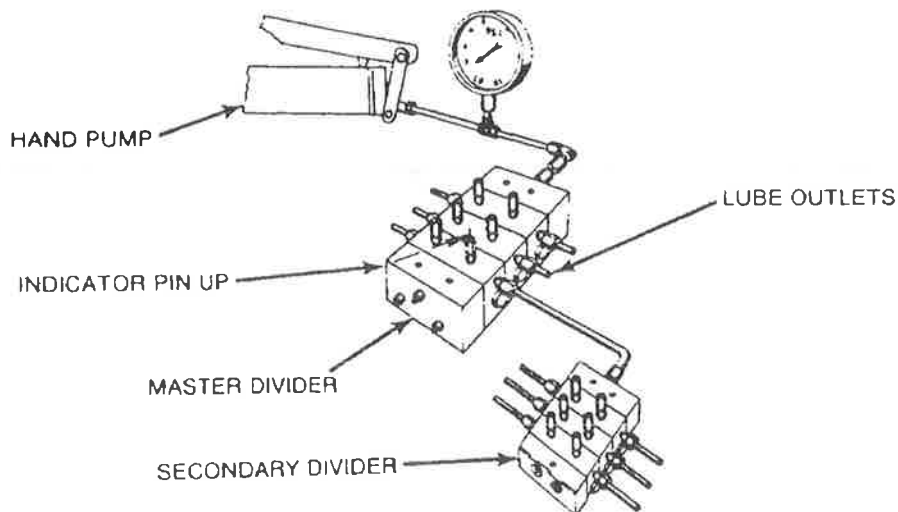


Figure 2-9. Purging Air From Divider Block



4. Continue to pump until air-free oil is discharge at all injection points served by the secondary divider, then tighten the tube nuts at these points. After all lines to the injection points have been filled and tightened, operate the pump for a few strokes while checking for leaks.
5. Remove the manual pump from the master divider alternate outlet, replace the plug (fingertight), connect the pump to another alternate outlet in the master and repeat the procedure outlined above.
6. After all alternate outlets have been purged, and all alternate plugs replaced (fingertight), connect the manual pump to the check valve on top of the manifold bar.
7. Proceed to loosen the following connections: cap of the atmospheric indicator in manifold bar, inlet connection at the flow-meter, no-flow valve, high-pressure switch and master divider valve. Also loosen the four sockethead setscrews and the inlet end of the master.
8. Operate the manual pump, filing the system from the manifold bar until clear, air-free oil appears at each disconnected point in turn. Tighten loose connections, starting from the atmospheric indicator in sequence to the master divider inlet and sockethead setscrews. Continue pumping until clear oil appears at all master alternate outlets. Tighten all alternate plugs in the master so that the entire system is now completely sealed and oil-tight.
9. Operate the manual pump for a few more strokes to finally check for leads or malfunction. Remove the manual pump and plug the check valve.
10. Disconnect the fittings that connect the lubricator pumps to the manifold and operate each pump manually until a steady flow of oil emerges at the top of the pump line.
11. Connect the pumps to the manifold; the system is now ready to operate. Use the correct, clean, and filtered oil at all stems and be sure the reservoir is adequately filled at all times.

### **B. Maintenance and Troubleshooting**

Performance indicators are used to signal excessive system pressure and localize problem areas. Pin type indicators use a rupture disc, which bursts at a predetermined pressure, and causes an indicator pin will remain out until the disc is replaced and the pin is manually reset. Controls can be installed to sense a pressure signal caused by blockage. This signal can be used to shutdown the compressor or ring an alarm. The rupture disc must be replaced to restore normal operation.

A blockage in the lubrication system may be caused by any of the following:

- Crushed tube line in the system
- Blocked or carboned infection point
- Blocked divider valve assembly

**If blockage occurs anywhere in the divider valve system, proceed as follows:**

### **▲ CAUTION**

**Handle all parts with great care and ensure complete cleanliness. These parts are manufactured to very close tolerances and any nick, scratch, or dirt left on them will interfere with proper operation of the divider block.**

## Lubrication

1. Connect a manual oil pump, with gauge, to the inlet of the master divider valve and try to cycle the system by pumping oil into the master. If the master divider is equipped with indicators and the blockage is downstream of the master, one of the indicator pins in the master will protrude. Blockage is then down stream of the discharge line common to the protruding pin. If the system will not cycle and no indicator pin is "up" in the master divider, blockage is then within the master divider.
2. If the master divider valve is not equipped with pin-type indicators, remove (one at a time) each alternate outlet plug in the master, which is common to a discharge port. (When plugs are removed, trapped lubricant will usually surge out of the alternate outlet hole which is common to the blocked outgoing line). Pump oil into the inlet of the master after each plug is removed; if pressure drops, the blockage is downstream of the last outlet so tested. While pumping oil into the master, (with all alternate plugs removed), if no oil is discharged at any open port the blockage is within the master divider valve.
3. Proceed to the secondary divider valve, which is downstream from the blocked port, and remove each alternate plug, which is common to a discharge port. Insert the manual pump into the alternate outlet port back at the master divider valve, which serves as a lubricant to this secondary assembly. Pump oil into the master alternate outlet; if lubricant is discharged freely through each of the alternate outlets in the secondary, blockage is not in the secondary divider valve but is downstream of it.
4. Connect the manual pump into each alternate outlet (one at a time) of the secondary block. If, while pumping oil into one of the secondary alternate outlets, pressure builds up, the blockage has been located. Look for crushed lines, or a blocked injection point.
5. If the secondary divider valve will not cycle or discharge lubricant through the open alternate ports, blockage is within the divider valve. If the divider is blocked internally, it must be removed, disassembled and cleaned.
6. Before disassembling the divider valve, remove only the piston enclosure plugs and with strong finger pressure, work the piston back and forth without removing it. If all pistons are moveable, replace the enclosure plugs and retest the assembly by pumping oil in the inlet. (The particle of dirt, which may have caused the internal blockage, may now be dislodged and the assembly may be back in working condition with no further service to be performed.)

### **⚠ WARNING**

**All precautionary measures specified by the Occupational Safety and Health Act of 1970 (OSHA) must be complicated with when storing, handling, or using solvents.**

7. If piston is jammed, proceed with further disassembly, first making a note of valve block positions on the base (for example: Inlet-6S-24T-9T). With individual valve blocks on the bench, remove the piston enclosure screws. Working with one block at a time, remove the piston. If it appears to be stuck, try removing it from the other direction. The piston may have to be forced out of the block by tapping it with a brass rod. When the piston is removed, flush the piston and block with a suitable solvent. Blow out all ports thoroughly and use a small piece of soft wire to probe the passageways. Inspect the cylinder bore for scratches or score marks. Inspect the piston in the same manner. If either of these parts is damaged, replace the valve block. If the block and piston both appear to be in good condition, reassemble the parts, making sure the piston slides smoothly and snugly in the bore. The final step is to disassemble and clean the base block.

8. After the entire assembly has been cleaned, blown-out, inspected and found to be in working condition, assemble the divider valve, positioning the valve blocks on the base in their original order. Test the operation of the assembly with a manual oil pump. If it now functions properly, replace the divider assembly in the system and test for proper system operation.

### **2-3.3. Cylinder Oil Recommendations**

Four classifications of lubricating oil have been developed to cover the normal lubrication requirements of compressor cylinders. The physical and chemical properties of the four oil types generally recommended for these units are listed in Table 2-4. (This table is general in nature and covers conditions and pressures not necessarily applicable to HOS compressors.)

Selection of the proper type of oil for your particular application normally will be determined by the discharge temperature and also by the gas quality with respect to "wetness". Consideration also must be given to the local operating conditions. Review this set of oil selection instructions with your oil supplier and compare your particular operating conditions with those listed in Table 2-4 for the various type cylinder oils.

In addition to the operating conditions given in Table 2-4, the following information also must be considered when selecting the type of oil to be used in a particular application.

For Type 2 and 3 oils, the gases handled must be dry; that is, gases which do not carry suspended liquid, contain water vapor or other condensables which remain in the super-heated vapor state throughout the compression cycle. For Type 2X and 3X oils, the gases handled occasionally may carry small quantities of suspended liquid into the cylinder or may deposit some condensation in the cylinder. Type 2 oils are generally used when the operator wishes to use internal-combustion engine lubricating oil.

#### **A. General Requirements**

These oils are well-refined petroleum products of the general types listed. They should be prepared from selected stocks of either naphthionic or paraffinic type, processed to minimize deposit formation. Superior rust-preventative properties also are desired. The pour point must be consistent with the lowest ambient gas intake and cylinder temperatures to be encountered. The pour point always must be sufficiently lower than ambient temperature to permit the proper rate of oil feed by the lubricator. In handling low-temperature gases, select oil of suitably low pour point, on the basis of intake and cylinder temperatures, to maintain a fluid of lubricant in the cylinder.

Type 2 - Internal-combustion engine lubricating oil of the following classes:

- Straight mineral oil.
- Additive-treated, non-detergent oil.
- Detergent engine oil.

Type 2X- Compounded compressor cylinder oil with 5% compounding is recommended. This oil must be capable of providing an improved state of boundary lubrication and must resist the washing effect of the particular condensate involved.

Type 3- Rust and/or oxidation-inhibited oil or straight mineral oil is acceptable.

Type 3X- Compound compressor cylinder oil with 5 to 10% compounding is recommended.

**Table 2-4. Standard Cylinder Oil Recommendations**

Operating Conditions	Type 2	Type 2X	Type 3	Type 3X
Discharge Temp. (°F) (°C)	Max. 350° Max. 177°	Max. 350° Max. 177°	> 350° > 177°	> 350° > 177°
Condensed water vapor present	NO	POSSIBLE	NO	POSSIBLE
Suspended liquid present	NO	POSSIBLE	NO	POSSIBLE
Special Requirements: Cylinder with discharge pressure of 2000 to 7000 PSIG (13.8 to 48.27 Mpa)	NO	NO	REQUIRED	REQUIRED
Flash Point (°F) (Open Cup) (°C)	380° Min. 193° Min.	380° Min. 193° Min.	410° Min. 210° Min.	410° Min. 210° Min.
Viscosity @ 100°F (38°C) Saybolt Universal SSU Kinematic Viscosity cSt	--- ---	780 Max. 168.4 Max.	--- ---	--- ---
Viscosity @ 210°F (99°C) Saybolt Universal SSU Kinematic Viscosity cSt	60 Min. 10.2 Min.	72 Min. 13.3 Min.	105 Min. 21.5 Min.	105 Min. 21.5 Min.
Sulfated Ash	0.50 Max.	---	---	---
Neutralization Value (color); Total Acid Number Strong Acid Number	--- 0.00 Max	--- 0.00 Max	--- 0.00 Max	--- 0.00 Max
Carbon Residue (Conradson)	0.45 Max. <sup>1</sup>	0.45 Max. <sup>1</sup>	0.65 Max.	0.65 Max.

NOTES: <sup>1</sup> = Ash-free basis

This oil must be capable of providing an improved state of boundary lubrication and must resist the washing effect of the particular condensate involved.

**B. Service Considerations**

1. On multi-stage and circular type compressors, or other applications involving high cylinder discharge temperatures, it is necessary to use higher viscosity oil than is normal.
2. When a gas being compressed is saturated with water or hydrocarbons, it is mandatory that a 3X oil be used.
3. Certain lubricating oil additives will cloud the glycerin-water often used in lubricator sight feeds, necessitating frequent changes of the mixture.

4. On services that are compressing air, it is recommend that a synthetic type lubricant is used.

**▲ CAUTION**

**The continuous or intermittent carry-over of liquid to compressor cylinders requires the installation of efficient separators.**

**C. Inspection**

All tests of cylinder lubricants should be conducted in accordance with the Standard Methods (latest edition) of the American Society for Testing Materials (ASTM).

**D. Synthetic Lubricants**

In general, our experience with synthetic lubricants indicates that they will do a commendable lubrication job when the compressor is correctly prepared, the lubricant properly selected, and the lubricant is supplied in sufficient quantity.

Past experience has shown that it is difficult to properly break in new compressor cylinders, particularly larger sizes, on synthetic lubricants. Therefore, we recommend that cylinders first be broken in (at least 150 hours of running time or until the bore surfaces have taken on a glazed appearance) using a 3X oil. After the break-in period, switch to a grade of synthetic lubricant per the lubricant manufacturer's recommendation.

In those few cases where it is absolutely impossible to break in the compressor cylinders on a mineral oil due to system contamination, note that the danger of cylinder scuffing does exist. Extreme cleanliness of suction piping is absolutely mandatory if scuffing is to be avoided because the film thickness of a synthetic lubricant is generally less than with mineral oil. We further recommend that the particular grade of synthetic lubricant be on the higher side of the available viscosity range.

It is important that the quantity of synthetic lubricant fed to the cylinder be ample to wet the entire bore surface and that actual inspections be carried out within a few hours after switching to synthetic lubrication to determine that the feed rate is adequate. We recommend that the lubricator be adjusted to provide approximately double the flow of synthetic lubricant as opposed to mineral base oil during initial start-up and break-in.

Occasionally, units must be started and broken in during low ambient temperatures. Due to the extremely high viscosity index of most synthetic lubricants, take precautions to ensure that the lubricant is warm enough to flow properly.

It must be again pointed out that synthetic lubricants should not be used in the compressor unless the unit has been correctly prepared.

**2-3.4. Break-in and Operation**

Because of the wide range of compressor cylinder sizes and designs, as well as the varying operating conditions encountered at different compressor installations, it is not practical to specify a rigid break-in schedule for the compressor cylinders. On compressor units the break-in of compressor and cylinder end parts is done concurrently, with the load and speed gradually being increased during the break-in period.

## Lubrication

---

The compressor cylinders must be broken in gradually because it is necessary that mating parts establish a satisfactory running fit with each other. To do this, there must be a certain amount of wear between the mating parts. Also, during this break-in period, the cylinders may be exposed to dirt, welding beads and other foreign material. This is normally the most critical period in the service life of the cylinder and the demands on the cylinder lubricant are the most extreme at this time.

During the break-in runs, it is also necessary to feed the maximum amount of lubricant in order to help flush out wear particles and foreign material.

Prior to starting the unit for the first time, check to see how many compartments in the compressor cylinder lubricator are used to lubricate the cylinder bores and the piston rod packings. Fill these particular compartments with the break-in oil selected and adjust each of the pump units in these compartments for maximum oil feed. Disconnect all lubricator lines at the cylinders and packing glands; then, operate the lubricator pump(s) manually until oil appears at each broken connection. This may require the compressor to be rotated in order to manually pump each plunger. Reconnect the piping and operate the pump(s) several strokes to assure an initial supply of oil at each point of lubrication when the machine is started. Also, during the priming period check lubricator piping and connections for possible leaks; any leaks found should be corrected at this time.

### NOTE

If the compressor cylinders are being lubricated by a block-type oil distribution system, all piping and components in that system must be filled with oil and purged of air; this must be done manually, following the instructions found later in this chapter.

The following time schedule is generally applicable for lubricating the compressor cylinders during the break-in period, when the cylinders will ultimately be lubricated with a petroleum based product:

For the first full week of operation the lubricator pumping units should be adjusted for maximum feed rate. As the cylinder wears in, occasional inspections should be made to the cylinder bore to see if it is taking on a glazed appearance. Should any trouble develop (usually in the form of increased temperatures) as the oil is being diluted, increase the pumping rate until a glaze is formed on the cylinder walls.

It is usually desirable to reduce to a minimum the quantity of oil from the lubricator to the compressor cylinders and rod packing from the standpoint of oil economy, coupled with the need to avoid excessive oil in the discharge and carbon build up in the packing. Because of the widely differing conditions under which these units operate (the variety of cylinder sizes, pressures, temperatures, and types of gas handled) it is impossible to establish any ironclad rule for the quantity of oil required for cylinder and piston rod lubrication. The ideal condition is to feed the minimum quantity that will adequately lubricate the surfaces. This minimum quantity can be established only after several weeks of operation and experience.

We offer as guidelines the following:

- Under normal operating conditions, the amount of cylinder oil required for the various cylinder sizes and pressures are displayed in Table 2-2. These feed rates are approximate and are based on an empirical formula that varies to suit the particular conditions of service of the compressor cylinders and the gas compressed. The figures given are the suggested normal feed rates when clean and dry conditions prevail in the compressor cylinder. Wet and dirty air or compressed gas may require increased feeds as conditions dictate.

- The feed rates given are the totals for the cylinder bore and packing, and are based on an average sized drop (with 14,000 drops equaling one pint of oil at 75°F). Any variation in drop size will require recalculation. To determine the feed rate for each individual feed, divide the drops given in the table by the number of lubricator lines (feeds) to the cylinder. Adjusting the oil feed rate at the lubricator will increase or decrease the flow rate the same amount to each lubrication point. Check all lubrication points to determine the optimum amount. Again, the figures given are only an approximation. For a more detailed lubrication rate requirement refer to the packager guidelines and/or compressor lubrication schematic. Good judgement is required whenever the particular conditions of service are out of the ordinary.

### NOTE

The figures given in Table 2-2 are for gravity and vacuum type sight feed lubrication. Feeds to cylinder bores never should be less than two drops per feed per minute, under any circumstances.

Oil feed rates to the piston rod packing also will depend upon the condition of the air or gas compressed. Under normal clean and dry conditions, four to five drops of oil per feed per minute should be satisfactory. During the first few weeks, it is better to feed too much oil than too little. After the packing rings have seated themselves on the rod, the lubrication to the packing should be just enough to maintain a very light film of oil on the rod.

The compressor cylinder bores, valves, and gas passages should be carefully examined each time before and shortly after any reduction is made in cylinder lubrication, and the reduction must be made in small steps. The correct oil feed is that which will just maintain a light film on the cylinder walls. A puddle of oil in the counterbore at the end of the cylinder or in the discharge passage can be evidence of over-lubrication or unsuitable oil. The appearance of any dry spots on the cylinder walls is definite evidence of inadequate lubrication or an improper combination of temperature, gas characteristics and oil.

### 2-3.5. Extended Shutdown

When the compressor is shut down for more than a few days, it is recommended that precautions be taken to keep the cylinders in good condition during the shutdown period. An extra quantity of oil should be pumped to the cylinder bore and piston rod packing, by manually operating the mechanical lubricator pumping units, just prior to shutting down the compressor when an extended shutdown is planned. Periodically thereafter, oil should be manually pumped to the cylinders while barring the unit one and quarter revolutions.

### 2-3.6. SYSTEM MALFUNCTIONS AND THEIR CAUSES

1. Pump does not discharge lubricant:
  - Empty reservoir
  - Air entrainment

## Lubrication

---

2. Pump repeatedly ruptures disc:
  - Clogged filter
  - Blocked main line, divider valve or injection point
  - Disc pressure rating incorrect for the system
  
3. Divider valve does not cycle:
  - Contaminated or stuck piston
  - High pressure downstream; broken tube line serving this valve
  
4. Divider valve leaks:
  - Valve block screws loose
  - O-ring not installed
  - O-ring damaged
  
5. Divider valve repeatedly ruptures disc:
  - Blocked line downstream
  - Blocked injection point
  - Improperly drilled tube fitting
  - Rupture disc pressure rating incorrect for system



6. Flow meter does not register counts:
- Loss of lube supply
  - Broken line
  - Inoperative divider valve in flow meter
  - Damaged linkage
  - Loss of air supply
  - Inoperative air valve
  - Inoperative air cylinder or counter
7. No-flow valve fails to properly shut down:
- Incorrect adjustment
  - Valve improperly installed
  - Stuck or contaminated piston

**DRESSER-RAND****OPERATION & TROUBLESHOOTING****HOS  
Chapter 3**

<b>Paragraph</b>		<b>Page</b>
3-1.	GENERAL .....	3-2
3-2.	PREPARATION FOR INITIAL START .....	3-2
3-2.1.	Alignment Check .....	3-2
3-2.2.	Lubrication Systems .....	3-4
3-2.3.	Compressor Cylinders.....	3-4
3-2.4.	General Inspections and Adjustments.....	3-5
3-2.5.	Compressor Cooling System.....	3-5
3-3.	CAPACITY CONTROL .....	3-5
3-3.1.	Cylinder Clearance Volume .....	3-6
3-3.2.	Cylinder Unloading.....	3-6
3-3.3.	Suction Pressure Control .....	3-6
3-3.4.	Capacity Control Bypass .....	3-6
3-4.	COMPRESSOR LOADING AND UNLOADING .....	3-6
3-4.1.	Loading/Unloading Procedure – Bypass and Discharge Valve Method .....	3-9
3-4.2.	Loading/Unloading Procedure – Vent Valve Method .....	3-9
3-5.	INITIAL START-UP .....	3-9
3-7.	BREAK-IN AND OPERATION .....	3-11
3-7.	SUGGESTED ROUTINE STARTING PRACTICES .....	3-11
3-8.	ROUTINE STOPPING .....	3-13
3-9.	EMERGENCY OR NON-SCHEDULED SHUTDOWN .....	3-13
3-10.	SHUTDOWN FOR AN EXTENDED PERIOD .....	3-13
3-11.	ROUTINE OPERATION AND MAINTENANCE .....	3-14
3-11.1.	Daily .....	3-14
3-11.2.	Weekly .....	3-15
3-11.3.	Monthly.....	3-15
3-11.4.	Every Three Months.....	3-16
3-11.5.	Every Six Months.....	3-16
3-11.6.	Annually.....	3-17
3-12.	TROUBLESHOOTING BY SYMPTON .....	3-18

### 3-1. GENERAL

The operator should carefully read this section before the unit is prepared for its initial start. The purpose of this section is threefold; first, to familiarize the operator with the requirements of the unit; second, to outline the recommended procedures for starting, loading and stopping the unit; and third, to assist the operator in setting up an efficient inspection and maintenance schedule. Optimum performance can be obtained by closely adhering to the instructions in this section.

After the operators have started the machine a number of times, and have received experience in caring for it, starting will become a routine procedure. However, there are a number of special precautions that must be taken when starting a compressor for the first time. Carelessness or lack of knowledge can result in serious damage to the equipment and to personal injury. If possible, an experienced erection engineer should supervise the initial start of the unit; even then, the regular operators should be well acquainted with the details of the machine, the precautions to be taken when starting, and the reasons for them.

When the unit is checked out prior to initial start-up, it is an excellent idea to log important clearances and runout figures. This will establish benchmark readings for these clearances, which will allow calculation of wear rates and establish a meaningful maintenance schedule. It is equally important to log these same clearances after any major overhaul.

### 3-2. PREPARATION FOR INITIAL START

#### NOTE

On a new compressor no internal inspections are required. (If the machine has set for over 6 months refer to Section 3.2.3)

#### CAUTION

**Refer to the instructions supplied by the manufacturer of the compressor driver when preparing the unit for start-up; carefully follow the manufacturer's recommendations. This also applies when placing into operation accessory equipment items such as coolers, filters, pumps, and similar equipment.**

Thoroughly inspect the entire machine to be certain there are no loose parts or tools where they can cause damage or interfere with start-up.

#### 3-2.1. Alignment Check

#### CAUTION

**It is extremely important that the driver-to-compressor alignment be checked before start-up.**

### NOTE

The following procedure is designed for a standard flex type coupling alignment.

A check of the drive alignment is required before starting the unit. The purpose of this drive alignment check is to verify that, during positioning of the skid, the alignment of the driver crankshaft to the compressor crankshaft has not shifted. The following procedure applies to the coupling drive arrangement normally supplied:

1. Make a suitable fixture to mount two dial indicators at the coupling hub.
2. After the fixture is securely fastened to the coupling hub, mount a dial indicator to read on the outer rim of the compressor coupling hub and another indicator to read on the face of the hub.
3. Rotate the driver through one complete revolution and bring both indicators to the top vertical position with the respect to the driver flywheel; then, using a marking pencil or chalk, place reference marks on the flywheel and flywheel housing. These will be the zero reference marks.
4. Mark the flywheel housing at the 90°, 180° and 270° positions. These marks will be used as reference points to take the dial indicator readings.
5. Using a bar, shift both crankshafts against their stops in the same direction.
6. Zero the dial indicators, with the driver flywheel at the top vertical reference marks, then rotate the driver to the 90° mark and take an indicator reading; repeat at the 180° and 270° marks and then return to the starting point. Recheck the zero settings at the starting point. Be sure the driver and compressor crankshafts are first shifted per Step 5 before recording the indicator reading at each reference point.
7. Compare the dial indicator readings to determine the main point of misalignment. If readings taken at the 180° reference point indicate that the driver is high or low at the drive coupling end, this will, in most cases, indicate that the driver end of the skid is not properly leveled with respect to the compressor end. Correct this misalignment by raising or lowering the driver by readjusting the shimming at the driver mounting points.
8. When it has been determined that all possible misalignment has been corrected by raising or lowering the driver, take a final set of indicator readings at each of the reference points. The coupling misalignment should be as close to zero as possible and must not exceed 0.005 inch (0.13 mm) Total Indicator Reading when the equipment is up to operating temperature. Therefore a tolerance for thermal growth should be considered when performing this cold alignment procedure. (See CHAPTER 5 for specifications). If further alignment adjustments are necessary, do this by adding or removing shims from the driver mounting points and by moving the driver sideways, if required, using jack screws against the sides of the driver base.

### NOTE

In most cases, Dresser-Rand specifies coupling misalignment limits that are much tighter than those allowed by the coupling manufacturers. Always adhere to the Dresser-Rand limits.

### 3-2.2. Lubrication Systems

1. Refer to CHAPTER 2, LUBRICATION for a detailed description of the compressor frame and running gear lubrication system, and the compressor cylinder lubrication system. Recommendations for selecting the proper oils for frame and cylinder lubrication will also be found in CHAPTER 2. *The operator should be thoroughly familiar with the lubrication requirements of the compressor before starting the machine.*
2. The following procedure should be used to check the entire frame lubricating system prior to starting the compressor for the first time:
  - A. The rust preventative coating applied to the lube system at the factory is soluble with the recommended lubricating oils and need not be removed.

### CAUTION

**All precautionary measures specified by the Occupational Safety and Health Act of 1970 (OSHA) must be complied with when storing, handling, or using solvents.**

- B. Check all oil piping for tight connections.
- C. Fill the frame oil sump to the level indicator on the oil level gauge. Refer to CHAPTER 2, LUBRICATION for the grade and quantity.
- D. We recommend the operator use a manual or motor-driven priming pump to circulate the oil and fill the lubricating system (Vent air from oil filter while circulating). The bearings may suffer from a "dry" start. Add oil to the frame sump as required. Do not fill above the level mark on the level gauge because the rotating compressor parts may strike the oil surface, causing foaming and loss of oil pressure.
- E. Continue to operate the priming pump until pressure indication is seen at the gauge. Check external oil piping during this period for tight connections.

### 3-2.3. Compressor Cylinders

#### NOTE

The compressor is normally shipped from the factory with externally fed lube pumps with oil supplied from the frame oil system. Should special oil lubricant be required please consult with the factory.

1. Fill the lubricator box with high-grade lubricating oil. The same oil selected for the frame can be used in the lubricator box. This oil is for lubrication of the camshaft, pump rocker arms and the gears inside the lubricator box.
2. Disconnect all lubrication lines and prime until all air is forced out of the lines and oil appears. Reconnect the lines and cycle the lubricator pumps a short time so the cylinders will be lubricated as soon as the compressor is started. The lubricator feed(s) should be initially set for maximum flow. Once the compressor is started, the oil lines will remain full of oil. After a few days of operation, as the cylinders wear in and the bores become glazed, the oil feed rate can gradually be reduced. This is described in more detail in the break-in instructions, which are found in CHAPTER 2, LUBRICATION.

*If the machine has set for over 6 months proceed with the following:*

3. Remove the outer head and inboard suction valve assembly from each compressor cylinder and inspect the cylinder bores.
4. Reassemble the cylinders using adequate lubricating oil.

### NOTE

For cylinders operating in non-lube service re-assemble cylinders dry.

### 3-2.4. General Inspections and Adjustments

1. Check, and tighten as required, all bolts and nuts to be sure that all is ready to start. Refer to CHAPTER 5, GENERAL DATA & SPECIFICATIONS for specific tightening recommendations.
2. The piston rod runout has been checked and piston end clearances have been set at the factory. However, if an outboard cylinder support has been installed in the field then the rod runout must be checked prior to starting the unit. Refer to CHAPTER 4, MAINTENANCE for detailed procedures for checking the piston rod runout and piston end clearances. The final settings should be recorded for future reference.
3. Prepare the compressor driver and any accessory equipment for initial starting and operation per the manufacturer's recommendations.

### 3-2.5. Compressor Cooling System

1. Run coolant through the shell and tube type compressor oil cooler to be sure the cooling system is operative and that all connections are tight. Vent the water side of the cooler and all high points in the piping to remove trapped air.

## 3-3. CAPACITY CONTROL

Capacity control, as used in this context is any means of varying the capacity of the unit to meet the conditions under which the unit is applied. For most engine driven compressors, the simplest method of capacity control is varying the speed of the driver. Another, more long term adjustment, involves changing cylinder sizes. This section covers four of the more common methods used to vary capacity for shorter durations. The first is by adding clearance volume to the cylinder to reduce volumetric efficiency of the cylinder. The second is by cylinder unloading. The third is by varying the suction pressure through use of a suction pressure control valve. A fourth method is through use of a bypass system. Each will be discussed more fully in the following sections.

### 3-3.1. Cylinder Clearance Volume

The standard compressor cylinder provides for the addition of clearance volume to both the outboard end and frame end of the cylinder. The outer end inlet valve travel is adjustable, thus acting as a variable volume clearance pocket. The outer end is adjustable while the compressor is running. The frame end inlet valve location can be positioned to add fixed clearance to the frame end with the addition of center bolt spacers. The frame end clearance can only be added during a shutdown period. When clearance volume is added, cylinder performance should be checked for adequate rod reversal and volumetric efficiencies. This method of capacity control reduces the horsepower requirements proportionally to the reduction of flow.

### 3-3.2. Cylinder Unloading

1. Unloading of a cylinder end is done by retracting the suction valve from the unloaded end. This has the effect of reducing the capacity of the machine by the amount of flow the unloaded end is capable of generating. This method of capacity control reduces the horsepower requirements by approximately 50 percent.
2. Unbalanced forces occur when unloading one end of one cylinder; therefore, this type of unloading should not be done unless specifically approved by Dresser-Rand. Approval of loading is also required when using a balancing crosshead or balancing cylinders. A further limitation to single end unloading, on one or both cylinder ends, is imposed when non-reversing loads are imparted to the crosshead pin. If there are numerous loading conditions, combined with speed changes, refer the matter to Dresser-Rand for a complete analysis of the running gear and rod loadings.

### 3-3.3. Suction Pressure Control

1. Controlling the suction pressure to the compressor can also be used to control capacity. This is most often used when horsepower is limited and the flow rate is higher than the unit can handle. A suction control valve is used to hold the suction pressure to a preset limit, thereby limiting flow. Performance must be run at the desired set point to ensure that temperature and rod load limits of the compressor are not exceeded. This method of capacity control offers the advantage of a stable operating condition for the unit.

### 3-3.4. Capacity Control Bypass

1. A unit bypass system may be used to control capacity, particularly when the unit is oversized, or when the suction pressure is not stable and has a tendency to fall below a desirable limit. This method utilizes a pressure control valve in the bypass system around the unit, set to operate at the minimum operating point for the compressor. When this method is used, it is important that the bypass gas stream be taken downstream of a process aftercooler. This will avoid an uncontrolled temperature rise during continuous operation. Figure 3-1 illustrates.

## 3-4. COMPRESSOR LOADING AND UNLOADING

It is important that the compressor be unloaded prior to and during startup. There are two basic methods to loading and unloading a HOS compressor. Which of the two is best suited for a particular installation depends on site conditions. The following should be considered prior to designing the piping system:

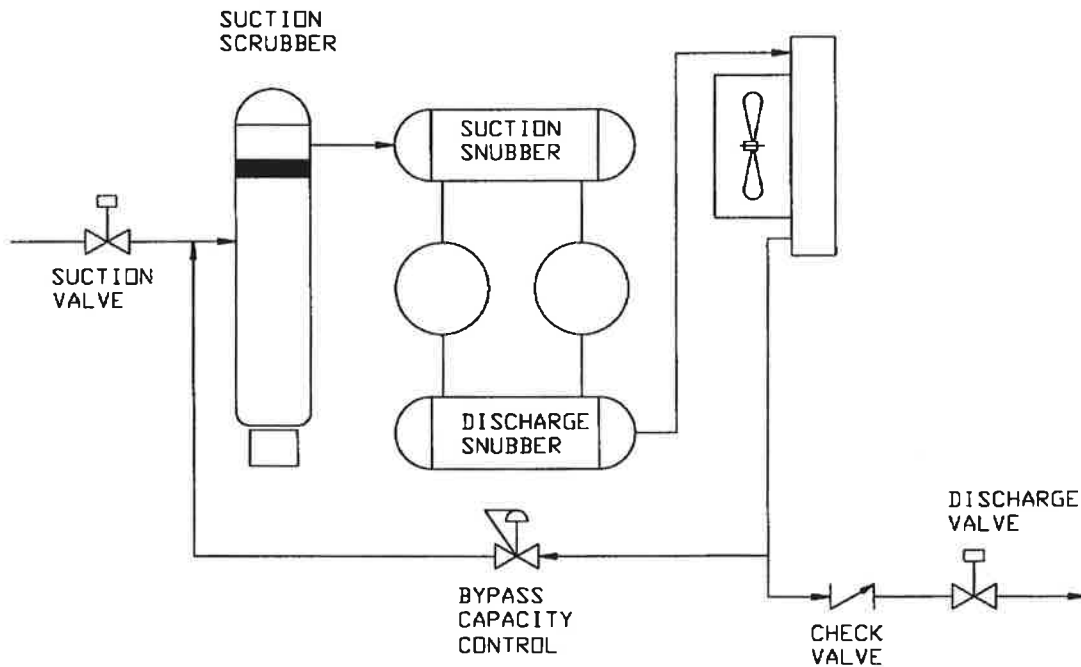


Figure 3-1. Bypass Capacity Control

The two methods are as follows:

- Bypass and discharge check valve method
- Vent valve method

Probably the simplest, most reliable and safest method is by use of a bypass and discharge check valve. This is illustrated in Figure 3-2. With this set-up, there is little danger of exceeding rated rod load and the rate of loading can be controlled by the rate of closing the bypass valve. On multiple-stage units, this set-up works well for sequence loading because each block valve is opened or closed separately. It should be noted that with this method, when the compressor cylinders and piping are pressurized to suction gas pressure the load on the unit will be dependent on the sizing of the bypass valve and associated piping. Also, the sizing of the bypass valve and piping will be the limiting factor on the period of time the unit can be bypassed without excessive gas heating.

The other method of loading and unloading is the vent valve method. This is illustrated in Figure 3-3. This method results in the venting of excess gas during loading which may not be acceptable in certain situations at particular sites. Also, during idling periods the compressor will pull partial vacuum on the suction piping downstream of the suction valve and it is extremely important that the unit is purged prior to loading. Additionally, the suction valve must be fully open prior to closing the vent valve to prevent the possibility of generating excessive rod loads.



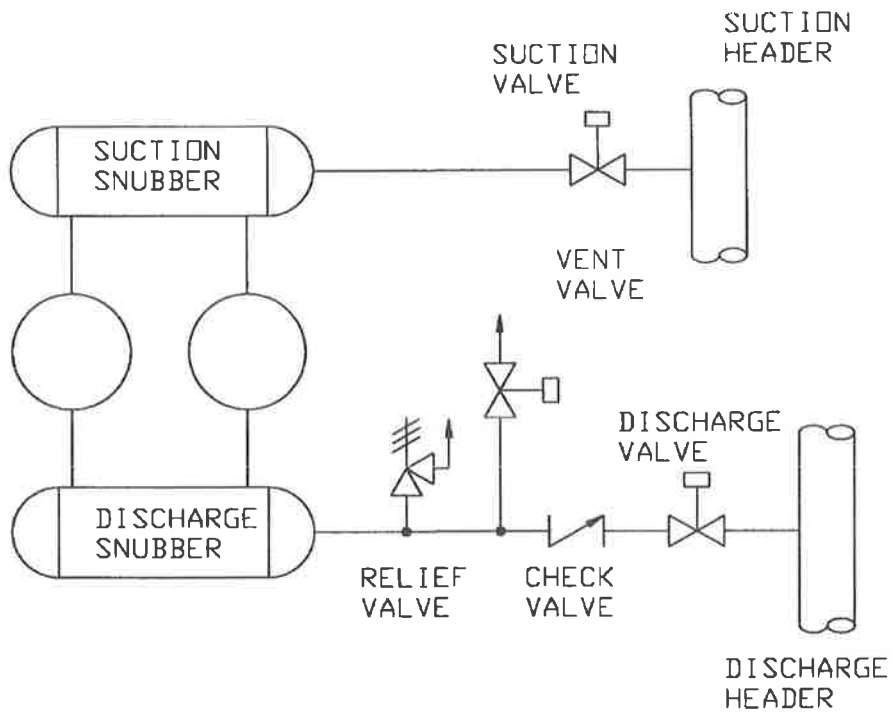


Figure 3-2. Bypass and Discharge Check Valve Method

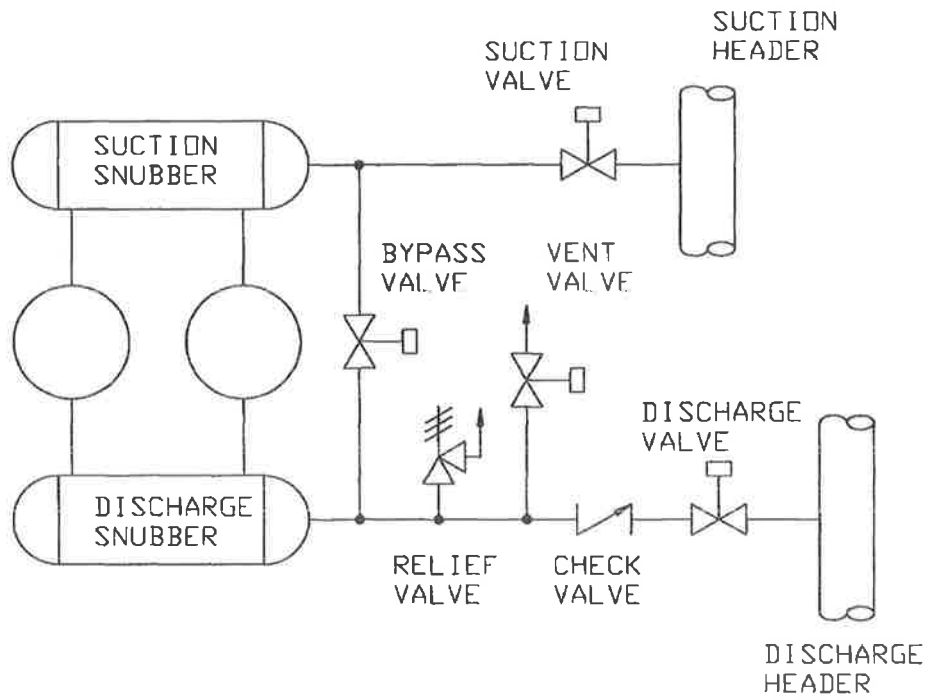


Figure 3-3. Vent Valve Method

### **3-4.1. Loading/Unloading Procedure - Bypass and Discharge Check Valve Method**

1. Prior to starting the unit, ensure the suction and discharge valves are closed. Then, open the bypass valve and the vent valve to de-pressurize the compressor cylinders and piping to atmosphere.
2. Start the driver and allow it to idle and warm up; after ten minutes of warm-up bring it up to fast idle.
3. Open the discharge valve, which will allow discharge pressure to back up against the discharge check valve.
4. Partially open the suction valve to purge the compressor cylinders and piping.
5. Pressurize the compressor cylinders and piping by closing the vent valve and opening the suction valve.
6. Load the unit by closing the bypass valve.
7. Reverse the preceding steps to UNLOAD.

### **3-4.2. Loading/Unloading Procedure - Vent Valve Method**

1. Prior to starting the unit, ensure the suction and discharge valves are closed. Then, open the vent valve to pressurize the compressor cylinders and piping to atmospheric pressure.
2. Start the driver and allow it to idle and warm up; after ten minutes of warm-up, bring it up to fast idle.
3. Open the discharge valve, which will allow discharge pressure to back up against the discharge check valve.
4. Partially open the suction valve to purge the compressor cylinders and piping.
5. Load the unit by opening the suction valve fully, then by closing the vent valve.
6. Reverse the preceding steps to UNLOAD.

### **3-5. INITIAL START-UP**

1. When starting the compressor for the first time, it is extremely important that the operators are alert for unusual or abnormal pressures, temperatures, noises and other conditions. Indicating gauges and thermometers should be closely monitored during this initial starting period.
2. Read the following break-in instructions before starting the compressor. The procedure, which follows, applies generally to the initial start of the unit; some modifications to this procedure may be required when starting a particular machine.
  - A. As far as is practical, check the inlet and discharge lines for foreign objects. Check all line valves for proper location, flow direction, and position.

- B. Operate the priming oil pump to pre-lubricate the compressor bearings and to build up a slight pressure in the frame and running gear lubrication system.

### CAUTION

**On electric motor driven machines a prelube pump is required. See CHAPTER 5, GENERAL DATA & SPECIFICATIONS for recommended minimum prelube capacities.**

- C. Manually operate each lubricator pumping unit, by pushing down the plunger cap, to ensure that oil is being fed into the cylinder bores and piston rod packing. This can be confirmed by motion of the cycle indicator pin in the distribution blocks. This may require the compressor to be rotated in order to manually pump each plunger.
- D. Walk around the machine to double check that all equipment is ready for start-up and that all personnel in the area are aware that the unit will be started.

### WARNING

**The operator must ensure that the driver will not start, by grounding the ignition and closing the fuel gas valve on engine driven units or by ensuring that the power cannot be turned on with electric motor driven units, before barring the unit over.**

- E. Release the driver flywheel lock, if fitted. Bar the compressor over a few times to be sure all moving parts are clear and also to ensure that lubricating oil is distributed to all running surfaces. Disengage the barring device prior to start-up.
- F. Turn on the cooling water to the frame oil cooler.
- G. Start the driver according to the manufacturer's instructions.

### CAUTION

**The machine must be immediately shut down if an abnormal condition exists, and the cause found and corrected before restarting the unit.**

- H. After the compressor is started, observe the frame oil pressure and check the cooling water temperature. Watch for signs of excessive heating, unusual noises or other abnormal conditions.
- I. If everything appears normal, operate the machine continuously for 30 minutes at no load. On engine driven units, the engine speed can be varied from idle to mid-range speed during this period.

### CAUTION

**Never operate any compressor at maximum speed with no load. The piston rod load may be exceeded at this condition.**

- J. At the end of the 30 minute period, if no problems are identified the compressor is ready to purge and load for the operation and service that the unit is intended for. When placing the unit in service, pay particular attention to the break-in considerations that are given in the following instructions.

### NOTE

Verification of proper cylinder bore lubrication is not final until the bore has been checked after the unit has been shut down under load. Lubrication rates vary depending on load conditions.

### 3-6. BREAK-IN AND OPERATION

1. The normal procedure for "breaking in" a new compressor involves several short runs at gradually increasing speed and load. The type of driver and the particular operating conditions will dictate the break-in requirements and procedures.

### CAUTION

**Compressor cylinders should be set up according to performance data sheets before loading.**

2. Sometime during the break-in period, while the unit is not in operation, tighten the cylinder mounting flange nuts, packing gland nuts and all other exposed nuts and bolts. When first subjected to full load and temperature conditions, gasket material will crush; if joints are not tightened up at this time, oil, water, or gas leaks may start later or stud breakage may occur. Check all foundation bolts to ensure they are tight. Tightening requirements are given in CHAPTER 5, GENERAL DATA & SPECIFICATIONS.
3. Because of the wide range of operating conditions, it is not practical to give specific break-in recommendations for the cylinders. The instructions in CHAPTER 4, MAINTENANCE are general and should be modified as required to suit a particular situation.

### 3-7. SUGGESTED ROUTINE STARTING PRACTICES

The routine starting procedure, which follows, is for a typical compressor equipped for manual starting. Some modifications to this procedure may be required to suit a particular compressor and drive arrangement; however, it is important that a standard starting sequence be established and followed consistently by the operators.

1. Check the oil level in the frame sump and add oil as required to bring the level to the mark on the oil level gauge.
2. Operate the priming oil pump to pre-lubricate the compressor bearings and to build up a slight pressure in the frame and running gear lubrication system.

### CAUTION

**On electric motor driven machines a prelube pump is required. See CHAPTER 5, GENERAL DATA & SPECIFICATIONS for recommended minimum prelube capacities.**

## Operation and Troubleshooting

---

3. Manually operate each lubricator pumping unit, by pushing down the plunger cap, to ensure that oil is being fed into the cylinder bores and piston rod packing. This can be confirmed by motion of the cycle indicator pin in the distribution blocks. This may require the compressor to be rotated in order to manually pump each plunger.

### NOTE

If the compressor has been opened to the atmosphere, it should be purged with process gas before being put on line to ensure that no oxygen is present in the cylinders or piping.

4. Unload the compressor. The method of starting-unloading must be established for each compressor, but is generally accomplished by use of a manual bypass system. Blow down the unit prior to starting.

### CAUTION

**Never operate any compressor at maximum speed with no load. The piston rod load may be exceeded at this condition.**

5. Check to ensure all equipment is ready for start-up and that all personnel in the area are aware that the unit will be started.
6. Bar the unit over once to be sure all moving parts are clear. This is especially important when the unit has just been serviced.
7. Turn on the cooling water and check to be sure the cooling system is operative.
8. Prepare the driver for start-up according to the manufacturer's instructions.
9. Start the driver and run the compressor at no load for ten minutes or until the frame oil warms to 90°F (32°C). Refer also to the driver instructions for warm-up requirements. (When starting an engine driven compressor, the unit is normally warmed up at 800 to 900 RPM and the load then applied before bringing the machine up to operating speed.)

### CAUTION

**Do not operate the compressor at a speed less than 500 RPM.**

10. When the unit is warmed up and determined to be operating satisfactorily, without any unusual noises, the compressors can be loaded. Build up the discharge pressure gradually, by slowly closing the manual bypass valve. Note the gas temperatures while loading (abnormal temperatures are often the first indications of trouble).
11. Adjust cooling water flow if required.
12. When temperatures and pressures have stabilized, record for future reference as operation and maintenance guidelines.

### 3-8. ROUTINE STOPPING

1. When the compressor drive is an engine, it should be slowed to idle speed.

#### CAUTION

**Do not operate the compressor at a speed less than 500 RPM.**

2. Unload the compressor by slowly opening the bypass valve. A standard unloading procedure should be set up for each compressor application as they may not all be manual.

#### NOTE

During normal operations cylinder o-rings may become saturated with gas, especially at pressures above 1000 PSIG. When a compressor is blown down too rapidly the o-rings may blister due to the rapid escape of the gas from the o-rings. This is known as explosive decompression. To avoid this a compressor should be blown down at a moderate rate allowing the gas to escape the o-rings without blistering. If this situation should arise consult your nearest Dresser-Rand Distributor.

3. Allow the compressor to operate at idle speed at no load for several minutes to cool.
4. Stop the driver according to the manufacturer's instructions.
5. Prepare the compressor so that it can be restarted on short notice.

### 3-9. EMERGENCY OR NON-SCHEDULED SHUTDOWN

1. If any emergency occurs requiring immediate shutdown of the compressor, the compressor can be shut down under load.
2. In the event of an automatic safety shutdown, the operator should immediately check to find the cause of the shutdown. If the problem is not readily apparent, the operator should relieve the system of pressure before making a more thorough examination.
3. If it appears that the compressor will not be operating again within ten minutes, turn off the water flow to the cooler and cylinders.

### 3-10. SHUTDOWN FOR AN EXTENDED PERIOD

#### WARNING

**The operator must ensure that the driver will not start, by grounding the ignition and closing the fuel gas valve on engine driven units or by ensuring that power cannot be turned on with electric motor driven units, before barring the unit over.**

## Operation and Troubleshooting

---

1. If the compressor is to be shut down for less than a month, the manual frame oil priming pump and the cylinder lubricator pumps should be operated every 30 days and the unit barred one and a quarter revolution.
2. If the compressor is to be shutdown more than a month, the compressor frame and cylinders should be preserved.
3. Refer to the manufacturer's recommendations for the driver and other accessory equipment when planning an extended shutdown of these items.

### 3-11. ROUTINE OPERATION AND MAINTENANCE

The HOS compressor is designed and built for long periods of continuous full-load operation and should be equipped with automatic safety switches to shut it down in case of low frame oil pressure, vibration, or lack of cylinder lubrication. It can be equipped with additional safety devices to obtain practically any degree of protection desired.

When the unit is first placed in operation, and the machine is operating at normal speed and load and with stable operating pressures and temperatures, all safety alarm and shutdown controls should be carefully checked for correct operation. Never disconnect the safety shutdown devices and allow the unit to run unprotected.

Every compressor requires a certain amount of supervision and care if it is to give continued satisfactory performance and long service life. A time schedule of duties for the operator must be subject to alteration by experience to fit the actual conditions. The following minimum schedule is suggested, based on continuous duty of 720 hours per month.

#### NOTE

The time schedule of routine inspections and maintenance for the compressor must be used in conjunction with the schedule and duties recommended by the driver manufacturer. This also applies to other accessory equipment.

#### 3-11.1. Daily

1. Check the oil level in the frame sump and add oil as required to maintain the level at the line on the oil level gauge. Check that the oil day tank (if so equipped) is filled.
2. Check the oil level in the lubricator drive box and add as necessary. If oil level has increased, check the pumps for leakage past the plungers. Make sure all pumping units are working and inspect distribution blocks for leakage, indicator pins "popped up", or other problems.
3. Keep an hourly log of all gas temperatures, water temperatures and gauge pressures. One of the principal means of keeping track of the physical condition of a compressor and its equipment is by these hourly readings. Watch carefully for any marked changes which indicate further attention is warranted. Use interstage pressures and temperatures to detect abnormal conditions. A decrease in the interstage pressure and temperature means that the lower pressure cylinder has reduced capacity. An increase in interstage pressure and temperature means that the next higher stage cylinder has reduced capacity. These effects can be attributed to leaking valves, worn piston rings or broken parts.

4. If separators are used in the compressor system, a schedule must be established whereby they are periodically drained to prevent a liquid carryover into the compressor cylinders, which can cause serious damage. If automatic drains are furnished, check them for proper operation and to be sure that no liquid has accumulated in the level gauge.

### NOTE

In every case, because of variable operating conditions, the operator should establish the frequency of draining off the various drains. This will be determined by the amount of liquid that collects at each point.

5. Listen for any unusual noises while the machine is operating. These should be investigated immediately.
6. Drain all low points in the discharge piping.
7. Keep the exterior of the compressor and the compressor room floor clean.

### 3-11.2. Weekly

1. After the first week, check all bolts and nuts to see that they are properly torqued. Check monthly thereafter or at each change in operating conditions. (the monthly check period can be extended as experience dictates.)
2. Inspect all loaded joints for motion across the joint during operation. Tighten as required.
3. After the first week, check the runout of the compressor piston rods. Make sure the piston rod is not scored. Check every three months thereafter.
4. Check scraper packing, piston rod packing and distance piece vents for excessive blowby and/or oil leakage.

### 3-11.3. Monthly (ALL WEEKLY checks plus:)

1. Take a sample of the frame oil for analysis. Compare the analysis to one made on a fresh sample straight from the drum. Change oil and filter per analysis or compressor manufacturers recommendations.
2. Lubricate clearance packing grease fittings (see CHAPTER 4, Paragraph 4-13.) and check for free motion by moving the pocket in and out with the unit not operating.
3. Check all safety shutdowns and operation of loading and unloading devices for proper operation.
4. Check crankshaft breather and clean or replace as needed.
5. Clean the lubricator reservoir and pumping units as necessary or according to the manufacturer's instructions.



### 3-11.4. Every Three Months (ALL WEEKLY and MONTHLY checks plus:)

1. Check the crosshead-to-guide clearance by feeler gauge. Check the runout of the compressor piston rods. Visually inspect frame internals.
2. The frame lubricating oil should be changed after 2000 to 4000 operating hours or as monthly analysis indicates. Always clean the filter housing and install new filter elements when the oil is changed.

#### NOTE

When the compressor is being operated in an extremely dirty atmosphere, or where it is installed outdoors, operated intermittently, handling foul gas in the cylinders, or operating with high oil temperatures in a very hot atmosphere, it may be necessary to change the oil more often. Most reputable oil companies offer laboratory analysis of oil samples, the use of this type service is recommended.

3. Check the compressor piston rings and piston rod for wear and the cylinder bore for scoring, and remove any accumulation of foreign material. Replace piston rings if they are worn to their limit. See Chapter 4 (Paragraph 4-14.) for checking the wear rate of, and renewing, TFE piston and rider rings.
4. Check the accuracy of compressor pressure gauges on a dead weight tester; recalibrate them as required.
5. Remove all inlet and discharge valves; clean and inspect the valves for excessive wear and broken parts. Lap seats and guards. Refer to the compressor cylinder instructions.
6. Clean the separator sight glasses (if so equipped).
7. Inspect Beta drive shaft seal (if so equipped) and replace if required.
8. Check anchor bolts for tightness. Tighten as required to the torque values given in CHAPTER 5, GENERAL DATA & SPECIFICATIONS.
9. Inspect drive coupling; tighten as required.

### 3-11.5. Every Six Months (ALL QUARTERLY checks plus:)

1. Check crankshaft end play.
2. Check piston end clearances.
3. Remove, clean, and inspect the piston rod pressure packing rings and oil scraper; renew the rings as required.

### **3-11.6. Annually (ALL SIX MONTH checks plus:)**

1. Check all running gear clearances and compare to benchmark readings. If a change is detected, disassemble and inspect those affected parts.
2. Clean and flush the oil cooler and any other heat exchanger supplied.
3. Remove the compressor pistons and inspect the rings. Record cylinder bore diameters. Inspections of this nature will indicate the replacement schedule for parts that are subject to wear.
4. Safety valves used in the compressor gas system should have their settings tested at least once a year, and more often under extreme conditions, by a hydraulic test.
5. Examine any separators, bottles, dampers and similar equipment that may be used in the compressor system for accumulation of dirt, rust and other foreign material. Remove the vessel from the system and clean it if necessary.
6. Visually inspect the packing cups; re-lap as required.
7. Remove and inspect main bearings and connecting rod bearings.

**3-12. TROUBLESHOOTING BY SYMPTOM**

**Table 3-1. Compressor Troubleshooting Chart**

TROUBLE	PROBABLE CAUSE(S)	REMEDIES
FRAME KNOCKS	<ol style="list-style-type: none"> <li>1. Loose, worn main, crankpin or crosshead bearings.</li> <li>2. Low oil pressure.</li> <li>3. Cold oil.</li> <li>4. Incorrect oil.</li> <li>5. Knock is actually from cylinder.</li> </ol>	<ol style="list-style-type: none"> <li>1. Check clearances and replace bearings accordingly.</li> <li>2. Increase oil pressure; repair leaks.</li> <li>3. Warm oil before loading unit; reduce coolant supply to oil cooler.</li> <li>4. Use proper oil per specifications.</li> <li>5. Tighten piston nut, etc. refer to "Noise in Cylinder"</li> </ol>
COMPRESSOR WILL NOT START	<ol style="list-style-type: none"> <li>1. Power supply failure. (Motor Drive Only)</li> <li>2. Switch gear or starting panel. (Motor Drive Only)</li> <li>3. Oil pressure permissive to start switch.</li> <li>4. Control panel.</li> <li>5. Cylinders pressurized.</li> <li>6. Running gear blocked.</li> <li>7. Barring device/lock engaged.</li> </ol>	<ol style="list-style-type: none"> <li>1. Restore power supply.</li> <li>2. Check circuitry, interlocks, relays. See vendor literature.</li> <li>3. Check oil pressure at header using aux. pump; adjust or replace switch.</li> <li>4. Check electrical connections and settings.</li> <li>5. Unload cylinders.</li> <li>6. Unblock to allow rotation.</li> <li>7. Disengage barring rig or lock.</li> </ol>
CRANKSHAFT OIL SEAL LEAKS	<ol style="list-style-type: none"> <li>1. Faulty seal installation.</li> <li>2. Clogged drain hole.</li> </ol>	<ol style="list-style-type: none"> <li>1. Reset seal per instruction book.</li> <li>2. Clear obstruction.</li> </ol>

Table 3-1. Compressor Troubleshooting Chart (Continued)

TROUBLE	PROBABLE CAUSE(S)	REMEDIES
OIL SCRAPER LEAKAGE	<ol style="list-style-type: none"> <li>1. Worn scraper rings.</li> <li>2. Scraper rings incorrectly assembled.</li> <li>3. Worn or scored piston rod.</li> <li>4. Ring side clearance excessive.</li> </ol>	<ol style="list-style-type: none"> <li>1. Replace rings.</li> <li>2. Assemble per Instruction Book.</li> <li>3. Replace piston rod.</li> <li>4. Replace rings.</li> </ol>
LOW OIL PRESSURE	<ol style="list-style-type: none"> <li>1. Oil pump cavitation.</li> <li>2. Oil foaming from rotating parts hitting oil surface.</li> <li>3. Cold oil.</li> <li>4. Dirty oil filter.</li> <li>5. Oil pressure valve (PCV) incorrectly set.</li> <li>6. Low relief valve setting.</li> <li>7. Defective gauge.</li> <li>8. Plugged sump suction strainer.</li> </ol>	<ol style="list-style-type: none"> <li>1. Replace worn oil pump. 1a. Oil Level too low in sump.</li> <li>2. Reduce oil level in sump.</li> <li>3. Utilize frame oil immersion heater or steam-trace piping.</li> <li>4. Replace elements; clean filter can.</li> <li>5. Set to specifications.</li> <li>6. Replace valve.</li> <li>7. Replace gauge.</li> <li>8. Clean suction strainer.</li> </ol>
NOISE IN CYLINDER	<ol style="list-style-type: none"> <li>1. Loose piston.</li> <li>2. Piston hitting outer head or frame head.</li> <li>3. Loose crosshead jam nut.</li> <li>4. Broken or leaking valve.</li> <li>5. Piston rings broken.</li> <li>6. Liquids</li> </ol>	<ol style="list-style-type: none"> <li>1. Tighten piston assembly to piston rod per instructions.</li> <li>2. Adjust end clearance to specifications.</li> <li>3. Tighten jam nut.</li> <li>4. Repair or replace valves.</li> <li>5. Replace piston rings.</li> <li>6. Remove liquids.</li> </ol>

**Table 3-1. Compressor Troubleshooting Chart (Continued)**

TROUBLE	PROBABLE CAUSE(S)	REMEDIES
PACKING OVERHEATING	<ol style="list-style-type: none"> <li>1. Lubrication failure.</li> <li>2. Improper lube oil or feed rate.</li> <li>3. Insufficient cooling.  (Especially with water-cooled packing.)</li> <li>4. Inadequate side clearance.</li> </ol>	<ol style="list-style-type: none"> <li>1. Replace lubrication check valve or lubricator pump.</li> <li>2. Use correct oil; increase feed rate.</li> <li>3. Clean coolant passages, install water filter, increase supply pressure or rate. Reduce coolant temperature at inlet.</li> <li>4. Replace packing rings.</li> </ol>
PACKING LEAKAGE AND/OR BLOWBY	<ol style="list-style-type: none"> <li>1. Worn packing rings.</li> <li>2. Improper lube oil or lube oil feed rate. (Blue Hot)</li> <li>3. Dirt in packing.</li> <li>4. Pressure increase too fast.</li> <li>5. Rings incorrectly assembled.</li> <li>6. Improper end or side clearance.</li> <li>7. Packing vent plugged.</li> <li>8. Scored piston rod.</li> <li>9. Excessive rod runout.</li> </ol>	<ol style="list-style-type: none"> <li>1. Replace packing rings.</li> <li>2. Use correct oil or increase feed rate.</li> <li>3. Clean packing, piping and ensure gas supply is clean.</li> <li>4. Reduce pressure and increase at lower rate.</li> <li>5. Reassemble per Instruction Book.</li> <li>6. Check and adjust clearances.</li> <li>7. Unblock and provide low-point drains.</li> <li>8. Replace piston rod.</li> <li>9. Check crosshead clearances and piston to bore clearances.</li> </ol>

Table 3-1. Compressor Troubleshooting Chart (Continued)

TROUBLE	PROBABLE CAUSE(S)	REMEDIES
EXCESSIVE CARBON ON VALVES	<ol style="list-style-type: none"> <li>1. Too much cylinder lube oil.</li> <li>2. Wrong cylinder lube oil, too light; high carbon residue.</li> <li>3. Oil carryover from inlet or previous stage.</li> <li>4. Broken or leaking valves; high temperature.</li> <li>5. Excessive pressure ratio across cylinder; high temperature.</li> </ol>	<ol style="list-style-type: none"> <li>1. Adjust supply rate.</li> <li>2. Use correct oil for application. See chart in Instruction Manual.</li> <li>3. Install separator/drain system.</li> <li>4. Replace or repair valves.</li> <li>5. Clean intercoolers; valves. Look for failed valve in cylinder, upstream or downstream.</li> </ol>
HIGH DISCHARGE TEMPERATURE	<ol style="list-style-type: none"> <li>1. Excessive ratio across cylinder. Rings leaking on next higher stage.</li> <li>2. Fouled intercooler or piping.</li> <li>3. Leaking discharge valves or piston rings.</li> <li>4. High inlet gas temperature.</li> <li>5. Fouled cylinder water jackets.</li> <li>6. Improper cylinder lube oil or lube feed rate.</li> </ol>	<ol style="list-style-type: none"> <li>1. Replace leaking inlet valves or piston rings.</li> <li>2. Clean intercooler or piping; reduce lube feed rate.</li> <li>3. Repair/replace parts as necessary.</li> <li>4. Clean intercooler.</li> <li>5. Clean water jackets.</li> <li>6. Use correct lube oil and correct the feed rate.</li> </ol>
RELIEF VALVE POPPING	<ol style="list-style-type: none"> <li>1. Faulty relief valve.</li> <li>2. Leaking inlet valves or piston rings on next higher stage.</li> <li>3. Obstruction, blind flange or valve closed in discharge line.</li> </ol>	<ol style="list-style-type: none"> <li>1. Test valve and reset per manufacturer's instructions.</li> <li>2. Repair/replace defective parts.</li> <li>3. Relieve obstruction; open valve.</li> </ol>

**Table 3-2. Valve Troubleshooting Chart**

TROUBLE	REASON OR ACTION TO BE TAKEN
VALVE FAILURE – INLET VALVES	<ol style="list-style-type: none"> <li>1. Make certain that correct parts are being used. In many cases, inlet springs are lighter than discharge springs.</li> <li>2. Investigate the possibility of liquid carryover.</li> <li>3. Consider the possibility of intake pulsations.</li> <li>4. Flutter – Incorrect spring selection.</li> </ol>
VALVE FAILURE – DISCHARGE VALVES	<ol style="list-style-type: none"> <li>1. Make certain that correct parts are being used. In many cases, discharge springs are stiffer than inlet springs.</li> <li>2. Check log of failures to see if failures occur only when a clearance pocket is open. If this is the case, report the situation to Dresser-Rand.</li> <li>3. Consider the possibility of discharge pulsations.</li> </ol>
VALVE FAILURE – BOTH INLET AND DISCHARGE	<ol style="list-style-type: none"> <li>1. Make certain correct parts are installed.</li> <li>2. Check to see if discharge failures are caused by broken pieces of other valves.</li> <li>3. Check for rust, scale or other foreign matter.</li> <li>4. Check for excessive wear of parts caused by grit or insufficient lubrication.</li> <li>5. Consider the possibility of pulsations.</li> <li>6. Stiction – Incorrect lube rate or varnish.</li> </ol>
FAILURE FOLLOWING RECONDITIONING	<ol style="list-style-type: none"> <li>1. Check reconditioning procedures to make sure valve lift was not changed.</li> <li>2. Verify correct parts were installed.</li> </ol>
SEASONAL FAILURES	<ol style="list-style-type: none"> <li>1. Winter failures caused by liquid slugs.               <ol style="list-style-type: none"> <li>A. Piping should be insulated.</li> <li>B. Piping should be steam traced.</li> <li>C. Separators should be installed.</li> </ol> </li> </ol>

**Table 3-2. Valve troubleshooting Chart (Continued)**

TROUBLE	REASON OR ACTION TO BE TAKEN
RAPID WEAR - INLET VALVES ONLY	<ol style="list-style-type: none"> <li>1. Insufficient lubrication rate or incorrect cylinder lube oil.</li> <li>2. Wet gas washing lubrication from valves.</li> <li>3. Cylinder water temperature lower than incoming gas temperature.</li> <li>4. Dirty process gas; install scrubbers.</li> </ol>
RAPID WEAR - DISCHARGE VALVES ONLY	<ol style="list-style-type: none"> <li>1. Insufficient lubrication rate or incorrect cylinder lube oil.</li> <li>2. Dirty process gas; install scrubbers.</li> <li>3. Flutter – Incorrect spring selection.</li> </ol>
BROKEN SPRINGS	<ol style="list-style-type: none"> <li>1. Investigate possibility of gas contaminants causing corrosion; send samples of broken parts to Dresser-Rand.</li> <li>2. Check for grit or other solid matter, which can lodge between coils of compression springs to cause failure.</li> <li>3. Stiction – Incorrect lube rate or varnish.</li> </ol>
BROKEN PLATES (BUT NOT SPRINGS)	<ol style="list-style-type: none"> <li>1. Check valve plates for wear resulting in sharp corners at O.D. or I.D.</li> </ol>



**HOS**  
**Chapter 4**

Paragraph	Page
4-1. GENERAL .....	4-3
4-2. SAFETY PRECAUTIONS .....	4-4
4-3. FRAME .....	4-4
4-4. CRANKSHAFT .....	4-7
4-5. CRANKSHAFT OIL SEAL .....	4-7
4-6. ACCESSORY EQUIPMENT .....	4-7
4-7. MAIN BEARINGS .....	4-7
4-7.1. Checking Bearing Clearance .....	4-8
4-7.2. Replacing a Main Bearing .....	4-8
4-7.3. Bearing Crush .....	4-10
4-7.4. Checking Crankshaft Thrust .....	4-10
4-8. CROSSHEAD / CONNECTING ROD ASSEMBLY .....	4-11
4-8.1. Crosshead .....	4-12
4-8.2. Connecting Rods .....	4-12
4-8.3. Connecting Rod Bearings .....	4-12
A. Stretch Micrometer Procedure .....	4-13
4-8.4. Replacing Connecting Rod Bearings .....	4-15
4-8.5. Crossheads and Pins .....	4-16
4-8.6. Removing Crosshead and Connecting Rod .....	4-16
4-8.7. Replacing Small End Bushing .....	4-18
4-8.8. Replacing Crosshead Pin and Bushing .....	4-20
4-8.9. Crosshead Shoe Replacement and Piston Rod Runout Adjustment .....	4-20
A. Crosshead Shoe Replacement .....	4-22
B. Piston Rod Runout Adjustment .....	4-22
4-9. COMPRESSOR CYLINDERS .....	4-23
4-9.1. Removing and Installing Compressor Cylinders .....	4-25
A. Removing Compressor Cylinder .....	4-26
B. Installing Compressor Cylinder .....	4-26
4-9.2. Disassembly and Assembly of Pistons & Piston Rods .....	4-27
A. Piston and Rod Disassembly .....	4-28
B. Piston and Rod Assembly .....	4-28
4-10. INSTALLING PISTON ROD AND ADJUSTING END CLEARANCE .....	4-32
4-11. INSPECTION / MAINTENANCE OF CYLINDER BORES .....	4-34
A. Honing .....	4-35
4-12. NON-METALLIC COMBINATION PISTON & RIDER RINGS .....	4-36
4-12.1. Handling Instructions .....	4-36
4-12.2. Establishing Ring Wear Rate .....	4-36
4-12.3. Replacing Rings .....	4-37
4-12.4. Installing Rings .....	4-38
4-12.5. Breaking-in Combination Rings .....	4-40
4-13. PISTON ROD PRESSURE PACKING .....	4-40
4-13.1. Packing Rings .....	4-40
4-13.2. Packing Gasket .....	4-43
4-13.3. Packing Cases .....	4-44
4-13.4. Installing the Packing .....	4-44
4-13.5. Packing Operation and Maintenance .....	4-46
4-13.6. Inspecting the Packing .....	4-46

<b>Paragraph</b>		<b>Page</b>
4-13.7.	Replacing the Packing .....	4-47
4-14.	PISTON ROD OIL SCRAPER RINGS .....	4-47
4-15.	BALANCE CYLINDER (If Used) .....	4-49
4-16.	COMPRESSOR VALVES .....	4-50
4-16.1.	Description of Operation .....	4-51
4-16.2.	Valve Maintenance Recommendations.....	4-52
4-16.3.	Removing the Valves – O-Ring Valve Cover.....	4-55
4-16.4.	Disassembling & Servicing the Valve .....	4-57
4-16.5.	Refacing Valve Seats .....	4-59
4-16.6.	Reconditioning the Stop Plate .....	4-60
4-16.7.	Assembling the Valve .....	4-61
4-16.8.	Installing the Valves – O-Ring Valve Cover .....	4-62
4-17.	REGULATION DEVICES .....	4-64
4-17.1.	Inlet Valve Unloaders .....	4-65
	A. Control and Vent Piping.....	4-67
	B. Unloader Cleanliness.....	4-67
	C. Removing Operator, Unloader and Valve Assembly.....	4-68
	D. Disassembling Cage and Plunger.....	4-69
	E. Installing Valve, Cage and Plunger .....	4-69
	F. Disassembling Unloader Cover and Operator.....	4-69
	G. Installing the Unloader.....	4-71
	H. Adjusting the Stroke.....	4-72
4-17.2.	Variable Volume Clearance Pockets.....	4-72
	A. Construction.....	4-72
	B. Maintenance.....	4-72
4-17.3.	Fixed Volume Clearance Pockets.....	4-74
	A. Control and Vent Piping.....	4-75
	B. Clearance Pocket Cleanliness.....	4-76
	C. Removing the Clearance Pocket Assembly .....	4-76
	D. Disassembling Actuating Piston Housing .....	4-77
	E. Disassembling Clearance Valve Sleeve .....	4-77
	F. Servicing the Gland Seal .....	4-77
	G. Assembling Actuating Piston Housing .....	4-79
	H. Assembling Clearance Valve Sleeve.....	4-79
	I. Installing Clearance Pocket Assembly .....	4-79

---

### 4-1. GENERAL

This portion of the Instruction Book describes the recommended procedures for disassembling, servicing or replacement, and reassembly of the compressor running gear and cylinders. Service notes have been placed in the text to assist the mechanic. Separate instructions are furnished to cover special or optional equipment.

Good working habits are essential to the performance of satisfactory maintenance work on the compressor. When disassembling a unit, use every available means to keep dirt away from the compressor internals. Cover exposed openings with cloth, kraft paper, cardboard or other suitable material to keep dirt from falling into the frame interior or into the compressor cylinders. Scratches, nicks and rough areas must be removed from machined surfaces. This can be done with fine emery cloth, a fine hone or a mill file. (Do not use emery cloth, or any other finishing method employing abrasives, when working on soft bearing surfaces; such material can become embedded in the bearing metal.)

Mark or tag parts as they are disassembled so that they can be replaced in their original positions. Replace all composition gaskets that are torn, dried or cracked with ones of similar material and thickness. Shims should be marked so that they will be reassembled in their original positions or so that replacement shims can be accurately sized.

Original parts should be thoroughly cleaned in a solvent compatible to the process and to the material of the parts to be cleaned. Inspect parts for wear and other visible defects before re-using them. Generally, unless otherwise stated, parts should be covered with a thin coating of clean lubricant before reassembling.

#### **▲WARNING**

**All precautionary measures specified by the Occupational Safety and Health Act of 1970 (OSHA) must be complied with when storing, handling, or using solvents.**

After removal Cotter pins, lockwashers, lock wires and other locking devices must be replaced to prevent the loosening of parts during operation. Always advance a nut in the tightening direction to align cotter pin openings once the required torque or bolt stretch is obtained. Lockwire must always be arranged so that it pulls on the bolt head in the tightening direction.

Running gear clearances and fits and tightening requirements are summarized at the back of this book in CHAPTER 5, GENERAL DATA & SPECIFICATIONS. The specified clearance limits and fits are those to which the parts are originally assembled. Unless otherwise stated, they are for parts that are at room temperature and are generally referred to as "cold" clearances. Some slight changes in clearance can be expected when parts are hot.

Generally, the clearances and fits listed should be checked during maintenance work involving those parts. It is recommended that running clearances be checked with the parts in their assembled positions, wherever possible, since bearing crush, interference fits and other factors can affect the clearance measurement.

Logging important clearances can be of considerable help in determining the wear of parts. It can also be of some benefit in estimating the time interval between scheduled overhauls.

## Maintenance

---

Varying operating conditions at different installations make it impractical to specify maximum acceptable clearances. Careful observation of the unit by the operator and good judgment by the mechanic are often the most effective means of determining when clearances have become excessive and adjustment of parts is required.

### 4-2. SAFETY PRECAUTIONS

Observe every safety precaution when working on the compressor frame, cylinders and drive arrangement, especially when making repairs or adjustments inside the frame or cylinders. The following minimum precautions should be taken before working on the compressor.

1. Be certain the main driver is locked out so that there is no possibility of the driver starting. In addition, a warning sign bearing the legend "WORK IN PROGRESS - DO NOT START" must be attached to the starting equipment.
2. Close suction and discharge line valves and bleed off any pressure that may be in the compressor cylinders.
3. Block or brace under a crankshaft web, or block the crossheads, so that the shaft cannot turn while working inside the unit.
4. Service on a machine should always start with cleaning the floor and the outside of the machinery to remove oil which could cause maintenance personnel to slip and injure themselves.
5. Never open a compressor cylinder or any other part of the compression system without first completely relieving all pressure within the unit and taking all necessary precautions to prevent accidental re-pressurizing of the system.
6. Compressors handling toxic or flammable gases must be isolated from the process piping by means of blinds, or double valves and bleed valves, when major maintenance is required. Before opening such compressors the equipment should be purged or evacuated. Minor adjustments may be performed without blinding provided that adequate precautions, such as de-pressurizing the system, are taken to protect personnel. Check valves must not be relied upon for isolating the compressor.
7. Consult OSHA regulations covering cleaning materials and their use. Volatile flammable liquids must not be used as cleaning agents for engine or compressor parts. A safety solvent should be used and the parts dried thoroughly before assembly. CARBON TETRACHLORIDE MUST NEVER BE USED AS A CLEANING SOLVENT. Appropriate provisions for ventilation should be made when using other halogenated solvents.

### 4-3. FRAME

1. The compressor frame (Figure 4-1) is a rigid, cast iron structure designed to provide a suitable mounting for compressor cylinders, crankshaft and other running gear, and to hold all parts in accurate alignment under the stresses and strains involved in operation. Suitable ribs and partitions are incorporated in the frame design to provide maximum strength compatible with reasonable weight.
2. The lower part of the frame forms a sump for the lubricating oil, and a pipe tap connection is located on the end of the frame at the bottom of the oil sump to permit sump draining. An oil level gauge is also located at one end of the frame so that the frame oil level can be checked at all times.

3. The frame contains the crankshaft, main bearings, connecting rods and crossheads, which comprise the "running gear".

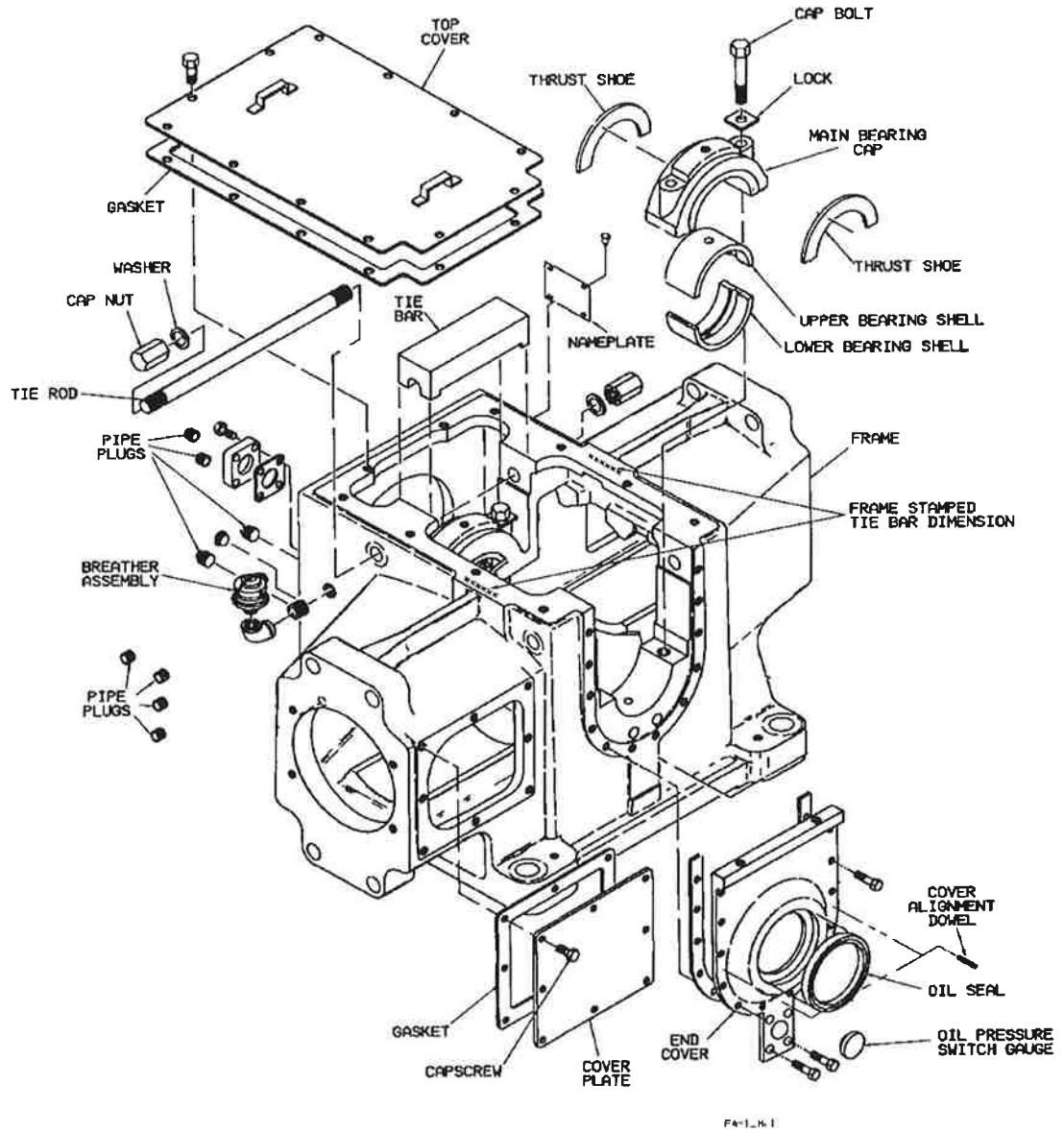


FIGURE 4-1. TYPICAL HOS FRAME

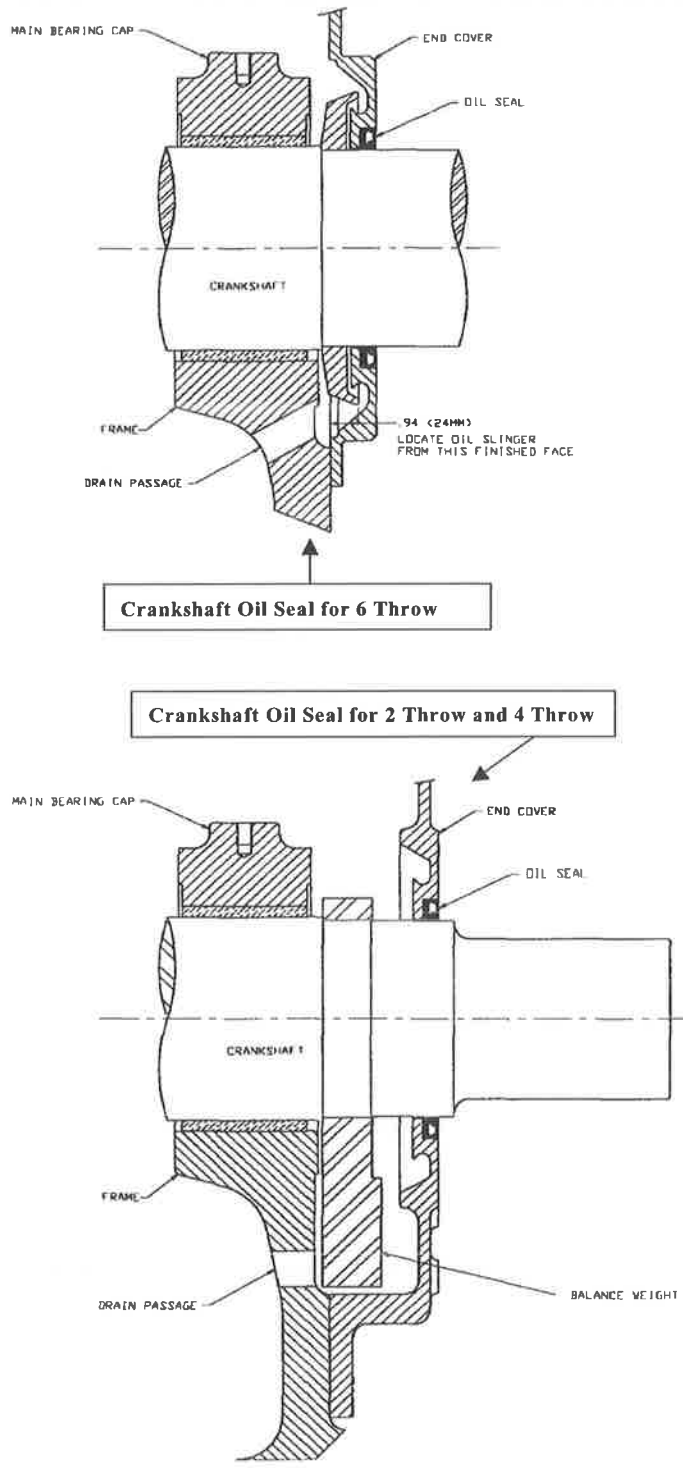


FIGURE 4-2. CRANKSHAFT OIL SEAL

### 4-4. CRANKSHAFT

The crankshaft is a single-piece, heavy steel forging and is designed to avoid torsional criticals within the operating speed range. There is a separate crank throw to carry the connecting rod for each compressor cylinder. Oil holes are drilled in the shaft from the main journals to the adjacent crank pins so that lubricating oil under pressure at the main bearings is fed to the connecting rod bearings. It is essential to the proper lubrication of the compressor that the oil passages in the crankshaft are kept clear of any obstruction. They should be inspected during any compressor overhaul for sludge or other obstructions.

### 4-5. CRANKSHAFT OIL SEAL

The crankshaft oil seal, located at the drive end of the unit as shown in Figure 4-2. A correctly installed oil seal should require little or no attention.

### CAUTION

**Should leakage occur past the crankshaft oil seal, do not, under any circumstances, reduce the bearing oil pressure in an effort to control the leakage. Reduced oil pressure can result in serious compressor damage, which might not be immediately apparent.**

*The following procedure is recommended to properly install the crankshaft oil seal:*

1. Install the front cover gasket on the frame. Install front cover by sliding it over the alignment dowels. Secure the cover by tightening the capscrews to their proper torque value.
2. Coat the oil seal with grease on only that portion that contacts the crankshaft. Orient the seal so that the seal lips are pointing toward the frame and then press the seal into the recess in the end cover.

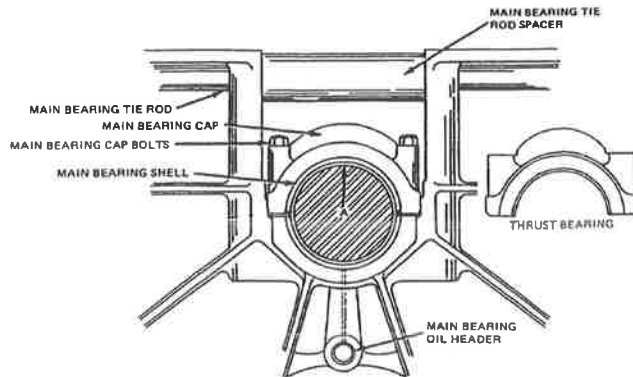
### 4-6. ACCESSORY EQUIPMENT

Items not manufactured by Dresser-Rand Company include the lubricator, oil cooler, drive engine or motor, coupling, filters, coolers, scrubbers and control devices. Additional equipment supplied by the packager of the compressor must be supported by accessory literature supplied by the various manufacturers of the components. This literature, generally including engine or drive motor manufacturer's bulletins, coupling manufacturer's bulletins and control panel manuals, is found in the overall manual prepared by the packager for the complete compressor package.

### 4-7. MAIN BEARINGS

Main bearing arrangement is shown in Figure 4-3. The main bearings are horizontally split precision aluminum shells that are accurately sized to fit the bearing caps and the support saddles in the frame.

Whenever a main bearing cap is removed from the machine, it is important that it is returned to its original position in the frame or serious damage can result. The bearing caps are match-stamped in an off center location to agree with the nearest stamping on the top of the frame partition. Always check the stamping on a bearing cap when installing it to be sure that it matches the nearest stamping on the frame partition.



**FIGURE 4-3. MAIN BEARING ARRANGEMENT**

### 4-7.1. Checking Bearing Clearance

The clearance of each main bearing can be determined by the use of Plastigage® at point "A" shown in Figure 4-3. Lay a piece of Plastigage® across the crankshaft journal, install cap and torque to specifications. Remove the cap and measure the Plastigage® to ensure you have proper clearance. Refer to CHAPTER 5, GENERAL DATA & SPECIFICATIONS, which gives the bearing clearance limits of machines as originally built. Remove Plastigage® from crankshaft and/or bearing before reassembly. These clearance limits, although only guidelines, can be helpful in determining when a bearing requires replacement. The only proper way to determine if a bearing replacement is required is to perform a visual check. It should be noted, however, that a bearing will give much longer service when the proper oil clearance is maintained. After a bearing change always recheck the actual bearing-to-shaft clearance with Plastigage® before operating the machine.

Plastigage® is the preferred method of checking bearing clearances. If Plastigage® is not available, another acceptable method is doing a lift check.

Mount a dial indicator on top of the connecting rod as close to the center of the split line as possible. Lift the connecting rod up until the clearance is removed, and note the dial indicator reading. Ensure that the crankshaft does not rotate while checking bearing clearances using the left check method.

### 4-7.2. Replacing a Main Bearing

If replacement of a main bearing becomes necessary, use these recommended steps:

## **▲ CAUTION**

**Be certain the main driver is blocked out so that there is no possibility of the driver starting. In addition, a warning sign bearing the legend "WORK IN PROGRESS - DO NOT START" must be attached to the starting equipment.**



1. Remove the top covers from the frame.
2. Loosen all frame spacer tie rods.
3. Remove the frame spacer and tie rod that corresponds to the bearing being serviced.
4. Remove the capscrews from each side of the main bearing cap.
5. Install a 1/2-inch eyebolt into the tapped hole in the top of the bearing cap. Carefully remove the bearing cap and upper bearing half.
6. Remove the lower half of the bearing by rotating it 180°. If the lower shell cannot be pushed out by hand, use a copper or soft metal "roll-out" plug in the crankshaft and "roll out" the lower shell. The plug is placed in the oil hole in the crankshaft so that it protrudes about 1/4-inch (6 mm) from the shaft; it must be flanged to prevent it from dropping into the oil hole.

### SERVICE NOTE

If more than one adjacent lower shell is removed; blocking must support the crankshaft. Always support the crankshaft on two cylinder frames.

7. Replacement bearing shells must fit the support saddle and bearing cap perfectly so that they will be uniformly supported at all points. An imperfect fit, burrs, nicks or dirt between the shells and support saddle or cap will result in stress concentration due to flexing of the shell and subsequent premature failure of the bearing.

### ⚠ CAUTION

**Never scrape the bore nor file or attempt to build up the ends of these precision bearing shells. To do so will result in a ruined bearing and possible major damage to the crankshaft.**

8. Place a lock plate under the head of each bearing cap bolt and tighten the bolts evenly to the torque value specified in CHAPTER 5, GENERAL DATA & SPECIFICATIONS. Bend the edge of the lock against the flat on the head of each cap bolt.
9. Check the installed bearing clearance with Plastigage® as described in Paragraph 4-7.1. before continuing with further assembly.
10. When one or more replacement bearings are installed, check the crankshaft alignment by checking for clearance under the bottom of the crankshaft journal at each main bearing. A 0.0015 inch (0.04 mm) feeler should not start. Any bearings found to be low must be replaced.
11. Replace the main bearing tie rod and spacer, using Teflon® pipe thread sealer under the nut heads and on the tie rod threads. The spacer is sized for an interference fit with the frame opening. Position the tie rod in the frame and spacer so that it is centered with respect to the frame. Place a washer over each end of the tie rod and then assemble and snug up the cap nuts evenly. Tighten one of the nuts until the measured distance in the spacer opening is not less than, and no more than 0.002 inch (0.05 mm) greater than, the dimension stamped in the frame adjacent to the spacer. See Figure 4-1 for stamping location.

12. Install the frame top cover and any other parts that may have been removed.

### 4-7.3. Bearing Crush

Bearing crush is the difference in height between the bearing and its housing at the parting line. This crush is actually an interference fit between the bearing and its housing. It is necessary to assure full contact between the bearing and housing to prevent flexing of the bearing shell and to aid in transferring heat from the bearing. Because both bearings and housings are precision-made parts, there is no reason to measure the bearing crush in the field. If a problem with bearing crush is suspected, contact your Dresser-Rand customer service representative.

### NOTE

Bearing *crush* has no relation to bearing *clearance* and it is important that the two are not confused.

### 4-7.4. Checking Crankshaft Thrust

End thrust of the crankshaft is limited by bronze shoes fastened to the faces of two of the main bearing caps. On two-cylinder frames, there is a main bearing at each end of the frame, and the thrust shoes are attached to the inboard faces of the bearing caps; the shoes bear against the thrust collars of the number 1 and number 2 crank webs. On the four- and six-cylinder frames, the thrust shoes are bolted to the faces of the second and third main bearing caps from the drive end of the unit; the shoes bear against the thrust collars of the number 2 and number 3 crank webs, counting from the driver end.

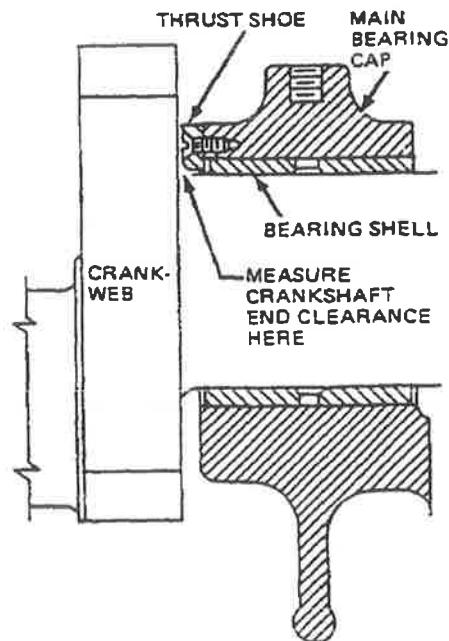


FIGURE 4-4. CRANKSHAFT THRUST ARRANGEMENT

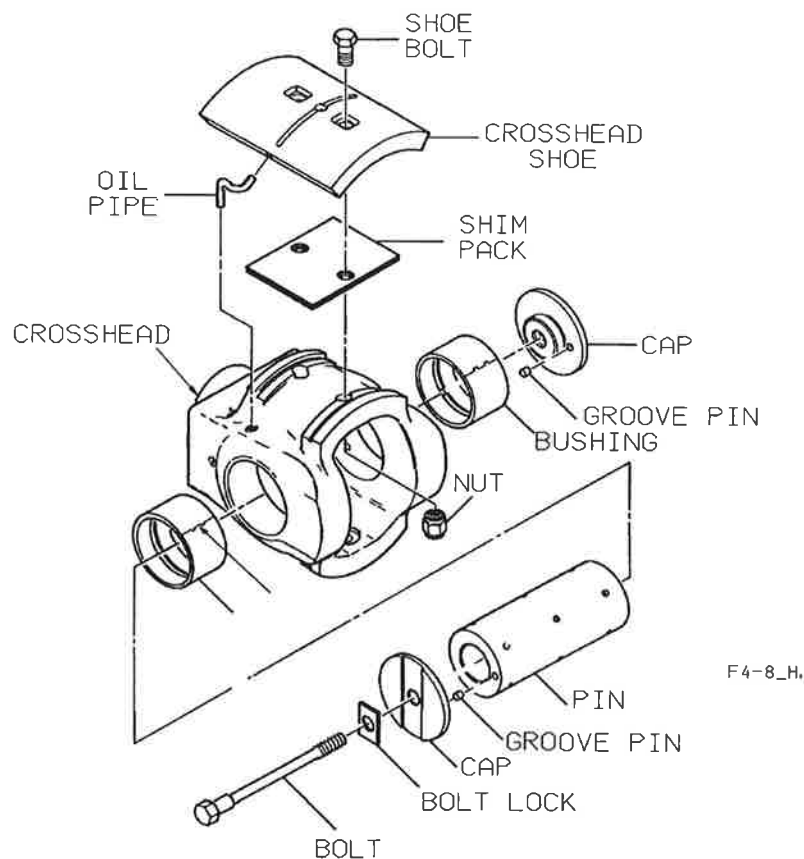
Crankshaft end thrust, or end play, is totally controlled by the position of the driver unit, whether it is a motor or a gas engine. The thrust shoes cannot in any way "control" the end thrust and the shoes are installed primarily to position the shaft axially in the frame. Normally, end thrust is negligible if the compressor and driver have been properly installed.

**⚠ CAUTION**

**If wear on the thrust surfaces is observed, the only way to correct it is moving the driver. If this isn't done, serious damage to the compressor crankshaft or frame can result.**

The compressor is originally built with a total crankshaft thrust clearance within the limits given in CHAPTER 5, GENERAL DATA & SPECIFICATIONS. The clearance can be measured by totaling the feeler clearances taken between each thrust shoe and the adjacent crank web (Figure 4-4). The manufacturing process controls the thrust and cannot be field adjusted.

**4-8. CROSSHEAD / CONNECTING ROD ASSEMBLY**



**Figure 4-5. Crosshead**

### 4-8.1 Crosshead

The compressor crosshead, Figure 4-5, is a box type with shim-adjustable shoes. The crosshead pin is full floating and is carried on two steel-backed bronze bushings that are shrunk into the crosshead. A single steel-backed bronze bushing is shrunk into the eye of the connecting rod. The compressor piston rod screws into the crosshead and is secured by a crosshead locknut.

### 4-8.2. Connecting Rods

The compressor connecting rods are made of forged steel and incorporate a one-piece, shrink-fitted bronze bushing with a light babbitted coating in the small end and two-piece bearing shells in the large (crankpin) end. The rods are rifle drilled from the connecting rod journal bearing-end to the crosshead pin-end, providing a passageway for the lubricating oil between the two points.

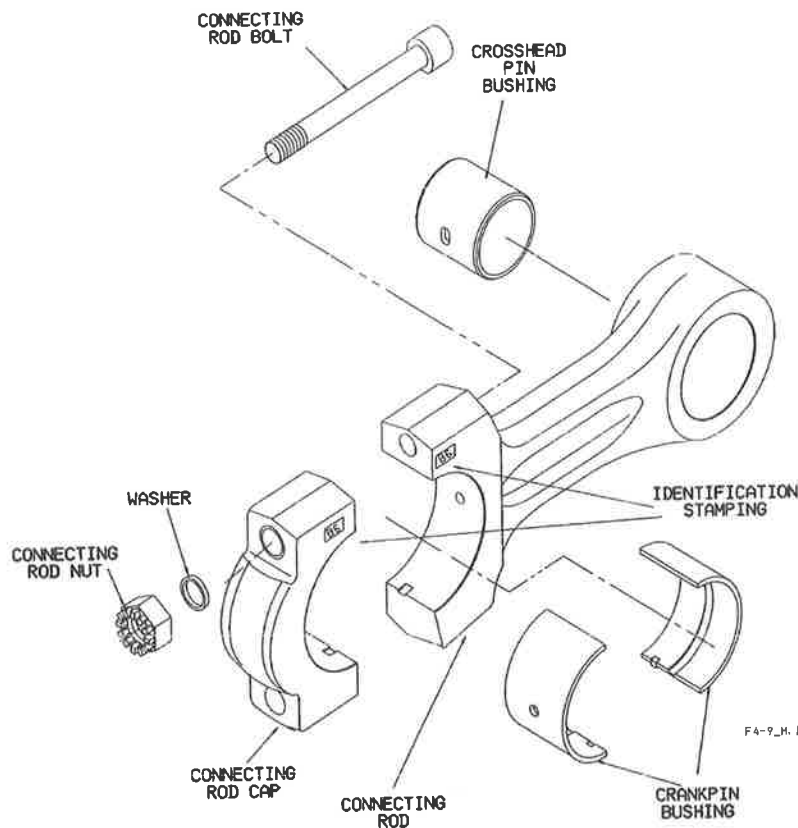


Figure 4-6. Connecting Rod & Bearing Assembly

### 4-8.3. Connecting Rod Bearings

The connecting rod bearing is a split steel-backed bronze design with a babbitt overlay. See Figure 4-6, which shows the assembled position of the bearing in the connecting rod. This is a precision bearing, which requires no adjustment. If the bearing-to-shaft clearance becomes excessive and the bearing is noisy, the bearing shells must be replaced.

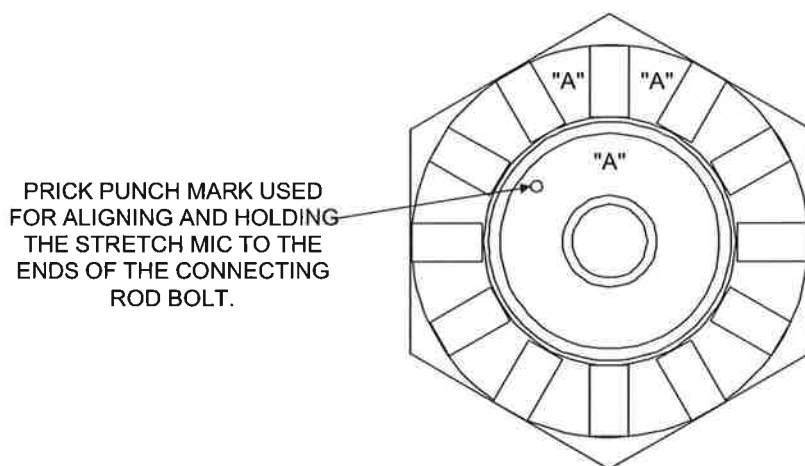
When the connecting rod cap is removed from the rod, it must be reassembled in exactly the same position it held during factory assembly or serious damage to the machine can result. The cap and its rod are stamped with identical letter and number markings as shown in Figure 4-6.

**NOTE**

While checking bearing clearances with Plastigage® make sure crankshaft does not rotate.

At the factory the bolts are stretched per specifications in CHAPTER 5, GENERAL DATA AND SPECIFICATIONS. Once the proper stretch has been achieved, the end of the bolt and the face of the nut are stamped with three corresponding letters. (See Figure 4 -7).

If a new connecting rod is being installed or if the existing components become mixed up during disassembly, please use the following bolt stretch procedure. The following procedure may be done while the connecting rod is installed in the frame, but the preferred method is with the connecting rod on a workbench.



"A" REPRESENTS THE ALIGNMENT MARK THAT IS PUNCHED INTO THE END OF THE CONNECTING ROD NUT. IT IS NOT NECESSARILY A LETTER, IT MAY BE A PUNCH MARK OR A NUMBER.

**Figure 4-7. Identification of Connecting Rod Bolt Markings**

**A. Stretch Micrometer Procedure**

**NOTE**

Before removing connecting rod nuts make note of the match mark stampings on the face of the nut and the end of the bolt as shown in Figure 4-7. Ensure all components (nuts, washers, bolts) are reassembled in the same position as they were removed. It is extremely important that these components are not mixed up. If this happens refer to the connecting rod bolt stretch procedure.

## Maintenance

---

1. Prior to assembly, thoroughly degrease with solvent and dry all contact surfaces of rod, nut and washer.
2. Thoroughly lubricate bolt threads with an anti-seize lubricant after placing it in the hole.

### NOTE

When using anti-seize lubricants, care should be taken not to use excessive amounts. Excessive amounts could contaminate oil samples.

3. Lubricate the contact surface between the nut face and the washer with anti-seize. The surface between the washer face and rod must remain dry, so washer does not rotate.
4. Bolts should be prick (center) punched on each end, before assembly, to ensure that micrometer reading is taken in the same place before and after elongation.
5. The micrometer reading of the bolt length should be taken before the nut is tightened (see Figure 4-8). This dimension should be recorded for future reference. (This should be done on both bolts prior to any tightening.)
6. Bolts shall be tightened in a cross pattern ensuring that all bolts are tightened in equal increments.
7. Each nut should be tightened in small increments until the micrometer reading indicates the bolt has been elongated (stretched) the specified amount. For proper stretch dimensions refer to CHAPTER 5, GENERAL DATA & SPECIFICATIONS.
8. After proper elongation (stretch) is attained the face of the nut and the end of the bolt should be match marked as shown in Figure 4-7.

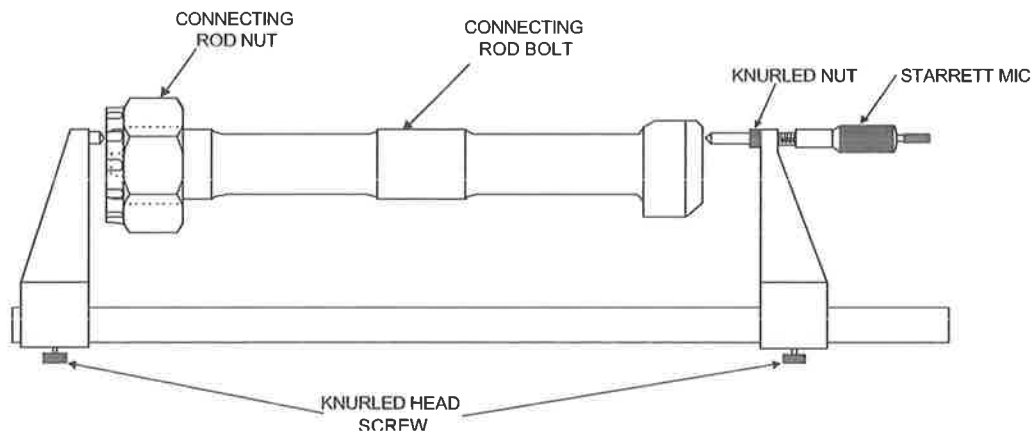


Figure 4-8. Stretch Micrometer

Connecting rod bearing-to-shaft clearance can be checked by using Plastigage®. Lay a piece of Plastigage® across the crankshaft journal, install cap and tighten to connecting rod bolt stretching procedure. Remove the cap and measure the Plastigage® to ensure you have proper clearance. The assembly clearance specifications are given in the list of part fits and tolerances in CHAPTER 5, GENERAL DATA & SPECIFICATIONS. Remove Plastigage® from crankshaft and/or bearing before reassembly.

### 4-8.4. Replacing Connecting Rod Bearings

1. Remove the frame top cover that will give access to the connecting rod.

#### **⚠ WARNING**

**Before barring the unit over, the operator must ensure that the driver will not start either by grounding the ignition and closing the fuel gas valve on gas engine-driven units or by ensuring that power cannot be turned on with electric motor-driven units. Failure to heed this WARNING can result in a fatal accident if the unit rolls over unexpectedly.**

2. Rotate the crankshaft to place the connecting rod in a convenient position to remove the cap.

#### **NOTE**

Before removing connecting rod nuts make note of the match mark stampings on the face of the nut and the end of the bolt as shown in Figure 4-7. Ensure all components (nuts, washers, bolts) are reassembled in the same position as they were removed. It is extremely important that these components are not mixed up. If this happens refer to the connecting rod bolt stretch procedure.

3. Pull the cotter pins and remove the nuts and washers from the connecting rod bolts.
4. Carefully lift the connecting rod cap and cap bearing half out of the frame.
5. Support the connecting rod and then rotate the crankshaft to move the crankpin away from the rod so that the rod bearing half can be removed.
6. Clean the replacement bearing shells, being certain that the oil holes and grooves are clear, and also clean the bore in the connecting rod and cap before assembling the new bearing. It is essential that there be no dirt or foreign particles between the bearing shells and the rod, and that the shells fit their housing perfectly so that they are supported uniformly at all points. It is normally not required to check bearing crush since these are precision made and inspected parts. If a bearing crush problem is suspected, contact your Dresser-Rand service representative.
7. Install the bearing shell halves in the rod and cap. Each shell half has a tab on its outer edge at the parting line. The tabs fit into slots which are machined into the rod and cap and accurately position each shell half and lock the bearings to prevent rotation in the bore.

## Maintenance

---

8. Assemble the rod and cap on the crankpin. Work carefully to assure correct assembly and to prevent damaging the parts.
9. Tighten the nuts on the connecting rod bolts uniformly until the bolts are elongated (stretched) the amount given in CHAPTER 5, GENERAL DATA & SPECIFICATIONS. Bolt elongation is determined by measuring the length of the bolt both before and after tightening.
10. Check the connecting rod bearing-to-crankpin clearance as described previously.
11. Insert and bend a cotter pin to lock each nut on the rod bolt. When it is necessary to reposition the nut to install the cotter pin, always turn the nut in the tightening direction.
12. Check to be sure no tools have been left inside the frame and replace the top cover on the frame.

### 4-8.5. Crossheads and Pins

The conventional crosshead, figure 4-6, is the box type with shim adjustable shoes. The crosshead pin is full floating and is carried on two steel-backed bronze bushings that are shrunk into the crosshead. A single steel-backed bronze bushing is shrunk into the eye of the connecting rod. The compressor piston rod screws into the crosshead and is secured by a crosshead jam nut.

Normal running clearance of the crosshead in the guide is specified in CHAPTER 5.

### 4-8.6. Removing Crosshead and Connecting Rod

The connecting rod should be removed from the frame if it is necessary to replace the crosshead pin bushing that is shrunk into the small end of the rod. To remove the connecting rod:

1. Remove the top frame cover, tie bar(s), and frame extension cover that will give access to the connecting rod.

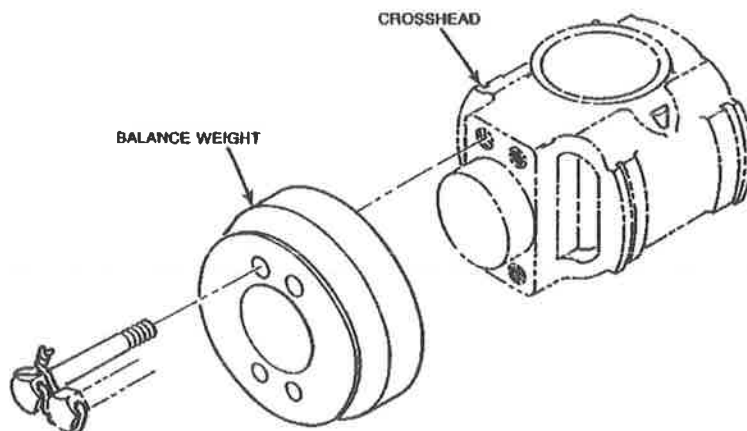
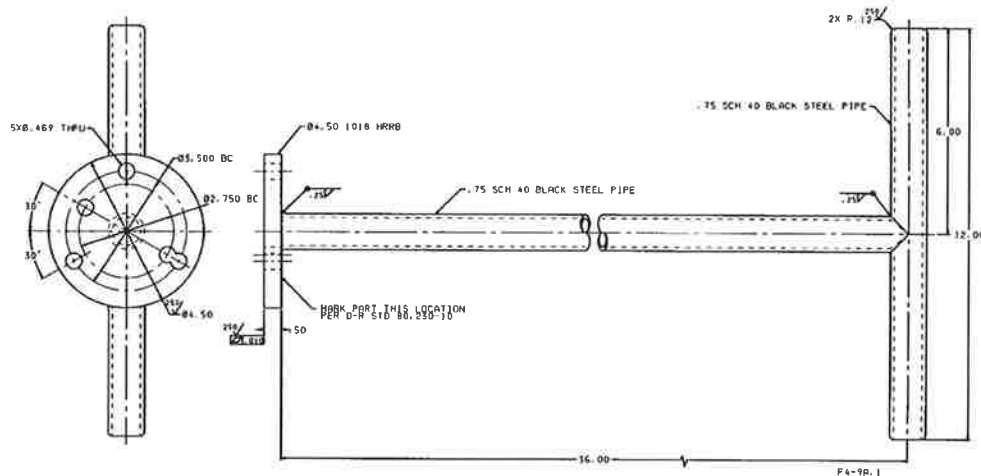


Figure 4-9. Lockwire Crosshead Balance Weights as Shown



2. All crosshead balance weights must be removed from the nose of the crosshead by removing the lockwire and cap bolts. (See Figure 4-9.)
3. Unscrew the piston rod from the crosshead using a strap wrench or a piston removal tool as shown in Figure 4-10. As the piston rod thread disengages from the crosshead, unscrew the crosshead jam nut and remove balance weights (if required) and lay them aside. Pull the piston rod away from the crosshead being careful not to pull the threads into the scraper rings.



**Figure 4-10. Piston Removal Tool**

4. Remove the crosshead pin bolt lock and unscrew the crosshead pin bolt. The pin end caps are doweled to the pin. Remove the pin end caps. A steel chisel of appropriate length wedged between the bottom of the crosshead extension and pin bolt slot will aid in removing the pin bolt.
5. Use pieces of 2 X 4 lumber to wedge the crosshead end of the connecting rod upward enough to take the weight of the rod off the pin. Block the rod and remove the pin.
6. Rotate the crosshead 90° in the guide to place it on its side and remove the crosshead from the frame.
7. Immediately mark the crosshead to identify which cylinder it is associated with and which face is positioned at the top.
8. Bar the compressor over until the cylinder is at mid-stroke and the connecting rod being worked on is positioned at the top of the frame. Break the connecting rod cap bolts loose.

### **▲WARNING**

**Before barring the unit over, the operator must insure the driver will not start; either by grounding the ignition and closing the fuel gas valve on engine driven units, or by insuring that power cannot be turned on with electric motor driven units. Failure to heed this WARNING can result in a fatal accident if the unit rolls over unexpectedly.**

### NOTE

Before removing connecting rod nuts make note of the match mark stampings on the face of the nut and the end of the bolt as shown in Figure 4-7. Ensure all components (nuts, washers, bolts) are reassembled in the same position as they were removed. It is extremely important that these components are not mixed up. If this happens refer to the connecting rod bolt stretch procedure.

9. Remove the connecting rod cap.
10. Move the connecting rod and crankshaft to gain space for removing the rod. Ensure the crosshead guides are protected from damage. Ease the large end of the connecting rod past the crankshaft with care to prevent damage to the crosshead guide or the crankpin. Continue to rotate the crankshaft until the webs are positioned such that the small end of the connecting rod will pass.

### 4-8.7. Replacing Small End Bushing

The small end bushing-to-crosshead pin clearance can be checked by comparing micrometer measurements of the pin O.D. and bushing I.D. The bushing is non-adjustable; it must be replaced with a new one when the clearance becomes excessive or if the bushing is otherwise defective.

1. Press or machine the old bushing out of the connecting rod. If a machining operation is used, be careful not to cut into the connecting rod.
2. Clean the rod and check to make sure it is not bent or twisted. Maximum allowable bend and/or twist is 0.003 inch (0.076 mm).

### WARNING

**Always use liquid nitrogen in a well ventilated area and protect the eyes and skin from contact. Improper use may result in frostbite, respiratory ailments or asphyxia.**

3. The replacement bushing must be chilled (using liquid nitrogen) to reduce its outer dimension sufficiently so that it can be pressed into the eye of the connecting rod without applying an appreciable amount of force. The back of the bushing and connecting rod eye must be wiped clean before installing the bushing.

### CAUTION

**There is a hole in the connecting rod bushing, which must align with the rifle-drilled hole in the rod to ensure sufficient lubrication of the crosshead. If the hole is not aligned properly, the crosshead bushings will be quickly destroyed.**

4. Use an insertion tool as shown in Figure 4-11 to press the chilled bushing into the rod. The tool will aid in keeping the bushing square as it enters the rod. Do not allow the bushing to warm up during this procedure. Excessive force on these thin-walled bushings will cause distortion.

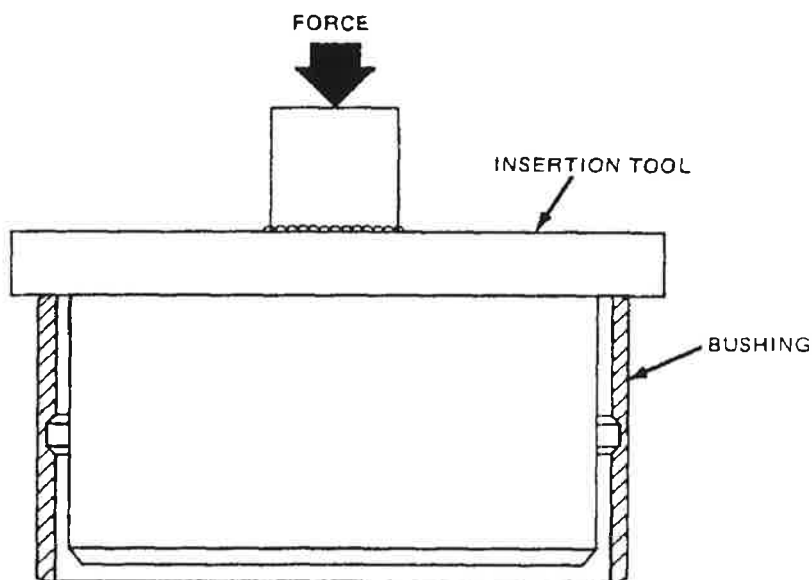


Figure 4-11. Bushing Insertion Tool

5. Be sure to align the hole in the bushing with the rifle-drilled hole in the rod. Check the pin-to-bushing clearance of the new parts. Refer to CHAPTER 5, GENERAL DATA & SPECIFICATIONS for assembly fits and tolerances.
6. Install the connecting rod in the compressor using the reverse of the removal procedure. Be sure the rifle-drilled oil passage in the rod is clear of any obstruction before installing the rod. Refer to the appropriate instructions when assembling the rod on the crankshaft and when installing the crosshead pin.
7. If new parts are being used, check for sufficient side clearance between the connecting rod and adjacent crank webs. This clearance can be measured with feelers and compared with the listed assembly clearance limits. As a final check of proper connecting rod installation, it is suggested that the unit be barred through one complete revolution while watching the connecting rod to see that it runs true on the crankpin. Replace the top cover on the frame.

### ▲ CAUTION

The connecting rod bolts must be kept tight at all times. If they are allowed to loosen, broken bolts and considerable damage will occur. If these connecting rod bolts have been allowed to run in a loosened condition, as noted upon inspection, they should be replaced to prevent future fatigue failure no matter what their visual appearance. New bolts must be securely tightened to the proper torque specified in CHAPTER 5, GENERAL DATA & SPECIFICATIONS.

### 4-8-8. Replacing Crosshead Pin and Bushing

To replace the crosshead bushings, the crosshead must be removed from the machine as previously described.

1. Use a puller to remove the shrink fitted bushings from the crosshead. It is also possible to drive out the bushings.

#### CAUTION

**There is a hole drilled in each crosshead pin bushing. This hole must align with the oil hole in the crosshead to ensure adequate lubrication of the crosshead shoes. Improper installation will result in a scored crosshead guide and ruined shoes.**

2. Clean the bore in the crosshead and wipe off the replacement bushings. Chill the bushings in liquid nitrogen to reduce the diameters so they can be pressed into the crosshead without applying appreciable force. Insert the bushings into the bore. When inserting the bushing use a tool as shown in Figure 4-9 to keep the bushing square to the bore. Do not allow the bushing to warm up. Excessive insertion force on these thin wall bushings will cause distortion. Bushings must be flush with the edge of the crosshead.

#### WARNING

**Always use liquid nitrogen in a well ventilated area and protect the eyes and skin from contact. Improper use may result in frostbite, respiratory ailments or asphyxia.**

3. Mic the I.D. of the bushing and the O.D. of the crosshead pin. Refer to CHAPTER 5, GENERAL DATA & SPECIFICATIONS for the proper clearance.
4. Install the crosshead into the crosshead guide using the opposite procedure as previously described for removal in Paragraph 4-8.6.
5. Oil the crosshead pin and slide it into place in the crosshead and connecting rod. Assemble the end covers (the end covers are doweled to the pin) and replace the bolt to fasten the covers to the pin.
6. Check to see that the lock is in place under the head of the bolt and then tighten the bolt to the torque given in CHAPTER 5, GENERAL DATA & SPECIFICATIONS. Bend up the lock tabs to secure the bolt.
7. Remove any blocking device used and replace the frame extension cover.

### 4-8.9. Crosshead Shoe Replacement and Piston Rod Runout Adjustment

The crosshead shoes are fitted at the factory with the clearance listed in CHAPTER 5, GENERAL DATA & SPECIFICATIONS between the top shoe and upper crosshead guide. However, this clearance as well as the compressor piston rod alignment must be checked before starting a new unit and also after any replacement of compressor cylinder, piston, piston rod or crosshead shoes. Adjustment or replacement of the crosshead shoes is indicated when the shoes become noisy or when the compressor piston rod runout exceeds the specified limits.

With the compressor cylinder correctly installed and the piston rod crosshead locknut tightened, check the crosshead to be sure it is resting squarely on the lower guide. Do this by checking for clearance under the bottom crosshead shoe; a 0.0015 inch (0.04 mm) feeler should not enter between the center of the bottom shoe and guide at either end of the shoe. Measure the clearance between the top shoe and the upper guide at all four corners. Record these clearances for later reference.

The compressor piston rod runout (alignment) must be checked before starting a new unit or after any replacement of compressor cylinder, piston, piston rod or crosshead. Be sure the crosshead locknut has been properly tightened against the crosshead before checking the piston rod runout.

One of the primary reasons to keep rod runout within limits is to keep the rod running true through the piston rod packing, thus ensuring the longest possible packing life with the least leakage.

Piston rod runout is usually checked with the unit "cold". Vertical rod runout under these conditions is mainly influenced by the crosshead-to-crosshead guide cold clearance and the compressor piston-to-cylinder bore clearance. Because the compressor piston "grows" as it heats up during operation, it is normal to see a cold vertical runout much larger than what it will be when the unit is operating.

Runout limits are given in Table 4-1. All runout figures assume that the piston end of the rod is "low" to compensate for thermal growth of the piston. After running for four hours under full load and temperature conditions, check the "hot" runout. Runout should be as close to zero as possible.

There is no adjustment for horizontal piston rod runout, and it should not exceed 0.003 inch (0.08 mm) if everything is fitted properly.

**Factors that can influence piston rod runout are as follows:**

- A. Lack of proper supports, particularly on larger cylinders where excessive cylinder "droop" can occur.
- B. Excessive piping strain on the cylinder, or distorted cylinder supports pulling the cylinder out of alignment.
- C. Cylinder-to-frame joint burrs or debris in the joint, causing the cylinder to be misaligned.
- D. Excessive piston or cylinder bore wear. This can be checked by measuring the piston and bore with the appropriate micrometers.
- E. Worn crosshead shoes. Crosshead shoes are adjustable on conventional crossheads only and may be shimmed if worn.

**Table 4-1. Normal Cold Vertical Piston Rod Runout**

Cylinder Bore Diameter (Inches)	Approximate Cold Runout (Inches)
4.75 – 8.00	0.0000 - 0.0020
9.50 – 11.50	0.0005 - 0.0025
13.00 - 15.00	0.0015 - 0.0035
17.50 – 20.50	0.0025 - 0.0055
23.00 – 26.50	0.0040 – 0.0065

## Maintenance

---

- F. A worn (or bent) piston rod. Check rod diameters along the full length of the rod if this is suspected. Also, check for bending. A worn or bent rod should be replaced.
- G. A crosshead jam nut not seating squarely against the crosshead nose. Improperly machined parts or debris can cause this situation.

### A. Crosshead Shoe Replacement

- 1. To remove the crosshead shoes pull the crosshead pin and remove the crosshead as described in Paragraph 4-8.6.

#### NOTE

Ensure the shims, which are removed, are reinstalled in the same position. It is recommended (but not required) that all lock nuts be replaced after initial use.

- 2. Remove the lock nuts, which secure the shoes to the crosshead.
- 3. Install new crosshead shoes and torque to the proper specifications listed in CHAPTER 5, GENERAL DATA & SPECIFICATIONS.
- 4. Mic the I.D. of the crosshead guide and the O.D. of the crosshead to ensure you have the proper running clearances per CHAPTER 5, GENERAL DATA & SPECIFICATIONS.
- 5. Reinstall the crosshead into the crosshead guide.

### B. Piston Rod Runout Adjustment

*The following instructions describe the recommended procedure for checking and adjusting the compressor piston rod runout:*

- 1. Mount a dial indicator in the distance piece so that it will read on the top of the piston rod. Be sure the indicator is securely mounted and depress the indicator button, rotating the pointer one revolution on the dial to preload the indicator. Set the dial to the zero mark.
- 2. Bar the compressor through 180°, starting from the maximum outboard stroke. *The largest reading seen during this 180° traverse to the inboard stroke position, whether plus or minus, is the total runout and is to be recorded on the frame record card using the proper sign (±) for the number.* In order to check the accuracy of the reading, continue to bar the compressor an additional 180° (in the same direction of rotation) to the maximum outboard stroke position. The dial indicator should now be pointing to zero; if not, the indicator has moved.

#### SERVICE NOTE

If the indicator needle "jumps" at the extreme ends of the stroke it is an indication of either a loose crosshead jam nut or a nut face that is not square to the crosshead nose.

3. The piston rod runout is adjusted in the vertical direction by adding or removing shims between the crosshead and its bottom shoe. If the piston rod is high at the piston end, shims must be added under the bottom shoe. If the rod is high at the crosshead end, shims must be removed from under the bottom shoe. If there is some confusion as to which end of the rod is high, a machinist's level can be placed on the piston rod to tell whether the crosshead must be raised or lowered. Always remember that the shim thickness removed or added to one shoe must then be either added or removed from the other shoe if the required top shoe-to-guide clearance is to be maintained.
4. Since the piston rod runout is initially checked and adjusted with the parts cold, the rod should normally be set slightly lower at the piston end to compensate for piston expansion when running at design load and temperature conditions. The amount the piston is set lower than the crosshead is determined by both the size and material of the piston. (Larger piston sizes should be set slightly lower to compensate for increased expansion.) **See Table 4-1.**
5. It is necessary to remove the shim from under the crosshead shoe to adjust the shim thickness. To remove the shoe, pull the crosshead pin as described in the instructions which follow; the crosshead shoe bolt nuts can then be removed and the crosshead rotated 90° in its guides to allow the shoe to be removed through the side inspection opening in the frame extension. Take off the shim and add or remove laminations as required. Generally, adding or removing one shim lamination will change the indicated rod runout about 0.001 inch (0.03 mm); therefore, to raise the indicated rod runout 0.002 inch (0.05 mm) at the crosshead end, it would be necessary to add two laminations to the shim used under the bottom shoe. Always remove or add a like number of laminations to the upper shoe to maintain the required top shoe-to-guide clearance.
6. Re-check the piston rod runout with a dial indicator, as described in Steps 1 and 2, after each shoe adjustment. Always check rod runout with the piston rod crosshead jam nut firmly tightened as a loose nut can alter the runout reading.
7. After setting the rod runout initially, and before operating the compressor, check that there is running clearance between the piston rod and piston rod packing glands.
8. There is no adjustment for horizontal piston rod runout. It is important, however, that the rod runout is checked in the horizontal direction by arranging the dial indicator to read on the side of the rod. If the horizontal indicated rod runout exceeds 0.003 inch (0.08 mm), the cause must be located and corrected. Check the cylinder, yoke and frame mating surfaces for dirt, nicks or burrs. Another possible cause of misalignment is an improperly tightened crosshead locknut or a nut that is not seating squarely against the crosshead. The possibility of cylinder supports or piping pulling the cylinder out of alignment should also be explored.
9. Both the piston rod alignment and the crosshead top shoe-to-guide clearance should be checked after operating the compressor for at least four hours under full load and temperature conditions. These checks must be made immediately after shutting down before the parts have had a chance to cool. Piston rod runout should be as close to zero as possible and must not exceed the limits given in Table 4-1 in any plane. The minimum acceptable clearance between the top crosshead shoe and guide with the parts at operating temperature is given in CHAPTER 5, GENERAL DATA & SPECIFICATIONS. If it is necessary to remove the shims to obtain this minimum clearance, be sure they are removed from under the top shoe. Record the hot clearance for future reference.

### 4-9. COMPRESSOR CYLINDERS

A wide variety of cylinder types are used on the 6-inch stroke HOS compressor. These can be divided into two major families – water cooled and gas cooled. Examples of these two families of cylinder are illustrated in Figure 4-12.

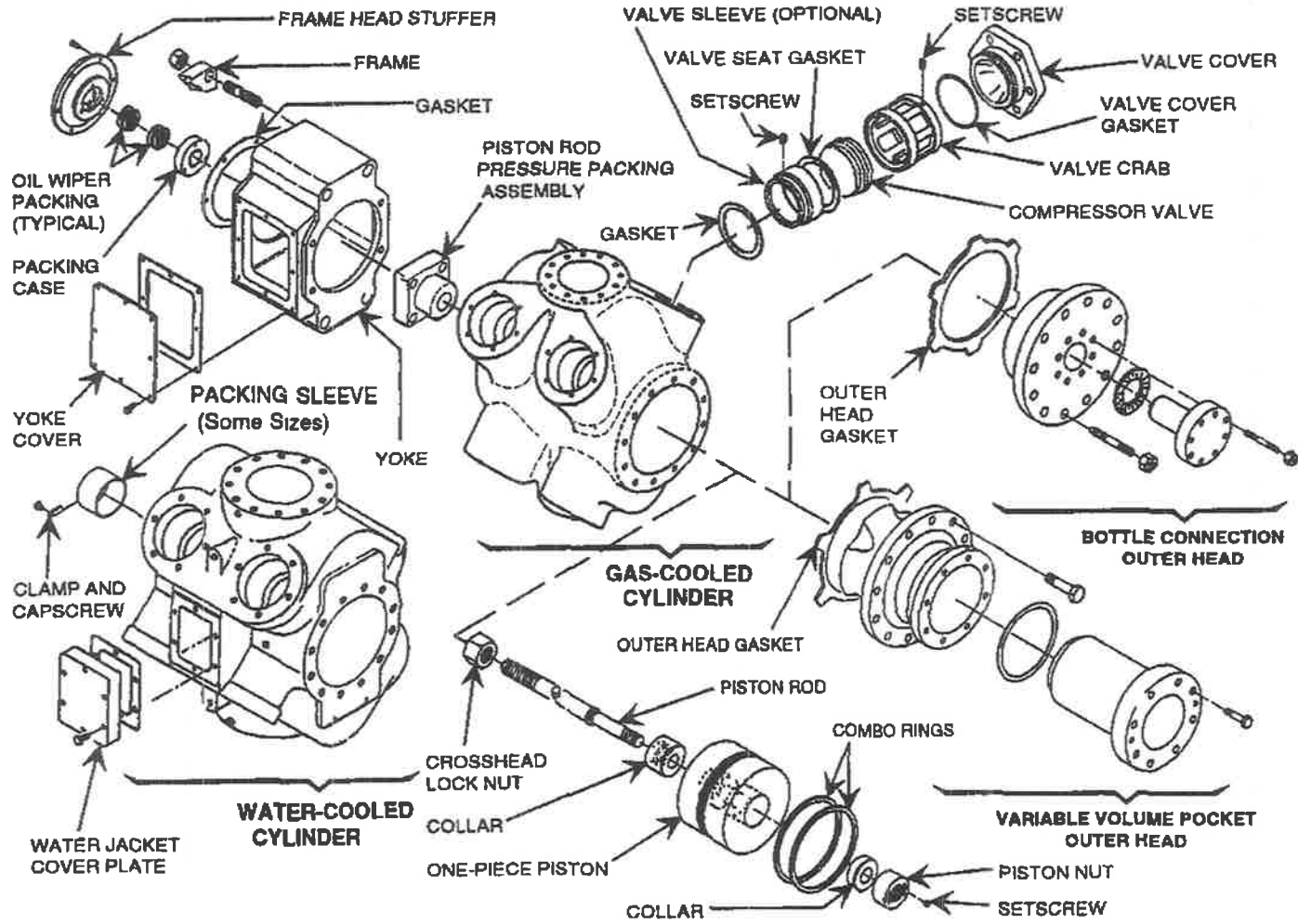


Figure 4-12. Typical HOS Cylinders



Water-cooled cylinders are available in standard bore sizes from 4-3/4 inches to 26-1/2 inches in diameter in cast iron, while gas-cooled cylinders with bores ranging from 6 inches to 15 inches in diameter are available in nodular iron as standard. (The cylinder line-up is shown in Table 4-3.)

### **⚠ WARNING**

**All precautionary measures specified by the Occupational Safety and Health Act of 1970 (OSHA) must be complied with when storing, handling, or using solvents.**

The cylinder bores, valves, valve passages, piston rod packings and any regulation equipment supplied should be inspected at regular intervals (refer to the routine maintenance schedule in Chapter 3), and any accumulations of foreign matter should be removed. Valves must be dismantled, soaked in safety solvent and physically brushed to soften and remove any deposits; a light scraping usually will suffice to clean the cylinder valve passages.

Dresser-Rand Type PF valves are used as standard in HOS cylinders. Detailed instructions for servicing the valves can be found in this chapter, Paragraph 4-16.4.

With water-cooled cylinders, mud will be deposited in the cylinder jackets, water heads and packing cooling sleeves if the circulating coolant (usually a mixture of 50-50 ethylene glycol and water) is dirty. This will eventually obstruct the flow of coolant unless care is used to prevent such an accumulation. Clogged passages will interfere with proper cooling, which will result in possible damage to the cylinder, pistons and packing.

The cylinder water jacket cover plate or hand hole covers (depending on design) should be removed occasionally and the water jackets and passages inspected. If any mud deposit is found, clean it out thoroughly and flush the jackets with water.

Piston and ring clearances for standard water-cooled and gas-cooled HOS cylinders are given in Table 4-3. Clearances for non-standard bore diameter cylinders will be given in a separate addendum sheet prepared for your unit. *The specified clearance limits are those to which the parts are originally assembled.*

Varying operating conditions at different installations make it generally impractical to specify maximum acceptable clearances. Careful observation by the operator and good judgment by the mechanic are often the most effective means of determining when clearances have become excessive and adjustment or replacement of parts is required.

Before doing any maintenance work on the cylinders, closely observe the minimum safety precautions described previously in Paragraph 4-2. ***To protect personnel, it is imperative that all pressure be bled from the cylinder passages before attempting to open the cylinder.***

Also, before servicing the cylinders, review the Parts List illustrations thoroughly to become familiar with the particular assemblies involved. There may be slight design differences on a particular assembly that can require a modification to the recommended maintenance procedures.

#### **4-9.1. Removing and Installing Compressor Cylinders**

The compressor cylinder can be opened and the various cylinder components serviced as described in the maintenance instructions that follow. If the complete cylinder is to be removed from the compressor frame, it is first necessary to disconnect all piping from the cylinder, as applicable. Also, the compressor piston rod assembly should be removed from the cylinder as explained in the instructions, which follow. To remove the

## Maintenance

---

cylinder from the frame, support the weight of the cylinder with rigging from an overhead hoist, or other means, and then unbolt the cylinder from the main frame and carefully lower the cylinder assembly to the floor.

Normally, the cylinders are mounted on the compressor frame when it is shipped to the installation site. However, in some instances, usually because of shipping and packaging restrictions, the cylinder is shipped separately and must be installed at the compressor site. Refer to the installation plans prepared for the compressor to determine the position in which each cylinder is to be mounted.

Before doing any maintenance work on the cylinders, closely observe the minimum safety precautions described previously in Paragraph 4-2. **To protect personnel, it is imperative that all pressure be bled from the cylinder passages before attempting to open the cylinder.**

Also, before servicing the cylinders, review the Parts List illustrations thoroughly to become familiar with the particular assemblies involved. There may be slight design differences on a particular assembly that can require a modification to the recommended maintenance procedures.

The compressor cylinder can be opened and the various cylinder components serviced as described in the maintenance instructions that follow.

### A. Removing Compressor Cylinder

***Remove the compressor cylinder from the compressor frame as follows:***

1. If the complete cylinder is to be removed from the compressor frame, it is first necessary to disconnect all of the gas, oil, water and control piping from the cylinder, as applicable.
2. The compressor piston and rod should next be removed from the cylinder as explained in the instructions which follow in Paragraph 4-9.3.
3. To remove the cylinder from the frame, support the weight of the cylinder with rigging from an overhead hoist, or other means, then unbolt the cylinder yoke from the main frame and carefully lower the cylinder assembly to the floor.

### NOTE

Cylinders must be returned to their original locations on the frame. Never change cylinder mounting locations without first consulting the nearest Dresser-Rand office.

Instructions for installing and aligning the compressor cylinder are described below. Install one cylinder at a time on the unit. Where supports are used, insert leveling screws in the support bases being sure the threads are greased and free in their holes.

### B. Installing Compressor Cylinder

***Install and align the cylinder on the compressor frame as follows:***

1. Thoroughly clean the mating surfaces on the cylinder and yoke. Coat both surfaces with gasket shellac, but do not use a gasket.

**NOTE**

Mating surfaces must be checked for flatness. Flatness of both mating components should be within .002".

2. Using capscrews, bolt the cylinder and yoke together. Insert the four cylinder-to-frame tie rods through the yokes and into the cylinder.
3. Thoroughly clean the mating surfaces on the frame extension and yoke. Coat both surfaces with gasket shellac, but do not use a gasket.
4. Mount the cylinder and yoke assembly on the frame. The cylinder yoke is centered on the frame extension by a shoulder which fits closely into the frame extension bore. Support the cylinder and then snug down the two top tie rod nuts.
5. Clean the gasket surface for the inlet (flange) on top of the cylinder and place a level on this surface parallel to the crankshaft. Rotate the cylinder until the gasket surface is level with the top of the frame; then, secure the cylinder.
6. Depending on the particular compressor, the cylinder may be equipped with a yoke support, or outer end support, or a combination of both. With either support location, the support must be adjusted so that it is supporting the weight of the cylinder but not placing an upward strain on the cylinder-to-frame bolting. The following procedure is recommended when an outer end support is used:
  - A. Loosen the cylinder-to-frame tie rod nuts and capscrews, leaving the two top tie rod nuts snugged down lightly.
  - B. Raise the cylinder with the support leveling setscrews until a 0.0015 inch (0.04 mm) feeler gauge can just be started at the bottom cylinder-to-frame joint.
  - C. Lower the cylinder to just close the joint, then tighten the cylinder to frame tie rod nuts using a torque wrench to obtain 40,000 PSI (276 Mpa) pre-stress. See CHAPTER 5, GENERAL DATA & SPECIFICATIONS for torque value.
7. Remove the outer head from the cylinder. Using a machinist's level having a cross level, check that the cylinder bore in the piston travel area is level. Locate the cause of any misalignment. **Do not use the support leveling setscrews to force the cylinder into alignment.**
8. Check the level of the crosshead guide. The cylinder bore and the crosshead guide need not be perfectly level, but both should be in the same plane. Do not use the cylinder inlet (or discharge) connection as an alternate to the cylinder bore. If the crosshead guides are level but one or more cylinders is not, the most likely cause is dirt or raised material in the joint where the cylinder fits the yoke or where the yoke mates with the frame extension.

Assembly of the compressor cylinders, including installation of valves and rod, piston rod packing, alignment of the piston rod and adjustment of piston and clearances, is completed by following the appropriate assembly procedures outlined in this manual.

**4-9.2. Disassembly and Assembly of Pistons & Piston Rods**

1. Observe all possible safety precautions as described previously in Paragraph 4-2.

## Maintenance

---

2. Block the crosshead by jamming wooden blocks between the crosshead and frame extension to prevent twisting the crosshead and/or connecting rod when removing the locknut.
3. Loosen the crosshead locknut on the piston rod.
4. Remove the piston rod pressure packing and oil scraper rings as explained later in these instructions in Paragraphs 4-13. and 4-14. Always remove the packing rings before pulling or installing the piston rod; never slide these rings over the end of the rod.

### CAUTION

**Never use a pipe wrench on the piston rod. Take every precaution to avoid scratching or nicking the piston rod surface. Even a slight nick in the rod can ruin the packing rings.**

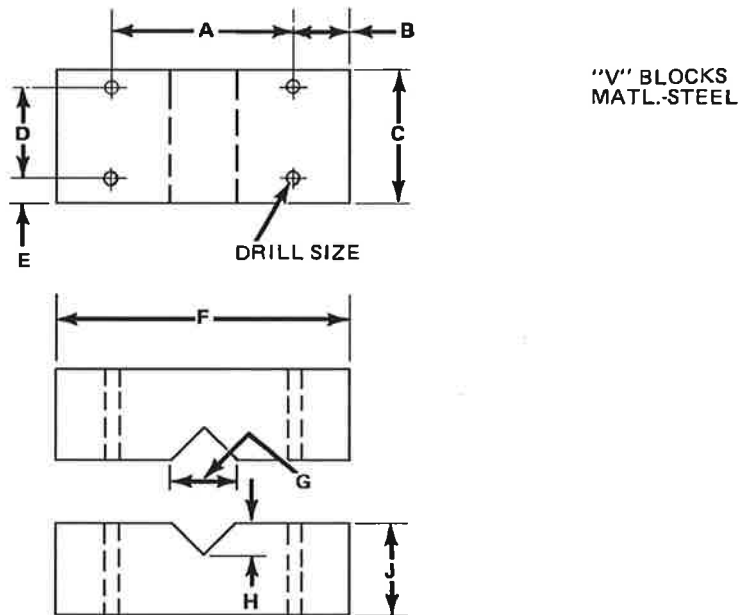
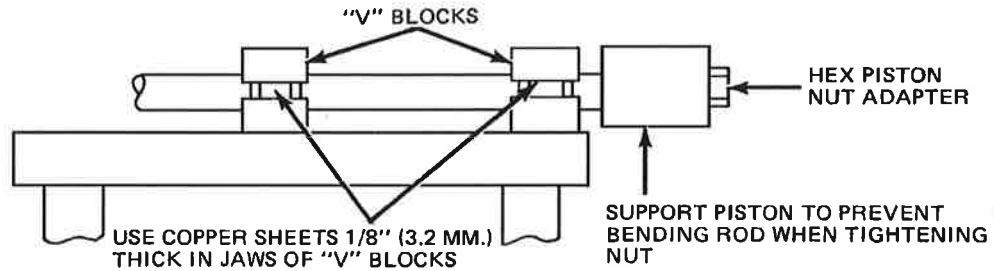
5. Remove the outer head and then unscrew the piston rod from the crosshead using a strap wrench or piston removal tool (Figure 4-10).
6. Pull the piston and rod assembly through the outer end of the cylinder. Be careful to support the piston until the rod is clear to prevent bending or scratching it. Mark the assembly so that it can be installed in the same cylinder.
7. If the packing cup and gland assemblies are removed from the cylinder at this time, be sure the parts are marked or tagged to facilitate proper reassembly.
8. Set the piston and rod in a safe place and protect the finished surfaces from damage. If the piston and rod are not integral, and if the piston is to be separated from the piston rod, refer to piston & rod disassembly and reassembly steps.

#### **A. Piston and Rod Disassembly**

1. Install the piston rod assembly in a clamping fixture as shown in Figure 4-13 or a similar device that will keep the piston rod from turning while loosening and/or tightening the piston rod nut. Use a soft bearing material next to the rod surface to prevent scoring or scratching.
2. Remove the piston nut locking setscrew. Remove the piston rod nut using the wrench adapter provided. If available, a suitable size impact wrench is ideal for loosening the nut. If necessary to sledge or use a cheater on the wrench, support the piston to prevent bending of the piston rod.
3. Remove the piston from the rod.

#### **B. Piston and Rod Assembly**

1. To assemble a piston and rod, install the rod in a clamping fixture as shown in Figure 4-13.
2. Inspect the mating surfaces of the piston rod collar, piston faces and piston rod nut for dirt, burrs and general condition. Clean up the parts as required.



DIMENSION TABLE (INCHES)										DRILL
ROD SIZE	A	B	C	D	E	F	G	H	J	SIZE
UP TO 2-1/4"	3-1/2	1-3/4	6	4	1	7	2-1/8	5/8	2-1/2	3/4
2-1/4" & LARGER	8	2-1/2	6	4	1	13	5-1/2	1-3/4	4	1-1/8

DIMENSION TABLE (CENTIMETERS)										DRILL
ROD SIZE	A	B	C	D	E	F	G	H	J	SIZE
UP TO 5.7 cm	8.9	4.5	15.2	10.2	2.5	17.8	5.4	1.6	6.4	1.9
5.7 cm & LARGER	20.3	6.4	15.2	10.2	2.5	33.0	14.0	4.5	10.2	2.9

Figure 4-13. Suggested Piston Rod Clamping Fixture

## Maintenance

---

3. Place the collar on the rod and check the mating surfaces between the rod shoulder and collar by "blueing" to assure that at least 75% bearing contact is made. Repeat for collar contact on piston. Check that the mating area is uniform completely around the circumference and across the mating face. Lap the faces, if necessary, using a valve grinding compound. Remove all traces of compound using soap and water.

### SERVICE NOTE

With step cylinders, both an inboard and outboard piston and piston spacer as well as piston collars and nut must be blued to 75% contact in the appropriate order.

4. Check the mating surface between the piston nut and the piston for adequate contact as in Step 3. If the bearing area is insufficient, check the squareness of the nut face with the nut threads. Scrape or lap faces, if necessary, using valve grinding compound until adequate bearing area is obtained. Remove all traces of compound using soap and water.
5. Coat the piston rod and piston nut threads with a suitable anti-galling compound, such as **Felpro C-100** (distributed by Felpro, Inc., Skokie, IL 60776) or **Jet Lube #20** (distributed by Marlon Supply Co., 5016 Edgewood Rd., Crystal Lake, IL 60014). Apply a thin film on the face of the piston nut and piston. Tighten the nut to 150 ft. lb. (203 NAM) to ensure adequate metal-to-metal contact.
6. Scribe a line (A) through the centerline of the rod and extend it out onto the piston as shown in Figure 4-14.
7. Refer to Table 4-2 to determine the number of degrees the nut must be turned with relation to the piston rod. *The use of torque is strongly discouraged because of the variations obtained with small changes in lubrication and surface condition of the mating parts.*
8. Measure from the original scribe line (A) the number of degrees that the piston nut must be turned. Prick punch point (B) on the piston and scribe a line through this point (B) and the centerline of the piston rod.
9. Install the piston nut adapter. Mark the adapter (or socket, if an impact wrench is used) adjacent to the first scribe line (A) as in Figure 4-14.
10. Tighten the piston nut until the mark on the adapter (or socket) coincides with the second scribe line (B).

### SERVICE NOTE

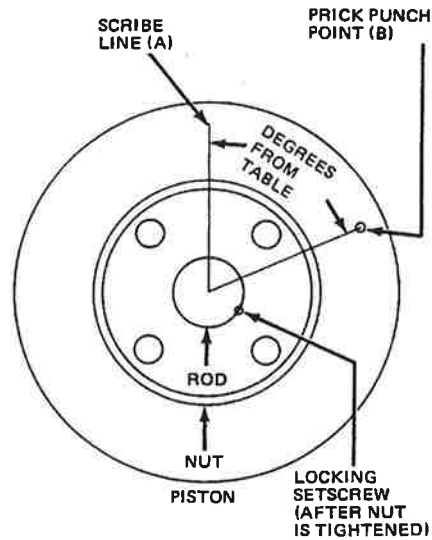
With the wrench socket on the adapter, it will be impossible to see the scribe mark on the piston nut. It is essential that the scribe marks between the piston rod and nut line up. It is therefore recommended that the scribe mark on the socket be turned slightly beyond the second scribe mark on the piston, as the piston may rotate slightly on the rod due to friction.

11. If a new piston, piston rod or piston nut is being installed, tighten the assembly at least twice to the full pre-stress as described in Steps 6 through 10. Then, loosen the assembly again and repeat Steps 18 through 23 (for at least the third time) to secure the piston on the rod.

**NOTE**

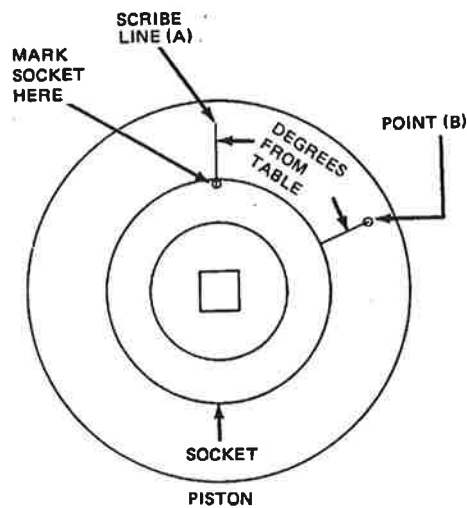
It is anticipated that the piston will go beyond the original scribe mark; therefore, it is imperative to re-scribe each time the nut is tightened.

12. After completing the piston nut tightening procedure, drill and tap the piston rod and nut for the locking setscrew. (Facing the end of the piston, half of the tapped hole should be in the piston rod and half in the nut.)



SEE TABLE 4-2 FOR TIGHTENING ANGLE

TP-1826



TP-1827

**Figure 4-14. Marking Piston Nut and Adapter or Socket**

**Table 4-2. Piston Nut Tightening Angles for Standard Cylinders**

Tightening Angle	Cylinder Size	Configuration
40°	9.5", 10.5", 11.5" & 13"	Two Valves per Corner Cast Iron Piston
45°	6.0" Lined, 7.0" & 8.0"	One Valve per Corner Slant Design
45°	All 15", 17.5" & 20.5"	Cast Aluminum Pistons Smaller Sizes
50°	All 23" & 26"	Cast Aluminum Pistons Larger Sizes
60°	4.75", 5.0" Lined & 6.0"	Cast Iron Billet
70°	6.0" F.S.	Forged Steel Billet
120°	Step Pistons	Step (Tandem) Cylinder

Note: Table 4-2 covers both water-cooled and gas-cooled designs.

13. Lock the piston nut to the rod using the setscrew.

### NOTE

Some piston tightening angles are found printed on the piston parts lists. If there is a discrepancy between this chart and any such figure, use the figure on the parts list.

This completes the assembly of the compressor piston and rod. Install the piston and rod into the cylinder as outlined in the following steps.

## 4-10. INSTALLING PISTON ROD AND ADJUSTING END CLEARANCE

When adjusting piston end clearance, it is desirable to have more clearance at the outer end than at the frame end. This is because expansion from operating heat tends to increase the frame end clearance and decrease the outer end clearance. For this reason, when setting piston end clearance, the outer end is usually given about 50% more lineal clearance than the frame end. Specific end clearances are shown on the cylinder nameplate. Standard HOS cylinder clearance is as follows:

***Frame End = 0.042-0.062 inch (1.06-1.57 mm)***

***Outer End = 0.084-0.124 inch (2.13-3.15 mm)***



### **▲ WARNING**

**Before barring the unit over, the operator must ensure that the driver will not start - either by grounding the ignition and closing the fuel gas valve on engine driven units - or by ensuring that the power cannot be turned on with electric motor driven units. Failure to heed this WARNING can result in a fatal accident if the unit rolls over unexpectedly.**

The piston end clearance, after having been correctly set at the time of installation, should rarely require adjustment. It should, however, be checked occasionally as follows: To measure the end clearance, first remove the cylinder indicator plugs for each end. When the machine is cold, find the exact clearance by barring over the compressor until the piston is at the innermost end of its stroke. Using feeler gauges, measure the distance between the face of the piston and the inboard cylinder head. Note this measurement and then bar the compressor 180° to bring the piston to the outermost end of its stroke. Again using feeler gauges, measure the clearance between the face of the piston and the outboard cylinder head. Note any difference in the clearances and then screw the piston rod in or out of the crosshead to make the clearance about 50% more at the outer end than at the frame end.

If it is necessary to change the clearance at either end, loosen the locknut on the piston rod at the crosshead. Turn the piston rod in or out of the crosshead as required. Each quarter turn of the rod changes the end clearance by 0.031 inch (0.79 mm). After proper clearance in the cylinder is established, tighten the crosshead locknut on the piston rod, as described later in the following steps.

1. Place an entering sleeve onto the end of the piston rod to protect the packing. Coat piston rod and sleeve with oil, then push the piston assembly into the cylinder.
2. Remove the entering sleeve.

### **▲ CAUTION**

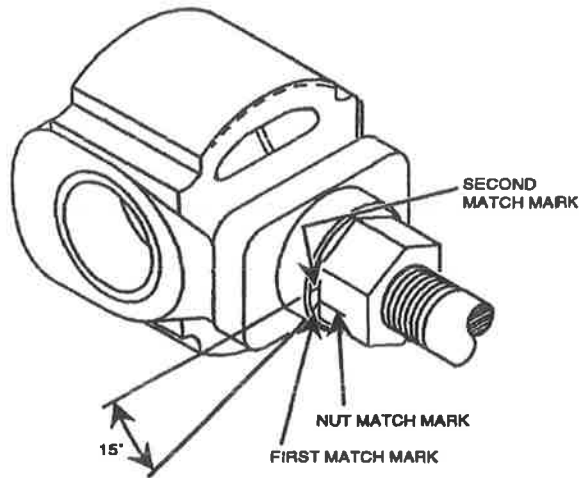
**Never use a pipe wrench on the piston rod. Take every precaution to avoid scratching or nicking the piston rod surface. Even a slight nick in the rod can ruin the packing rings.**

3. Install jam nut on the piston rod and balance weights (if required) making sure the machined surface will contact the crosshead.
4. Screw the piston rod into the crosshead until the required piston frame end clearance is obtained. (Refer to the instructions above for a discussion of the piston end clearance.) A strap wrench or a piston installation/removal tool ( see Figure 4-10) should be used to screw the piston rod into the crosshead. Snug the piston rod locknut against the crosshead, but do not tighten it at this time. Check to see that there is some clearance between the piston rod and the connecting rod in the crosshead.
5. Check the seating surfaces between the crosshead and lock nut by "blueing" to ensure that at least 80% seating contact is made. Check that seating area is uniform completely around the circumference and across the seating face. If the seating is insufficient, check the squareness of the nut face with the nut threads. Scrape or lap the faces, if necessary, using a grinding compound until adequate seating area is obtained. Remove all traces of compound using soap and water.

## Maintenance

---

6. Tighten the crosshead lock nut as follows:
  - A. The crosshead should be blocked between the crosshead and frame extension to prevent twisting the crosshead and/or connecting rod during tightening. A wooden block may be used.
  - B. Coat the rod and nut threads with a suitable anti-galling compound or extreme pressure lubricant. Apply a thin film on the seating faces of the nut and crosshead. Tighten the nut to approximately 150-ft. lb. (203 N m) to ensure good metal-to-metal contact.
  - C. Refer to Figure 4-15. Match mark a flat on the nut with the face of the crosshead using a punch, scribe, or other suitable instrument. To mark the proper nut-tightening angle, measure clockwise 15 degrees from the first mark using a protractor and make a second mark on the crosshead face.
  - D. Tighten the lock nut until the first mark (on the nut flat) is aligned with the second mark (on the crosshead face).



**Figure 4-15. Marking Crosshead and Crosshead Lock Nut Tightening Angle**

7. Check the rod runout and adjust as required in Paragraph 4-8.9.
8. Install the outer head assembly onto the cylinder and tighten to the specified torque. Check the piston end clearance at each end of the stroke as described in instructions above.

### 4-11. INSPECTION / MAINTENANCE OF CYLINDER BORES

1. Place the cylinder in a clean work area and wipe the bore with clean rags. It may be necessary to use a safety solvent to remove some deposits.

#### **⚠ WARNING**

All precautionary measures specified by the Occupational Safety and Health Act of 1970 (OSHA) must be complied with when storing, handling, or using solvents.

2. Shine a light down the cylinder bore and visually inspect for scratches, gouges and nicks.
3. Using an internal micrometer, measure each bore at its frame end, center portion and outer end at the limits of piston travel, taking measurements 90° apart. Comparing the measurements will give figures for taper (end-to-end in the same bore position) and out-of-round (same bore position but 90° apart) for each bore. Maximum allowable taper is 0.0005 inch (0.013 mm) per inch (25 mm) of stroke. Maximum allowable out-of-round is 0.0005 inch (0.013 mm) per inch (25 mm) of bore diameter for TFE or thermoplastic rings.
4. A bore not worn to the limits (above) may be cleaned up using a glaze breaker or a rigid portable hone and new piston rings may be fitted. See "Honing", later in this section, for a procedure.

**NOTE**

Generally, standard rings may be used in cylinders worn up to the limits shown in Table 4-3. For cylinders with bore diameters greater than specified, oversize piston rings should be used. The bore must be round. Oversize rings are not the cure for an out-of-round or tapered bore condition. When ordering oversize rings, furnish Dresser-Rand with the cylinder bore measurements. Rings ordered through Dresser-Rand will be tagged, indicating the proper side and end gap clearances. Use Table 4-3, as a guide to determine what the maximum bore should be before oversize piston rings are required.

**Table 4-3. Cylinder Reconditioning Data**

Original Cylinder Size (Inches)	Maximum Bore Diameter Increase (Inches) Allowed
Nominal Bore Diameter	Before Oversize Rings Required
4.75	0.015
6.000	0.018
7.000	0.021
8.000	0.024
9.500	0.029
10.500	0.032
11.500	0.035
13.000	0.039
15.000 – 26.500	0.048

NOTE: Inch-to-millimeter conversion-multiply inches by 25.4 to obtain millimeters.

**A. Honing**

In all cases where a bore is being field reconditioned, it is important to achieve a surface finish at least as good as the factory finish to ensure adequate ring seating and longevity. Hone the cylinder bore to restore surface finish. Bores should be at least 32 RMS Ra (0.8 um). Honing will polish scratches and remove burrs, and will often restore a cylinder bore after minor scuffing. This can be achieved using a glaze breaker or hone, finishing with extra fine hone stones. A crosshatch pattern can be used if desired. ALWAYS WASH GRIT FROM HONING OUT OF THE BORE USING SOAP AND HOT WATER

### NOTE

The major difference between a glaze breaker and a cylinder hone is that the glaze breaker will follow the contour of the cylinder. If the bore is out-of-round, the glaze breaker will only clean it up; it will not "true up" the bore. The hone, on the other hand, will true up a slightly out-of-round or tapered cylinder bore, although it too tends to follow the existing bore contour.

### 4-12. NON-METALLIC COMBINATION PISTON & RIDER RINGS

These segmented, non-metallic combination piston/rider rings function as both piston and rider rings. They are used as a standard on all HOS cylinders except the 26- and 26.5-inch (660 and 673 mm), which uses glass - molydisulphide-filled Teflon® piston rings with band-type riders made of the same material.

The combination piston and rider rings will hold the piston away from the cylinder bore during operation, thus preventing piston-to-cylinder bore contact and the resultant scoring and wear. To promote long ring life, cylinder bore surface finish is to be maintained at 32 Ra (0.8 micrometer).

Standard size rings may be used in oversized cylinder bores up to 0.003 inch (0.08 mm) for each inch (25.4 mm) of bore diameter up to and including 0.045 inch (1.14 mm) maximum oversize. For cylinders with bore diameters greater than specified for nominal bore size, oversized piston rings should be used. Remember that the bore must be round. Oversize rings will not correct or compensate for out-of-round or tapered bore conditions.

#### 4-12.1. Handling Instructions

These piston rings are fragile (when compared to metallic parts) and can be easily damaged by careless handling. Always use care during storage, handling, installation and removal.

During long shutdowns (over six months), the pistons and rods should be removed from the compressor; coat the piston and rod assembly with a rust preventative that meets Military Specification MIL-C-16173 latest revision. The rings are to be removed from the piston and stored flat. No special covering or rust preventative is required. Do not lay the piston and rod assembly down with rings installed.

#### 4-12.2. Establishing Ring Wear Rate

The combination piston/rider rings may wear more rapidly than other rings because of the functions they are designed to perform. (These are sealing of the cylinder bore, and the prevention of piston to cylinder bore contact.) Operating and maintenance personnel must take this factor into consideration when scheduling inspections and normal part replacement.

As wear occurs, piston rod runout will eventually exceed allowable limits. If oversized rings are installed in an oversized bore the ring wear factor is more critical because the rod drop will be increased by one-half the total oversize. For example, if the bore is 0.026 inch oversize (0.66 mm) the rod will drop an additional 0.013 inch (0.33 mm) before the bottom clearance or ring radial thickness indicates replacement is required. Therefore, the operator must keep in mind that the rings must be replaced when their original radial thickness is reduced by one-half of the original (new radial) thickness. Also, note the clearance between the piston rod and packing housing. DO NOT allow these items to come into contact with each other

Because of the many variables involved, it is impossible to accurately predict the rate of wear. (Some of the variables are pressure, temperature, lubrication or lack thereof, piston weight, gas type, gas wetness, gas cleanliness and cylinder bore finish.)

**▲ CAUTION**

To prevent scoring of the cylinder bore, piston or the piston rod, the amount of ring wear (clearance between the piston and cylinder bore) must be checked on a regular basis. This action will tell the operator if wear is excessive, allowing replacement before damage is done.

The importance of frequently checking ring wear rate cannot be over-emphasized. The rate of wear must be determined so that a replacement schedule can be established. Measurement of the piston to cylinder bore clearance ("A", Figure 4-16) should be taken at intervals of 10, 100, 250, 500 and 1000 hours. Record these numbers for future reference, or plot a simple wear versus time curve that will indicate both the rate of wear and the approximate number of hours running time before the combination rings need to be replaced.

**NOTE**

When plotted, the wear rate curve will usually show a relatively rapid rate of wear during the first few hours of operation. As the rings wear, the curve should flatten out.

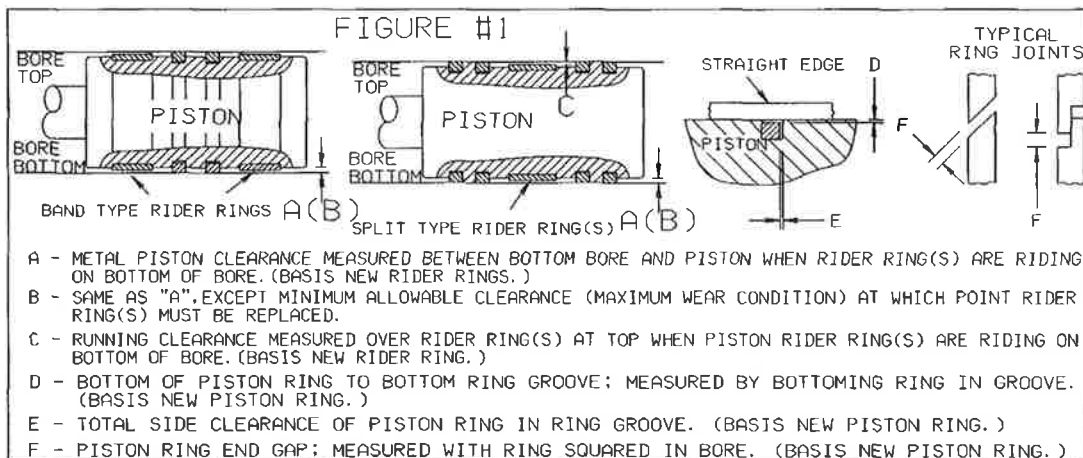


Figure 4-16. Points for Checking Clearance  
(See Table 4-4 For Dimensions)

**4-12.3. Replacing Rings**

Rings are replaced when the bottom piston to cylinder bore clearance ("B" Figure 4-16) has been reduced to the minimum allowable clearance or if the original radial thickness of the rings has been reduced by one-half.

**▲ WARNING**

Never measure piston-to-cylinder bore clearance through a valve opening; always remove the outer head. Refer to the appropriate instructions to remove and install the outer head. Failure to comply with this warning may result in severe personal injury caused by compressor roll.

## Maintenance

### 4-12.4. Installing Rings

The rings must be assembled in the piston grooves as the piston is slid into the cylinder bore. These rings will extend beyond the piston's outside diameter when installed. After the piston is installed, measure the bottom clearance between the piston and cylinder bore (see "A" Figure 4-16). This is the point of reference from which the amount of wear will be determined.

**Table 4-4. Piston and Ring Clearance for Standard HOS Cylinders**

Nominal Cylinder Size (Inches)	G/C <sup>1</sup>	W/C <sup>2</sup>	Piston Mat'l.	Groove Width (In.) +0.001 -0.000	"C" Running Clear.(In.) Top-New Rings	"E" Side Clear.(In.) Between Ring & Groove	Total <sup>3</sup> Ring End Gap New Parts (In.)
4.75		X	CI	0.500	0.029/0.040	0.009/0.013	0.033/0.053
6.00	X	X	CI	0.500	0.012/0.026	0.009/0.013	0.042/0.062
7.00	X	X	CI	0.625	0.014/0.028	0.011/0.015	0.049/0.069
8.00	X	X	CI	0.500	0.017/0.031	0.009/0.013	0.056/0.080
9.50	X	X	CI	0.625	0.020/0.034	0.011/0.015	0.067/0.095
10.50	X	X	CI	0.625	0.021/0.035	0.011/0.015	0.074/0.105
11.50	X	X	CI	0.625	0.023/0.037	0.011/0.015	0.081/0.115
13.00	X	X	CI	0.500	0.026/0.040	0.009/0.013	0.091/0.130
15.00	X	X	AL	0.623	0.041/0.056	0.007/0.011	0.105/0.150
17.50		X	AL	0.623	0.050/0.065	0.007/0.011	0.123/0.175
20.50		X	AL	0.623	0.057/0.072	0.007/0.011	0.144/0.205
23.00		X	AL	0.623	0.065/0.080	0.007/0.011	0.161/0.230
26.00		X	AL	0.623	0.070/0.085	0.007/0.011	0.182/0.260
26.50		X	AL	0.623	0.071/0.086	0.007/0.011	0.186/0.265

**NOTES FOR TABLE:**

<sup>1</sup> = Gas cooled

<sup>2</sup> = Water cooled

<sup>3</sup> = For TFE rings, end gaps are as follows:

Min = .017 x Nominal Bore

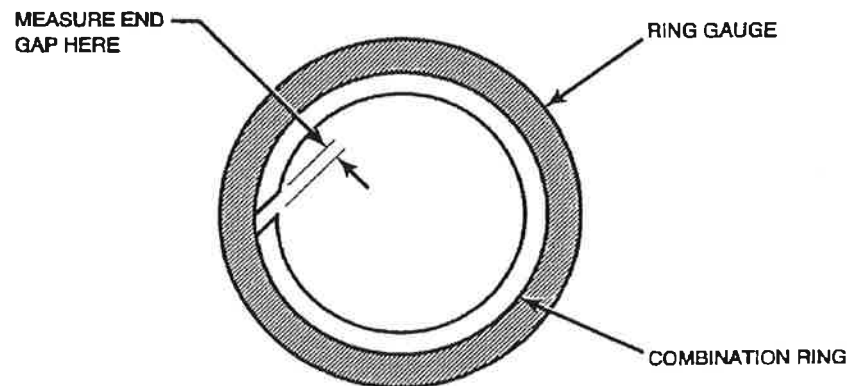
Max = .020 x Nominal Bore

Multiply clearance dimension by 25.4 to obtain (soft converted) metric dimension.

- CI = Cast Iron; AL = Aluminum
- Metric groove width tolerance is +0.025/-0.000 mm.  
(A 0.500" width is 12.7 mm; a 0.625" width is 15.88 mm.)
- Dimensions Refer to Figure 4-15. All dimensions are for new parts.

**To install the rings, follow these steps. Clearances are listed in Table 4-4.**

1. Check the ring part number against the parts list to ensure the correct parts are being installed.
2. Manufacture a ring gauge that has the same nominal inside diameter as the cylinder bore. Insert the rings, measure and record total ring end gap clearance; see Figure 4-17.
3. Measure radial thickness of the rings. Record this dimension for future reference.
4. Be sure the piston ring grooves are clean and smooth.
5. Install the packing entering sleeve on the piston rod.
6. Push the piston into the cylinder until the innermost groove is just outside the cylinder.



**Figure 4-17. Taking End Gap Clearance**

7. Make, from thin shim stock, a tool to hold the ring segments in the piston grooves.
8. Place the ring segments into the piston grooves and take side clearance as shown in "E" Figure 4-16; record these clearances.
9. LIFT the piston slightly and push it into the cylinder until the cylinder bore holds the ring segments in place. Remove the shim stock.
10. Measure the clearance between the ring and cylinder bore at "C" Figure 4-16. Repeat Steps 8 and 9 until all rings have been installed.
11. After all rings are in place, push the piston all the way into the cylinder; remove the entering sleeve and connect the piston rod to the crosshead and install the outer head following the appropriate instructions.

### 4-12.5. Breaking-in Combination Rings

Full pressures normally can be applied to the rings when they are initially placed in service. However, on new or overhauled units, consideration of the break-in requirements of the compressor "running gear" must also be considered. Always watch operating temperatures for indications of overheating, especially during break-in. Refer to CHAPTER 3, OPERATION AND TROUBLESHOOTING. If possible (pump-to-point systems only) set the cylinder lubricator feed rate to provide maximum delivery during the break-in period. At the end of the break-in period, the feed rate can be reduced to normal.

### 4-13. PISTON ROD PRESSURE PACKING

Generally, all piston rods are packed with floating type packing (see Figure 4- 18). There is no adjustment or take-up for this type of packing. Tighten the flange stud nuts evenly and squarely to obtain even crushing of the gasket at the bottom of the stuffer; this will prevent cocking of the packing cups and ensure their being perpendicular with respect to the piston rod.

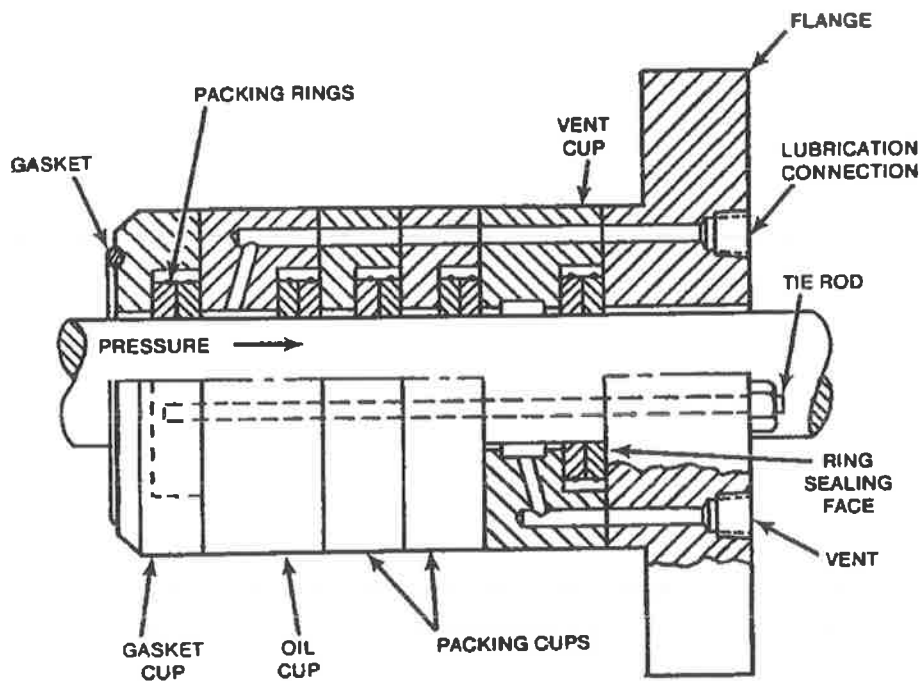


Figure 4-18. Piston Rod Pressure Packing Typical Construction

#### 4-13.1. Packing Rings

The packing rings are the most important part of the packing. They seal the pressure, take the normal wear and must be serviced and lubricated. When sludge and carbon from poor or incorrect lubricating oil have fouled them, they must be cleaned. When the rings (except backup rings) have worn so that no end clearance exists between the segments, the rings should be replaced. The rings are the working parts in any packing set and it is they that require the most attention. Usually these rings have a long life, but it is a good policy to have a set of replacement rings on hand to meet emergencies. Replacement rings may be ordered in sets, without ordering the flange or cups.



Packing ring material and type of packing is supplied to suit each application. While it is possible that special, non-standard packing may be encountered in the field, Dresser-Rand currently supplies only three basic types of packing, based on the pressure application. These are as follows:

### **Type I. 1750 PSI (12 Mpa) Packing**

*This type packing is used on 4.75-inch, 6.00-inch, 7.00-inch and 8.00-inch water-cooled cylinders and on 6.00-inch, 7.00-inch and 8.00-inch gas-cooled cylinders.*

- 1- Zero end gap, cast-iron pressure breaker (P-ring)
- 4- Sealing single-acting rings, glass - graphite-filled TFE with metallic back-up ring
- 1- Flange end double-acting packing ring, glass - graphite-filled TFE.

### **Type II. 1150 PSI (7.9 Mpa) Packing**

*This type packing is used on 9.50-inch and 10.50-inch water-cooled and gas-cooled cylinders. No P-ring is used.*

- 4- Sealing single-acting rings, glass - graphite-filled TFE with metallic back-up ring
- 1- Flange end double-acting packing ring, glass - graphite-filled TFE

### **Type III. 775 PSI (5.3 Mpa) Packing**

*This type packing is used on 11.50-inch, 13.00-inch, 15.00-inch, 17.50-inch, 20.50-inch, 23.00-inch and 26.00/26.50-inch water-cooled cylinders and on 11.50-inch, 13.00-inch and 15.00-inch gas-cooled cylinders. No P-ring is used.*

- 3- Sealing single-acting rings, glass - graphite-filled TFE with metallic back-up ring
- 1- Flange end double-acting packing ring, glass - graphite-filled TFE

The TFE ring joints are cut tangent to a diameter slightly smaller than the rod size. These joint surfaces seal, so they must be in good condition. On some rings, the pressure side will have radial notches. These notches must face toward the pressure when installed. The metallic backup ring is designed to remove heat from the rod and prevent extrusion of the TFE rings. The backup ring has radial joints, which butt, when the ring is assembled on the rod, leaving the ring slightly larger than the rod. No end clearance should exist at the joints, which would permit the ring to pressure-load the rod. The joints must be smooth and butt squarely to prevent leakage.

The outside edges only of any pair of rings should have approximately 1/16-inch (1.6 mm) radius and are normally furnished this way. Do not radius the mating (inside) edges of any pair of rings. The faces of the rings are usually lettered or numbered on each segment of each ring for easy identification and assembly. These identification letters or numbers must face toward the pressure. The depth of the cup in each packing flange and the axial width of each packing ring or ring pair should be measured using depth and outside micrometers, or a straightedge and feelers.

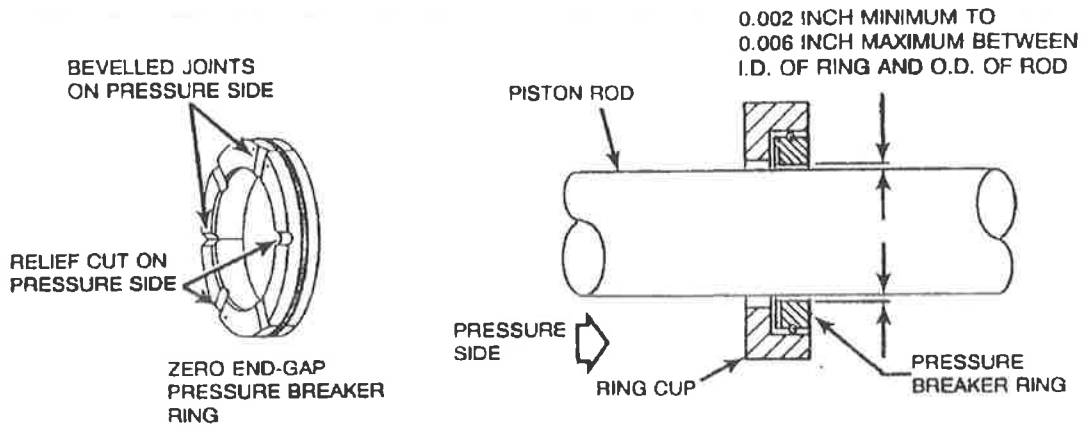


Figure 4-19. Zero End Gap Pressure Breaker

The pressure breaker, Figure 4-19, is installed in the first packing cup that faces the pressure. Its purpose is to slow down, or "break", the effects of gas pressure without totally sealing. The type pressure breaker used is "zero end gap" type design which has zero gap at the joints and a 0.002-0.006 inch (0.05-0.15 mm) clearance on diameter over the rod. This ring has pressure relief cuts in the face that is towards the pressure. It is important that this newer design is not confused with the old-type pressure breaker that had a significant end gap at the ring joints.

Both single acting (Figure 4-20) and double acting (Figure 4-21) rings are free to float (move axially and vertically with the piston rod) in their respective cups.

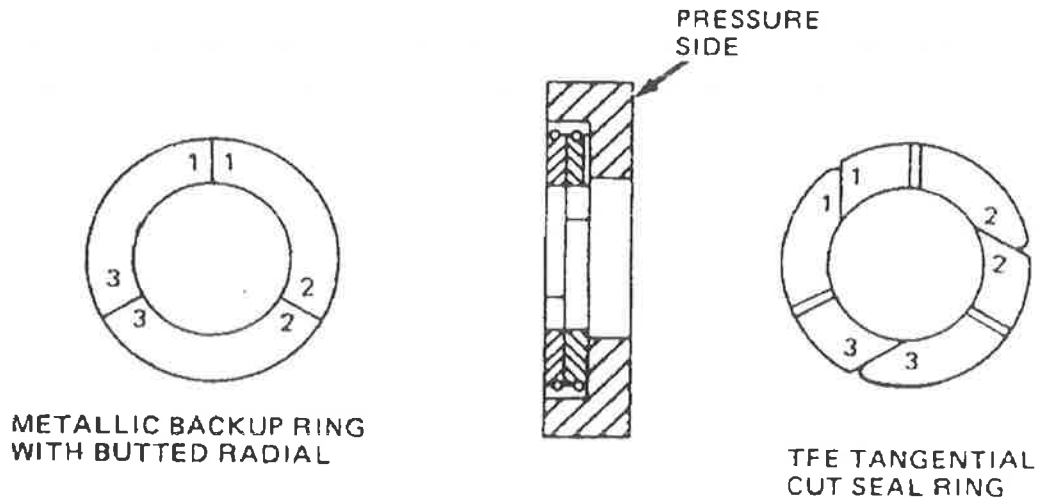
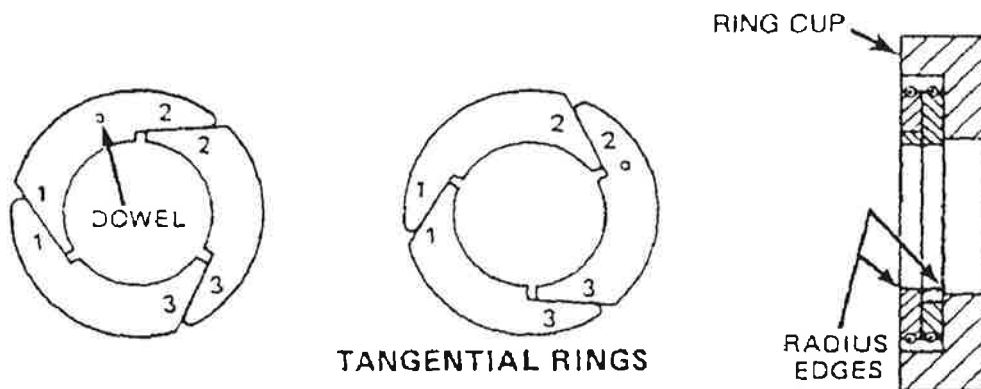


Figure 4-20. Single-Acting TFE Ring with Metallic Back-Up



**DOUBLE ACTING RINGS - ONE PAIR OF RINGS CONSISTS OF TWO TANGENTIAL CUT RINGS (WITH SPRINGS).**

Figure 4-21. Double-Acting Sealing Rings, Tangentially Cut

Clearance should be as listed in Table 4-4. *If the measured clearance is outside of the limits shown, refer the problem to the Dresser-Rand Gas Field Compressors Customer Service Group Tulsa, OK before remachining either packing rings or flange cups.*

Table 4-4. Packing Clearances

Ring Material	Axial Clearance Cast-Iron Cups Inch (mm)	Axial Clearance Steel Cups Inch (mm)	Maximum Radial Clearance Inch (mm)
Filled TFE	0.011 - 0.015 (0.28 - 0.38)	0.020 - 0.024 (0.51 - 0.61)	0.060 (1.5)

**NOTE**

The total radial clearance for the metallic back-up rings used with 16A11 single-acting sealing rings should be 0.010-inch (0.25 mm) maximum without regard to piston rod diameter.

**4-13.2. Packing Gasket**

Next in importance to the packing rings is the end gasket. Keep gasket surfaces clean and dry. No matter how perfectly the packing rings seal around the rod, if the end gasket leaks, the pressure forces the gas to bypass the rings by leaking around the case into the area between the case and the bore and then to the atmosphere. The packing flange stud nuts must be tightened evenly to ensure a proper seal of the gasket at the front end of the packing and to ensure closure of the ground joints on the packing. The packing rings have been given sufficient side clearance so that normal tightening will not pinch the rings in their grooves.

## Maintenance

---

After a short period of operation, soft gaskets should be retightened to take up any additional deformation caused by the working pressure on the packing.

Spare gaskets should be carried in stock and a new gasket installed each time a packing is disassembled. This prevents forced shutdowns due to leaks occurring after the cylinder is pressurized.

### 4-13.3. Packing Cases

The cases are made up of cup-like sections. The joints are ground or lapped. Each contacting surface must be cleaned of dirt and lint and inspected for scratches and burrs before assembling. The mating surfaces must occasionally be lapped to maintain a tight seal. To do this, lap the cup to a surface plate after making sure that the surface plate is in good condition. On packing assemblies that are designed for internal water cooling, small O-rings are used between the cups. See the instructions, which follow concerning proper installation of these seal rings.

### 4-13.4. Installing the Packing

The packing should not be installed until the unit is ready to start, since the rings may corrode the piston rod where they rest on it. The cup sections are held together by tie rods which are screwed into tapped holes in the nose piece (end cup) of the packing, and are held on the outer end by nuts on the face of the flange. Become acquainted with the construction of the packing you are about to install. Learn how it will go into the cylinder, and know the proper location of each cup and ring set. Note the location of vent cups, oil cups and cooling water cups and gaskets, if used. Pay particular attention to the rings located in each cup and know how they are assembled and which side faces the pressure. Before any packing is taken apart, it is recommended that each cup and the flange be stamped in numerical sequence so they can be reassembled in their original positions.

1. If the compressor piston and rod have previously been installed in the cylinder, remove the locking dowel (if so fitted), disconnect the piston rod from the crosshead and move the crosshead away from the rod. If the oil scraper packing was previously installed, disassemble and remove the scraper rings as described in instructions, which follow.

### **⚠ WARNING**

**All precautionary measures specified by the Occupational Safety and Health Act of 1970 (OSHA) must be complied with when storing, handling, or using solvents.**

2. After marking the outside of the packing cups (on a non-critical surface) in numerical sequence as discussed previously, disassemble the packing cups and rings; be careful not to lose any gaskets, ring segments or garter springs. Lay the packing components on a clean surface in the order removed. Clean all parts with a safety solvent. Be sure that there is no dirt, chips or other foreign matter in the oil or vent passages that can be carried into the packing during operation or obstruct the flow of oil into the packing.
3. Thoroughly clean the piston rod and packing cavity in the frame end of the cylinder. Make certain that the piston rod is not scratched, nicked or otherwise marred where it will operate in the packing.

4. On older cylinders where an external packing cooling sleeve is used, the sleeve should be removed, inspected and flushed out whenever the packing is being serviced. The sleeve is removed as follows:
  - A. Remove the packing following the reverse of the installation procedure.
  - B. Disconnect the cooling water piping and remove the two clamps which attach the sleeve to the cylinder.
  - C. The sleeve can now be removed and inspected.
  - D. Flush the sleeve with clean water for several minutes. Dry the sleeve and replace it into the cylinder.
  - E. Reconnect the cooling water piping and turn on the cooling water. Check for leaks.
5. The packing cups should be disassembled and the rings taken apart when the packing is installed (this also applies when the packing is being removed or when it is necessary to pull the piston rod). It is not a recommended practice to attempt to slide the packing rings over the end of the piston rod, unless an entering sleeve is used, because the rod threads can nick or otherwise damage the rings.
6. New packings come assembled with the correct type of rings in their proper grooves and in proper relation to one another. All rings must be reassembled in their original positions or they will not function correctly. Refer to the previous instructions in Paragraph 4-13.
7. Slide the end cup (or nose cone) over the end of the piston rod and assemble its packing ring(s) over the rod by first fastening the garter spring around the rod and then inserting the ring segments, one at a time, under the spring. Be sure the rings are assembled exactly in their original positions with all segments in correct relation to each other and with the correct side facing the pressure. Be sure dowels and dowel holes are lined up between ring pairs; then, lubricate the rings generously with oil and slide them into their cups.
8. Continue with each packing cup and ring arrangement in sequence, sliding the cups together over the tie rods. Slide the flange into position and tighten the tie rod nuts. Be certain all of the cups are evenly centered around the piston rod.

### NOTE

For packings having O-rings between the cups, as is the case with water-cooled packing assemblies, be sure that the O-rings are correctly located in their grooves before tightening the tie rod nuts. A thin coating of grease on the O-rings aids in keeping them in the grooves prior to tightening the assembly.

As the O-rings can be easily damaged, it is a good practice to carry sufficient spare sets and to replace them each time the packing is dismantled.

9. Make certain the gasket on the end cup is in good condition and clean; then, oil the rod (if lubricated packing is being used) and slide the packing assembly into place in the frame end of the cylinder. Center the packing with respect to the piston rod and then assemble and tighten the packing flange stud nuts evenly to assure the end gasket is evenly compressed. If this gasket is not properly seated, leakage can occur around the end cup.

10. Recheck the gap between the piston rod and packing flange at several points around the circumference of the rod; the possibility of the rod dropping slightly because of piston ring wear must be given due consideration.

### CAUTION

**Should the rod contact the packing flange or cups during operation, damage to the rod is almost certain to result.**

11. The packing rings are free to float in their cups (assuming they have proper side clearance) regardless of stud tightening forces and the packing cups are designed to transmit uniform stud pressure through the joints without deflection. Like any gasketed joints, the packing stud nuts must be periodically tightened.
12. Install the oil scraper rings per Paragraph 4-14 and connect the piston rod at the crosshead per Paragraph 4-10.
13. When the machine is started, oil the packing rings and piston rod generously until the rings wear in. The packing may leak slightly while creating a satisfactory fit with the rod; however, the packing should not blow oil profusely during break-in. Should severe leakage (blowing) occur, the compressor must be immediately shut down and the packing dismantled to determine the cause. Abnormal leakage can also be caused by dirt or chips cutting the rings, an improper grade (or too much) lubricating oil in the sump, or inadequate side clearance of the rings in their cups.

#### 4-13.5. Packing Operation and Maintenance

After installing a new packing or set of renewal rings, start the compressor up with no load in the same manner as breaking in a new unit. Feed two or three times the usual amount of oil to the packing while it is wearing in. The oil that works out along the rod, or through the packing vent, should be checked frequently. If the oil remains clear, it is a good indication that the packing is wearing in properly. During break-in of higher pressure packings (over 1000 PSIG or 6900 kPa), the oil normally will become darker and show some wear particles; however, the oil should not become black. Should the oil become black (indicating premature wear), or should blow-by be excessive, the cause may be a too-rapid increase in the load or pressure on the packing. Often, by reducing the load slightly and running for a short time, the oil will clear up to the point where the load can be increased again.

Because there are many variables (such as temperature, pressure, type of lubricant, material, gases being handled, etc.), there are no hard and fast rules for allowable rate of increase in pressure while breaking in a new packing. With filled Teflon® packing rings, the break-in time is normally much shorter than with metallic rings. Often, the break-in time with this ring material is a matter of minutes, and the load may be increased rapidly. Watch piston rod and packing temperatures carefully to avoid excessive heat buildup in the packing during rapid break-in.

During operation, the packing leakage may become progressively worse over a period of time. This indicates the packing is faulty and it should be inspected as soon as possible. Operation of the unit with excessive packing leakage will result in abnormal wear of the packing rings or piston rods.

#### 4-13.6. Inspecting the Packing

Periodically, the packing should be removed for cleaning and inspection. In cleaning packing rings, wire edges may be found around the bore of the rings if considerable wear has occurred. Remove these wire edges with a file. However, do not break corners where any two surfaces of a packing ring match. In removing

the packing for cleaning, take care to avoid damage to the gasket or any surfaces that make pressure tight joints. Do not use a chisel or sharp instrument to open any joint (between packing cups) and do not disturb the bore of the rings except to remove the wire edges. Wash the springs clean of carbon and sludge. If they have lost their tension, replace them. Observe the clearance between the ends of the segments of the wearing rings. As long as some clearance is present, the rings may be used. However, when the rings have worn to the point where the ends butt, they should be replaced.

### 4-13.7. Replacing the Packing

In replacing the piston rod packing, take care to tighten the flange nuts evenly, while checking with feelers in the space between the rod and the packing flange. Make sure the clearance is equal all the way around the rod. Make sure the rod packing flange does not touch the piston rod, as the rod and the packing can be seriously damaged. When ordering parts or inquiring for additional information regarding packing, give the serial number stamped on the end of the case, along with the cylinder size and serial number.

## 4-14. PISTON ROD OIL SCRAPER RINGS

A stuffer is bolted to the frame end of the cylinder yoke; it contains a set of oil scraper rings, with flange, and prevents frame oil from being carried out of the frame along the piston rod. The rings also reduce the possibility of cylinder gases or cylinder lubricating oil entering the frame and possibly contaminating the frame lubricating oil.

Current stuffer and oil scraper ring arrangements are illustrated in Figure 4-22. Some distance pieces are equipped with a set of double-acting (Type BD) seal rings located in the gland closest to the cylinder. For those applications requiring a purged distance piece (2) standard sets of (3) 3RWS rings are used. This helps to seal the distance piece.

### CAUTION

**Metallic oil scraper rings must be disassembled and the rings taken apart when they are being removed or installed. Do not attempt to slide the rings over the end of the piston rod because the threads can nick the rings and permanently damage them.**

Before starting for the first time, wipe out the stuffers and clean the piston rods. Take care to keep a smooth bearing on the rod, as nicks or dents in the rings or scores on the rod will prevent a tight seal.

Oil scraper rings normally require little attention except for periodic cleaning, as determined by the operating conditions. Inspect the rings for wear by checking the end clearance after slipping the rings over a mandrel the same diameter as the piston rod. When the rings have worn sufficiently to butt the ends, it is best to replace them.

Renewal oil scraper rings are furnished in sets. The ring segments are usually numbered and adjacent segments must match. With the current design shown in Figure 4-22, the radially cut grooves on the scraper rings should face the cylinder and the flat faces of the rings should face the crosshead. The packing rings can face either direction.

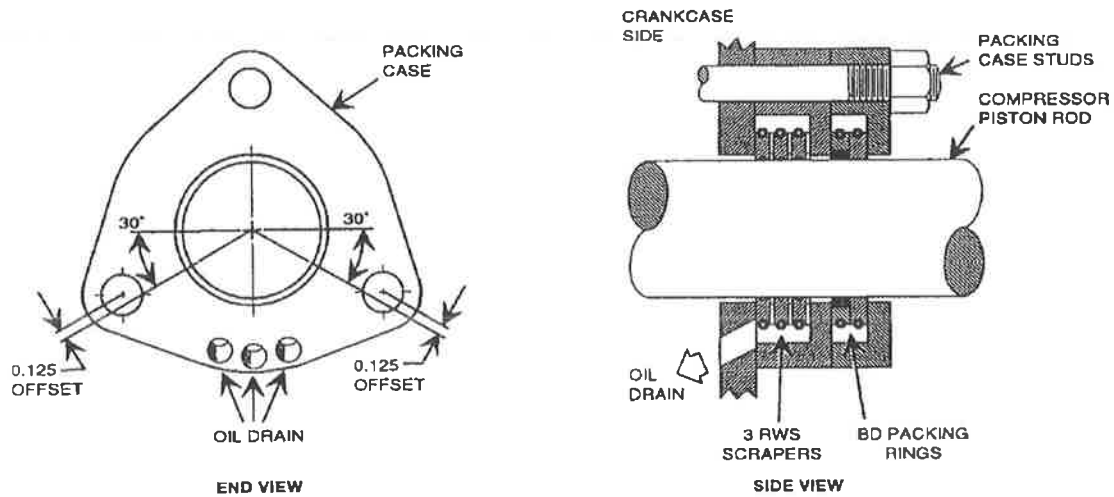


Figure 4-22. Piston Rod Oil Scraper Packing

Use the following steps to install replacement oil scraper rings in the unit:

1. Unscrew the piston rod from the crosshead, back the crosshead away from the rod and remove the stuffer from the yoke.

### ⚠ WARNING

All precautionary measures specified by the Occupational Safety and Health Act of 1970 (OSHA) must be complied with when storing, handling, or using solvents.

2. Disassemble the rings and lay the parts on a clean surface. Note the identification marking on each segment of each ring. Clean the parts thoroughly with a safety solvent.
3. Make certain that the piston rod is clean and free of nicks or burrs; if found, these should be carefully removed with a file and the rod polished using a fine emery cloth.
4. Clean the stuffer thoroughly and install it in the yoke. Be sure a gasket is placed between the stuffer and yoke mounting surfaces. Bolt the stuffer securely in place.
5. Place the ring flange on the piston rod and then assemble the oil scraper rings over the rod; the flat sides of the rings face the crosshead. First fasten the garter springs around the rod, then place the ring segments under the springs, making sure to match the segments according to the letters or numbers stamped on them.
6. Move the flange into position over the rings. The flange is designed to provide 0.002 to 0.004 inch (0.05 to 0.10 mm) total end clearance for the scraper rings. Check this clearance before securing the flange. If the clearance is insufficient for the rings to "float" on the rod, they will not function properly. Make sure the drain holes in the flange are at the bottom, then attach the flange to the stuffer; tighten the flange capscrews evenly. Check to be sure the flange is centered around the



piston rod; avoid any possibility of the rod touching the flange or stuffer as the rod, flange and rings may be damaged if this happens.

7. Liberally oil the scraper rings before starting the compressor when new rings have been installed. The oil from within the frame will then keep the rings lubricated during normal operation and subsequent starts.

### ⚠ WARNING

**Before barring the unit over, the operator must ensure that the driver will not start—either by grounding the ignition and closing the fuel gas valve on engine driven units—or by ensuring that the power cannot be turned on with electric motor driven units. Failure to heed this WARNING can result in a fatal accident if the unit rolls over unexpectedly.**

### SERVICE NOTE

When the compressor is shut down for a long period and the piston rod packing and the oil scraper rings are not removed, bar over the compressor once every 24 hours to distribute any oil held in the packing and to prevent localized corrosion of the rods.

#### 4-15. BALANCE CYLINDER (If Used)

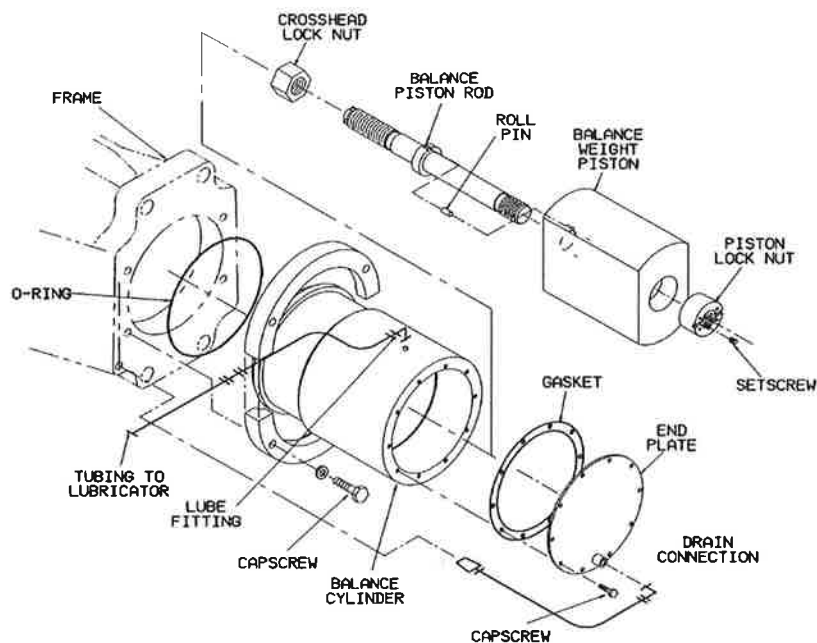


Figure 4-23. Balance Cylinder

A balance cylinder (Figure 4-23) is supplied on those compressors where less than a full complement of cylinders is required (for example, a four-throw unit using only three cylinders). The balance cylinder mounts directly on the frame extension and utilizes a piston rod and balance piston that are similar to a conventional compressor piston and rod for disassembly and assembly purposes.

To remove the balance cylinder, disconnect lube supply and drain piping. Take out the capscrews that hold the end cover in place, then remove the cover to expose the cylinder bore. Unscrew the balance piston rod from the crosshead and pull the piston and rod out through the bore. Take off the cylinder to frame stud nuts and remove the cylinder. Replacement of the balance cylinder is the reverse of the removal steps.

### 4-16. COMPRESSOR VALVES

The "PF" valve, a high speed plate valve of Dresser-Rand design, is used as the standard valve in HOS cylinders. These instructions cover only the PF valve; if other valves are used, supplemental instructions must be consulted. The valve is furnished in two styles; one style has a metal valve plate with two damping plates that is assembled as shown in Figures 4-24 and 4-25. The other style has a plastic valve plate with one damping plate as shown in Figures 4-26 and 4-27. Both valve styles contain a seat, stop plate, damping plate(s), ring guide, damping springs, closing springs and valve plate. The valve is held together by a center stud and nut arrangement. A gasket is used under the stop plate on inlet valves and the valve seat on discharge valves where they seat in the cylinder gas passage, preventing gas leakage past the valve.

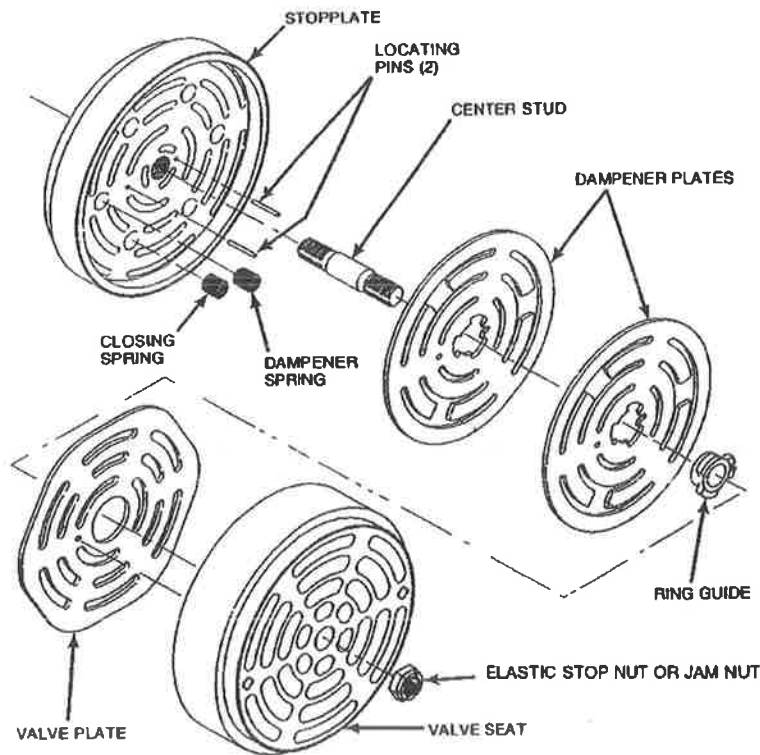


Figure 4-24. Typical "PF" Inlet Valve With Metal Valve Plate

#### 4-16.1. Description of Operation

A compressor valve acts as a check valve in the inlet and discharge passages to the cylinder bore. The inlet valve allows the gas to enter the cylinder on the suction stroke and then closes to prevent back flow of the gas into the inlet gas passage on the discharge stroke. The discharge valve opens to allow gas to leave the cylinder on the discharge stroke and then closes to prevent the gas in the discharge passage from re-entering the cylinder on the suction stroke.

Compressor valves are opened by differential pressure across the valve. The damping and valve plates move off their seat and are guided into the stop plate recess by the guide ring when opening. Damping springs and damping plate(s) prevent slamming of the valve plate against the valve stop plate when the valve opens. As the piston nears the end of its stroke, pressure across the valve starts to equalize. At this point, the springs start to move the damping plate(s) away from stop plate and the valve plate toward the seat. This is done to prevent the parts from slamming against the seat as the piston changes its direction. If slamming were allowed to happen, severe damage would result to the valve. A combination of spring load and differential pressure will hold the inlet valve closed on the discharge stroke and the discharge valve closed on the suction stroke.

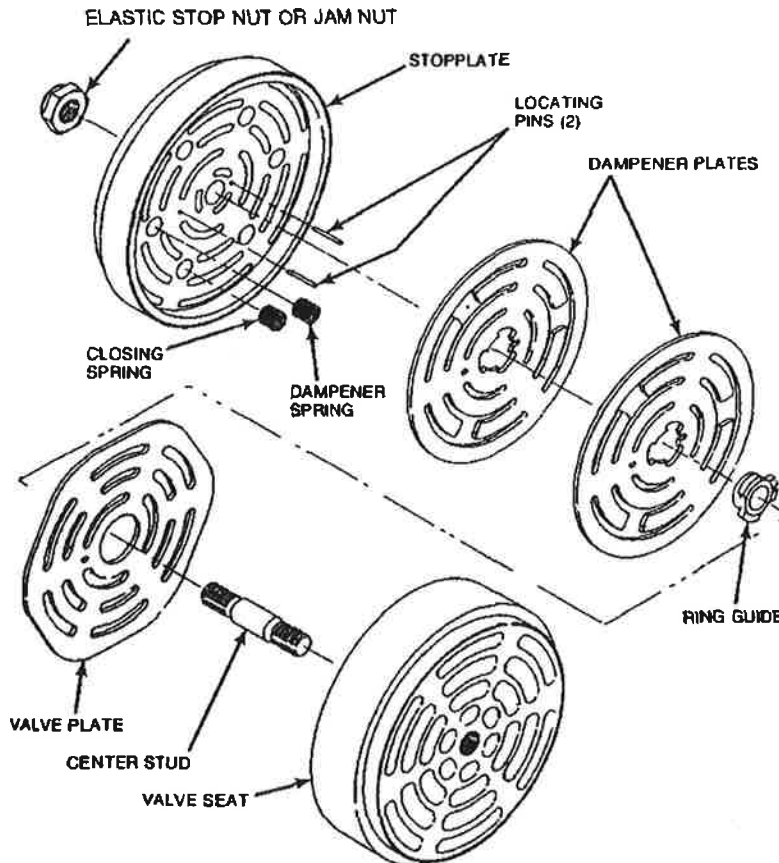


Figure 4-25. Typical "PF" Discharge Valve with Metal Valve Plate

## 4-16.2. Valve Maintenance Recommendations

1. To obtain maximum efficiency from a compressor cylinder, the inlet and discharge valves must be clean and tight. The valves and cylinder gas passages must be periodically examined and thoroughly cleaned wherever dirt is evident. Operating experience will dictate both the length of time between valve inspections and the valve maintenance cycle. At start-up, check the valves during break-in at least once, then one week after start-up, or more frequently if the gas being handled is known to be dirty. If the valves are found to be particularly dirty, locate and eliminate the cause. See item 2 for a suggested MINIMUM maintenance schedule.
2. We recommend the following valve inspection and maintenance schedule as a MINIMUM:
  - Prior to initial start-up and EVERY TIME valve or unloader maintenance is performed.
  - At least ONCE during the break-in period.
  - One week after start-up (including after valve or unloader maintenance or after overhauls).
  - Once a month thereafter for three months.
  - Once every three months thereafter for a full year.
  - Once each year thereafter, or as conditions dictate.
3. The center setscrews used with unloaders, and all other valve fasteners, particularly the stud nuts that secure the valve cover, MUST be properly tightened to the torque values given in this form. DO NOT USE AN IMPACT WRENCH ON VALVE FASTENERS.

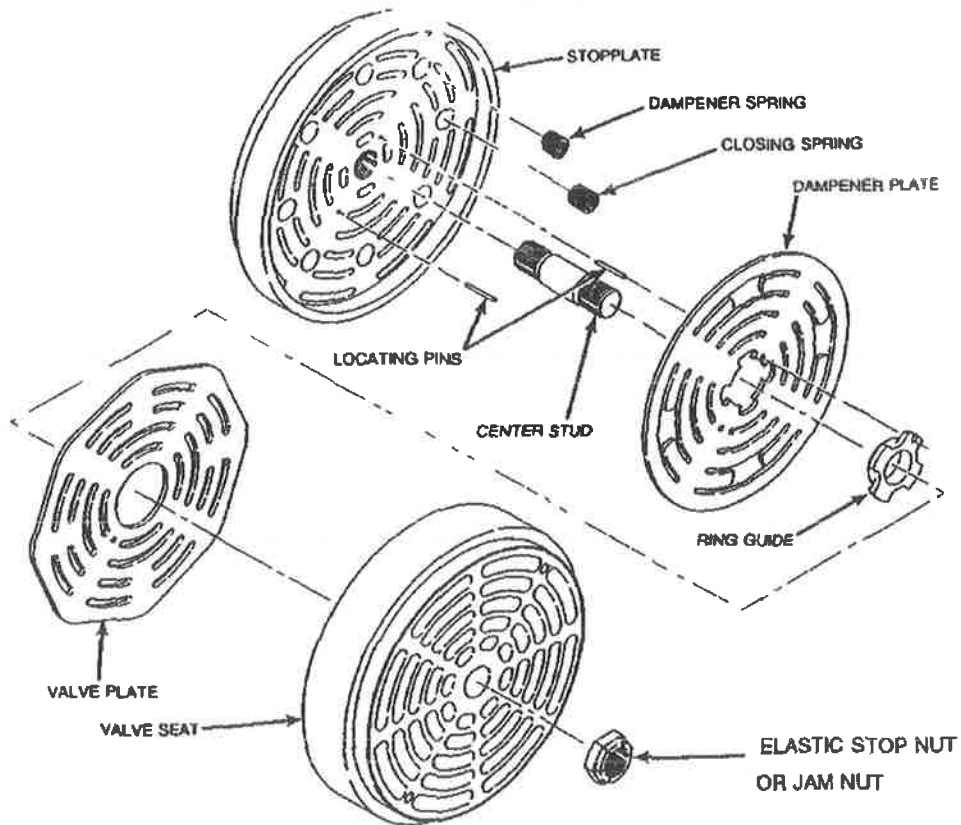


Figure 4-26. Typical "PF" Inlet Valve with Plastic Valve Plate

4. Never attempt to tighten fasteners on a compressor cylinder, including the valve or unloader setscrews, while the compressor is running or with the cylinder pressurized. This practice is extremely hazardous, and can result in a life-threatening accident should a stud or bolt break during the tightening process.
5. Always make sure there is no residual gas pressure in the cylinder bore or passages before removing valve or unloader covers.
6. Venting of hazardous gases must be performed in accordance with established safety practices at the installation site.
7. The importance of keeping accurate valve maintenance records cannot be overemphasized. Record all valve failures, the cylinder and location on that cylinder, the type of damage and any other data that may be helpful in finding a trend.

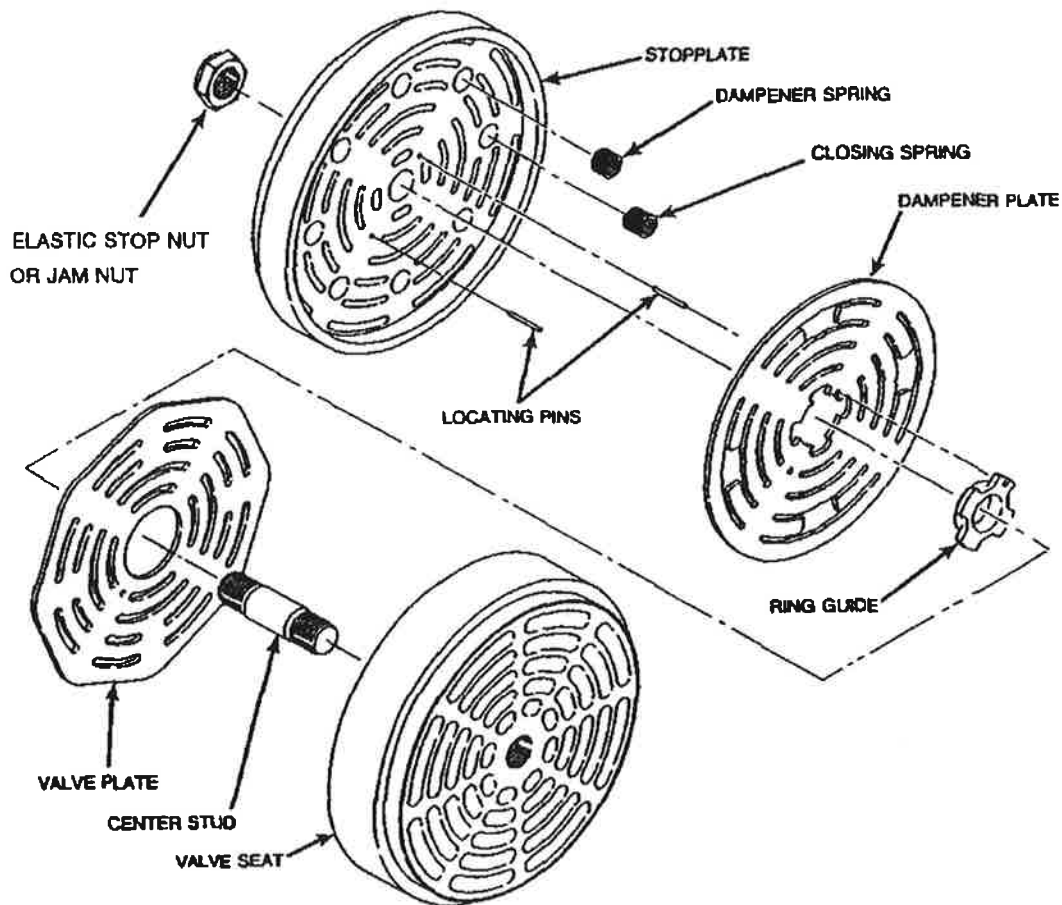


Figure 4-27. Typical "PF" Discharge Valve with Plastic Valve Plate

8. To eliminate dirt found in the compressor valves, a suitable intake filter or scrubber should be installed and properly maintained. Experience will dictate the filter or scrubber maintenance cycle.

## Maintenance

---

9. Cylinder lube oil in excess of the amount required to properly lubricate the cylinder bore and valves is detrimental to valve life. The oil feed rate of the cylinder lubricator (with pump-to-point systems) can be reduced to eliminate excess lubrication based on the condition of the cylinder gas passages, valves and cylinder bore. On inspection, the valve should have a greasy appearance, but not have oil droplets showing. Shortened valve life often results from using an oil with improper viscosity or poor quality, or delivery at the improper feed rate. Recommendations for selecting a cylinder lubricating oil are given in CHAPTER 2, LUBRICATION; these recommendations should be reviewed with a reputable oil supplier to determine the best oil for a particular application.
10. All compressor valves should be inspected for leakage (which may result in abnormally high temperatures). In addition, the cylinder cooling water system (if used) should be examined for general cleanliness and obstructions to ensure the proper quantity of coolant at the required temperature is available. Periodic cleaning of the cylinder water passages may be required.
11. Liquids in the gas stream can wash or dilute cylinder bore lubricating oils, causing rapid wear and early failure of the valve (and cylinder) parts. A slug of liquid can cause a failure of the valve channels or plates or, in severe cases, the valve seat. Some "wetness" in the gas stream often can be dealt with by the selection of a suitable lubricating oil. With very wet applications, adequate separators should be located close to the cylinders. Also, it is important that the cylinder inlet piping be arranged without low spots where liquid can accumulate.
12. Mark or tag valves with the following minimum information as they are being removed from the cylinder. This information will be useful when troubleshooting valve problems and will help prevent the intermixing of valve parts, when more than one valve is disassembled.
  - Compressor Serial Number....
  - Cylinder Serial Number....
  - Inlet or Discharge Valve....
  - Cylinder location - Frame or Outer end....
  - Hours of Operation.
13. The reconditioning procedures given in these instructions are valid only when genuine Dresser-Rand parts are used.
14. Carefully check the part number of new parts against those in the parts list.
15. Never change valve lift.
16. The valve seat may be reconditioned following instructions later in this chapter.
17. A new valve plate must be used if the valve seat has been reconditioned.
18. Never turn the valve or damping plate(s) over; always replace them and recondition the seat.
19. When handling assemblies or parts, take care not to contaminate the items.

**⚠ WARNING**

Observe the safety precautions (Paragraph 4-2) before attempting to remove a compressor valve. It is particularly important that **ALL PRESSURE** is released from the cylinder passages and piping before pulling valve covers. **CAREFULLY CRACKING OPEN** drain valves on inlet and discharge manifolds is a good method to determine if any pressure exists in the cylinder bore, cylinder passages and piping; **INJURY TO PERSONNEL CAN OCCUR IF THESE PRECAUTIONS ARE NOT STRICTLY OBSERVED**. Whenever compressor valves are removed, it is extremely important that the inlet and discharge valves be correctly reinstalled in the cylinder. Incorrect assembly can cause an extremely hazardous condition which can result in severe damage to the compressor and **INJURY OR DEATH TO THE OPERATING PERSONNEL**.

**4-16.3. Removing the Valves - O-Ring Valve Cover**

The current standard valve cover design used with HOS cylinders is the O-ring cover design, illustrated in Figure 4-28. **Only the O-ring cover design is covered by these instructions.**

**⚠ WARNING**

With the O-ring body seal used on this type valve cover, any pressure that may be left in the cylinder will not be released when the cover nuts are loosened, but will remain under the cover trapped by the O-ring. To prevent the possibility of the valve cover being "blown off" by residual pressure when the cover nuts are removed, two longer studs are required to permit the safe removal of the cover. These studs are either present (they are double-nutted if factory supplied) or should be fabricated at the site. **FAILURE TO OBSERVE THE FOLLOWING VALVE REMOVAL STEPS CLOSELY CAN RESULT IN POSSIBLE PROPERTY DAMAGE, INJURY TO THE MAINTENANCE PERSONNEL OR DEATH.**

1. Mark or tag the valves and valve holes as the valves are removed to ensure that they are returned to their original locations.
2. Locate the two longer studs; these are diametrically opposed across the valve cover bolt pattern. If such studs are not installed, fabricate two studs and install them (with nuts) 180 degrees apart before removing or loosening any other stud nuts. Evenly loosen the valve cover stud nuts; note that two nuts are used on the two longer factory-installed studs used with each valve cover.
3. Remove only those nuts on the short valve cover studs. At this point, the nuts on the long studs are securing the valve cover.
4. Equally loosen the nuts on the long studs two turns at a time. As the stud nuts are loosened, it may be necessary to tighten down the valve cover jackscrews (if equipped) or to carefully pry under the valve cover to keep the cover in contact with the stud nuts. (This will prevent sudden loosening or blowing off of the valve cover when the O-ring breaks free of the valve passage, caused by any residual pressure.) As the O-ring is pulled free of the valve passage, any residual pressure will be safely vented.

5. Remove the valve cover.

### SERVICE NOTE

A retaining setscrew in the side of the valve cage is used to hold the valve and cage in a valve hole located in the bottom half of the cylinder. However, care still must be exercised when removing the valve cover so that the valve does not fall out should the setscrew not hold.

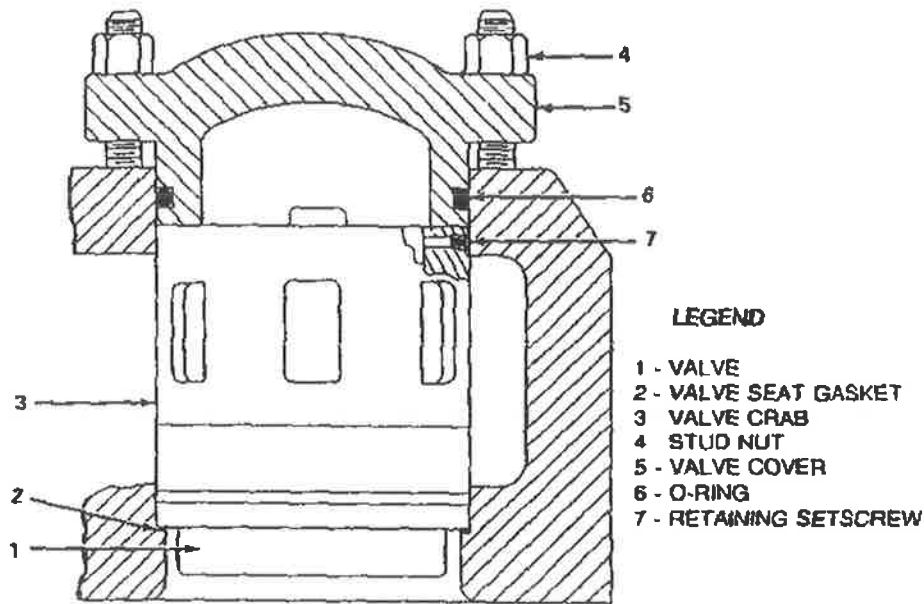


Figure 4-28. O-Ring Seal Type Valve Cover Arrangement

6. Larger valves have two tapped holes in the discharge seat, or inlet stop plate, on the face toward the cylinder bore. To simplify valve removal when the valve is located in the bottom half of the cylinder, first remove the top valve that is located 180 degrees opposite the bottom valve being removed; then, working through the top valve port, (with the compressor piston must be positioned so that it does not interfere with this operation) screw a threaded rod into the tapped hole in the bottom valve. The valve and cage assembly then can be supported from above while the valve cover and valve is removed.
7. Loosen the retaining setscrew from any valve cage so equipped, then remove the valve cage and valve from the cylinder. Remove the valve seat gasket that is located under the valve. This gasket should not be reused; install a new gasket when installing the valve. Most valves are attached to the valve cage with two capscrews or machinescrews to facilitate handling; remove these fasteners to separate.



### SERVICE NOTE

If the compressor valve is stuck in the cylinder, it can be jarred free by striking edgewise on the valve crab with a wood block or soft metal bar (to prevent damage to the cage or valve). Do not use a hammer on the cage.

#### 4-16.4 Disassembling & Servicing the Valve

### ⚠ CAUTION

Care must be taken when disassembling these valves to ensure that the damping and valve plate closing springs do not become mixed. Failure to follow this caution will result in incorrect loading of the various plates, resulting in premature valve failure. Even when the valves are of the same type (inlet or discharge) and of the same size, the components of the various valves must not be mixed. This is because each valve has established its own wear pattern and sealing surface which will not function in another valve. Failure to follow this caution will result in valve leakage and premature valve failure.

1. Place the valve in a valve holder. (Figure 4-29 shows a suggested valve holder.)

### ⚠ CAUTION

If the valve must be held in a vise, do not clamp the valve tightly enough to cause distortion. Distorting the valve will render it useless.

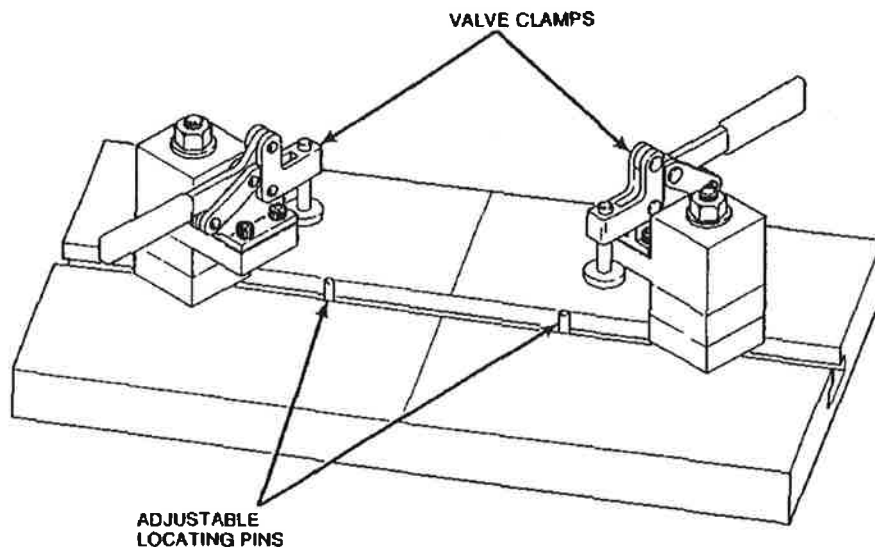


Figure 4-29. Suggested Valve Holder

## Maintenance

---

2. Remove the stud nut that fastens the valve together. DO NOT allow the stop plate to turn in relation to the valve seat; to do so may shear the locating pins.

### NOTE

The closing and damping springs can be of the same height and wire diameter (load), but more often they will be of different height and wire diameter, resulting in different loads.

3. Very carefully, separate the stop plate and valve seat. Note the position of all valve internals; do not allow them to become mixed. Remove the closing springs and place them in a separate location; do the same with the damping springs.

### ⚠ WARNING

**All precautionary measures specified by the Occupational Safety and Health Act of 190 (OSHA) must be complied with when storing, handling or using solvents.**

4. Clean the parts. (Soaking the valve parts overnight in safety solvent followed by a stiff brushing or light scraping will aid in the removal of carbon.) Brush the parts with a soft wire brush to remove deposits, but use a soft bristle brush on all seating surfaces.
5. Rinse the parts in clean solvent; dry thoroughly using clean, dry compressed air.
6. Inspect the valve and damping plate(s) for cracks, nicks, warpage, wear steps, leakage paths and other signs of defects. On the valve plate there will be annular rings worn in by the valve seat, these are normal. [Replace the valve plate if the ring depth is greater than 0.010 inch (0.25 mm) on plastic plates OR 0.005 inch (0.13 mm) for metal plates.] Check the rings for uniformity of contact; any dull or uneven contact is an indication of improper seating. Do not grind or invert valve plates to obtain a new seating surface; replace them.
7. Examine the valve seat for cracks, nicks, burrs, scoring, steps, leakage paths and other signs of defects. The valve plate seating area (rings) on the valve seat should be very bright and evenly polished. Check the rings for uniformity of contact; any dull or uneven contact is an indication of improper seating.
8. Valve seats can be machined to correct for wear or minor defects to the seating surfaces. Refacing operations are described in later instructions. Excessively worn or damaged seats must be replaced.

### ⚠ CAUTION

**When rebuilding a valve, always renew the seating surfaces. That is, provide a new valve plate when a new or reconditioned valve seat is used. Likewise, when a new valve plate is used a new or refaced valve seat must be provided. Failure to follow this caution will result in leakage and early valve failure.**

9. Check valve springs for cracks, pits or set (set is determined by measuring free height of a used spring against a new one). Also, check for weakness by comparing the used spring against a new one with the same part number.
10. Examine the stop plate for wear and damage.

#### 4-16.5. Refacing Valve Seats

Valve seats which have become worn or damaged can be refaced provided that certain dimensional limits are not exceeded; these limits are given in subsequent instructions.

On discharge valves, the center stud is screwed into the valve seat. Around the center stud shank, there is a recess in the seat (see Figure 4-30) which is approximately 0.080 inch (2 mm) larger in diameter than the shank diameter. This recess permits machining of the valve seat without removing the center stud. In some machining methods, it may be necessary to remove the center stud.

1. To remove the center stud, heat the valve to between 500° and 600°F (260° to 352°C); remove the stud while hot.
2. Using Loctite® "Chisel Gasket Remover", spray the residue left by the previously used Loctite® and wipe it off.

*A valve seat can be machined as indicated below without affecting the valve's performance (see Figure 4-30):*

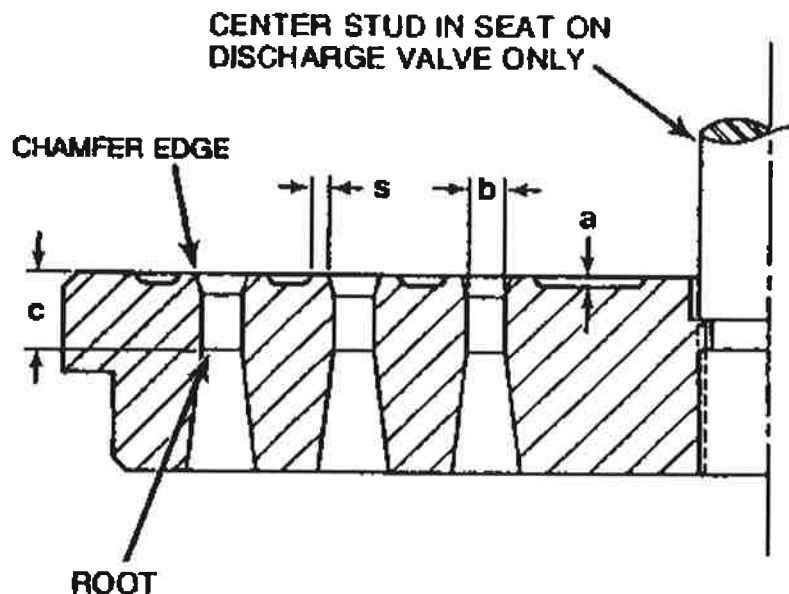


Figure 4-30. Valve Seat Rework Dimensions

TP-4265-A

## Maintenance

If the valve's outside diameter is less than 3 inches (76 mm), the seat rib root depth (c) of the innermost port cannot be less than 0.100 inch (2.54 mm). For valves with an outside diameter larger than 3 inches (76 mm), the rib root depth of the innermost port cannot be less than 0.188 inch (4.78 mm).

### ▲ CAUTION

**The rib root depth (c) of the valve seat must not be machined to maintain the minimum depth. Do not increase diameter of ports (b). Machining the rib will weaken the valve seat. Also, be certain that any facing extends over the entire seating surface.**

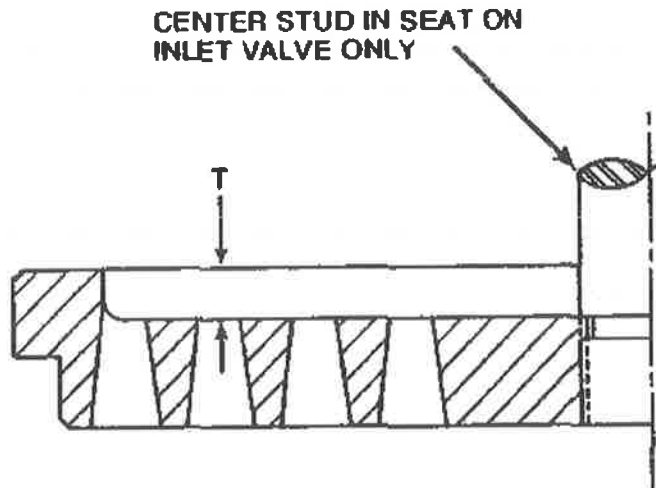
When facing the valve seat, the land width (s) is to be maintained at 0.025 to 0.050 inch (0.63 to 1.2 mm). If the land width exceeds this value, the mud grooves between ports (b) must be machined to obtain the original land width. In addition, the depth of the mud grooves (a) should be maintained at 0.031 inch (0.79 mm) and a full radius must be maintained where the mud groove meets the land. Moreover, a 0.005 to 0.015 inch (0.13 to 0.39 mm) chamfer edge must be maintained on each land.

#### 4-16.6. Reconditioning the Stop plate

Machining of the stop plate is usually not required during valve overhaul. If an inspection reveals minor damage to the stop plate, the defective part can be machined provided that certain dimensional limits are not exceeded; these limits are given in subsequent instructions.

### SERVICE NOTE

On suction valves, the center stud is screwed into the stop plate. In order to machine the counterbore, it may be necessary to remove the center stud.



TP-4266

Figure 4-31. Stop Plate Rework Dimensions

1. To remove the center stud heat the valve to between 500° and 600°F (260° to 352°C); remove the stud while hot.
2. Using Loctite® "Chisel Gasket Remover" spray the residue left by the previously used Loctite® and wipe it off.
3. If the locating pins are damaged, pull them out. If the locating pins cannot be pulled out, cut them off and drill out the remainder of the pin. Since the locating pins are held in by an interference fit, care must be taken not to drill the pin hole larger than its original diameter.

The stop plate can be reconditioned provided that the counterbore depth (T) is maintained (see Figure 4-31). If the counterbore depth is not maintained, the valve lift will be altered. The counterbore depth is equal to the guide ring height + 0.002 inch / - 0.000 inch (+0.05,-0.0 mm). Furthermore, spring hole depth must be maintained at original depth "0.010 inch ("0.26 mm), and the maximum removal from the stop plate is 0.031 inch (0.79 mm).

### 4-16.7. Assembling the Valve

#### SERVICE NOTE

When installing the center stud in the stop plate or seat, screw the stud in only until it is flush with back side of the stop plate or seat. Furthermore, some center studs have a tapped hole or a longer threaded section on one side. This side of the center stud does not screw into the seat or stop plate.

1. If the center stud was removed, apply a light coat of Loctite® primer "T" to the threaded area. Apply a few drops of Loctite® #272 (item 27240) threadlocker and screw the stud into the valve seat or stop plate.
2. If removed, reinstall the locating pins.
3. Place the stop plate on a clean, flat surface with the locating pins up.
4. Place the valve springs into the spring holes in the stop plate. Ensure the springs are inserted into the same holes from which they were removed. (The damping springs must contact the damping plate(s) and the closing springs must contact the valve plate.) If new springs are being installed, refer to the parts list for identification.
5. Reinstall the damping plate(s). If the used plate(s) are being installed, ensure that they are the plate(s) removed from that valve. In valves with a metal valve plate, the damping plate with the smaller diameter is placed next to the stop plate.
6. Install the valve plate. If the used plate is being reinstalled, ensure that its seating surface matches the valve seat.
7. Insert the ring guide, with its nose down.
8. Fit the valve seat to the stop plate; orient the locating pins with the holes in the valve seat. Clean the internal threads of the nut and external threads of the center bolt, then apply anaerobic adhesive primer to the threads and allow it to dry for 5 minutes. Apply Loctite® #242 threadlocker (two drops only) to the external threads and install the nut finger tight. On discharge valves, it is necessary to carefully turn the valve over and install the nut.

### SERVICE NOTE

Some valves utilize a self-locking nut. It is not necessary to use Loctite® with this type nut.

9. Place the valve in a holding fixture. A typical fixture is shown in Figure 4-29.

### CAUTION

**When tightening the center stud nut in Step 10, DO NOT allow the stop plate to rotate with relation to the valve seat. If this is allowed to happen, it may shear the locating pins.**

10. Torque the center stud nut to 25,000 PSI (172 Mpa) pre-stress, following the tightening instructions in CHAPTER 5, GENERAL DATA & SPECIFICATIONS.
11. Check for free movement of the valve plate by pushing on it with a piece of plastic or wood that will not scratch the valve plate.
12. Examine the valve seating surface in the cylinder. If it is marred, proceed as in Paragraph 4-16.8, Steps 1-A and 1-B.

#### 4-16.8. Installing the Valves - O-Ring Valve Cover

When removing an inlet valve from a location where an unloading device is being used in conjunction with the valve as a means of capacity regulation, refer to the applicable unloader instructions before removing the valve.

### WARNING

**Whenever compressor valves are removed, it is extremely important that the inlet and discharge valves be correctly installed in the cylinder. Incorrect placement of the inlet and discharge valves in some cylinders which have no provision for polarization can cause an extremely hazardous condition. INSTALLING AN INLET VALVE IN A DISCHARGE VALVE HOLE, OR INSTALLING A DISCHARGE VALVE UPSIDE DOWN, CAN CAUSE A LIFE-THREATENING EXPLOSION. The type "PF" valve is always placed in the cylinder with the valve center bolt and nut located AWAY from the cylinder bore. Fasten the valve or unloader cage to the valve, when possible, to ensure the valve is not reversed at installation. IF IN DOUBT as to whether a valve is inlet or discharge or as to which cylinder holes receive an inlet or discharge valve, CHECK WITH YOUR SUPERVISOR.**

1. Prior to installing the valve, check to see that the seating surfaces on the valve assembly, valve cover and in the cylinder valve hole are smooth and clean. If any evidence of defective seating surfaces is found, use the following steps to ensure proper valve installation:

- A. Place lapping compound on the gasket seating surface of the valve and place the valve in the valve hole without using the seat gasket. Lap the valve and valve hole gasket surfaces to obtain at least 95% contact area, as evidenced by bluing or an equivalent method.
  - B. Remove the valve and clean both it and cylinder valve hole thoroughly with soap and water to remove all traces of the lapping compound. Solvent will not remove the lapping compound no matter how clean the surface appears to the eye.
2. Install a new valve seat gasket, then install the valve and cage in the cylinder valve hole. This task is made easier if these parts are fastened together with machinescrews and lockwashers before installation. Be certain the valve seats firmly on the ledge in the cylinder and rests squarely on the valve seat gasket.

### SERVICE NOTE

Valves and cages must be returned to the same valve holes from which they were removed. The threaded rod used to facilitate handling large valves, as described previously in the valve removal procedure, also may be used to assist in valve and cage installation.

3. On the bottom half of the cylinder, the valve and cage assembly is held in the valve hole by a retainer, normally a setscrew through the side of the valve cage on this valve design. Install the setscrew with an Allen wrench to hold the valve and cage in place until the valve cover can be installed.
4. Place a new O-ring in the valve cover body groove. A light coat of a silicone lubricant or other lubricant compatible with the O-ring material and process applied on the O-ring will facilitate its entry into the cylinder valve hole.

### **▲WARNING**

**Torquing of the valve cover stud nuts is critical. Under torquing will result in loss of sealing capacity between the valve seat gasket and the valve seat and the possible loosening of the valve cover during operation with attendant process gas release. Over torquing will result in excessive stresses and loads being imparted to the valve, valve cage and cylinder seating ledge. It is imperative that when using the "Tightening Requirements" instructions in CHAPTER 5, GENERAL DATA & SPECIFICATIONS, the proper prestress column in the chart is selected as follows: find the maximum allowable working pressure (MAWP) as stamped on the cylinder nameplate and compare the pressure to those listed to obtain the correct pre-stress for the fastener. Go to the column headers in the torque table; then move down the column to the correct fastener size to obtain the torque.**

5. Place the valve cover over the valve hole. Watch the cover O-ring as it enters the valve hole to be sure it is not rolled out of its groove. Install the stud nuts.

### **⚠ WARNING**

**Never tighten the valve cover stud nuts while the compressor is in operation or pressure exists within the cylinder. A life-threatening release of gas or explosion can occur if a stud breaks during the tightening operation.**

6. Tighten the valve cover stud nuts alternately across the bolt circle to ensure that the cover is drawn down squarely. We require that this tightening progress in stages rather than to the full torque on the initial tightening. The required torques are listed in the in CHAPTER 5, GENERAL DATA & SPECIFICATIONS.
7. After all of the valves are installed, bar the compressor through at least one complete revolution to be certain there is no interference between moving parts.
8. The compressor now may be started in the normal manner.
9. After the cylinder has reached operating temperature and pressure, shut down the compressor and relieve all pressure in the cylinders. Check the tightness of the valve cover stud nuts. Torque the valve cover stud nuts as described previously.

### **⚠ WARNING**

**Use extreme caution when checking the valve covers. The discharge valve cover can experience temperatures in excess of 250°F (121°C). Touching a valve cover with an unprotected hand can cause severe burns. We recommend the use of a contact thermometer for checking temperature and a stethoscope for checking noises.**

10. At regular and frequent intervals (as established by operating experience) check the valve covers for looseness by using a stethoscope on the valve cover to listen for pounding or knocking of the valve cage against the cover while the compressor is operating. Any pounding or knocking indicates that the valve is loose. A loose valve may break apart and drop into the cylinder bore, causing serious damage to the compressor.

## **4-17. REGULATION DEVICES**

Regulation devices can be of two basic types: the inlet valve unloader or the clearance pocket (either fixed volume or variable volume). Instructions for both basic types of device follow. ***These instructions cover the basic, current type regulation devices.*** Some design differences are to be expected due to operating requirements and these variants will undoubtedly be encountered in the field from time to time. Refer any questions regarding unloaders or clearance pockets to your nearest Dresser-Rand service representative.

### **⚠ WARNING**

**Regulation devices when activated or adjusted affect the performance of the compressor. Unloading sequences not initially approved or reviewed can lead to overloads, non-reversal, overheating, and/or valve reliability problems. Consult with a Dresser-Rand representative if such unloading sequences have not been approved.**



An **unloader** is used on a compressor cylinder inlet valve to render the valve inoperative as a way of unloading the cylinder for starting, or to control capacity of the compressor during operation. A typical inlet valve unloader, mounted on the standard O-ring cover, is shown in Figure 4-32. Some later unloaders have the plunger attached directly to the push rod and no return spring is used.

This unloader is "direct acting"; that is, operating pressure is applied to the top of the actuating piston to unload the end of the cylinder containing an unloader. (Reverse-acting unloaders also are available from Dresser-Rand.) In its normal position (when there is no operating pressure applied to the top of the actuating piston) the piston spring located under the actuating piston forces the piston and piston rod upwards; the plunger return spring moves the plunger assembly away from the valve plates. With pressure applied to the top of the actuating piston, the piston spring and plunger return spring are compressed allowing the plunger legs to hold the valve plates away from the valve seat. With the inlet valve being held open by the unloader, the gas admitted to the compressor cylinder on the suction stroke passes freely back through the open inlet valve on the discharge stroke without being compressed. An indicator is fitted to the underside of the actuating piston. When the unloader is actuated (cylinder end unloaded) the pin will protrude from the clearance hole in the lower housing cover. When the unloader is in its normal position (cylinder end loaded) the indicator pin is retracted.

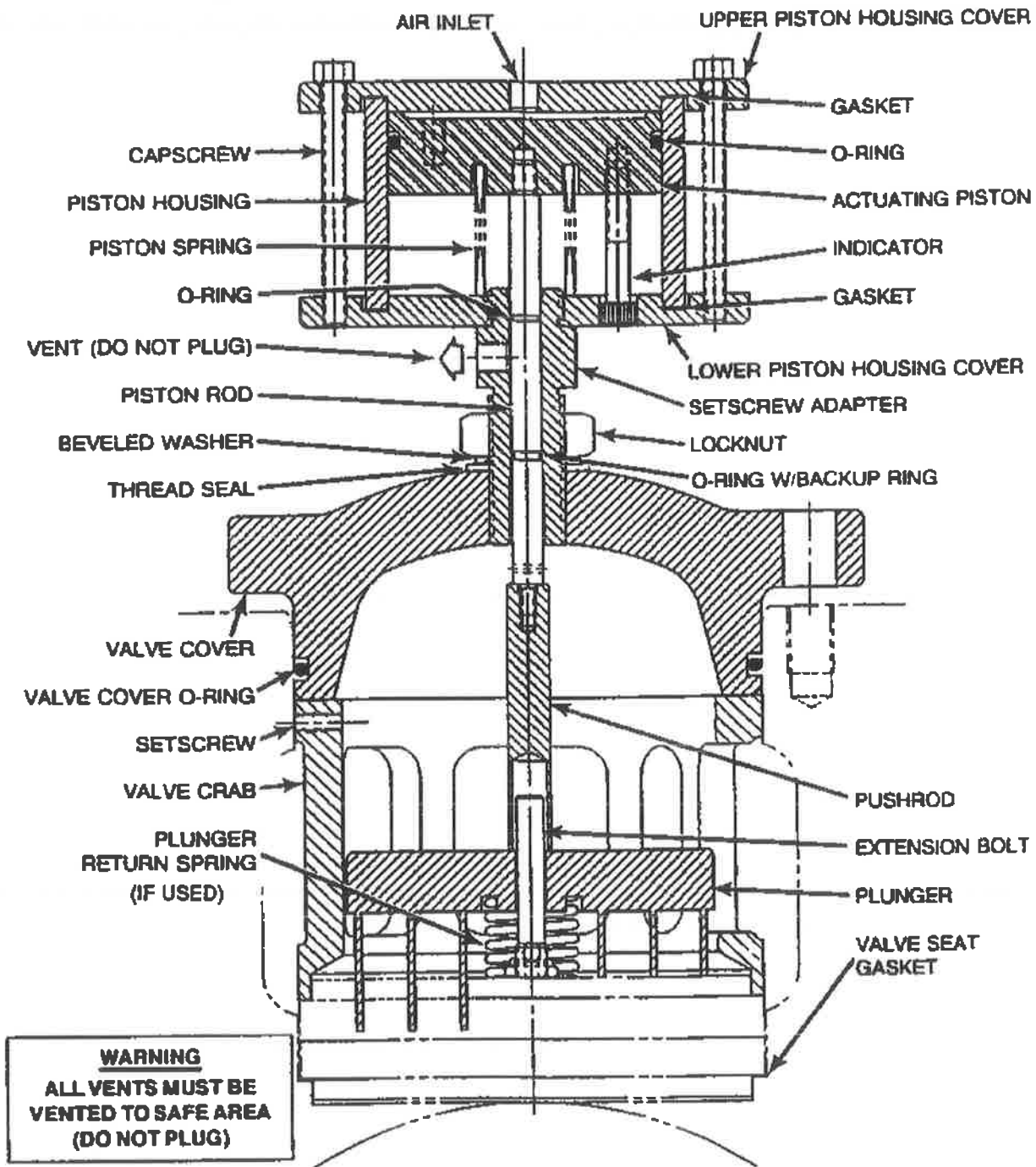
**Clearance pockets** (Paragraphs 4-17.2 and 4-17.3) are used on a compressor cylinder to add either a fixed volume, or a volume that is variable, to the cylinder's normal clearance volume. The pocket reduces the cylinder discharge capacity when it is in its normal deactivated (open) position. Fixed volume clearance pockets are operated by pneumatic pressure from an external source. ***Variable volume pockets are generally operated manually by means of a handwheel or wrench, and may be adjusted ONLY when the machine is shut down.***

With a fixed volume, pneumatically-operated pocket, when operating pressure is applied to the top of the actuating piston the valve is forced closed, increasing the cylinder discharge capacity. In its normal position, with no operating pressure applied to the actuating piston, the clearance valve is held in the open position by the return spring. A variable volume pocket is positioned by turning the piston rod (to which is attached a piston riding in a cylinder) in a clockwise direction to reduce volume or a counterclockwise direction to increase volume.

In its open position, the clearance pocket adds the volume of the clearance pocket to the end of the cylinder in which it is installed. By adding volume to a cylinder end, a reduced quantity of gas is discharged during the compression stroke because part of the gas being compressed is passed into the added volume of the pocket instead of out through the discharge valves. On the expansion portion of the stroke, the gas in the added volume pocket expands into the cylinder. As with the inlet valve unloader, an indicator rod is extended with pneumatic pockets when the clearance valve is in the open (volume added) position. When the device is actuated, closing the clearance pocket valve (no volume added), the indicator rod is retracted. Manual pockets generally are equipped with some type of scale to allow determination of how much of the pocket is open.

### 4-17.1. Inlet Valve Unloaders

The inlet valve unloader is operated by pneumatic pressure applied to the top of an actuating piston. The actuating piston is located outside of the cylinder inlet passage in a separate housing, as shown in Figure 4-32, which is mounted on the setscrew adapter as shown in the illustration. The setscrew adapter is hollow so that actuating piston motion can be transmitted by the piston rod via a pushrod to a plunger mechanism located inside the valve cage. The plunger utilizes "legs" to force the valve plates off the valve seat to mechanically hold the inlet valve open.



TP-4524

Figure 4-32. Inlet Valve Unloader with O-Ring Valve Cover

An O-ring seal is installed around the actuating piston to seal against the leakage of operating pressure past the piston. Also, an O-ring and an O-ring/backup ring combination is installed on the piston rod to prevent process gas leakage past the rod. A vent is provided in the setscrew adapter, which prevents pressure buildup between the O-ring and O-ring/backup ring combination.

The internal components of the unloader assembly are held in the valve hole by the O-ring-type valve cover that presses against the valve cage. The internals consist of the valve cage, the plunger assembly, the return spring, the extension bolt, and the inlet valve. Some later models have the pushrod attached to the plunger and no plunger return spring is used. With these designs, the piston return spring pulls the pushrod and plunger away from the valve plates when operating pressure is released.

### **⚠ WARNING**

**If toxic, flammable, or narcotic gas is being compressed, observe applicable safety precautions.**

#### **A. Control and Vent Piping**

Operating pressure is applied to a 1/4-inch NPT tapped hole provided in the piston housing cover. Drawings are furnished to show the arrangement of factory supplied piping and controls. Recommended piping arrangements are usually furnished when the piping is being done by others.

### **⚠ WARNING**

**The vent opening in the setscrew adapter must always be left open to assure safe and effective operation of the unloader. When the process gas is toxic, flammable, or in any other way objectionable in the compressor building, the vent must be piped so that any leakage can be carried away. Vent tubing must not be less than 3/8-inch (9.5 mm) O.D. and, if combined with other vent systems, there must not be any back pressure or vacuum in this piping.**

#### **B. Unloader Cleanliness**

1. The inlet valve unloader must be clean and tight to operate satisfactorily. The unloader should be examined during normally scheduled valve maintenance and/or inspection cycles. O-rings used in the unloader must be replaced during these maintenance/ inspection cycles. Always lubricate new O-rings. The use of a silicone type lubricant, or other lubricant, that is compatible with the O-ring material and the process is recommended.

### **⚠ WARNING**

**All precautionary measures specified by the Occupational Safety and Health Act of 1970 (OSHA) must be complied with when storing, handling, or using solvents.**

## Maintenance

---

2. To thoroughly clean the unloader assembly, it must be completely dismantled. Soaking the unloader parts in a safety solvent, followed by a stiff brushing or light scraping, will aid in removal of foreign material. Brush the parts carefully with a soft wire brush, but use a bristle brush for all seating surfaces. Blow away all loose particles with compressed air. All components must be thoroughly dried before reassembly.

### C. Removing Operator, Unloader and Valve Assembly

#### **⚠ WARNING**

**Before performing any service on the unloader, including removal of the upper housing cover for inspection purposes, be certain there is no pressure in the compressor cylinder bore or passages.**

1. Shut off and vent the operating pressure to the unloader.
2. Depressurize and vent the compressor cylinder.
3. Disconnect the vent and operating pressure lines.

#### **⚠ WARNING**

**With the O-ring body seal used on this type valve cover, any pressure that may be left in the cylinder will not be released when the cover nuts are loosened, but will remain under the cover trapped by the O-ring. To prevent the possibility of the valve cover being "blown off" by residual pressure when the cover nuts are removed, two longer studs are required to permit the safe removal of the cover. These studs are either present (they are double-nutted if factory supplied) or should be fabricated at the site. FAILURE TO OBSERVE THE FOLLOWING VALVE REMOVAL STEPS CLOSELY CAN RESULT IN POSSIBLE PROPERTY DAMAGE, INJURY TO THE MAINTENANCE PERSONNEL OR DEATH.**

4. Evenly loosen the valve cover stud nuts; note that two nuts are used on the two longer studs used with each valve cover.
5. Remove only those nuts on the short valve cover studs.
6. Back off the nuts on the long studs evenly two turns at a time. As the stud nuts are loosened, it may be necessary to tighten down the cylinder cover jackscrews (if installed) or pry under the valve cover to keep the cover in contact with the stud nuts. (This will prevent sudden loosening of the valve cover when the O-ring breaks free of the valve passage, caused by any pressure present.) As the O-ring is pulled from the valve passage, any residual pressure will be safely vented from under the cover.
7. Remove the operator and the valve cover.
8. Loosen the cage setscrew, then pull the valve cage assembly, the unloader assembly and the inlet valve assembly from the valve hole.

### NOTE

If two or more unloaders are removed; mark each one to be sure it is reinstalled into the same valve passage from which it was removed.

#### D. Disassembling Cage and Plunger

### SERVICE NOTE

Some valve cages may be attached to the valve with two small machinescrews. If so, first remove the machinescrews.

1. Lift the valve cage off the inlet valve.
2. Remove the plunger assembly and the return spring (if present).
3. Thoroughly clean all pieces.
4. Service the Type PF inlet valve following the instructions in Paragraph 4-16 of this manual.

### SERVICE NOTE

With some valves, it may be necessary to remove an extension bolt which is attached to the valve center stud in order to disassemble the valve. When unscrewing the extension bolt, be careful not to mar the surface of the bolt.

#### E. Installing Valve, Cage and Plunger

1. If the extension bolt has been removed, reassemble it to the valve first. Do this by cleaning the threads (internal and external), and applying primer for anaerobic adhesive. Allow the primer to dry for 5 minutes. Apply Loctite® #242 removable threadlocker (35272657) or equivalent. Screw the extension bolt into the valve.
2. Place the plunger return spring (if present) on the inlet valve over the extension bolt.
3. Set the plunger assembly over the extension bolt and onto the plunger; align the legs with the plates in the valve.
4. Lower the valve cage onto the inlet valve. Attach capscrew, if applicable.
5. Check for free movement of the plunger assembly.
6. Install a new valve seat gasket. Place the assembled inlet valve, valve cage, and plunger assembly into the cylinder valve hole. Secure the cage with the setscrew.

#### F. Disassembling Unloader Cover and Operator

1. Loosen the locknut on the setscrew adapter.

2. Separate the unloader cover from the operator and setscrew adapter.

### CAUTION

**Do not allow the actuating piston to rotate in the piston housing. Parts will be damaged by rotation.**

3. Unscrew the pushrod from the bottom of the actuating piston rod by using the hole at the base of the piston rod to secure the operator.
4. Remove and discard the Threadseal™, then remove the washer.
5. Separate the setscrew adapter from the operator. The setscrew adapter should have some drag on it, caused by the piston rod O-rings.
6. Loosen the six piston housing cover bolts gradually, allowing the housing covers to separate from the piston housing and relieve the spring pressure.
7. Remove the covers and gaskets. Clean the threads of the lower piston housing cover. Pull the piston spring, actuating piston with indicator and piston rod out of the piston housing. Remove and discard the piston and piston rod O-rings, and the backup ring.
8. The piston rod may be unscrewed from the actuating piston, if necessary, taking care not to mar the surfaces of the piston rod and piston. Use the two tapped holes on the top of the piston and the hole at the base of the piston rod to hold the piston and piston rod while turning.

### SERVICE NOTE

It is good maintenance practice to replace all O-rings, seals and gaskets during reassembly. Always lubricate the O-rings with a silicone lubricant or other lubricant compatible with the O-ring and process.

9. The indicator may be unscrewed from the actuating piston, taking care not to mar the surface of the piston.
10. If the piston rod was removed, clean the threads of the piston rod and the piston, then apply aerobic adhesive primer and allow it to dry for five minutes. Apply Loctite® #242 threadlocker (two drops) to the piston rod threads. Attach the piston rod to the piston.
11. Renew the O-rings and backup ring on the piston rod. (Note the order in which they are placed.) A single O-ring is installed in the top groove. Install the backup ring first and then an O-ring in the bottom groove. Make sure the O-rings and backup ring are lubricated with a lubricant compatible with the process gas.
12. Install a new piston O-ring and lubricate it with O-ring lubricant.
13. Insert the piston spring, actuating piston, and piston rod into the piston housing. Be sure that the O-ring is not rolled out of its groove when installing the actuating piston.
14. Clean the threads (both internal and external) of the piston housing cover bolts, then apply anaerobic adhesive primer and allow it to dry for five minutes. Apply Loctite® #242 threadlocker (two drops) to each bolt and with new piston housing cover gaskets in place, secure the piston housing covers to the piston housing. Tighten the housing cover bolts squarely by tightening gradually, in several stages, working back and forth across the bolt circle.

15. If the indicator was removed, clean the threads (internal and external) of the indicator, then apply anaerobic adhesive primer and allow to dry for five minutes. Apply Loctite® #242 threadlocker (two drops) to the indicator threads. Screw the indicator into the piston until the bottom of the indicator is flush with the lower piston housing cover.
16. Ensure that the setscrew adapter vent passage is clear.
17. Clean the threads of the setscrew adapter, then apply aerobic adhesive primer and allow to dry for five minutes. Apply Loctite® #242 (two drops) to the setscrew adapter threads. Slide the piston rod through the setscrew adapter and screw the setscrew adapter into the lower piston housing cover.
18. Ensure that the setscrew adapter has the locknut, beveled washer and Threadseal™ in place and in proper sequence. Insert the setscrew adapter into the unloader cover approximately 0.5 inch (12.7 mm) and tighten the locknut finger tight.

### CAUTION

**Do not allow the actuating piston to rotate in the piston housing. Parts will be damaged by rotation.**

19. Clean the threads (internal and external) of the piston rod and pushrod, and apply anaerobic adhesive primer. Allow it to dry for five minutes. Apply Loctite® #242 removable threadlocker (two drops) to the threads. Using the hole at the base of the piston rod to hold it steady, screw the pushrod into the piston rod.

### **G. Installing the Unloader**

1. Install a new O-ring onto the valve cover.
2. Install the assembled operator and valve cover assembly into the valve hole, sliding the pushrod over the extension bolt (loose fit).
3. Clean the threads (both internal and external) of the valve cover stud nuts or capscrews, then apply anaerobic adhesive primer and allow it to dry for five minutes. Apply Loctite® #242 threadlocker (two drops) to each capscrew. Tighten the valve cover squarely by tightening the capscrews gradually, in several stages, working back and forth across the stud circle.

### WARNING

**Valve cover stud nuts must be correctly tightened to the design pre-stress to ensure safe and efficient operation of the compressor. Refer to CHAPTER 5 of this manual for detailed tightening requirements.**

4. Adjust the stroke of the unloader.

### H. Adjusting the Stroke

1. Loosen the setscrew adapter locknut.
2. Slowly rotate the operator assembly clockwise until rotation is resisted without the locknut, washer, and Threadseal™ assembly contacting the valve cover.
3. Slowly rotate the operator assembly counterclockwise 1-1/2 turns if the suction valve lift is greater than 0.100 inch (2.54 mm), or 1 turn if the suction valve lift is less than or equal to 0.100 inch (2.54 mm).
4. Tighten the setscrew adapter locknut, pressing the washer and Threadseal™ firmly against the valve cover. Be sure not to rotate the operator, setscrew adapter assembly.
5. Connect operating pressure line and cycle unloader several times to ensure that free movement exists and that the unloader is functioning. Connect vent lines.

### 4-17.2. Variable Volume Clearance Pockets

The variable volume clearance pocket (Figure 4-33) is installed in the outer head of the compressor cylinder. Within the limits of pocket capacity, the exact amount of clearance volume can be added by turning the pocket's piston rod with a wrench. *The compressor MUST be shut down and the cylinders depressurized before making adjustments.*

The volume is changed by means of a movable piston, which is shown in Figure 4-33. The piston is sealed against leakage by two piston rings and is attached to the piston rod by a threaded connection between the piston and rod. The clearance volume is increased by loosening the jam nut and unscrewing the threaded rod, which will draw the piston outward away from the cylinder. Close control over cylinder capacity can be accomplished by setting the piston at some intermediate position between fully closed and fully open.

#### A. Construction

There are two designs of the variable volume pocket. One has a bonnet with a long neck (illustrated in Figure 4-33), while the other has a flat bonnet (not illustrated). The long-necked version is equipped with special seals, shown in the detail in Figure 4-33, which are installed on each side of a lantern ring. This seal assembly is held in place by a flat washer and secured by a retaining ring. The flat-bonnet version is equipped with a simple soft gasket under the piston rod sealing nut. Passage in the bonnet neck is equipped with a grease fitting that allows the piston rod threads to be greased. In addition, there are two plugged openings in the pocket that allow accumulated liquids to be drained (lower hole) or a test gauge to be connected (upper hole).

#### B. Maintenance

Periodic maintenance consists of applying a small amount of grease, compatible with the process gas, to the one grease fitting. It is suggested that the grease fitting be greased at least every three months.

The condition of the piston rings can be determined by periodic testing with a simple pressure gauge. With the compressor shut down and the cylinder vented, attach a test pressure gauge having a capacity at least a third higher than discharge pressure to the upper hole in the pocket. With the compressor again running, the gauge should read a steady pressure that falls somewhere between inlet and discharge pressure. A fluctuation of the gauge indicates that piston rings are leaking badly.



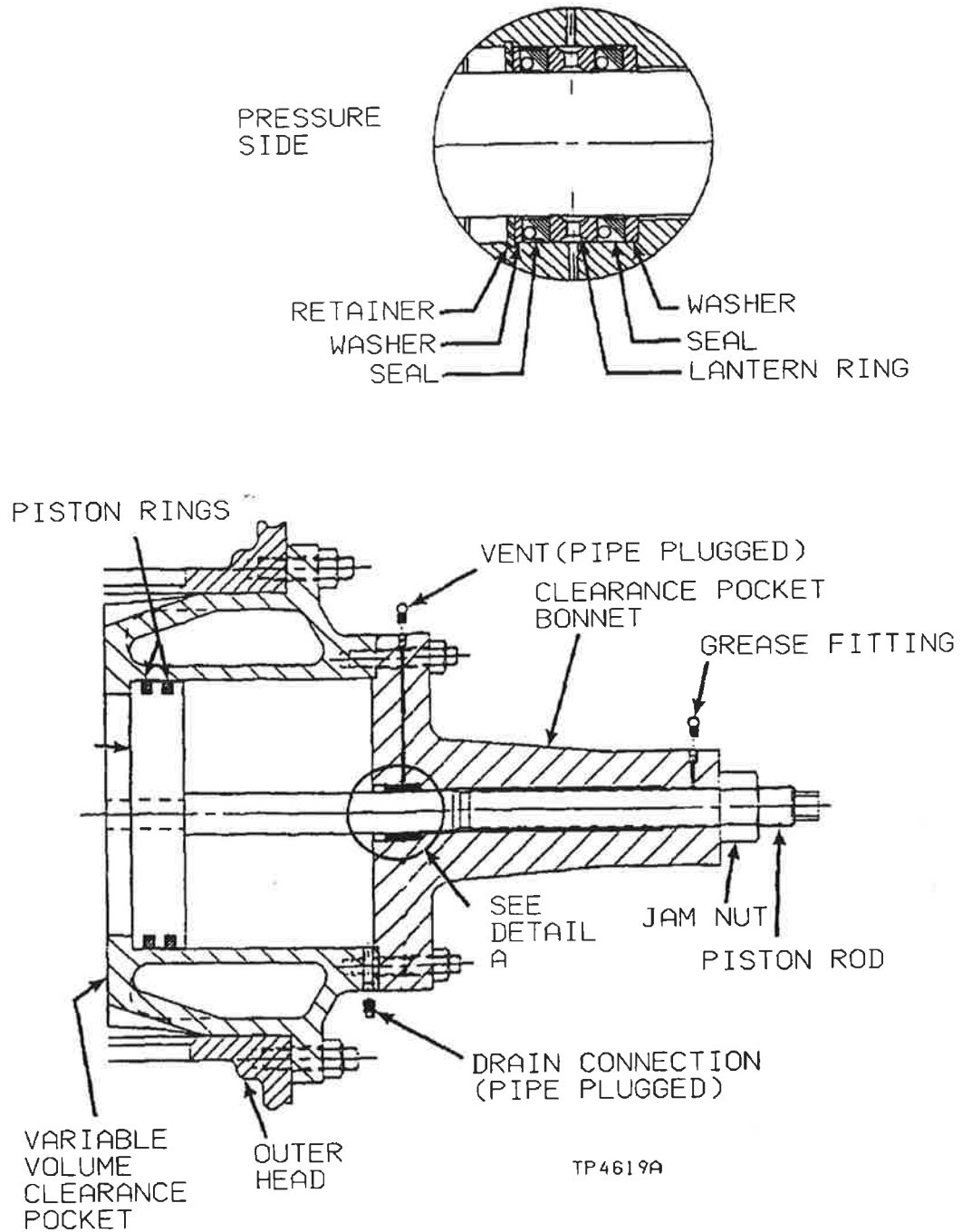


Figure 4-33. Current Design Variable Volume Clearance Pocket

## Maintenance

---

*To remove and disassemble the pocket, use the following steps;*

1. **RELIEVE THE PRESSURE IN THE COMPRESSOR CYLINDER AND VENT THE CYLINDER.**
2. Loosen and remove the stud nuts that secure the flange to the outer head.
3. Pull the clearance pocket assembly from the outer head, keeping it level until the piston clears the bore. Be sure the assembly is fully supported at all times with a sling and hoist arrangement capable of taking the weight.
4. Clean and examine the components of the variable volume pocket. Pay particular attention to the piston rings.
5. On long-neck bonnet versions, remove the seal retaining ring by first prying one end out of the groove, then by winding the ring completely out.
6. Continue with seal removal process by removing the washer, then by pulling the seals and lantern using a shop-made wire hook.
7. Install new seals with the open cup side of the seals facing the pressure (towards the cylinder bore).
8. Install the washer and retaining ring, making sure the ring is tight in its groove.
9. Install new piston rings on the piston. Normally it is more practical to replace the rings than to attempt a judgement call on their condition. Stagger the ring end gaps.
10. Clean the gasket surfaces of the outer head and the flange.
11. Loosen the jam nut and unscrew the piston rod a few turns; this will ensure that the piston is not "bottomed" during installation. If this is a flat-bonnet version, replace the sealing gasket at this time.
12. Install a new flange gasket, then guide the piston into the outer head bore. Make sure the assembly is kept level during this operation to prevent damaging the piston rings.
13. Install the stud nuts and tighten them in a criss-cross fashion, and in several stages, to the 25,000 psi (172 MPa) level found on the standard torque chart for the proper size fastener. (This chart is found in CHAPTER 5, GENERAL DATA & SPECIFICATIONS of this manual.)
14. Adjust the piston to the desired position for operation. Make sure the jam nut is secure before starting up the compressor.

### **4-17.3. Fixed Volume Clearance Pockets**

The internal operating components of the clearance pocket are the indicator rod, actuating piston, piston rod, return spring, crossbar and clearance valve itself. The crossbar, return spring (if present), piston rod and clearance valve are assembled in the clearance valve sleeve which is in turn bolted to the valve cover. The actuating piston and indicator rod are located in the piston housing.

Piston rings are installed around the clearance valve sleeve to prevent leakage of process gas past the sleeve and clearance valve when the valve is seated. O-ring seals are used on the actuating piston and indicator rod to seal the leakage of operating pressure past the piston and rod. A gland seal arrangement is used to seal around the piston rod to prevent the leakage of process gas. Vent openings are provided in the valve cover and piston housing to vent the piston rod gland seal arrangement and the actuating piston housing.

When operating pressure from an outside control source is applied to the top of the actuating piston, the piston motion is transmitted through the piston rod to the clearance valve crossbar and to the clearance valve, closing the valve. (The clearance valve sleeve is slotted for the travel of the crossbar.) Piston rings in the valve sleeve prevent leakage past the clearance valve into the clearance pocket when the valve is in its closed position. When operating pressure is shut off and vented, the valve returns to its normal (open) position.

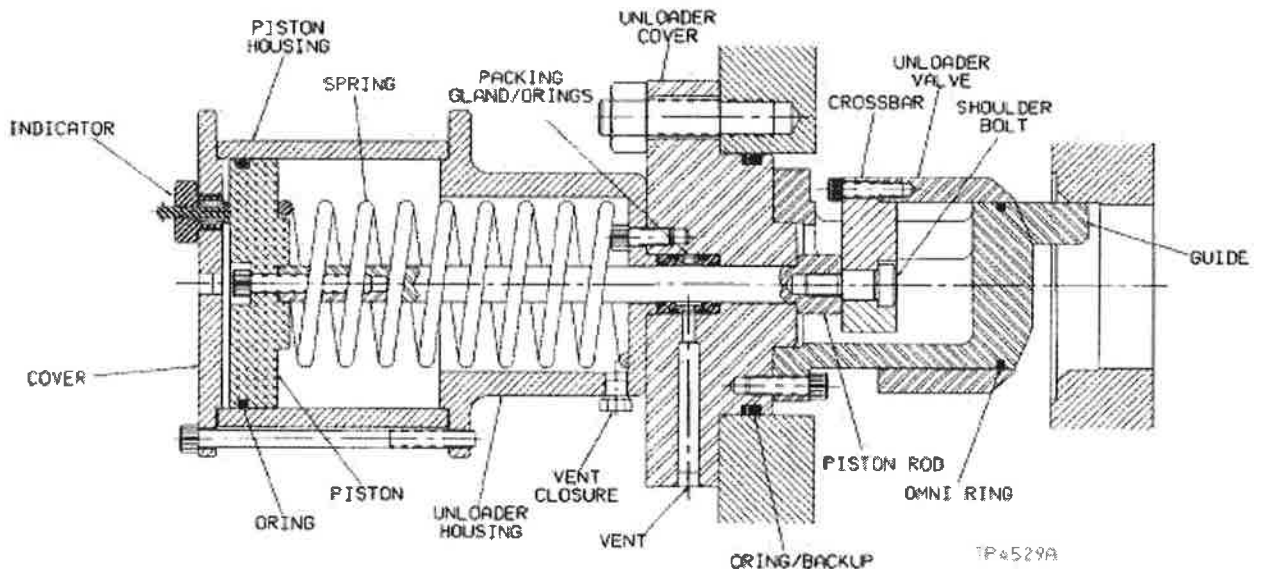


Figure 4-34. Typical Fixed Volume Clearance Pocket

**A. Control and Vent Piping**

Operating pressure is applied to a 1/4-inch NPT tapped hole provided in the piston housing cover. Drawings are furnished to show the arrangement of factory supplied piping and controls. Recommended piping arrangements are usually furnished when the piping is being done by others.

**⚠ WARNING**

The vent opening(s) in the clearance pocket must always be left open to assure safe and effective operation of the device. When the process gas is toxic, flammable, or in any other way objectionable in the compressor building, the vent must be piped so that any leakage can be carried away. Vent tubing must not be less than 3/8-inch (9.5 mm) O.D. and, if combined with other vent systems, there must not be any back pressure or vacuum in this piping.

### B. Clearance Pocket Cleanliness

1. The clearance pocket and valve assembly must be clean and tight to operate satisfactorily. The assembly should be examined during normal periodic maintenance inspections. O-rings and backup rings (if used) in the assembly must be replaced and lubricated periodically; it is suggested that this be accomplished during routine maintenance. The use of a silicone type lubricant or other lubricant that is compatible with the O-ring material and the process is recommended.

#### **⚠ WARNING**

**All precautionary measures specified by the Occupational Safety and Health Act of 1970 (OSHA) must be complied with when storing, handling, or using solvents.**

2. To thoroughly clean the assembly, it must be completely dismantled. Soaking the parts in a safety solvent, followed by a stiff brushing or light scraping, will aid in removal of foreign material. Brush the parts carefully with a soft wire brush, but use a bristle brush for all seating surfaces. Blow away all loose particles with compressed air. All components must be thoroughly dried before reassembly.

### C. Removing the Clearance Pocket Assembly

1. Shut down and vent ALL pressure from the unit.
2. Shut off and vent the operating pressure.
3. Disconnect the vent and operating pressure lines.
4. Mark or tag the clearance pockets before they are removed.

#### **⚠ WARNING**

**With the O-ring body seal used on this type valve cover, any pressure that may be left in the cylinder will not be released when the cover nuts are loosened, but will remain under the cover trapped by the O-ring. To prevent the possibility of the valve cover being "blown off" by residual pressure when the cover nuts are removed, two longer studs are required to permit the safe removal of the cover. These studs are either present (they are double-nutted if factory supplied) or should be fabricated at the site. FAILURE TO OBSERVE THE FOLLOWING VALVE REMOVAL STEPS CLOSELY CAN RESULT IN POSSIBLE PROPERTY DAMAGE, INJURY TO THE MAINTENANCE PERSONNEL OR DEATH.**

5. Evenly loosen the valve cover stud nuts; note that two nuts are used on the two longer studs used with each valve cover.
6. Remove only those nuts on the short valve cover studs.

7. Back off the nuts on the long studs evenly two turns at a time. As the stud nuts are loosened, it may be necessary to tighten down the cylinder cover jackscrews (if installed) or pry under the valve cover to keep the cover in contact with the stud nuts. (This will prevent sudden loosening of the valve cover when the O-ring breaks free of the valve passage, caused by any pressure present.) As the O-ring is pulled from the valve passage, existing pressure will be safely vented from under the cover.
8. Remove the assembly from the compressor.
9. Install temporary covers over the clearance pocket passage(s) to prevent entry of foreign objects.

### **D. Disassembling Actuating Piston Housing**

1. Remove the nuts that fasten the piston housing cover to the piston housing.
2. Carefully lift the piston cover over the indicator rod; remove and discard the cover gasket. Clean the gasket surfaces in preparation for reassembly.
3. Lift the piston housing off the valve cover.
4. Remove the actuating piston and indicator rod from the piston rod. (The piston rod can only be removed through the bottom of the body.) Remove and discard the actuating piston and indicator rod O-rings.

### **SERVICE NOTE**

It is good preventative maintenance practice to replace all O-rings and gaskets during reassembly. Always lubricate the O-rings with a silicone lubricant or other lubricant compatible with the O-ring and process.

### **E. Disassembling Clearance Valve Sleeve**

1. Remove the fasteners and the lockwasher that connect the valve sleeve to the valve cover and separate the two.
2. The piston rod may now be removed through the bottom of the valve cover.
3. Disassemble the crossbar by unscrewing the fasteners and lockwashers that fasten it to the clearance valve.
4. Pull the crossbar out of the sleeve.
5. Pull the clearance valve off the sleeve.
6. Remove and discard the piston rings if they are chipped, cracked, broken or stuck to their lands.
7. Remove and clean the return spring; check for cracks or other visible defects.

### **F. Servicing the Gland Seal**

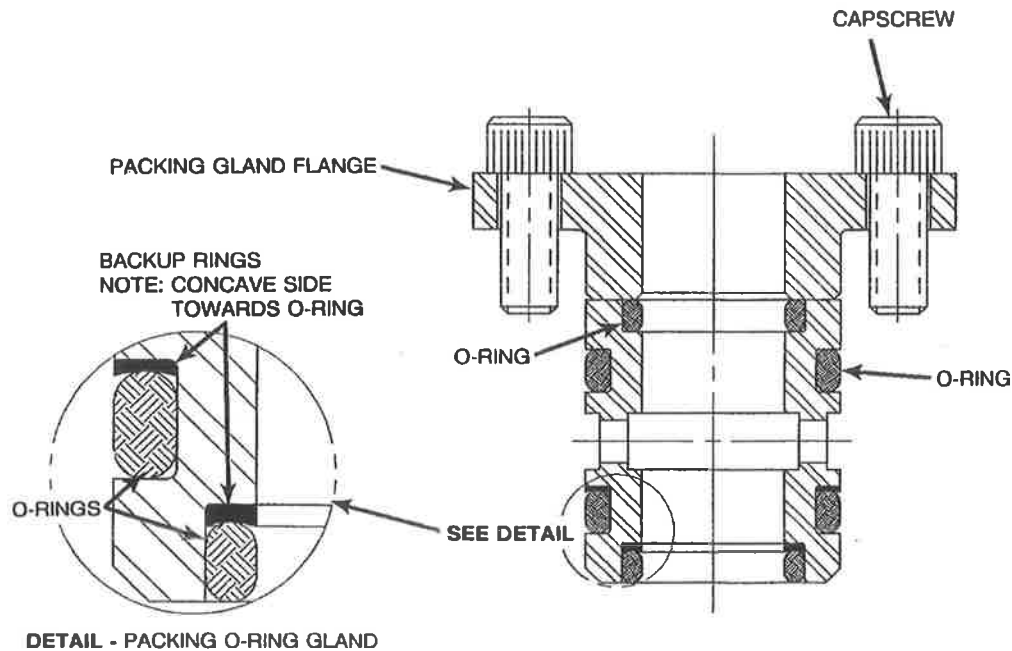
1. Remove the fasteners to permit removal of the gland seal. (See detail in Figure 4-35.)

## Maintenance

2. If necessary, use a shop-made wire hook to pull the gland seal from the body.
3. Remove and discard the O-rings and backup rings.

### SERVICE NOTE

It is good maintenance practice to replace all O-rings, backup rings, and gaskets during reassembly. Always lubricate the O-rings with a silicone lubricant or other lubricant compatible with the O-ring and process.



TP-4530

Figure 4-35. Gland Seal Detail

4. Renew the O-rings and backup rings on the gland seal. (Note the order in which they are placed.) O-rings are installed in the top inner and outer groove. Install a backup ring and then an O-ring in the bottom inner and outer grooves. (The concave surface of the backup ring faces toward the O-ring.) Make sure the O-rings and backup rings are lubricated with a lubricant compatible with the process gas.
5. Place the gland seal into the body; be careful not to roll or cut the O-rings.
6. Clean the threads (both internal and external) of the gland seal cap screws, then apply anaerobic adhesive primer and allow it to dry for five minutes. Apply Loctite® #242 threadlocker (two drops) to each cap screw; reattach the gland seal to the body.

7. Push the piston rod up through the gland seal.

### **G. Assembling Actuating Piston Housing**

1. If the piston rod was removed, clean the threads of the piston rod and the piston, then apply aerobic adhesive primer and allow it to dry for five minutes. Apply Loctite® #242 threadlocker (two drops) to the piston rod threads. Attach the piston rod to the piston.
2. Install new indicating rod and actuating piston O-rings and lubricate them with O-ring lubricant.
3. Insert the actuating piston and piston rod into the piston housing. Be sure that the O-ring is not rolled out of its groove when installing the actuating piston.
4. Clean the threads (both internal and external) of the piston housing cover bolts, then apply anaerobic adhesive primer and allow it to dry for five minutes. Apply Loctite® #242 threadlocker (two drops) to each bolt and with new piston housing cover gaskets in place, secure the piston housing covers to the piston housing. Tighten the housing cover bolts squarely by tightening gradually, in several stages, working back and forth across the bolt circle.
5. With a new cover gasket in place, reinstall the piston housing cover over the indicator rod; tighten the stud nuts evenly.

### **H. Assembling Clearance Valve Sleeve**

1. Inspect the valve sleeve piston ring lands, ensuring they are clean. The lands can be cleaned with a piece of carved hardwood. Do not use old rings to clean the lands because they may cut into the lands and grooves damaging the sleeve.
2. Fit new rings to the sleeve (if they are required). Stagger the butt ends of the rings 120 degrees.
3. While carefully compressing each piston ring, push the clearance valve over the piston rings and onto the valve sleeve. Do not push the clearance valve onto the valve sleeve far enough to block the slots in the sleeve.
4. Place the return spring (if used) into the valve sleeve. Some models do not require a return spring.
5. Insert the crossbar through slots in the valve sleeve. Fit the crossbar to the return spring then connect the crossbar to the clearance valve using the lockwashers and fasteners provided.
6. Connect the valve sleeve to the valve cover using the fasteners and lockwashers removed.

### **I. Installing Clearance Pocket Assembly**

1. Remove the temporary covers from the valve passage(s).
2. Install a new valve O-ring and backup ring seal around the valve cover. Place the unit in the clearance pocket and align the operating pressure and vent piping connections with the installed piping.
3. Reinstall the valve cover fasteners and hand tighten. Loosen all fasteners 1/4 turn.

## Maintenance

---

4. Reconnect operating pressure and vent piping.
5. Apply operating pressure to the actuating port to seat the clearance valve. (This will align the clearance valve with the cylinder.)
6. Release the operating pressure.
7. Reapply operating pressure to the actuating port.

### **⚠ WARNING**

**Valve cover stud nuts must be correctly tightened to the design pre-stress to ensure safe and efficient operation of the compressor. Refer to CHAPTER 5, GENERAL DATA & SPECIFICATIONS of this manual for detailed tightening requirements.**

8. While operating pressure is still applied, make several passes working back and forth across the stud circle to ensure the valve cover is drawn down tightly and evenly.



**DRESSER-RAND**

**GENERAL DATA & SPECIFICATIONS**

---

**HOS**  
**Chapter 5**

---

<b>Paragraph</b>		<b>Page</b>
5-1.	GENERAL AND OPERATING DATA .....	5-2
5-2.	ASSEMBLY FITS AND CLEARANCES .....	5-4
5-3.	TIGHTENING REQUIREMENTS .....	5-6

---

## General Data & Specifications

### 5-1. GENERAL AND OPERATING DATA

The specifications in this section apply to the standard 6-inch stroke HOS compressor, rated at 60,000 pounds (27 270 kg) rod load. Contact the nearest Dresser-Rand branch office when there is a question about any specification or recommendation in this manual.

**HOS Compressor General Data**

<b>Number of Throws</b>		2	4	6
<b>No. Main Bearings</b>		2	4	6
<b>Oil Sump Capacity</b>	<b>GAL.</b>	21	57	96
	<b>L.</b>	79	216	365
<b>Main Oil Pump Output @ 1000RPM</b>	<b>GPM</b>	40	70	110
	<b>LPM</b>	152	266	380
<b>Maximum Speed RPM</b>		1200	1200	1200
<b>Minimum Operating Speed RPM</b>		500	500	500

#### **Lubricating Oil:**

Normal Oil Pressure (at Header) ..... 50-65 PSIG (344-448 kPa)  
 Minimum Oil Pressure (at Header) ..... 40 PSIG (275 kPa)  
 Shutdown Oil Pressure (at Header) ..... 35 PSIG (240 kPa)  
 Minimum Start-up Oil Temperature (Electric Drive) ..... 80°F (27°C)  
 Minimum Load Oil Temperature (Engine and Electric Drives) ..... 90°F (32°C)  
 Normal Oil Operating Temperature ..... 150 to 170°F (66° to 77°C)\*\*

\*\*NOTE: Not to exceed 180° for continuous operation

#### **For units containing main bearing RTD's:**

Maximum Alarm Setting ..... 190°F (88°C)  
 Maximum Shutdown Setting ..... 200°F (93°C)

#### **Recommended minimum prelube capacity @ 35 psi (on electric motor driven machines only):**

<b>Frame Size</b>	<b>Gallons per Minute (GPM)</b>
2 Throw .....	15 GPM
4 Throw .....	25 GPM
6 Throw .....	50 GPM

***Water-Cooled Cylinders:***

Minimum Coolant Temperature (Outlet) .....	110°F (43°C)
Minimum Coolant Temperature (Inlet) .....	100°F (43°C)
Water-Cooled Packing [gpm (L/min)] per packing .....	2.5 (9.5)
Nominal Pressure .....	35 PSIG (241 kPa)
Maximum Pressure .....	75 PSIG (517 kPa)

***Distance Pieces:***

Maximum Internal Pressure .....	25 PSIG (172 kPa)
---------------------------------	-------------------

**5-2. ASSEMBLY FITS AND CLEARANCES**

**Table 5-1. Running Gear Part Fits and Tolerances  
(ALL DIMENSIONS ARE GIVEN IN INCHES)**

<b>Location of Clearance or Fit</b>	<b>Original Clearance Micrometer</b>	<b>Original Clearance Feeler</b>
Main Bearing (Vertical-measured between top of crankshaft and main bearing shell) (Shim Type Aluminum)	0.008 to 0.011	0.007 to 0.010
Crankshaft Total Thrust	----	0.018 to 0.023
Connecting Rod Bearing to Crankpin (Diametral) (Shimless Steel-Backed Aluminum)	0.007 to 0.010	0.006 to 0.009
Total Side Clearance between Connecting Rod and Crank Webs	----	0.015 to 0.023
Crosshead Pin to Connecting Rod Bushing (Diametral)	0.002 to 0.006	0.001 to 0.005
Crosshead Pin Bushing to Connecting Rod (Interference)	(0.002 to 0.004)	----
Crosshead Shoe to Guide(Cold) 1 - piece 3 - piece Minimum (Hot)	0.013 to 0.018 0.017 to 0.022 -----	0.012 to 0.017 0.016 to 0.021 0.007
Main Bearing Tie Rod Spacer to Frame (Interference) [Spacer Length Less Opening Stamped on Frame]	(0.003 to 0.005)	----

**Table 5-1A. Running Gear Part Fits and Tolerances  
(ALL DIMENSIONS ARE GIVEN IN MILLIMETERS)**

Location of Clearance or Fit	Original Clearance Micrometer	Original Clearance Feeler
Main Bearing (Vertical-measured between top of crankshaft and main bearing shell)	0.20 to 0.28	0.18 to 0.25
Crankshaft Total Thrust	----	0.46 to 0.58
Connecting Rod Bearing to Crankpin (Diametral)	0.18 to 0.25	0.15 to 0.23
Total Side Clearance between Connecting Rod and Crank Webs	----	0.38 to 0.58
Crosshead Pin to Connecting Rod Bushing (Diametral)	0.05 to 0.15	0.025 to 0.13
Crosshead Pin Bushing to Connecting Rod (Interference)	(0.05 to 0.10)	----
Crosshead Shoe to Guide (Cold) 1 - piece 3 - piece Minimum (Hot)	0.33 to 0.46 0.43 to 0.56 -----	0.30 to 0.43 0.41 to 0.53 0.18
Main Bearing Tie Rod Spacer to Frame (Interference) [Spacer Length Less Opening Stamped on Frame]	(0.08 to 0.13)	----

### 5-3. TIGHTENING REQUIREMENTS

#### **⚠ WARNING**

The fasteners used in compressors must be correctly tightened to the design pre-stress to ensure safe operation of the equipment. Prior to the initial start-up of the equipment, or before starting an overhauled machine, fasteners must be checked for proper tightness to ensure the full mechanical integrity of the unit. After start-up, fasteners that were properly tightened can loosen due to operating temperatures and pressures, gasket crush, fastener and joint relaxation, and other factors. **THEREFORE, IT IS IMPORTANT THAT ALL FASTENERS SUBJECTED TO THE ABOVE CONDITIONS BE PERIODICALLY RECHECKED FOR TIGHTNESS.** (Particular attention should be given to all bolts and nuts on the compressor cylinders and distance pieces and to the cylinder-to-frame bolting.)

Fasteners should be checked for proper tightness during the break-in period and again after the first week of operation. Check them monthly thereafter for a period of three months and then once every three months until a full year of operation has been completed. Beyond this point, experience will dictate how often these tightness checks should be made. In any event, a check should be made at least once a year. To check the tightness of a fastener, first mark the position of the bolt head or nut and then loosen it; clean and re-lubricate; the fastener should then be re-tightened to the required value. Observe to see whether the bolt head or nut has advanced past its reference position. If it has, this indicates that the fastener was loose and that it should be replaced and closely observed during all future tightness checks.

Fastener pre-stress (initial tightening) is calculated to prevent separation of the connected members when they are subjected to operating forces and, in cases of cyclic loading, to protect the fastener from the fatigue effects of the alternating tensile and compressive stresses.

Measuring bolt stretch or using wrench torque are the two most widely used methods of applying fastener pre-stress. When using a torque wrench, a **properly calibrated** wrench is essential in obtaining correct fastener pre-stress. An accurate torque cannot be applied to a nut or bolt using a commercial air impact wrench or "air hammer". ***Under no circumstances is an air impact wrench to be used for FINAL tightening of any fastener.***

Preparation of thread and seating faces is important. In most torque applications, more than 80 percent of the applied torque is used to overcome friction and the balance to actually stress the fastener. It is therefore imperative that threads be clean and free of nicks and burrs; that seating faces on the nut or bolt head and mating surface be smooth, flat and parallel; and that the threads and contact faces be well lubricated with oil only.

All fasteners used on multi-fastener joints require a tightening procedure that will allow the fasteners to be evenly and sequentially tightened, in gradual increments, to the specified torque. This prevents distortion of mating surfaces and "cocking" of flanged connections.

Closely observe the following tightening requirements and recheck fastener tightness periodically as dictated by the local operating conditions.

1. All torque values are for clean, well-lubricated threads free of nicks and burrs. For stud (or bolt) and nut combinations, the nut should turn freely on the stud threads. Capscrews should run in freely at least up to the final assembled depth. (Some thread interference is normal on certain self-locking fasteners.) Lubricant should be applied to both internal and external threads and evenly distributed. A uniform coating of lubricant should be applied to the fastener and seating surfaces.
2. Wrench torques can produce fastener pre-stress variations of plus or minus 35 percent, depending on the degree of lubrication or non-lubrication and also on the condition of seating surfaces.
3. Unless otherwise specified, the tightening torques given are applicable to fasteners lubricated with common petroleum lubricating oils. Using molybdenum disulfide lubricants and similar products having extremely high anti-friction properties can result in increased fastener pre-stress when these torques are applied.
4. Geared head wrenches (torque multipliers) will not produce the full mechanical advantage from the reduction gears. There are mechanical and friction losses of about 10 percent in the tool head. The tool manufacturer's instructions should be observed to determine the exact reduction percentage for a particular torque multiplier. The required input torque must then be increased by that percentage.

### WARNING

**The wrench torques listed in the standard table should be used only on those fasteners for which a specific torque is not given.**

The torque values listed in the Standard Torque Table 5-3 for Engine Process Compressor Division products should be used for all fasteners for which a specific torque value is not given. Pay particular attention to the following note when selecting torque values from the standard table.

### IMPORTANT NOTE

**Unless otherwise stated, the tightening stress levels for a particular bolting application can be determined as follows:**

- **For connections with metal-to-metal contact, use 30 000 PSI (207 MPa) stress level.**
- **For connections with non-metallic gaskets, use 20 000 PSI (138 MPa) stress level.**
- **For foundation bolts, use 25 000 PSI (172 MPa) stress level.**

## General Data & Specifications

Table 5-3. Standard Torque Table

NOMINAL BOLT SIZE (inches)	20,000 PSI (138 MPa) Bolt Stress		25,000 PSI (172 MPa) Bolt Stress		30,000 PSI (207 MPa) Bolt Stress		40,000 PSI (276 MPa) Bolt Stress	
	Torque		Torque		Torque		Torque	
	ft-lbs	N•m	ft-lbs	N•m	ft-lbs	N•m	ft-lbs	N•m
1/4	3	4	3	4	4	6	5	74
5/16	5	7	7	10	8	11	11	15
3/8	9	12	12	16	14	19	19	26
7/16	15	20	18	24	22	30	29	39
1/2	22	30	28	30	33	45	44	60
9/16	31	42	39	53	47	64	63	85
5/8	44	60	55	75	66	90	88	119
3/4	76	103	95	129	114	155	152	206
7/8	120	163	150	203	180	244	240	325
1	175	237	220	300	265	360	350	475
1-1/8	260	355	330	450	390	530	520	705
1-1/4	360	490	450	610	530	720	710	965
1-3/8	480	650	600	815	710	965	950	1290
1-1/2	620	840	770	1045	920	1250	1230	1670
1-3/4	950	1290	1190	1615	1420	1925	1890	2565
2	1470	1990	1830	2480	2200	2980	2930	3970
2-1/4	2130	2890	2670	3620	3200	4340	4270	5970
2-1/2	2950	4000	3650	4950	4400	5970	5850	7930
2-3/4	3950	5360	4900	6640	5900	8000	7850	10640
3	5150	6980	6400	8680	7700	10440	10250	13900

*Observe the following when using this torque table:*

- All information and instructions given under TIGHTENING REQUIREMENTS must be thoroughly reviewed before applying the specified wrench torques.
- The wrench torques are applicable to both National Fine and National coarse thread series. Any difference in the torque values because of thread series is within the normal variation of torque wrench accuracy.
- When tightening fasteners incorporating a self-locking feature, a certain amount of the applied torque is lost because of the additional friction of the locking feature. To properly tighten these fasteners, use a torque wrench to measure the "run-down" torque and then add it to the listed value.



**Table 5-4. Compressor Cylinder Bolting**

**For compressor cylinder bolting, use the torque values from Table 5-3 to obtain the bolt pre-stress levels indicated below:**

APPLICATION	BOLT PRE-STRESS
Valve Cover and Unloader Setscrews <sup>1,2</sup> < 2000 PSI MAWP RATING 2000 PSI MAWP AND UP RATING	25 000 PSI (172 MPa) 30 000 PSI (207 MPa)
Valve Cover Studs and Capscrews <sup>2</sup> < 2000 PSI MAWP RATING 2000 PSI MAWP AND UP RATING	25 000 PSI (172 MPa) 30 000 PSI (207 MPa)
Outer Head & Clearance Bottle Studs (With Standard Gaskets)	25 000 PSI (172 MPa)
Outer Head & Clearance Bottle Studs (With Flexitallic Gaskets)	30 000 PSI (207 MPa)
All Other Cylinder Bolting	20 000 PSI (138 MPa)

<sup>1</sup> Inlet valve unloader setscrews may be oversize to accommodate a through-hole for the unloader actuating rod. This can be determined by comparing the unloader setscrew diameter to that of a discharge valve setscrew on the same cylinder. IF THE SETSCREW IS OVERSIZE, APPLYING THE TORQUE VALUE FROM THE TABLE WILL OVER-TIGHTEN THE SETSCREW. Oversize unloader setscrews are properly tightened by (1) determining the correct torque from the table for the DISCHARGE valve setscrew and (2) ADDING 25 percent to that torque value. It must be noted that this only applies to OVERSIZE setscrews.

<sup>2</sup> Pressure ratings refer to the cylinder maximum allowable working pressure (MAWP) stamped on the cylinder nameplate.

**▲ CAUTION**

**Special compressor cylinder fastener torque values may be supplied with your order. If so, the data above is superseded.**

## General Data & Specifications

**Table 5-5. Frame & Running Gear Bolting**

Bolt or Stud Location	Size & Pitch (Inches)	Distance Across Flats (Inches)	Bolt Pre-Stress (PSI)	Torque (Ft-lbs)	Torque (N×m)
Main Bearing Cap Bolt	1 - 8	1-5/8	50 000 Nominal	420	569
Connecting Rod Bolt Nut	1-3/4 - 12	2-5/8	48 000 Nominal	0.018 to 0.020 in. <sup>1</sup> (0.46 to 0.51 mm)	
Frame Tie Rod Nut	1-1/2 - 8UN	2-3/8	30 000	<sup>2</sup>	<sup>2</sup>
Cylinder Tie Rod Nut	1-1/2 - 8	2-3/8	40 000	1230	1670
Crosshead Shoe Nut (3 Piece only)	¾ - 10UN	1-1/4	30 000	114	155

**NOTES:**

<sup>1</sup> = Stretch method required for this fastener.

<sup>2</sup> = See Paragraph 4-7.2. Number 11 for frame tie rod nut tightening procedure.

D

C

B

A

DWG NO. R82120A-008 SH 2

CUSTOMER : SEE LEAD SHEET  
ORDER NO. : SEE LEAD SHEET  
FRAME SERIAL NO(S.): SEE LEAD SHEET

REVISIONS				
ZONE	REV	DESCRIPTION	DATE	APPROVED
FOR REV. SEE 3 OF 3				

15.00" AC / PF67

NOTE:  
1) SEE LEAD SHEET FOR NAMEPLATE STAMPING INFO.

ORIGINAL WITHOUT RIDER BANDS

NYO: NA

S/N: NA

DRAWINGS

CYLINDER: G12203

PISTON: F32177P4

VALVES: MLH56039AG11 INLET

CLEAR. CALC. BY:

NAME: G. LORTIE

DATE: 12/2/93

NOTE: PISTON AND ROD WEIGHT TO BE STAMPED ON NAMEPLATE AFTER ASSEMBLY HAS BEEN WEIGHED.

CYLINDER TYPE	HOS	SERIAL NO
NOMINAL BORE	15.00 IN	381.0 MM
LINERED BORE		
STROKE	6.00 IN	152.4 MM
RATED DISCHARGE PRESS.	450	PSIG
		31.64 KG/CM <sup>2</sup> G
MAX. ALLOW. WORKING PRESS.	495	PSIG
		34.80 KG/CM <sup>2</sup> G
HYDROSTATIC TEST PRESS.	745	PSIG
		52.0 KG/CM <sup>2</sup> G
MAX. COOLING WATER PRESS.		PSIG
		KG/CM <sup>2</sup> G
MAX. ALLOW. DISCH. GAS TEMP.	350	*F
		177 *C
MAXIMUM SPEED	1200	RPM
BASE CYLINDER CLEARANCE	OUTER END 14.5	FRAME END 14.2
NORMAL LINEAL CLEARANCE	.09 IN 2.3 MM	.06 IN 1.5 MM
ADDED FIXED CLEARANCE	IN <sup>3</sup> MM <sup>3</sup>	IN <sup>3</sup> MM <sup>3</sup>

ALWAYS GIVE SERIAL NO. WHEN ORDERING SPARE PARTS  
MADE IN U.S.A

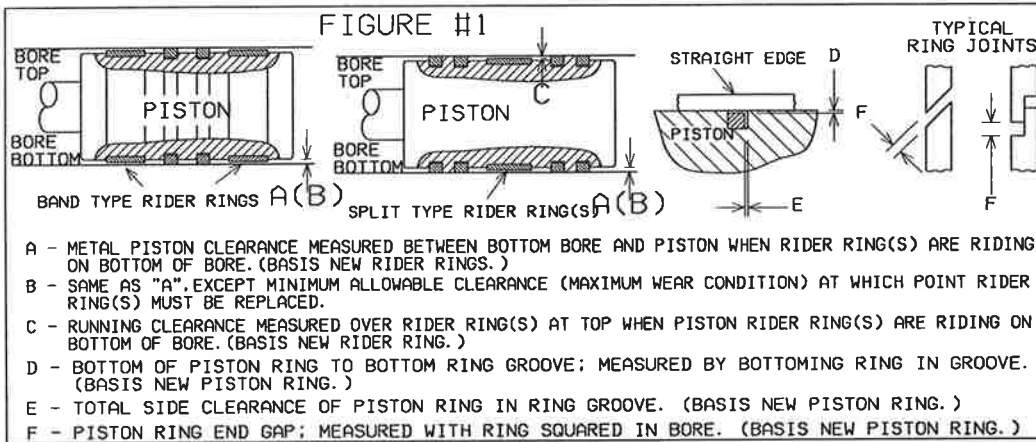
CYLINDER SIZE	FRAME END CLEARANCE	OUTER END CLEARANCE
15.00	.043 .082	.064 .123

CYLINDER SIZE	NUMBER OF LUBRICATION FEEDS			
	CYLINDER TOP	CYLINDER BOTTOM	PACKING	OTHER
15.00	1	1	1	NONE

- FULL LUBE  
 MIN. LUBE  
 NL

PISTON DIAMETER AND MATERIAL	REFER TO FIGURE #1 FOR CLEARANCE LOCATION AND DESCRIPTION						PISTON/RIDER RING MATERIAL AND TYPE
	A	B	C	D	E	*F	
15.00 TO .025 1 PIECE CAST IRON	.034 TO .025	.010	.056 TO .041		.011 TO .007	.150 TO .105	(COMBO RING) 2-PC GR. 12 THERMOPLASTIC (ORANGE)

\*F = .255 TO .300 FOR TFE RINGS



CHG TO: 29C 109 124C 149C

THIRD ANGLE PROJECTION		DR DRESSER-RAND TULSA, OKLAHOMA 74148		
DRAWN D. J. CHICUORKA	DATE 12/23/93	SIZE 15.00	STROKE 6.00	TYPE HOS
CHECKED G. R. LORTIE	DATE 12/23/93	NAME OF PART CYLINDER INSTRUCTIONS		
APPROVED G. R. LORTIE	DATE 12/23/93	SIZE B	FEDERAL SUPPLY CODE	DWG NO. R82120A-008
SCALE NTS		WT.	SHEET 2 OF 3	

D

C

B

A

# DRESSER-RAND CYLINDER INSTRUCTIONS

## SPECIAL CYLINDER BOLTING TORQUE VALUES

CUSTOMER: SEE LEAD SHEET      ORDER NO.: SEE LEAD SHEET

### CYLINDER SERIAL NUMBERS

SEE LEAD SHEET

DESCRIPTION (REFER TO FIGURE 1)	REF. NO. SEE FIGURE 1	BOLT SIZE (INCHES)	FINAL ASSY. & HELIUM TEST STRESS PSI (MPA)	FINAL ASSY. & HELIUM TEST TORQUE FT. LBS. (N-M)	HYDRO TEST STRESS PSI (MPA)	HYDRO TEST TORQUE FT. LBS. (N-M)
CYLINDER TO OUTER HEAD	1	1.000	25,000	220 (300)		
CYLINDER TO VALVE COVER	2	.750	25,000	95 (129)		
VALVE COVER SET SCREW (INLET)	3					
VALVE COVER SET SCREW (DISCH)	4					
CYLINDER TO FRAME HEAD	5					
CYLINDER TO DISTANCE PIECE	6					
FRAME HD. TO DISTANCE PIECE	7					
DISTANCE PC. TO DISTANCE PC.	8					
FRAME HD. TO PACKING	9	.750	20,000	76 (103)		
INLET & DISCHARGE FLANGE	10	.875	20,000	120 (163)		
RAN COVER	11					
CYLINDER TIE ROD	12	1.500	40,000	1230 (1670)		

THE TABLE ABOVE REFERS TO SPECIAL TORQUES FOR COMPRESSOR CYLINDER BOLTING ILLUSTRATED ON FIGURE 1.

NOT ALL LOCATIONS ARE USED ON ALL CYLINDER DESIGNS.  
"SEE TIGHTENING INSTRUCTIONS" IN CHAPTER 5 OF THE INSTRUCTION BOOK.

DWG NO.      SH      2      1

REVISIONS				
ZONE	REV	DESCRIPTION	DATE	APPROVED
	A	ADDED A & B ON PG 2. REVISED FIGURES ON PG 3 94B0260	5-11-94	JMV
	B	ADDED NEW CYL. INSTR. PLT. ON SHIT. 2: 98B002I	02/19/96	MDK/GRL
	C	PG2-ADDED *F NOTE 99B0443	9/14/99	KWL/GWT

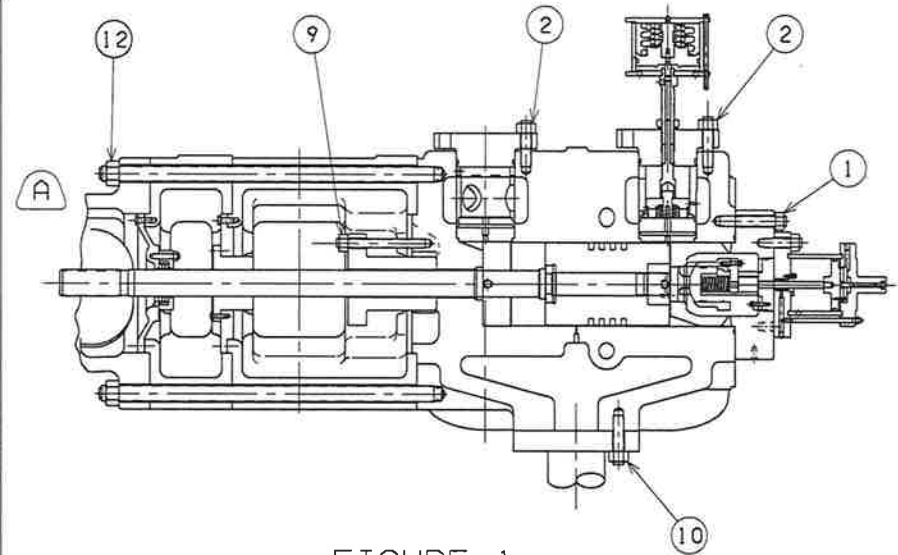


FIGURE 1

CHG TO: 29C 109 124C 149C

		<b>DR DRESSER-RAND</b> TULSA, OKLAHOMA 74146		
THIRD ANGLE PROJECTION	DATE	SIZE	STROKE	TYPE
DRAWN D. J. CHICUORKA	12/23/93	15.00	6.00	HOS
CHECKED G. R. LORTIE	DATE 12/23/93	NAME OF PART CYLINDER INSTRUCTIONS		
APPROVED G. R. LORTIE	DATE 12/23/93	SIZE/FEDERAL SUPPLY CODE B	DRAWING NO. R82120A-008	REV. C
UNLESS OTHERWISE SPECIFIED, ALL DIMENSIONS ARE IN INCHES		SCALE	NTS	WT.

SHEET 3 OF 3

D

C

B

A

DWG NO. R82120A-004 SH 2

CUSTOMER : SEE LEAD SHEET  
ORDER NO. : SEE LEAD SHEET  
FRAME SERIAL NO(S.): SEE LEAD SHEET

REVISIONS				
ZONE	REV	DESCRIPTION	DATE	APPROVED
FOR REV. SEE 3 OF 3				

9.50" AC / PF48

NOTE:  
1) SEE LEAD SHEET FOR  
NAMEPLATE STAMPING INFO.

ORIGINAL WITHOUT RIDER BANDS

NYO: NA  
S/N: NA  
DRAWINGS  
CYLINDER: G12199  
PISTON: H49973P1  
VALVES: MLH56190BG1 INLET  
CLEAR. CALC. BY:

NAME: G. LORTIE  
DATE: 12/2/93

NOTE: PISTON AND ROD WEIGHT  
TO BE STAMPED ON NAMEPLATE  
AFTER ASSEMBLY HAS BEEN  
WEIGHED.

**DRESSER-RAND**  
GAS FIELD COMPRESSORS

CYLINDER TYPE		HOS		SERIAL NO	
NOMINAL BORE		LINERED BORE		STROKE	
9.50 IN 241.3 MM	IN	MM	6.00 IN 152.4 MM		
RATED DISCHARGE PRESS.	1150	PSIG	80.86	KG/CM <sup>2</sup>	
MAX. ALLOW. WORKING PRESS.	1265	PSIG	88.94	KG/CM <sup>2</sup>	
HYDROSTATIC TEST PRESS.	1900	PSIG	133.6	KG/CM <sup>2</sup>	
MAX. COOLING WATER PRESS.		PSIG		KG/CM <sup>2</sup>	
MAX. ALLOW. DISCH. GAS TEMP.	350	°F	177	°C	
MAXIMUM SPEED	1200 RPM				
BASE CYLINDER CLEARANCE	OUTER END	FRAME END			
	17.1 X	17.8 X			
NORMAL LINEAL CLEARANCE	.09 IN 2.3 MM	.06 IN 1.5 MM			
ADDED FIXED CLEARANCE	IN <sup>3</sup>	MM <sup>3</sup>	IN <sup>3</sup>	MM <sup>3</sup>	

ALWAYS GIVE SERIAL NO. WHEN ORDERING SPARE PARTS

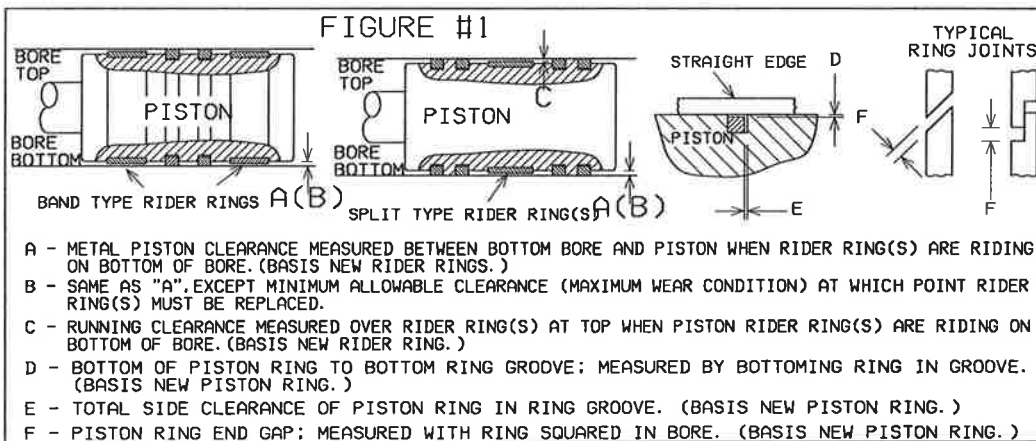
MADE IN U.S.A. HDZP0001

CYLINDER SIZE	FRAME END CLEARANCE	OUTER END CLEARANCE
9.50	.043 .082	.064 .123

CYLINDER SIZE	NUMBER OF LUBRICATION FEEDS			
	CYLINDER TOP	CYLINDER BOTTOM	PACKING	OTHER
9.50	1	1	1	NONE

- FULL LUBE  
 MIN. LUBE  
 NL

PISTON DIAMETER AND MATERIAL	REFER TO FIGURE #1 FOR CLEARANCE LOCATION AND DESCRIPTION						PISTON/RIDER RING MATERIAL AND TYPE
	A	B	C	D	E	F	
9.50 1 PIECE CAST IRON	.033 TO .024	.010	.034 TO .020		.015 TO .011	.095 TO .067	(COMBO RING) 2-PC GR. 12 THERMOPLASTIC (ORANGE)



CHG TO: 16C 29C 124C 149C

		<b>DR DRESSER-RAND</b> TULSA, OKLAHOMA 74148	
THIRD ANGLE PROJECTION	SIZE	STROKE	TYPE
DRAWN D. J. CHICUORKA	9.50	6.00	HOS
CHECKED G. R. LORTIE	DATE 12/23/93	NAME OF PART CYLINDER INSTRUCTIONS	
APPROVED G. R. LORTIE	DATE 12/23/93	SIZE	FEDERAL SUPPLY CODE
		B	
		DWG NO.	REV.
		R82120A-004	B
SCALE	NTS	WT.	SHEET 2 OF 3

D

C

B

A

# DRESSER-RAND CYLINDER INSTRUCTIONS

## SPECIAL CYLINDER BOLTING TORQUE VALUES

CUSTOMER: SEE LEAD SHEET

ORDER NO.: SEE LEAD SHEET

### CYLINDER SERIAL NUMBERS

SEE LEAD SHEET

DESCRIPTION (REFER TO FIGURE 1)	REF. NO. SEE FIGURE 1	BOLT SIZE (INCHES)	FINAL ASSY. & HELIUM TEST STRESS PSI (MPA)	FINAL ASSY. & HELIUM TEST TORQUE FT. LBS. (N-M)	HYDRO TEST STRESS PSI (MPA)	HYDRO TEST TORQUE FT. LBS. (N-M)
CYLINDER TO OUTER HEAD	1	1.000	25,000	220 (300)		
CYLINDER TO VALVE COVER	2	1.000	25,000	220 (300)		
VALVE COVER SET SCREW (INLET)	3					
VALVE COVER SET SCREW (DISCH)	4					
CYLINDER TO FRAME HEAD	5					
CYLINDER TO DISTANCE PIECE	6					
FRAME HD. TO DISTANCE PIECE	7					
DISTANCE PC. TO DISTANCE PC.	8					
FRAME HD. TO PACKING	9	.625	20,000	44 (60)		
INLET & DISCHARGE FLANGE	10	1.000	20,000	175 (237)		
RAM COVER	11					
CYLINDER TIE ROD	12	1.500	40,000	1230 (1670)		

THE TABLE ABOVE REFERS TO SPECIAL TORQUES FOR COMPRESSOR CYLINDER BOLTING ILLUSTRATED ON FIGURE 1.

NOT ALL LOCATIONS ARE USED ON ALL CYLINDER DESIGNS.  
"SEE TIGHTENING INSTRUCTIONS" IN CHAPTER 5 OF THE INSTRUCTION BOOK.

DWG NO.

SH

2

1

### REVISIONS

ZONE	REV	DESCRIPTION	DATE	APPROVED
	A	ADDED A & B ON PG 2. REVISED FIGURES ON PG 3 94B0256	5-11-94	JMV
	B	ADDED NEW CYL. INSTR. PLT. ON SHT. 2: 98B0021	02/19/96	MDK/GRL

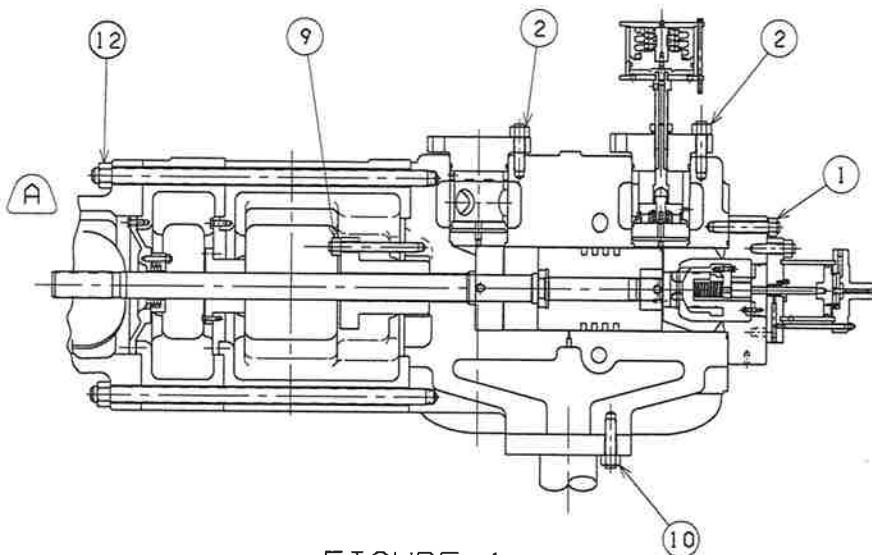


FIGURE 1

CHG TO: 16C 29C 124C 149C

		<b>DR DRESSER-RAND</b> TULSA, OKLAHOMA 74146	
THIRD ANGLE PROJECTION	DATE 12/23/93	SIZE 9.50	STROKE 6.00
DRAWN D. J. CHICUORKA	DATE 12/23/93	TYPE HOS	
CHECKED G. R. LORTIE	DATE 12/23/93	NAME OF PART CYLINDER INSTRUCTIONS	
APPROVED G. R. LORTIE	DATE 12/23/93	SIZE B	FEDERAL SUPPLY CODE R82120A-004
UNLESS OTHERWISE SPECIFIED, ALL DIMENSIONS ARE IN INCHES		DRAWING NO. R82120A-004	REV. B
SCALE	NTS	WT.	SHEET 3 OF 3

D

C

B

A

DWG NO. R82120A-002 SH 2

CUSTOMER : SEE LEAD SHEET  
ORDER NO. : SEE LEAD SHEET  
FRAME SERIAL NO(S.) : SEE LEAD SHEET

REVISIONS				
ZONE	REV	DESCRIPTION	DATE	APPROVED
FOR REV. SEE 3 OF 3				

6.00" AC / PF48

NOTE:  
1) SEE LEAD SHEET FOR  
NAMEPLATE STAMPING INFO.

ORIGINAL WITHOUT RIDER BANDS

NYO: NA

S/N: NA

DRAWINGS

CYLINDER: G12196

PISTON: H50084P6

VALVES: MLH56190BG1 INLET

CLEAR. CALC. BY:

NAME: G. LORTIE

DATE: 12/2/93

NOTE: PISTON AND ROD WEIGHT  
TO BE STAMPED ON NAMEPLATE  
AFTER ASSEMBLY HAS BEEN  
WEIGHED.

**DRESSER-RAND**  
GAS FIELD COMPRESSORS

<b>CYLINDER TYPE</b>	HOS	<b>SERIAL NO</b>	
NOMINAL BORE	6.00 IN 152.4 MM	LINERED BORE	6.00 IN 152.4 MM
RATED DISCHARGE PRESS.	1750 PSIG	123.04	KG/CM <sup>2</sup> G
MAX. ALLOW. WORKING PRESS.	1925 PSIG	135.35	KG/CM <sup>2</sup> G
HYDROSTATIC TEST PRESS.	2890 PSIG	203.2	KG/CM <sup>2</sup> G
MAX. COOLING WATER PRESS.			KG/CM <sup>2</sup> G
MAX. ALLOW. DISCH. GAS TEMP.	350 °F	177 °C	
MAXIMUM SPEED	1200 RPM		
BASE CYLINDER CLEARANCE	OUTER END 24.8 %	FRAME END 29.9 %	
NORMAL LINEAL CLEARANCE	.09 IN 2.3 MM	.06 IN 1.5 MM	
ADDED FIXED CLEARANCE			

ALWAYS GIVE SERIAL NO. WHEN ORDERING SPARE PARTS

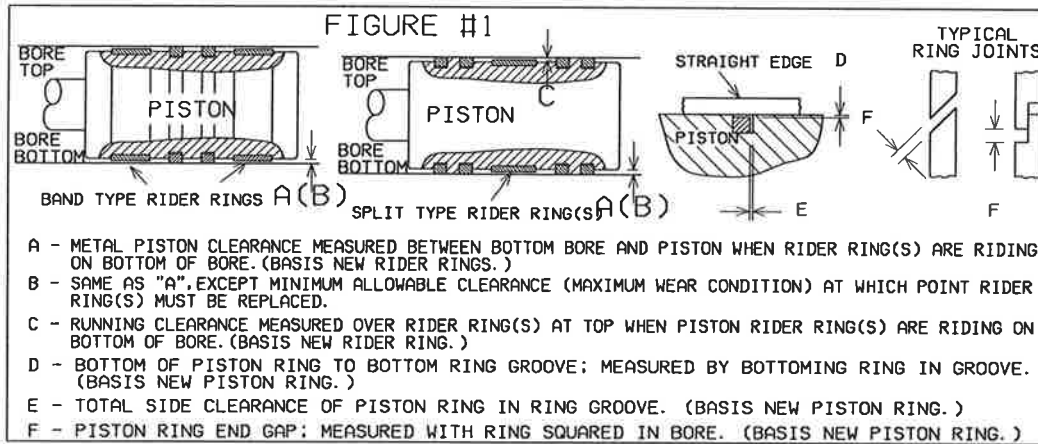
MADE IN U.S.A. HDZP0001

CYLINDER SIZE	FRAME END CLEARANCE	OUTER END CLEARANCE
6.00	.043 .082	.064 .123

CYLINDER SIZE	NUMBER OF LUBRICATION FEEDS			
	CYLINDER TOP	CYLINDER BOTTOM	PACKING	OTHER
6.00	1	1	1	NONE

- FULL LUBE  
 MIN. LUBE  
 NL

PISTON DIAMETER AND MATERIAL	REFER TO FIGURE #1 FOR CLEARANCE LOCATION AND DESCRIPTION						PISTON/RIDER RING MATERIAL AND TYPE
	A	B	C	D	E	F	
6.00 1 PIECE CAST IRON	.034 TO .025	.010	.026 TO .012		.013 TO .009	.062 TO .042	(COMBO RING) 2-PC GR. 12 THERMOPLASTIC (ORANGE)



CHG TO: 16C 29C 124C 149C

		<b>DR DRESSER-RAND</b> TULSA, OKLAHOMA 74146	
THIRD ANGLE PROJECTION	SIZE 6.00	STROKE 6.00	TYPE HOS
DRAWN D. J. GRANNIS	DATE 1/13/94	NAME OF PART	
CHECKED G. R. LORTIE	DATE 1/13/94	CYLINDER INSTRUCTIONS	
APPROVED G. R. LORTIE	DATE 1/13/94	SIZE B	FEDERAL SUPPLY CODE
		DWG NO. R82120A-002	REV. B
SCALE	NTS	WT.	SHEET 2 OF 3

D

C

B

A

# DRESSER-RAND CYLINDER INSTRUCTIONS

## SPECIAL CYLINDER BOLTING TORQUE VALUES

CUSTOMER: SEE LEAD SHEET      ORDER NO.: SEE LEAD SHEET

### CYLINDER SERIAL NUMBERS

SEE LEAD SHEET

DESCRIPTION (REFER TO FIGURE 1)	REF. NO. SEE FIGURE 1	BOLT SIZE (INCHES)	FINAL ASSY. & HELIUM TEST STRESS PSI (MPA)	FINAL ASSY. & HELIUM TEST TORQUE FT. LBS. (N-M)	HYDRO TEST STRESS PSI (MPA)	HYDRO TEST TORQUE FT. LBS. (N-M)
CYLINDER TO OUTER HEAD	1	1.125	25,000	330 (450)		
CYLINDER TO VALVE COVER	2	1.000	25,000	220 (300)		
VALVE COVER SET SCREW (INLET)	3					
VALVE COVER SET SCREW (DISCH)	4					
CYLINDER TO FRAME HEAD	5					
CYLINDER TO DISTANCE PIECE	6					
FRAME HD. TO DISTANCE PIECE	7					
DISTANCE PC. TO DISTANCE PC.	8					
FRAME HD. TO PACKING	9	.750	20,000	76 (103)		
INLET & DISCHARGE FLANGE	10	1.125	20,000	260 (355)		
RAM COVER	11					
CYLINDER TIE ROD	12	1.500	40,000	1230 (1670)		

THE TABLE ABOVE REFERS TO SPECIAL TORQUES FOR COMPRESSOR CYLINDER BOLTING ILLUSTRATED ON FIGURE 1.  
 NOT ALL LOCATIONS ARE USED ON ALL CYLINDER DESIGNS.  
 "SEE TIGHTENING INSTRUCTIONS" IN CHAPTER 5 OF THE INSTRUCTION BOOK.

REVISIONS				
ZONE	REV	DESCRIPTION	DATE	APPROVED
	A	ADDED A & B ON PG 2. REVISED FIGURES ON PG 3 94B0243	5-11-94	JMV
	B	ADDED NEW CYL. INSTR. PLT. ON SHT. 2: 96B002I	02/19/96	MDK/GRL

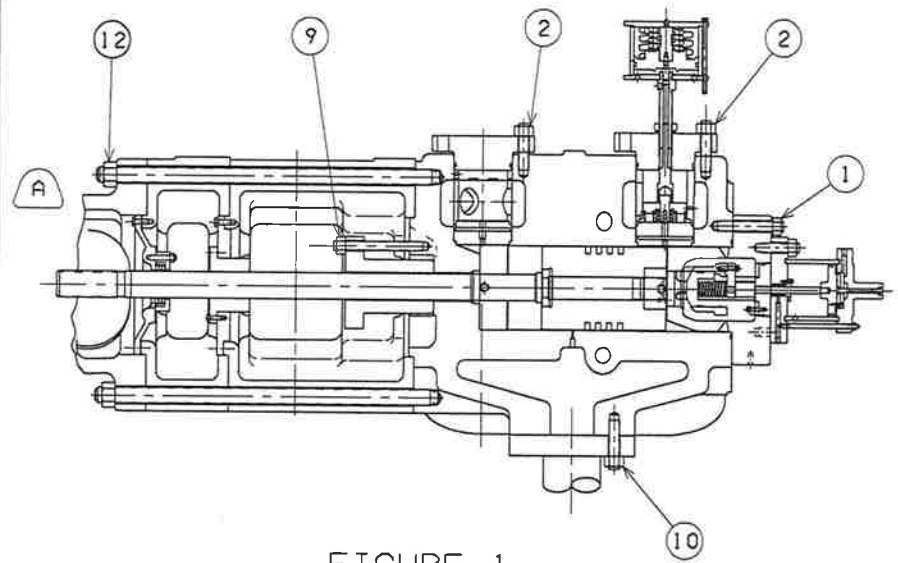


FIGURE 1

CHG TO: 16C 29C 124C 149C

		<b>DR DRESSER-RAND</b> TULSA, OKLAHOMA 74146		
THIRD ANGLE PROJECTION	SIZE	STROKE	TYPE	
DRAWN D. J. GRANNIS	6.00	6.00	HOS	
CHECKED G. R. LORTIE	DATE 1/13/94	NAME OF PART CYLINDER INSTRUCTIONS		
APPROVED G. R. LORTIE	DATE 1/13/94	SIZE FEDERAL SUPPLY CODE	DRAWING NO. R82120A-002	REV. B
UNLESS OTHERWISE SPECIFIED, ALL DIMENSIONS ARE IN INCHES		SCALE	NTS	WT.

SHEET 3 OF 3





# **SERVICE MANUAL**

## **6.0-INCH STROKE TYPE HOS NATURAL GAS COMPRESSOR**

**15.0 / 9.5 / 6.0 X 6HOS4**

**PROPAK SYSTEMS LTD.  
AEC EAST**

**D-R GFC ORDER NO. C1621**

**UNIT SERIAL NUMBERS:  
FRAME: 6HF854  
CYLINDERS: 6HC2657 / 2658 / 2659**

# **DRESSER-RAND**

## **Gas Field Compressors**

**FEB. 2001**

REV. 5/02  
REV. 8/01

# PARTS LIST

FRAME 6HOS4

6HF854

REV. 01

ILLUS. NO.	PART NUMBER	PART NAME	K I T	UNITS PER ASSEMBLY	U M B E R	SPARES USAGE CODE
	.MLAAHK0401G1	FRAME & GEAR 6HOS4		1.00	PC	
	.ML11373230G1	COVER FR PUMP END		1.00	PC	
	.MLWAZA2402G1	FILTER OIL STD		1.00	PC	
	.W106865	+COOLER FR RDS 4 6TH		1.00	PCM	
	.MLH50032CG1	CYLINDER BALANCE		1.00	PC	
	.MLW140338G6	WEIGHT XHD BAL		1.00	PC	

REV. 05/02

+SEE ACCESSORY LITERATURE SECTION

## **PARTS LIST**

**THIS PAGE IS  
INTENTIONALLY  
LEFT BLANK**

# PARTS LIST

FRAME & GEAR 6HOS4

MLAAHK0401G1

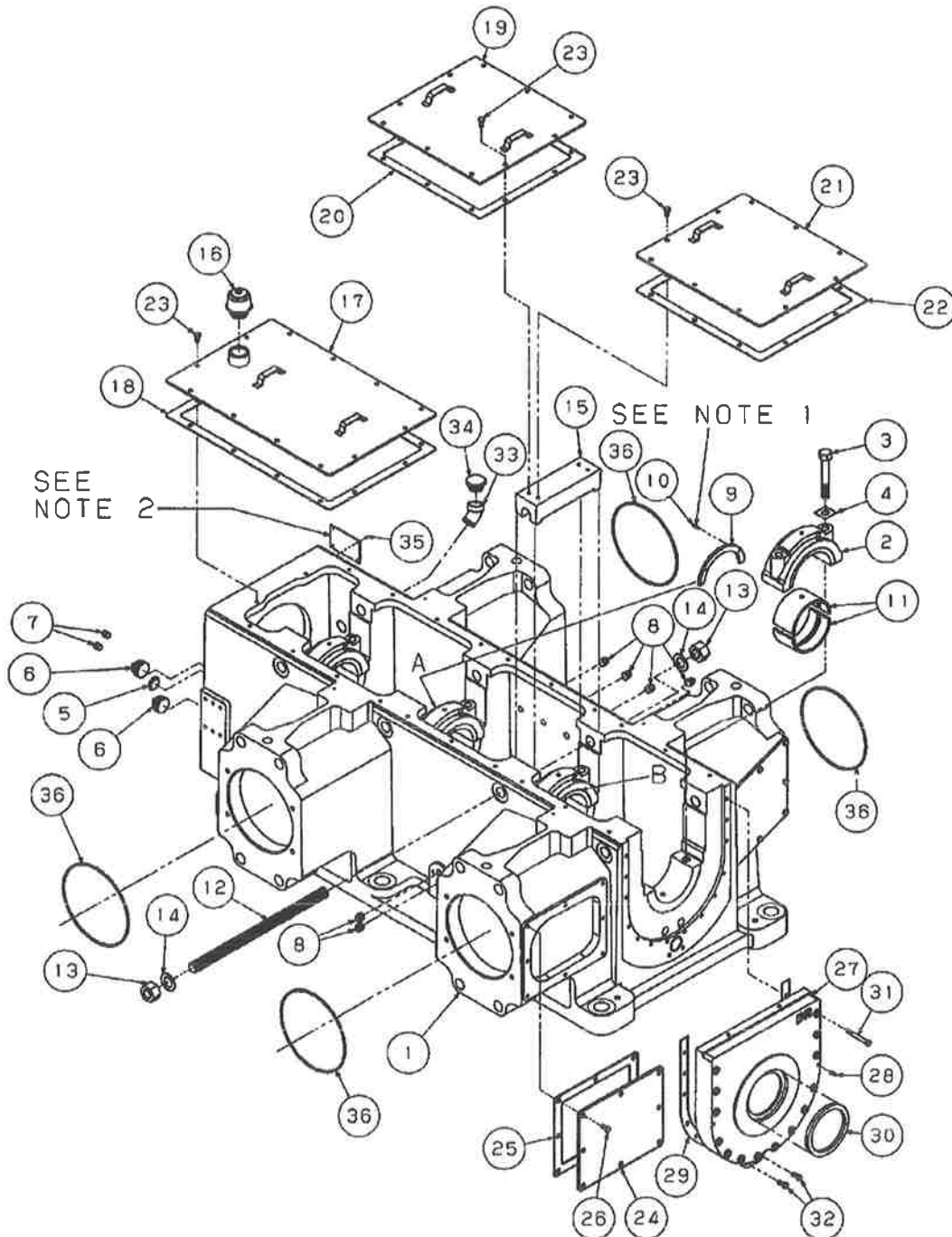
REV. 02B0235

ILLUS. NO.	PART NUMBER	PART NAME	K I T	UNITS PER ASSEMBLY	U M E R S	SPARES USAGE CODE
	.MLAAHA4001G1	FRAME 6HOS4/6DVIP4		1.00	PC	
	.MLBAHA4001G1	CRANKSHAFT 6HOS4		1.00	PC	
	.MLH52699G6	CONNROD		4.00	PC	
	.MLH54288G12	CROSSHEAD		4.00	PCM	
	.MLFAZA4001G1	PUMP OIL SUB ASSY		1.00	PC	
	.MLH50006G1	PUMP PRIMING		1.00	PC	
	.ADHP0001	NAMEPLATE FRAME		1.00	PC	

+SEE ACCESSORY LITERATURE SECTION

# PARTS LIST

## FRAME ASSEMBLY



### NOTES:

- 1) ASSEMBLE ITEM 10 THRUST SHOES ON MAIN BRG CAPS AS INDICATED BY ARROWS TO A AND B SHOWN  
SEE BELOW FOR DETAILS  
- INSTALL THE ROLLPIN IN THE MAIN BRG CAP AND INSURE THE PROJECTION OF THE PIN  
IS .38 (MAX) OUT OF THE CAP (INTO THE SHOE)  
- LOCATE THE THRUST SHOE ON THE ROLLPINS, FOR ASSEMBLY
- 2) SEE FRAME LEAD SHEET FOR PROPER NAMEPLATE

# PARTS LIST

FRAME 6HOS4/6DVIP4

MLAAHA4001G1

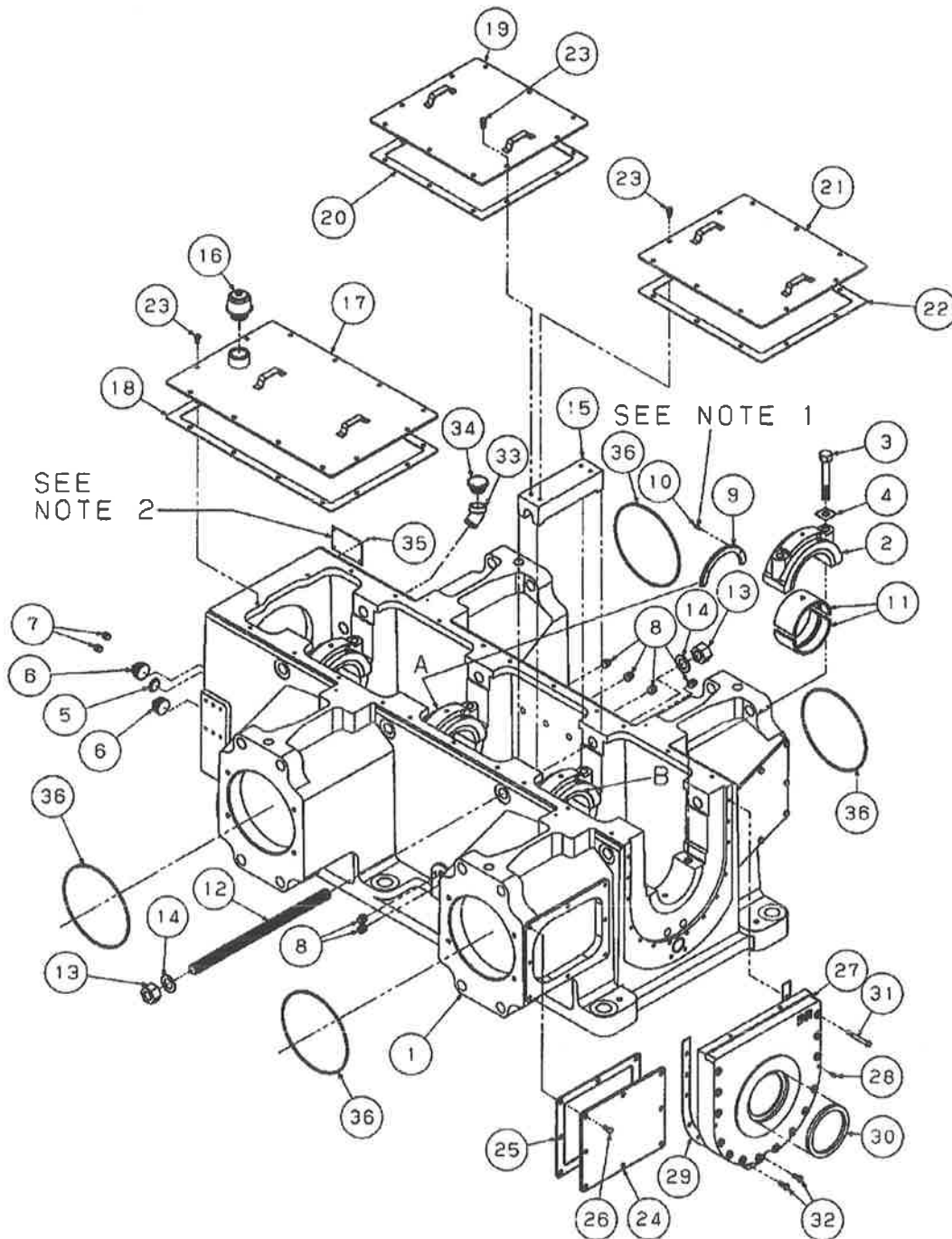
REV. 01B0862

ILLUS. NO.	PART NUMBER	PART NAME	UNITS PER ASSEMBLY	QUAN- TITY	SPARES USAGE CODE
	.MLAAHK4101G1	FRAME 6HOS 6DVIP4	1.00	PC	
11	.EAZK2001	BEARING MAIN	4.00	PC	
	.1W139460	TIEROD MAIN BRG	4.00	PC	
12	..46A4K14	NUT HVY HEX	2.00	PC	
13	..X1016T6	WASHER	2.00	PC	
15	.R16912AP2	SPACER TIE ROD	4.00	PC	
16	.W82559	BREATHER FR RDS HOS	1.00	PCOEM	
17	.MLRAZM4001G1	COVER FRAME TOP	1.00	PC	
18	.VAZM4001	GASKET FR TOP CVR	1.00	PCROCEM	
19	.MLRAZM4002G1	COVER FRAME TOP	1.00	PC	
20	.VAZM4002	GASKET FR TOP CVR	1.00	PCROCEM	
21	.MLRAZM4003G1	COVER FRAME TOP	1.00	PC	
22	.VAZM4003	GASKET FRAME TOP	1.00	PCROCEM	
23	.35A2C217	CAPSCREW	32.00	PC	
24	.W102367A	COVER FRAME XHD EXT	4.00	PC	
25	.W30768B	GASKET	4.00	PCROCEM	
26	.35A2C217	CAPSCREW	32.00	PC	
	.RCZK0003	COVER OIL RING	1.00	PC	
27	..RCZM0002	COVER OIL RING	1.00	PC	
28	..25A13C289	ROLLPIN	2.00	PC	
29	.VAZM0002	GASKET OIL RING CVR	1.00	PCROCEM	
30	.W76556C	SEAL CKSFT HO RDS	1.00	PCROCEM	
31	.35A2C232	CAPSCREW	14.00	PC	
32	.35A2C219	CAPSCREW	2.00	PCOEM	
33	.68A7M8	ELBOW 45 DEG ST	1.00	PC	
34	.W9954	PLUG OIL FILLER	1.00	PC	
35	.122A2S78	DRIVESCREW	4.00	PC	
		/SEE FRAME LEAD			
		/SHEET FOR PROPER			
		/NAMEPLATE			
36	.20A11CM279	ORING	4.00	PCROCEM	

+SEE ACCESSORY LITERATURE SECTION

# PARTS LIST

## FRAME ASSEMBLY



NOTES:

- 1) ASSEMBLE ITEM 10 THRUST SHOES ON MAIN BRG CAPS AS INDICATED BY ARROWS TO A AND B SHOWN  
SEE BELOW FOR DETAILS
  - INSTALL THE ROLLPIN IN THE MAIN BRG CAP AND INSURE THE PROJECTION OF THE PIN IS .38 (MAX) OUT OF THE CAP (INTO THE SHOE)
  - LOCATE THE THRUST SHOE ON THE ROLLPINS. FOR ASSEMBLY
- 2) SEE FRAME LEAD SHEET FOR PROPER NAMEPLATE



# PARTS LIST

FRAME 6HOS 6DVIP4

MLAAHK4101G1

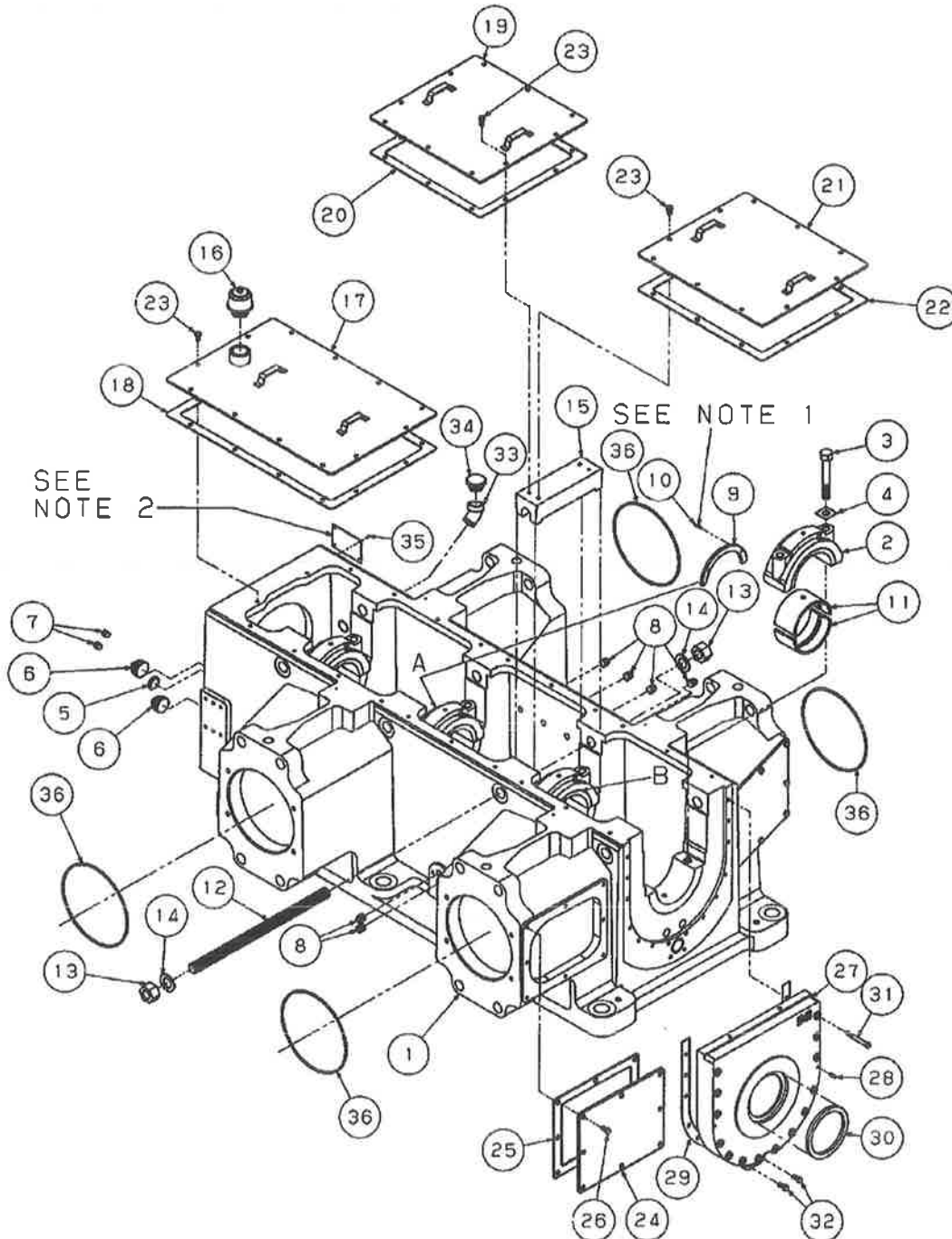
REV. 01B0235

ILLUS. NO.	PART NUMBER	PART NAME	K I T	UNITS PER ASSEMBLY	P C M	SPARES USAGE CODE
	.MLAAHK4201G1	FRAME 6HOS DVIP4		1.00	PC	
3	.W36756	BOLT MN BRG CAP		8.00	PC	
4	.W29804	BOLT LOCK		8.00	PC	
5	.W82537	GAUGE OIL LEVEL		1.00	PCM	
6	.30A7S10	PIPE PLUG		2.00	PC	
7	.11021946	PIPE PLUG		2.00	PC	
8	.11021953	PIPE PLUG		6.00	PC	
	.1EFZP2001	THRUST SHOE		2.00	PCM	

+SEE ACCESSORY LITERATURE SECTION

# PARTS LIST

## FRAME ASSEMBLY



### NOTES:

- 1) ASSEMBLE ITEM 10 THRUST SHOES ON MAIN BRG CAPS AS INDICATED BY ARROWS TO A AND B SHOWN  
SEE BELOW FOR DETAILS
  - INSTALL THE ROLLPIN IN THE MAIN BRG CAP AND INSURE THE PROJECTION OF THE PIN IS .38 (MAX) OUT OF THE CAP (INTO THE SHOE)
  - LOCATE THE THRUST SHOE ON THE ROLLPINS, FOR ASSEMBLY
- 2) SEE FRAME LEAD SHEET FOR PROPER NAMEPLATE

# PARTS LIST

FRAME 6HOS DVIP4

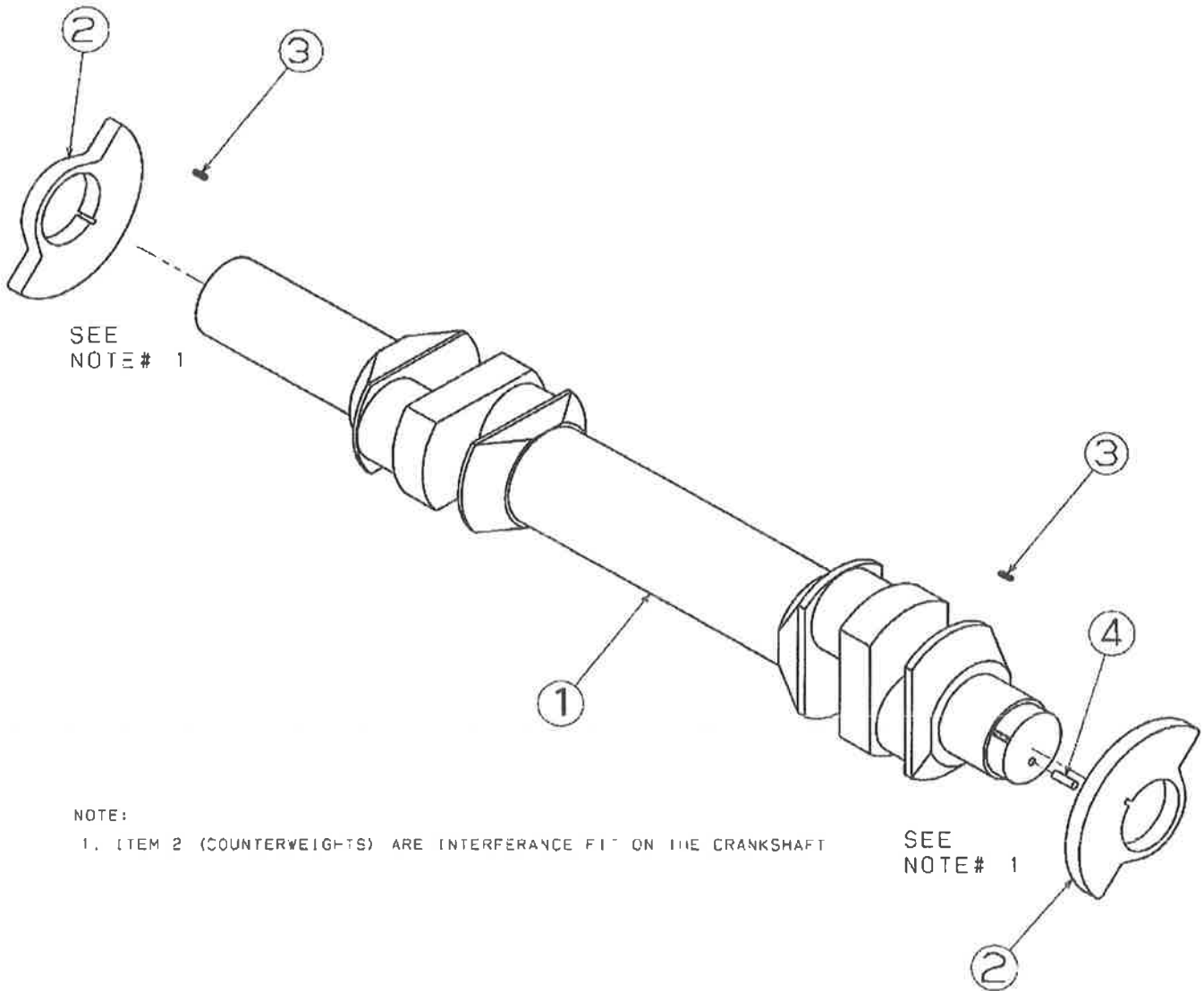
MLAAHK4201G1

REV. 01B0325

ILLUS. NO.	PART NUMBER	PART NAME	KIT	UNITS PER ASSEMBLY	QTY	SPARES USAGE CODE
1	.AAHM4001	FRAME COMPRESSOR		1.00	PC	
	.ABHM2402	CAP MAIN BEARING		4.00	PC	
+SEE ACCESSORY LITERATURE SECTION						

# PARTS LIST

## CRANKSHAFT ASSEMBLY - 6HOS4



NOTE:

1. ITEM 2 (COUNTERWEIGHTS) ARE INTERFERENCE FIT ON THE CRANKSHAFT

SEE  
NOTE# 1

BAHA4001

# PARTS LIST

**CRANKSHAFT 6HOS4**

**MLBAHA4001G1**

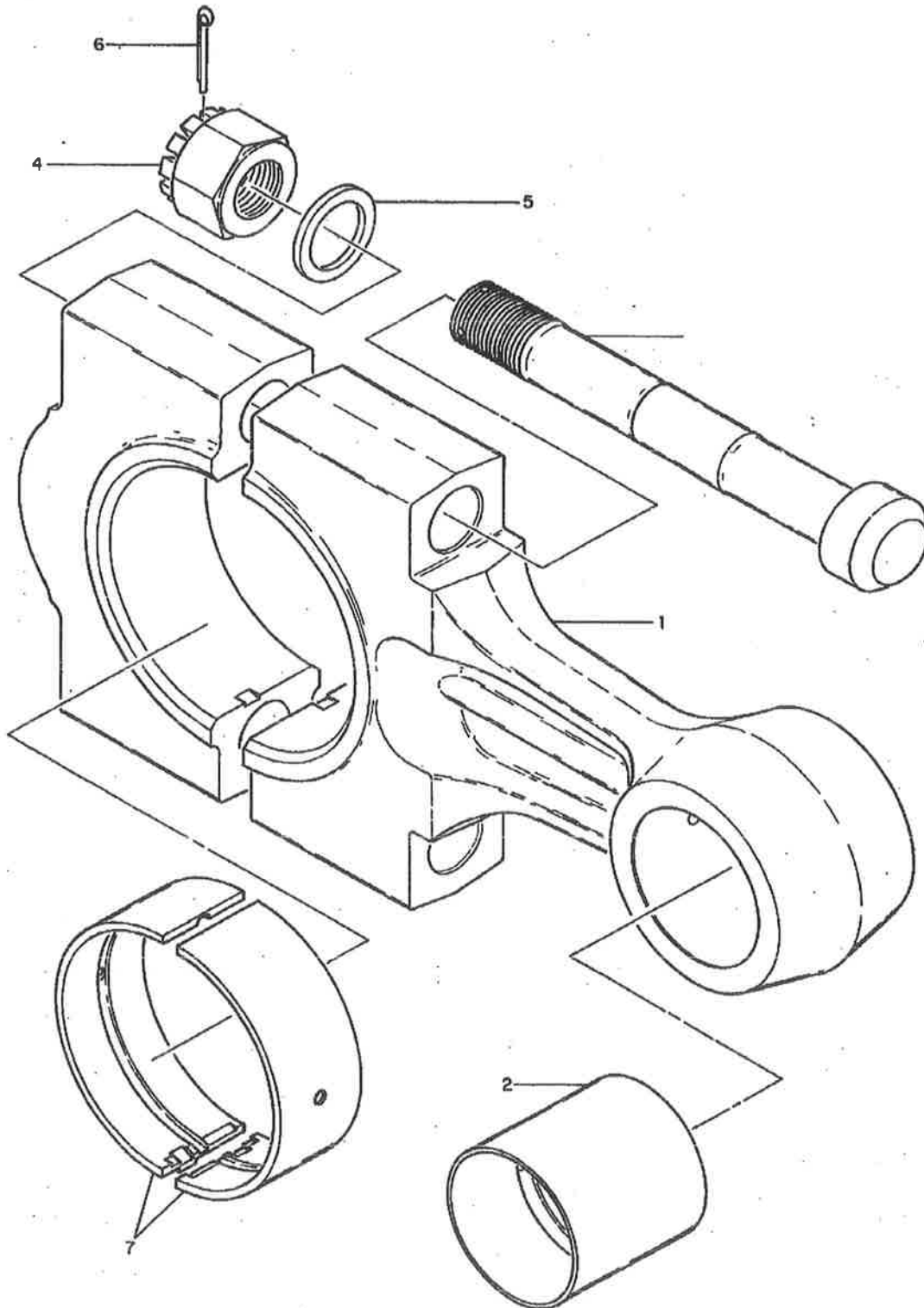
**REV. 01B0594**

ILLUS. NO.	PART NUMBER	PART NAME	KIT	UNITS PER ASSEMBLY	UNITS	SPARES USAGE CODE
1	.BAHK4001	CRANKSHAFT 6HOS4		1.00	PC	
4	.17A13A414	DOWEL PIN		1.00	PC	

+SEE ACCESSORY LITERATURE SECTION

# PARTS LIST

## CONNECTING ROD



H52699

# PARTS LIST

CONNROD

MLH52699G6

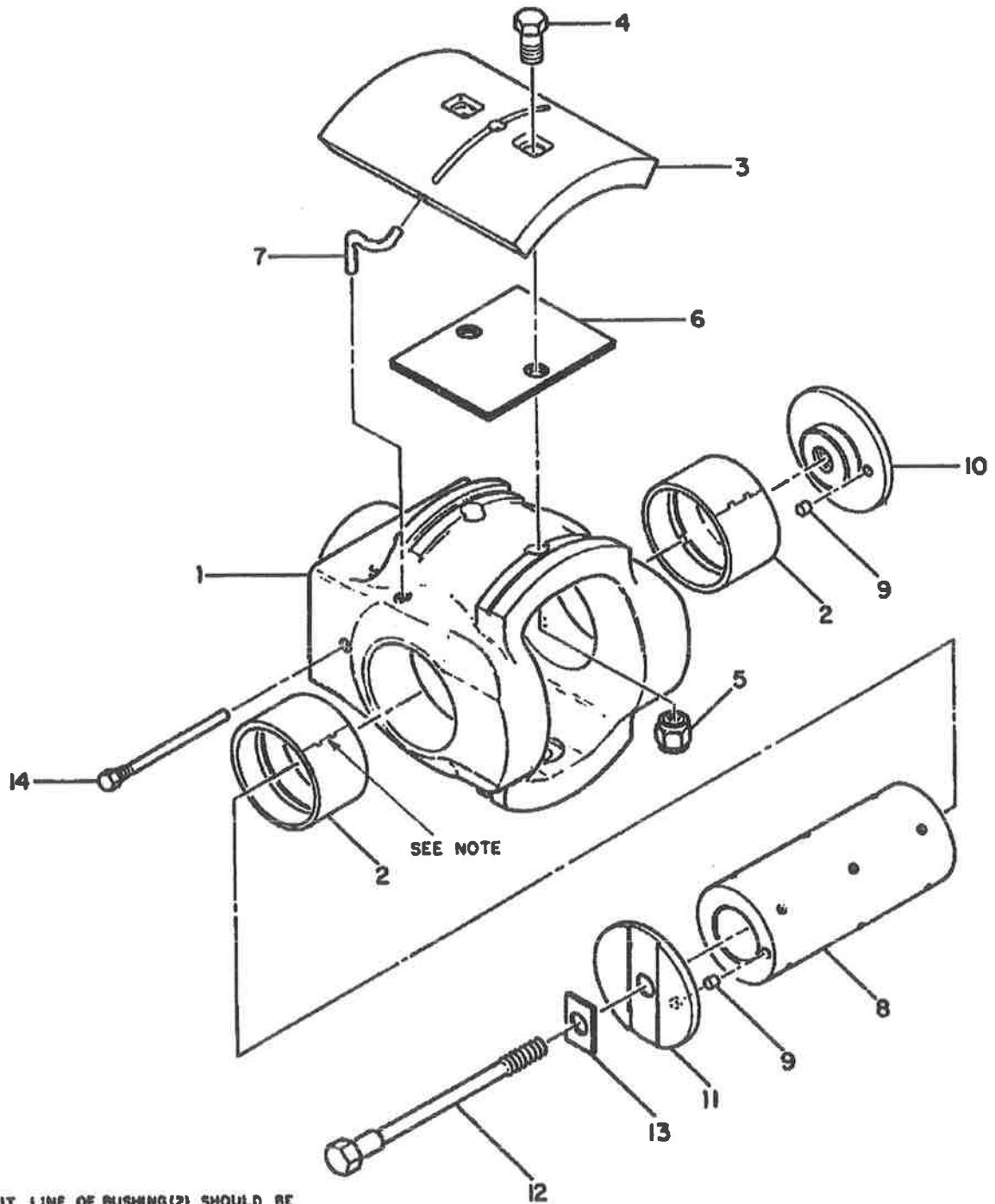
REV. 01

ILLUS. NO.	PART NUMBER	PART NAME	KIT	UNITS PER ASSEMBLY	QTY	SPARES USAGE CODE
1	.1F32150A	CONNECTING ROD HOS		1.00		PCM
2	..EBHP0001	BUSHING CONN ROD		1.00		PCOEM
3	..1R74322	BOLT CONNROD		2.00		PCEM
4	...R74323	NUT CONNROD BOLT		1.00		PCEM
5	...W86526	WASHER BOLT NUT		1.00		PCOEM
6	...11A13C88E	COTTER PIN		1.00		PCOEM
7	.12531562	BEARING CONNROD		1.00		PCOEM

+SEE ACCESSORY LITERATURE SECTION

# PARTS LIST

## CROSSHEAD



**NOTE:**  
SPLIT LINE OF BUSHING(2) SHOULD BE  
90° FROM NOSE OF CROSSHEAD, WHILE  
MAINTAINING ALIGNMENT OF OIL HOLES.



# PARTS LIST

CROSSHEAD

MLH54288G12

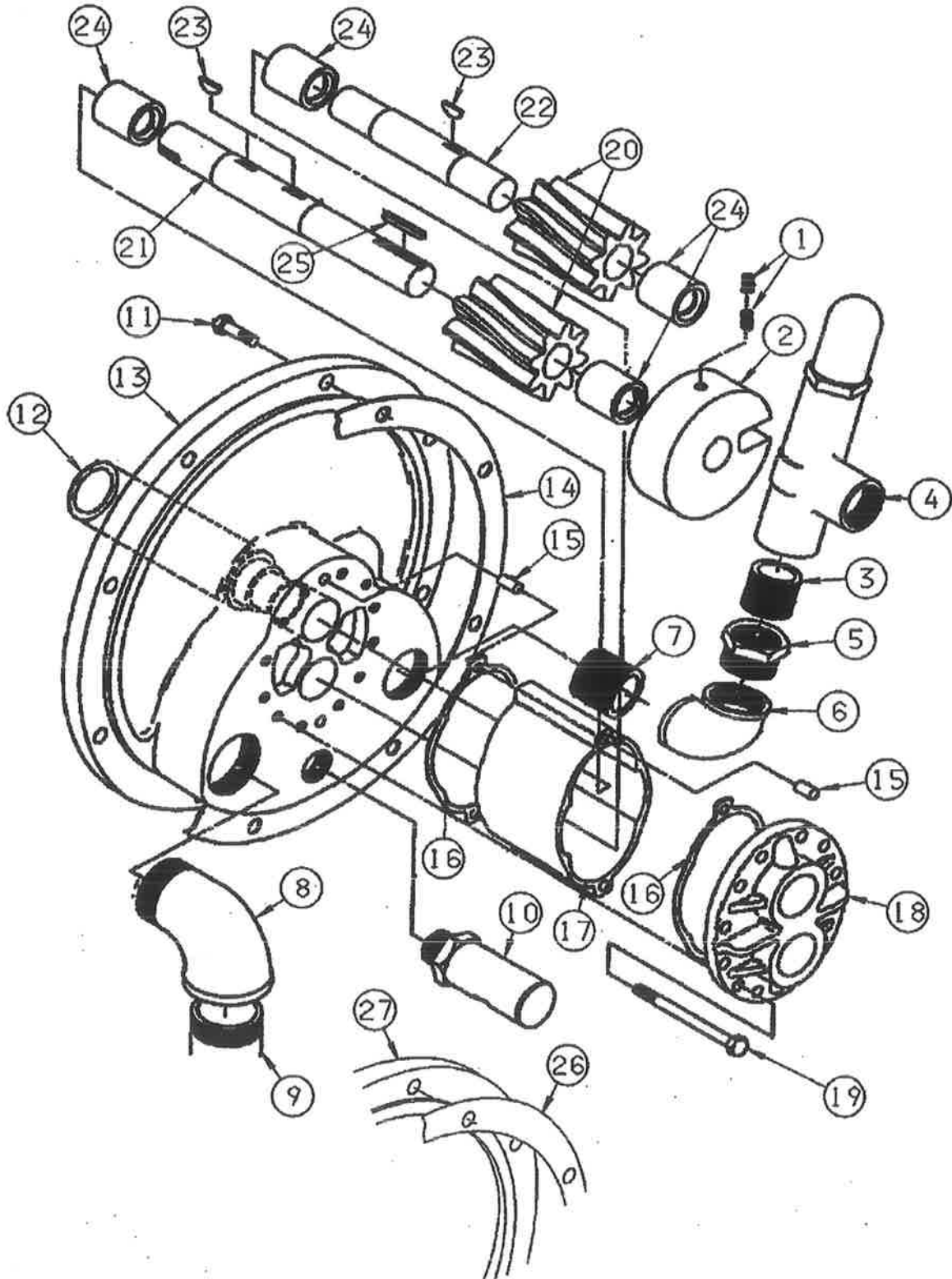
REV. 93B0218

ILLUS. NO.	PART NUMBER	PART NAME	K I T	UNITS PER ASSEMBLY	UNITS	SPARES USAGE CODE
1	.1H49923C	CROSSHEAD		1.00		PCM
	..R71921A	BUSHING CROSSHEAD		2.00		PCDEM
3	.1H27213B	SHOE CROSSHEAD		2.00		PCDEM
4	..W98039	BOLT		2.00		PCDEM
5	..W122156	NUT		2.00		PCDEM
6	..2VG493	SHIM SET		1.00		PCROCEM
7	.W145445	PIPE XHD OIL HOS		2.00		PC
8	.R71923	PIN CROSSHEAD		1.00		PCDEM
9	.29A13F106	PIN DRIV-LOK		2.00		PCROCEM
10	.W28027	CAP TAPPED PIN		1.00		PCEM
11	.W25452	CAP DRILLED PIN		1.00		PCEM
12	.W25453	BOLT		1.00		PCEM
13	.W28028	BOLT LOCK		1.00		PCEM

+SEE ACCESSORY LITERATURE SECTION

# PARTS LIST

## OIL PUMP SUBASSEMBLY



# PARTS LIST

PUMP OIL SUB ASSY

MLFAZA4001G1

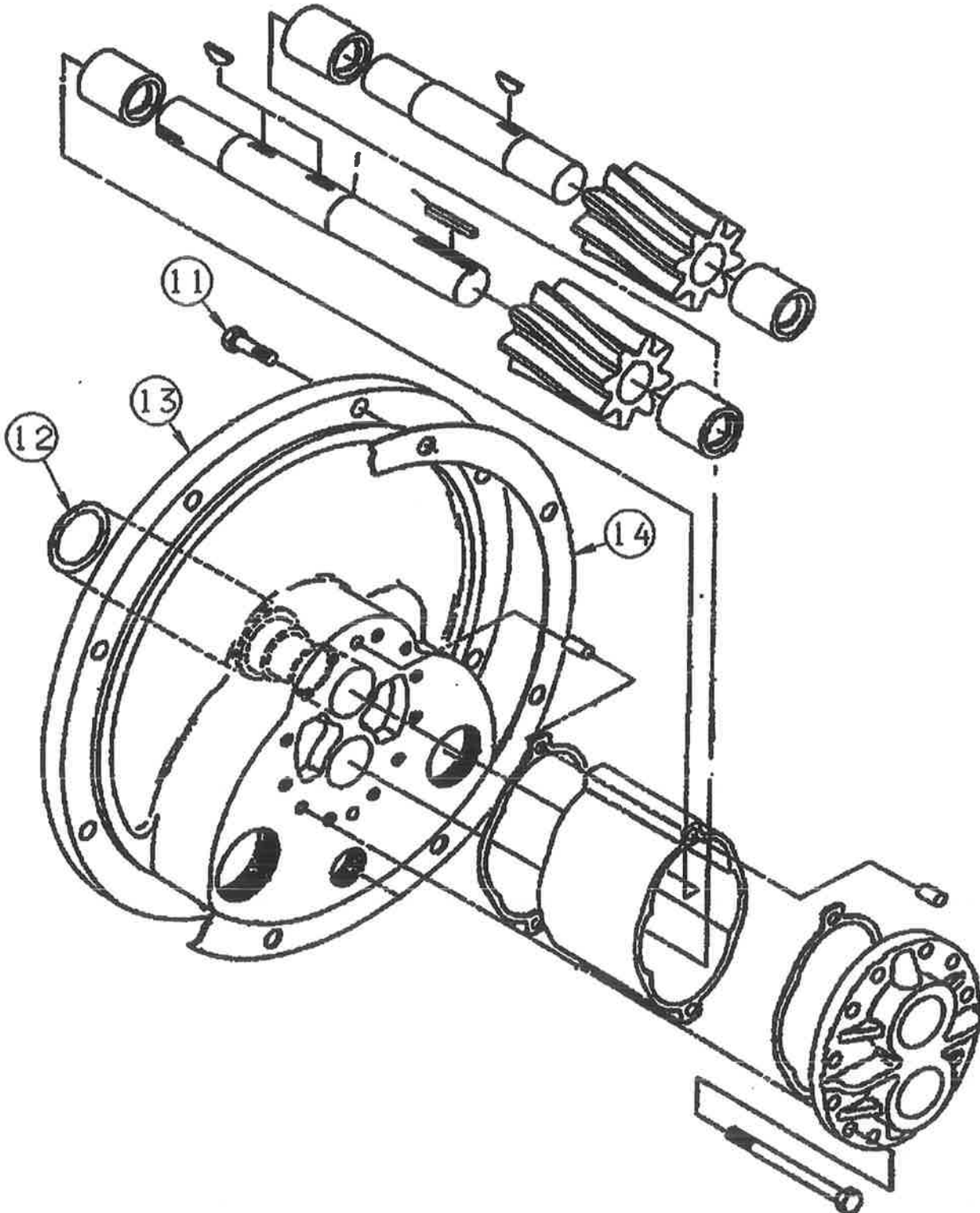
REV. 99B0478

ILLUS. NO.	PART NUMBER	PART NAME	K I T	UNITS PER ASSEMBLY	U M F A S	SPARES USAGE CODE
1	.109A2A47	SETSCREW HEX SKT		2.00		PCEM
2	.W86236P1	HUB HOS		1.00		PC
3	.1.25SCH80J2.0C	NIPPLE		1.00		PC
4	.W82718	+VALVE RLF PUMP OIL		1.00		PCM
5	.23A7M21	BUSHING REDUCING		1.00		PC
6	.65A7M8	ELBOW 90 DEGREE		1.00		PC
7	.1.5SCH80J2.2C	NIPPLE		1.00		PC
8	.67A7M9	ELBOW 90 DEG ST		1.00		PC
9	.1UEHW0002	PIPE SUCTION		1.00		PC
10	.W63792	+VALVE RELIEF		1.00		PCM
	.MLFAZA4002G1	PUMP OIL SUB ASSY		1.00		PC

+SEE ACCESSORY LITERATURE SECTION

# PARTS LIST

## OIL PUMP SUBASSEMBLY



FAZA4002

# PARTS LIST

PUMP OIL SUB ASSY

MLFAZA4002G1

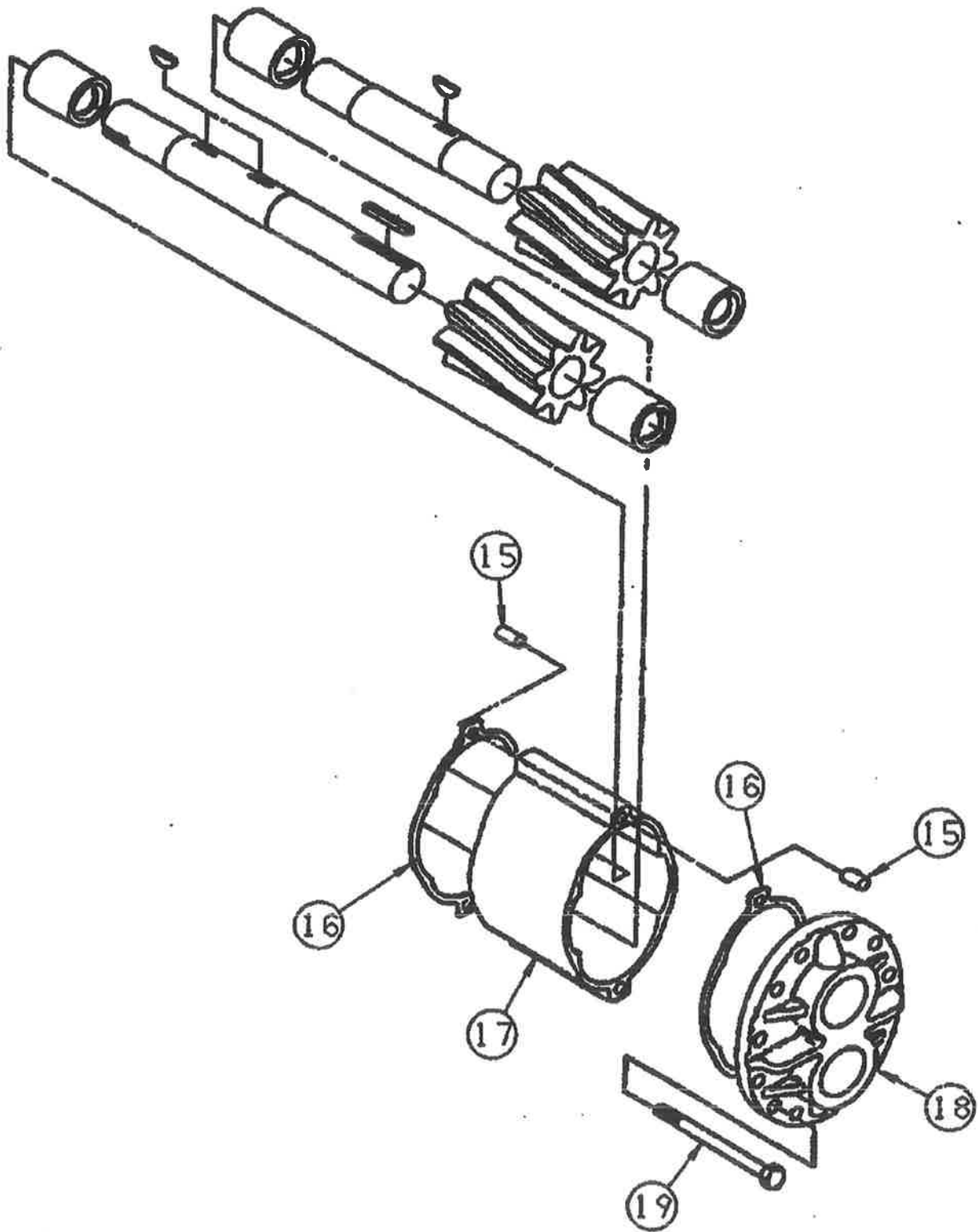
REV. 01

ILLUS. NO.	PART NUMBER	PART NAME	UNITS PER ASSEMBLY	QUANTITY	SPARES USAGE CODE
11	.35A2C219	CAPSCREW	8.00		PCOEM
12	.20A11CM328	ORING	1.00		PCROCEM
13	.1F17271B	COVER FRAME END	1.00		PC
14	..W31371P1	BUSHING OIL PUMP	2.00		PCOEM
14	.W76487	GASKET	1.00		PCROCEM
	.MLFAZA4003G1	PUMP OIL SUB ASSY	1.00		PC

+SEE ACCESSORY LITERATURE SECTION

# PARTS LIST

## OIL PUMP SUBASSEMBLY



# PARTS LIST

PUMP OIL SUB ASSY

MLFAZA4003G1

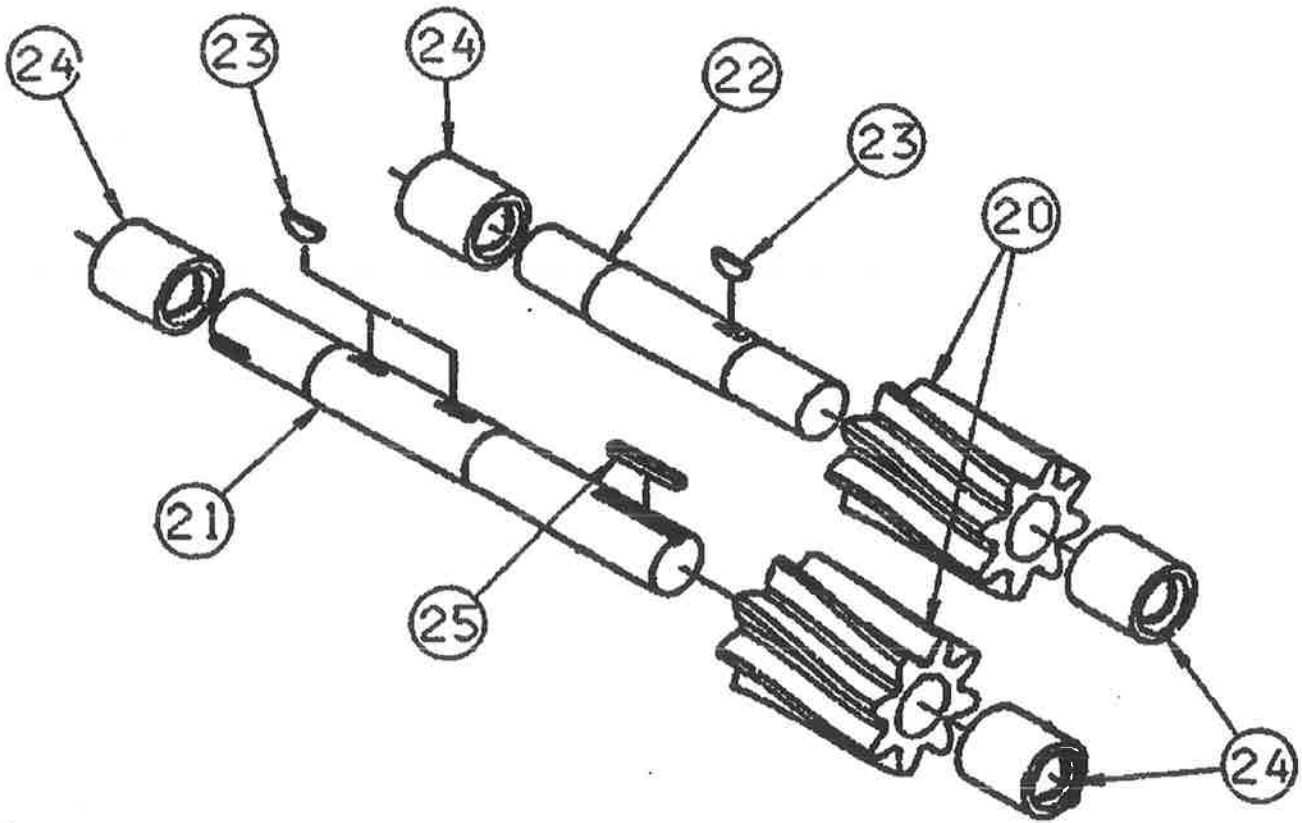
REV. 01B0696

ILLUS. NO.	PART NUMBER	PART NAME	K T	UNITS PER ASSEMBLY	LINE A B	SPARES USAGE CODE
15	.17A13A208	DOWEL PIN		4.00		PCROC
16	.R74379A	GASKET LUBO PUMP		2.00		PCROCEM
17	.1H52753A	BODY OIL PUMP		1.00		PC
18	..17A13A208	DOWEL PIN		4.00		PCROC
18	.1H26851B	HEAD OIL PUMP		1.00		PC
19	..W31371P1	BUSHING OIL PUMP		2.00		PCOEM
19	.35A2C129	CAPSCREW		12.00		PC
	.MLFAZA4004G1	PUMP OIL SUB ASSY		1.00		PC

+SEE ACCESSORY LITERATURE SECTION

# PARTS LIST

## OIL PUMP SUBASSEMBLY





# PARTS LIST

PUMP OIL SUB ASSY

MLFAZA4004G1

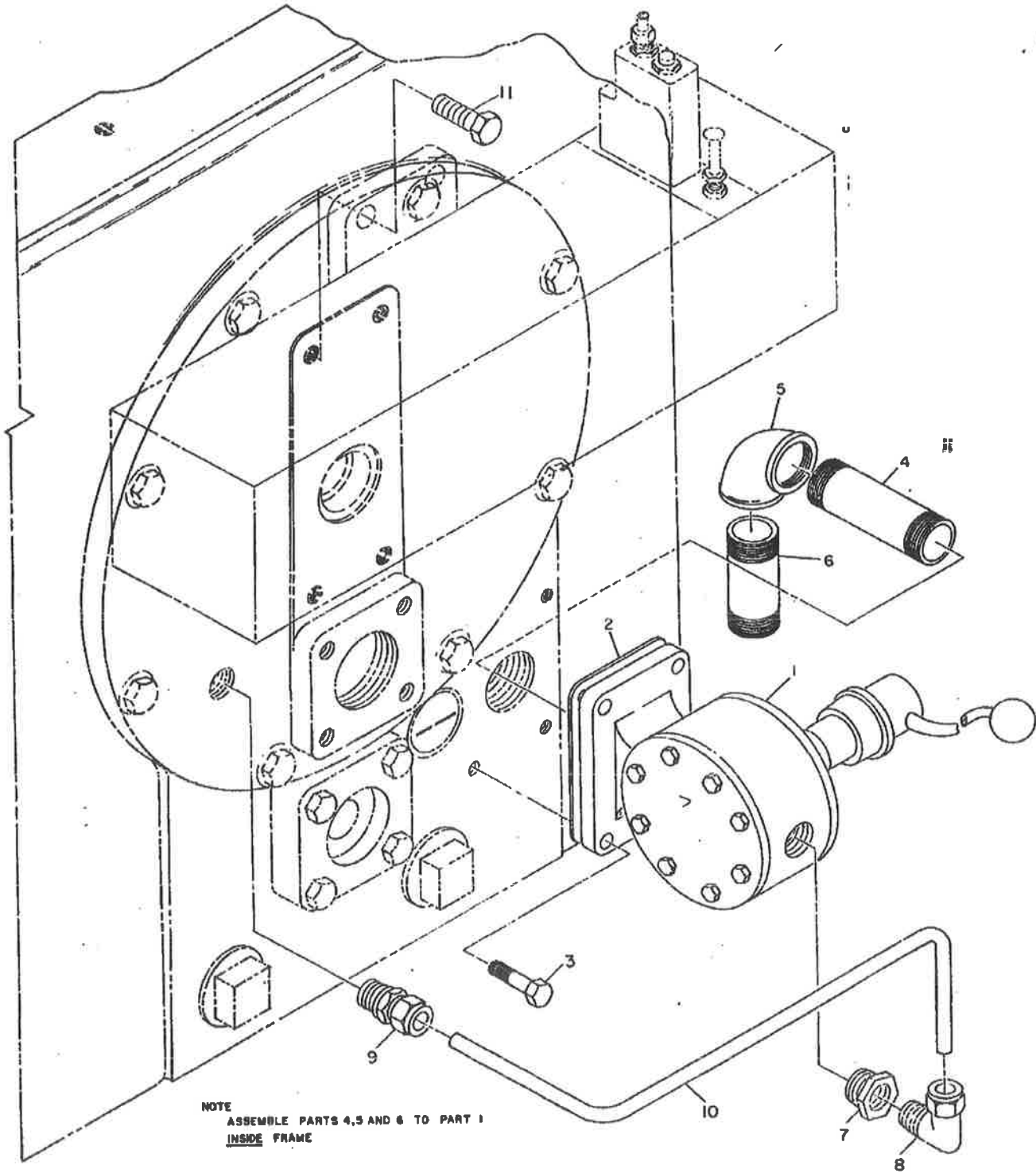
REV. 99B0206

ILLUS. NO.	PART NUMBER	PART NAME	K I T	UNITS PER ASSEMBLY	U N I T	SPARES USAGE CODE
23	.23A9C807	KEY		3.00	PCM	
24	.W31371P1	BUSHING OIL PUMP		4.00	PCOEM	
25	.11A9C83	KEY SQUARE		1.00	PCM	

\*SEE ACCESSORY LITERATURE SECTION

# PARTS LIST

## PRIMING PUMP



NOTE  
ASSEMBLE PARTS 4,5 AND 6 TO PART 1  
INSIDE FRAME

H50006

# PARTS LIST

**PUMP PRIMING**

**MLH50006G1**

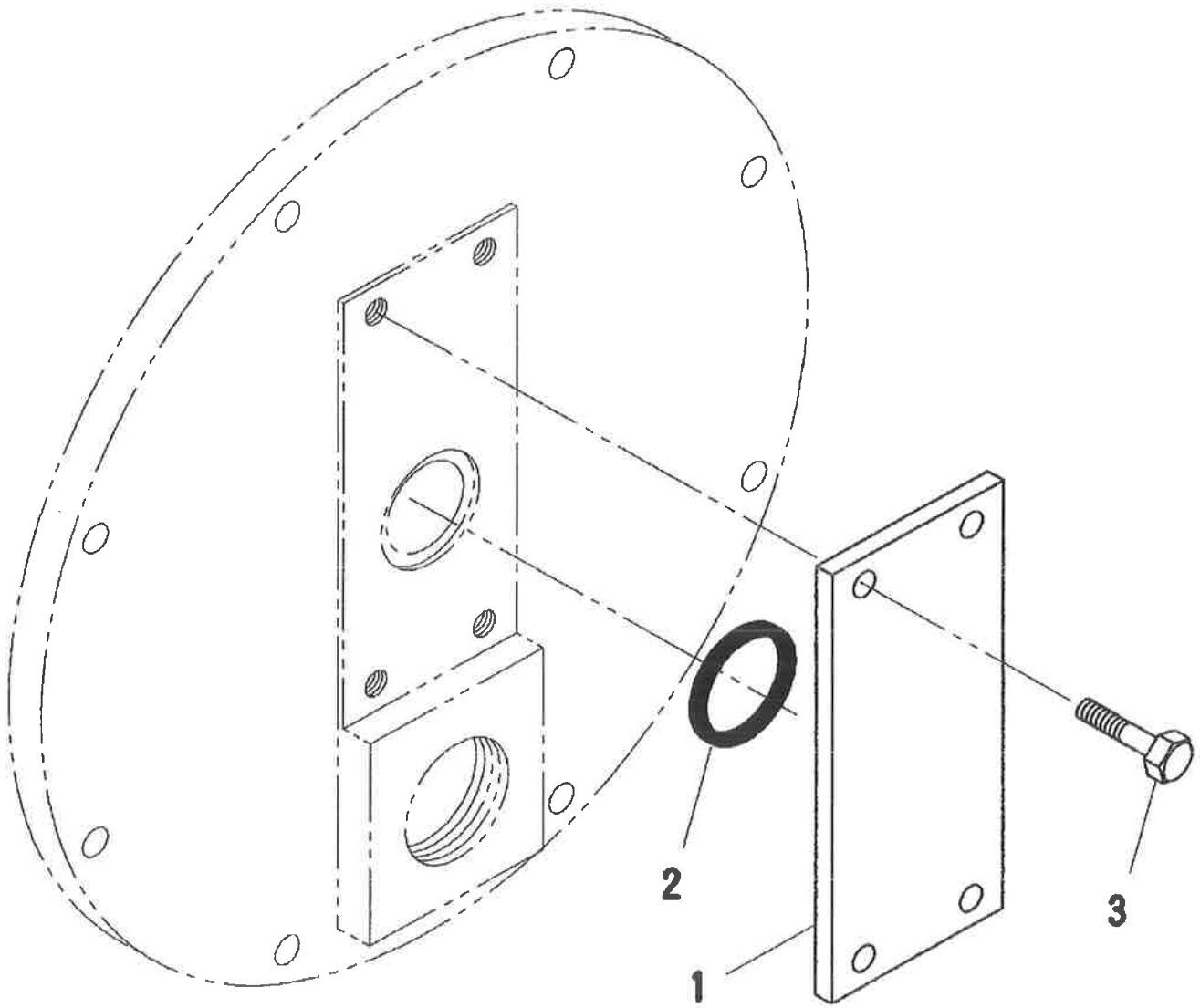
**REV. 01B1024**

ILLUS. NO.	PART NUMBER	PART NAME	KIT	UNITS PER ASSEMBLY	NUMBER	SPARES USAGE CODE
1	.W92433	+PUMP PRIMING		1.00		PCOEM
2	.W93326	GASKET		1.00		PCROCEM
3	.35A2C111	CAPSCREW		4.00		PC
4	.1SCH80J4.0C	NIPPLE		1.00		PC
5	.65A7M6	ELBOW 90 DEGREE		1.00		PC
6	.1SCH80J3.0C	NIPPLE		1.00		PC
7	.23A7M7	BUSHING REDUCING		1.00		PC
8	.428A10S15PA	ELBOW MALE		1.00		PC
9	.426A10S17PA	CONNECTOR MALE		1.00		PC
10	.12548061	TUBING 0.50X035W		24.00		IN
11	.35A2C221	CAPSCREW		4.00		PC

\*SEE ACCESSORY LITERATURE SECTION

# PARTS LIST

## FRAME PUMP END COVER



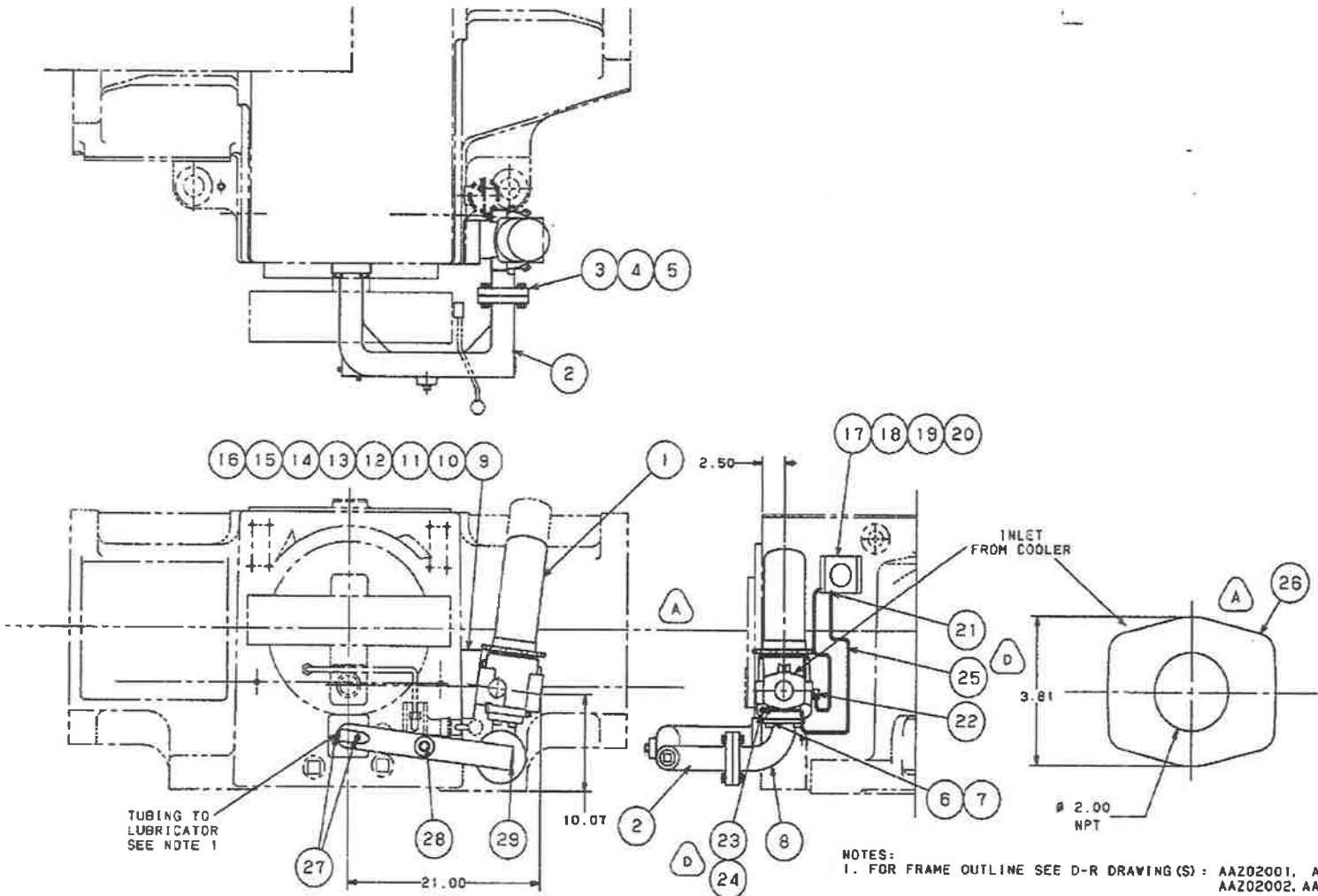
11373230

# PARTS LIST

COVER FR PUMP END		ML11373230G1	REV. 01		
ILLUS. NO.	PART NUMBER	PART NAME	UNITS PER ASSEMBLY	QUANTITY	SPARES USAGE CODE
1	.W129061	COVER LUBR DR	1.00	PC	
2	.20A11CM328	ORING	1.00	PC	ROCEM
3	.35A2C217	CAPSCREW	4.00	PC	
+SEE ACCESSORY LITERATURE SECTION					

# PARTS LIST

## OIL FILTER ASSEMBLY



NOTES:  
 1. FOR FRAME OUTLINE SEE D-R DRAWING(S) : AAZ02001, AAZ04001  
 AAZ02002, AAZ04002

2. TUBING & FITTINGS TO LUBRICATOR TO BE CONSISTENT  
 (MATERIAL & TYPE) WITH TUBING & FITTINGS SPECIFIED  
 UNDER NL GROUPING.

WAZA2402, REV. D

# PARTS LIST

FILTER OIL STD

MLWAZA2402G1

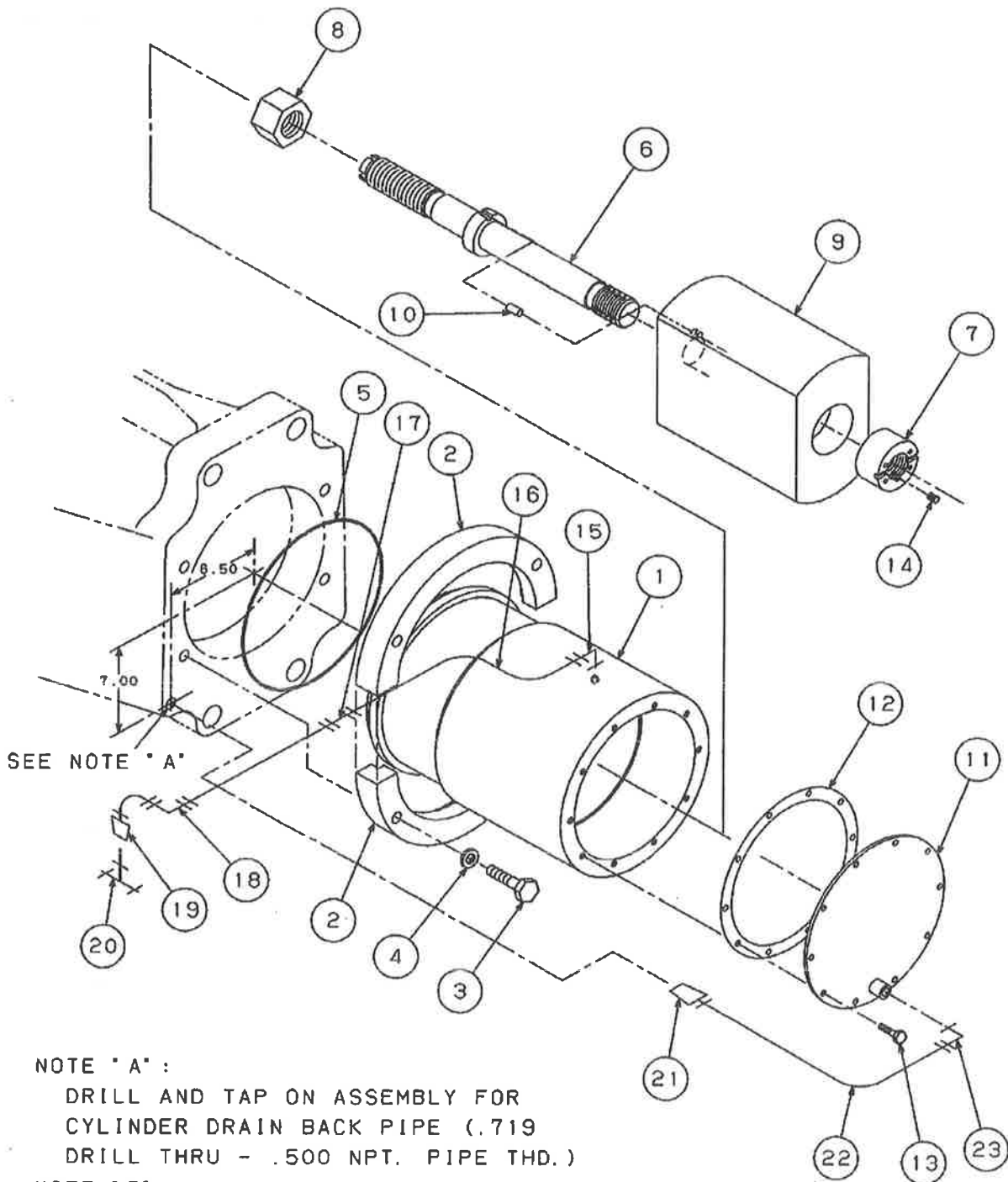
REV. 02B0209

ILLUS. NO.	PART NUMBER	PART NAME	K I T	UNITS PER ASSEMBLY	Q U A N T I T Y	SPARES USAGE CODE
		/THIS PART NUMBER /DOES NOT INCLUDE /THE 0.25" SHIM /NOR THE WEDGE /BLOCK NEEDED IF /CUSTOMER IS /RETROFITTING UNIT. /ALL HOS FRAMES /6HF800 AND HIGHER /USE THIS FILTER. /OK TO PROVIDE /CUSTOMER A COPY OF /THIS DRAWING FOR /ASSEMBLY.				
1	.WAZK0002 ..WAZP0002T1 ..WAZP0001T2 ..1300852	KIT OIL FILTER +FILTER OIL FLANGED ELEMENT OIL FILTER SEAL KIT FILTER		1.00PC 1.00PC 1.00PC 1.00PC		
2	.UHHM0001	HEADER FRAME OIL		1.00PC		
3	.VAZM0004	GASKET FILTER ADPT		1.00PC	ROCEM	
4	.35A2C224	CAPSCREW		4.00PC		
5	.38A4C5	NUT		4.00PC	OEM	
6	.VAZM0003	GASKET FILTER ADPT		1.00PC	ROCEM	
7	.143A2A81	CAPSCREW		4.00PC		
8	.UCHM0002	ELBOW FLANGED		1.00PC		
9	.35A2C229	CAPSCREW		4.00PC		
10	.WI29064	GASKET		1.00PC	ROCEM	
11	.SDHM0001	BRACKET FILTER SUP		1.00PC		
12	.35A2C220	CAPSCREW		4.00PC		
13	.12A5C6	WASHER		4.00PC		
14	.35A2C223	CAPSCREW		2.00PC	OEM	
15	.35A2C219	CAPSCREW		2.00PC	OEM	
16	.12A5C6	WASHER		4.00PC		
17	.20DPG-0S-30	GAUGE DIFF PRESS		1.00PC	OEM	
18	.50220708	BRACKET PRESS GAUGE		1.00PC		
19	.35A2C1	CAPSCREW		4.00PC	OEM	
20	.11A5C2	WASHER		4.00PC		
21	.427A10S04PA	CONNECTOR FEMALE		2.00PC		
22	.428A10S06PA	ELBOW MALE		1.00PC		
23	.432A10S05PA	TEE MALE RUN		1.00PC		
24	.400-P	PLUG CAP		1.00PC		
25	.33941501	TUBING 0.25X035W		60.00	IN	
26	.SP43-32-32	FILTER FLANGE 2NPT		1.00PC		
27	.11021920	PLUG PIPE		2.00PC		
28	.11021953	PIPE PLUG		1.00PC		
29	.40076101	PLUG PIPE		1.00PC		

+SEE ACCESSORY LITERATURE SECTION

# PARTS LIST

## BALANCE CYLINDER



NOTE \*A\* :  
DRILL AND TAP ON ASSEMBLY FOR  
CYLINDER DRAIN BACK PIPE (.719  
DRILL THRU - .500 NPT. PIPE THD.)

NOTE \*B\* :  
CONSULT FRAME LEAD SHEET FOR LOCATION ON FRAME.  
IF LOCATION IS NOT LISTED THEN  
CONTACT ENGINEERING.



# PARTS LIST

CYLINDER BALANCE

MLH50032CG1

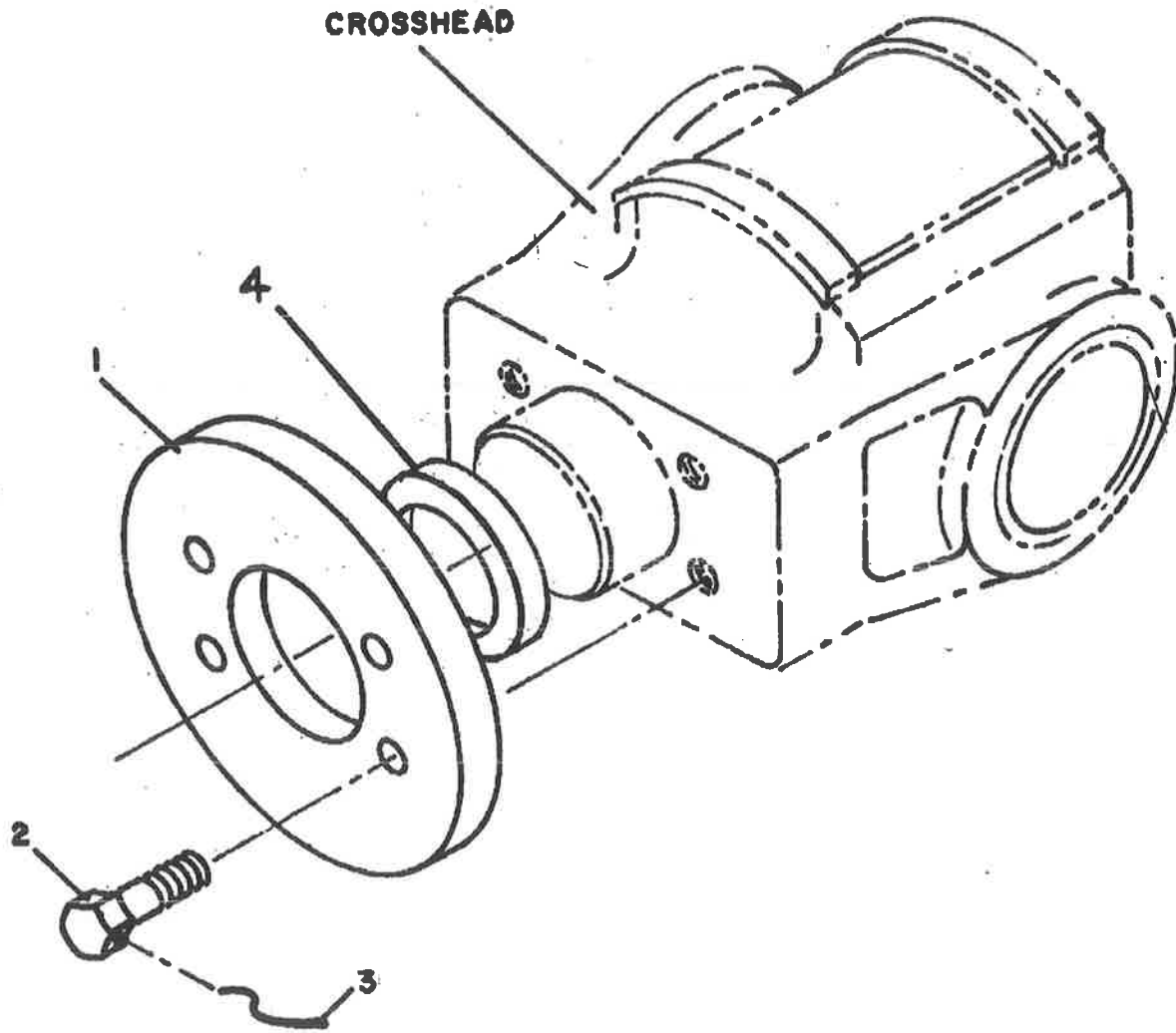
REV. 01B0884

ILLUS. NO.	PART NUMBER	PART NAME	UNITS PER ASSEMBLY	SPARES USAGE CODE
1	.H59608P1	BALANCE CYL 4.00	1.00PC	
2	.1H59609	RING LOCKING	1.00PC	
3	.35A2J382	CAPSCREW	4.00PC	
4	.12A5C9	WASHER	4.00PCOEM	
5	.20A11EM279	ORING	1.00PCROCEM	
	.12459228	PISTON 11.50 BALANCE	1.00PC	
6	..R72014	ROD BAL PSTN HOS	1.00PCM	
7	..W98966	NUT PISTON RDS	1.00PCM	
8	..X1010T12	NUT ROD LOCKING	1.00PCM	
9	..1H50029AP1	PISTON 11.50 BAL	1.00PC	
10	...25A13C329	ROLLPIN	1.00PC	
	..109A2A44	SETSCREW HEX SKT /TIGHTEN PISTON NUT /35 DEGREES PER /INSTRUCTION BOOK	1.00PCOEM	
11	.W139561P2	COVER CYL BAL WT	1.00PC	
12	.W139562P1	GASKET	1.00PCROCEM	
13	.35A2C219	CAPSCREW	20.00PCOEM	
14	.109A2A44	SETSCREW HEX SKT	1.00PCOEM	
15	.428A10S05E062	ELBOW MALE	1.00PC	
16	.33941501	TUBING 0.25X035W	96.00IN	
17	.437A10S03	UNION	2.00PC	
18	.430A10S04	ELBOW UNION	1.00PC	
19	.433A10S05	TEE MALE BRANCH	1.00PC	
20	.W149599T1	PLUG TUBE	1.00PC	
21	.426A10S20	CONNECTOR MALE	1.00PC	
22	.33942236	TUBING 0.62X065W	32.00IN	
23	.428A10S17	ELBOW MALE	1.00PC	

+SEE ACCESSORY LITERATURE SECTION

# PARTS LIST

## CROSSHEAD BALANCE WEIGHT



# PARTS LIST

WEIGHT XHD BAL

MLW140338G6

REV. 91B0492

ILLUS. NO.	PART NUMBER	PART NAME	QTY	UNITS PER ASSEMBLY	UNIT MEAS	SPARES USAGE CODE
1	.H49944T6	WEIGHT BALANCE		1.00	PC	
2	.35A2J377E	CAPSCREW		4.00	PC	
3	.X1636T062	LKWIRE STL .062		24.00	IN	ROCEM

\*SEE ACCESSORY LITERATURE SECTION

# PARTS LIST

INDEX

6HC2657

REV. 02B0287

JUN 21 2002

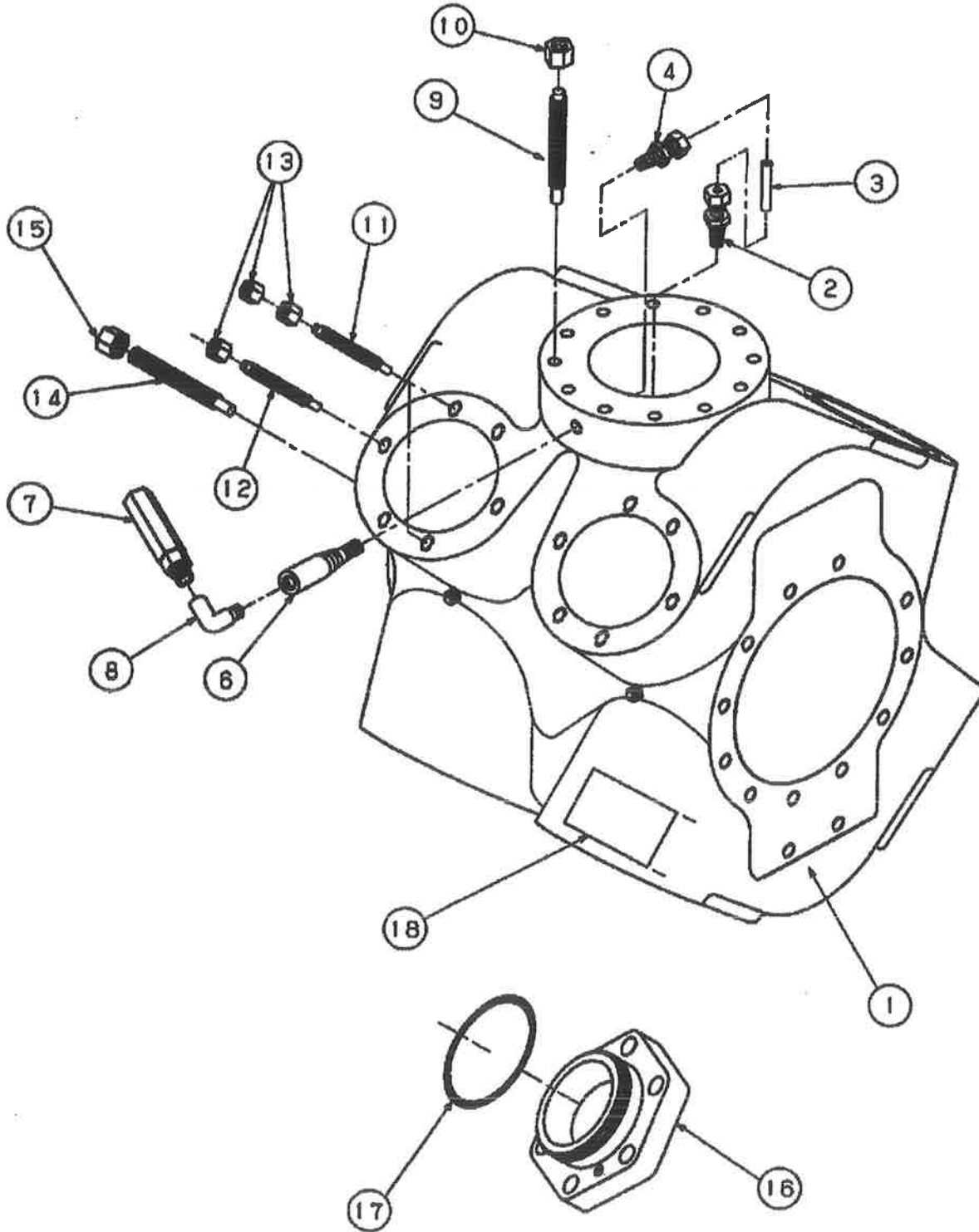
ILLUS. NO.	PART NUMBER	PART NAME	UNITS PER ASSEMBLY	U M E A S U R E S	SPARES USAGE CODE
	.MLHJHA1501G2	CYLINDER 15.00	1.00	PC	
	.MLH52503DG1	HEAD VVC PKT OUTER	1.00	PC	
	.MLH56039LG1	VALVE 67PF INLET	4.00	PC	
	.MLH56040JG1	VALVE 67PF DISCH	4.00	PC	
	.MLH50037G6	ACCESS VALVE	8.00	PC	
	.MLH59960BP1G1	PACKING LP PRGD	1.00	PC	
	.MLH50042DG19	PISTON 15.00 & ROD	1.00	PC	
	.MLGAHA0001G4	YOKE	1.00	PC	
	..MLH57758CG4	WIPER PRGD	1.00	PC	

99420

+SEE ACCESSORY LITERATURE SECTION

# PARTS LIST

## CYLINDER ASSEMBLY



HJHA1501

# PARTS LIST

CYLINDER 15.00

MLHJHA1501G2

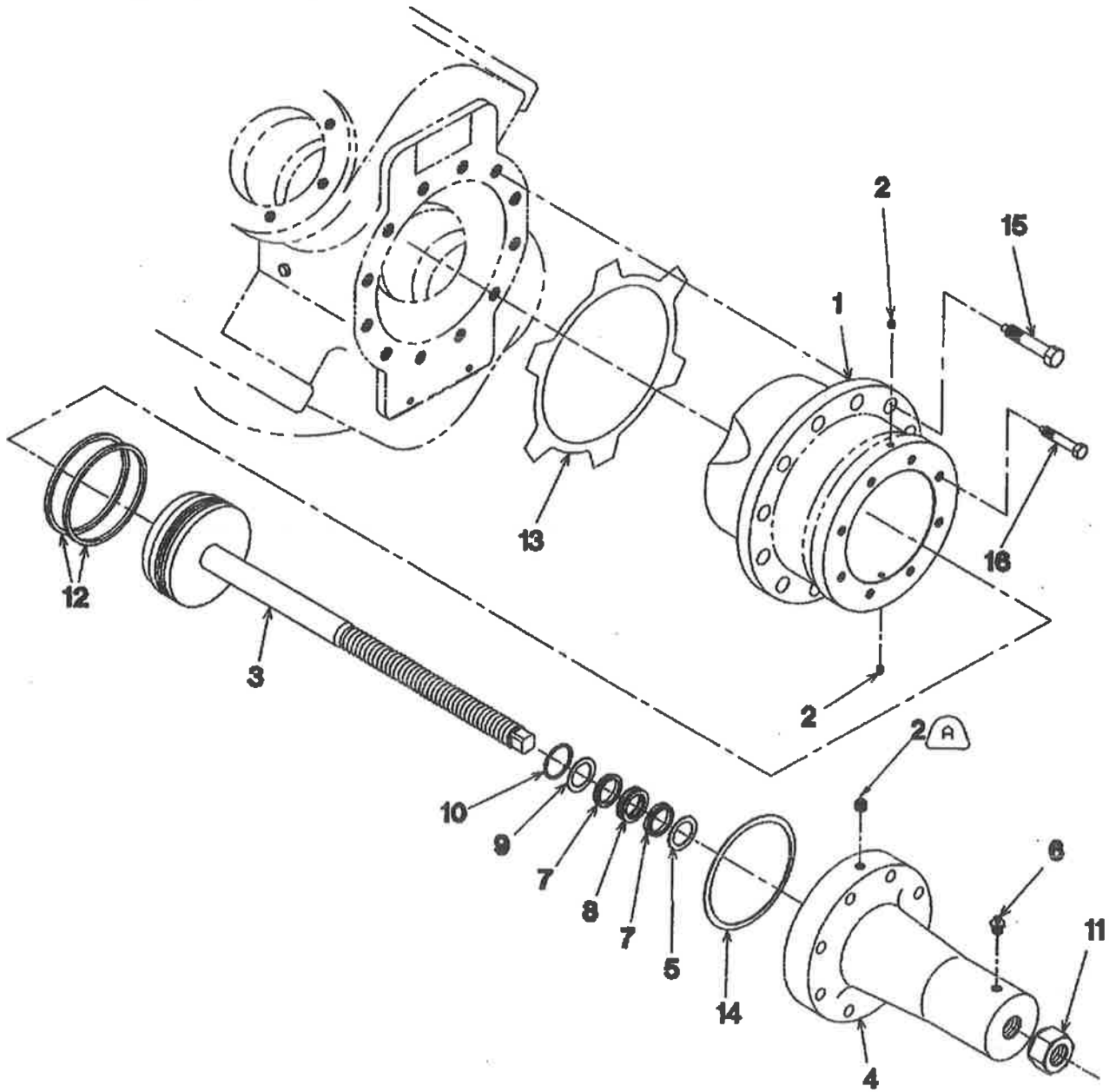
REV. 01B0821

ILLUS. NO.	PART NUMBER	PART NAME	KIT	UNITS	SPARES
				PER ASSEMBLY	
1	.1HJHM1501	CYLINDER 15.00		1.00	PC
	..HJHM1501	CYLINDER 15.00		1.00	PC
	..11021946	PIPE PLUG		4.00	PC
2	.426A10S06	CONNECTOR MALE		2.00	PC
3	.33941501	TUBING 0.25X035W		36.00	IN
4	.426A10S06	CONNECTOR MALE		2.00	PC
6	.UAZM0003T2	ADAPTER QUILL		2.00	PC
7	.R85226	VALVE CHECK		2.00	PCDEM
8	.143A7TT2	ELBOW 90 DEG ST		2.00	PC
9	.R78164X07042R	STUD		24.00	PC
10	.38A4K9	NUT		24.00	PCDEM
11	.R78164X06042R	STUD		16.00	PC
12	.R78164X06035R	STUD		32.00	PC
13	.38A4K8	NUT		64.00	PC
14	.R78164X06061R	STUD		4.00	PC
15	.38A4K8	NUT		4.00	PC
16	.R70784	COVER VALVE		8.00	PCM
17	.20A11EM445	ORING		8.00	PCROCEM
18	.11117074	KIT NAMEPLATE		1.00	PC
	..HDZP0001	NAMEPLATE CYLINDER		1.00	PC
	..11065554	NAMEPLATE WARNING		1.00	PC

+SEE ACCESSORY LITERATURE SECTION

# PARTS LIST

## VARIABLE VOLUME CLEARANCE POCKET OUTER HEAD



# PARTS LIST

HEAD VVC PKT OUTER

MLH52503DG1

REV. 00B0487

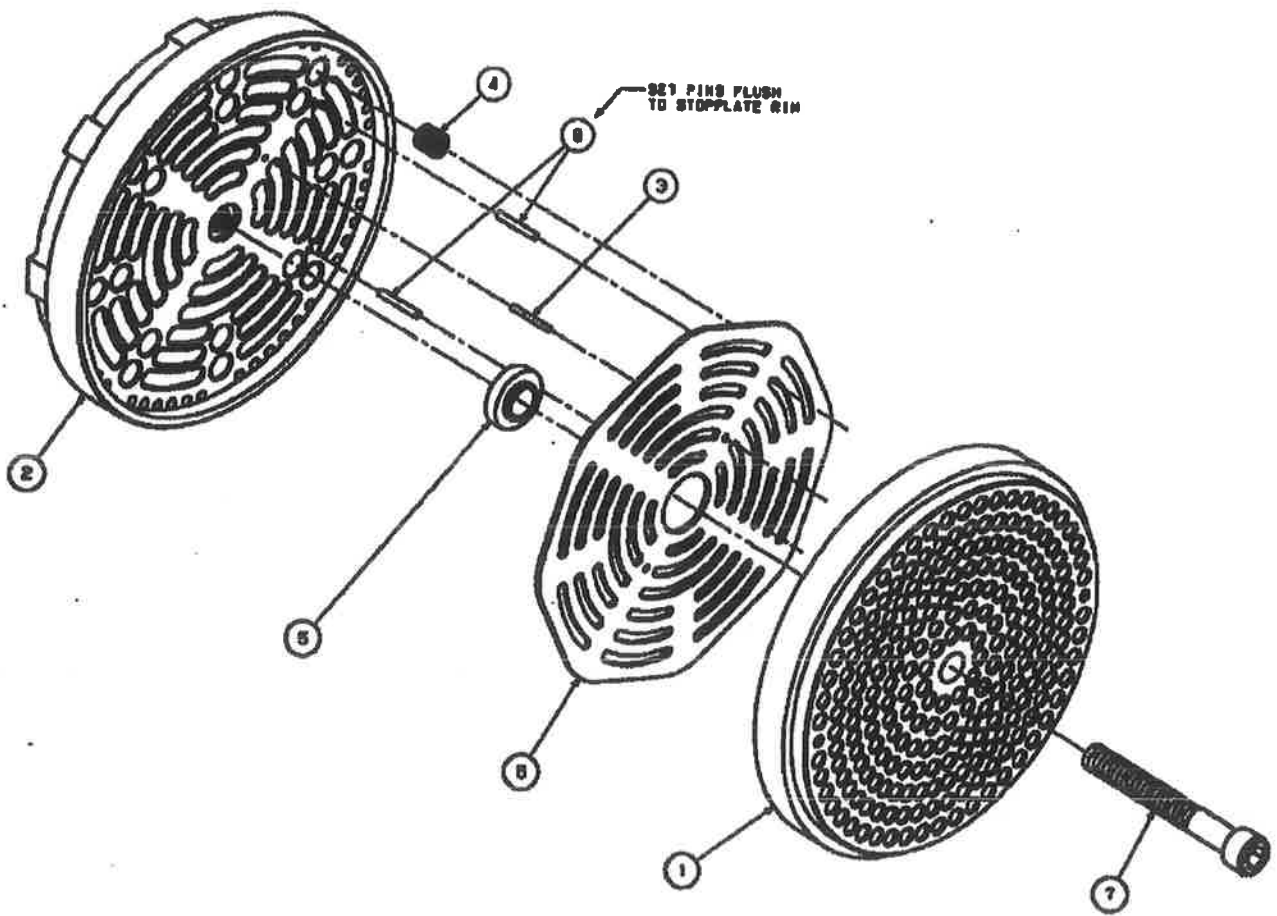
ILLUS. NO.	PART NUMBER	PART NAME	K I T	UNITS	SPARES
				PER ASSEMBLY	
1	.1H52353AP1	HEAD VVC PKT OUTER		1.00	PC
	.11275260	VALVE VVC PKT YOKE		1.00	PC
3	..12435483	PISTON CL PKT & ROD		1.00	PCDEM
	...109A2A44	SETSCREW HEX SKT		1.00	PCDEM
4	..1H49883P2	YOKE CLR PKT		1.00	PC
5	...W127907A	WASHER SEAL RET		1.00	PCDEM
	..11111853	KIT 2.125 SEAL		1.00	PCROCEM
2	...11021912	PLUG PIPE		1.00	PC
5	...W127907A	WASHER SEAL RET		1.00	PCDEM
6	...258A10X1650	FITTING GREASE		1.00	PC
7	...11318623	SEAL		2.00	PCROCEM
8	...W127841P1	LANTERN RDS/HOS		1.00	PCDEM
9	...W127907	WASHER		1.00	PCDEM
10	...183A13SXRRT287	RING RETAINING		1.00	PCDEM
11	..46A4K18	NUT HVY HEX		1.00	PC
12	..11143708	RING PISTON 10.0		2.00	PCROCEM
13	.W139566	GASKET/OH		1.00	PCROCEM
14	.G711121038G	GASKET/YOKE		1.00	PCROCEM
15	.44A2J480	CAPSCREW/OH		12.00	PC
16	.44A2J436	BOLT/YOKE		8.00	PC

+SEE ACCESSORY LITERATURE SECTION



# PARTS LIST

## 67 PF INLET VALVE



H56039L

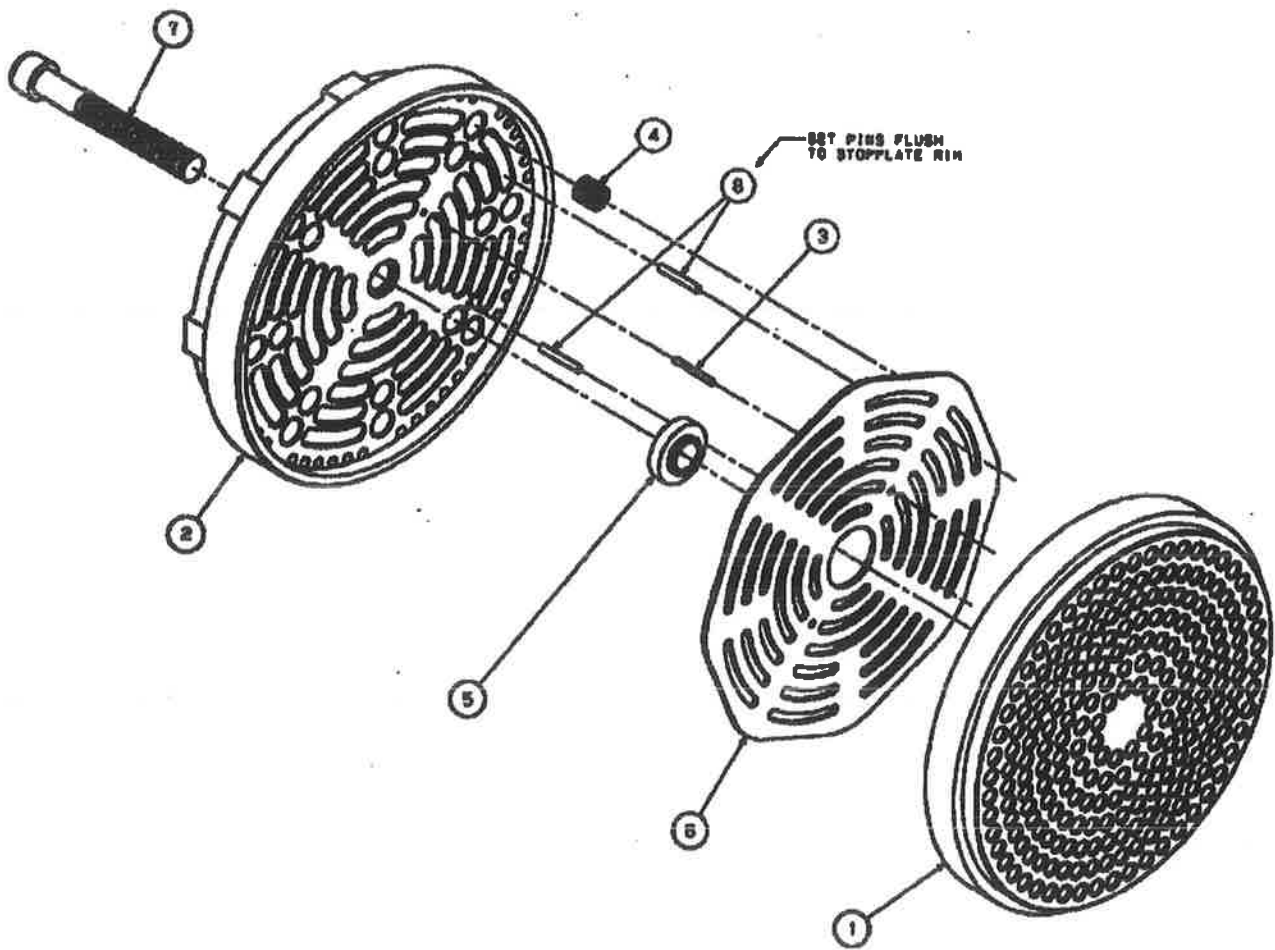
# PARTS LIST

VALVE 67PF INLET		MLH56039LG1	REV. 01
ILLUS. NO.	PART NUMBER	PART NAME	UNITS PER ASSEMBLY
1	.F36497J	SEAT VALVE INLET	1.00
2	.F36498LT3	STOPPLATE INLET	1.00
3	.25A13C69	ROLLPIN	1.00
4	.PP1344	SPRING	16.00
5	.H60519KT3	GUIDE RING	1.00
6	.H56068D	PLATE VALVE	1.00
7	.119A2R254	CAPSCREW	1.00
8	.25A13C98	ROLLPIN	2.00
		/USE LOCTITE #242 /TO ASSEMBLE ITEMS /2 & 7.	

\*SEE ACCESSORY LITERATURE SECTION

# PARTS LIST

## 67 PF DISCHARGE VALVE



H56040J

# PARTS LIST

VALVE 67PF DISCH

MLH56040JG1

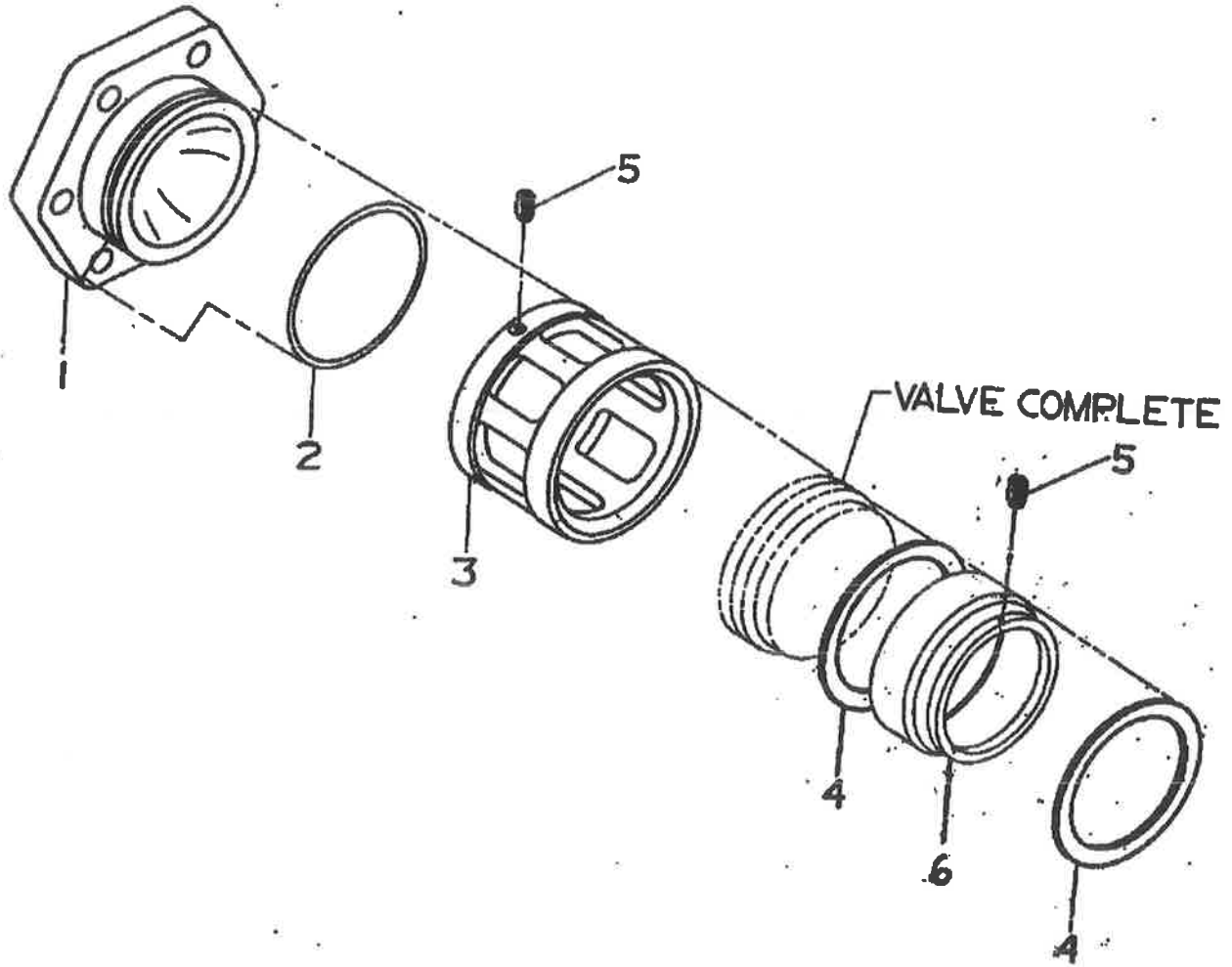
REV. 01

ILLUS. NO.	PART NUMBER	PART NAME	UNITS PER ASSEMBLY	QTY	SPARES USAGE CODE
1	.F36499H	SEAT VALVE DISCH	1.00		PCEM
2	.F36500JT3	STOPPLATE DISCH	1.00		PCCEM
3	.25A13C69	ROLLPIN	1.00		PCROCEM
4	.PP1344	SPRING	16.00		PCROCEM
5	.H60519KT3	GUIDE RING	1.00		PCDEM
6	.H56068D	PLATE VALVE	1.00		PCROCEM
7	.119A2R253	CAPSCREW	1.00		PCROCEM
8	.25A13C98	ROLLPIN	2.00		PCROCEM
		/USE LOCTITE #242			
		/TO ASSEMBLE ITEMS			
		/1 & 7.			

\*SEE ACCESSORY LITERATURE SECTION

# PARTS LIST

## VALVE ACCESSORIES



# PARTS LIST

ACCESS VALVE

MLH50037G6

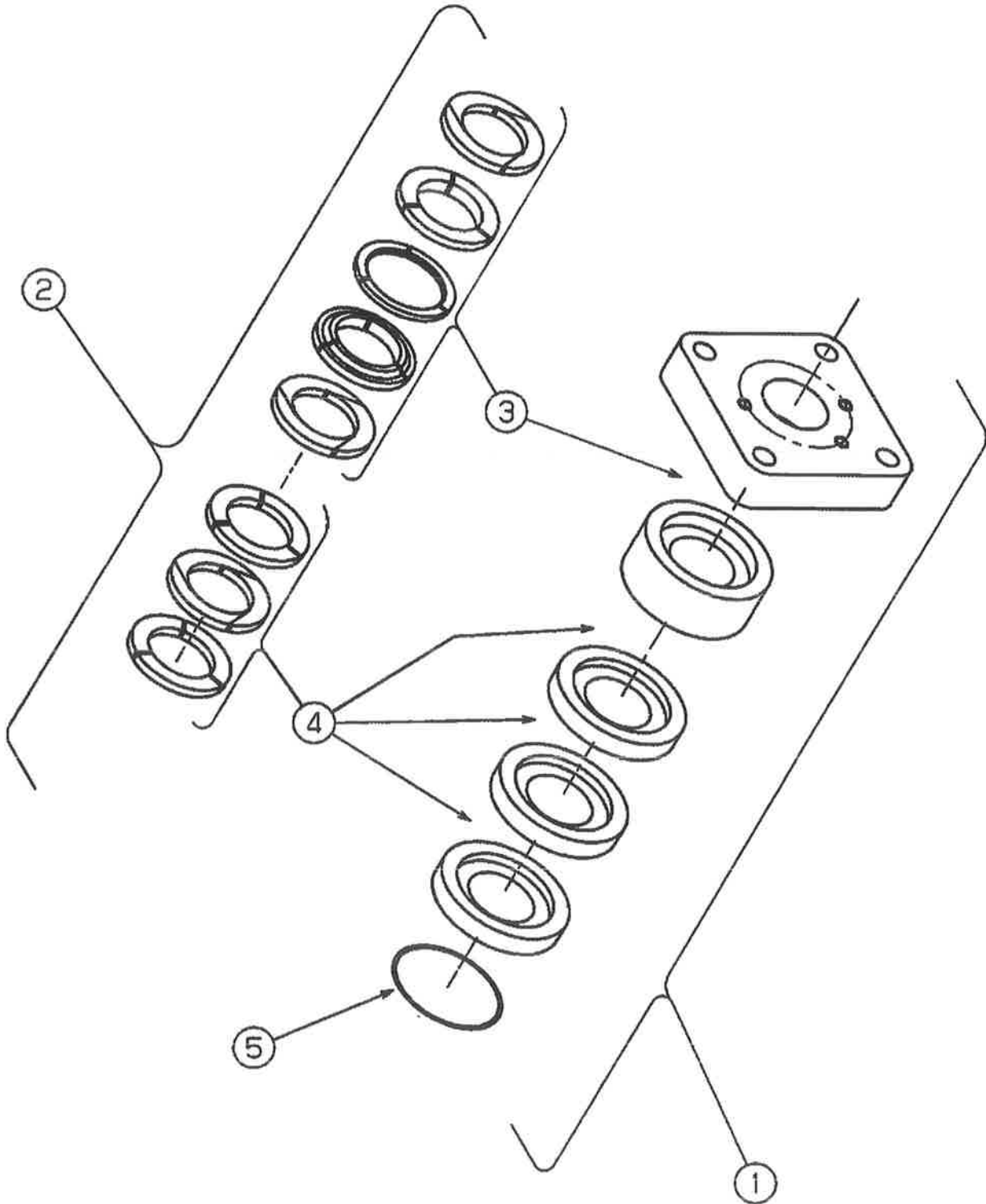
REV. 95B0484

ILLUS. NO.	PART NUMBER	PART NAME	K I T	UNITS PER ASSEMBLY	Q U A N T I T Y	SPARES USAGE CODE
		/FOR PART /ILLUS NO 1 & 2 /SEE CYLINDER ASSY				
3	.R70778P7	CRAB VALVE		1.00		PCEM
4	.30A11F0740X13	GASKET		1.00		PCROCEM
5	.112A2S23	SETSCREW HEX SKT /#6 NOT USED		1.00		PCEM

+SEE ACCESSORY LITERATURE SECTION

# PARTS LIST

## ROD PACKING - PURGED



H59960BP1

# PARTS LIST

PACKING LP PRGD

MLH59960BP1G1

REV. 02B0333

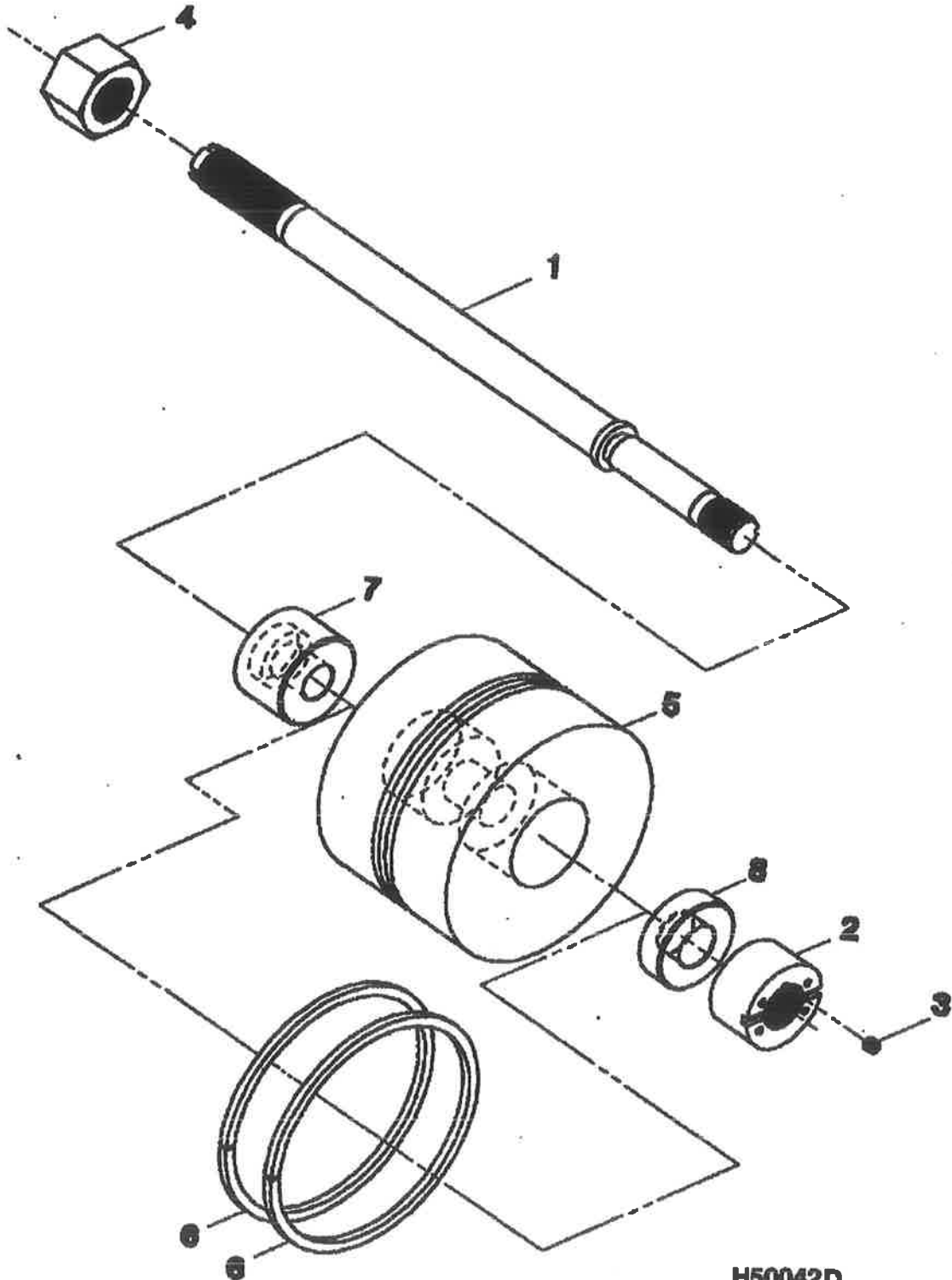
ILLUS. NO.	PART NUMBER	PART NAME	K I T	UNITS PER ASSEMBLY	NUMBERS	SPARES USAGE CODE
1	.H59951BP1	CASE PKG PURGED		1.00	PC	
2	.KDHK0009	RING SET RENEWAL		1.00	PC	
3	..KDHP0011	RING PKG PURGED		1.00	PC	
4	..14A11MB40	RING PACKING		3.00	PC	
6	.X1498T29F	GASKET PKG CASE		1.00	PC	ROCEM

+SEE ACCESSORY LITERATURE SECTION



# PARTS LIST

## PISTON AND ROD



H50042D

# PARTS LIST

PISTON 15.00 & ROD

MLH50042DG19

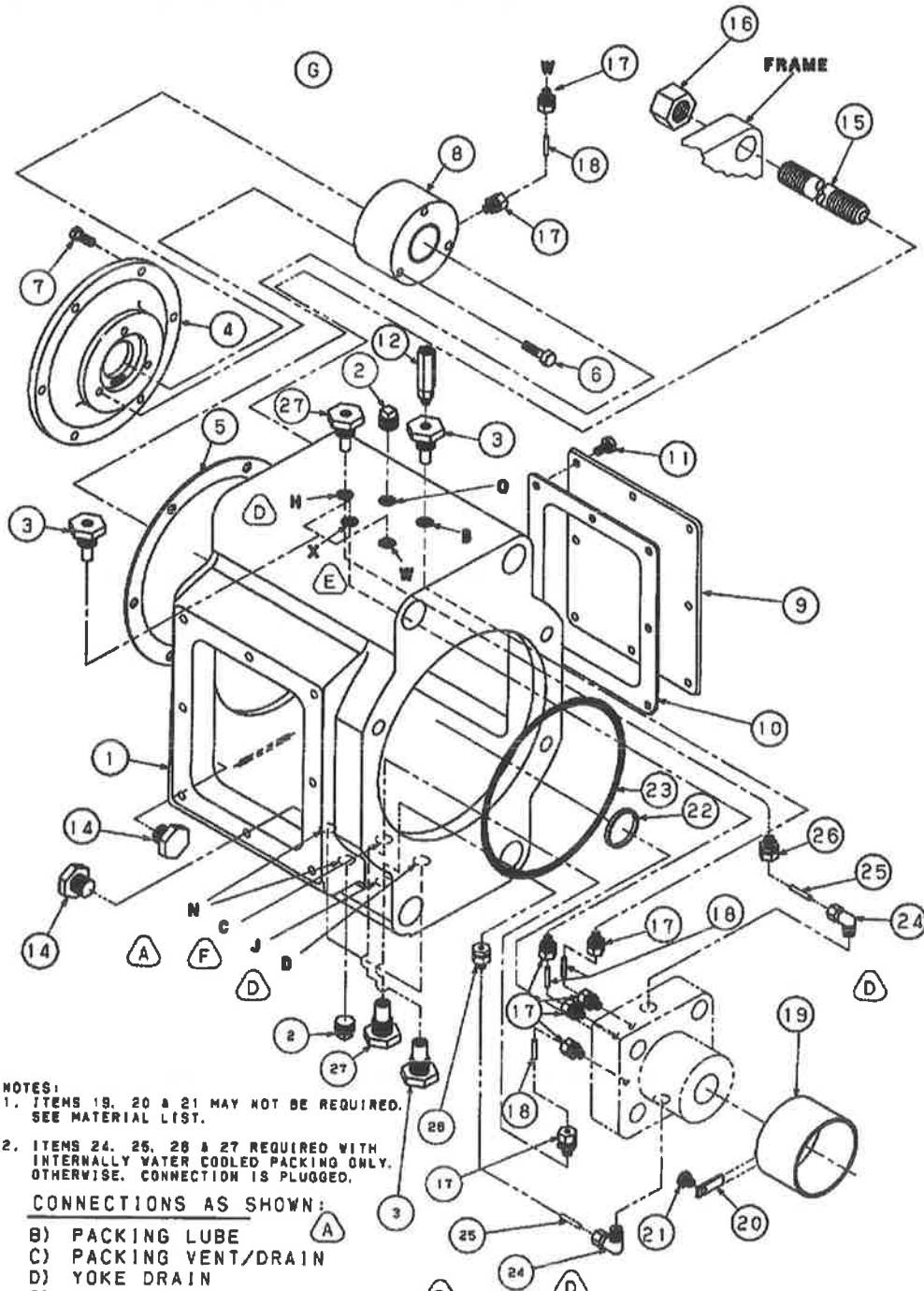
REV. 02B0023

ILLUS. NO.	PART NUMBER	PART NAME	KIT	UNITS PER ASSEMBLY	QTY	SPARES USAGE CODE
1	.IEHM1508T1	ROD PISTON 15.00 /15.00X6HOS PISTON /& ROD FOR 13" YOKE. /4142/TC3 ROD, STD. /RINGS.		1.00	PCM	
2	.W84456B	NUT PISTON HOS		1.00	PCM	
3	.109A2A44	SETSCREW HEX SKT		1.00	PCOEM	
4	.X1010T12	NUT ROD LOCKING		1.00	PCM	
5	.1F32177P4	PISTON 15.00		1.00	PCM	
6	.KCHP1402	RING 15.00 COMBO		2.00	PC	
7	.R72004CP1	COLLAR FR END HOS		1.00	PCM	
8	.R72005P4	COLLAR OUT END HOS		1.00	PCM	
	.ZBHM0001	ADAPTER PISTON NUT /TIGHTEN PISTON NUT /33 DEGREES PER /INSTRUCTION BOOK. /1200 RPM MAX		1.00	PC	

+SEE ACCESSORY LITERATURE SECTION

# PARTS LIST

## YOKE ASSEMBLY



**NOTES:**

1. ITEMS 19, 20 & 21 MAY NOT BE REQUIRED. SEE MATERIAL LIST.

2. ITEMS 24, 25, 26 & 27 REQUIRED WITH INTERNALLY WATER COOLED PACKING ONLY. OTHERWISE, CONNECTION IS PLUGGED.

**CONNECTIONS AS SHOWN:**

- B) PACKING LUBE
- C) PACKING VENT/DRAIN
- D) YOKE DRAIN
- G) YOKE VENT/PURGE
- H) PACKING COOLANT DISCHARGE (IF REQUIRED)
- J) PACKING COOLANT INLET (IF REQUIRED)
- N) SPARE CONNECTION
- W) WIPER PURGE
- X) PACKING PURGE

# PARTS LIST

YOKE

MLGAHA0001G4

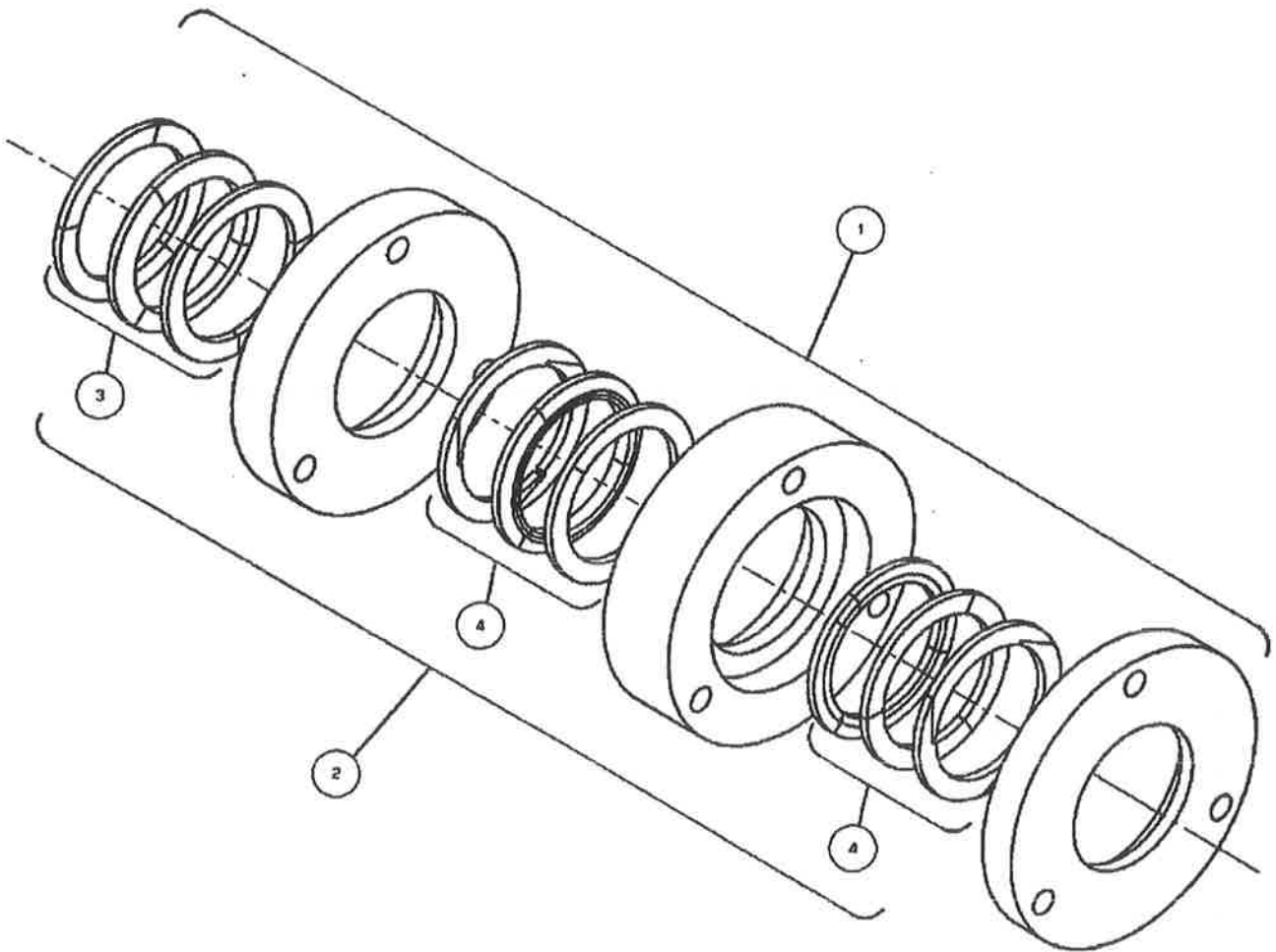
REV. 02B0077

ILLUS. NO.	PART NUMBER	PART NAME	KIT	UNITS PER ASSEMBLY	UNITS	SPARES USAGE CODE
1	.F32134AP2	YOKE 13.00 HOS		1.00	PC	
2	.30A7C6	PIPE PLUG		4.00	PC	
3	.W47886	ADAPTER PIPE HHE		4.00	PC	
4	.R70691P1	OIL STUFFER HOS		1.00	PC	
5	.W139350	GASKET		1.00	PCROCEM	
6	.35A2C230	CAPSCREW		3.00	PC	
7	.35A2C219	CAPSCREW		6.00	PCDEM	
8	.MLH57758CG4	WIPER PRGD		1.00	PC	
9	.W78603	COVER YOKE RD HOS		2.00	PC	
10	.W78604	GASKET		2.00	PCROCEM	
11	.35A2C217	CAPSCREW		16.00	PC	
12	.R85226	VALVE CHECK		1.00	PCDEM	
14	.35A2C382	CAPSCREW		8.00	PC	
15	.R70754	TIEROD YOKE HOS		4.00	PC	
16	.46A4K14	NUT HVY HEX		4.00	PC	
17	.426A10S06	CONNECTOR MALE		8.00	PC	
18	.33941501	TUBING 0.25X035W		48.00	IN	
23	.20A11CM279	ORING		1.00	PCROCEM	
		/#19,20,21 & 22				
		/NOT USED				

+SEE ACCESSORY LITERATURE SECTION

# PARTS LIST

## PURGED OIL SCRAPER



H57758C

# PARTS LIST

WIPER PRGD

MLH57758CG4

REV. 02B0025

ILLUS. NO.	PART NUMBER	PART NAME	KIT	UNITS PER ASSEMBLY	UNITS	SPARES USAGE CODE
1	.LEZP0001T3	CASE OIL SCRAPER		1.00	PCM	
2	.12475091	RING SET RENEWAL		1.00	PCROCEM	
3	..R79480T4G	RING OIL SCRAPER		1.00	PCROCEM	
4	..5A11J40	RING PACKING		2.00	PCROCEM	

\*SEE ACCESSORY LITERATURE SECTION

# PARTS LIST

CYLINDER 9.50 X 6H

6HC2658

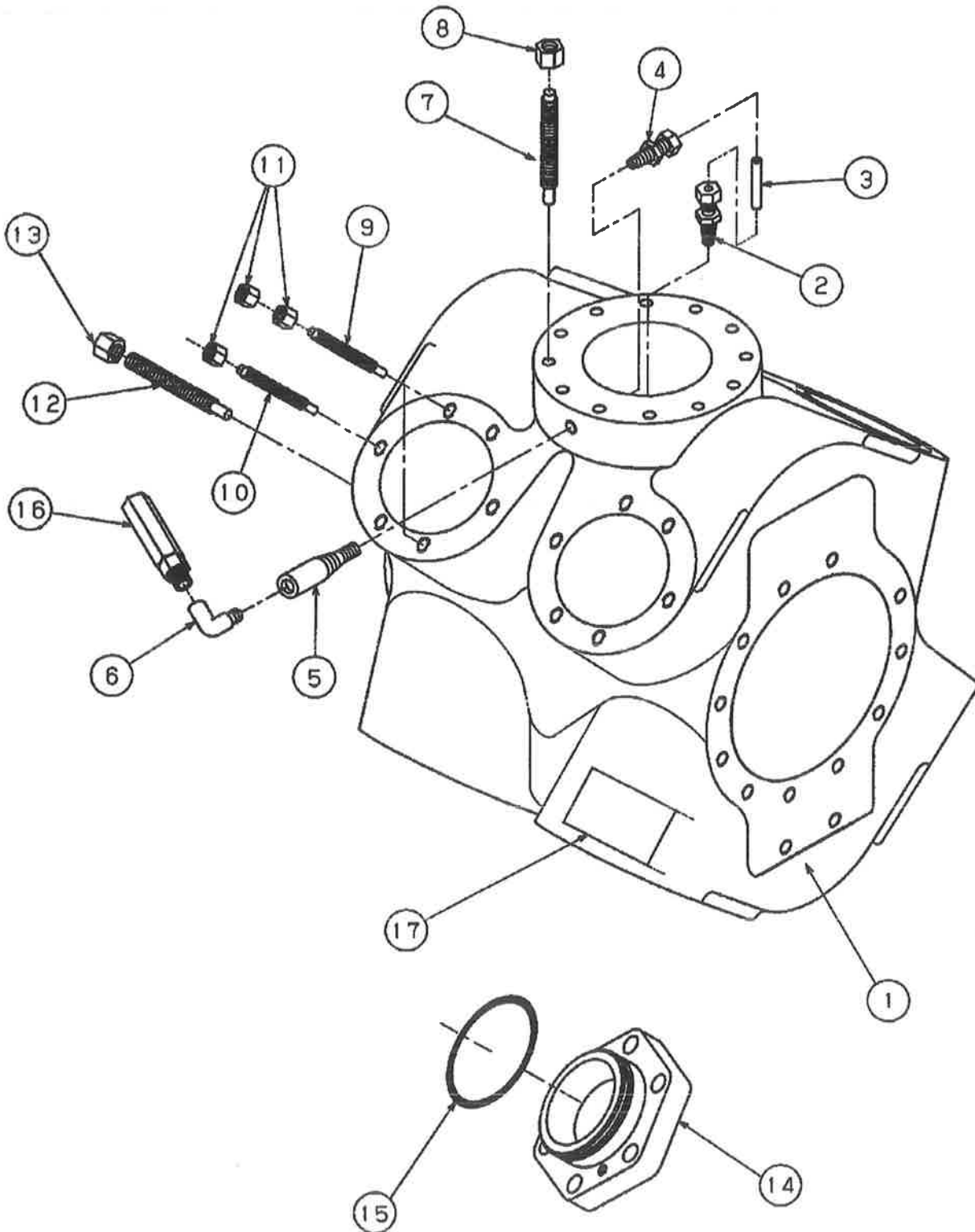
REV. 02B0287

ILLUS. NO.	PART NUMBER	PART NAME	UNITS PER ASSEMBLY	QTY	SPARES USAGE CODE
	.MLHJHA0901G3	CYLINDER 9.50	1.00	PC	
	.MLH52502AG1	HEAD VVC PKT YOKE	1.00	PC	
	.MLH56190YG6	VALVE 48PF INLET	4.00	PC	ROC
	.MLH56191YG6	VALVE 48 PF DISCH	4.00	PC	ROC
	.MLH49937G4	ACCESS VALVE	8.00	PC	
	.MLH49998G18	PISTON 9.50 & ROD	1.00	PC	
	.MLH59960AP1G1	PACKING MP PRGD	1.00	PC	
	.MLH51913BFG8	YOKE 18.00 HOS	1.00	PC	

+SEE ACCESSORY LITERATURE SECTION

# PARTS LIST

## CYLINDER ASSEMBLY



HJHA0901



# PARTS LIST

CYLINDER 9.50

MLHJHA0901G3

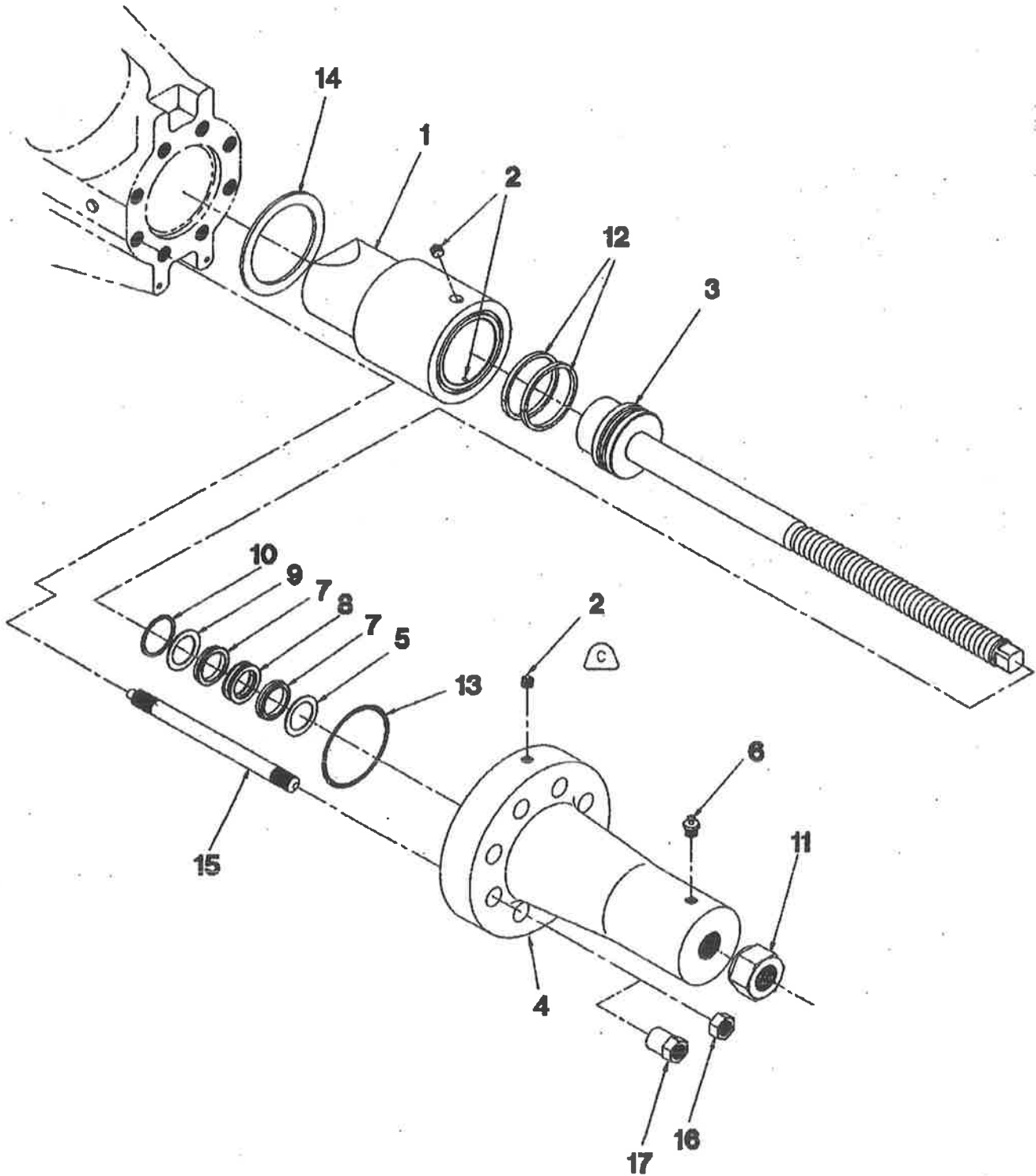
REV. 01B0583

ILLUS. NO.	PART NUMBER	PART NAME	KIT	UNITS PER ASSEMBLY	UNITS PER KIT	SPARES USAGE CODE
1	.HJHM0901	CYLINDER 9.50		1.00	PC	
2	.426A10S06	CONNECTOR MALE		2.00	PC	
3	.33941501	TUBING 0.25X035W		36.00	IN	
4	.426A10S06	CONNECTOR MALE		2.00	PC	
5	.UAZM0003T2	ADAPTER QUILL		2.00	PC	
6	.143A7TT2	ELBOW 90 DEG ST		2.00	PC	
7	.R78164X08047R	STUD		24.00	PC	
8	.38A4K10	NUT		24.00	PC	
9	.R78164X08052R	STUD		16.00	PC	
10	.R78164X08044R	STUD		32.00	PC	
11	.38A4K10	NUT		64.00	PC	
12	.R78164X05059R	STUD		4.00	PC	
13	.38A4K7	NUT		4.00	PC	
14	.R70704	COVER VALVE		8.00	PC	CEM
15	.20A11KM434	ORING		8.00	PC	ROCEM
16	.R85226	VALVE CHECK		2.00	PC	OEM
17	.11117074	KIT NAMEPLATE		1.00	PC	
	..HDZP0001	NAMEPLATE CYLINDER		1.00	PC	
	..11065554	NAMEPLATE WARNING		1.00	PC	
	.VAHK0903	KIT GASKET		1.00	PC	
	..20A11KM434	ORING		8.00	PC	ROCEM
	..X1498T29F	GASKET PKG CASE		1.00	PC	ROCEM
	..37A11C12	GASKET		2.00	PC	OEM

+SEE ACCESSORY LITERATURE SECTION

# PARTS LIST

## VARIABLE VOLUME CLEARANCE POCKET OUTER HEAD



# PARTS LIST

HEAD VVC PKT YOKE

MLH52502AG1

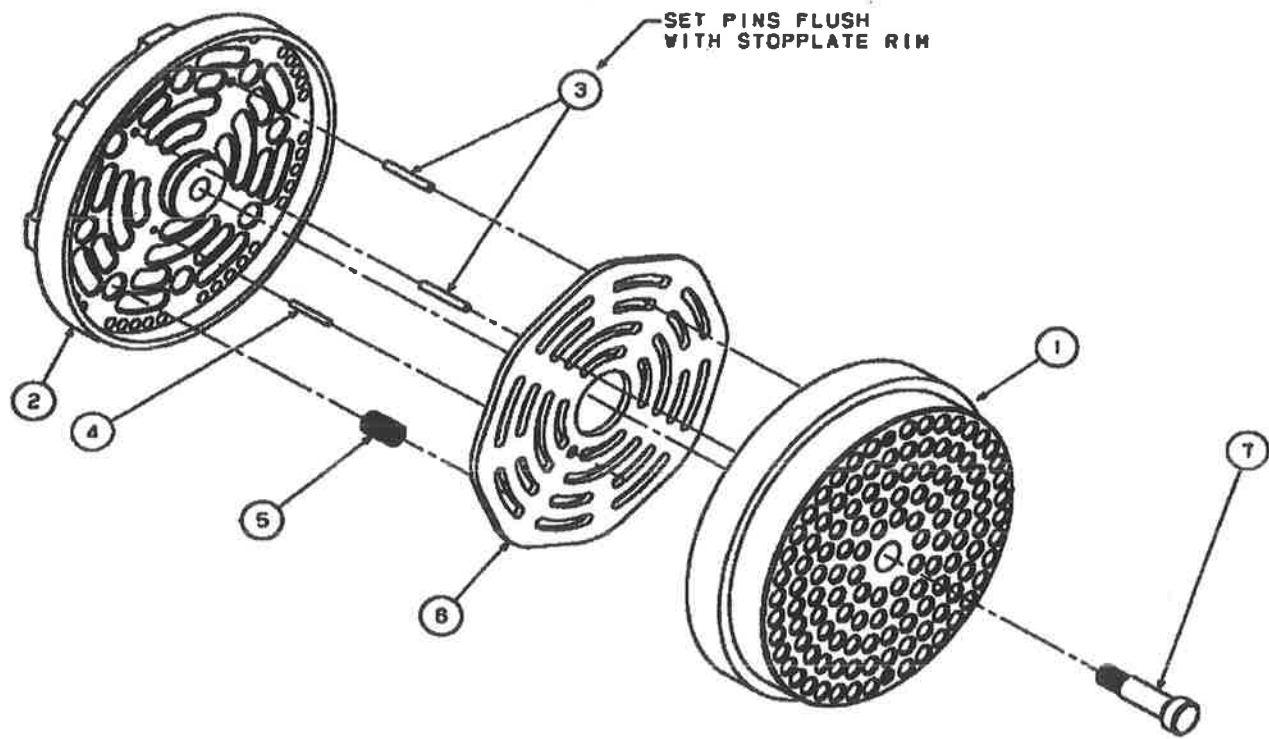
REV. 00B0139

ILLUS. NO.	PART NUMBER	PART NAME	KIT	UNITS PER ASSEMBLY	UNITS	SPARES USAGE CODE
1	.1H52289P2	HEAD VVC PKT OUTER		1.00	PC	
2	..11021912	PLUG PIPE		3.00	PC	
	.11134590	VALVE VVC PKT		1.00	PC	
3	..12435434	PISTON 7.75 & ROD		1.00	PC	
4	..1H49883AP2	YOKE VVC POCKET		1.00	PC	
5	...W127907A	WASHER SEAL RET		1.00	PCOEM	
	..11111853	KIT 2.125 SEAL		1.00	PCROCEM	
5	...W127907A	WASHER SEAL RET		1.00	PCOEM	
6	...258A10X1650	FITTING GREASE		1.00	PC	
7	...11318623	SEAL		2.00	PCROCEM	
8	...W127841P1	LANTERN RDS/HOS		1.00	PCOEM	
9	...W127907	WASHER		1.00	PCOEM	
10	...183A13XRRT287	RING RETAINING		1.00	PCOEM	
11	..46A4K18	NUT HVY HEX		1.00	PC	
12	..11134632	RING PISTON 7.75		2.00	PCROCEM	
13	.20A11EM372	ORING		1.00	PCROCEM	
14	.H32894T3	GASKET		1.00	PCROCEM	
15	.R78164X08089R	STUD		12.00	PC	
16	.38A4K10	NUT		12.00	PC	

+SEE ACCESSORY LITERATURE SECTION

# PARTS LIST

## 48 PF INLET VALVE



H56190Y

# PARTS LIST

VALVE 48PF INLET

MLH56190YG6

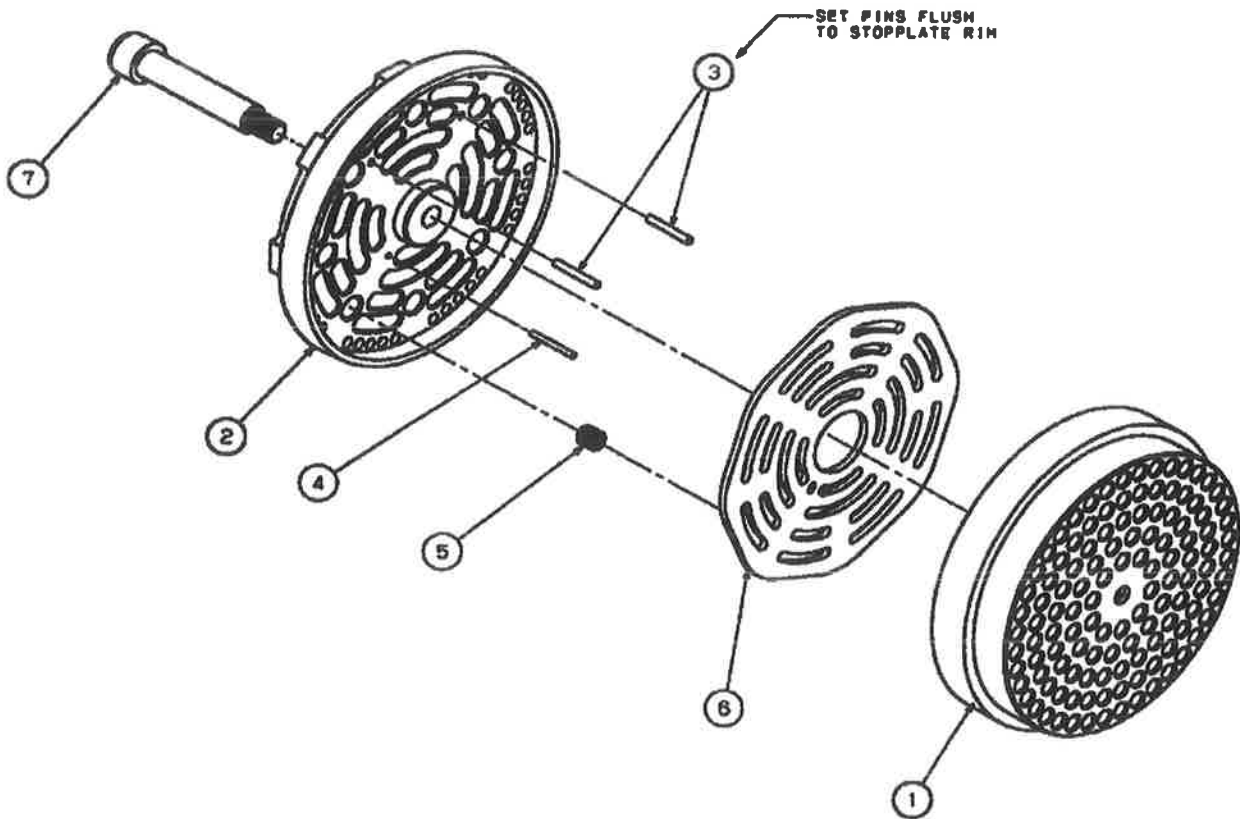
REV. 01

ILLUS. NO.	PART NUMBER	PART NAME	K I T	UNITS PER ASSEMBLY	U M E A S	SPARES USAGE CODE
		/.080 LIFT				
1	.F36931M	SEAT INLET		1.00		PCEM
2	.F36932VT3	STOPPLATE INLET		1.00		PC
3	.25A13C96	ROLLPIN		2.00		PCOEM
4	.25A13C67	ROLLPIN		1.00		PCOEM
5	.PP1344	SPRING		8.00		PCROCEM
6	.H56183AP1	PLATE VALVE		1.00		PCROCEM
7	.121A2A204	SCREW SKT SHLDR		1.00		PCOEM
		/USE LOCTITE #242				
		/TO ASSEMBLE ITEMS				
		/2 & 7				

+SEE ACCESSORY LITERATURE SECTION

# PARTS LIST

## 48 PF DISCHARGE VALVE



H56191Y

# PARTS LIST

VALVE 48 PF DISCH

MLH56191YG6

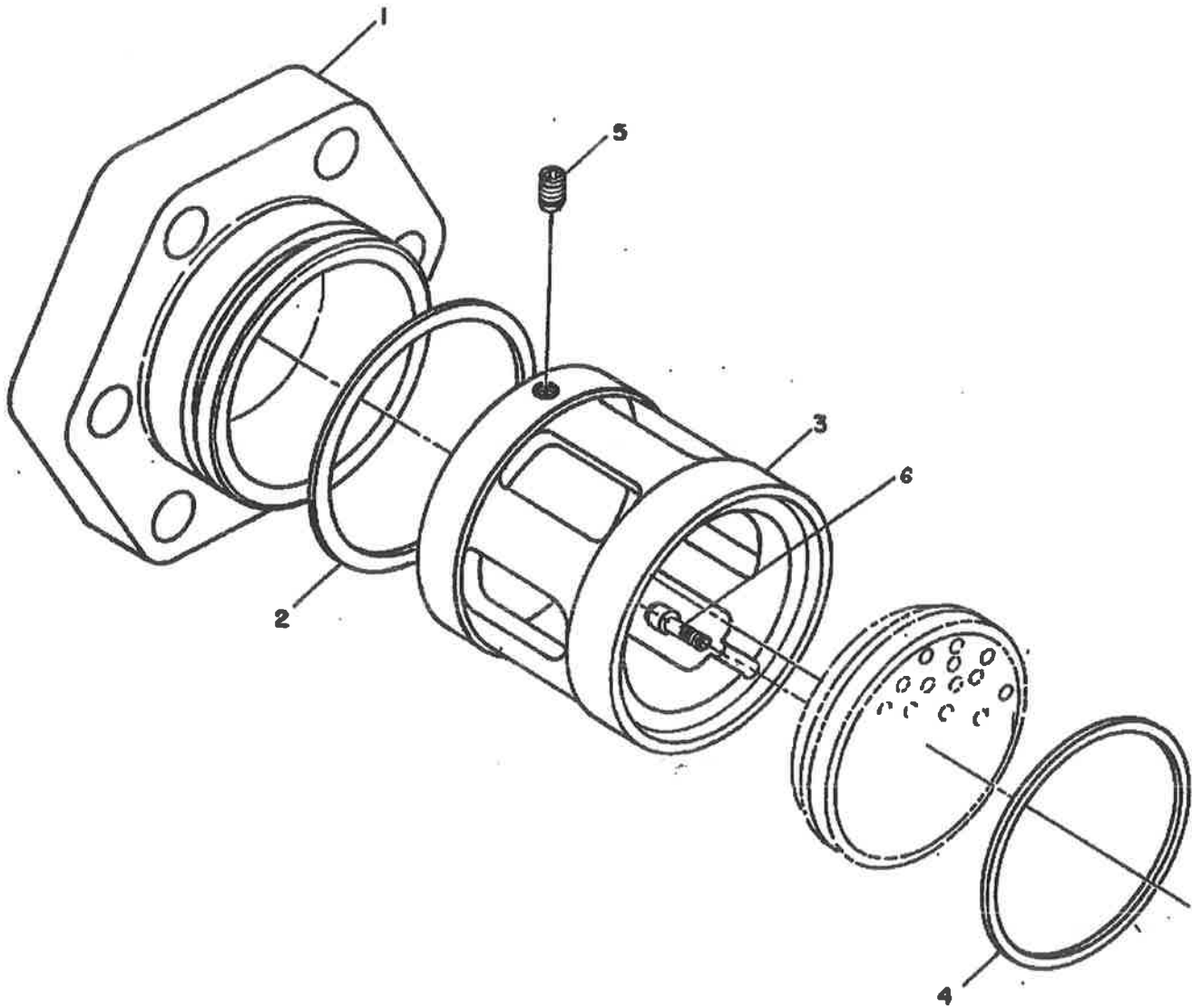
REV. 01

ILLUS. NO.	PART NUMBER	PART NAME	K I T	UNITS PER ASSEMBLY	Q U A N T I T Y	SPARES USAGE CODE
1	.F36933M	.080 LIFT SEAT DISCHARGE		1.00		PCEM
2	.F36934WT3	STOPPLATE DISCHARGE		1.00		PC
3	.25A13C96	ROLLPIN		2.00		PCQEM
4	.25A13C67	ROLLPIN		1.00		PCQEM
5	.PP1344	SPRING		8.00		PCROCEM
6	.H56183AP1	PLATE VALVE		1.00		PCROCEM
7	.121A2A204	SCREW SKT SHLDR		1.00		PCQEM
		/USE LOCTITE #242				
		/TO ASSEMBLE ITEMS				
		/1 & 7				

+SEE ACCESSORY LITERATURE SECTION

# PARTS LIST

## VALVE ACCESSORIES



H49937, REV. A



# PARTS LIST

ACCESS VALVE

MLH49937G4

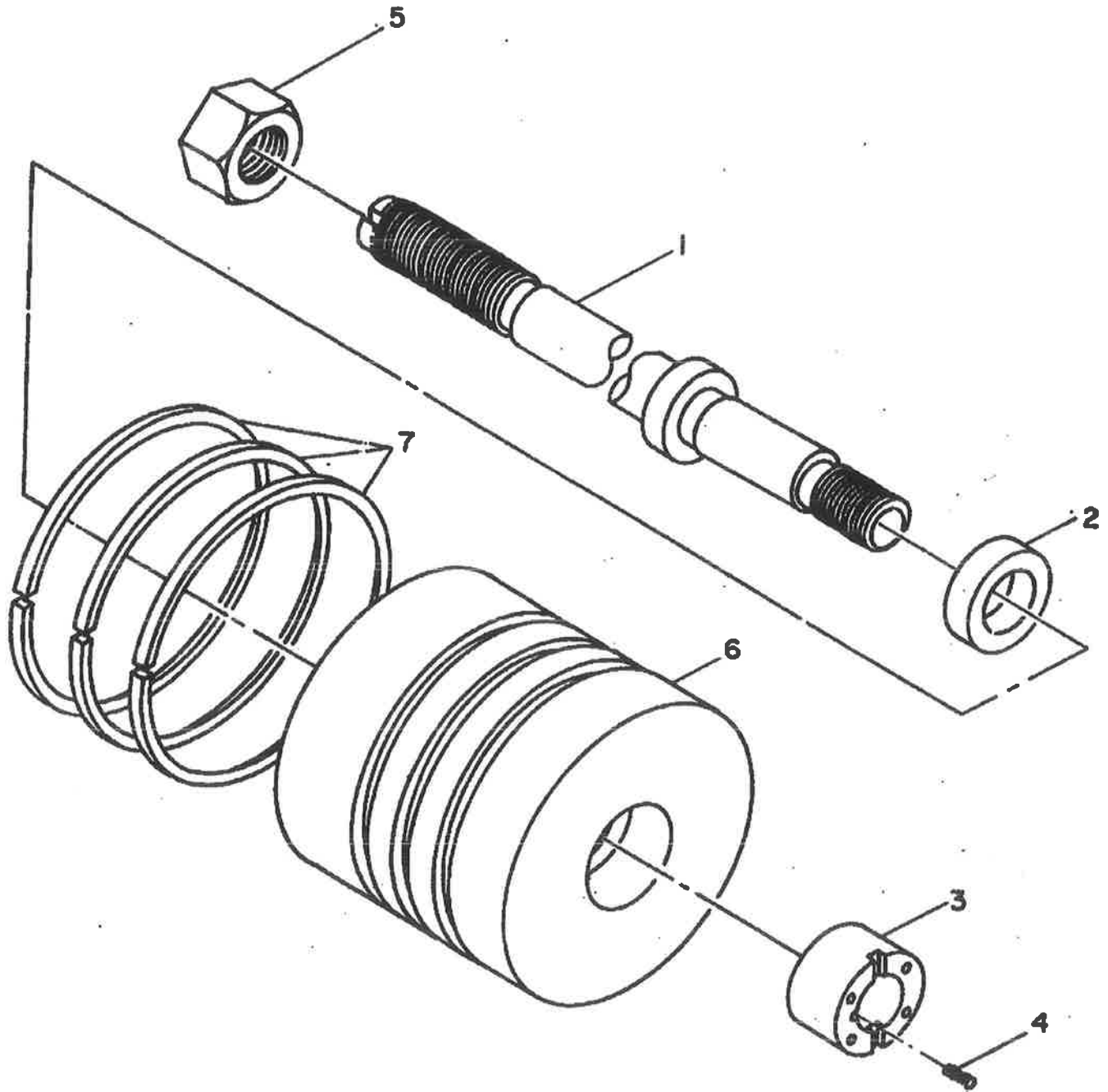
REV. 01B0595

ILLUS. NO.	PART NUMBER	PART NAME	K I T	UNITS PER ASSEMBLY	U N I T	SPARES USAGE CODE
		/FOR PARTS				
		/ILL NO 1 & 2 SEE				
		/CYLINDER ASSY				
3	.R70705P2	CRAB VALVE/48V&54C		1.00	PC	CEM
4	.30A11F0540X12	GASKET		1.00	PC	ROCEM
5	.112A2A23	SETSCREW HEX SKT		1.00	PC	CEM
6	.119A2R150	CAPSCREW		2.00	PC	

+SEE ACCESSORY LITERATURE SECTION

# PARTS LIST

## PISTON & ROD ASSEMBLY



H49998

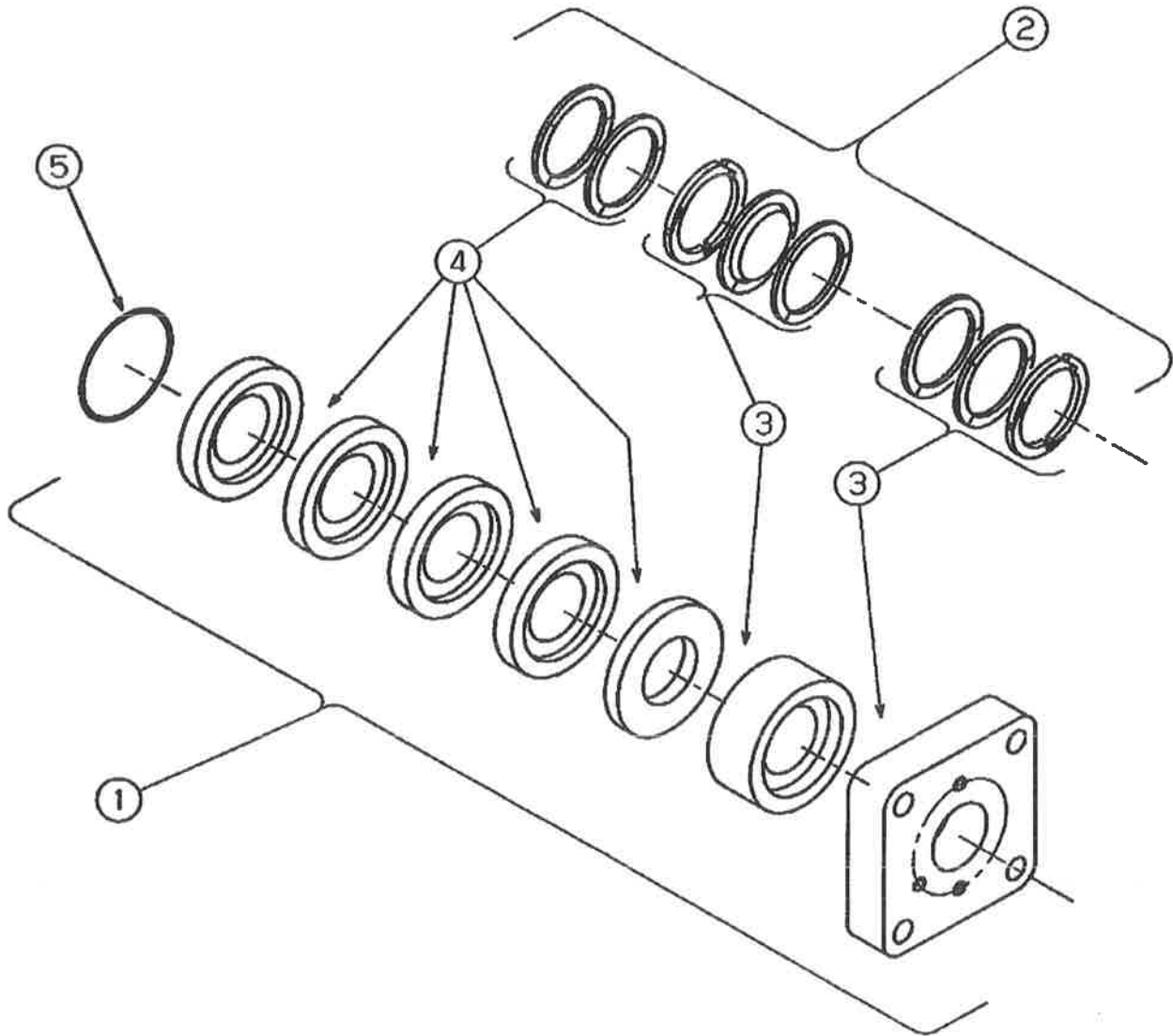
# PARTS LIST

PISTON 9.50 & ROD		MLH49998G18	REV. 01		
ILLUS. NO.	PART NUMBER	PART NAME	UNITS PER ASSEMBLY	UNIT PART	SPARES USAGE CODE
1	.IEHM0407T1	ROD PISTON 8.00 HOS /STANDARD ROD FOR /USE WITH 18.00 IN /YOKE.	1.00		PCM
2	.W139438	COLLAR PISTON ROD	1.00		PCM
3	.W98966	NUT PISTON RDS	1.00		PCM
4	.109A2A44	SETSCREW HEX SKT	1.00		PCOEM
5	.X1010T12	NUT ROD LOCKING	1.00		PCM
6	.H49973P1	PISTON 9.50	1.00		PCM
7	.11066545	RING 9.50 PISTON /TIGHTEN PISTON NUT /40 DEGREES PER /INSTRUCTION BOOK	3.00		PCROCEM

+SEE ACCESSORY LITERATURE SECTION

# PARTS LIST

## ROD PACKING COMPLETE



H59960A

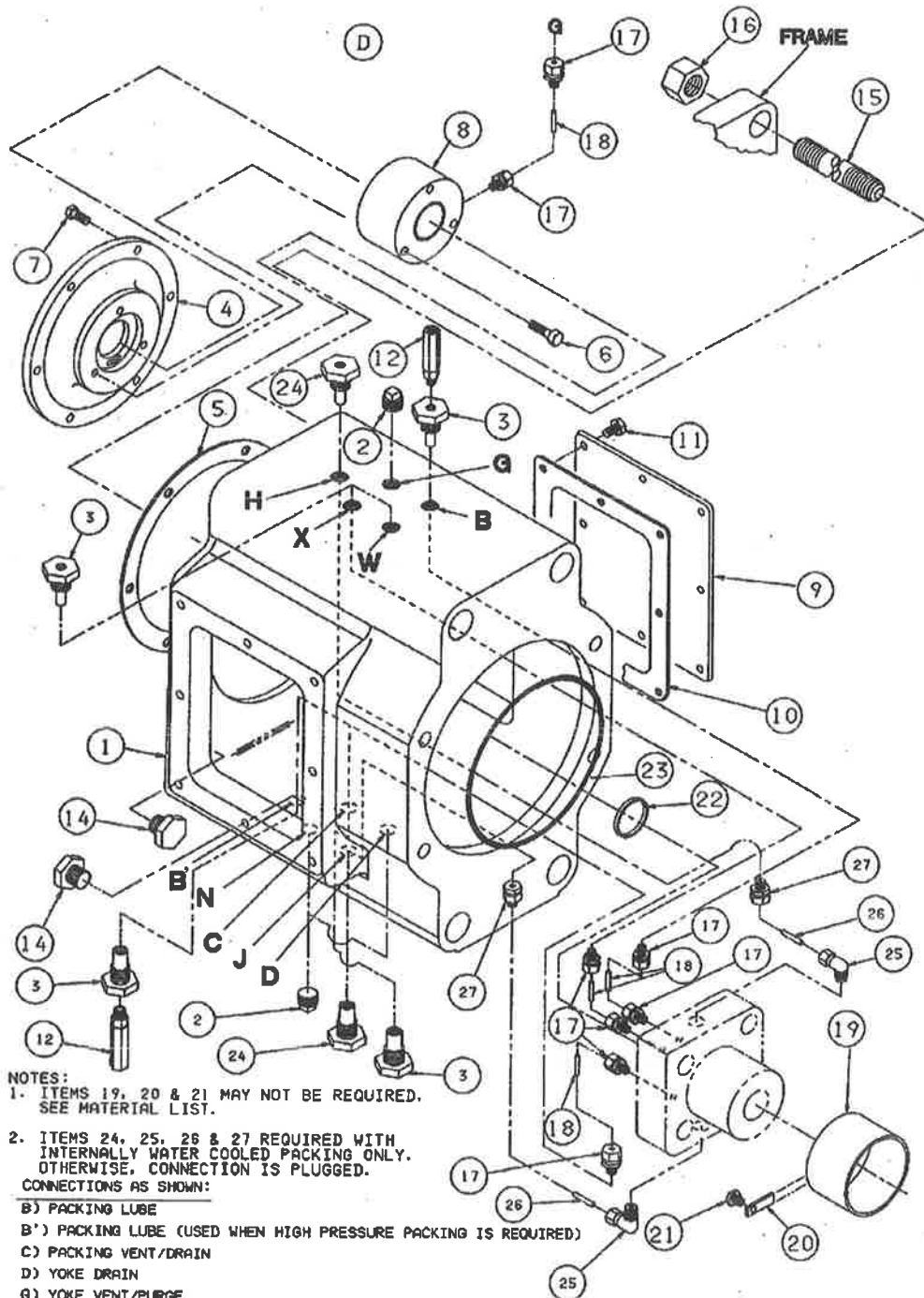
# PARTS LIST

	PKG ROD COMPL HOS	MLH59960AG1	REV.	OI	
ILLUS. NO.	PART NUMBER	PART NAME	UNITS PER ASSEMBLY	QTY	SPARES USAGE CODE
1	.H59951A	CASE PKG PURGED	1.00		PC
2	.12475901	RING SET RENEWAL	1.00		PCROCEM
3	..5A11J40	RING PACKING	2.00		PCROCEM
4	..16A11JG40	RING PACKING	4.00		PCROCEM
5	.X1498T29F	GASKET PKG CASE	1.00		PCROCEM

+SEE ACCESSORY LITERATURE SECTION

# PARTS LIST

## YOKE ASSEMBLY



**NOTES:**

1. ITEMS 19, 20 & 21 MAY NOT BE REQUIRED.  
SEE MATERIAL LIST.

2. ITEMS 24, 25, 26 & 27 REQUIRED WITH  
INTERNALLY WATER COOLED PACKING ONLY.  
OTHERWISE, CONNECTION IS PLUGGED.

**CONNECTIONS AS SHOWN:**

- B) PACKING LUBE
- B') PACKING LUBE (USED WHEN HIGH PRESSURE PACKING IS REQUIRED)
- C) PACKING VENT/DRAIN
- D) YOKE DRAIN
- G) YOKE VENT/PURGE
- H) PACKING COOLANT DISCHARGE (IF REQUIRED)
- J) PACKING COOLANT INLET (IF REQUIRED)
- N) SPARE CONNECTION(S)
- W) WIPER PURGE
- X) PACKING PURGE

# PARTS LIST

YOKE 18.00 HOS

MLH51913BFG8

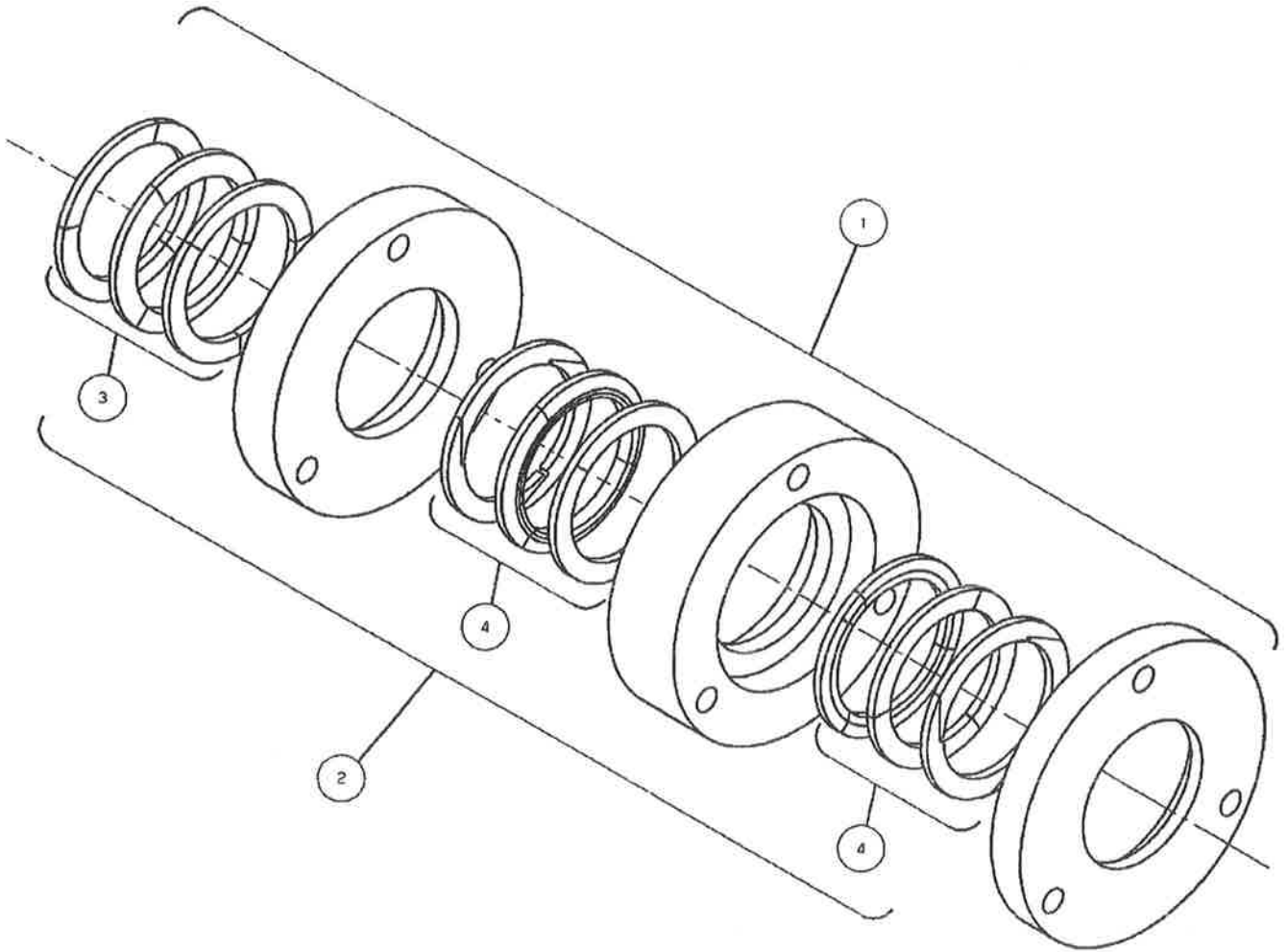
REV. 01B0514

ILLUS. NO.	PART NUMBER	PART NAME	K I T	UNITS PER ASSEMBLY	U N I T S	SPARES USAGE CODE
1	.F32243	YOKE 18.00 HOS		1.00	PC	
2	.30A7C6	PIPE PLUG		5.00	PC	
3	.W47886	ADAPTER PIPE HHE		5.00	PC	
4	.R70691P1	OIL STUFFER HOS		1.00	PC	
5	.W139350	GASKET		1.00	PC	ROCEM
6	.35A2C230	CAPSCREW		3.00	PC	
7	.35A2C219	CAPSCREW		6.00	PC	OEM
8	.MLH57758CG4	SCRAPER PURGE OIL		1.00	PC	
9	.W78603	COVER YOKE RD HOS		2.00	PC	
10	.W78604	GASKET		2.00	PC	ROCEM
11	.35A2C217	CAPSCREW		16.00	PC	
12	.33037417	VALVE CHECK LUBR		1.00	PC	ROCEM
14	.35A2C382	CAPSCREW		8.00	PC	
15	.R70754P1	TIEROD HOS YOKE		4.00	PC	
16	.46A4K14	NUT HVY HEX		4.00	PC	
17	.426A10S06	CONNECTOR MALE		8.00	PC	
18	.33942129	TUBING 0.25X035W		48.00	IN	
22	.300018AK9	SEAL OIL DEFLECTOR /#19, 20, & 21 /NOT USED		1.00	PCM	
23	.20A11CM279	ORING /ILLUS. #024, 025 /026 & 027 ARE NOT /USED.		1.00	PC	ROCEM

+SEE ACCESSORY LITERATURE SECTION

# PARTS LIST

## PURGED OIL SCRAPER



H57758C



# PARTS LIST

SCRAPER PURGE OIL

MLH57758CG4

REV. 01

ILLUS. NO.	PART NUMBER	PART NAME	UNITS PER ASSEMBLY	UNITS	SPARES USAGE CODE
1	.LEZP0001T3	CASE OIL SCRAPER	1.00	PCM	
2	.12475091	RING SET RENEWAL	1.00	PCROCEM	
3	..R79480T4G	RING OIL SCRAPER	1.00	PCROCEM	
4	..5A11J40	RING PACKING	2.00	PCROCEM	

\*SEE ACCESSORY LITERATURE SECTION

# PARTS LIST

INDEX

6HC2659

REV. 02B0287

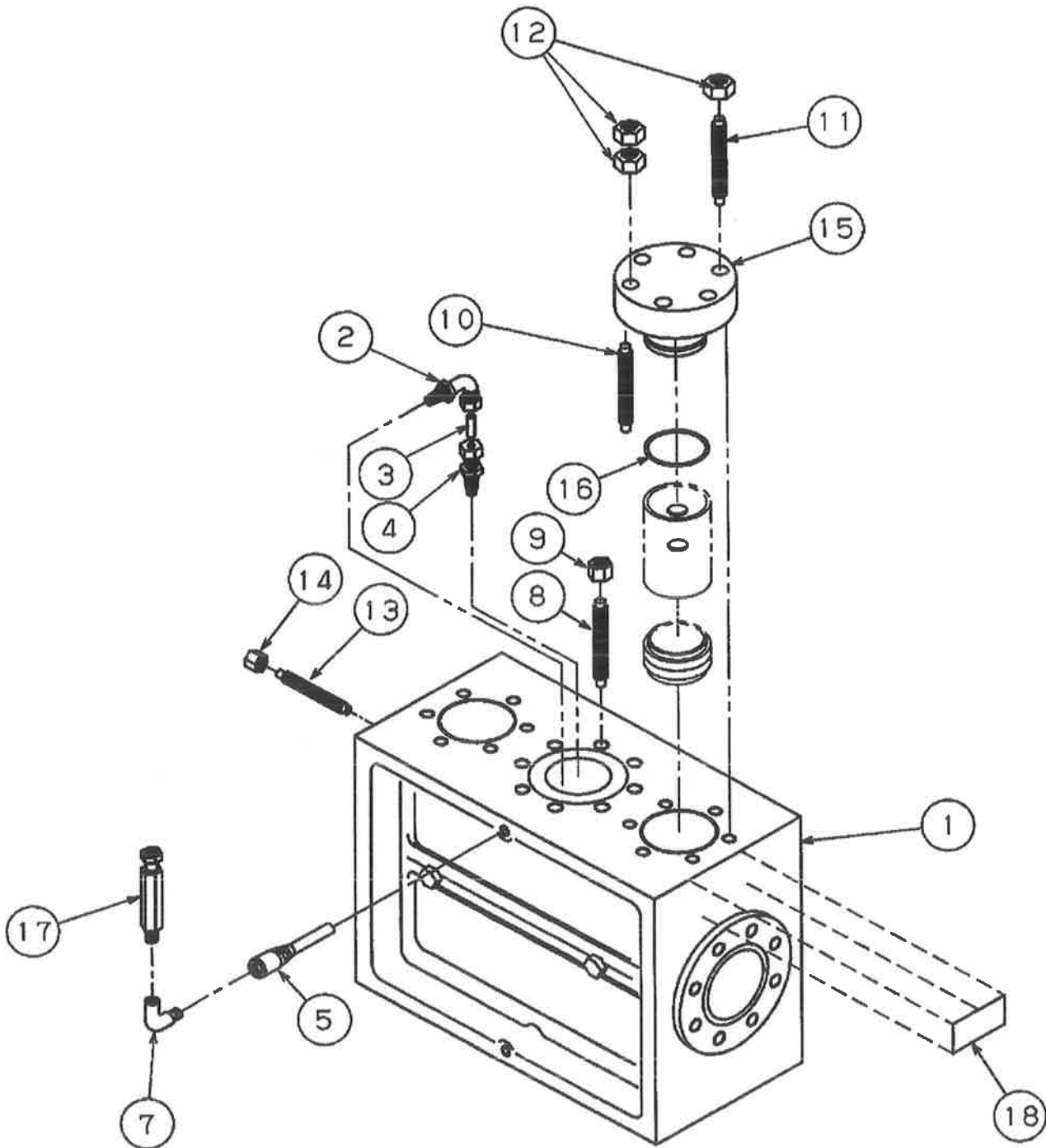
JUN 21 2002

ILLUS. NO.	PART NUMBER	PART NAME	K I T	UNITS PER ASSEMBLY	M U L T I P L I C A T I O N	SPARES USAGE CODE
	.MLHJHA0601G4	CYLINDER 6.00		1.00	PC	
	.MLH50111G2	HEAD OUTER		1.00	PC	
	.MLH56190YG6	VALVE 48PF INLET		2.00	PCROC	
	.MLH56191YG6	VALVE 48 PF DISCH		2.00	PCROC	
	.MLH50115G2	ACCESS VALVE		4.00	PC	
	.MLH50113G15	PISTON 6.00 & ROD		1.00	PC	
	.MLH59960P1G1	PACKING HP PRGD		1.00	PC	
	.MLH51913BFG8	YOKE 18.00 HOS		1.00	PC	
	..MLH57758CG4	WIPER PRGD		1.00	PC	

+SEE ACCESSORY LITERATURE SECTION

# PARTS LIST

## CYLINDER ASSEMBLY



# PARTS LIST

CYLINDER 6.00

MLHJHA0601G4

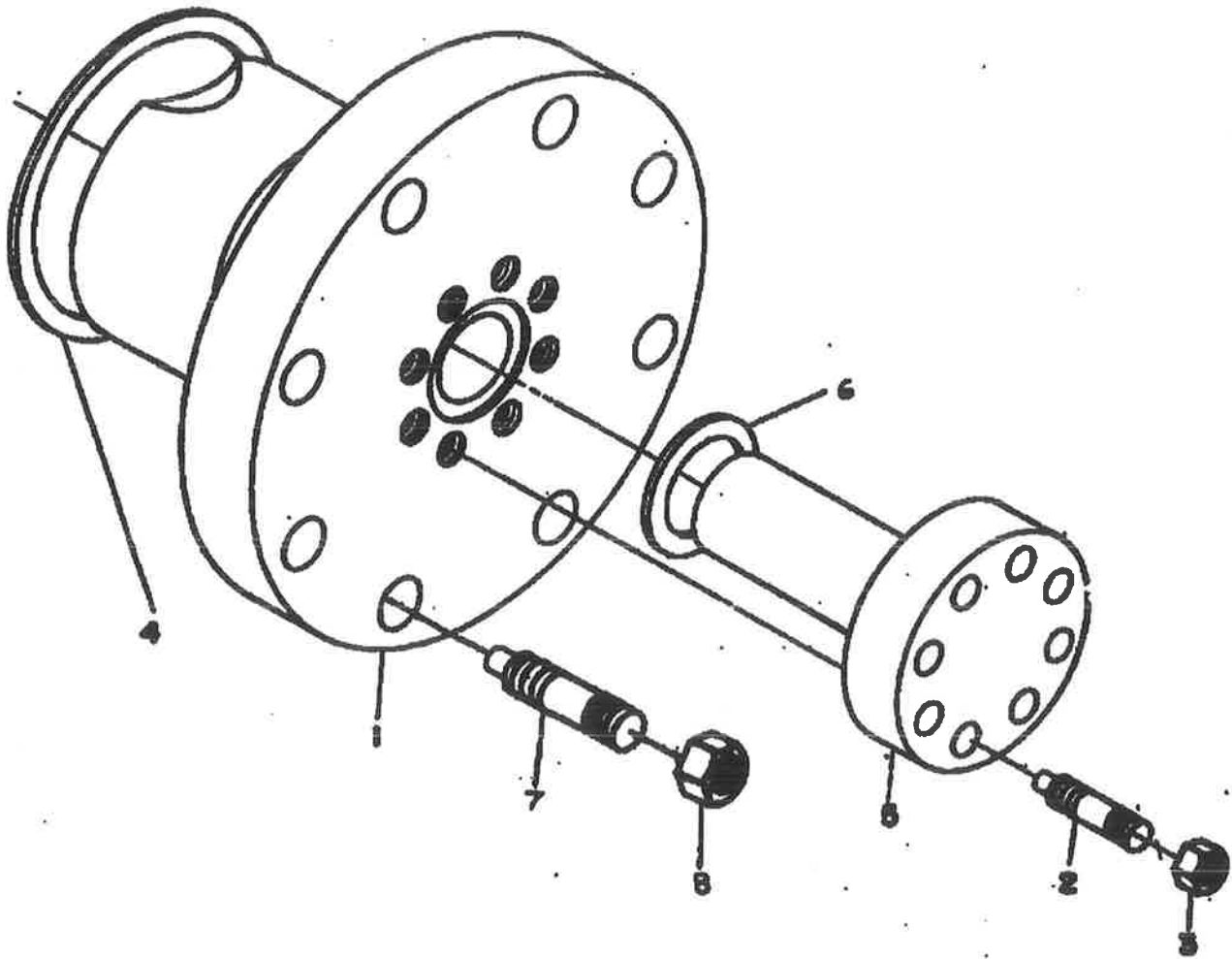
REV. 01B0893

ILLUS. NO.	PART NUMBER	PART NAME	UNITS PER ASSEMBLY	SPARES USAGE CODE
1	.1HJHM0601	CYLINDER 6.00	1.00	PC
2	.428A10S06	ELBOW MALE	2.00	PC
3	.33941501	TUBING 0.25X035W	36.00	IN
4	.426A10S06	CONNECTOR MALE	2.00	PC
5	.UAZM0003T1	ADAPTER QUILL	2.00	PC
7	.143A7TT2	ELBOW 90 DEG ST	2.00	PC
8	.R78164CX09050R	STUD	16.00	PC
9	.46A4K11	NUT HVY HEX	16.00	PC
10	.R78164X08049R	STUD	8.00	PC
11	.R78164X08042R	STUD	16.00	PC
12	.38A4K10	NUT	32.00	PC
13	.R78164X06072R	STUD	4.00	PC
14	.38A4K8	NUT	4.00	PC
15	.R72100B	COVER VALVE	4.00	PC
16	.VBZP0001T430	ORING	4.00	PC
17	.R85226	VALVE CHECK	2.00	PC
18	.11117074	KIT NAMEPLATE	1.00	PC
	..HDZP0001	NAMEPLATE CYLINDER	1.00	PC
	..11065554	NAMEPLATE WARNING	1.00	PC
	.VAHK0601	KIT GASKET	1.00	PC
	..VBZP0001T430	ORING	4.00	PC
	..X1498T29F	GASKET PKG CASE	1.00	PC
	..39A11C9	GASKET	2.00	PC

+SEE ACCESSORY LITERATURE SECTION

# PARTS LIST

## OUTER HEAD ASSEMBLY



# PARTS LIST

HEAD OUTER

MLH50111G2

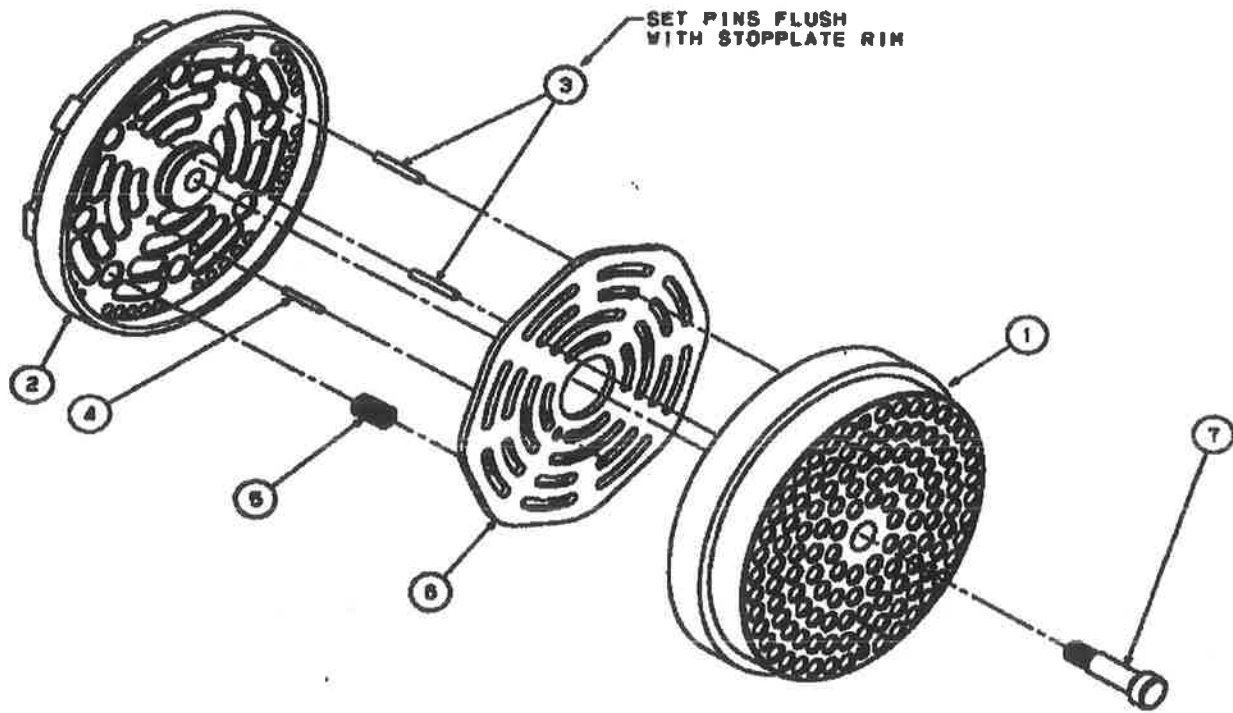
REV. 95B0188

ILLUS. NO.	PART NUMBER	PART NAME	KIT	UNITS PER ASSEMBLY	UNITS	SPARES USAGE CODE
1	.H50079	OUTERHEAD 6.00 HOS		1.00	PC	
2	.R78164X05032R	STUD		8.00	PC	
3	.38A4K7	NUT		8.00	PC	
4	.H32894T24	GASKET HOS 6.00		1.00	PCROCEM	
5	.R72083	PLUG HOS 6.00		1.00	PC	
6	.30A11F0300X24	GASKET		1.00	PCROCEM	
7	.R78164CX09048R	STUD/OUTER HEAD		8.00	PC	
8	.46A4K11	NUT HVY HEX/OUT HD		8.00	PC	

\*SEE ACCESSORY LITERATURE SECTION

# PARTS LIST

## 48 PF INLET VALVE



H56190Y

# PARTS LIST

VALVE 48PF INLET

MLH56190YG6

REV. 01

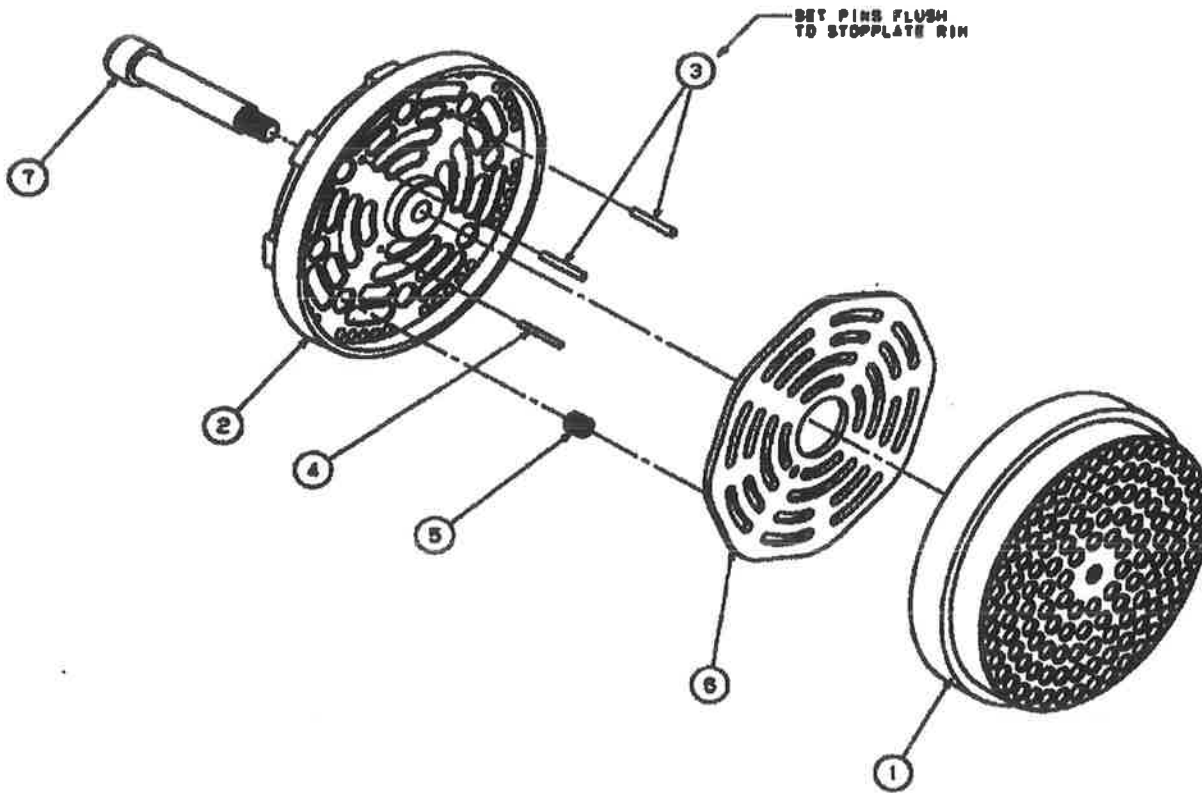
ILLUS NO.	PART NUMBER	PART NAME	KIT	UNITS PER ASSEMBLY	UM N A S	SPARES USAGE CODE
		.080 LIFT				
1	.F36931M	SEAT INLET		1.00	PC	EM
2	.F36932VT3	STOPPLATE INLET		1.00	PC	
3	.25A13C96	ROLLPIN		2.00	PC	OEM
4	.25A13C67	ROLLPIN		1.00	PC	OEM
5	.PP1344	SPRING		8.00	PC	ROCEM
6	.H56183AP1	PLATE VALVE		1.00	PC	ROCEM
7	.121A2A204	SCREW SKT SHLDR		1.00	PC	OEM
		/USE LOCTITE #242				
		/TO ASSEMBLE ITEMS				
		/2 & 7				

+SEE ACCESSORY LITERATURE SECTION



# PARTS LIST

## 48 PF DISCHARGE VALVE



H56191Y

# PARTS LIST

VALVE 48 PF DISCH

MLH56191YG6

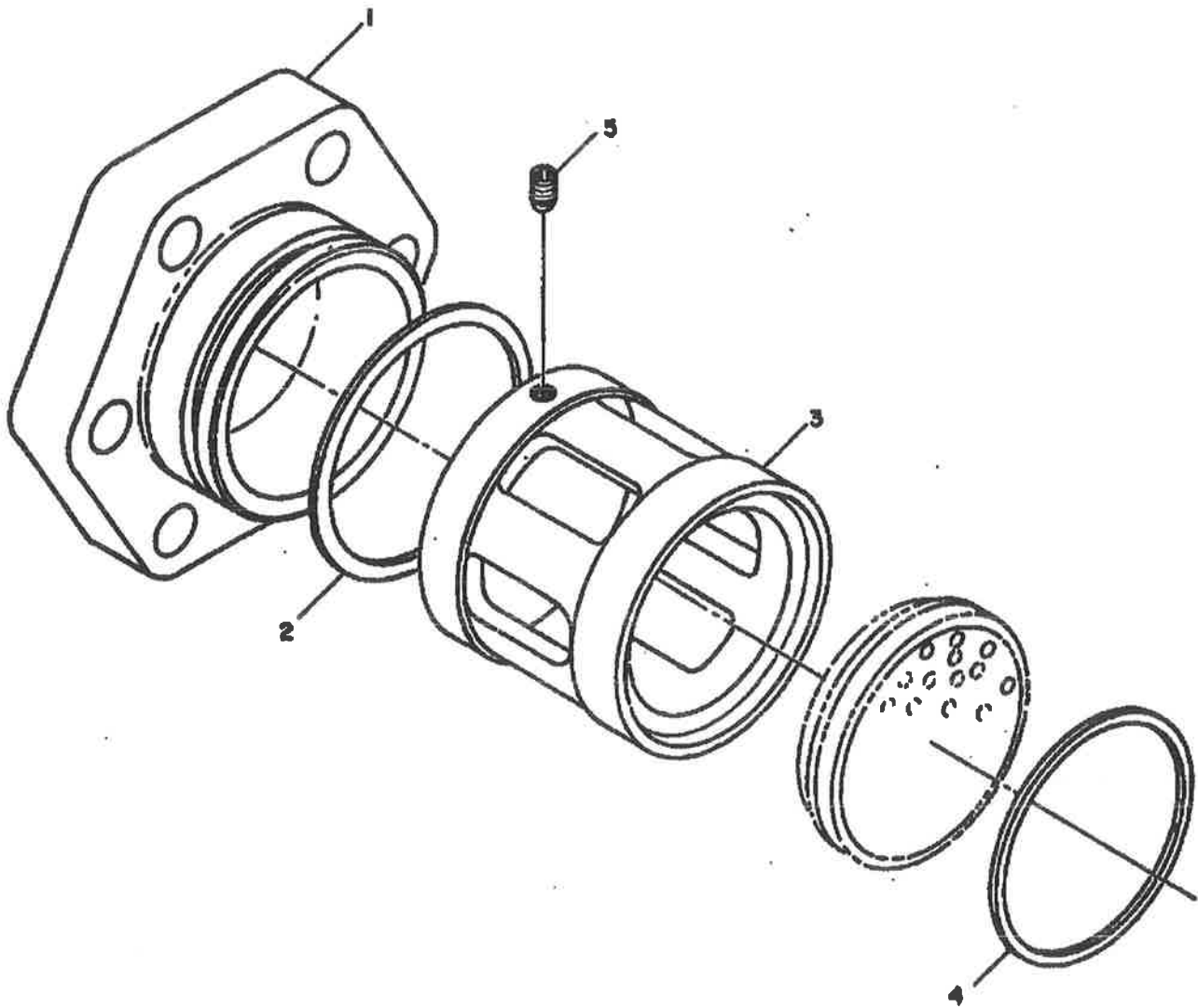
REV. 01

ILLUS. NO.	PART NUMBER	PART NAME	UNITS PER ASSEMBLY	QTY	SPARES USAGE CODE
		/.080 LIFT			
1	.F36933M	SEAT DISCHARGE	1.00		PCEM
2	.F36934WT3	STOPPLATE DISCHARGE	1.00		PC
3	.25A13C96	ROLLPIN	2.00		PCOEM
4	.25A13C67	ROLLPIN	1.00		PCOEM
5	.PP1344	SPRING	8.00		PCROCEM
6	.H56183AP1	PLATE VALVE	1.00		PCROCEM
7	.121A2A204	SCREW SKT SHLDR	1.00		PCOEM
		/USE LOCTITE #242 /TO ASSEMBLE ITEMS /1 & 7			

+SEE ACCESSORY LITERATURE SECTION

# PARTS LIST

## VALVE ACCESSORIES



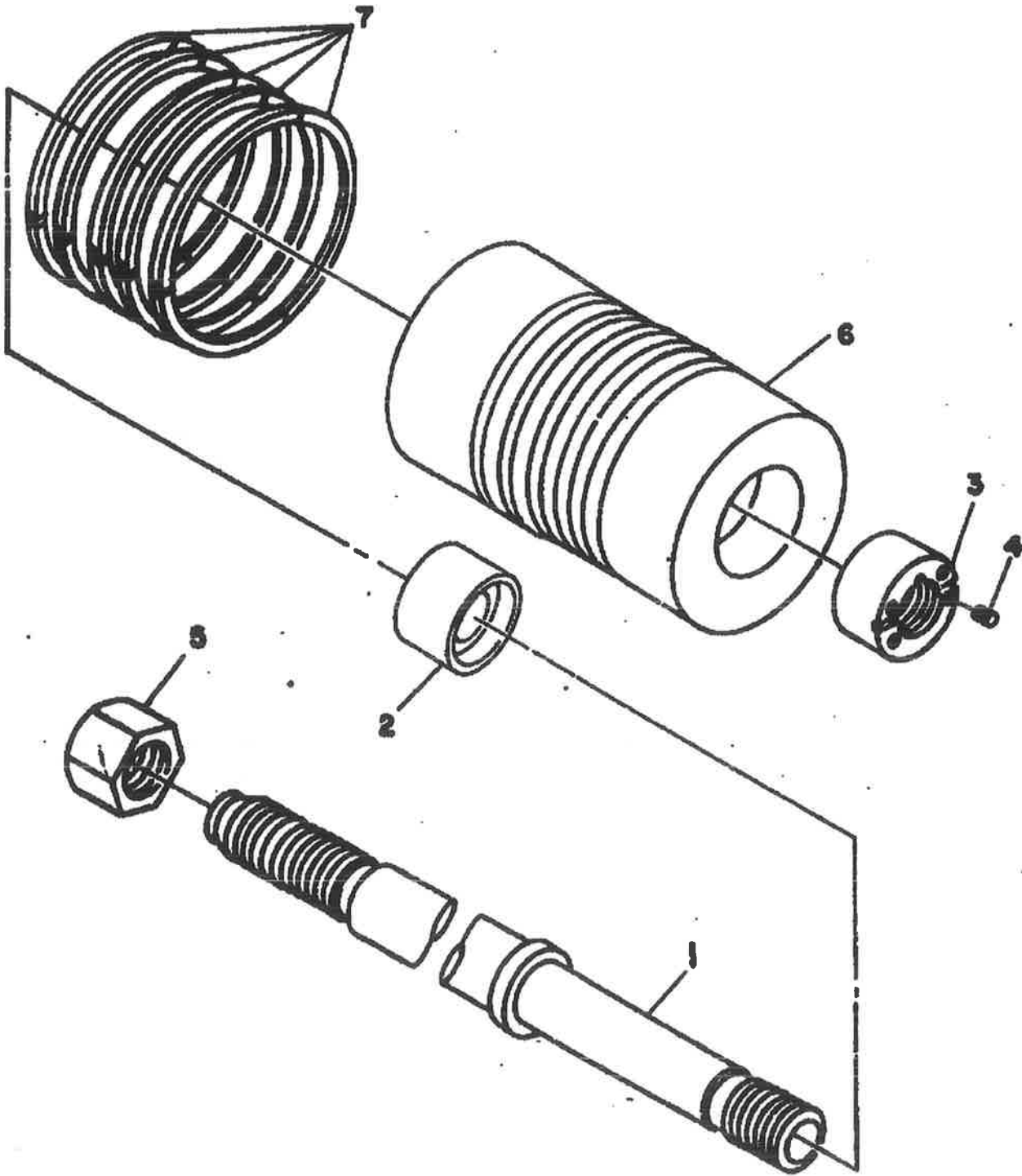
H60115

# PARTS LIST

ACCESS VALVE		MLH50115G2	REV. 01
ILLUS. NO.	PART NUMBER	PART NAME	UNITS PER ASSEMBLY
		/FOR PART /ILLUS NO 1&2 /SEE CYL ASSY	
3	.R72082P1	CRAB VALVE	1.00PCEM
4	.30A11F0540X12	GASKET	1.00PCROCEM
5	.112A2A23	SETSCREW HEX SKT	1.00PCEM
+SEE ACCESSORY LITERATURE SECTION			

# PARTS LIST

## PISTON & ROD ASSEMBLY



H50113

# PARTS LIST

PISTON 6.00 & ROD

MLH50113G15

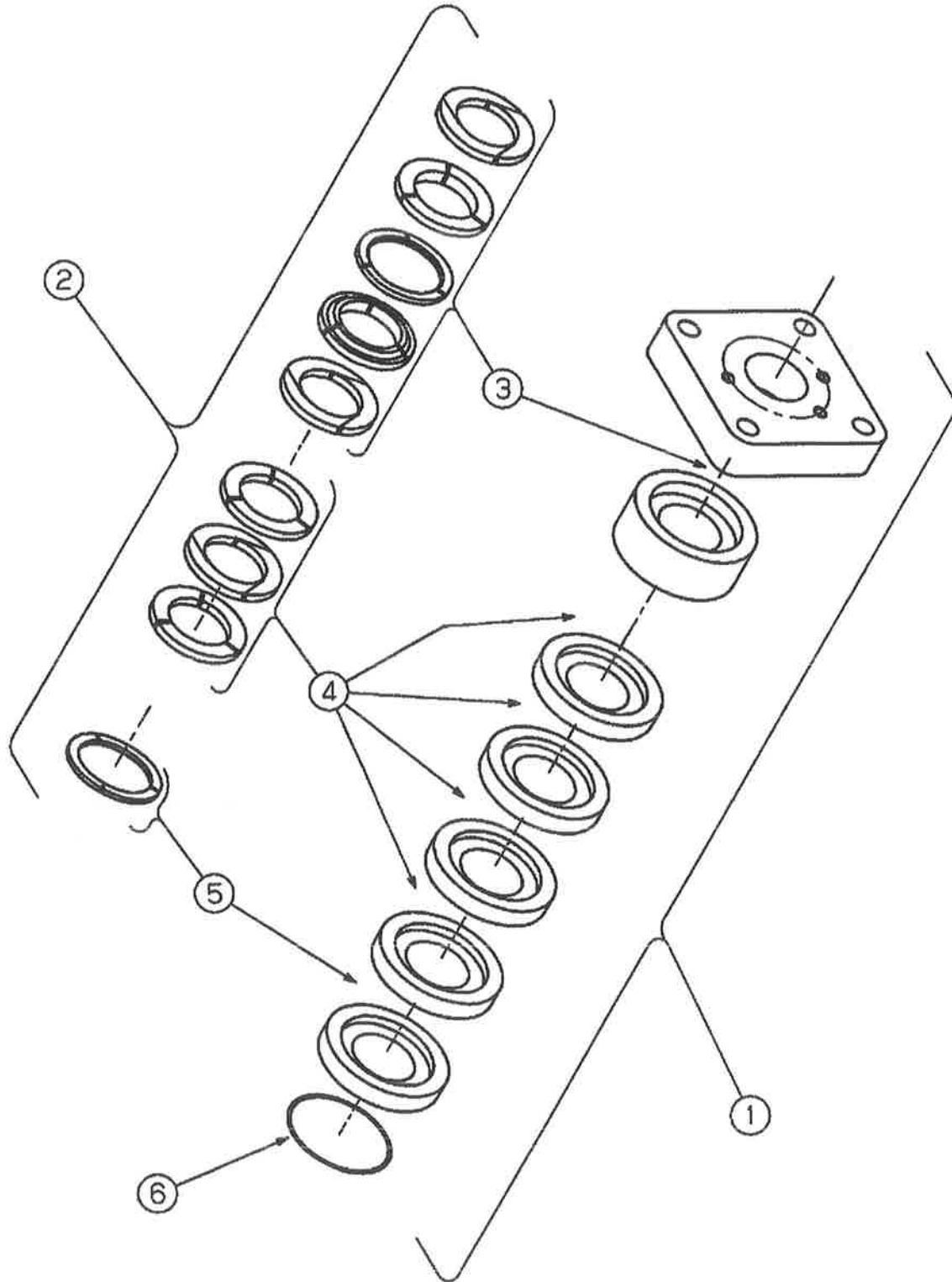
REV. 01

ILLUS. NO.	PART NUMBER	PART NAME	K I T	UNITS PER ASSEMBLY	U N I T S	SPARES USAGE CODE
1	.IEHM0204T1	ROD PISTON		1.00	PC	
2	.W139437	COLLAR PISTON HOS		1.00	PCN	
3	.W98966	NUT PISTON RDS		1.00	PCN	
4	.109A2S44	SETScrew HEX SKT		1.00	PCN	
5	.X1010T12	NUT ROD LOCKING		1.00	PCN	
6	.H50084P6	PISTON 6.00		1.00	PCN	
7	.11065687	RING PISTON RIDER /TIGHTEN PISTON NUT /60 DEGREES /PER INSTRUCTION /BOOK		5.00	PCROCEM	

\*SEE ACCESSORY LITERATURE SECTION

# PARTS LIST

## ROD PACKING COMPLETE



H59960P1

# PARTS LIST

PACKING HP PRGD

MLH59960PIG1

REV. 02B0333

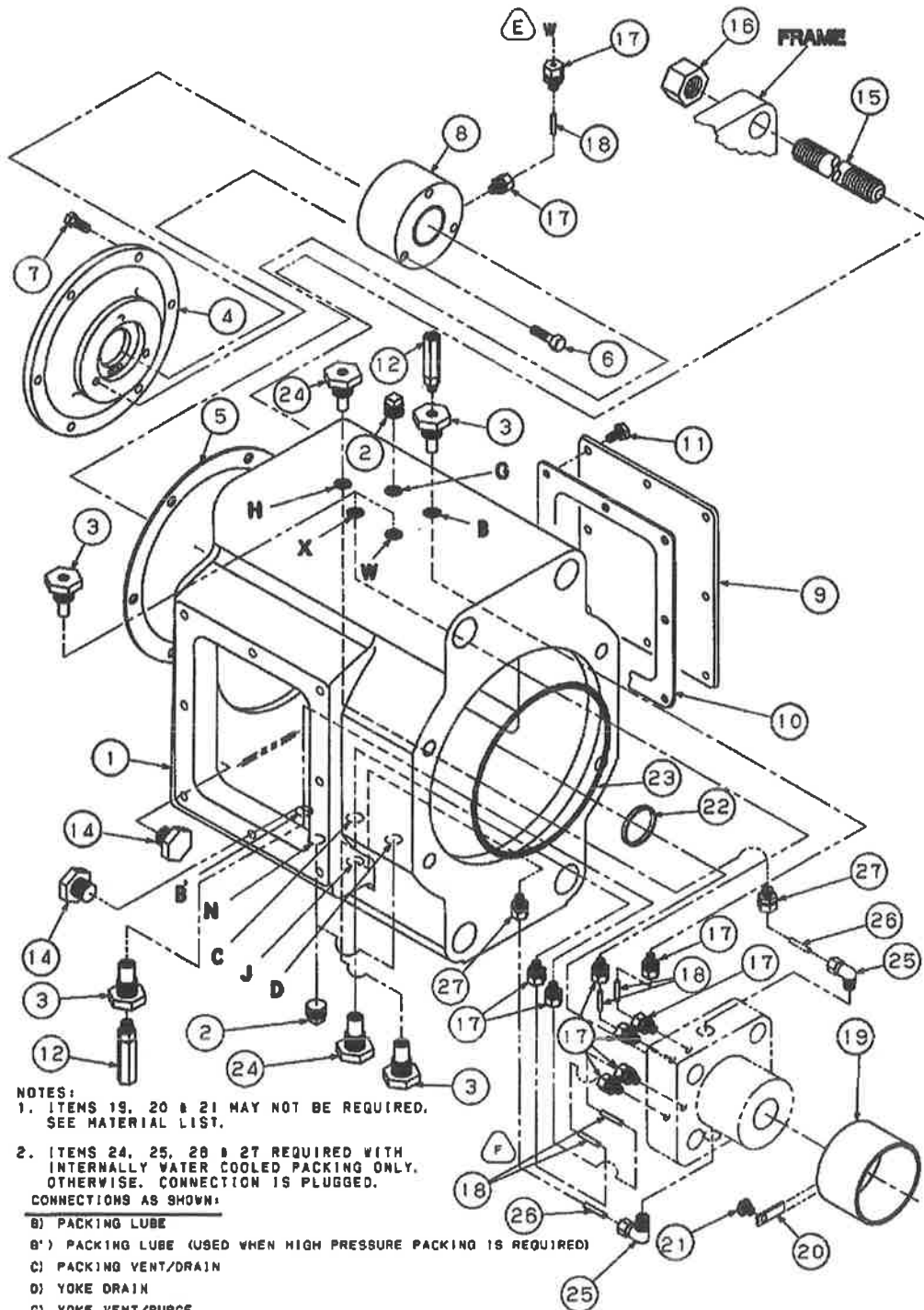
ILLUS. NO.	PART NUMBER	PART NAME	UNITS PER ASSEMBLY	QTY	SPARES USAGE CODE
1	.H59951P1	CASE PKG PURGED	1.00	PC	
2	.KDHK0011	RING SET RENEWAL	1.00	PC	
3	..KDHP0011	RING PKG PURGED	1.00	PC	
4	..14A11MB40	RING PACKING	4.00	PC	
5	..7A11B40H	RING PACKING	1.00	PC	
6	.X1498T29F	GASKET PKG CASE	1.00	PC	ROCEM

+SEE ACCESSORY LITERATURE SECTION



# PARTS LIST

## YOKE ASSEMBLY



**NOTES:**

1. ITEMS 19, 20 & 21 MAY NOT BE REQUIRED.  
SEE MATERIAL LIST.

2. ITEMS 24, 25, 26 & 27 REQUIRED WITH  
INTERNALLY WATER COOLED PACKING ONLY.  
OTHERWISE, CONNECTION IS PLUGGED.

**CONNECTIONS AS SHOWN:**

- B) PACKING LUBE
- B') PACKING LUBE (USED WHEN HIGH PRESSURE PACKING IS REQUIRED)
- C) PACKING VENT/DRAIN
- D) YOKE DRAIN
- G) YOKE VENT/PURGE
- H) PACKING COOLANT DISCHARGE (IF REQUIRED)
- J) PACKING COOLANT INLET (IF REQUIRED)
- N) SPARE CONNECTION(S)
- V) VIPER PURGE
- X) PACKING PURGE

# PARTS LIST

YOKE 18.00 HOS

MLH51913BFG8

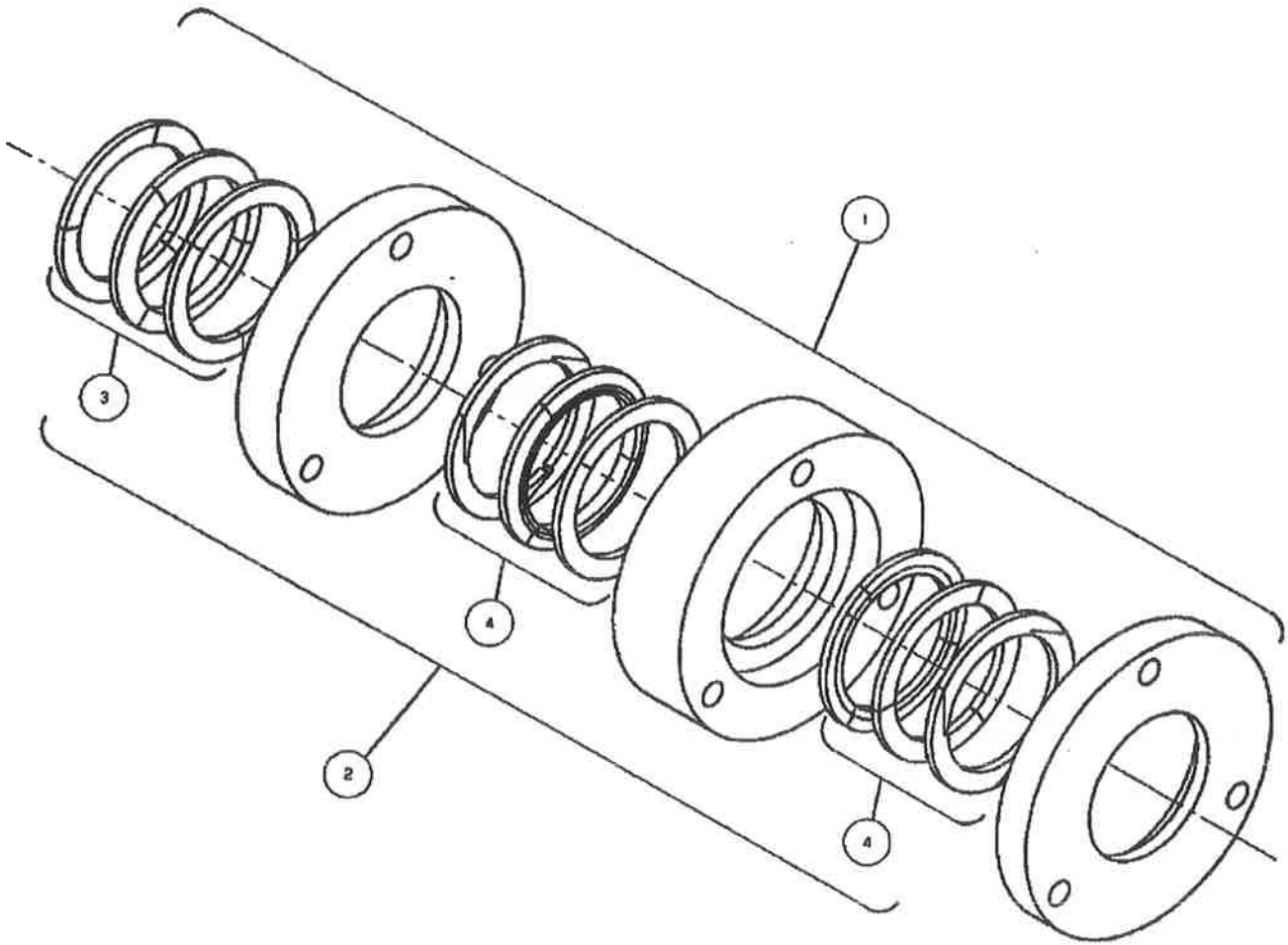
REV. 01B0727

ILLUS. NO.	PART NUMBER	PART NAME	UNITS PER ASSEMBLY	UNITS	SPARES USAGE CODE
1	.F32243	YOKE 18.00 HOS	1.00	PC	
2	.30A7C6	PIPE PLUG	6.00	PC	
3	.W47886	ADAPTER PIPE HHE	4.00	PC	
4	.R70691P1	OIL STUFFER HOS	1.00	PC	
5	.W139350	GASKET	1.00	PCROCEM	
6	.35A2C230	CAPSCREW	3.00	PC	
7	.35A2C219	CAPSCREW	6.00	PCOEM	
8	.MLH57758CG4	WIPER PRGD	1.00	PC	
9	.W78603	COVER YOKE RD HOS	2.00	PC	
10	.W78604	GASKET	2.00	PCROCEM	
11	.35A2C217	CAPSCREW	16.00	PC	
12	.33037417	VALVE CHECK LUBR	1.00	PCROCEM	
14	.35A2C382	CAPSCREW	8.00	PC	
15	.R70754P1	TIEROD HOS YOKE	4.00	PC	
16	.46A4K14	NUT HVY HEX	4.00	PC	
17	.426A10S06	CONNECTOR MALE	8.00	PC	
18	.33941501	TUBING 0.25X035W	48.00	IN	
22	.300018AK9	SEAL OIL DEFLECTOR /#19, 20, & 21 /NOT USED	1.00	PCROCEM	
23	.20A11CM279	ORING /ILLUS. #024, 025 /026 & 027 ARE NOT /USED.	1.00	PCROCEM	

\*SEE ACCESSORY LITERATURE SECTION

# PARTS LIST

## PURGED OIL SCRAPER



H57758C

# PARTS LIST

WIPER PRGD

MLH57758CG4

REV. 02B0025

ILLUS. NO.	PART NUMBER	PART NAME	K I T	UNITS PER ASSEMBLY	Q U A N T I T Y	SPARES USAGE CODE
1	.LEZP0001T3	CASE OIL SCRAPER		1.00		PCM
2	.12475091	RING SET RENEWAL		1.00		PCROCEM
3	..R79480T4G	RING OIL SCRAPER		1.00		PCROCEM
4	..5A11J40	RING PACKING		2.00		PCROCEM

\*SEE ACCESSORY LITERATURE SECTION



# DRESSER-RAND

---

## How to order replacement parts...

### **WARNING**

The use of repair parts other than those included within the Dresser-Rand approved parts list may create hazardous conditions over which the company has no control. Such hazardous conditions can lead to accidents that may be life-threatening, cause substantial bodily injury, or result in damage to the equipment.

*When ordering replacement parts, please specify:*

1. The SERIAL NUMBER as stamped on the machine nameplate.
2. The QUANTITY desired and the PART NAME and PART NUMBER, exactly as listed.

*Careful observance of the following will help us to fill your order correctly and promptly:*

- THE MACHINE SERIAL NUMBER MUST BE GIVEN WITH EVERY ORDER FOR PARTS. This number will be found on a nameplate attached to the unit. It consists of a combination of letters and numerals (Example: YRS312, YRH590, Y6R565, A17922). The serial number is often permanently stamped in the metal near the nameplate location.
- DO NOT use such terms as "complete" and "sets" unless these words appear specifically in the Parts List. State quantity wanted and give the part number and part name exactly as shown in the Parts List. DO NOT use illustration numbers when ordering parts.
- When ordering spares for parts not manufactured by Dresser-Rand Company, such as Lubricators, Magnetos, Oil Pumps, Governors, etc., always give the serial or type numbers of these parts as well as the Dresser-Rand machine serial number. This will enable us to more quickly send the correct material, as manufacturers often make changes over which we have no control.
- If returning parts for inspection or repair, be sure to include the serial number of the machine from which the parts were removed.

# How to use approved parts lists...

## **PARTS LIST INDEX**

The assemblies and major subassemblies comprising the complete unit are listed in the index in the order in which they are displayed and broken down in the Parts List. The Part Number for each assembly and major subassembly listed in the index appears at the top right corner of the Parts List which lists the subassemblies and individual parts of that assembly.

## **PARTS LIST**

The Parts List contains the listings and illustrations of the parts for your unit. Interpretation of the Parts List is described on the next page.

### **NOTE**

Some illustrations may have illustration numbers which do not appear in the Parts List. This simply means those parts are not used on your unit.

A plus (+) sign next to a part name indicates that sub-manufacturer's literature for that part is available elsewhere in the Service Manual. A notation at the bottom of the parts list page calls attention to this fact.

## **RECOMMENDED SPARE PARTS DATA**

The spare parts data shown in the Spares Usage Code column of the Parts List identifies for you those Spare parts which you may require in the maintenance of the Dresser-Rand equipment.

It is desirable to forecast as accurately as possible your requirements for Spare Parts to assure that the necessary parts and materials will be available when needed to keep your equipment in efficient and continuous operating condition.

We feel that you are in a better position than we to decide how much you wish to invest in Spare Parts. The importance of minimizing shut-down time due to possible breakdowns in operation, together with the distance from source of supply and transportation facilities, should be considered when ordering spare parts.

**MAINTAIN THE MAXIMUM OPERATING CHARACTERISTICS AND DEPENDABILITY OF YOUR EQUIPMENT BY USING GENUINE DRESSER-RAND SPARE PARTS.**

# How to interpret parts list columns...

**ILLUSTRATION NUMBER COLUMN**

The illustration number is the item number assigned to the part in the listing. This illustration number identifies the part on the associated illustration. When a parts list has no illustration this column is left blank.

**SPARES USAGE CODE COLUMN**

This column identifies parts that are recommended under one or more of five classes of spare parts.

Spare Usage Code	Definition
R	Parts normally consumed during routine operation.
O	Parts normally used for overhaul.
C	Parts for convenience in minimizing down time at overhaul periods.
E	Insurance items normally consumed over an extended period.
M	Insurance items required for major failure, otherwise not likely to be consumed.

**PART NAME COLUMN**

This column contains standard noun-names with major modifiers. When ordering an item, give the Part Name exactly as shown.

ILLUS. NUMBER	PART NUMBER	PART NAME	KIT	UNITS PER ASSEMBLY	UNITS	SPARES USAGE CODE
	PISTON & ROD	MLH43705CG1				

**PART NUMBER AND NAME FOR THE TOTAL ASSEMBLY**

Includes all parts listed.

**KIT CODE COLUMN**

This column indicates parts that are included in one or more kits.

Code	Definition
G	Item included in a Gasket Set.

**PART NUMBER COLUMN**

All numbers shown are Dresser-Rand Part Numbers. The relationship of a part to its next higher assembly is indicated by indenture in the Part Number column. An included item is denoted by indenture under the item with which it is included. For example:

PART NUMBER	PART NAME
1H28571A	Liner
W54857A	O-Ring
W81556	Gasket

When ordering any part having an indented line or lines following the part, the indented items are always included with the part.

Indented items may also be ordered separately.

**UNITS PER ASSEMBLY COLUMN**

The quantities specified in this column indicate the number of parts used per next-higher-assembly and are not necessarily the total number used in the complete unit.

**UNITS OF MEASURE COLUMN**

This column designates what unit of measure is applicable for a particular part number. Examples of this are:

PC = piece	HA = halves
IN = inch	GA = gallons
FT = feet	QT = quarts
SI = square inch	LB = pounds
SF = square feet	



## **Sales Support Operation...**

**DRESSER-RAND**  
**Gas Field Compressors**  
5710 S. Garnett  
Tulsa, OK 74146-6843

Phone (918) 254-4099  
Fax (918) 252-9055

# **DRESSER-RAND**

---

## **SUB-MANUFACTURER'S EQUIPMENT**

The instructions and replacement parts lists for sub-manufacturer supplied equipment are located in this section. The content of these instructions and parts lists are the responsibility of the particular sub-manufacturer. Prices that may be given in the literature are those of the manufacturer and not those of Dresser-Rand Company; no assurance can be given that these prices were current at the time this Service Manual was issued.

# **OPERATING INSTRUCTIONS**

## **BASCO TYPE "500" EXCHANGERS**

### **INSTALLATION**

Except when the hot fluid is dirty or is prone to fouling, it is preferable to pass the cooling medium through the tubes and the hot medium through the shell. Since the tubes can be mechanically cleaned it is sometimes advantageous to pass the hot dirty fluid through the tubes. When installing a single pass unit the shell inlet must be at the same end of the exchanger as the tubeside outlet.

When the BASCO Type "500" is used with steam as the heating medium, the steam must be in the shell. Either or both shell connections may be used as steam inlets.

### **OPERATION**

At start up or after maintenance inspection, both shell and tubeside should be carefully vented and full of liquid. Improper venting and fouling are the most common causes of heat exchanger malfunction.

To obtain maximum performance the following precautions should be taken:

1. Make sure all other equipment in the fluid circuits are functioning properly.
2. Maintain rated flow of both fluids but be sure flow rates are not excessive. Frequently tube failures can be directly traced to excessive fluid flow, causing tube erosion and corrosion. In the case of heavy oils high flow rates can reduce cooler efficiency.
3. A periodic venting program should be followed if air or vapor tends to accumulate in the system.
4. Observe a regular maintenance program.

### **INSPECTION**

A periodic inspection and maintenance program should be followed with any heat exchanger. To ensure continuous satisfactory performance of your Type "500" exchanger the following steps should be taken:

1. Inspect filters in system and replace or clean as required.
2. Remove bonnets from heat exchanger and inspect the zinc pencils for erosion or oxide deposits. Scrape to bright surface and replace if more than half corroded away.
3. Carefully examine tubes for scale and clean if necessary. After cleaning, examine for erosion or corrosion.

### **CLEANING**

The interior surfaces of the tubes can be cleaned in several ways. Many deposits can be removed by flushing a high velocity stream of water through them. For more stubborn deposits, wire brushes or rods can be used. If the special air or water gun is available rubber plugs can be forced through the tubes.

Both shell and tubeside can be cleaned chemically by circulating cleaning solutions through the exchanger. For most deposits a mild oakite solution is satisfactory. Circulate the cleaning solution until exchanger is clean. Be sure to wash out all chemicals thoroughly with clean water before returning the exchanger to service.



**AMERICAN PRECISION INDUSTRIES**

Basco Division

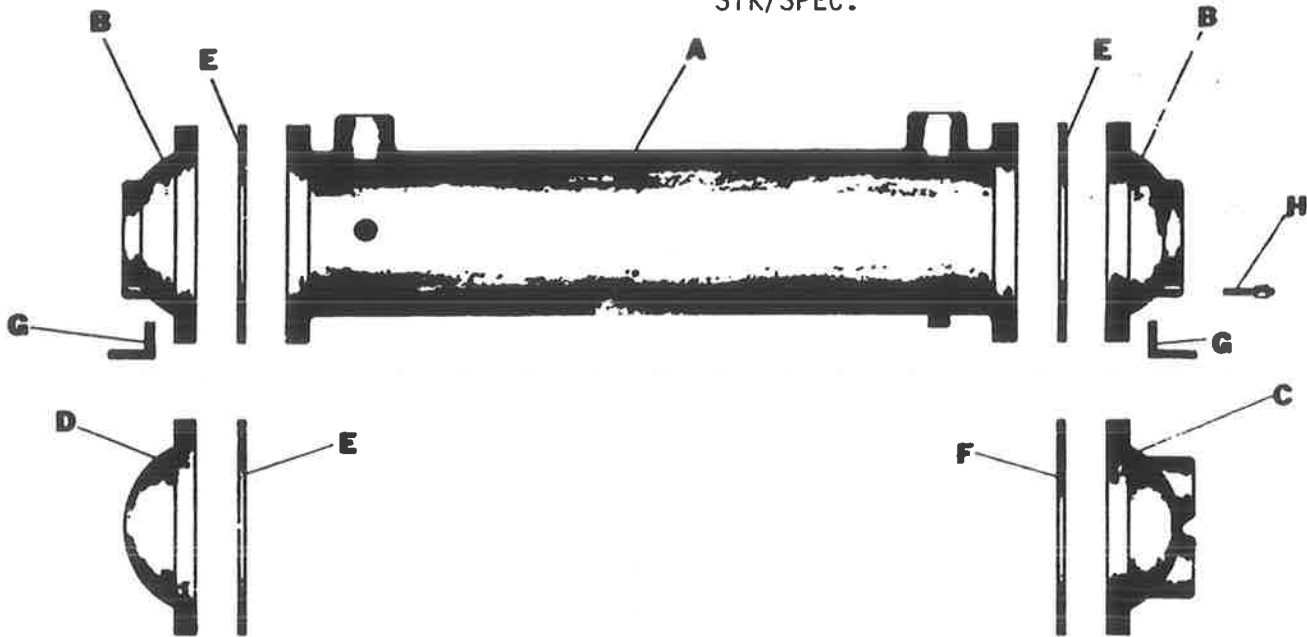
2777 Walden Ave, Buffalo, NY 14225 Tel: (716) 684-6700 • Fax: 684-2129

**PARTS LIST**

Type "500" Heat Exchanger - Size 08036-L-4PASS

Customer DRESSER RAND  
Customer P.O. No. PGCG870320C  
Customer Part No. W106865

Basco Ct. No. 3-9510056  
Basco Serial No. 9510056-0101thru0103  
Basco Drawing No. 6A24A08036  
STK/SPEC.



A - Core Assembly 6A23C08036

B - Single Pass Bonnet \_\_\_\_\_

C - Inlet-Outlet Bonnet 32D02E8

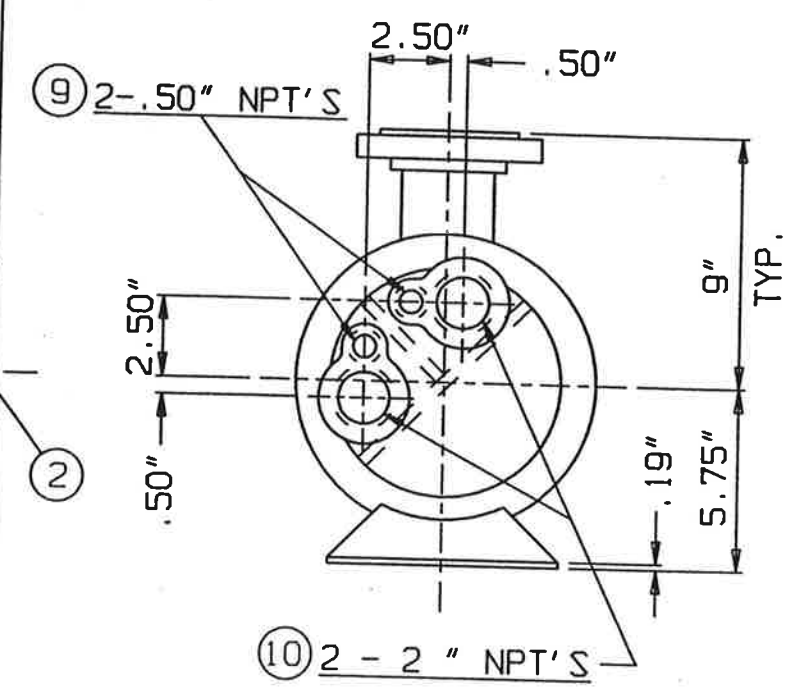
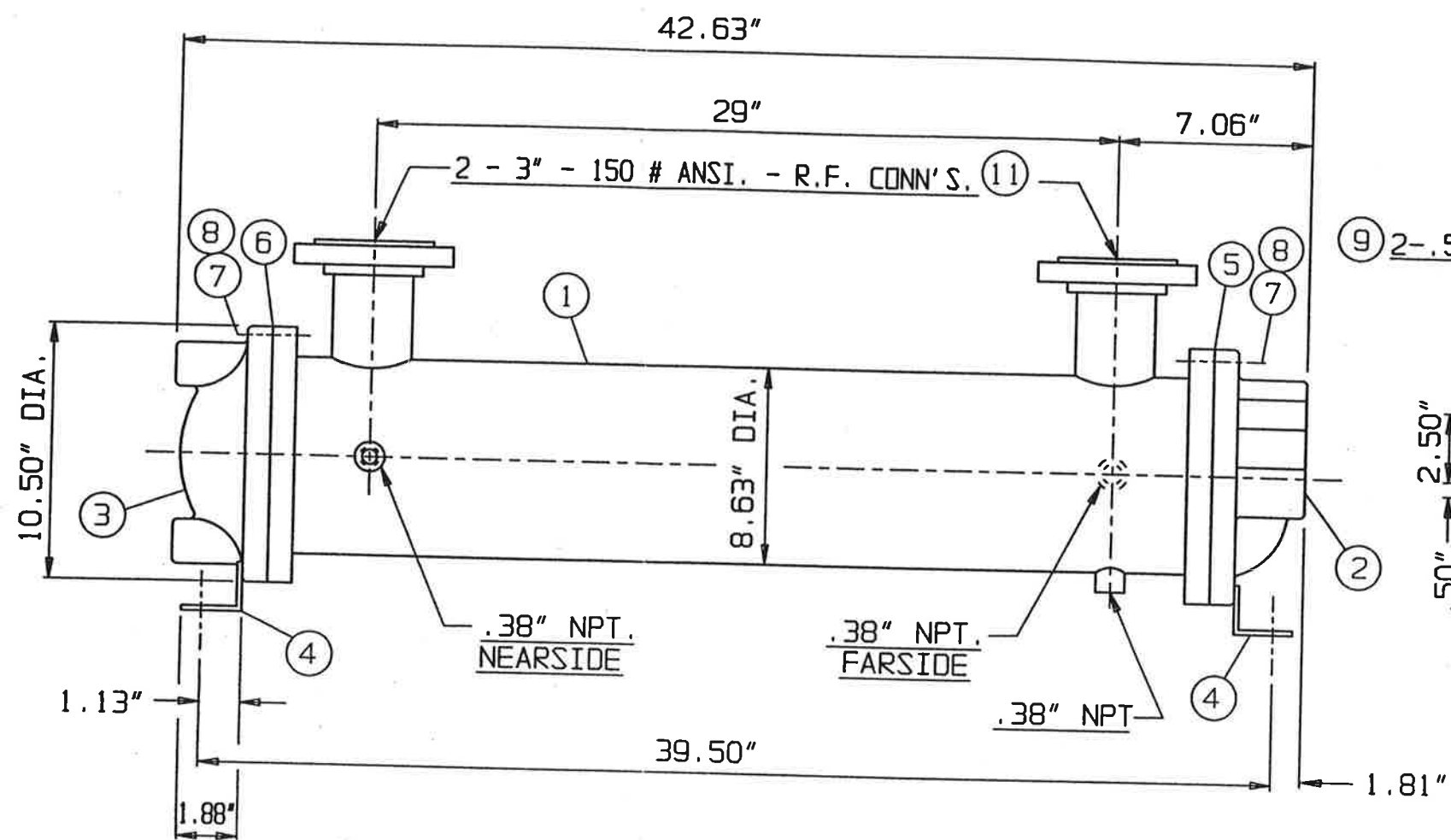
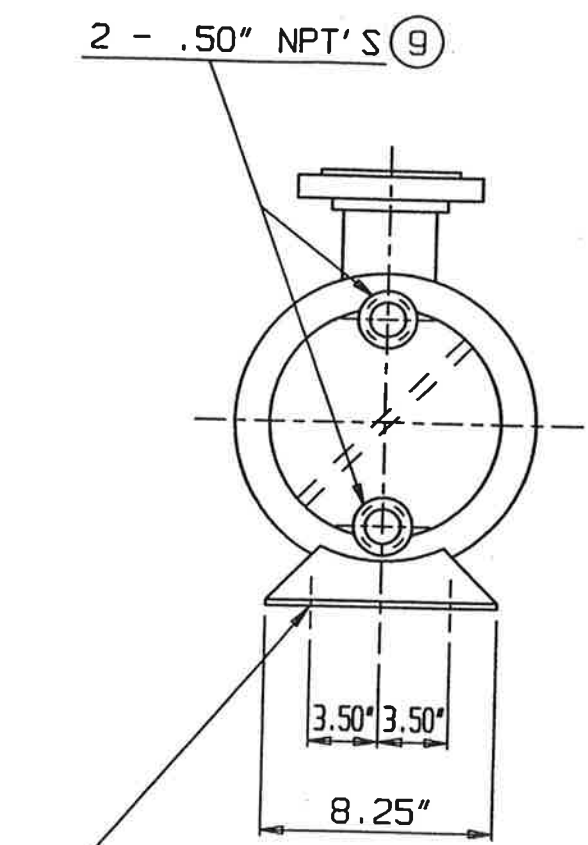
D - Reversing Bonnet 33D02E8

E - Gasket 031G01A-8

F - Gasket 032G01A-8

G - Mounting Bracket 4501X-8

H - Zinc Pencil \_\_\_\_\_



2 - .63" X .88" SLOTTED HOLES EACH SUPPORT

NOTE:  
1. ALL BOLT HOLES TO BE EQUALLY SPACED AND TO STRADDLE THE CENTERLINES.

FS	13			PAINT ( BASCO STANDARD )						
FS	12	1		NAMEPLATE						95-4000
FS	11	2		SHIPPING COVER ASS'Y. 3" - 150 # FLG.	A	11W01X03		STN STL		95-5105
FS	10	2		SHIPPING PLUG 2" NPT. SIZE						95-0630
FS	9	4		PIPE PLUG 1/2" NPT. SQ. HD.				PLASTIC		95-0048
FS	8	24		HEX NUT 3/8" - 16 T.P.I. FINISHED				STEEL		80-4020
FS	7	24		CAPSCREW 3/8" - 16 T.P.I. X 2" LG.				STEEL		90-0819
FS	6	1		GASKET (REV.)				STEEL		90-2156
FS	5	1		GASKET (IN/OUT)	A	031G01A-8		NON-ASB		92-0086
FS	4	2		CRADLE	A	032G01A-8		NON-ASB		92-0088
FS	3	1		BONNET (REV.)	A	4S01X-8		STEEL		19-0081
FM	2	1		BONNET (IN/OUT)	A	33D02E8		CAST IRON	SA-278-35	10-0843
M	1	1		CORE ASS'Y	A	32D02E8		CAST IRON	SA-278-35	A-11329
					B	6A23C08036				05-1838

DRAWING REDRAWN BY WFR ON 1-20-94

DIMENSIONS & DATA		DESIGN DATA		SHELL	TUBE	NO.	DESCRIPTION	BY	DATE	DWG. NO.	DWG. SIZE	MAT'L.	SPECIFICATIONS	PART NO.
CERTIFIED FOR		DES. PRESS. P.S.I.G.	210	150	5	REVISE MAT'L. ITEM# 5 & 6 WAS NON-ASB. BLUEGUARD NOW BASCO STD. NON-ASB.	CFA	8-18-94		SPECIAL TYPE "500"		BASCO AMERICAN PRECISION INDUSTRIES INC.		
CUST. ORDER # 609033290		TEST PRESS. P.S.I.G.			4	REVISE CODE # ITEM # 11 CODE WAS 95-0830 NOW 95-0630.	CFA	11-9-93		4 PASS ASSEMBLY		SIZE	DRAWING NUMBER	REV.
OUR ORDER # 3971055-101		DES. TEMP. °F	300	300	3	REVISE ITEM'S # 5 & 6 WAS ASB. NOW NON-ASB. BLUEGUARD.	CFA	9-17-85		3/8" TUBES "L" SPA		B	6A24A08036	6
BY KYO DATE 9-19-97		CODE: COMMERCIAL STD.			6	ADDED CKD. INITIALS.	FO	4-14-97		BY: CFA DATE: 10-13-70 CKD: FO DATE: 4-14-97		STOCK SPECIAL 01-1838		



# 8900/8910 Filter Series SERVICE INSTRUCTIONS

## 1. General Sources of Information:

Reference should be made to PIHC Low/Medium Pressure Filter Catalog for dimensions, operating parameters assembly and element part numbering, ordering information and notes and specifications. The Bulletin is available through your local Pall Industrial Hydraulics Distributor or directly from Pall Industrial Hydraulics Corporation, 2200 Northern Blvd., East Hills, New York 11548, Telephone number (516) 484-5400.

## 2. Specifications:

### Housing Materials:

Head: Gray Cast Iron  
Bowl: Carbon Steel  
Ring: Ductile Iron

Maximum Operating Pressure:  
600 psi (41 Bar)

Maximum Operating Temperature Range:  
-45°F to 225°F (-43°C to 107°C) with nitrile seals  
-20°F to 250°F (-29°C to 121°C) with fluorocarbon seals  
140°F (60°C) maximum in HWCF or water glycol fluids

Element Collapse Rating: 150 psid (10 Bar) minimum

### Bypass Valve Setting Options:

50 ± 5 psid (3.4 ± 0.34 Bar) cracking pressure  
25 ± 5 psid (1.7 ± 0.34 Bar) cracking pressure

Seals: Nitrile or Fluorocarbon standard O-rings.

The actual operating conditions should be checked by the user to ensure that the element, housing and all seals are compatible with the fluid and application, and are within local safety codes. Please contact Pall Industrial Hydraulics Corporation or approved distributor if further information is required.

**CAUTION:** Maximum surge flow should not exceed 1.3 times normal flow.

## 3. Installation of Housing:

3.1 The filter can be installed in any attitude, but for ease of servicing, it is recommended that it is installed vertically with the filter bowl pointing downwards. A minimum clearance of 2½" (64 mm) should be allowed beneath the bowl for installation and removal of filter element.

3.2 Flanged differential pressure devices, when fitted, must have screws torque tightened to 23 lb. in. (2.6 Nm). Threaded differential pressure devices, when fitted, must be torque tightened to 40 lb. ft. (54 Nm). All visual indicators must be clearly visible.

NOTE: Head has a machined port for a differential pressure warning device; flanged ports may be sealed with an H\*8630BL or threaded ports may be sealed with an HA9000-kit port plug kit. Never place the port plug kit in this port without first installing the lower O-ring in lower O-ring groove, otherwise a small bypass flow will result, allowing contaminant downstream of the filter element.

3.3 Mount the filter assembly in position using four bolts in the ½-UNC x 1" full threaded holes in the head assembly.

3.4 Use check valve on outlet if there is a possibility of reverse flow.

**CAUTION:** Reverse flow through filter element will cause damage.

3.5 Connect lines or hoses to ports.

**WARNING!** USE FITTINGS OR ADAPTERS COMPATIBLE WITH PORTS SUPPLIED AS SHOWN BY PART NUMBER ON NAMEPLATE AND NOTED IN DATA SHEETS: USE OF INCORRECT FITTINGS OR ADAPTERS CAN CAUSE FILTER HOUSING OR MANIFOLD FAILURE RESULTING IN LOSS OF PRESSURE AND POSSIBLE SYSTEM FAILURE OR PERSONAL INJURY.

3.6 Bleed filter prior to operation: open bleed plug, if fitted, one and one half turns. Jog system and fill filter until all air bleeds through plug, then tighten plug. Pressurize system fully and check for leaks: if leaks occur refer to Section 4.

**CAUTION:** Failure to bleed filter housing adequately will increase the dissolved air content of the system fluid which will shorten fluid life and may cause other problems in the system.

3.7 Painting of the filter is optional. The black coating on the filter is a suitable painting base.

Note: Cover the differential pressure warning device and nameplate if painting of assembly takes place.

#### 4. Routine Maintenance:

4.1 Pall filters do not normally require special attention except for periodic monitoring of the differential pressure warning device. Schedule replacement of filter element every six months or sooner, and have ample supply of spare elements available.

4.2 If external leakage is noted, replace O-ring at leak. For bowl seal leaks, replace O-ring (3). If leakage persists, check sealing surfaces for scratches or cracks; replace any defective parts.

4.3 Differential pressure devices actuate when the element needs changing or because of high fluid viscosity in "cold start" conditions. If "cold start" conditions exist, see Section 5.2 and 5.3.

**CAUTION:** Continued operation of 8900/8910 bypass filters (valve options A or B) with differential pressure device actuated can allow unfiltered flow downstream. Continued operation of 8900/8910 non-bypass filters (valve options W) may cause collapse or premature fatigue failure of the plugged filter element, which could allow contaminant and unfiltered flow downstream. Refer to element change instructions in paragraphs 6.1 through 6.7.

4.4 A dirty system can quickly plug a new filter element, especially with Pall silt removal grade media. It may require one or two initial element changes to stabilize element life. If element life is short or differential pressure excessive, filter may be undersized; refer to the sizing and selection section of the PIHC Low/Medium Pressure Filter Catalog.

4.5 Make sure element change labels are clean and undamaged. Replace illegible labels with the appropriate new labels.

#### 5. Differential Pressure Devices:

Reference should be made to Product Brochure for dimensions, operating parameters, part numbering, ordering information and specifications. The Bulletin is available through your local Pall Industrial Hydraulics Distributor or directly from Pall Industrial Hydraulics Corporation, 2200 Northern Blvd., East Hills, New York 11548. Telephone (516) 484-5400.

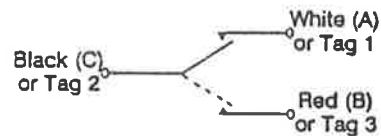
5.1 Differential pressure devices actuate when the element needs changing or because of high fluid viscosity in "cold start" conditions.

5.2 If visual indicator is fitted and actuates during "cold start" (orange sleeve or red button is visible), reset by depressing the button when the normal operating temperature is reached. If indicator actuates after resetting, replace element.

NOTE: Option "PL" or "PT" visual indicator has thermal lockout and manual reset. No signal below 32° F (0°C) signal above 80°F (29°C).

5.3 If electrical switch actuates (red light comes on) during cold start, continue operating until red light goes out as system warms to normal operating temperature (this feature can be used as "warm up" indication in operating procedures). If warning signal (red light) remains or appears when system is warm, replace element.

5.4 Use of both positive indication (green light) and negative indication (red light for dirty element) is recommended to effectively monitor filter element life.



Electrical Connections  
& Ratings for all differential  
pressure switch options

110 VAC = 4A (inductive),  
4A (resistive)  
220 VAC = 4A (inductive),  
4A (resistive)  
28 VDC = 3A (inductive),  
5A (resistive)  
48 VDC = 1A (inductive),  
1.5A (resistive)  
125 VDC = 0.25A (inductive),  
0.5A (resistive)

Maximum inrush - 24 amps  
UL, Inc. listed rating of Microswitch™  
4 amps at 250 VAC  
1/4 amp resistive at 110 VDC  
1/2 amp resistive at 110 VDC

Electrical Differential Pressure  
Switch Operation

When preset differential pressure is  
exceeded continuity switches from  
"C" - "A" to "C" - "B"  
When differential pressure  
decreases continuity returns to  
"C" - "A"

™: Honeywell

## 6. Filter Element Servicing:

Refer to Figure 1 or Service Parts List (Section 8) for item numbers. Remove and replace element as follows:

6.1 Turn off and depressurize the system. Open bleed plug (if fitted) one and one half turns.

**WARNING! FAILURE TO DEPRESSURIZE THE FILTER BEFORE SERVICING THE ELEMENT COULD RESULT IN EXPLOSIVE LOSS OF FLUID, DAMAGE TO EQUIPMENT, AND POSSIBLE PERSONAL INJURY.**

6.2 Unscrew and remove filter bowl (2) from head assembly (1), counterclockwise when viewed from below. It may be necessary to use a lever on the "Rotolok Ring" of the filter bowl (2) to loosen the bowl initially.

6.3 Remove filter element (4) and carefully inspect the surface for visible contamination. Normally no dirt should show, but visible dirt or particles can be an early warning of system component breakdown and can indicate potential failure. Discard both the filter element and its o-ring. The filter element is NOT CLEANABLE. Any attempt to clean the filter element can cause degradation of the filter medium and allow contaminated fluid to pass through the filter element.

**WARNING! DO NOT ATTEMPT TO CLEAN OR RE-USE ELEMENT.**

6.4 DO NOT run the system without a filter element (4) installed. Check that the O-ring (3) on the head assembly (1) is not damaged. Use replacement filter element part number called for on the element change label.

6.5 Lubricate element O-ring (5) with clean system fluid and push open end of filter element (4) straight onto the nipple in the head assembly (1). Clean out filter bowl (2) interior and lightly lubricate threads of filter bowl with clean system fluid. Screw filter bowl onto head assembly until it bottoms. O-RING SEALING IS NOT IMPROVED BY OVER TIGHTENING.

**WARNING! DO NOT USE PIPE WRENCH, HAMMER OR ANY OTHER TOOL TO TIGHTEN BOWL.**

6.6 Bleed the system and check for leaks as per Section 4.

6.7 After element change ENSURE DIFFERENTIAL PRESSURE DEVICE IS RESET BY PUSHING IN THE BUTTON; electrical switches reset automatically. When system reaches normal operating temperature, check that the electrical switch has not actuated and/or the visual warning button has remained depressed. If visual indicator rises due to a cold start condition, reset again as per section 5.

## 7. Warranty, Limitation of Liability and Remedies:

THERE IS NO WARRANTY OF MERCHANTABILITY OR FITNESS FOR ANY PARTICULAR PURPOSE WITH RESPECT TO ANY OF THE PRODUCTS, NOR IS THERE ANY OTHER WARRANTY EXPRESS OR IMPLIED, EXCEPT AS PROVIDED FOR HEREIN.

For a period of twelve months from the date of delivery from Seller or three thousand hours of use, whichever occurs first (the "Warranty Period"), Seller warrants that products manufactured by Seller when properly installed and maintained, and operated at ratings, specifications and design conditions, will be free from defects in material and workmanship. By way of explanation and not limitation, the Seller does not warrant the service life of the filter element as this is beyond the Seller's control and depends upon the condition of the system into which the filter is installed.

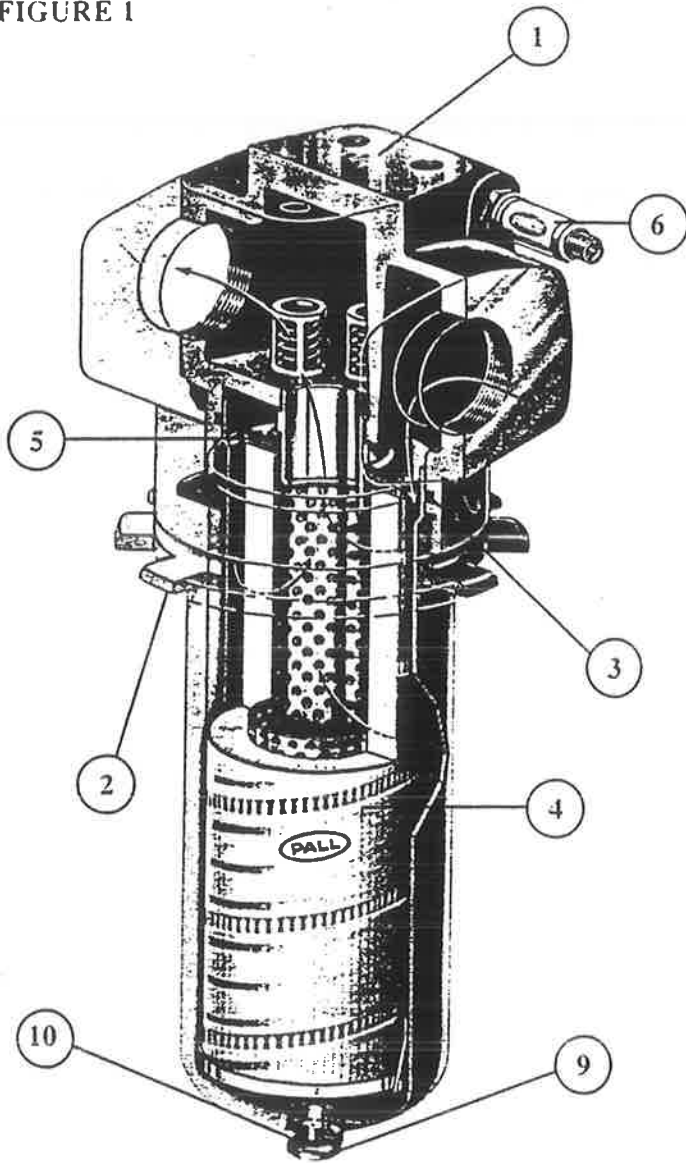
Seller's liability under any warranty is limited solely (in Seller's discretion) to replacing (FOB original ship point), repairing or issuing credit for products which become defective during the Warranty Period. Purchaser shall notify Seller promptly in writing of any claims and provide Seller with an opportunity to inspect and test the product claimed to be defective. Buyer shall provide Seller with a copy of the original invoice for the product, and prepay all freight charges to return any products to Seller's factory, or other facility designated by Seller. All claims must be accompanied by full particulars, including system operating conditions, if applicable.

Seller shall not be liable for any product altered outside of the Seller's factory except by Seller or Seller's authorized distributor, and then, as to the latter, only for products which have been assembled by the distributor in accordance with Seller's written instructions. Nor shall Seller be liable for a product subjected to misuse, abuse, improper installation, application, operation, maintenance or repair, alteration, accident or negligence in use, storage transportation or handling.

In no event will Seller be liable for any damages, incidental, consequential or otherwise, whether arising out of or in connection with the manufacture, packaging, delivery, storage, use, misuse, or non use of any of its products or any other cause whatsoever.



FIGURE 1



8. Service Parts List:

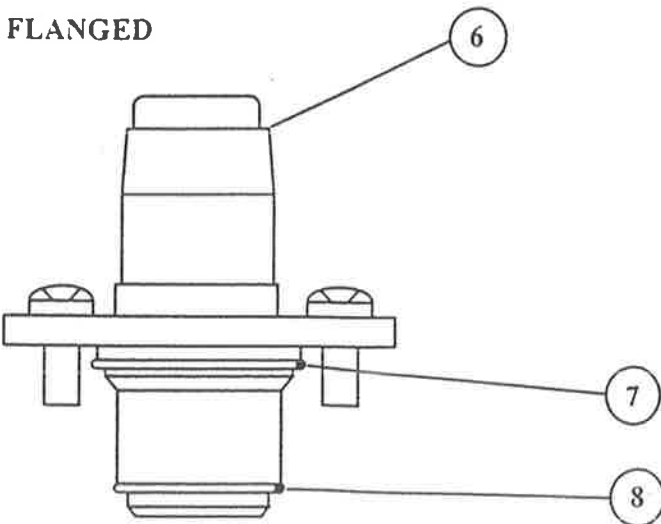
ITEM NO.	DESCRIPTION	PART NUMBER
1	Head Assembly	N/A
2	S-Length Bowl	1199343
	T-Length Bowl	1199521
	U-Length Bowl	1199344
3	Head To Bowl O-Ring	Size -248
4	Filter Element	See Brochure
5	Element O-Ring	Size -139
6	Indicator *	See Brochure
7	Indicator O-Ring	Threaded Size -908 Flanged Size -017
8	Indicator O-Ring	Threaded Size -014 Flanged Size -015
9	-6 Drain Plug	1128259
10	Drain Plug O-Ring	Size -906

NOTE: O-ring sizes are per SAE-ARP568 Uniform Standard Sizes.

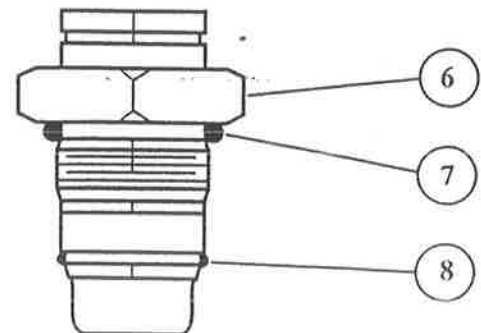
\* Flanged Indicator standard prior to December, 1992.  
Threaded Indicator standard after January, 1993.

Contact your local Pall Distributor when ordering service spare parts.

FLANGED



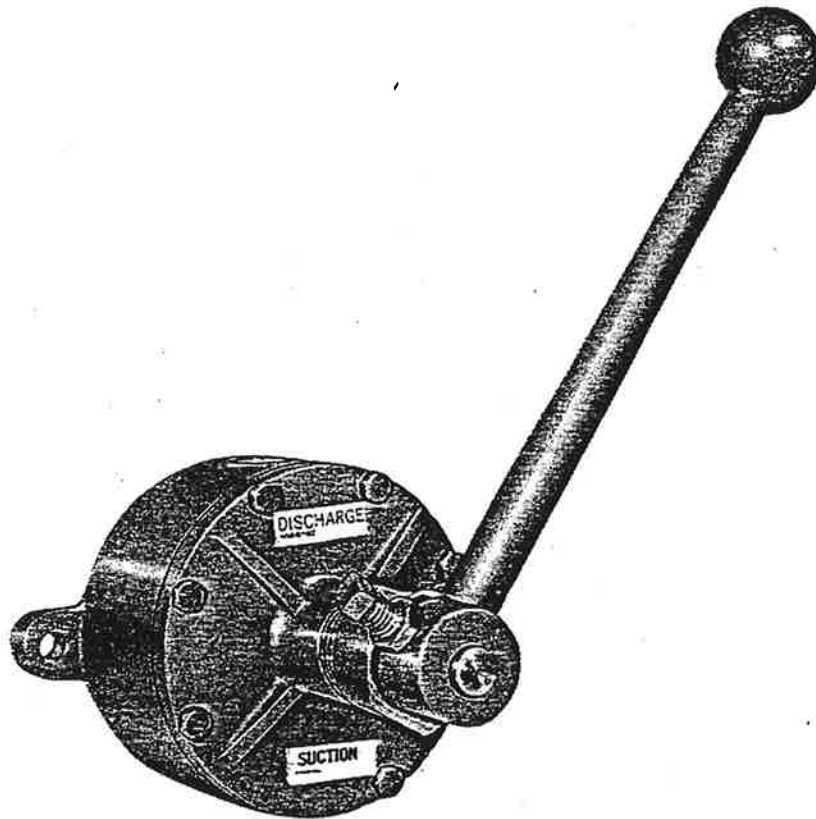
THREADED





**PUMP SPECIFICATION BULLETIN**

**HO SERIES  
 OSCILLATING HAND PUMP  
 ROTARY GEAR PUMP**



**FEATURES**

*COMPACT  
 SELF-PRIMING  
 AVAILABLE IN CAST IRON OR  
 ALL BRONZE  
 AVAILABLE IN 3/4", AND 1"  
 SUCTION PORTS*

**OPERATING RANGE**

CAPACITY	(GPM):	(6 TO 21)
	[LPM]:	[23 TO 79]
PRESSURE	(PSI):	(50)
	[BAR]:	[3.5]
VISCOSITY	(SSU):	(2500)
	[cSt]:	[541]
TEMPERATURE	(F) :	(120°)
	[C] :	[49°]

**APPLICATIONS**

TRANSFER OF LIGHT TO  
 MEDIUM LIQUIDS,  
 COMPATIBLE WITH CAST  
 IRON AND BRONZE  
 OPTIONAL DRUM KIT  
 AVAILABLE

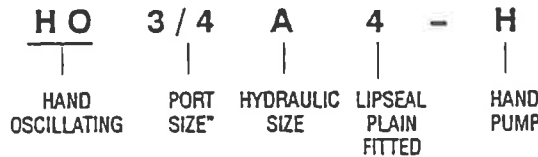
**THE GORMAN-RUPP COMPANY • MANSFIELD, OHIO**

HOUSING	HOUSING PORTS	VALVE DECK	FRONT LID	VALVE	WING	SHAFT	SHAFT SEALING	HAND LEVER	STUFFING BOX NUT
							LIPSEAL		
GRAY IRON	NPT 180°	STEEL	GRAY IRON	BRASS ALLOY	BRASS	SST TYPE 416	BUNA-N ①	GRAY IRON	BRASS

**NOTE:**

① BUNA-N LIPSEAL USED ON HO 3/4 MODELS ONLY. HO1 USES PACKING TYPE SEAL.

## Standard Model:



MODEL NUMBER	NOMINAL CAPACITY ②		MAXIMUM DISCHARGE PRESSURE	MAXIMUM VACUUM IN-HG. [BAR]			TEMP. RANGE	SHIPPING DATA	
	GPM [LPM]	STROKES PER MINUTE		PSID [BAR] ③	DRY	BELOW 100 SSU [21 cSt]		100 TO 2500 SSU [540 cSt]	Weight
			WETTED			WETTED	°F [°C]	LBS [KG]	CU. FT.
HO 3/4A4-H HO 3/4A7-H	6 [23]	60	50 [3.5]	2.5 [.08]	5.0 [.17]	10.0 [.34]	0° -120 [-18 -49]	13 [5.9]	
HO 1A4-H	13 [49]	40	30 [2]	10 [.34]	18 [.61]	20 [.68]	0° -120 [-18 -49]	36 [16.3]	

**NOTES:**

② NOMINAL CAPACITY BASED ON OPEN DISCHARGE

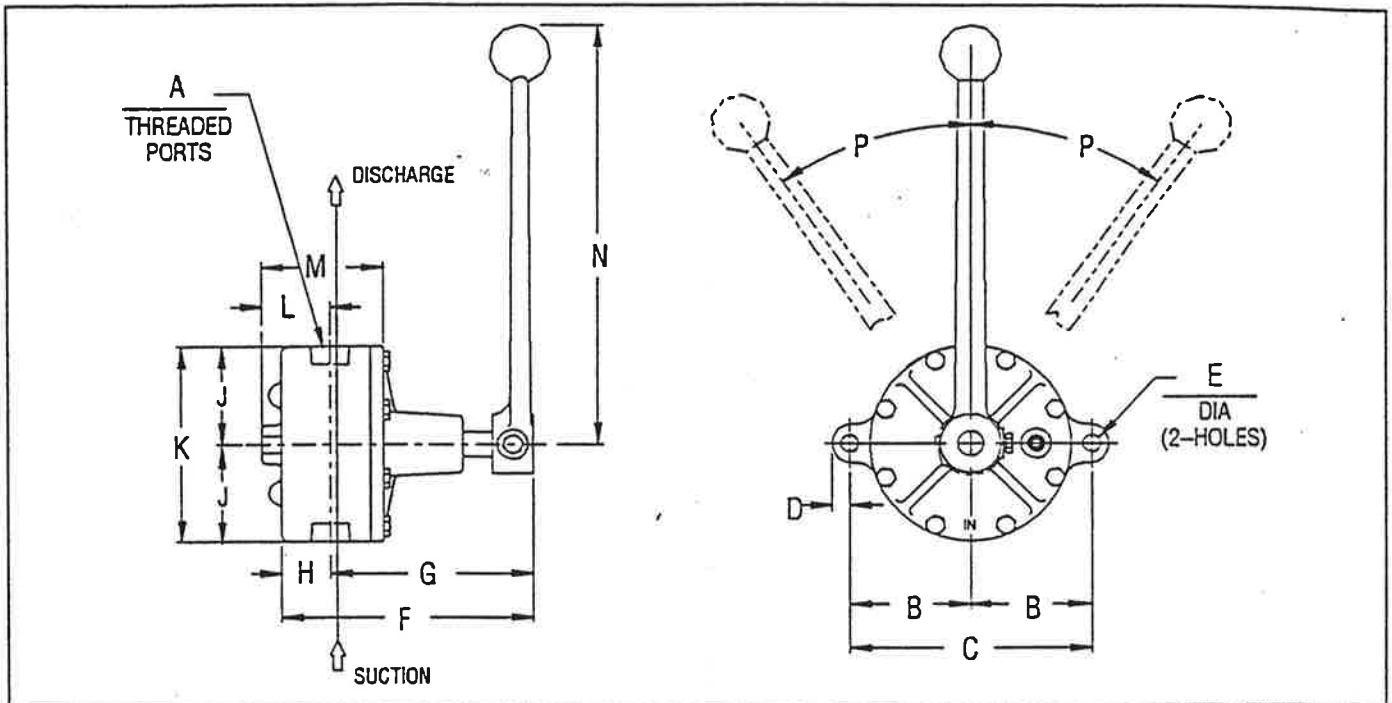
③ WHEN DISCHARGE PRESSURE INCREASES (ABOVE 50 PSID) FLOW RATE (GPM) DECREASES.

CONSULT FACTORY FOR APPLICATIONS THAT EXCEED THE LIMITATIONS SHOWN.

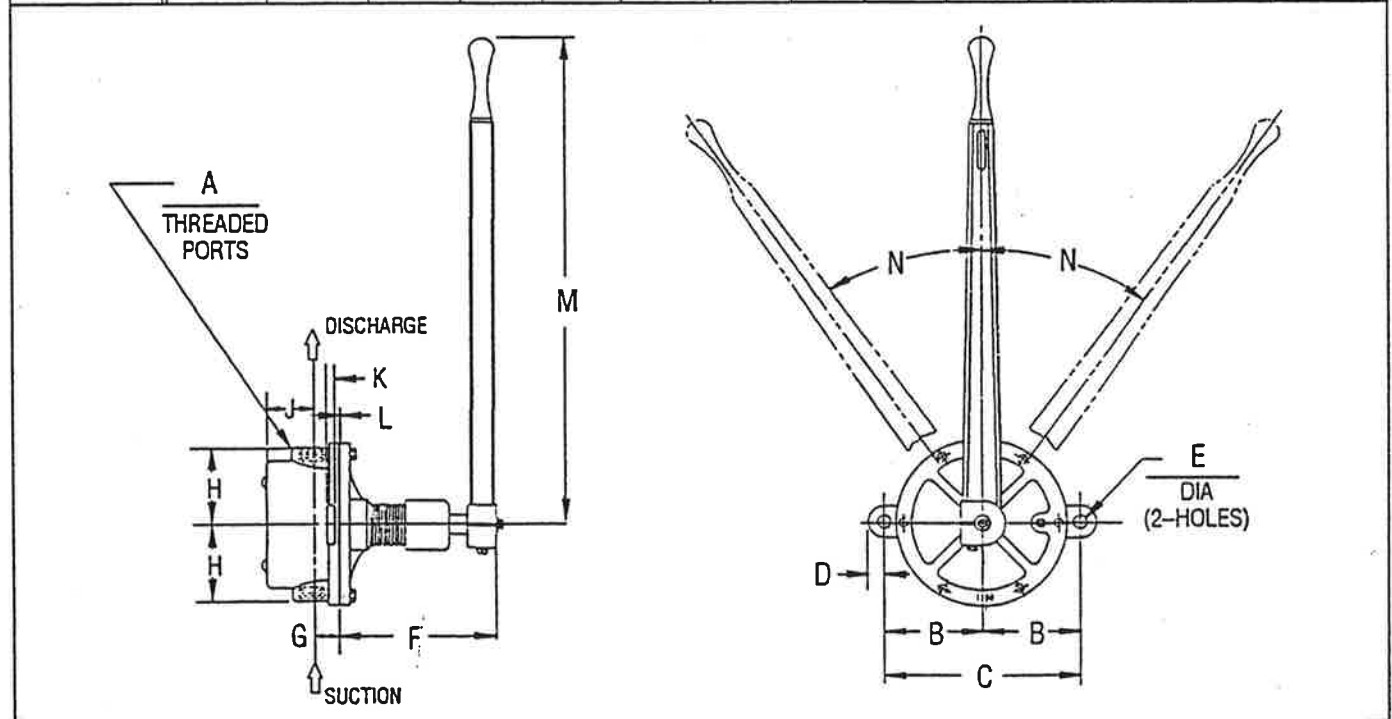
OPTIONAL ACCESSORY DRUM KIT:			
KIT NUMBER	DRUM PIPE LENGTH	PUMP MODEL	DRUM KIT CONSISTS OF:
48228-003	36"	HO3/4A4-H	BARREL BUSHING, DRUM PIPE, 8' HOSE, FITTINGS AND NOZZLE
48228-009	42" ④		

**NOTE:**

④ MOST 55 US GAL. DRUMS ARE 34" TALL WHICH REQUIRE THE 36" DRUM PIPE. HOWEVER, SOME DRUMS ARE TALLER THAN 34", SO AN OPTIONAL KIT WITH A 42" DRUM PIPE IS OFFERED.



MODEL NUMBERS	PUMP DIMENSIONS - INCHES [MILLIMETERS]													
	A	B	C	D	E	F	G	H	J	K	L	M	N	P
HO	3/4"	3.00 [76]	6.00 [152]	.76 [19]	.76 [19]	6.32 [161]	5.07 [129]	1.25 [32]	2.50 [64]	5.00 [127]	1.75 [44]	2.75 [70]	10.75 [273]	35°

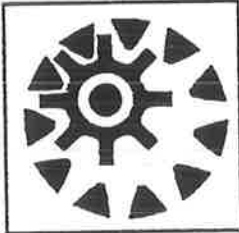


MODEL NUMBERS	PUMP DIMENSIONS - INCHES [MILLIMETERS]													
	A	B	C	D	E	F	G	H	J	K	L	M	N	
HO	1"	4.63 [118]	9.25 [235]	.50 [13]	.50 [13]	6.81 [173]	1.25 [32]	4.00 [102]	2.16 [55]	.44 [11]	.12 [3]	24.00 [610]	35°	

THE GORMAN-RUPP COMPANY • MANSFIELD, OHIO

**GR**<sup>®</sup>  
**GORMAN-RUPP**

ROTARY GEAR PUMPS

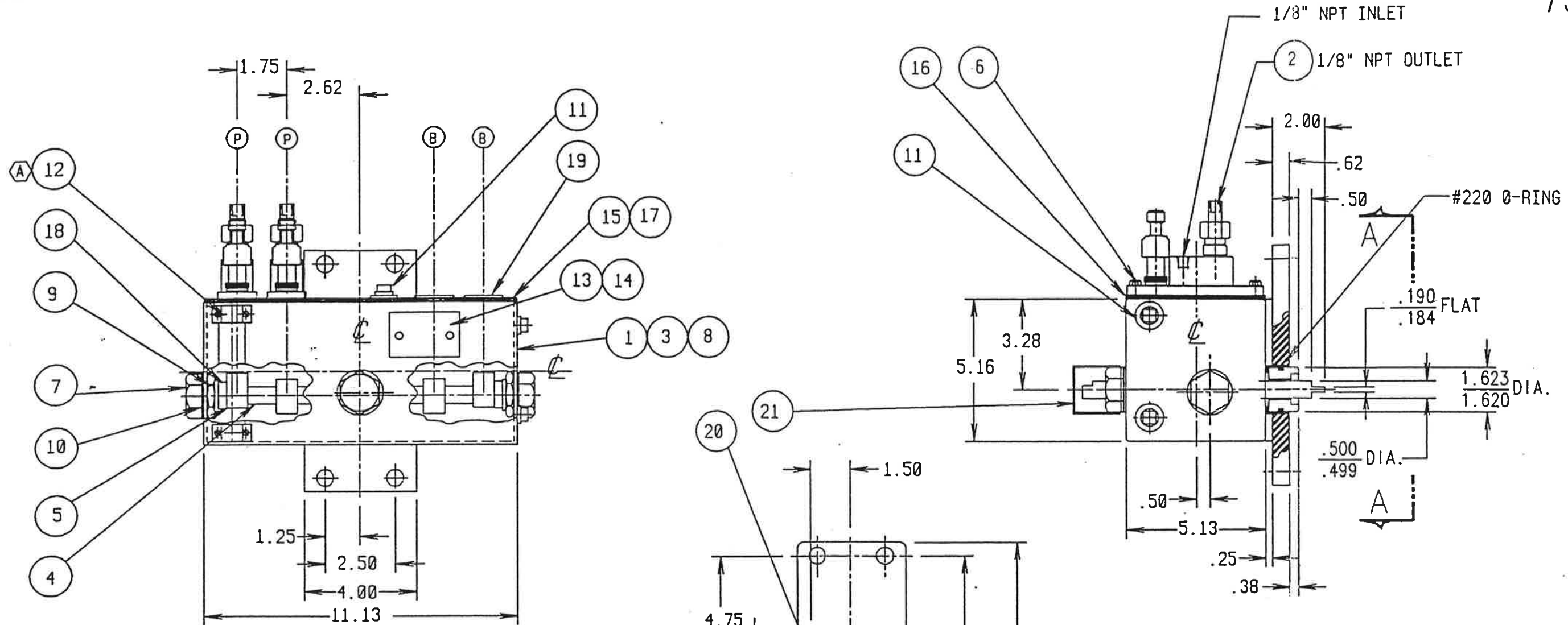


©Copyright by the Gorman-Rupp Company

The Gorman-Rupp Company  
305 Bowman Street, Mansfield, Ohio 44902-1217  
Phone: 419/755-1011 FAX: 419/755-1251

The Gorman-Rupp International Company  
P.O. Box 1217, Mansfield, Ohio 44901-1217  
Phone: 419/755-1011 FAX: 419/755-1266

Gorman-Rupp of Canada Ltd.  
70 Burwell Road  
St. Thomas, Ontario N5P3R7  
Phone: 519/631-2870 FAX: 519/631-4624



(B) INDICATES BLANK PUMP LOCATIONS  
 (P) INDICATES PUMP LOCATIONS

RESERVOIR SIZE: 4 PINT  
 DRIVE TYPE: CTR. REAR ROTARY  
 GEAR RATIO: 60:1  
 CAM QUANTITY: 4  
 PUMP SIZE: 3/8" PLUNGER  
 PUMP QUANTITY: 2

ITEM	QTY	PART NO.	DESCRIPTION
12	1	91392	GAUGE GLASS ASSEMBLY
11	3	90219	DRAIN PLUG
10	2	90224	WASHER
9	2	90087	NUT
8	1	91160	OPERATING INSTRUCTIONS
7	2	90210	END BEARING ASSEMBLY
6	12	90220	SCREWS
5	4	90279	CAM ASSEMBLY
4	2	90969	CAM SHAFT
3	1	91286	DRIVE ASSEMBLY (NOT SHOWN)
2	2	91203	PUMP MODEL P-55U 3/8" (BSF)
1	1	91378	ASS'Y - RESERVOIR & MTG. PLATE

ITEM	QTY	PART NO.	DESCRIPTION
21	1	90386	ASS'Y - DRIVE SHAFT COVER
20	1	90151	O-RING
19	2	90174	PLATE - BLANK PUMP
18	2	90230	SPACER - CAMSHAFT
17	1	91380	COVER PLATE
16	4	90175	PUMP GASKET
15	1	90177	COVER GASKET
14	2	90215	RIVETS
13	1	90214	NAME PLATE - PREMIER

.625 DIA THRU  
 4 PLACES  
 VIEW A-A

DRESSER - RAND RDS / HOS

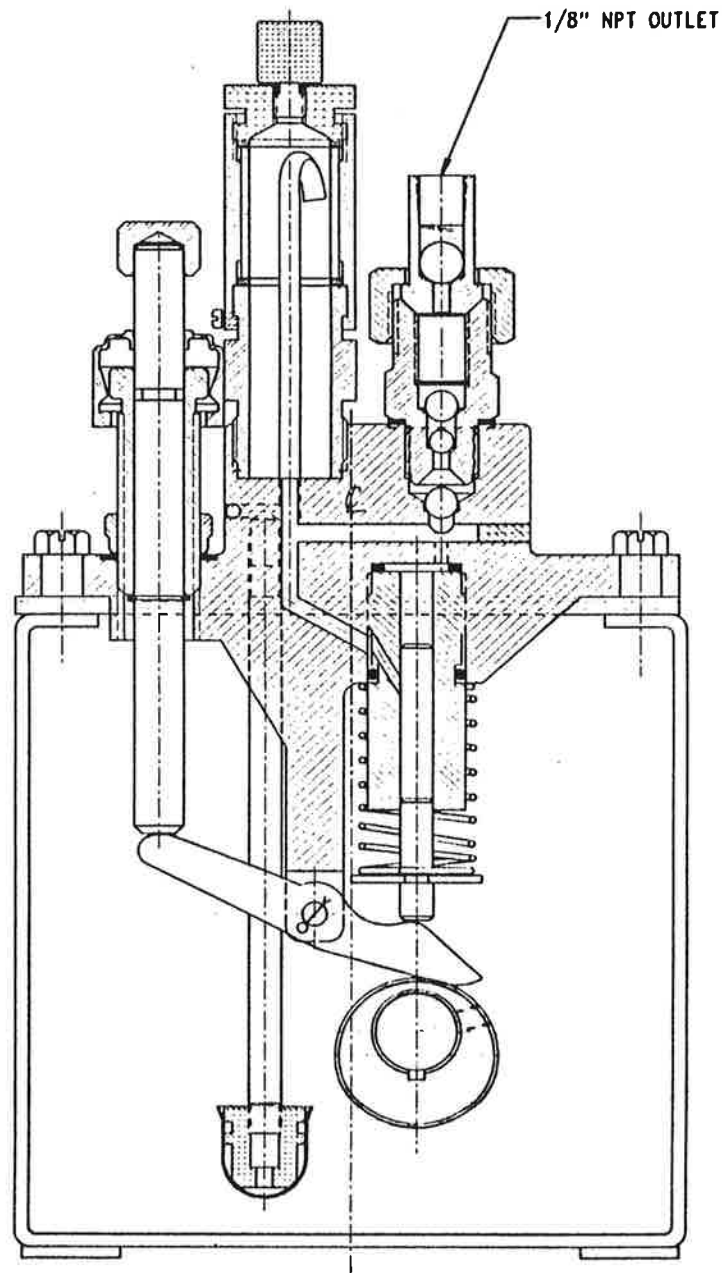
ALL DIMENSIONS IN INCHES  
 REMOVE BURRS & BREAK EDGES  
 TOLERANCES NOT NOTED  
 CORNER RADI .03 MAX.  
 I.X (1 PLACE) +/- .020  
 I.IX (2 PLACES) +/- .010  
 I.III (3 PLACES) +/- .005  
 CONCENTRICITY .010 T.I.R.  
 SURFACE TEXTURE 125 RMS  
 ANGLES +/- .5 DEG.

**PREMIER**  
 LUBRICATION SYSTEMS  
 14105 PACKARD ST. HOUSTON, TEXAS. 77040  
 TITLE  
 LUBRICATOR - P-55U WITH  
 CTR. REAR DRIVE / MTG PLATE

REF: 732901	APPROVED:	DRAWN BY: RDH	DATE: 11-2-95	DRAWING NO.:	REV.:
SCALE: 1/4" = 1"	CHECKED BY:	DATE:		735302	A

A	ITEM #12 WAS 90135	356	CAL	11-25-96	APP'D BY
LET.	REVISION	E.C.N.	REV. BY	DATE	

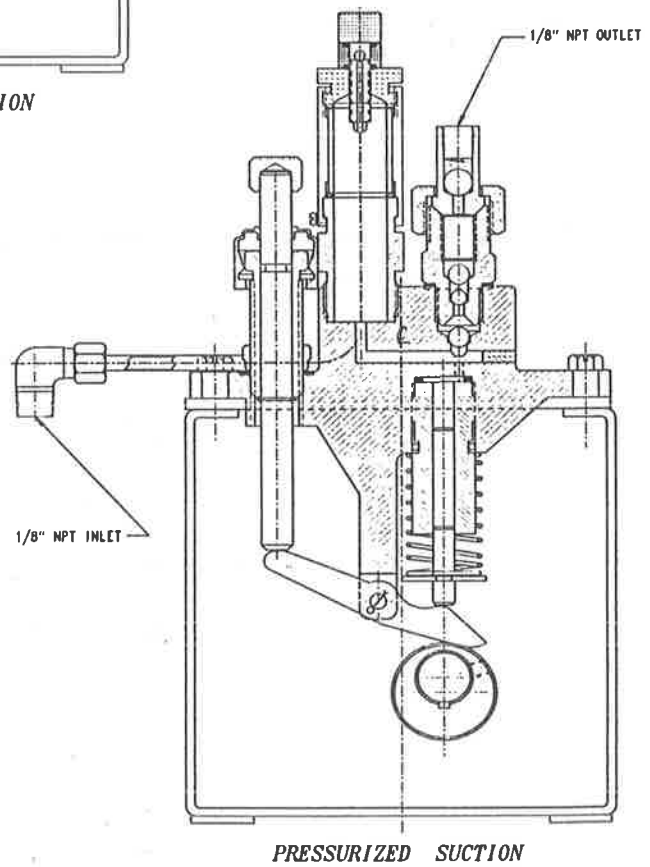
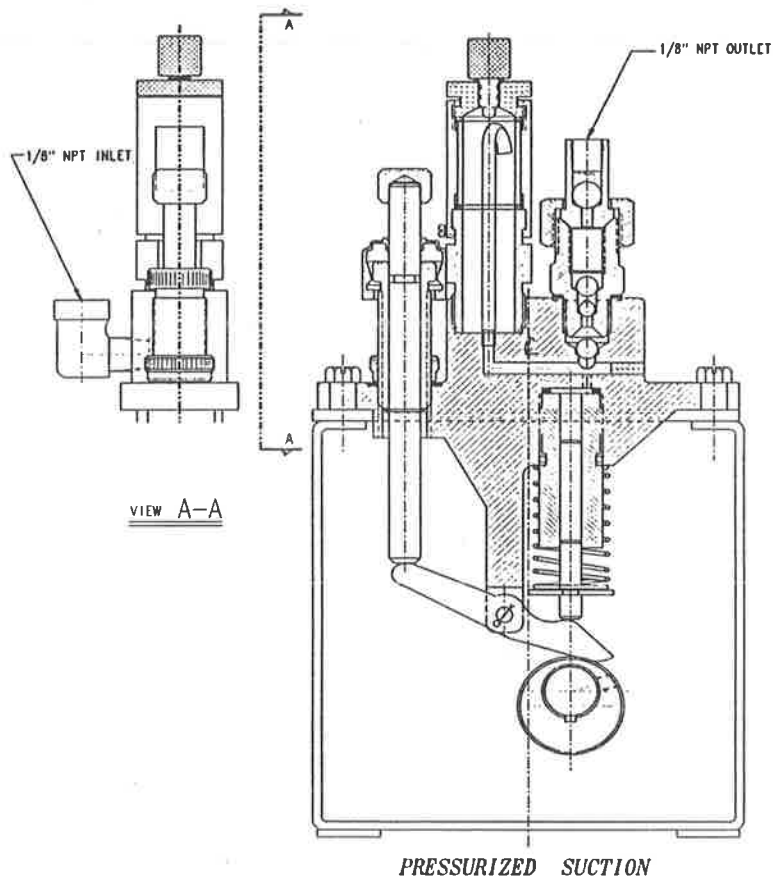
# PREMIER OPERATING INSTRUCTIONS



**BOX SUCTION**

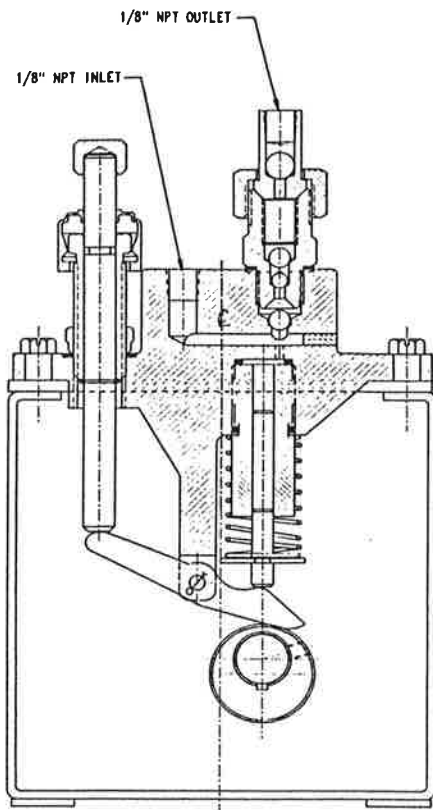
PREMIER LUBRICATION SYSTEMS  
14105 PACKARD STREET  
HOUSTON, TEXAS 77040  
TELEPHONE: 713-462-5255  
FAX: 713-462-7919

# PREMIER OPERATING INSTRUCTIONS

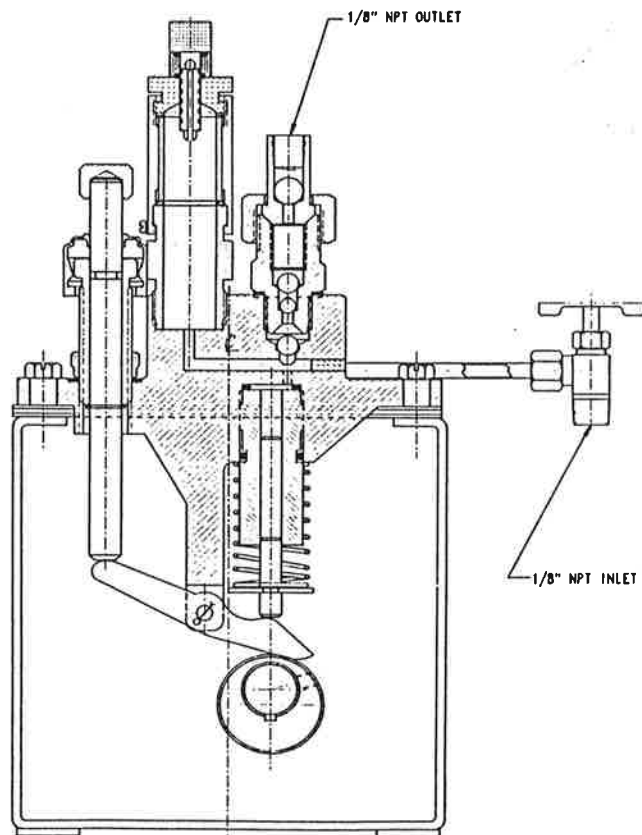




# PREMIER OPERATING INSTRUCTIONS



PRESSURIZED SUCTION



PRESSURIZED SUCTION

## BOX SUCTION PUMPS (VACUUM FEED)

1. Fill reservoir with oil.
2. Loosen union nut on pump outlet.
3. Remove vent screw and fill sight glass with oil. Prime by manually pumping flushing unit until air free oil is observed in drip tube and oil level drops in glass.
4. Replace vent screw and tighten union nut.
5. Maintain oil level in glass below drip tube so drops can be observed.

### FLOW RATE

1. Loosen lock nut on flushing unit.
2. Turn flushing unit counter-clockwise to increase flow.
3. Turn flushing unit clockwise to decrease flow.
4. Tighten lock nut when desired flow rate is achieved.

### SIGHT GLASS:

1. In a vacuum type sight feed, it is not uncommon for oil level in the sight glass to drop during operation. Absence of a level indicates air is being taken in with the oil and some oils, due to viscosity conditions, will release air faster than others. When the quantity of air becomes excessive, it can eventually air lock the pump.

### FOR THIS REASON IT IS RECOMMENDED AN OIL LEVEL IN THE GLASS BE MAINTAINED

When level drops, remove vent screw and fill sight glass to top; replace vent screw and operate flushing unit manually, observing that oil in sight glass is free from air. If air is not expelled, it may be necessary to loosen union nut (on pump outlet) and expel air at this point. It is desirable to maintain level below drip tube so drops can be seen during operation.

Due to viscosity conditions, some oils release air faster than others. For this reason, it is difficult to indicate how long sight glass level can be maintained before diminishing oil level occurs.

If reservoir runs low on oil (at a point below suction inlet of pump) it may be necessary to prime individual pumps after filling, using the procedure listed above.

The cubic volume for a pint of oil is 28.9 cubic inches and average drop size is .002 cubic inches. There are approximately 14,500 drops in a pint; however oil viscosity may vary size of drop.

Maximum output/stroke: (1/4" plunger) .018 cubic inches  
(3/8" plunger) .041 cubic inches

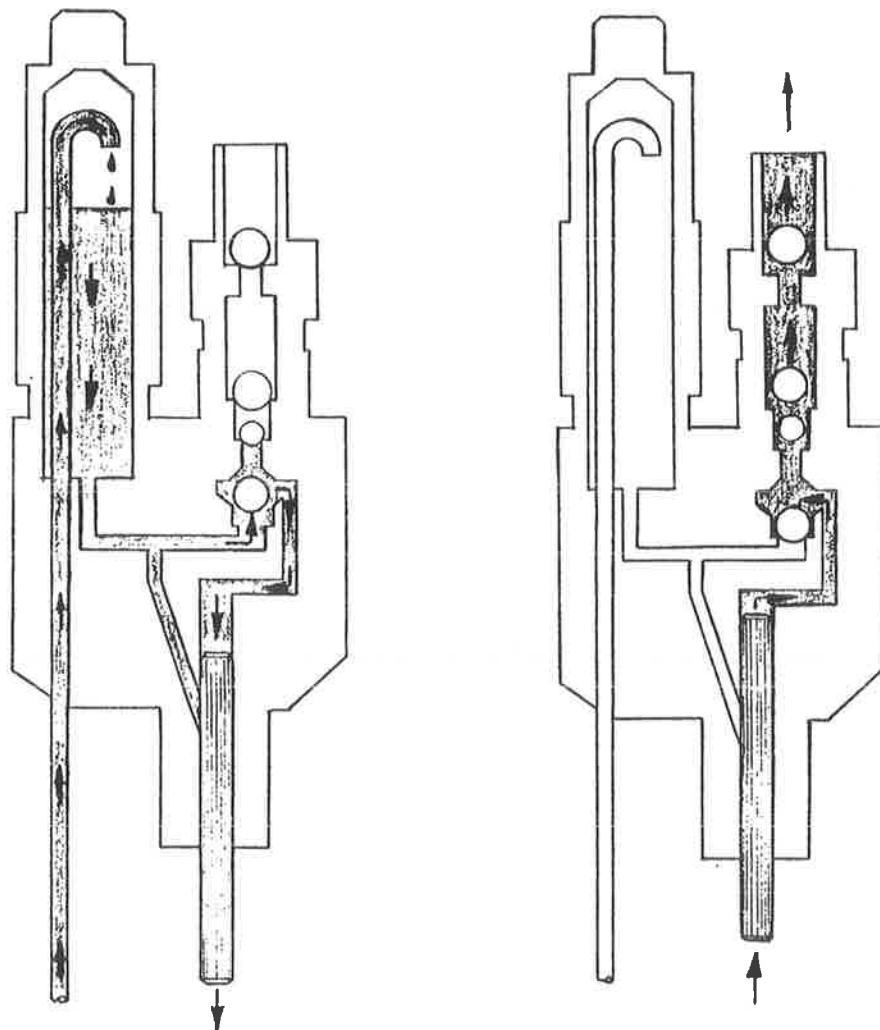
2. In a vacuum type sight feed, it is not uncommon to see a reverse action whereas sight glass fills with oil and the drops cannot be observed. Overfilling is caused by the oil absorbing air in the sight glass and normally does not affect the operating of the pump. Remove vent screw from sight glass and allow level to drop below drip tube. Tighten vent screw and check to see that air free oil from drip tube can be observed in sight glass. If overfilling continues, it may be caused by plunger wear and oil slippage is being drawn back to sight glass. If this is the problem, the feed setting in drops per stroke will automatically be reduced by the amount of slippage.

## INSTALLATION INSTRUCTIONS

### #90670 SIGHT GLASS ASSY. WITH PYREX GLASS

1. Remove flushing unit assembly from pump to provide easy access to sight glass area.
2. Install new sight glass assembly over the drip tube and into the threaded hole in the block. Screw the assembly into the hole and tighten firmly with a wrench. Tighten by using the flats on Item #1.
3. Loosen the retainer, Item #5, one complete turn.

4. Loosen the lock screw, Item #6, one complete turn.
5. Turn the housing, Item #2, so that the window opening with the lock screw below is facing the front of the pump. Now tighten the lock screw with a small screwdriver.
6. Tighten the retainer, Item #5, firmly by hand.
7. Remove the vent screw, Item #4, and fill with oil to a visible level. Re-install the vent screw.
8. Re-install flushing unit assembly. The pump is now ready for operation.



**ON DOWNWARD STROKE ALL DISCHARGE VALVES CLOSE AND SUCTION VALVE REMAINS OPEN WHILE OIL IS DRAWN THROUGH SIGHT GLASS.**

**ON UPWARD STROKE SUCTION VALVE CLOSES AND DISCHARGE VALVES OPEN TO ALLOW OIL TO BE DISCHARGED THROUGH PUMP OUTLET.**

## PRESSURIZED SUCTION PUMPS

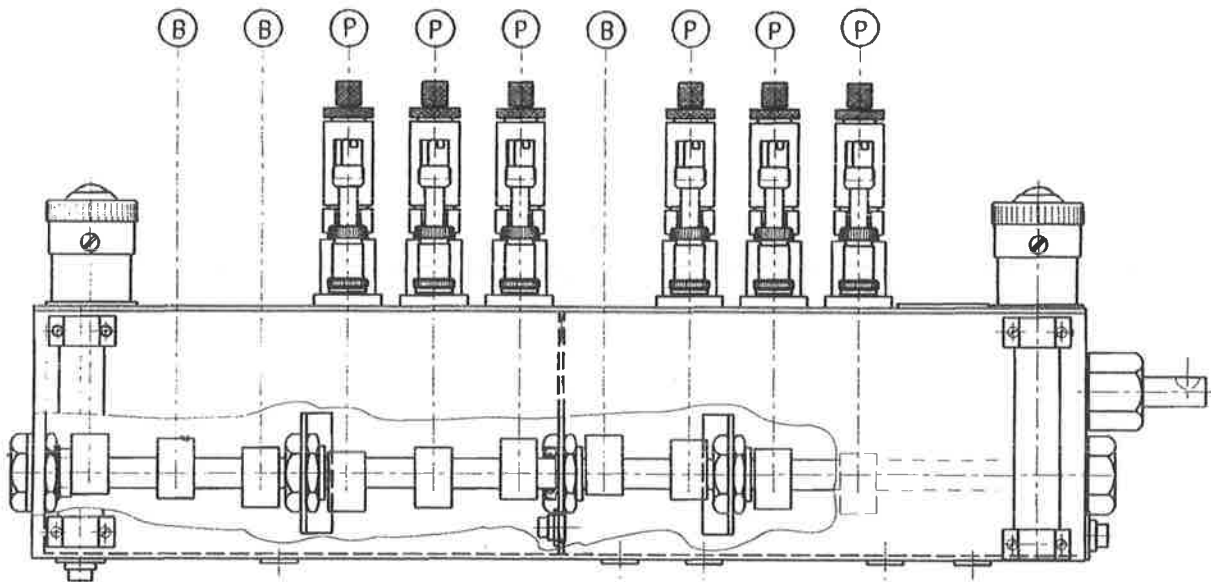
1. Fill reservoir with oil to approximately 1/2 full.  
DO NOT FILL TO TOP.
2. Loosen union nut on pump outlet.
3. Fill pumps with oil and prime by manually pumping flushing unit until air free oil is observed around union nut.
4. Tighten union nut.

**NOTE:** RESERVOIR WILL EVENTUALLY FILL TO TOP AND OVERFLOW IF OIL IS NOT PERIODICALLY DRAINED FROM RESERVOIR TO LEVEL INDICATED IN #1 ABOVE. THIS IS NOT UNCOMMON IN PRESSURIZED SUCTION PUMPS.

### FLOW RATE

1. Loosen lock nut on flushing unit.
2. Turn flushing unit counter clockwise to increase flow.
3. Turn flushing unit clockwise to decrease flow.
4. Tighten lock nut when desired flow rate is achieved.

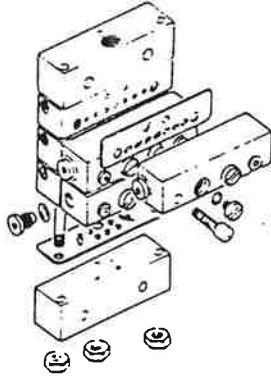
# PREMIER OPERATING INSTRUCTIONS



PREMIER LUBRICATION SYSTEMS  
14105 PACKARD STREET  
HOUSTON, TEXAS 77040  
TELEPHONE: 713-462-5255  
FAX: 713-462-7919

## SPECIFICATIONS:

Max. Operating Pressure	Seal Material	Lube Inlet	Lube Outlets	Indicator Ports	Mounting Screw Torque	Tie Rod Nut Torque
6000 Psi	Viton*	1/4 NPTF	1/8 NPTF	5/16"-24 UNF	108 in.-lb.	72 in.-lb.



## DESCRIPTION

MC Divider Valves are comprised of three to eight valve blocks fastened to a segmented baseplate with gasket plate seals between the valve blocks and the baseplate and between the baseplate segments. These divider valves are used in a single line, progressive lubrication system and can be used for dispensing oil or grease. MC valves and baseplate segments are supplied with viton seals.\*

Refer to the Modular Lube Planning Manual for system design information and an in-depth explanation of operation. An in-line filter should be installed between the pump and divider valves. Check valves should be installed at the inlets of all lube points. Refer to Service Page M50 Page 1 for check valve information.

\*Viton gasket plates are identified by a red stripe.

Valve blocks containing metering pistons discharge a predetermined amount of lubricant with each cycle. Valve blocks can be single or twin and can be externally singled or crossported with Model 87905 Single/Crossport Bar. Outlets not to be used when singling or crossporting must be plugged. Use 68645 pipe plug.

An 874000 By-Pass Block can be used in any position on the baseplate. The use of a by-pass block allows the addition or deletion of lubrication points without disturbing existing piping. Both outlets under a by-pass block must be plugged.

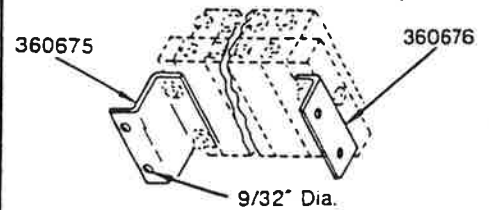
The valve blocks and by-pass blocks are fastened to a baseplate mounted on the machine to be lubricated. The baseplate contains the divider valve's inlet and outlet connections, interrelated passageways and built-in check valves. All piping of lubricant to and from the divider valve is connected to the baseplate.

The baseplate consists of one inlet block, three to eight intermediate blocks, one end block and three tie rods. Gasket plate seals are included with the baseplate segments. The valve block capacity of each baseplate is dependent upon the number of intermediate blocks in the baseplate. There must be a minimum of three working valves on each valve and baseplate assembly.

Optional cycle indicator pins provide positive identification of system operation. The indicator pin is an extension of the piston

in a valve block and will cycle back and forth as the piston moves.

Optional mounting brackets are shown below for mounting the valve assembly.



## ASSEMBLY INSTRUCTIONS

NOTE: The center tie rod in the baseplate is offset so that the intermediate blocks cannot be assembled backwards. If excessive force is encountered during assembly, make sure block is not backwards.

1. Screw three tie rods into inlet block until ends are flush with surface of block.
2. Slide inlet gasket onto tie rods.
3. Alternately slide an intermediate block and an intermediate gasket plate onto the tie rods until the last intermediate block is in place.
4. Discard remaining intermediate gasket plate.
5. Slide end gasket plate and end block onto tie rods.
6. Lay baseplate assembly on flat surface and torque nuts to 72 in.-lbs.
7. Mount divider valves with gasket plates onto baseplate and torque mounting screws to 108 in.-lbs.

## MC VALVE BLOCKS

	Single	Twin	Cycle Indicator Pin				Single (1 Outlet) Discharge/Outlet	Twin (2-Outlets) Discharge/Outlet
			Single-Right	Twin-Right	Single-Left	Twin-Left		
MC-6	874061	874062	-	-	-	-	.012 cu. in.	.006 cu. in.
MC-9	874091	874092	-	-	-	-	.018 cu. in.	.009 cu. in.
MC-12	874121	874122	874123	874124	874125	874126	.024 cu. in.	.012 cu. in.
MC-18	874181	874182	874183	874184	874185	874186	.036 cu. in.	.018 cu. in.
MC-24	874241	874242	874243	874244	874245	874246	.048 cu. in.	.024 cu. in.

## MC BASEPLATES

Baseplate Designation	Outlets	Inlet Block	Intermediate Blocks	End Block	Tie Rods
MC-3	2-6	87912	(3)87914	87913	(3)236640
MC-4	2-8	87912	(4)87914	87913	(3)236641
MC-5	2-10	87912	(5)87914	87913	(3)236642
MC-6	2-12	87912	(6)87914	87913	(3)236643
MC-7	2-14	87912	(7)87914	87913	(3)236644
MC-8	2-16	87912	(8)87914	87913	(3)236645

## OPERATION

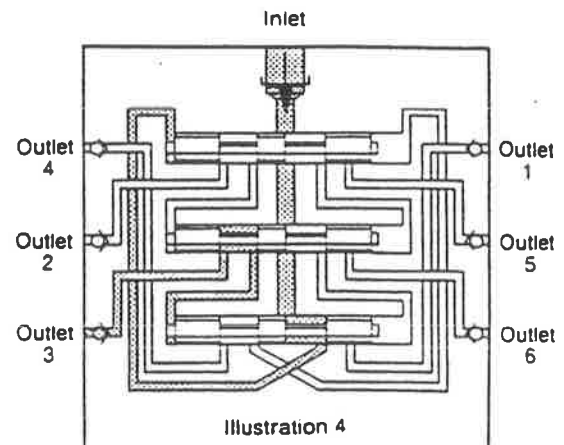
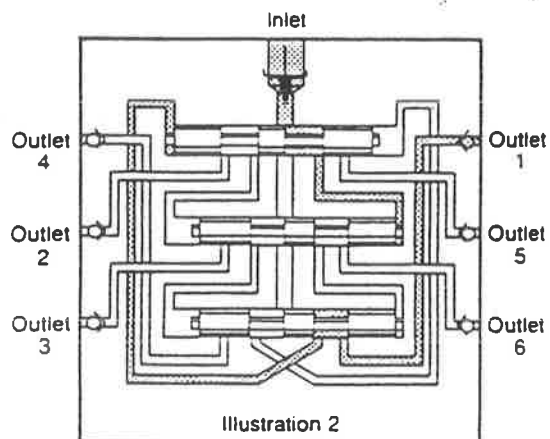
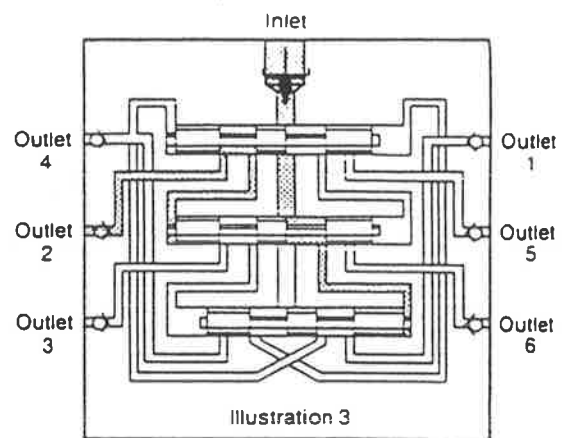
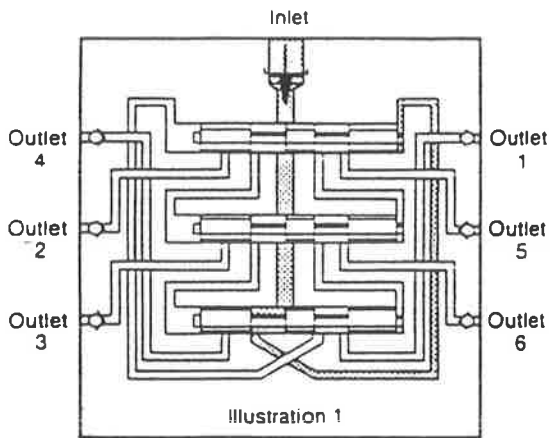
The inlet passageway is connected to all piston chambers at all times with only one piston free to move at any one time. With all pistons at the far right, lubricant from the inlet flows against the right end of piston 1. (See illustration 1)

Lubricant flow shifts piston 1 from right to left dispensing piston 1 output through connecting passages to outlet 1. Piston 1 shift directs flow against right side of piston 2. (See illustration 2)

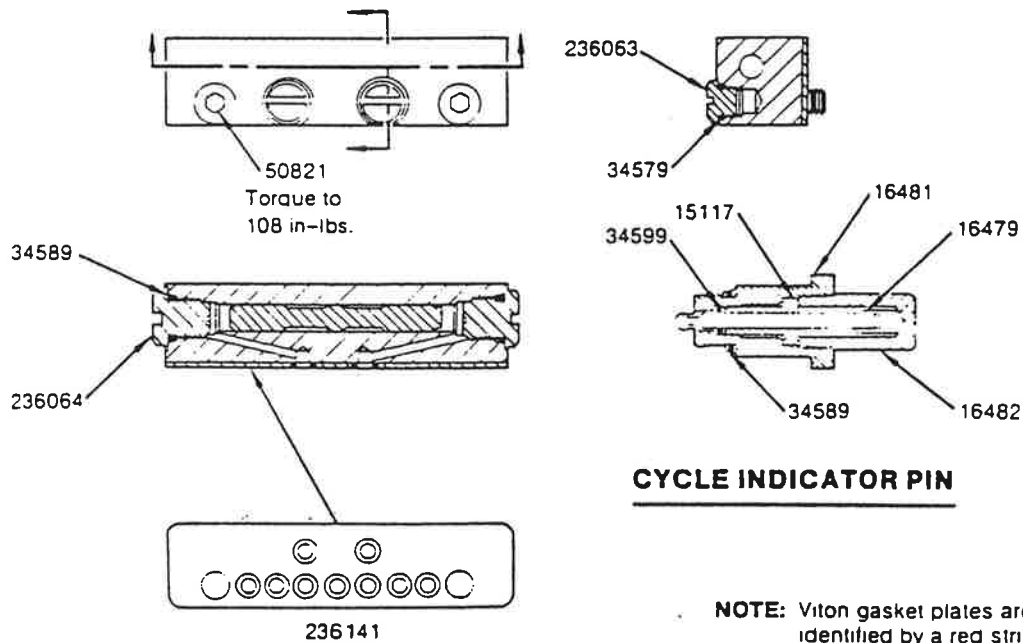
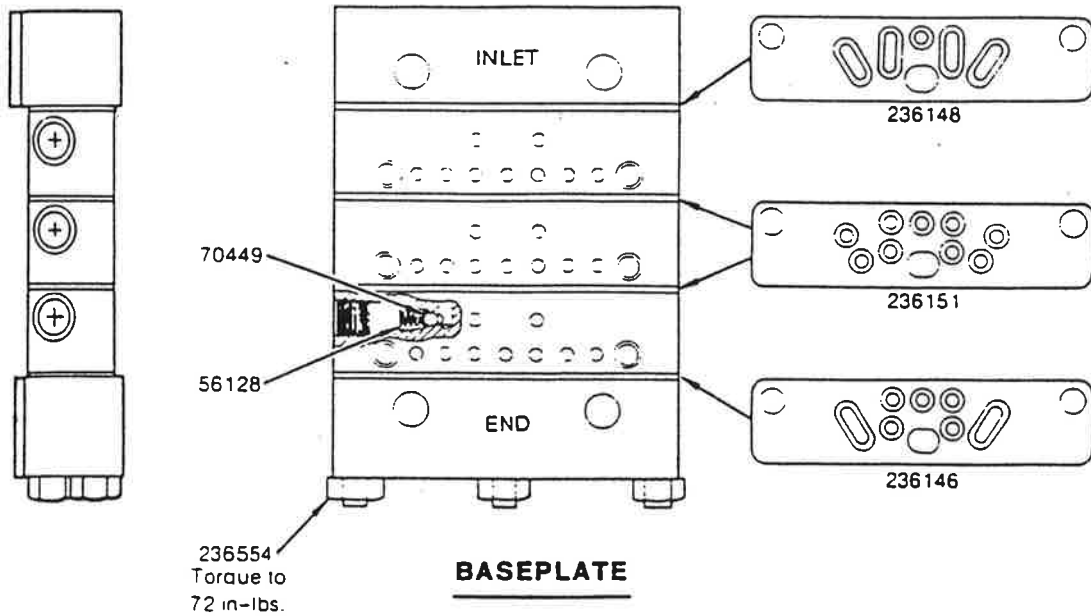
Lubricant flow shifts piston 2 from right to left dispensing piston 2 output through valve ports of piston 1 and through outlet 2. Piston 2 shift directs lubricant flow against right side of piston 3. (See illustration 3)

Lubricant flow shifts piston 3 from right to left dispensing piston 3 output through valve ports of piston 2 and through outlet 3. Piston 3 shift directs lubricant through connecting passage to the left side of piston 1. (See illustration 4)

Lubricant flow against left side of piston begins the second half-cycle which shifts pistons from left to right dispensing lubricant through outlets 4, 5 and 6 of the divider valve.





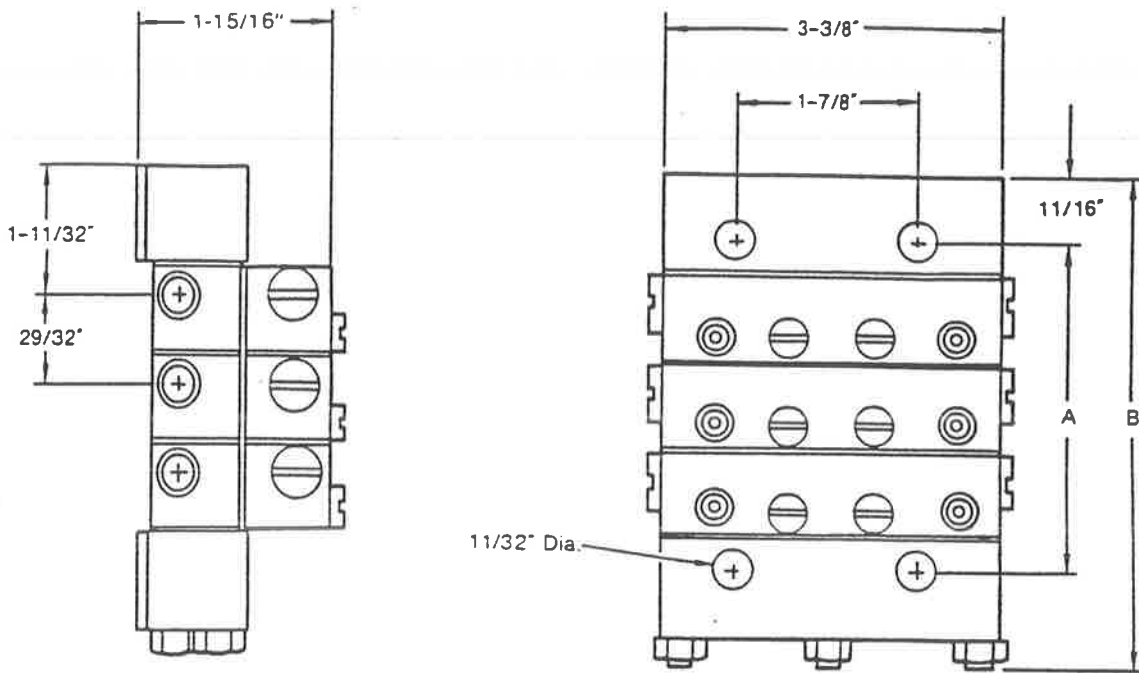


**DIVIDER VALVE**

**SERVICE PARTS**

Part	Description	Part	Description	Part	Description
15117	Bearing	34611	O-Ring	236141	Gasket Plate
16479	Indicator Pin	50821	Screw	236146	Gasket Plate
16481	Indicator Body	56128	Spring	236148	Gasket Plate
16482	Retaining Plug	70449	Ball	236151	Gasket Plate
34589	O-Ring	236063	Plug	236554	Nut
34599	O-Ring	236064	Plug		

## DIMENSIONS

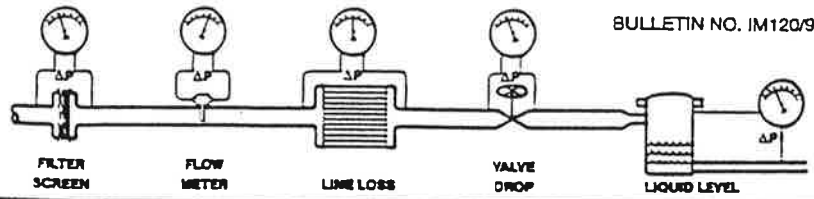


Baseplate	A	B
MC-3	$3-3/8"$	$5-3/32"$
MC-4	$4-9/32"$	$6"$
MC-5	$5-3/16"$	$6-29/32"$
MC-6	$6-3/32"$	$7-13/16"$
MC-7	$7"$	$8-23/32"$
MC-8	$7-9/32"$	$9-5/8"$

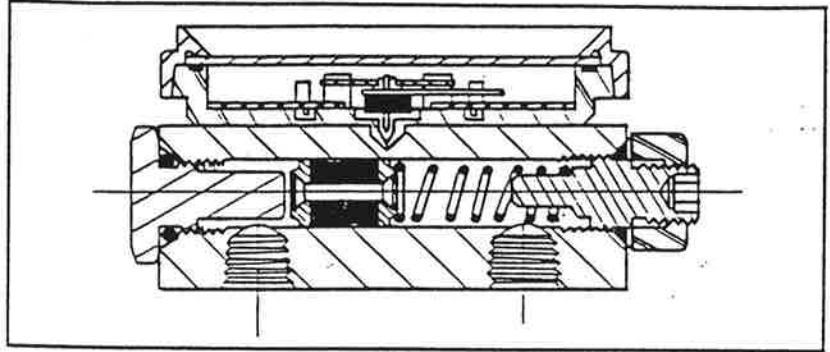
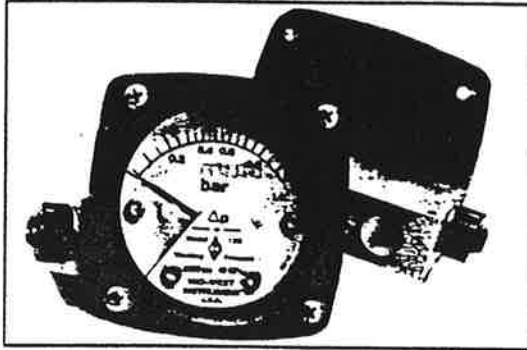
**RETAIN THIS INFORMATION FOR FUTURE REFERENCE**

When ordering replacement parts, list: Part Number, Description, Model Number, and Series Letter.

LINCOLN provides a Distributor Network that stocks equipment and replacement parts.



## Model 120 "Filter Minder"<sup>®</sup> Installation and Operating Instructions



### INSPECTION

Before installation check the nameplate on each instrument against the receiving paperwork and the intended application for correct part number, materials of construction, working pressure, dial range, etc. If equipped with switches, check electrical rating, type of enclosure, etc. Inspect for shipping damage and, if damaged, report it immediately.

**NOTE - Before attempting repairs contact your local Mid-West Representative or our factory. Failure to do so will void any warranty.**

### PRODUCT DESCRIPTION

The Model 120 "Filter Minder"<sup>®</sup> is a rugged, medium-range differential pressure instrument available as a switch, a gauge, or both. See "Part Numbering System". (Fig. 6) for available options.

Differential pressure is sensed by the movement of a floating piston magnet against a calibrated spring. The magnetically coupled gauge pointer outside the pressure housing follows the movement of the piston magnet and indicates differential pressure on the dial scale.

When equipped with switches, a contact is made or broken by the magnetic field of the piston magnet. See Bulletin Elec. IM 120/96 for gauges with switches.

The unit provides full over-range protection to the rated working pressure of the housing in either direction.

The precise piston/bore fit allows minimal leakage from high to low sides. This leakage is only 5 to 15 SCFH air at ambient conditions and a pressure differential of 100 PSID.

### INSTALLATION

Model 120 "Filter Minder"<sup>®</sup> is calibrated and tested prior to shipment and is ready for immediate installation. Use of the following installation procedures should eliminate potential damage and provide optimum trouble-free operation.

#### 1. CONNECTIONS

1/4" FNPT are provided as standard but check paperwork for connections ordered. There are two connections on the housing identified as "hi" and "lo" for high pressure and low pressure (Fig. 2). Be sure these get plumbed to the proper connections on your system. Improper connection will not damage the instrument, but it will not function properly. Flexible tubing is recommended to minimize the effect of any vibration that may exist.

#### 2. INSTRUMENT LOCATION

On liquid service the instrument should be mounted **below** the process connections to facilitate self-bleeding. On gas service it should be located **above** the process connections to promote self-draining. If the process contains particulates, a "pigtail" loop or drop leg (manometer "U-tube" configuration) in the tubing will minimize the possibility of it migrating into the instrument.

### 3. PANEL MOUNTING

Gauges with 2-1/2" dials can only be mounted through the rear of the panel. Make the proper panel cutout as indicated in (Fig.1). Remove the (4) bezel screws. Insert the gauge front through the rear of the panel and reinstall the bezel screws through the front of the panel and into the gauge bezel. Tighten the screws securely, alternating in a **diagonal** pattern.

Gauges with 4-1/2" dial should be mounted from the front of the panel. Make the cutout as indicated in (Fig. 1). Insert the (4) panel mounting studs, finger tight, into the metal inserts located in the rear of the bezel. Insert the gauge through the panel, aligning the panel mounting studs with the holes in the panel. Install the (4) #8-32 nuts onto the studs and tighten securely.

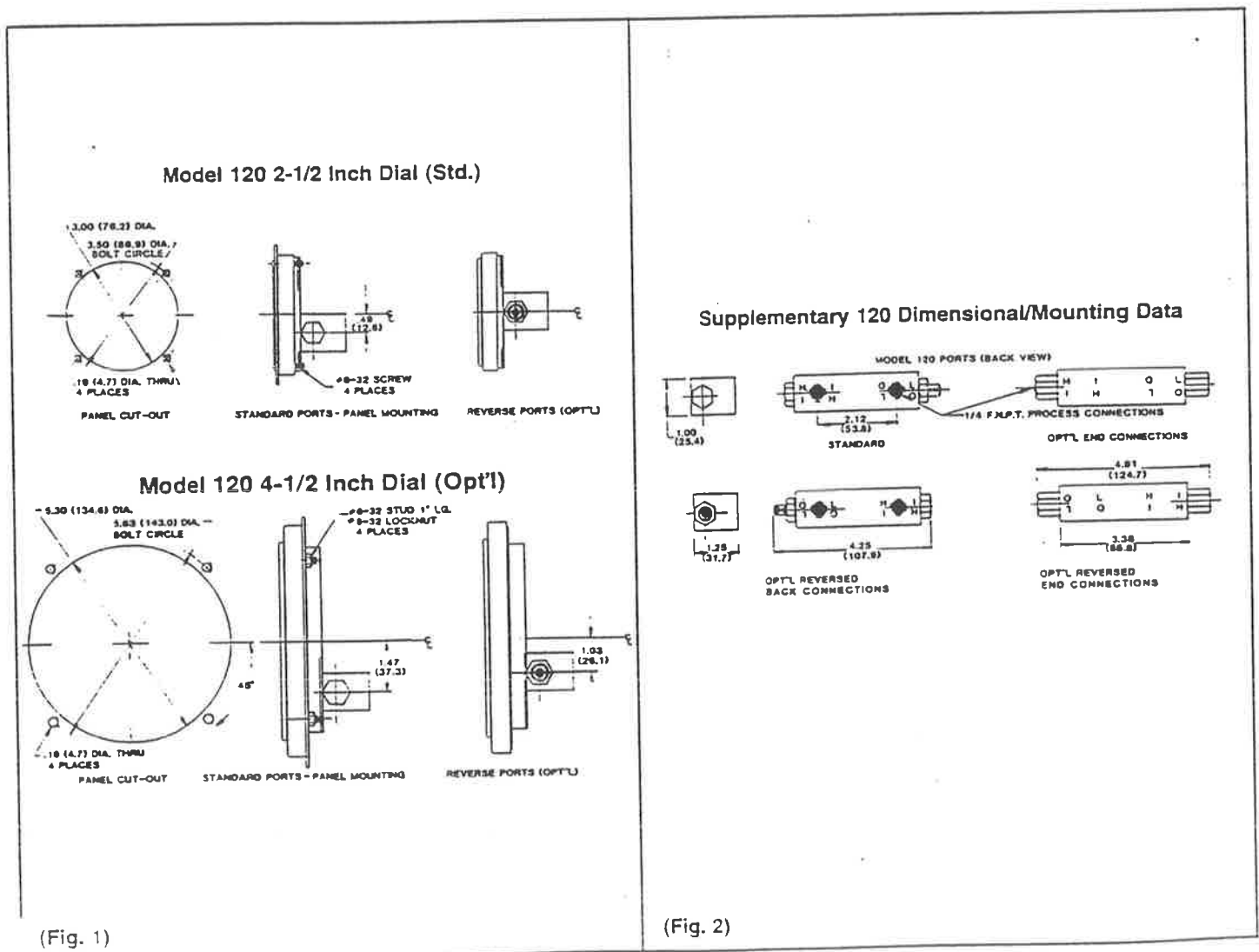
### 4. PIPE MOUNTING

An optional pipe mounting kit is available for mounting the gauge to a 2" vertical or horizontal pipe (Fig. 3).

### TROUBLE SHOOTING

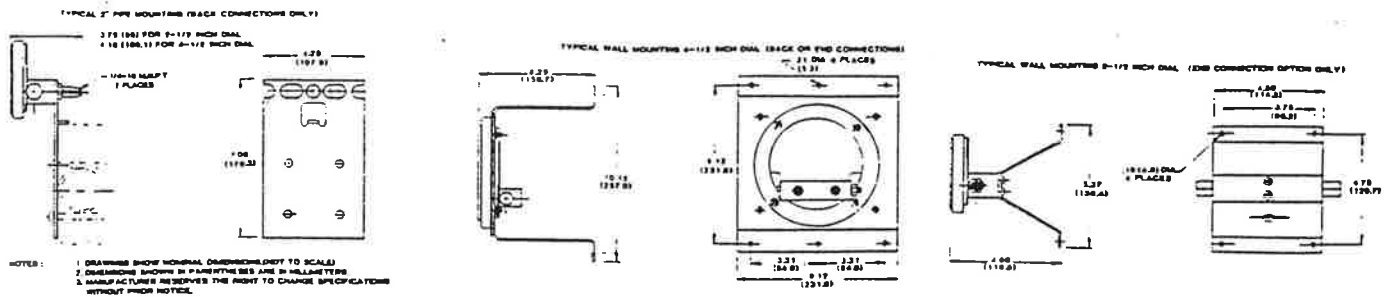
#### 1. Gauge does not indicate differential.

- Check for proper hook up, high to "hi" and low to "lo".
- Make certain block valves are open and, if using a 3-valve manifold, that the equalizer (balance) valve is closed.
- If A & B check out correctly, loosen or disconnect the high pressure line to determine if there is pressure to the instrument.
- If there is pressure to the instrument, check to determine that there is differential across the unit being monitored. If so, contact the factory for assistance and/or an "RGA" (return goods authorization) number to return the instrument for repair or replacement.



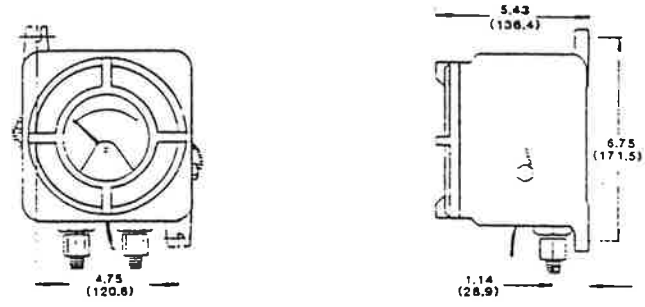
(Fig. 1)

(Fig. 2)

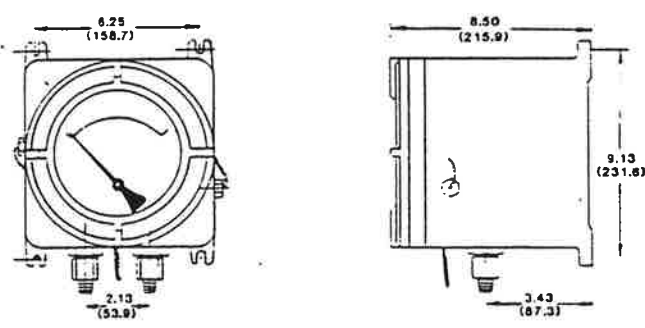


(Fig. 3)

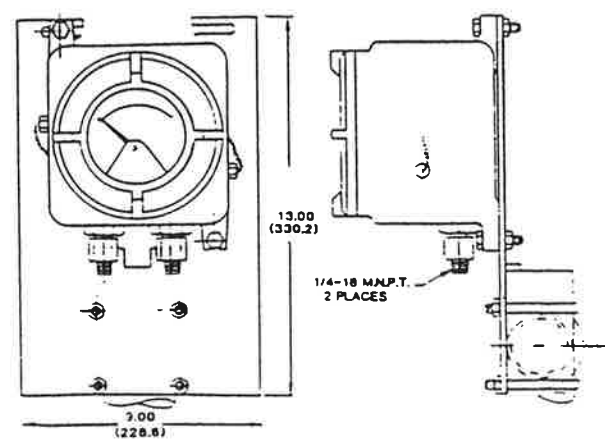
**Explosion-Proof Enclosures Class I, Groups D, Class II, Groups E, F & G. 2-1/2 Inch Dial**



**4-1/2 Inch Dial**

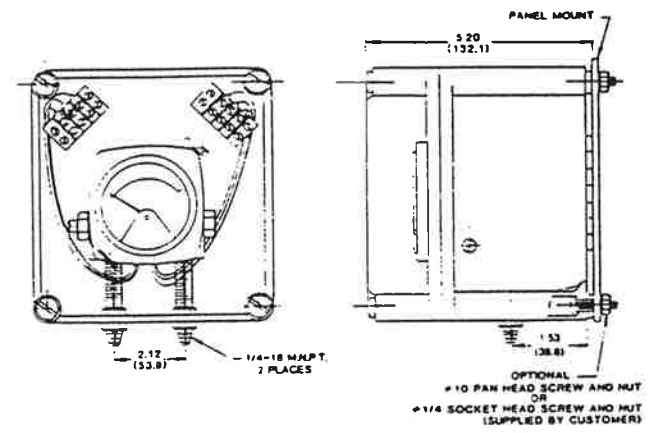


**Typical 2" Pipe Mounting - Weather Proof/Explosion Proof Models**

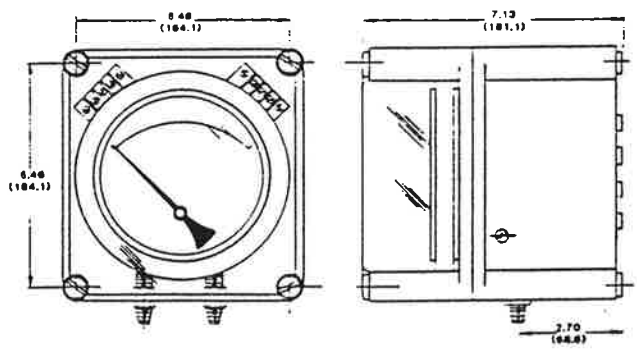


(Fig. 4)

**NEMA 4X Enclosures (2-1/2 Inch Dial)**



**4-1/2 Inch Dial**



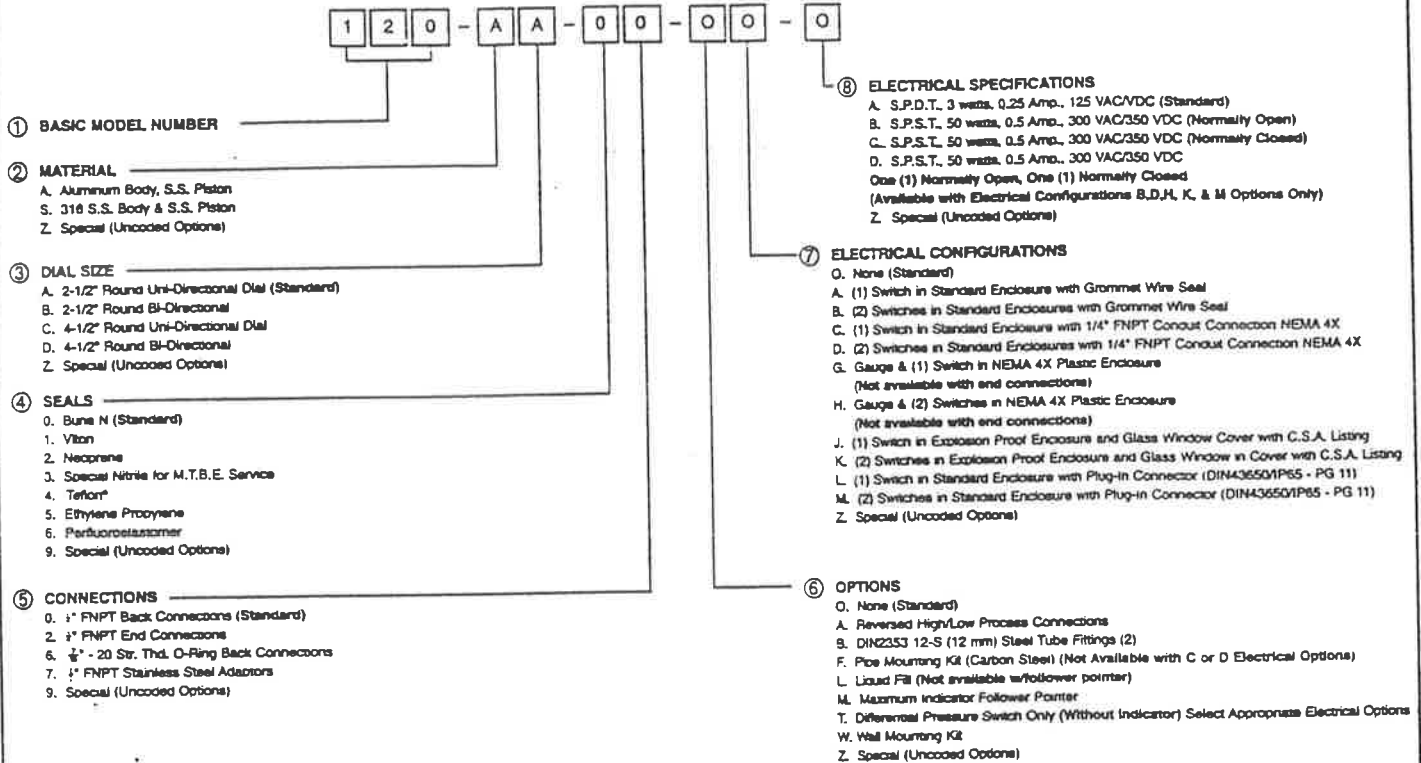
(Fig. 5)

## STANDARD MODEL SPECIFICATIONS

120-AA-00-00

6000 P.S.I.G. Working Pressure Aluminum Body, Stainless Steel Piston, Ceramic Magnets, Buna N Seals, 2-1/2" Engineering Plastic Case with Shatter-Resistant Lens. 1/4" FNPT Back Connections. Accuracy  $\pm 3-2-3\%$  Full Scale (Ascending).

### PART NUMBERING SYSTEM



(Fig. 6)

Manufacturer reserves the right to change specifications without prior notice.

PROOF PRESSURE: 12,000 PSI.

TEMPERATURE LIMITS: -40°F (-40°C) to +200°F (+93°C) - These limits are based on the entire instrument being saturated to these temperatures. System (process) temperatures may exceed these limitations with proper installation. Contact our customer service representative for details.

REPRESENTED BY:

# Mid-West®

## Instrument

6500 Dobry Dr. □ Sterling Heights, MI 48314  
(810) 254-6500 □ FAX (810) 254-6509

Printed in U.S.A.

## A Positive Safeguard — Indicates lubricant flow or no flow

### DESCRIPTION

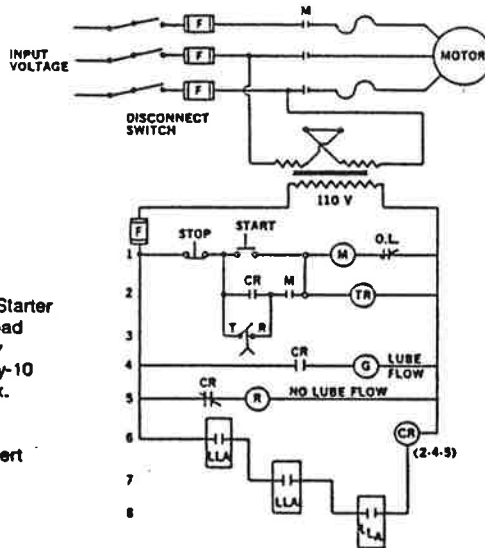
The Manzel Lube-Line Alert is an easily installed device providing positive protection for compressors, pumps, engines and equipment employing any make or type of force feed lubrication system. Installed as close to each point of lubrication as possible, the unit acts as a sentinel to indicate flow or no-flow at any point in the system ahead of the Lube-Line Alert inlet.

One Lube-Line Alert per Pumping Unit will warn of flow stoppage for any reason including low reservoir lubricant level; shaft rotation stoppage; broken lubricant lines; dirt under pump valves and worn plungers.

A single Lube-Line Alert per Lubricator will warn of low reservoir lubricant level or shaft rotation stoppage.

For complete protection, there should be as many Lube-Line Alert units in your installations as there are points of lubrication.

The Manzel Lube-Line Alert provides low-cost, dependable protection for costly machinery



- F - Fuse
- M - Main Motor Starter
- OL - Motor Overload
- TR - Timing Relay
- CR - Control Relay-10 watt coil max.
- G - Green Lamp
- R - Red Lamp
- LLA - Lube Line Alert

Typical wiring diagram for fail safe operation using Lube-Line Alerts assembled in N.O. normally open position. Alerts installed in a 110V control circuit side of motor starter to provide positive system protection through automatic system shut down.

### FEATURES

Indicates Flow or No-Flow at any point in the system ahead of the Lube-Line Alert inlet. Not affected by discharge pressure.

Operates under continuous or Intermittent low-flow rates.

Universal use — operates in any air free force feed lubrication system — any make lubricator.

Sensitive to a wide range of flow — from .006 cubic inches to 190 cubic inches per minute.

Many type lubricants and viscosities — mineral or synthetic.

Time delay adjustment — to compensate for viscosity and/or flow rate. Quick and easy to adjust.

Pressures — for operation up to 10,000 psi.

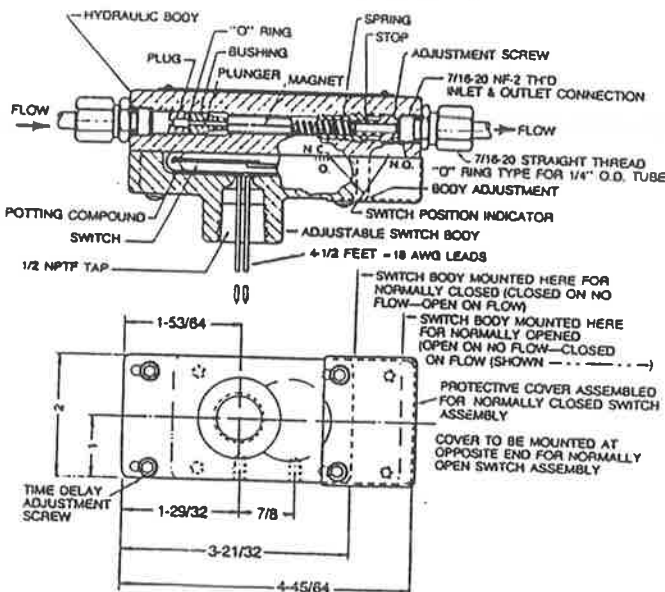
Explosion-proof — UL and CSA Listed for Class I Groups C & D and Class II Groups E, F & G, Division 1 & 2 when installed as per National Electrical Code.

For connection to any electrical warning system — lights, sound devices, machinery shutoff relays, telephones, etc.

A low-level and shaft rotation indicator — equip one pumping unit per reservoir with Lube-Line Alert.

### SPECIFICATIONS

Electrical.....	Single pole, single throw magnetically operated switch
.....	115 VAC, 60Hz, 10 Watt, 1 Amp load
.....	28 VDC, .5 Amps resistive, .5 Amps inductive (L/R .026)
Operating Pressure.....	10,000 psi (Max.)
Pressure Drop Across Alert.....	150 psi (Min.)
Flow Range.....	.006 cu. in. to 190. cu. in. per minute at 100 SUS at 100° F.
.....	.006 cu. in. to 75.0 cu. in. per minute at 2,000 SUS at 100° F.
Fluid Viscosity.....	min., 100 SUS at 100° F., max., 2,000 SUS at 100° F.*
Weight.....	1.6 pounds



**OPERATION**

The Manzel Lube-Line Alert is composed of a separate hydraulic body and a switch body bolted together. The hydraulic body consists of a plunger, a magnet, a spring, and an adjustable plug. The switch body consists of a hermetically sealed magnetically-actuated switch set in a potting compound. The switch body can be mounted in one of two alternate positions: one for (N.O.) normally open contacts (during no flow), the other for (N.C.) normally closed contacts (during no flow) to accommodate various alarm or shut down circuits.

Lubricant flowing through the Alert moves the plunger and magnet until the plunger has opened the cross port in the bushing. This movement of the magnet opens the contacts for the (N.C.) normally closed switch position and closes the contacts on the (N.O.) normally open switch position, thus breaking or making the electrical circuit. The lubricant then moves through the cross port, around the magnet, through the hole in the plug and on to the point of lubrication. This path is shown in grey.

When flow stops, the spring returns the magnet and plunger toward their original position. When this movement is sufficient, the magnet closes the contacts for the (N.C.) normally closed switch position or opens the contacts for the (N.O.) normally open switch position, making or breaking the alarm or shut down circuit.

There is a built-in external time delay to adjust for various flow rates and/or viscosities, which can be easily varied by sliding the switch body "O" mark in relation to the N.C. or N.O. mark on the hydraulic body. With the N.C. or N.O. mark opposite the "O" mark, the longest time delay — from flow stoppage to indication — will be obtained. An internal screw adjustment provides an additional time delay adjustment range. This can be varied by removing the Alert outlet connection and turning the slotted screw clockwise, to decrease the delay time and counter clockwise, to increase the delay time. These adjustments should be made in 1/4 turn increments and with the N.C. or N.O. mark opposite the "O" mark.

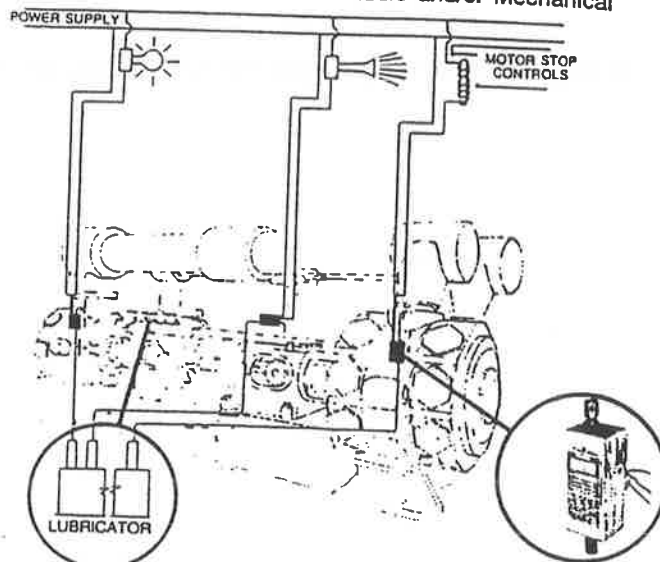
A light spring is included (loose) with the Lube Line Alert (P/N 456-060-009 only). This spring is to be used in low flow applications where the unit fails to actuate.

**INSTALLATION**

Cut the line as close to the point of lubrication as practical. Install the Alert with proper flow direction as shown on the nameplate. Straight or elbow fittings are available in most tubing or pipe thread sizes for the 7/16-20 NP straight thread "O" ring Alert ports.

The electrical switch housing should be set at the proper switch position — N.O. opposite "O" for normally open circuitry (during no flow) or N.C. opposite "O" for normally closed circuitry (during no flow). Lead wires from the switch are ready for connection through the 1/2" conduit connections to a suitable alarm circuit.

**WARNING**—Visual and/or Audio and/or Mechanical



Fail safe circuitry can only be provided by using the N.O. (normally open) switch position. Multiple Alerts must be wired in series or through separate circuits.

For the N.C. (normally closed) switch position multiple Alerts should be wired in parallel or through separate circuits.

The loose cover must be assembled over the exposed machined face of the Alert hydraulic body to meet Underwriters' Laboratory listing. To reduce the risk of ignition of hazardous atmospheres, conduit runs must have a sealing fitting connected within 18 inches of the enclosure.

Installation at point of lubrication provides complete protection, including detection of broken lines up stream of Alert.

**ORDERING INFORMATION**

Order Part Number

**Lube Line Alert**

- N.C. configuration with check valves for 1/4" O.D. tube, standard spring (installed), with light spring (loose)\* . 456-060-009
- N.O. configuration with check valves for 1/4" O.D. tube, light spring (installed), with standard spring (loose)\* . 456-060-181
- N.O. configuration with check valves and fittings for 1/8" NPTF connections, standard spring (installed)... 456-060-109

**Accessory Parts**

**Inlet Check Valves**

- With 1/4" O.D. tube inlet (supplied with 456-060-009 and 456-060-181)..... 463-001-211
- With 7/16-20 straight female thread inlet (supplied with 456-060-109)..... 463-001-201

**Outlet Check Valves**

- With 1/4" O.D. tube outlet (supplied with 456-060-009 and 456-060-181)..... 463-001-251
- With 7/16-20 straight female thread outlet (supplied with 456-060-109)..... 463-001-221

**Fittings (use with check valves 463-001-201 and 463-001-221)**

- 7/16-20 straight male thread X 1/8" NPTF (2 supplied with 456-060-109)..... 435-050-040

**Springs**

- Standard Spring (installed at factory in 456-060-009 and 456-060-109)..... 458-005-440
- Light Spring for low flow applications (supplied loose with 456-060-009, installed in 456-060-181)\* ..... 458-005-220

**Repair Parts**

- Switch Assembly..... 456-060-049
- Plunger & Bushing Assembly..... 456-060-029

\* When using the light spring (458-005-220) fluid viscosity should not exceed 350 SUS.

**LUBRIQUIP®**  
Centralized Lubrication Systems

Registered trademarks of LUBRIQUIP, INC., A Unit of IDEX Corporation. Printed in U.S.A.





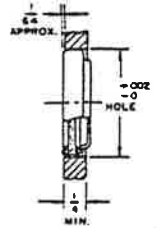
**DESCRIPTION:** Bijur Window-Units are flush-mounted, preserving the clean lines of the machine. Installation is economical, requiring only a simple press fit into a reamed hole . . . no bosses to face . . . no holes to tap . . . no loose parts to assemble. One piece construction features a corrosion resistant chrome plated brass frame, holding a clear, hard, unbreakable plastic, or a crystal clear glass window, with an oil proof gasket between the frame and window, assuring permanent oil tightness.

**INSTALLATION DATA:** All units are simply pressed into a reamed hole in the wall of reservoir. To insure tightness cover the surface of the hole with a thin coat of Glyptal,

shellac or other sealing material before pressing Window-Unit into place. Hole diameters and Assembly Punches are given below according to Window size.

WINDOW SIZE "A"	HOLE DIAMETER	ASS'Y PUNCH PART NO.
		BIJUR
3/8"	.875	B-5026
1"	1.250	B-5049
1 1/4"	1.500	B-5051
1 3/4"	2.000	B-5179

Assembly Punches are shown on Data Sheet 2900

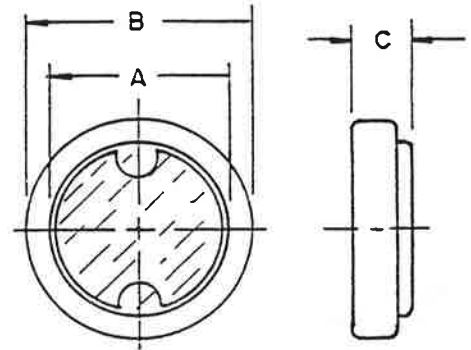


**MAXIMUM PRESSURE OR SUCTION 10 lbs./sq. in.**  
**MAXIMUM TEMPERATURE 120°F.**

### STANDARD TYPE (PLASTIC WINDOW)

Used to indicate level of oil or other non-corrosive liquid in reservoir. A clear window together with a reflecting background provides good visibility.

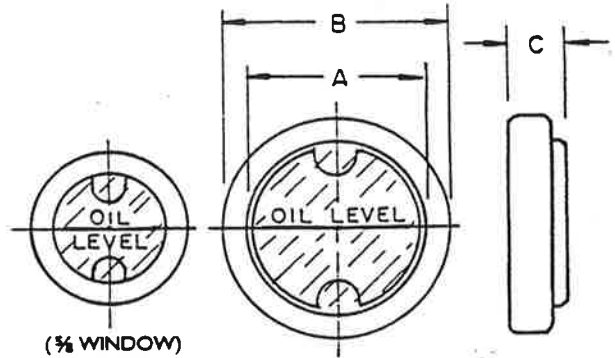
A	B	C	NAME	PART NUMBER	
				BIJUR	
3/8"	7/8"	1 1/64"	WINDOW-UNIT, ST'D TYPE	B-4900	
1"	1 1/4"	1 1/32"	WINDOW-UNIT, ST'D TYPE	B-4904	
1 1/4"	1 1/2"	3/8"	WINDOW-UNIT, ST'D TYPE	B-4908	
1 3/4"	2"	3/8"	WINDOW-UNIT, ST'D TYPE	B-5171	



### LEVEL TYPE (PLASTIC WINDOW)

Arranged to indicate a definite level of oil or other non-corrosive liquid in reservoir. Wording is on back of a clear window. Reflecting background assures good visibility.

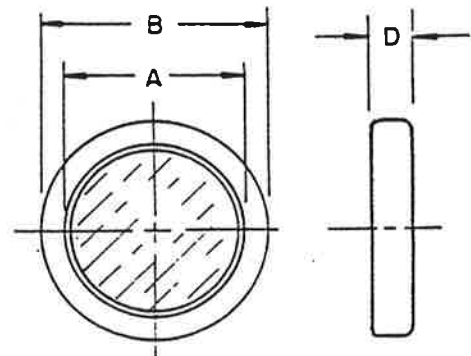
A	B	C	NAME	PART NUMBER	
				BIJUR	
3/8"	7/8"	1 1/64"	WINDOW-UNIT, LEVEL TYPE	B-5095	
1"	1 1/4"	1 1/32"	WINDOW-UNIT, LEVEL TYPE	B-5093	
1 1/4"	1 1/2"	3/8"	WINDOW-UNIT, LEVEL TYPE	B-5091	
1 3/4"	2"	3/8"	WINDOW-UNIT, LEVEL TYPE	B-5175	



### OPEN TYPE (PLASTIC WINDOW)

Has no reflecting background thus permitting observation of liquid flow or internal parts through a clear window.

A	B	D	NAME	PART NUMBER	
				BIJUR	
3/8"	7/8"	1 3/64"	WINDOW-UNIT, OPEN TYPE	B-5104	
1"	1 1/4"	1/4"	WINDOW-UNIT, OPEN TYPE	B-5102	
1 1/4"	1 1/2"	1/4"	WINDOW-UNIT, OPEN TYPE	B-5100	
1 3/4"	2"	1/4"	WINDOW-UNIT, OPEN TYPE	B-5177	



(See reverse side for glass windows)



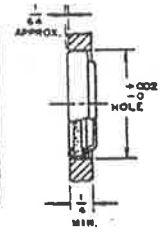
# WINDOW UNITS (GLASS WINDOWS)

**INSTALLATION DATA:** All units are simply pressed into a reamed hole in the wall of the reservoir. To insure tightness cover the surface of the hole with a thin coat of heat-resisting sealing material before pressing Window-Unit into place.

Hole diameters and Assembly Punches are given below according to Window size.

WINDOW SIZE "A"	HOLE DIAMETER	ASS'Y PUNCH PART NO.	
		BIJUR	
3/8"	.875	B-5026	
1"	1.250	B-5049	
1 1/4"	1.500	B-5051	
1 3/4"	2.000	B-5179	

Assembly Punches are shown on Data Sheet 2900

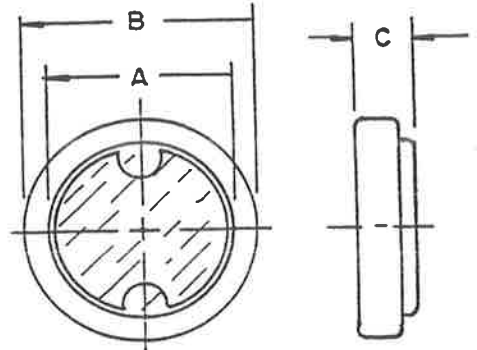


**MAXIMUM PRESSURE 50 lbs./sq. in.    MAXIMUM TEMPERATURE 300°F.**

## STANDARD TYPE (GLASS WINDOW)

Used to indicate level of oil or other non-corrosive liquid in reservoir. A clear window together with a reflecting background provides good visibility.

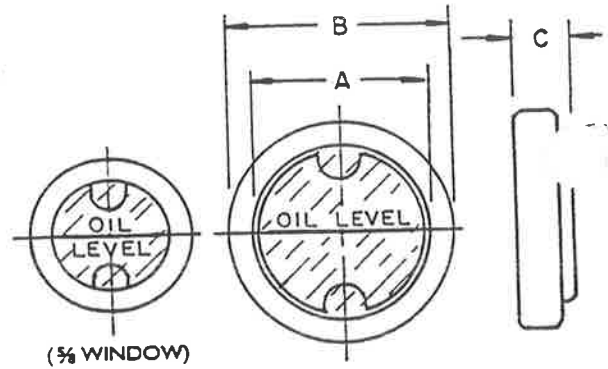
A	B	C	NAME	PART NUMBER	
				BIJUR	
3/8"	3/8"	1 1/64"	WINDOW-UNIT, ST'D TYPE	B-5184	
1"	1 1/4"	1 1/32"	WINDOW-UNIT, ST'D TYPE	B-5108	
1 1/4"	1 1/2"	3/8"	WINDOW-UNIT, ST'D TYPE	B-5145	
1 3/4"	2"	3/8"	WINDOW-UNIT, ST'D TYPE	B-5582	



## LEVEL TYPE (GLASS WINDOW)

Arranged to indicate a definite level of oil or other non-corrosive liquid in reservoir. Wording is on back of a clear window. Reflecting background assures good visibility.

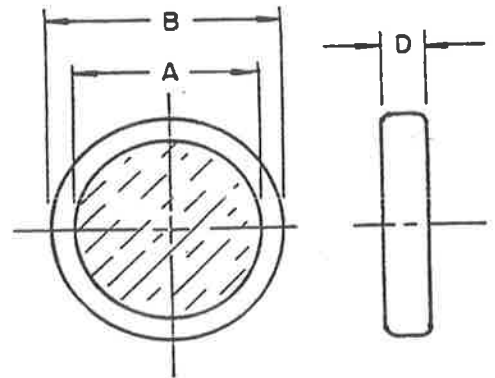
A	B	C	NAME	PART NUMBER	
				BIJUR	
3/8"	3/8"	1 1/64"	WINDOW-UNIT, LEVEL TYPE	B-5944	
1"	1 1/4"	1 1/32"	WINDOW-UNIT, LEVEL TYPE	B-5631	
1 1/4"	1 1/2"	3/8"	WINDOW-UNIT, LEVEL TYPE	B-5734	
1 3/4"	2"	3/8"	WINDOW-UNIT, LEVEL TYPE	B-5191	



## OPEN TYPE (GLASS WINDOW)

Has no reflecting background, thus permitting observation of liquid flow or internal parts through a clear window.

A	B	D	NAME	PART NUMBER	
				BIJUR	
3/8"	3/8"	1 1/64"	WINDOW-UNIT, OPEN TYPE	B-5602	
1"	1 1/4"	1/4"	WINDOW-UNIT, OPEN TYPE	B-5603	
1 1/4"	1 1/2"	1/4"	WINDOW-UNIT, OPEN TYPE	B-5604	
1 3/4"	2"	1/4"	WINDOW-UNIT, OPEN TYPE	B-5605	



## Bijur Lubricating Corporation

112 Bauer Drive, Oakland, New Jersey 07436 (201) 337-1600





The **BF914** combines a **BF915** spin-on (with drain) and a **FB1307** mounting head. The **BF915** is about 1-1/2 inches longer than most competitive spin-on filters. The greater length and the use of a high capacity paper filter media provides longer life and greater contaminant capacity.

The **B10-AL** is our only element-style storage tank unit. It comes complete with **PF10** filter element, a see-through amber collection bowl and its own mounting head. When it's time to drain, the unit has an easy-to-open petcock for fast, efficient draining.

**Spin-on Style Fuel Storage Tank Filter**

- Complete Filter .....**BF914**
- Spin-on Only.....**BF915**
- Mounting Head .....**FB1307**

**See-Through Style Fuel Storage Tank Filter**

- Complete Filter.....**B10-AL**
- Filter Element.....**PF10**
- Bowl Only .....**B10-AL Bowl**
- Filter Element  
w/Corn Starch Media .....**PF10-CS**

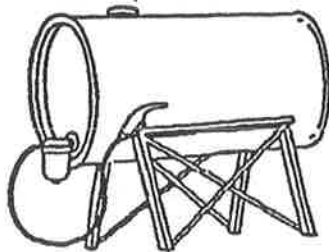
Baldwin gives you a choice of many different storage tank filters. Whether you use diesel, gasoline or gasohol, a Baldwin storage tank filter is the proven way to insure your fuel is clean when it leaves the tank. Each one is designed to meet the varying needs on our nation's farms. You need to make the choice of which Baldwin filter meets your particular requirements. Refer to the chart on the preceding page to help you make this choice.

# BALDWIN STORAGE TANK FILTERS

YOUR CHOICES FOR CLEANER FUEL . . .

IT'S UP TO YOU.

If you own or operate farm equipment, you know the importance of using clean fuel. That's why it's wise to filter your fuel at the source - your fuel storage tank.



The Baldwin storage tank filters will help prevent water, rust, fungus, bacteria, scale and grit from damaging your equipment. All Baldwin filters offer the proven filtering efficiency of our special Microlite® filter media. This unique media traps harmful contaminants, without removing the important additives in your fuel.

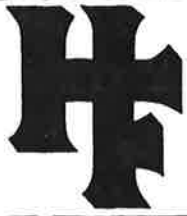
The outstanding feature of Baldwin's BF956 spin-on is its highly absorbent material that removes moisture as well as other contaminants. If there is significant water contamination, the filter's media will swell and block fuel flow. The fuel delivery rate then drops from 15 gallons per minute to one-half gallon per minute.

STORAGE TANK FILTER	LONGEST LIFE	GREATEST EFFICIENCY	GPM FLOW	DRAIN	BASE	SPECIAL FEATURES
B10-AL Hsg. & Ele.	●	■	25	Yes	B10-AL Cap	See-Through Collection Bowl
BF914 Base & Spin-on	▲	▲	25	Yes	FB1307	BF915 Spin-on
BF955 Spin-on	■	■	15	No	FB1307	Standard 5-3/8" Long Spin-on
BF956 Spin-on	●	●	15	No	FB1307	Water Absorbent Media
BF958 Spin-on	▲	■	15	Yes	None	Replacement for Amoco A05, A08
BF971 Spin-on	■	■	20	No	FB1307	Hi Performance 7-1/8" Long Spin-on

● Good

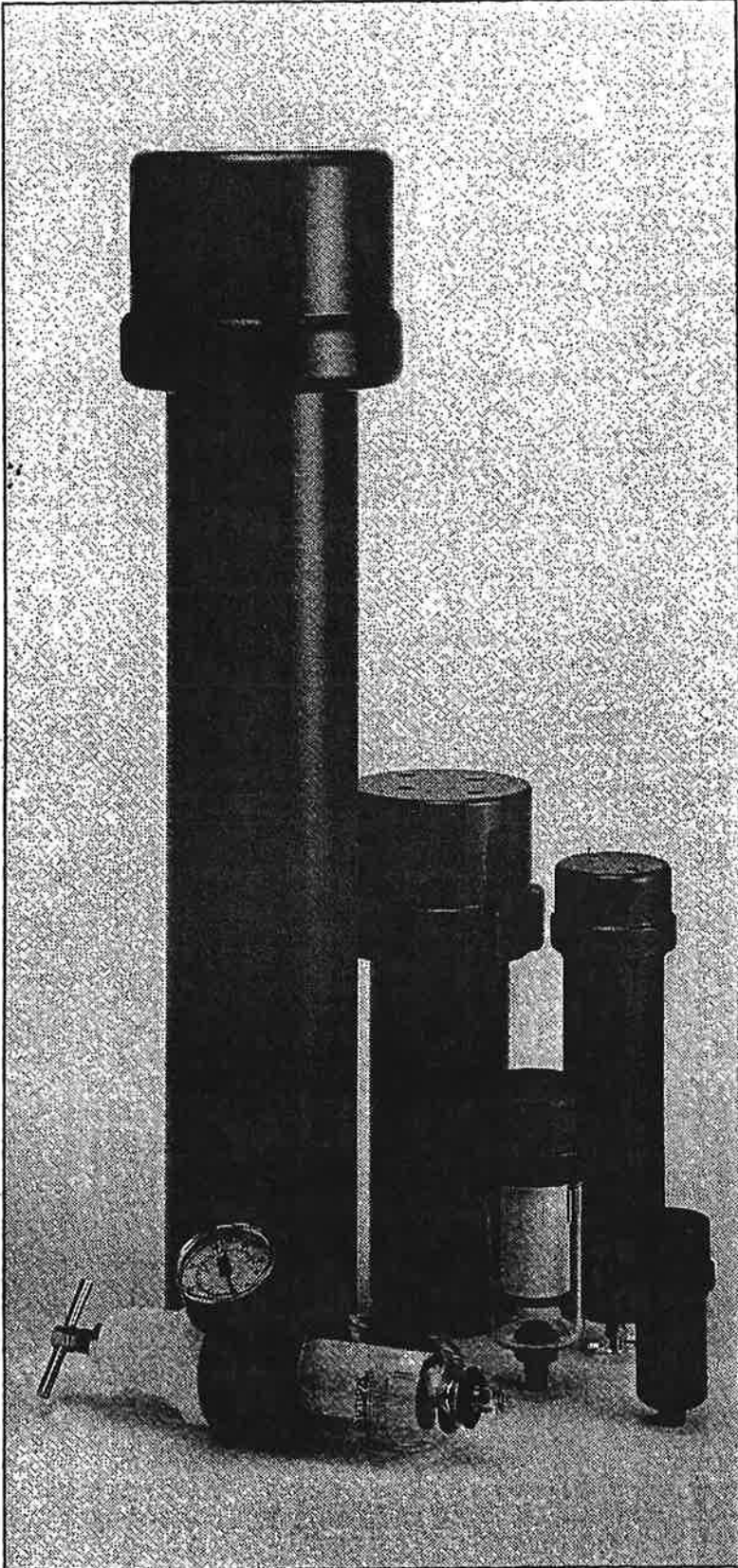
▲ Very Good (Better)

■ Excellent (The Best)



HEADLINE  
FILTERS

F-220



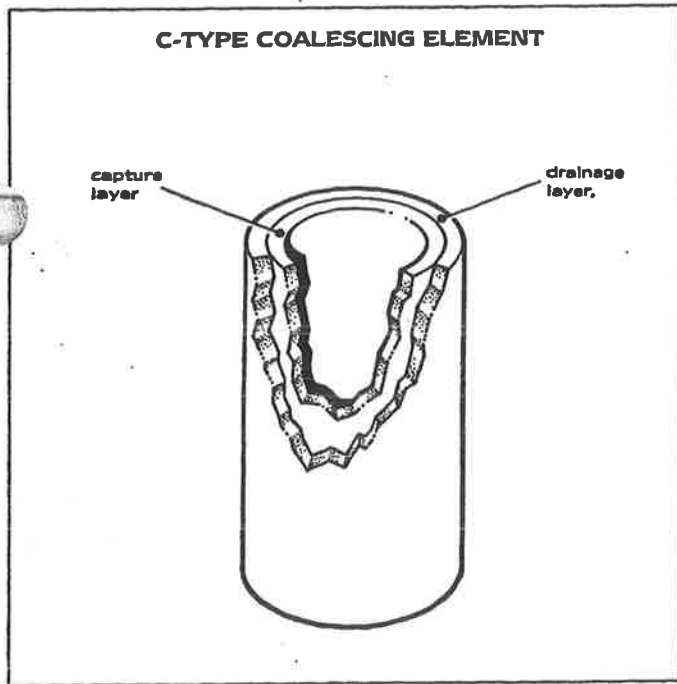
COMPRESSED AIR FILTER SYSTEMS



## COALESCING FILTRATION - HOW IT WORKS

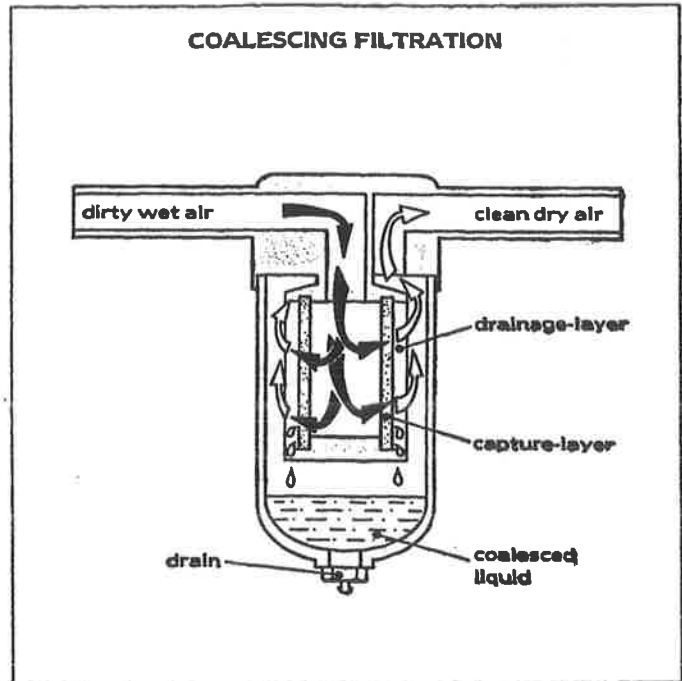
Compressed air, even from a new installation, is a heavily contaminated product. Dirt is ingested through the compressor inlet, oil is carried over from the piston, and water condenses out at the higher air pressure. The demand for more sophisticated and more reliable pneumatic systems can only be met by ultra-clean compressed air.

Ultra-clean compressed air is most conveniently produced in the production plant by the installation of a well-designed Coalescing Filtration System. This system will remove essentially all solid and liquid contamination, with minimum maintenance and low operating costs. Headline Coalescing Filters remove up to 99.99% of solid and liquid particles down to 0.1 micron, producing truly clean compressed air.



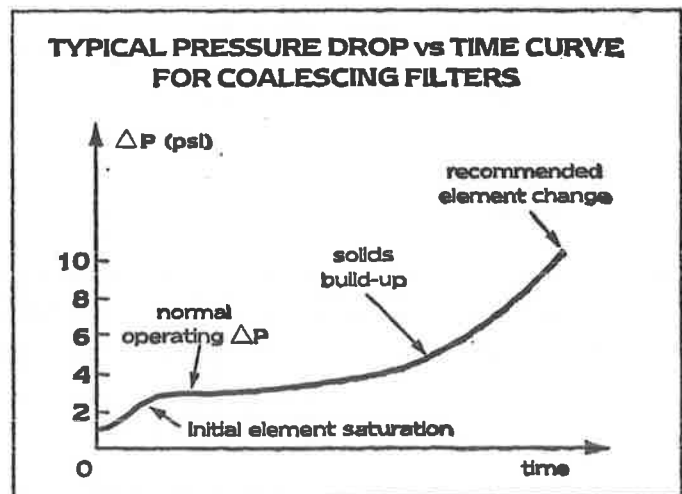
At the heart of the Headline Coalescing Filter is the completely disposable C-type coalescing element. Made entirely from borosilicate glass microfiber and fluorocarbon binder, it is compatible with all compressor lubricants and will operate at temperatures up to 300°F.

The C-type element has a two-layer structure, an inner particle capture-layer and an outer drainage-layer. Liquid droplets remain mobile once captured and travel through the fine-pored capture-layer, along the intersecting microfibers, growing in size as they progress. These coalesced droplets are transferred to the large-pored drainage-layer, from where they drain by gravity into the filter bowl. Liquid collected in the filter bowl can be removed by a manual or fully automatic drain.



Headline C-type elements are completely self-supporting and are sealed into the filter housing simply by tightening a retaining nut. No end caps, gasketing materials or support cores are required. At element change only the filtering material itself is discarded, and this complete disposability keeps replacement element costs down.

Headline Coalescing Filters are designed to have an initial dry pressure drop of less than 2 psi. Thereafter the pressure drop will increase very slowly as solid particles are captured and retained in the capture-layer of the element. Headline recommends changing the filter element when the pressure drop reaches 10 psi. The optional differential pressure indicator will give a visual warning of the need to change the filter element.





## HEADLINE BENEFITS

- COMPLETE REMOVAL OF OIL, WATER AND SOLIDS
- HIGH FLOW RATES, LOW PRESSURE DROPS
- LOW COST, COMPLETELY DISPOSABLE MICROFIBER FILTER ELEMENTS
- COMPATIBLE WITH ALL COMPRESSOR LUBRICANTS
- WIDE VARIETY OF HOUSING SIZES & OPTIONS AVAILABLE
- CHOICE OF MANUAL OR FULLY AUTOMATIC DRAINS

### HOW TO SELECT THE CORRECT GRADE OF FILTER ELEMENT

#### GRADE 70C - COALESCER

has an efficiency rating of 95% against 0.1 micron particles and aerosols and should be specified for all general purpose applications requiring clean compressed air e.g. Protection of valves, cylinders, air tools, air motors and pumps etc.

#### GRADE 50C - COALESCER

has an efficiency rating of 99.99% against 0.1 micron particles and aerosols and should be specified for the most demanding applications requiring the highest quality of air cleanliness e.g. air bearings, spray coating, instrumentation, laser systems, food contact etc. For best performance a grade 70C coalescer should be used as a prefilter to the grade 50C.

#### GRADE CC - VAPOR ADSORPTION

Coalescing filters can only remove the oil and water present in compressed air lines as liquid aerosols. They cannot remove the small fraction of oil present as a true vapor or water vapor. Headline manufactures a range of vapor adsorption filter cartridges which will remove such gaseous contamination when used in conjunction with coalescing filters. These grade CC cartridges fit the complete range of Headline Compressed Air Housings and are described in detail on page 6. Please remember grade CC Vapor Adsorption Cartridges must always be protected by a grade 50C coalescing prefilter.

### HOW TO SELECT THE CORRECT FILTER HOUSING

First select the correct grade of element using the guidelines above. Next estimate the maximum air flow and line pressure expected at the filter. Now turn to page 8 of this bulletin and select which housings have the necessary flow capacity for the grade of element chosen. Then refer to the specification tables on pages 4 & 5 to select the housing which has the necessary pressure and temperature capability, and the required drain option.

#### LARGER HOUSINGS

Details of larger Headline Filters are available on request.

#### INSTALLATION GUIDE

- Never install a filter with ports smaller than the existing air line size.
- Always install the filter as close as possible to the equipment being protected.
- Never exceed the maximum rated flow of the filter, or its efficiency will be jeopardized.
- Never install polycarbonate bowls where synthetic lubricants or solvents may contact them.
- Always use a grade 70C prefilter before a grade 50C final filter.
- Always protect grade CC vapor adsorption cartridges with a grade 50C coalescer.

### HOW TO ORDER

**FILTER HOUSINGS** - Please specify model no., port size and element grade required. e.g. 360A-50C-1/4"  
Each housing comes complete with filter element, ready for installation.

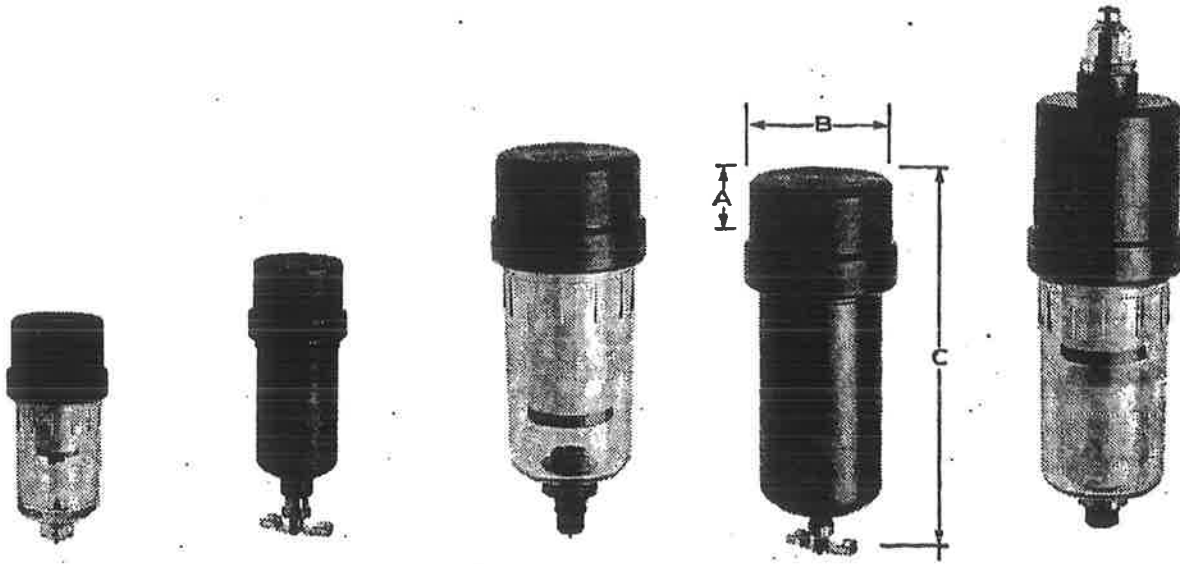
**ACCESSORIES** - For your convenience please order accessory items at the time of ordering the filter housing.  
Please check the exact order codes in the table on page 4, 5, 6 & 7. |

**REPLACEMENT ELEMENTS** - Coalescing elements are sold in packs of 3 or 10. Please refer to tables on pages 4 & 5 for the exact order codes. Please specify the grade required.  
Adsorption cartridges are sold individually.





# HIGH EFFICIENCY COALESCING FILTERS 1/8" THROUGH 1/2"



MODEL 315

MODEL 315A

MODEL 360

MODEL 360A

MODEL 360FI

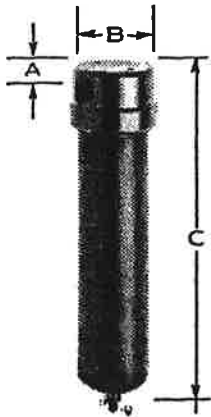
## PRINCIPAL SPECIFICATIONS

HOUSING MODEL	315	315A	360	360I	360FI	360A	360AF	370	370I	370FI
PORT SIZE (NPT)	1/8" or 1/4"	1/8" or 1/4"	1/4" or 1/2"	1/4" or 1/2"	1/4" or 1/2"	1/4" or 1/2"	1/4" or 1/2"	1/2"	1/2"	1/2"
DRAIN TYPE	manual	manual	dump valve	dump valve	automatic	manual	automatic	dump valve	dump valve	automatic
MAXIMUM TEMPERATURE (°F)	120	200	120	120	120	200	200	120	120	120
MAXIMUM PRESSURE (psig)	150	250	150	150	150	250	250	150	150	150
PRINCIPAL DIMENSIONS - A (inches) - B - C	0.39 1.57 3.82	0.39 1.57 4.45	0.61 2.44 6.14	0.61 2.44 7.84	0.61 2.44 8.66	0.61 2.44 6.30	0.61 2.44 7.17	0.61 2.44 10.28	0.61 2.44 11.97	0.61 2.44 11.97
FILTER ELEMENT CODES (1)	12-32-□	12-32-□	25-64-□	25-64-□	25-64-□	25-64-□	25-64-□	25-178-□	25-178-□	25-127-□
MAXIMUM PRESSURE DROP - (psi)	100	100	100	100	100	100	100	100	100	100
MAXIMUM PRESSURE DROP AT ELEMENT CHANGE - (psi)	10	10	10	10	10	10	10	10	10	10
MATERIALS OF CONSTRUCTION (2)										
- Head	Al	Al	Al	Al	Al	Al	Al	Al	Al	Al
- Bowl	Pc	Al	Pc	Pc	Pc	Al	Al	Pc	Pc	Pc
- Internals	Nylon	Nylon	Nylon	Nylon	Nylon	Nylon	Nylon	SS/Al	SS/Al	SS/Al
- Seals	Buna-N	Buna-N	Buna-N	Buna-N	Buna-N	Buna-N	Buna-N	Buna-N	Buna-N	Buna-N
- Others	Brass	Brass	Plastic/Brass	Plastic/Brass	Plastic/Brass	Brass	Plastic/Brass	Plastic/Brass	Plastic/Brass	Plastic/Brass
OPTIONAL ITEMS										
Mounting bracket	MB315	MB315	MB360	MB360I	MB360I	MB360	MB360	MB360	MB360I	MB360I
Bowl Guard	BG315	-	BG360	BG360	BG360	-	-	BG360	BG360	BG360
gasket seal set	GV315	GV315	GV360	GV360	GV360	GV360	GV360	GV370	GV370	GV370
DPI Kit	-	-	-	Included	Included	-	-	-	Included	Included

(1) Enter grade required - 50C or 70C or CC. CC cartridges are not used in housings with automatic drains.

(2) Material abbreviations: Al=Anodized aluminum, Pc=Polycarbonate, SS=Stainless Steel.

# HIGH EFFICIENCY COALESCING FILTER 1/2" THROUGH 3"



MODEL 370A

MODEL 380AF

MODEL 385AF

MODEL 390AF

MODEL 395AF

## PRINCIPAL SPECIFICATIONS

HOUSING MODEL	370A	370AF	380A	380AF	385A	385AF	390A	390AF	395A	395AF
PORT SIZE (NPT)	1/2"	1/2"	3/4" or 1"	3/4" or 1"	1 1/2"	1 1/2"	2"	2"	3"	3"
DRAIN TYPE	manual	automatic	manual	automatic	manual	automatic	manual	automatic	manual	automatic
MAXIMUM TEMPERATURE (°F)	200	200	200	200	200	200	200	200	200	200
MAXIMUM PRESSURE (psig)	250	250	250	250	250	250	250	250	250	250
PRINCIPAL DIMENSIONS - A (inches)	0.61	0.61	1	1	1.85	1.85	1.85	1.85	2.56	2.56
- B	2.44	2.44	3.94	3.94	5.51	5.51	5.51	5.51	7.48	7.48
- C	10.28	10.28	11.61	11.61	14.57	14.57	25	25	38.19	38.19
FILTER ELEMENT CODES (1)	25-178-□	25-127-□	38-152-□	38-152-□	51-230-□	51-230-□	51-476-□	51-476-□	63-762-□	63-762-□
MAXIMUM PRESSURE DROP - (psi)	100	100	100	100	100	100	100	100	100	100
MAXIMUM PRESSURE DROP AT ELEMENT CHANGE - (psi)	10	10	10	10	10	10	10	10	10	10
MATERIALS OF CONSTRUCTION (2)										
- Head	Al	Al	Al	Al	Al	Al	Al	Al	Al	Al
- Bowl	Al	Al	Al	Al	Al	Al	Al	Al	Al	Al
- Internals	SS/Al	SS/Al	SS/Al	SS/Al	SS/Al	SS/Al	SS/Al	SS/Al	SS/Al	SS/Al
- Seals	Buna-N	Buna-N	Buna-N	Buna-N	Buna-N	Buna-N	Buna-N	Buna-N	Buna-N	Buna-N
- Others	Brass	Plastic/Brass	Brass	Plastic/Brass	Plastic	Plastic/Brass	Plastic	Plastic/Brass	Plastic	Plastic/Brass
OPTIONAL ITEMS										
Mounting bracket	MB360	MB360	MB380	MB380	MB385	MB385	MB390	MB390	MB390	MB390
Bowl Guard	-	-	-	-	-	-	-	-	-	-
Viton seal set	GV360	GV360	GV380	GV380	GV385	GV385	GV390	GV390	GV395	GV395
DPI Kit	-	-	DP380	DP380	DP380	DP380	DP380	DP380	DP380	DP380

(1) Enter grade required - 50C or 70C or CC. CC cartridges are not used in housings with automatic drains.

(2) Material abbreviations: Al=Anodized aluminum, Pc=Polycarbonate, SS=Stainless Steel.



# VAPOR ADSORPTION FILTERS 1/4" THROUGH 2"

## REMOVE LAST TRACES OF OIL VAPOR AND ODOR FROM COMPRESSED AIR.

Headline grade CC vapor Adsorption Cartridges fit the standard range of compressed air housings described on pages 4 & 5 and are designed to remove the last traces of oil vapor and odor from compressed air. The cartridge consists of a cylinder of activated carbon cloth sandwiched between two filter tubes providing the most effective known adsorption of organic vapors. Carbon cloth is up to 20 times more efficient in the removal of organic vapors than granulated carbon, giving Headline cartridges exceptional flow and life characteristics.

GRADE CC ADSORPTION CARTRIDGES



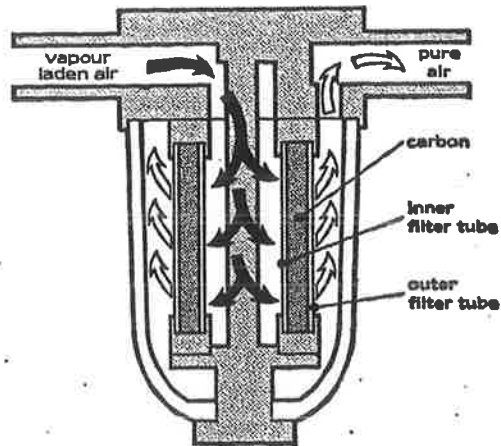
### ADSORPTION CHARACTERISTICS

EXCELLENT ADSORPTION - HYDROCARBONS C<sub>4</sub> & LARGER

- FREONS
- OIL VAPOR
- ALCOHOLS
- ALDEHYDES & KETONES
- AROMATIC HYDROCARBONS

LITTLE ADSORPTION

- METHANE
- CARBON MONOXIDE
- CARBON DIOXIDE
- ACETYLENE
- AMMONIA
- AMINES
- HYDROCARBONS C<sub>3</sub> & LOWER.



GRADE CC ADSORPTION CARTRIDGE HOW IT WORKS

## RECOMMENDED PREFILTER/ADSORBER COMBINATIONS

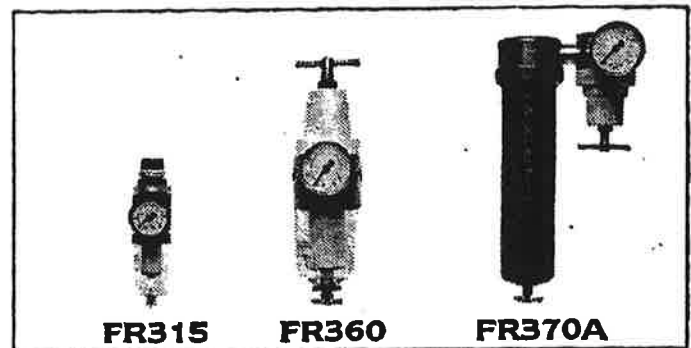
Line Size	Maximum flow rate at 100 psig	Prefilter Housing (use 50C element)	Adsorber Housing and cartridge code
1/4"	5 scfm	315, 315A	315, 315A + 12-32-CC
1/2"	15 scfm	360F, 360AF	360, 360A + 25-64-CC
1/2"	40 scfm	370F, 370AF	370A + 25-178-CC
3/4", 1"	80 scfm	380AF	380A + 38-152-CC
1 1/2"	125 scfm	385AF	385A + 51-230-CC
2"	250 scfm	390AF	390A + 51-476-CC
3"	560 scfm	395AF	395A + 63-762-CC

# COALESCING FILTER REGULATORS 1/4" THROUGH 1/2"



## HIGH EFFICIENCY COALESCING FILTRATION + HIGH QUALITY PRESSURE REGULATION

In one convenient piggy-back unit. Headline coalescing filter regulators combine all the advantages of coalescing filtration using grade 50C filter elements with a high performance pressure regulator. The regulator is placed downstream of the coalescer to provide clean, dry air at constant pressure, irrespective of the pressure drop across the coalescer.

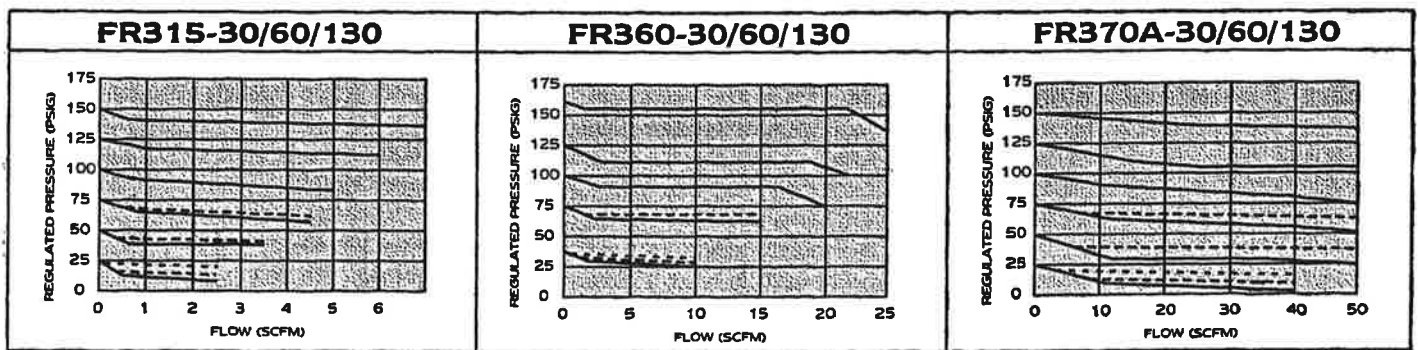


## PRINCIPAL SPECIFICATIONS

MODEL NO.	FR315	FR315A	FR360	FR360A	FR370A
PORT	1/4"	1/4"	1/4"	1/4"	1/2"
GAUGE PORTS	1/8"	1/8"	1/4"	1/4"	1/4"
FILTER ELEMENT CODE	12-32-50C	12-32-50C	25-64-50C	25-64-50C	25-178-50C
MATERIALS OF CONSTRUCTION (1)					
- Head	Al	Al	Al	Al	Al
- Bowl	Pc	Al	Pc	Al	Al
- Internals	Nylon & Buna-N	Nylon & Buna-N	SS & Buna-N	SS & Buna-N	SS & Buna-N
Maximum Temperature (°F)	120	220	120	220	220
Maximum Inlet Pressure (psig)	150	250	150	250	250
Regulated Range 0-30 psig	FR315 - 30	FR315A - 30	FR360 - 30	FR360A - 30	FR370A - 30
5-60 psig	- 60	- 60	- 60	- 60	- 60
10-130 psig	- 130	- 130	- 130	- 130	- 130
% Drop at maximum flow rate	8	8	8	8	8

(1) Material abbreviations: Al=Anodized aluminum, Pc=Polycarbonate, SS=Stainless Steel.

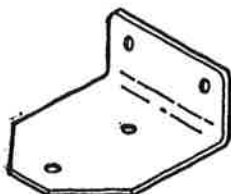
## FLOW CHARACTERISTICS



## ACCESSORIES

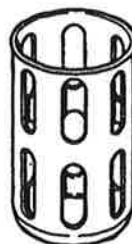
### MOUNTING BRACKETS

Filter Mounting Brackets are available for most Headline Filters. The model no. for each housing is given in the tables on pages 4 & 5.



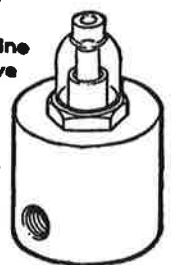
### BOWL GUARDS

Available for all filters with polycarbonate plastic bowls to protect against impact damage. Headline recommends that, in the interest of safety, bowl guards always be installed.



### DIFFERENTIAL PRESSURE INDICATORS

Differential Pressure Indicators can be installed on all Headline Filters to give positive visual indication of the need to change elements. Differential Pressure Indicators can also be built into the head on many models.





# COMPRESSED AIR FILTER SYSTEMS

## AIR FLOW RATES in SCFM at 2 psi Pressure Drop

HOUSING MODEL	LINE SIZE	ELEMENT GRADE	AIR LINE PRESSURE (psig)								
			2	20	40	60	80	100	150	200 <sup>(1)</sup>	250 <sup>(1)</sup>
315, 315A	1/4"	70C	4.4	9.0	14	20	25	30	43	56	69
		50C	1.3	2.7	4.3	5.9	7.4	9.0	13	17	21
		CC	0.7	1.5	2.4	3.3	4.1	5.0	7.2	9.4	12
360, 360I 360FI 360A, 360AF	1/4" or 1/2"	70C	9.5	20	31	42	54	65	93	122	150
		50C	3.6	8	12	16	21	25	36	47	58
		CC	2.2	4.5	7.2	10	12	15	22	28	35
370, 370I 370FI 370A, 370AF	1/2"	70C	22	45	72	98	125	150	215	280	345
		50C	8.7	18	29	39	50	60	86	112	138
		CC	5.8	12	19	26	33	40	57	75	92
380A, 380AF	3/4" or 1"	70C	58	120	190	260	330	400	570	750	920
		50C	15	30	48	65	83	100	144	187	230
		CC	12	24	38	52	66	80	115	150	185
385A, 385AF	1 1/2"	70C	116	240	380	520	660	800	1150	1500	1850
		50C	25	53	83	114	144	175	250	330	405
		CC	18	38	60	81	103	125	180	235	290
390A, 390AF	2"	70C	205	425	670	910	1160	1400	2010	2620	3230
		50C	51	106	167	230	290	350	505	655	810
		CC	36	76	120	163	205	250	360	470	580
395A, 395AF	3"	70C	400	835	1320	1800	2300	2800	4320	5900	7200
		50C	115	240	380	520	665	795	1226	1710	2100
		CC	80	170	270	365	470	560	864	1200	1450

(1) Airline pressures above 150 psig apply only to housings with aluminum bowls.  
Housings with polycarbonate bowls are limited to 150 psig.

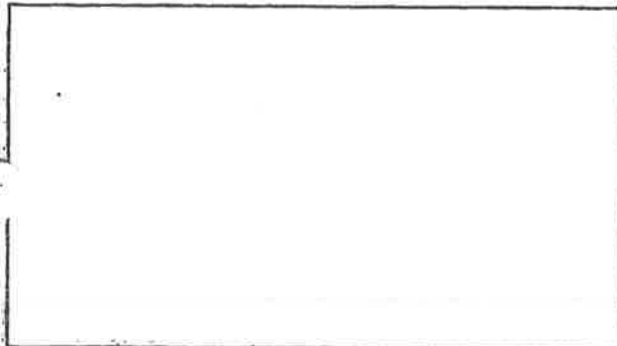
### WARRANTY

HEADLINE FILTERS WARRANTS their products against defects in material and workmanship for a period of one year from the date of purchase, providing use was in accordance with Headline Filters recommendations. If product fails to perform as warranted, Headline Filters will replace the product free of charge. The company will not be liable for incidental or consequential damages, labor charges, delays, or any other charges. We make no other warranty, expressed or implied.

The user through his own analysis and testing is solely responsible for product selection and ensuring all reasonable safety and warning requirements of the application are met.

HEADLINE FILTERS reserves the right to make design changes and improvements in our products at any time without notice.

Distributed by:-



© Headline Filters 1993

## HEADLINE FILTERS

Headline North America Inc.  
34062 James J. Pompo Drive  
Fraser MI 48026  
Phone: (810) 296-8007  
Fax: (810) 296-8081





H-420A/B

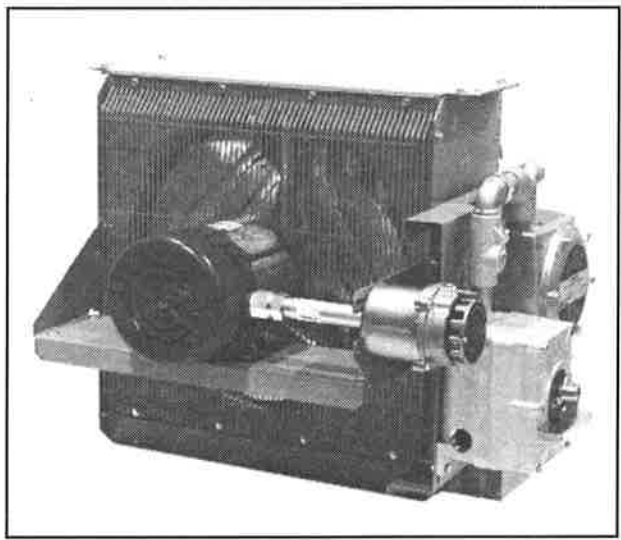
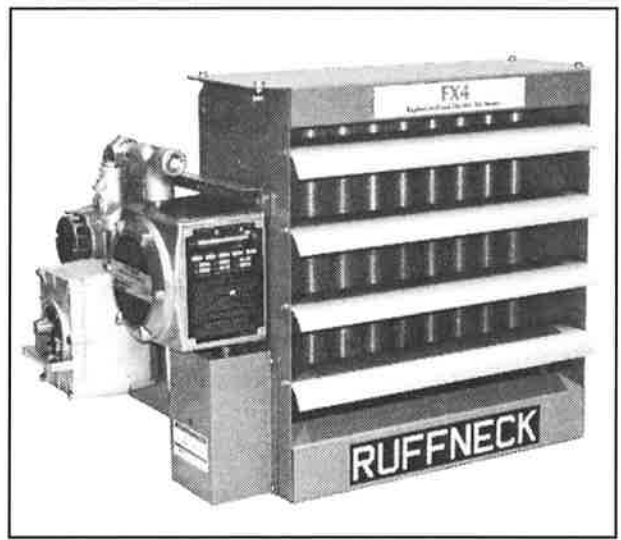
# RUFFNECK® Heaters

## Owner's Manual



# FX4 Series

### Electric Forced Air Heaters for Hazardous Locations



**This manual covers the installation, maintenance, repair and replacement parts.**

#### APPROVED LOCATIONS

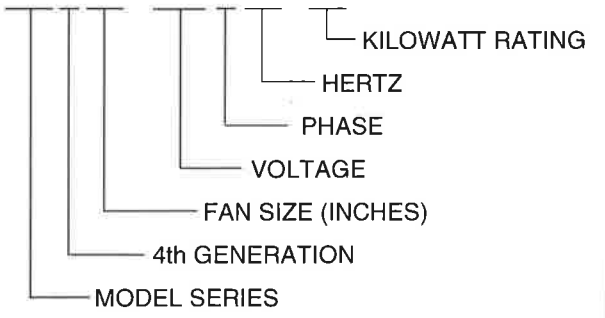
The Electric Forced Air Heaters are CSA certified and/or UL listed for the following locations:

- Class I, Divisions 1 & 2, Groups C & D;
- Class II, Division 1, Groups E, F, & G;
- Class II, Division 2, Groups F & G;
- Class I, Zones 1 & 2, Groups IIA & IIB;
- Temperature Code T3B 165°C (329°F)
- (50 Hz & 60 Hz Models)

For details of hazardous locations with potential for explosion, refer to the Canadian Electrical Code, Part 1, Section 18 or National Electrical Code articles 500-516.

#### MODEL CODING

**FX 4 20 - 480 3 60 - 35**



# WARNING!

**READ ALL IMPORTANT NOTICES ON PAGE 3.**



Part No. 5031-10

Printed in Canada

# HEATER MAINTENANCE CHECKLIST

For Electric Forced Air Heaters

Photocopy  
this page  
for reuse.

Heater Model: \_\_\_\_\_ Serial No.: \_\_\_\_\_  
Date of Maintenance: \_\_\_\_\_ Maintenance Done By: \_\_\_\_\_  
Comments: \_\_\_\_\_

## WARNING

Disconnect heater from power supply at integral disconnect or fuse box before opening enclosures or servicing heater.  
Lock the switch in the "OFF" (open) position and/or tag the switch to prevent unexpected power application.  
IF INTEGRAL DISCONNECT IS BEING SERVICED, verify that power has been disconnected at fuse box or main panel.  
Lock the switch in the "OFF" (open) position and/or tag the switch to prevent unexpected power application.  
This heater should only be serviced by personnel with heating and hazardous location equipment experience.

## PERIODIC (before and as required during heating season)

- |          |                                       |          |   |
|----------|---------------------------------------|----------|---|
| 1. CLEAN | <input type="checkbox"/> Finned Tubes | 2. CHECK | <input type="checkbox"/> Motor for smooth, quiet operation        |
|          | <input type="checkbox"/> Fan          |          | <input type="checkbox"/> Louvers for proper angle and tightness   |
|          | <input type="checkbox"/> Fan Guard    |          | <input type="checkbox"/> All explosion-proof covers for tightness |
|          | <input type="checkbox"/> Motor        |          |   |
|          | <input type="checkbox"/> Louvers      |          |   |

**Remove dust using compressed air. Do not spray with water or solvents.  
Do not immerse in water or solvents.**

## ANNUAL (before heating season)

- ELECTRICAL
  - Check all terminal connections and conductors.** Tighten loose connections. Conductors with damaged insulation must be replaced.
  - Inspect contactor contacts.** If badly pitted, burned or welded shut, replace with factory supplied contactor.
  - Check fuses.** Fuse rating and type are on printed circuit board. Correct fuse must be in the active fuse clip. It is recommended that a spare fuse be stored in the spare fuse clip.
  - Check all explosion-proof conduits.** Replace damaged conduits. All threaded conduit connections must have a minimum 5 turns engagement. Straight threaded conduit must protrude a minimum of 1/16" (1.6mm) inside enclosures. Taper threaded connections must be at least hand tight.
  - Check electrical resistance on all load side legs.** Reading should be balanced ( $\pm 5\%$ ).
- MECHANICAL
  - Check for fluid leakage.** The heater core is vacuum charged and contains ethylene glycol which is **poisonous**. If any fluid leakage occurs from the heater, disconnect it from the power supply and have the core replaced. A factory supplied exchange core can be shipped immediately from stock. Refer to the "Repair and Replacement" section for details.
  - Check all enclosures.** Interior of enclosures must be clean, dry and free of foreign materials. Threaded covers must be installed and hand tight.  
**Note:** Enclosure joints are metal to metal. Do not use gasket material or sealant in joints. A grease is applied to the joints at the factory and should be left intact.
  - Check motor shaft bearing play.** Replace motor if play is excessive, or if motor does not run quietly and smoothly. Motor bearings are permanently lubricated.
  - Check fan.** Replace immediately if cracked or damaged.
  - Check louvers.** Louver screws should be tight. Louvers shall not be fully closed or override stops.
  - Check the tightness of all hardware.** All nuts and bolts, including mounting hardware, must be tight.
  - Turn heater on for a minimum of five minutes.** Check for warm air exiting heater through louvers. Crackling or pinging noises within heater during start-up are normal.



**For assistance, please call  
Toll Free: 1-800-661-8561 (24 hrs)  
U.S. & Canada**



# IMPORTANT NOTICES

## WARNING

Read and adhere to the following. Failure to do so may result in severe or fatal injury.

1. Read and follow all instructions in this manual.
2. Heater is to be used only in atmospheres having an ignition temperature higher than the heater's maximum rated operating temperature as shown on the heater data plate. Refer to applicable electrical codes for additional information.
3. Heater to be used only in the hazardous locations indicated on the heater's data plate.
4. Heater is for dry indoor use only. Do not immerse in water. Do not store or use in areas exposed to rain or snow.
5. Heater is to be connected and serviced only by a qualified electrician experienced with hazardous location equipment.
6. Installation and wiring of the heater must adhere to all applicable codes.
7. Disconnect heater from power supply at integral disconnect or fuse box before opening enclosures or servicing heater. Lock the switch in the "OFF" (open) position and/or tag the switch to prevent unexpected power application. IF INTEGRAL DISCONNECT IS BEING SERVICED, verify that power has been disconnected at fuse box or main panel. Lock the switch in the "OFF" (open) position and/or tag the switch to prevent unexpected power application.
8. This heater is equipped with a single bimetal overtemperature high-limit. It is of the automatic reset type and therefore the heater may restart without warning. The heater is not to be operated with the high-limit disabled or disconnected from the control circuit.
9. Venting pressure of the pressure relief valve is factory set. Do not tamper with lock nut.
10. Operate the heater only while it is permanently mounted in an upright position. Refer to the "Installation - Mechanical" section for details.
11. Heater must be kept clean. When operating in a dirty environment, regularly clean the finned tubes, fan, and fan guard. Follow the recommended maintenance procedures. Refer to the "Heater Maintenance Checklist" section for details.
12. The heater core is vacuum charged and contains ethylene glycol which is **poisonous**. If any fluid leakage occurs from the heater, disconnect it from the power supply and have the core replaced with a factory supplied core. Refer to the "Repair and Replacement" section for details.
13. Do not operate the heater with any of the louvers fully closed or overriding their stops.
14. Do not operate the heater in atmospheres corrosive to steel or aluminum.
15. Do not operate heater in ambient temperatures above 40°C (104°F).
16. Use factory approved replacement parts only.
17. See applicable electrical codes for seal requirements in field installed conduits. Factory installed conduits require no further sealing.
18. Crackling or pinging noises within the heater core during start up may occur. This is normal.
19. Air discharge near the bottom of the heater may be warmer than the top. This is normal.
20. If there are any questions or concerns regarding the heater, contact the factory. Refer to the last page of this manual for details.

**WARRANTY WILL BE VOID  
IF INSTRUCTIONS ARE NOT FOLLOWED**

## INSTALLATION

The installation instructions provide a general guideline for the installation and wiring of the heater. All applicable codes must be adhered to.

## MECHANICAL

### LOCATION

For optimum heating, the heater should be installed as follows:

1. There are no obstructions that may impede the heater's air inlet or discharge.
2. The air discharge is directed into open areas and not at occupants.
3. The air discharge is not directed at a thermostat.
4. The air discharge is directed across areas of heat loss, such as doors and windows (see Figure 1).
5. The air discharge is directed along and at a slight angle toward exterior walls (see Figure 1).
6. If equipment freeze protection is important, direct air discharge at equipment.
7. Air discharge streams support each other and create a circular air flow. It is not required that the heater's air throw reaches the next heater (see Figure 1).

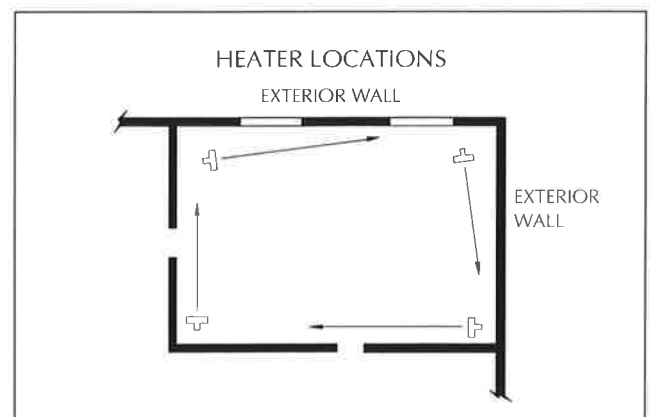


FIGURE 1

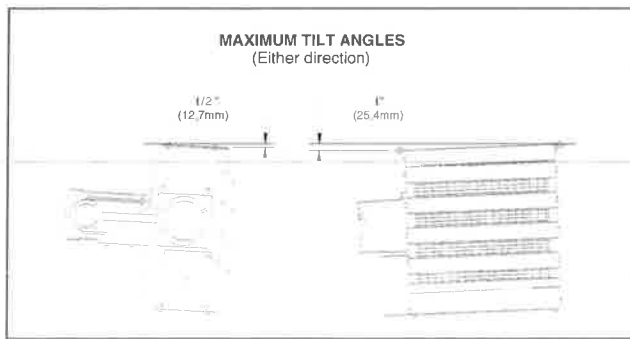


FIGURE 2

## MOUNTING

- The heater must be permanently mounted in a level, upright position for operation. See Figures 2, 3, and 4 for maximum tilt angles, installation clearances, and physical dimensions. For ease of installation, a variety of mounting kits are available from the factory.
- The mounting structure must be strong enough to:
  - support the heater's weight, refer to the "Specifications" section,
  - provide sufficient stiffness to prevent excessive vibration, and
  - withstand harsh situations such as transportable installations.

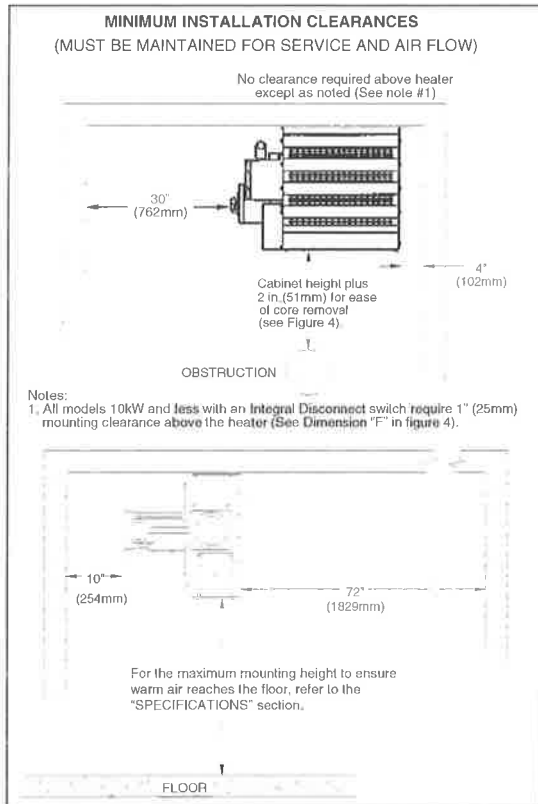
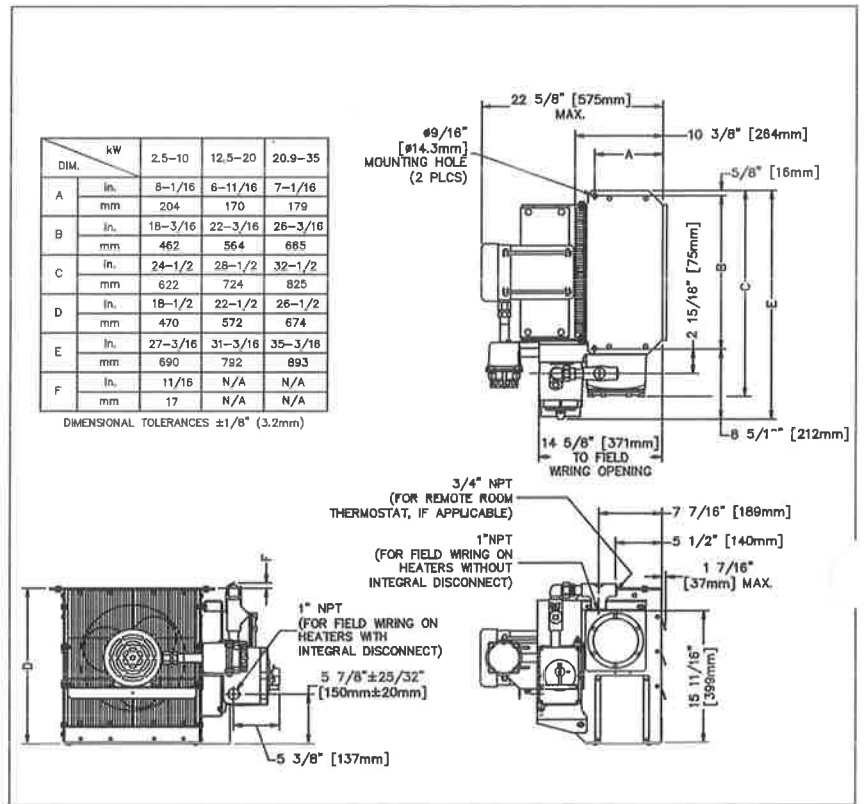


FIGURE 3



## ELECTRICAL

FIGURE 4

## WARNING

Disconnect heater from power supply at integral disconnect or fuse box before opening enclosures or servicing heater. Lock the switch in the "OFF" (open) position and/or tag the switch to prevent unexpected power application. IF INTEGRAL DISCONNECT IS BEING SERVICED, verify that power has been disconnected at fuse box or main panel. Lock the switch in the "OFF" (open) position and/or tag the switch to prevent unexpected power application. Installation and wiring of the heater must adhere to all applicable codes.

## GENERAL

- Use only copper conductors and approved explosion-proof wiring methods during installation. Refer to the "Technical Data" table and heater data plate for conductor rating.
- External overcurrent protection is required. Refer to the "Technical Data" table and heater data plate for voltage, frequency amperage, and phase. Supply voltage is to be within 10% of the data plate voltage.

## FIELD WIRING

- The supply conductors, ground conductor, and room thermostat conductors (see point 2, page 4) all pass through the 1" NPT opening (see Figure 5) and are to be wired into the control enclosure (see Figure 6A).

- Heater may be supplied with a factory installed built-in room thermostat (see Figure 7). On heaters not supplied with this option, it is recommended that a remote room thermostat be used. Connect the remote room thermostat conductors to the printed circuit board terminal block marked "TSTAT". Any thermostat used with this heater must:
  - be of an explosion-proof type,
  - be rated 125 V minimum,
  - have a minimum 2 amp capacity, and
  - open on temperature rise.

Appropriate hazardous location room thermostats are available from the factory.

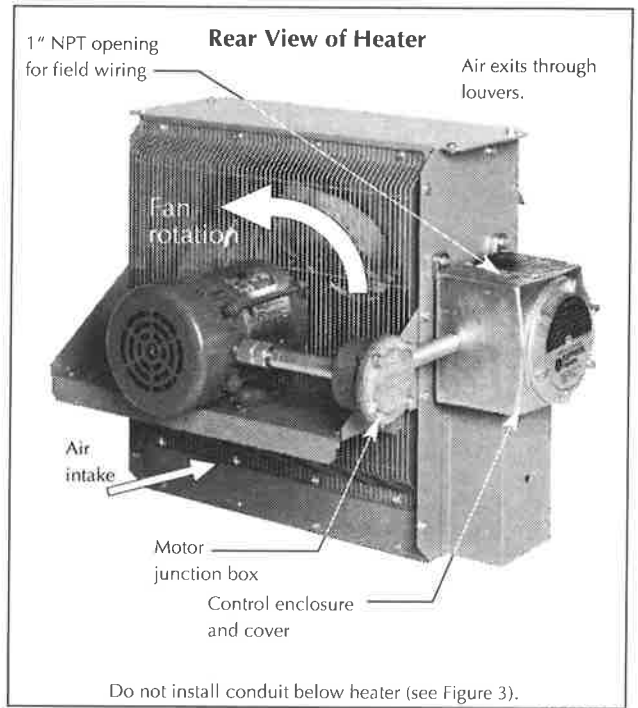
3. Heater may be supplied with a factory installed built-in integral disconnect. (See Figure 6B)

**Field Wiring for Integral Disconnect:**

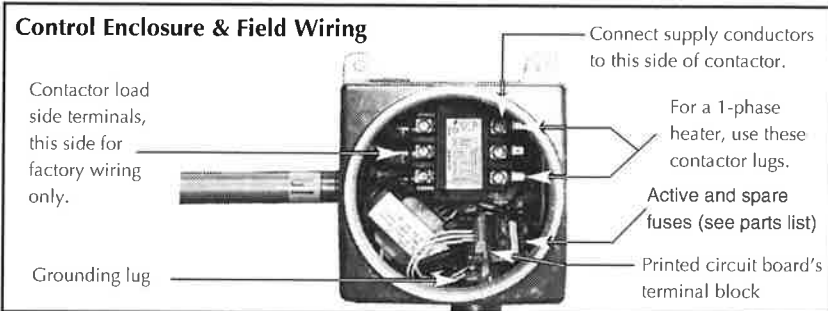
- a. Power Supply conductors and Ground conductor pass through 1"NPT opening of Disconnect Enclosure (see Figure 6B). Supply conductors to be wired to Disconnect Switch inside. Ground conductor to be wired to Ground Lug fastened to inside of Disconnect Enclosure.
- b. If applicable, Remote Room Thermostat conductors pass through 3/4"NPT opening of Tee fitting (see Figure 6B) and are to be wired to printed circuit board terminals marked "T'STAT".
- c. To reduce risk of ignition of hazardous atmospheres, conduit runs must have a sealing fitting connected within 18 inches (457 mm). Factory installed conduits require no further sealing. Integral Disconnect is sealed at factory.

**FINAL INSPECTION**

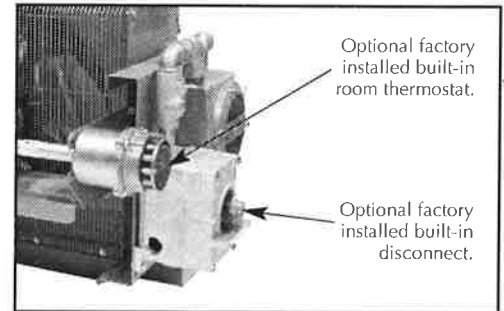
1. Before application of electrical power:
  - a. Check that all connections are secured and comply with the applicable wiring diagram (see Figure 8) and code requirements,
  - b. Confirm that the power supply is compatible with the data plate rating of the heater,
  - c. Remove any foreign objects from the heater,
  - d. Install all covers and verify that all enclosures are well secured, and
  - e. Ensure that the fan rotates freely. See Figure 5 for proper direction of fan rotation.



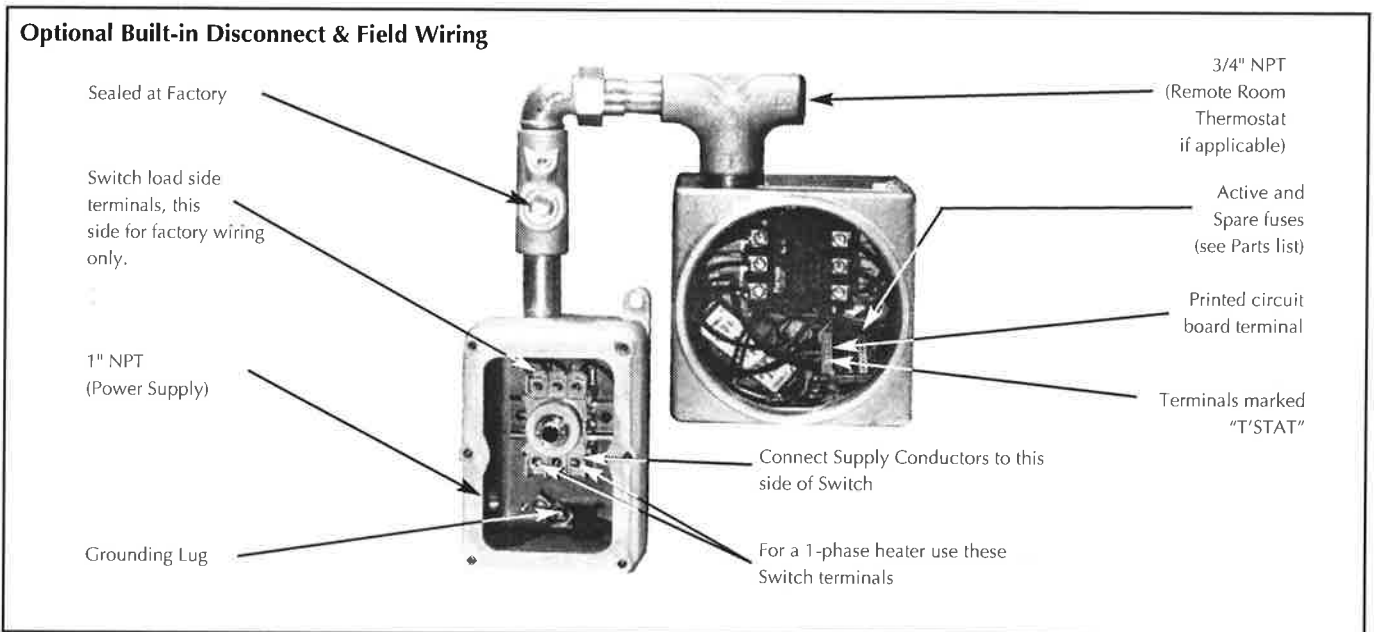
**FIGURE 5**



**FIGURE 6A**



**FIGURE 7**



**FIGURE 6B**

## WIRING DIAGRAMS

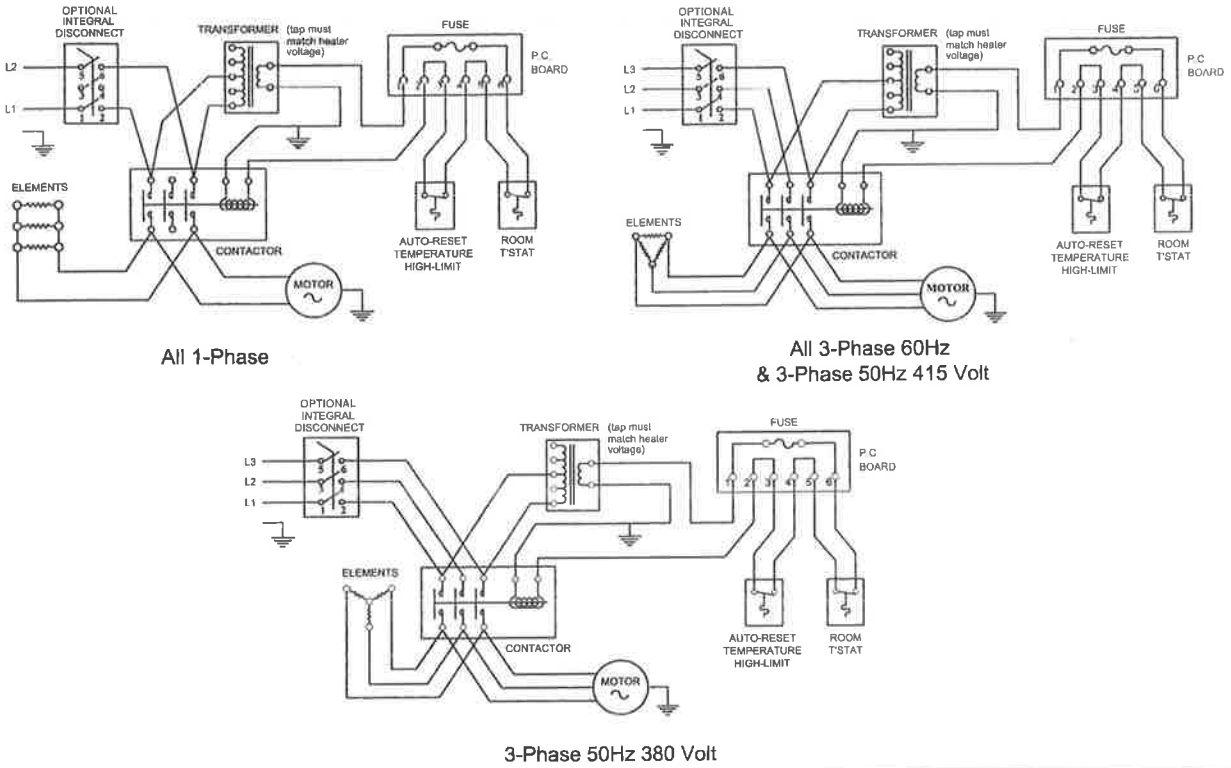


FIGURE 8



## FX4 TECHNICAL DATA FOR 50 HZ ELECTRIC AIR HEATERS

MODEL	NOTE	DS4-48-L AVAILABLE	VOLTAGE (V)	NOMINAL WATTAGE (kW)	PHASE	MAX. MOTOR NAMEPLATE CURRENT (A)	HEATER WATTAGE (W)	TOTAL CURRENT (A)	MINIMUM CIRCUIT AMPACITY (A)	SUPPLY WIRE SIZE (AWG)	MAXIMUM FUSE SIZE (A)	TEMPERATURE RISE		CORE PART NUMBER	CONTACTOR PART NUMBER
												°F	°C		
FX412-220150-2.5		✓	220	2.5	1	2.0	2,270	11.4	14.3	14	15	19.7	11.0	4045	3618
FX412-220150-4.2		✓	220	4.2	1	2.0	3,950	19.1	23.9	10	25	33.2	18.4	4049	3618
FX412-220150-6.3		✓	220	6.3	1	2.0	6,050	28.6	35.8	8	40	28.4	15.8	4053	3618
FX412-220150-8.4		✓	220	8.4	1	2.0	8,140	38.2	47.8	6	50	37.9	21.1	4057	3619
FX416-220150-12.6			220	12.6	1	2.0	12,100	57.3	71.6	4	80	27.5	15.3	4061	3619
FX412-380350-2.5		✓	380	2.5	3	0.7	2,260	3.8	4.8	14	15	19.7	11.0	4045	3618
FX412-380350-4.2		✓	380	4.2	3	0.7	3,930	6.4	8.0	14	15	33.2	18.4	4049	3618
FX412-380350-6.3		✓	380	6.3	3	0.7	6,020	9.6	12.0	14	15	28.4	15.8	4053	3618
FX412-380350-8.4		✓	380	8.4	3	0.7	8,100	12.8	16.0	12	20	37.9	21.1	4057	3618
FX416-380350-12.5		✓	380	12.5	3	0.7	12,030	19.0	23.8	10	25	27.2	15.1	4061	3618
FX416-380350-16.7		✓	380	16.7	3	0.7	16,220	25.4	31.8	8	35	36.4	20.2	4065	3618
FX420-380350-20.9		✓	380	20.9	3	1.0	20,230	31.8	39.8	8	40	22.0	12.2	4068	3618
FX412-415350-3.7		✓	415	3.7	3	0.7	3,510	5.1	6.4	14	15	29.2	16.2	4050	3618
FX412-415350-7.5		✓	415	7.5	3	0.7	7,240	10.4	13.0	14	15	33.9	18.8	4058	3618
FX416-415350-14.9		✓	415	14.9	3	0.7	14,510	20.7	25.9	10	30	32.5	18.0	4066	3618
FX420-415350-22.4		✓	415	22.4	3	1.0	21,820	31.2	39.0	8	40	23.6	13.1	4071	3618

**NOTES:**

1. Minimum conductor size for 30°C (86°F) ambient. Derate conductor for ambient temperature. Use minimum 90°C (194°F) insulation.
2. Heater is functioning normally if at rated voltage the amp draw is within 10% of the value in this table.
3. Operation at lower voltages will result in reduced heat output and amp draw.



# FX4 TECHNICAL DATA FOR 60 HZ ELECTRIC AIR HEATERS



MODEL	NOTE	DS4-48-L AVAILABLE	VOLTAGE (V)	NOMINAL WATTAGE (kW)	PHASE	MAX. MOTOR NAMEPLATE CURRENT (A)	HEATER WATTAGE (W)	TOTAL CURRENT (A)	MINIMUM CIRCUIT AMPACITY (A)	SUPPLY WIRE SIZE (AWG)	MAXIMUM FUSE SIZE (A)	TEMPERATURE RISE		CORE PART NUMBER	CONTACTOR PART NUMBER
												°F	°C		
FX412-208160-3		✓	208	3	1	2.7	2,700	14.4	18.0	12	20	19.0	10.5	4044	3618
FX412-208360-3		✓	208	3	3	1.4	2,700	8.3	10.4	14	15	19.0	10.5	4044	3618
FX412-240160-3		✓	240	3	1	2.7	2,700	12.5	15.6	12	20	19.0	10.5	4045	3618
FX412-240360-3		✓	240	3	3	1.4	2,700	7.2	9.0	14	15	19.0	10.5	4045	3618
FX412-480160-3	*	✓	480	3	1	1.3	2,700	6.3	7.9	14	15	19.0	10.5	4046	3618
FX412-480360-3		✓	480	3	3	0.7	2,700	3.6	4.5	14	15	19.0	10.5	4046	3618
FX412-600360-3	*	✓	600	3	3	0.6	2,700	2.9	3.6	14	15	19.0	10.5	4047	3618
FX412-208160-5		✓	208	5	1	2.7	4,700	24.0	30.0	10	30	31.6	17.6	4048	3618
FX412-208360-5		✓	208	5	3	1.4	4,700	13.9	17.4	12	20	31.6	17.6	4048	3618
FX412-240160-5		✓	240	5	1	2.7	4,700	20.8	26.0	10	30	31.6	17.6	4049	3618
FX412-240360-5		✓	240	5	3	1.4	4,700	12.0	15.0	14	15	31.6	17.6	4049	3618
FX412-480160-5	*	✓	480	5	1	1.3	4,700	10.4	13.0	14	15	31.6	17.6	4050	3618
FX412-480360-5		✓	480	5	3	0.7	4,700	6.0	7.5	14	15	31.6	17.6	4050	3618
FX412-600360-5	*	✓	600	5	3	0.6	4,700	4.8	6.0	14	15	31.6	17.6	4051	3618
FX412-208160-7.5		✓	208	7.5	1	2.7	7,200	36.1	45.1	6	50	27.9	15.5	4052	3619
FX412-208360-7.5		✓	208	7.5	3	1.4	7,200	20.8	26.0	10	30	27.9	15.5	4052	3618
FX412-240160-7.5		✓	240	7.5	1	2.7	7,200	31.3	39.1	8	40	27.9	15.5	4053	3618
FX412-240360-7.5		✓	240	7.5	3	1.4	7,200	18.0	22.5	10	25	27.9	15.5	4053	3618
FX412-480160-7.5	*	✓	480	7.5	1	1.3	7,200	15.6	19.5	12	20	27.9	15.5	4054	3618
FX412-480360-7.5		✓	480	7.5	3	0.7	7,200	9.0	11.3	14	15	27.9	15.5	4054	3618
FX412-600360-7.5	*	✓	600	7.5	3	0.6	7,200	7.2	9.0	14	15	27.9	15.5	4055	3618
FX412-208160-10	•*		208	10	1	2.7	9,690	48.1	60.1	4	70	37.2	20.6	4056	3619
FX412-208360-10		✓	208	10	3	1.4	9,690	27.8	34.8	8	35	37.2	20.6	4056	3618
FX412-240160-10		✓	240	10	1	2.7	9,690	41.7	52.1	6	60	37.2	20.6	4057	3619
FX412-240360-10		✓	240	10	3	1.4	9,690	24.1	30.1	8	35	37.2	20.6	4057	3618
FX412-480160-10	*	✓	480	10	1	1.3	9,690	20.8	26.0	10	30	37.2	20.6	4058	3618
FX412-480360-10		✓	480	10	3	0.7	9,690	12.0	15.0	14	15	37.2	20.6	4058	3618
FX412-600360-10	*	✓	600	10	3	0.6	9,690	9.6	12.0	14	15	37.2	20.6	4059	3618
FX416-208360-15		✓	208	15	3	1.4	14,400	41.6	52.0	6	60	27.1	15.0	4060	3619
FX416-240160-15	•*		240	15	1	2.7	14,400	62.5	78.1	4	80	27.1	15.0	4061	3619
FX416-240360-15		✓	240	15	3	1.4	14,400	36.1	45.1	6	50	27.1	15.0	4061	3619
FX416-480160-15	*	✓	480	15	1	1.3	14,400	31.3	39.1	8	40	27.1	15.0	4062	3618
FX416-480360-15		✓	480	15	3	0.7	14,400	18.0	22.5	10	25	27.1	15.0	4062	3618
FX416-600360-15	*	✓	600	15	3	0.6	14,400	14.4	18.0	12	20	27.1	15.0	4063	3618
FX416-208360-20	•*		208	20	3	1.4	19,410	55.5	69.4	4	70	36.1	20.1	4064	3619
FX416-240360-20	•*		240	20	3	1.4	19,410	48.1	60.1	4	70	36.1	20.1	4065	3619
FX416-480160-20	*	✓	480	20	1	1.3	19,410	41.7	52.1	6	60	36.1	20.1	4066	3619
FX416-480360-20		✓	480	20	3	0.7	19,410	24.1	30.1	8	35	36.1	20.1	4066	3618
FX416-600360-20	*	✓	600	20	3	0.6	19,410	19.2	24.0	10	25	36.1	20.1	4067	3618
FX420-240360-25	•*		240	25	3	2.0	24,210	60.1	75.1	4	80	21.9	12.2	4068	3619
FX420-480360-25		✓	480	25	3	1.0	24,210	30.1	37.6	8	40	21.9	12.2	4069	3618
FX420-600360-25	*	✓	600	25	3	0.8	24,210	24.1	30.1	8	35	21.9	12.2	4070	3618
FX420-480360-30		✓	480	30	3	1.0	29,190	36.1	45.1	6	50	26.3	14.6	4071	3619
FX420-600360-30	*	✓	600	30	3	0.8	29,190	28.9	36.1	8	40	26.3	14.6	4072	3618
FX420-480360-35		✓	480	35	3	1.0	34,200	42.1	52.6	6	60	28.0	15.6	4073	3619
FX420-600360-35	*	✓	600	35	3	0.8	34,200	33.7	42.1	8	45	28.0	15.6	4074	3619

- \* - CSA Certified **ONLY**
- - Exceeds the 48 amp circuit limit of NEC 424-22

### NOTES:

1. Minimum conductor size for 30°C (86°F) ambient. Derate conductor for ambient temperature. Use minimum 90°C (194°F) insulation.
2. Heater is functioning normally if at rated voltage the amp draw is within 10% of the value in this table.
3. Operation at lower voltages will result in reduced heat output and amp draw.

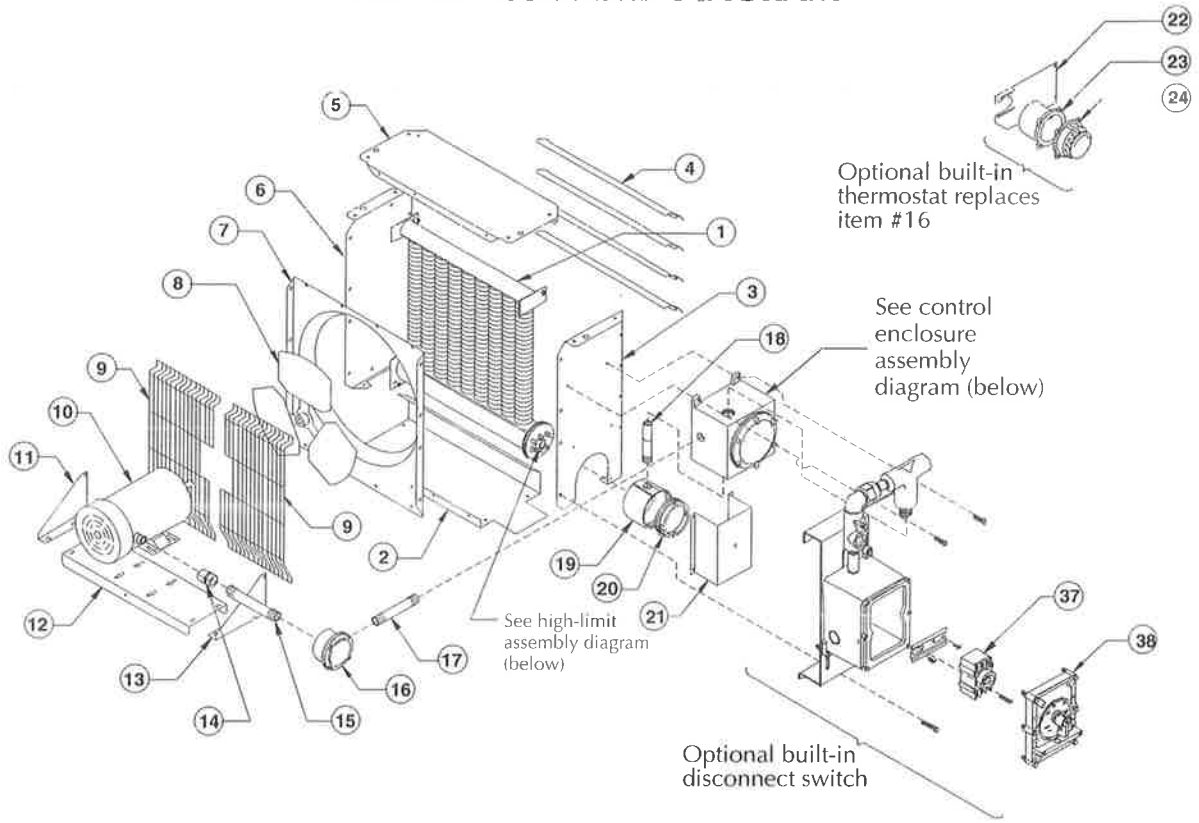
# SPECIFICATIONS FOR ALL 60 HZ MODEL

Nominal kW		3	5	7.5	10	15	20	25	30	35
Max. Altitude	(ft.)	12,000	8,000	10,000	7,000	10,000	7,000	10,000	7,000	6,000
	(m)	3,658	2,438	3,048	2,134	3,048	2,134	3,048	2,134	1,829
Air Flow	@ 70°F (CFM)	500		850		1750		3600		3950
	@ 21°C (m <sup>3</sup> /hr.)	850		1444		2973		6116		6711
Horizontal Air Throw	(ft.)	15		30		40		70		
	(m)	4.6		9.1		12.2		21.3		
Max. Mounting Height (to underside)	(ft.)	7		10		10		20		
	(m)	2.1		3.0		3.0		6.1		
Motor Power	(HP)	1/4			1/4		1/2			
	(kW)	0.187			0.187		0.373			
Fan Diameter	(in.)	12			16		20			
	(mm)	305			406		508			
Net Weight	without (lbs.)	111			133		154			
	DS4-48-L (kg)	50			61		70			
	with (lbs.)	125			147		168			
	DS4-48-L (kg)	57			67		76			
Shipping Weight	without (lbs.)	151			173		204			
	DS4-48-L (kg)	69			79		93			
	with (lbs.)	165			187		218			
	DS4-48-L (kg)	75			85		99			
Enclosures		NEMA Type 7 & 9. For dry, indoor use only. Do not immerse in water. Do not store or use in areas exposed to rain or snow.								
Motor Type		Explosion-proof. Thermally protected. Permanently lubricated ball bearings. 1725 RPM								
Fan		Aluminum blade. Steel spider and hub with 5/8 in. (15.875 mm) bore.								
Fan Guard		Split design with close wire spacing. 1/4 in. (6.3 mm) dia. probe will not enter.								
Mounting Holes		Two 9/16 in. (14.3 mm) diameter holes at top of heater.								
Heating Elements		Three long-life, low watt-density, high grade metal-sheathed elements.								
Temperature High-Limit		Automatic reset type, snap-action bimetal, open on temperature rise. Rated 100,000 cycles at 10 amps, handles 0.128 amps.								
Control Circuit		120 Volts, 0.128 amps, 15VA. (Grounded)								
Optional Built-in Thermostat		Explosion-proof. 36°F to 82°F (2°C to 28°C)								
Control Transformer		Multi-tap primary, 120 V secondary, 25 VA.								
Contactor		40 or 75 amp. Rated for 500,000 mechanical operations. 120 Volts, 15VA coil (separately fuse-protected).								
Heat Transfer Fluid		Long life formulated ethylene glycol and water, freeze protected to -49°F (-45°C).								
Cabinet Material		14 ga. (0.075 in.) (1.90 mm) steel. Epoxy coated with five-stage pretreatment, including iron phosphate.								
Core		Steel with integral aluminum fins, vacuum charged and hermetically sealed.								
Conduit Material		Heavy walled, 0.122 in. (3.1 mm) steel, cadmium plated.								
Overpressure Protection		Preset 100 psig (690 kPa) seep pressure relief valve, aluminum body, no field serviceable parts.								
Temperature Code Rating		T3B 165°C (329°F) Class I & II.								
Temperature Limitations		-49°F to 104°F (-45°C to 40°C).								
Storage Limitations		-49°F to 176°F (-45°C to 80°C), short term to 248°F (120°C). Do not store or use areas exposed to rain or snow. Do not immerse in water.								
Optional Integral Disconnect		DS4-48-L for use only on heaters with total current not exceeding 48-Amps. Lockout bar accepts 1/4" to 7/16" diameter padlock shackle.								

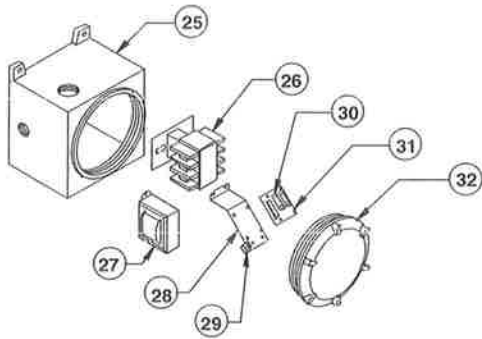
## SPECIFICATIONS FOR ALL 50 HZ MODEL

Nominal kW		2.5	3.7&4.2	6.3&7.5	8.4	12.5&12.6	14.9&16.7	20.9	22.4
Max. Altitude	(ft.)	12,000	8,000	10,000	7,000	10,000	7,000	10,000	7,000
	(m)	3,658	2,438	3,048	2,134	3,048	2,134	3,048	2,134
Air Flow	@ 70°F (CFM)	400		700		1450		3000	
	@ 21°C (m <sup>3</sup> /hr.)	679		1189		2463		5096	
Horizontal Air Throw	(ft.)	13		25		35		60	
	(m)	4.0		7.6		10.7		18.2	
Max. Mounting Height (to underside)	(ft.)	7		10		10		20	
	(m)	2.1		3.0		3.0		6.1	
Motor Power	(HP)	1/4				1/4		1/2	
	(kW)	0.187				0.187		0.373	
Fan Diameter	(in.)	12				16		20	
	(mm)	305				406		508	
Net Weight	without (lbs.)	111				133		154	
	DS4-48-L (kg)	50				61		70	
	with (lbs.)	125				147		168	
Shipping Weight	DS4-48-L (kg)	57				67		76	
	without (lbs.)	151				173		204	
	DS4-48-L (kg)	69				79		93	
Shipping Weight	with (lbs.)	165				187		218	
	DS4-48-L (kg)	75				85		99	
Enclosures	NEMA Type 7 & 9. For dry, indoor use only. Do not immerse in water. Do not store or use in areas exposed to rain or snow.								
Motor Type	Explosion-proof. Thermally protected. Permanently lubricated ball bearings. 1425 RPM								
Fan	Aluminum blade. Steel spider and hub with 5/8 in. (15.875 mm) bore.								
Fan Guard	Split design with close wire spacing. 1/4 in. (6.3 mm) dia. probe will not enter.								
Mounting Holes	Two 9/16 in. (14.3 mm) diameter holes at top of heater.								
Heating Elements	Three long-life, low watt-density, high grade metal-sheathed elements.								
Temperature High-Limit	Automatic reset type, snap-action bimetal, open on temperature rise. Rated 100,000 cycles at 10 amps, handles 0.130 amps.								
Control Circuit	115 Volts, 0.130 amps, 15VA. (Grounded)								
Optional Built-in Thermostat	Explosion-proof. 36°F to 82°F (2°C to 28°C)								
Control Transformer	Multi-tap primary, 115 V secondary, 25 VA.								
Contactors	40 or 75 amp. Rated for 500,000 mechanical operations. 120 Volts, 15VA coil (separately fuse-protected).								
Heat Transfer Fluid	Long life formulated ethylene glycol and water, freeze protected to -49°F (-45°C).								
Cabinet Material	14 ga. (0.075 in.) (1.90 mm) steel. Epoxy coated with five-stage pretreatment, including iron phosphate.								
Core	Steel with integral aluminum fins, vacuum charged and hermetically sealed.								
Conduit Material	Heavy walled, 0.122 in. (3.1 mm) steel, cadmium plated.								
Overpressure Protection	Preset 100 psig (690 kPa) seep pressure relief valve, aluminum body, no field serviceable parts.								
Temperature Code Rating	T3B 165°C (329°F) Class I & II.								
Temperature Limitations	-49°F to 104°F (-45°C to 40°C).								
Storage Limitations	-49°F to 176°F (-45°C to 80°C), short term to 248°F (120°C). Do not store or use areas exposed to rain or snow. Do not immerse in water.								
Optional Integral Disconnect	DS4-48-L for use only on heaters with total current not exceeding 48-Amps. Lockout bar accepts 1/4" to 7/16" diameter padlock shackle.								

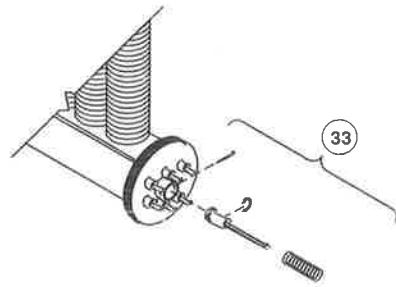
# HEATER ASSEMBLY DIAGRAM



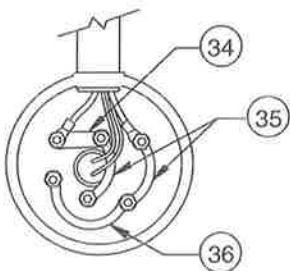
**CONTROL ENCLOSURE ASSEMBLY DIAGRAM**



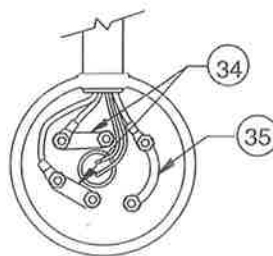
**HIGH LIMIT ASSEMBLY DIAGRAM**



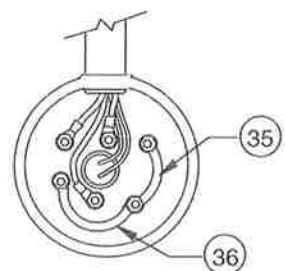
**BUS-BAR CONFIGURATION ALL 1-PHASE MODELS**



**BUS-BAR CONFIGURATION ALL 3-PHASE MODELS (EXCEPT 380 VOLT 50 HERTZ)**



**BUS-BAR CONFIGURATION 3-PHASE 380 VOLT 50 HERTZ MODELS ONLY**





# PARTS LIST

## FORCED AIR ELECTRIC HEATERS

PART NUMBERS				Please have model and serial number available before calling.
ITEM	2.5 - 10 kW	12.5 - 20 kW	20.9 - 35 kW	DESCRIPTION
1	**	**	**	Core
2	3773	3774	3775	Panel, Bottom
3	3776	3777	3778	Panel, Left Side
4	4075	4076	4077	Louver Kit, c/w Screws
5	3770	3771	3772	Panel, Top
6	3779	3780	3781	Panel, Right Side
7	3782	3783	3784	Fan Shroud
8	2.5 - 5 kW: 4022 6.3 - 10 kW: 4023	12.5 - 20 kW: 4024	20.9-30 kW: 4025 35 kW: 4026	Fan
9	4078	4079	4080	Fan Guard Kit
10	208/240V 60 HZ 1 PH: 1377 220V 50 HZ 1 PH: 1377 480V 60 HZ 1 PH: 2396 208/240/480V 60HZ 3PH: 1862 380/415V 50 HZ 3 PH: 1862 600V 60HZ 3 PH: 1861	1377 1377 2396 1862 1862 1861	240/480V 60 HZ 3 PH: 1699 380/415V 50 HZ 3 PH: 1699 600V 60 HZ 3 PH: 2433	Motor, Explosion-Proof
11	3789	3789	3789	Bracket, Motor Mount Right
12	3785	3786	3787	Channel, Motor Mount
13	3788	3788	3788	Bracket, Motor Mount Left
14	3737	3737	3737	Coupling, Motor
15	3811	3812	3813	Conduit, Motor
16	3838	3838	3838	Enclosure, Conduit Junction
17	208/240V 60 HZ 1PH: 3815 220V 50 HZ 1PH: 3815 480V 60 HZ 1PH: 3813 ALL 3PH: 3814		3813	Conduit, Control Enclosure
18	3810	3810	3810	Conduit, Element Enclosure
19	3793	3793	3793	Enclosure, Element
20	3510	3510	3510	Cover, Element Enclosure
21	3790	3790	3790	Panel, Element Enclosure Guard
22	3791	3791	3791	Bracket, Thermostat
23	4983	4983	4983	Enclosure, Thermostat
24	5032	5032	5032	Thermostat, Built-in Kit
25	3524	3525	3526	Enclosure, Control
26	**	**	**	Contactor
27	60 HERTZ: 3612	50 HERTZ: 4416		Transformer
28	3809	3809	3809	Bracket, Printed Circuit Board
29	1876	1876	1876	Terminal, 6-14 ga. Screw Lug
30	3519	3519	3519	Fuse, Buss MDQ-1/4 Amp
31	3514	3514	3514	Printed Circuit Board Assembly
32	3516	3516	3516	Cover, Control Enclosure
33	4082	4082	4082	Temperature High-Limit Kit
34	3816	3816	3816	Bus-Bar, Straight
35	3817	3817	3817	Bus-Bar, Small Curved
36	3818	3818	3818	Bus-Bar, Large Curved
37	6471	6471	6471	Switch, rotary
38	6709	6709	6709	Kit, DS4 cover

\*\* See technical data table for part numbers. NOTE: For items not shown, contact factory

# REPAIR & REPLACEMENT

## WARNING

Disconnect heater from power supply at integral disconnect or fuse box before opening enclosures or servicing heater. Lock the switch in the "OFF" (open) position and/or tag the switch to prevent unexpected power application. IF INTEGRAL DISCONNECT IS BEING SERVICED, verify that power has been disconnected at fuse box or main panel. Lock the switch in the "OFF" (open) position and/or tag the switch to prevent unexpected power application. Heater surfaces may be hot.

1. After repairing any component:
  - a. check that electrical connections are correct and secure (see Figure 8),
  - b. remove any foreign material from enclosures,
  - c. install and secure all covers,
  - d. ensure that all fasteners are tight,
  - e. remove all foreign objects from heater, and
  - f. ensure air exits through louvers and fan rotates counterclockwise when viewed from rear of heater (see Figure 13).

## CORE

The heater core is vacuum charged and not field repairable.

For core removal:

1. Remove cabinet bottom and element enclosure cover.
2. Disconnect all wires entering element enclosure (see Figure 9).
3. Slightly loosen all cabinet bolts shown in Figure 9, to prevent the core from binding.
4. With an assistant supporting the weight of the core, remove the 3 core mounting bolts. Carefully lower the core out of the cabinet (see Figure 10).
5. To return core to factory, use crate supplied with exchange core to protect the element terminals and plate threads.
6. To reinstall, lift the core up into cabinet while an assistant guides the element wires into the element enclosure conduit.
7. Position the core and tighten the 3 core mounting bolts. Tighten the remaining cabinet bolts.

## TEMPERATURE HIGH-LIMIT

1. Remove temperature high-limit assembly and clean the inside of the thermowell (see Figure 11). A clean thermowell will ensure good thermal contact.
2. Use only a factory supplied temperature high-limit to ensure safe operation.
3. Apply a small drop, 3/32" (2mm) diameter, of heat sink compound to the center of the metal cap but do not spread. This is critical for proper thermal contact between the temperature high-limit and the thermowell (see Figure 11).
4. Reinstall the temperature high-limit assembly with the snap ring and spring into the thermowell without damaging the insulating tube. Secure in place with the cotter pin (see Figure 12).

## MOTOR, FAN & FAN GUARD

1. Remove bolts holding the motor to the motor mount. On units with a built in thermostat, remove the bolts on the back of the thermostat enclosure.
2. Remove conduit #1 located between motor junction box and control enclosure by turning it in the direction illustrated (see Figure 13).  
Note: conduits #1 and #2 are not interchangeable and have left hand threads on one end, this end is indicated by a machined groove.
3. Remove the 2 piece fan guard assembly (see Figure 14).
4. Lift the motor assembly off the motor mount.
5. Before removing the fan, measure and record the location of the fan hub on the motor shaft (see Figure 15). If difficult to remove, use a gear puller on the fan hub.
6. To reassemble, place motor assembly onto motor mount and fasten the fan guard to cabinet.
7. Simultaneously engage and tighten both ends of conduit #1 into enclosures. Leave a 1/16" to 3/16" (1.6 to 4.8 mm) gap between the motor and fan guard (see Figure 16). Adjust conduit #2 to center the fan in the shroud.
8. To ensure a minimum 5 thread engagement, threaded ends of conduits must protrude a minimum of 1/16" (1.6mm) into enclosures. The groove on conduit #2 must not be more than 7/8" (22mm) from motor coupling (see Figure 13).
9. Bolt motor to motor mount. Manually spin the fan blade to ensure fan rotates freely.
10. Air must exit through louvers and fan must rotate counterclockwise when viewed from rear of heater (see Figure 13).

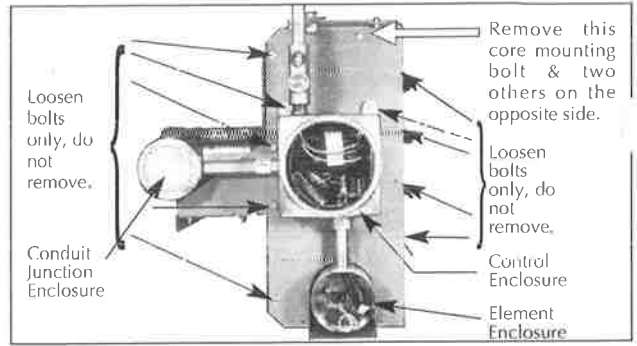


FIGURE 9

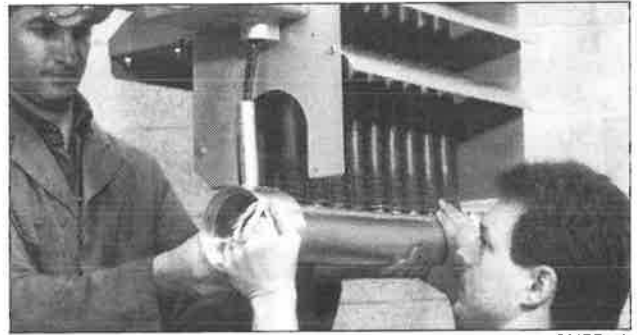


FIGURE 10

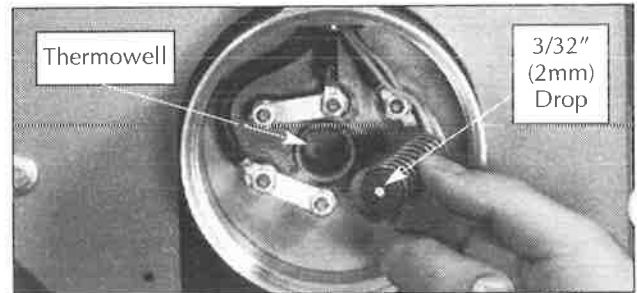


FIGURE 11

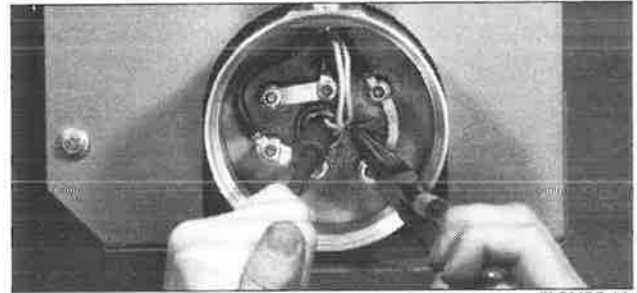


FIGURE 12

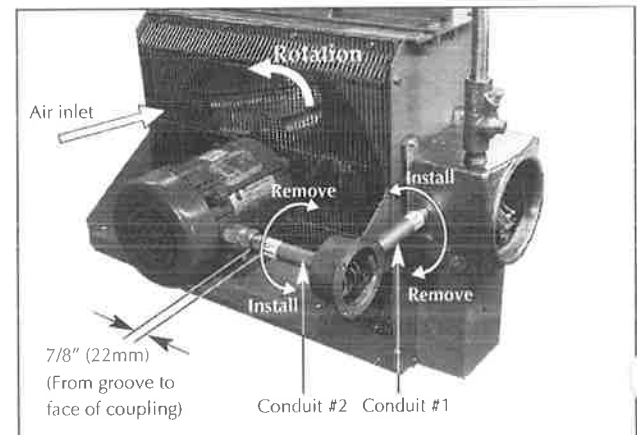


FIGURE 13

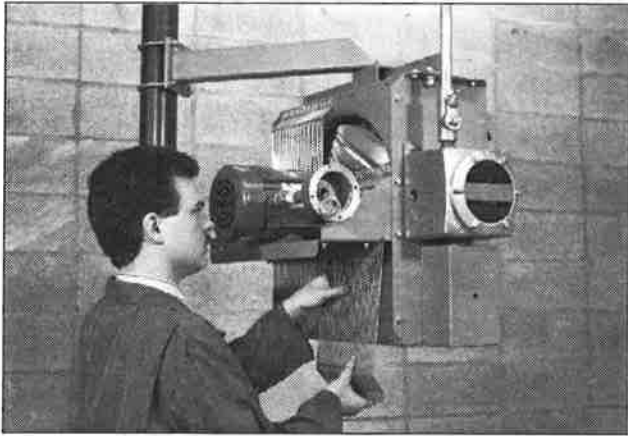


FIGURE 14

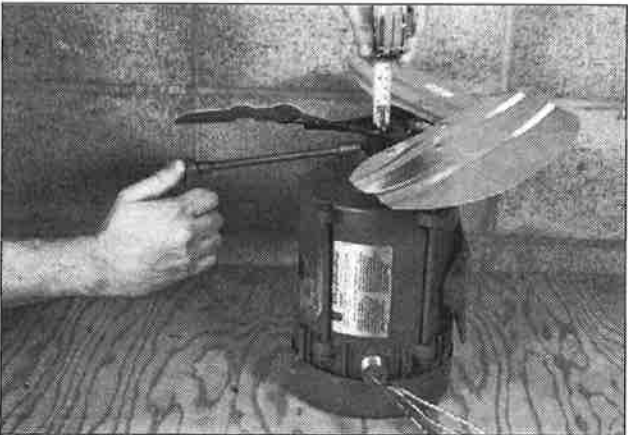


FIGURE 15

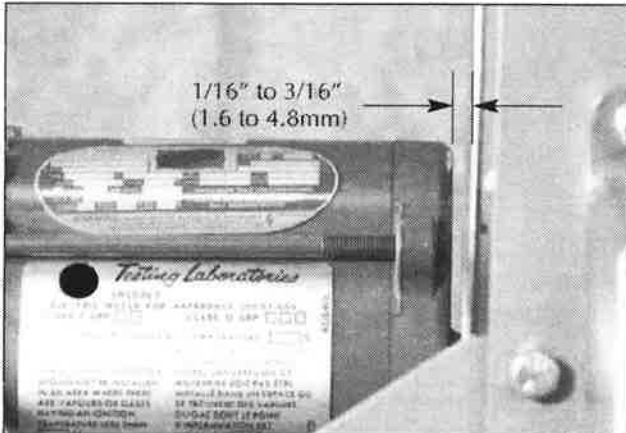


FIGURE 16

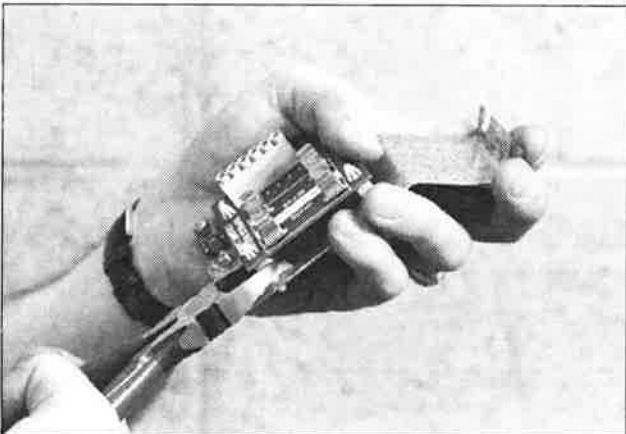


FIGURE 17

## PRINTED CIRCUIT BOARD

1. After removing the printed circuit board (P.C. Board) bracket assembly from the control enclosure, separate the P.C. Board from the bracket by cutting off the plastic spacers (see Figure 17).
2. Reinstall a new factory supplied P.C. Board onto the mounting bracket using new non-conducting spacers of the same length. Spacers are supplied with a new P.C. Board. Reinstall the control circuit ground wire to the printed circuit board bracket (see Figure 8).

## CONTACTOR

1. Loosen, but do not remove contactor mounting screws. Slide contactor off mounting screws.
2. Replace with a factory supplied contactor of the same rating.

## TRANSFORMER

1. Replace with a factory supplied transformer of the same rating.
2. On the new transformer, select primary wires to match heater voltage. Ensure that the correct transformer secondary lead is grounded (see Figure 8). Individually terminate all unused wires using closed end connectors.

## FUSE

Replace fuse with one of the same type and rating as indicated on P.C. Board or refer to parts list. An extra fuse should be stored in the clips marked "SPARE".

## HEATING ELEMENTS

Heating elements are an integral part of the vacuum charged core. A factory exchange core can be shipped immediately from stock. Refer to "Core" section for details.

## CABINET PANELS

Bolt-on cabinet panels are individually replaceable.

## INTEGRAL DISCONNECT ROTARY SWITCH

1. Disconnect power supply at main panel before opening enclosure. Lock and tag main panel switch in the "OFF" position to prevent unexpected power application.
2. Center factory supplied replacement switch along DIN rail and secure left edge of switch using pre-existing screw and lock-washer (see Figure 18).
3. Re-establish electrical-power to heater. Confirm airflow enters core through fan-guard and exits through louvers.

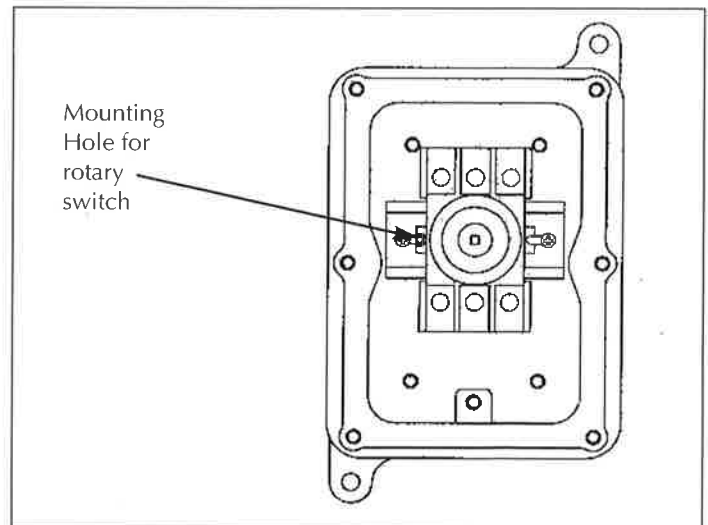


FIGURE 18



2827 Sunridge Blvd. N.E.  
Calgary, Alberta T1Y 6G1  
Canada

Phone: (403) 291-5488  
Fax: (403) 291-7042  
www.ruffneck.com  
service@ruffneck.com



**PLEASE ADHERE TO INSTRUCTIONS PUBLISHED IN THIS MANUAL.**  
Failure to do so may be dangerous and may void certain provisions of your warranty.  
For further assistance, please call:

**24 Hr. Hotline: 1-800-661-8561**  
(U.S.A. and Canada)

Please have model and serial numbers available before calling.



## **LIMITED 3 YEAR WARRANTY**

All Electric Forced Air Heaters for Hazardous Locations are warranted against defects in materials and workmanship for a period of three (3) years from date of purchase on the following terms:

1. We will provide replacement parts free of charge as necessary to restore any unit to operating condition, provided that the inoperative parts be returned to us freight prepaid and that the replacement parts be accepted freight collect.
2. The complete heater may be returned to our plant for repair or replacement (at our discretion), provided that all related freight costs be borne by the customer.
3. Corrosion and contamination by dirt, dust, etc. will not be considered as defects and, therefore, are not warrantable.
4. The heater must not be modified in any way.
5. The heater must be installed, used and stored only in accordance with the owner's manual and placarded information.

This warranty shall be limited to the actual equipment involved and, under no circumstances, shall include or extend to installation or removal costs, or to consequential losses or damages.

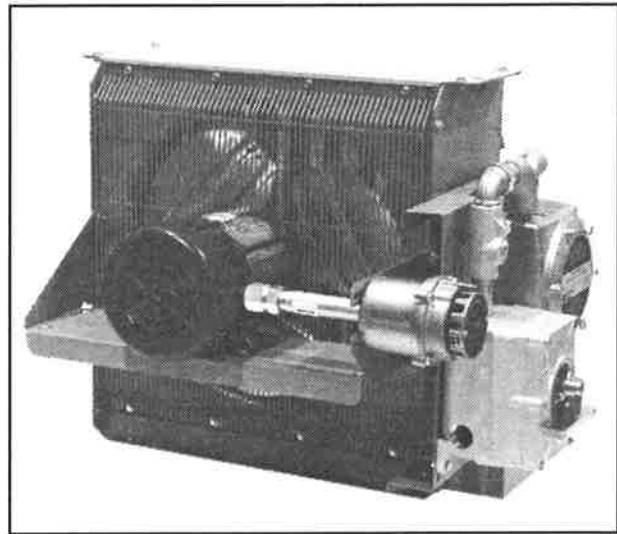
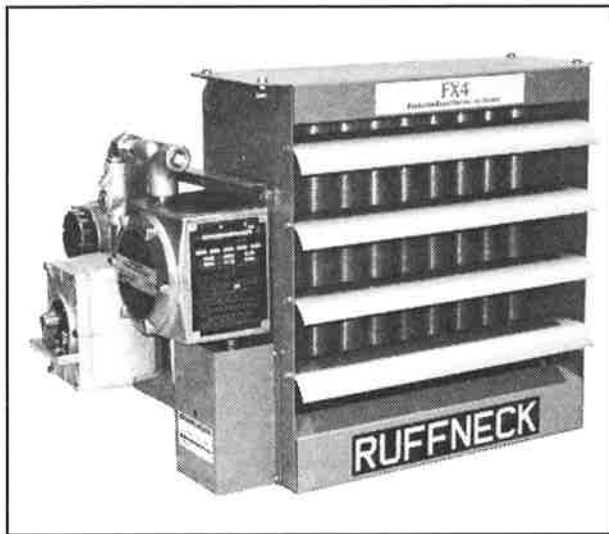
# RUFFNECK® Heaters



Guide d'utilisation

## FX4 Série

Aérothermes électriques d'air forcer pour endroits dangereux



Le présent guide comprend l'information relative à l'installation, à la maintenance, à la réparation et aux pièces de remplacement.

### ENDROITS APPROUVÉS

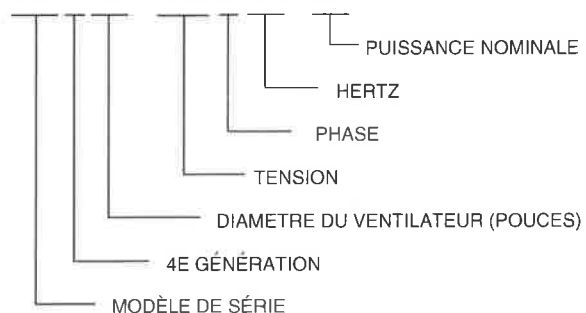
Les aérothermes électriques d'air forcer sont certifiés par le CSA et/ou homologués UL pour les endroits ci-dessous:

Classe I, Divisions 1 & 2, Groupes C & D;  
Classe II, Division 1, Groupes E, F, & G;  
Classe II, Division 2, Groupes F & G;  
Classe I, Zones 1 & 2, Groupes IIA & IIB;  
Code de température T3B 165°C (329°F);  
(modèles de 50 Hz et 60 Hz)

Pour avoir plus de détails sur les endroits dangereux avec risque d'explosion, consulter le Code canadien de l'électricité, première partie, section 18 ou le Code national de l'électricité, articles 500 - 516.

### CODAGE DU MODÈLE

**FX 4 20 - 480 3 60 - 35**



**AVERTISSEMENT**  
**LIRE TOUS LES AVIS IMPORTANTS DE LA PAGE 3.**



Part No 5031-10

Printed in Canada

RUFFNECK et Vacuore sont des marques de déposée  
Copyright© 1999 tout a droite réserver

# LISTE DE CONTRÔLE POUR LA MAINTENANCE DE L'AÉROTHERME D'Électronique D'Air Forcer

Photocopier  
cette page  
pour la  
réutiliser.

N<sup>o</sup>. Modèle D'Aérotherme: \_\_\_\_\_ N<sup>o</sup>. De Série: \_\_\_\_\_

Date De Maintenance: \_\_\_\_\_ Entretien Par: \_\_\_\_\_

Commentaires: \_\_\_\_\_

## AVERTISSEMENT

Débrancher la source d'alimentation ou à la débrancher intégré avant d'ouvrir les boîtiers ou d'en faire la maintenance. Bloquer le commutateur en position "OFF" (circuit ouvert) et/ou y mettre une étiquette afin d'éviter que l'appareil ne soit mis en marche par inadvertance. Si la débranche intégré être entretien, vérifiez le courant être débrancher à la source d'alimentation. Bloquer le commutateur en position "OFF" (circuit ouvert) et/ou y mettre une étiquette afin d'éviter que l'appareil ne soit mis en marche par inadvertance. L'installation et le câblage de l'aérotherme doivent être conformes à tous les codes en vigueur. L'entretien de cet aérotherme ne doit être fait que par du personnel expérimenté avec l'équipement de chauffage pour les endroits dangereux.

## PÉRIODIQUE (avant la saison froide et lorsque nécessaire au cours de la saison)

- |                    |   |                    |   |
|--------------------|---|--------------------|---|
| <b>1. NETTOYER</b> | <input type="checkbox"/> Tube à ailettes      | <b>2. VÉRIFIER</b> | <input type="checkbox"/> Si le moteur fonctionne bien   |
|                    | <input type="checkbox"/> Ventilateur          |                    | <input type="checkbox"/> Si l'angle des persiennes est bon et si elles tiennent bien en place |
|                    | <input type="checkbox"/> Grille de protection |                    | <input type="checkbox"/> Si tous les couvercles antidéflagrants sont bien vissés              |
|                    | <input type="checkbox"/> Moteur               |                    |   |
|                    | <input type="checkbox"/> Persiennes           |                    |   |

**Enlever la poussière à l'aide d'air comprimé. Ne pas vaporiser d'eau ou de solvants.  
Ne pas immerger dans l'eau ou les solvants.**

## ANNUELLE (avant la saison froide)

### 1. ÉLECTRIQUE

- Vérifier tous les conducteurs et les bornes de connexion.** Serrer les connexions lâches. Remplacer les conducteurs dont l'isolation est endommagée.
- Inspecter les contacts des contacteurs.** S'ils sont très corrodés, brûlés ou si la soudure est en mauvais état, les remplacer par des contacteurs fournis en usine.
- Vérifier les fusibles.** La capacité et le type du fusible sont indiqués sur la plaque à circuits imprimés. Le bon fusible doit se trouver dans le porte-fusible en service. On recommande de garder un fusible en bon état dans le porte-fusible de rechange.
- Vérifier tous les conduits antidéflagrants.** Remplacer les conduits endommagés. Tout les raccorder des conduit filets sont besion minimum de cinq tour fiancailles. Les conduit droit filets doivent dépasser d'au moins 1/16"(1.6mm) dans les boîtiers. Les raccordes diminuer doit être serrés à la main.
- Vérifier la résistance électrique de toutes les bornes du côté charge.** La lecture doit être la même ( $\pm 5\%$ ).

### 2. MÉCANIQUE

- Vérifier s'il y a des fuites de fluide.** Le faisceau de l'aérotherme est chargé à vide et contient de l'éthylèneglycol, lequel est **toxique**. S'il y a une fuite de fluide de l'aérotherme, débrancher ce dernier de la source d'alimentation et faire remplacer le faisceau. Un faisceau fourni en usine peut être expédié immédiatement à partir des stocks. Consulter la section "Réparation et remplacement" pour avoir plus de détails.
- Vérifier tous les boîtiers.** L'intérieur des boîtiers doit être propre, sec et exempt de corps étrangers. Les couvercles vissés doivent être bien poser et serrés à la main.  
**Nota:** Les joints des boîtiers sont métal sur métal. Ne pas utiliser de joints d'étanchéité ou de scellants. De la graisse est mise aux joints en usine et rester intact.
- Vérifier les roulements à billes de l'arbre moteur.** Remplacer le moteur s'il y a trop de jeu ou si le moteur ne fonctionne pas bien et silencieusement. Les roulements à billes du moteur sont lubrifiés de façon permanente.
- Vérifier le ventilateur.** Le remplacer aussitôt s'il est fissuré ou endommagé.
- Vérifier les persiennes.** Les vis des persiennes doivent être serrées. Les persiennes ne doivent pas être complètement fermées ou dépasser des butées.
- Vérifier si toutes les pièces sont bien serrées.** Tous les écrous et les boulons, y compris les pièces de support, doivent être bien serrés.
- Faire fonctionner l'aérotherme pendant au moins cinq minutes.** Vérifier si de l'air chaud sort par les persiennes. Il est normal d'entendre des bruits de craquement ou de cognement au démarrage.



Pour assistance, veuillez composer  
le numéro de la lignesans frais:  
1-800-661-8561 (24 hr) Canada et É.-U.

# AVIS IMPORTANT

## AVERTISSEMENT

Bien lire attentive les avis suivants et s'y conformer, sinon il y a risque de blessures graves ou même mortelles.

1. Lire les instructions du guide et les suivre.
2. N'utiliser l'aérotherme que dans des endroits où la température d'allumage est supérieure à la température nominale maximale de l'aérotherme, tel qu'indiqué sur la plaque signalétique. Se reporter aux codes électriques en vigueur pour avoir plus de renseignements.
3. N'utiliser l'aérotherme que dans les endroits dangereux qui sont indiqués sur la plaque signalétique de l'aérothermes.
4. L'aérotherme ne doit être utilisé qu'à l'intérieur, au sec. Ne pas immerger dans l'eau. Ne pas entreposer ou utiliser dans les endroits exposés à la pluie ou à la neige.
5. Seul un électricien qualifié et expérimenté avec l'équipement destiné aux endroits dangereux peut faire le raccordement et l'entretien de l'aérotherme.
6. Pour l'installation et le raccordement de l'aérotherme, il faut respecter tous les codes en vigueur.
7. Avant d'ouvrir un boîtier, débrancher l'aérotherme de sa source d'alimentation à la débrancher intégré. Bloquer le commutateur en position "OFF" (circuit ouvert) et/ou y mettre une étiquette afin d'éviter que l'appareil ne soit mis en marche par inadvertance. Si la débranche intégré être entretien, vérifiez le courant être débrancher à la source d'alimentation. Bloquer le commutateur en position "OFF" (circuit ouvert) et/ou y mettre une étiquette afin d'éviter que l'appareil ne soit mis en marche par inadvertance.
8. Cet aérotherme est muni d'un seul bimétal limiteur de température à maximum. Il est du type à réenclenchement automatique ce qui signifie que l'aérotherme peut se remettre en marche sans avertissement. Il ne faut pas faire fonctionner l'aérotherme lorsque le bimétal à maximum est hors service ou débranché du circuit de commande.
9. La pression de purger de la pression soulagement soupape être poser à l'usine. Ne pas jouer avec l'écrou serrure.
10. Ne faire fonctionner l'aérotherme que lorsqu'il est installé de façon permanente en position verticale. Consulter la section "Installation - mécanique" pour avoir plus de détails.
11. L'aérotherme doit toujours être propre. Lorsqu'il fonctionne dans un environnement où il y a beaucoup de saletés, nettoyer régulièrement les tubes à ailettes, le ventilateur et la grille de protection. Suivre les procédures de maintenance recommandées. Consulter la section "Liste de contrôle pour la maintenance de l'aérotherme" pour avoir plus de détails.
12. Le faisceau de l'aérotherme est chargé à vide et contient de l'éthylène glycol, lequel est **toxique**. S'il y a une fuite de fluide de l'aérotherme, le débrancher de sa source d'alimentation et remplacer le faisceau par un faisceau fourni en usine. Se reporter à la section "Réparation et remplacement" pour avoir plus de détails.
13. Ne pas faire fonctionner l'aérotherme si des persiennes sont complètement fermées ou dépassent des butées.
14. Ne pas faire fonctionner l'aérotherme dans des milieux où il y a risque de corrosion de l'acier ou de l'aluminium.
15. N'utiliser l'aérotherme dans température plus de 40°C (104°F).
16. N'utiliser que les pièces de remplacement approuvées en usine.
17. Se reporter aux codes électriques en vigueur relativement aux exigences des joints pour les conduits installés sur place. Des joints de conduits ne sont pas requis pour les conduits de l'aérotherme installés en usine.
18. Lors de la mise en marche de l'aérotherme, on peut entendre des bruits de cognement ou de craquement à l'intérieur du faisceau, ce qui est normal.
19. L'air qui sort près du bas de l'aérotherme peut être plus chaud que celui qui sort par le haut, ce qui est normal.
20. Si vous avez des questions en ce qui concerne l'aérotherme, communiquer avec le personnel de l'usine. Veuillez consulter la dernière page de ce guide pour avoir plus de renseignements.

**LA GARANTIE SERA ANNULÉE SI LES INSTRUCTIONS NE SONT PAS SUIVIES**

## INSTALLATION

Les instructions d'installation servent de directives générales pour l'installation et le câblage de l'aérotherme. Tous les codes en vigueur doivent être respectés.

## MÉCANIQUE

### POSITIONNEMENT

Pour un chauffage optimum, l'aérotherme doit être installé de manière:

1. qu'il n'y ait aucune obstruction empêchant l'arrivée ou la sortie d'air de l'aérotherme.
2. que la sortie d'air soit dirigée dans les espaces vastes et non vers les personnes.
3. que la sortie d'air ne soit pas dirigée sur un thermostat.
4. que la sortie d'air soit dirigée directement vers les endroits où il y a des pertes de chaleur, comme les portes ou les fenêtres (voir figure 1).
5. que la sortie d'air soit dirigée le long des murs extérieurs, avec un angle légèrement vers l'extérieur (voir figure 1).
6. que si on vise d'abord à protéger l'équipement contre le gel, la sortie d'air soit dirigée vers l'équipement.
7. que les courants de sortie d'air soient complémentaires et créent une circulation d'air. Il n'est pas nécessaire que la portée d'air de l'aérotherme se rende jusqu'à l'autre aérotherme (voir figure 1).

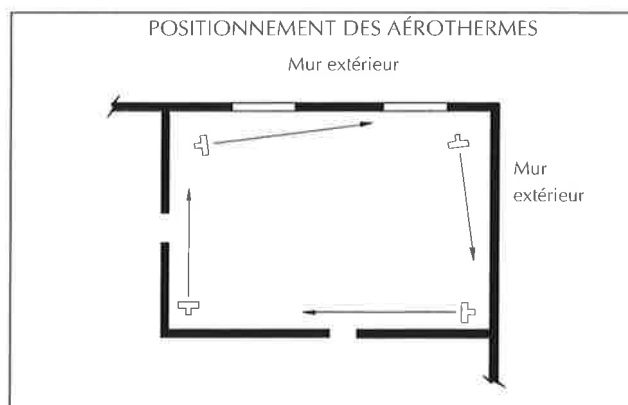


FIGURE 1

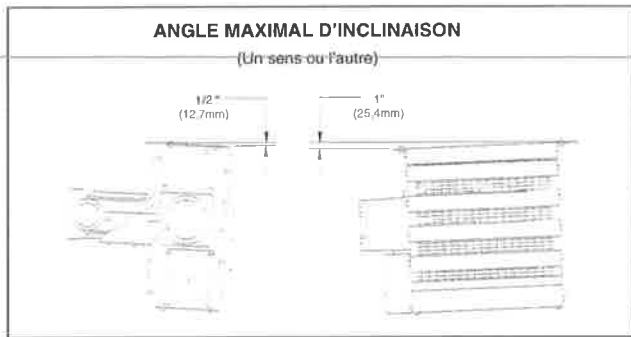


FIGURE 2

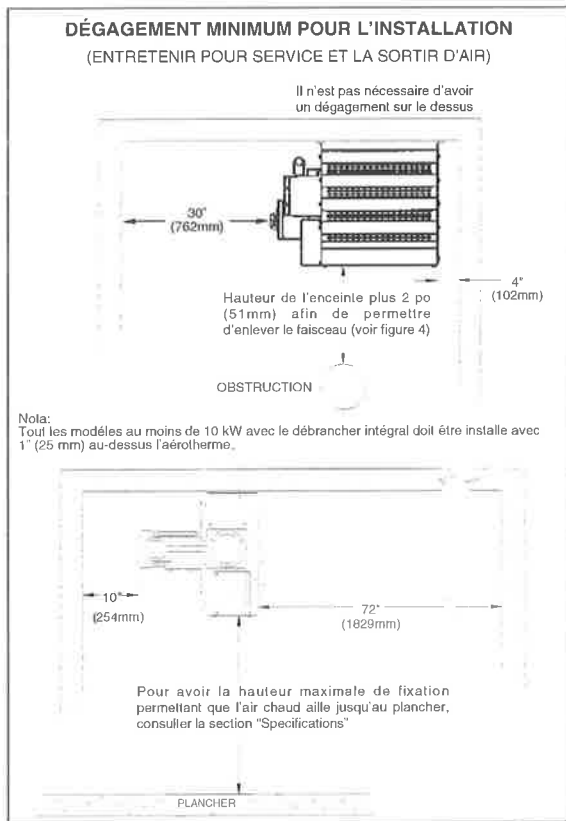


FIGURE 3

## MONTAGE

1. Pour le fonctionnement, l'aérotherme doit être installé de façon permanente en position verticale et de niveau. Voir les figures 2, 3 et 4 pour connaître l'angle d'inclinaison maximal, le dégagement maximal, ainsi que les dimensions.  
Afin de faciliter l'installation, on peut se procurer en usine divers types de nécessaires de montage.
2. La structure de montage doit être suffisamment forte pour:
  - a. supporter les poids de l'aérotherme; se reporter à la section "Specifications";
  - b. offrir suffisamment de rigidité pour éviter les vibrations excessives; et
  - c. résister aux situations difficiles comme les installations démontables.

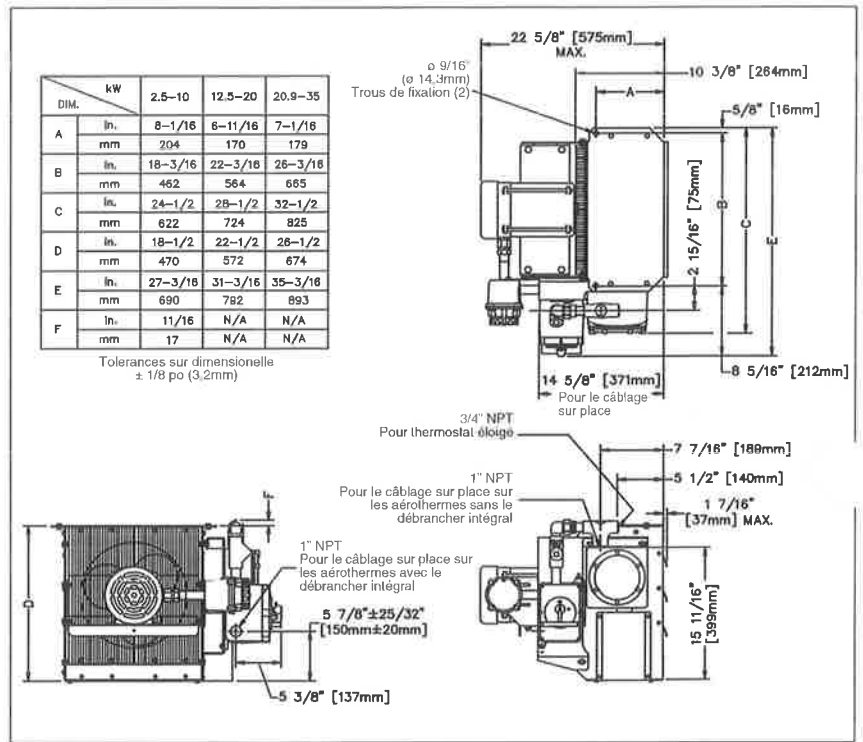


FIGURE 4

## ÉLECTRIQUE

### AVERTISSEMENT

Débrancher la source d'alimentation ou à la débrancher intégré avant d'ouvrir les boîtiers ou d'en faire la maintenance. Bloquer le commutateur en position "OFF" (circuit ouvert) et/ou y mettre une étiquette afin d'éviter que l'appareil ne soit mis en marche par inadvertance. Si la débrancher intégré être entretien, vérifie le courant être débrancher à la source d'alimentation. Bloquer le commutateur en position "OFF" (circuit ouvert) et/ou y mettre une étiquette afin d'éviter que l'appareil ne soit mis en marche par inadvertance. L'installation et le câblage de l'aérotherme doivent être conformes à tous les codes en vigueur.

### GÉNÉRALITÉS

1. Pour raccorder l'aérotherme, n'utiliser que des conducteurs de cuivre et des méthodes de câblage approuvées antidéflagration. Consulter le tableau "Données techniques" et la plaque signalétique de l'aérotherme pour connaître la valeur du conducteur.
2. Une protection externe de surintensité est requise. Consulter le tableau "Données techniques" et la plaque signalétique de l'aérotherme pour connaître la tension, la fréquence, l'ampérage et la phase. La tension d'alimentation doit être ±10% la tension indiquée sur la plaque signalétique.

### CÂBLAGE SUR PLACE

1. Les conducteurs d'alimentation, les conducteurs de mise à la masse et les conducteurs du thermostat d'ambiance (voir 2, page 5) passent dans le trou de 1 po NPT (voir figure 5) et sont raccordés dans le boîtier de commande (voir figure 6).

2. L'aérotherme peut être fourni avec un thermostat d'ambiance intégré (voir figure 7). Pour les aérothermes qui ne sont pas dotés de cette option, on recommande d'utiliser un thermostat d'ambiance à distance. Raccorder les conducteurs du thermostat d'ambiance à distance à la plaquette de connexions du circuit imprimé portant l'inscription "TSTAT". Tout thermostat utilisé avec cet aérotherme doit:
  - a) être du type antidéflagrant;
  - b) avoir une tension nominale d'au moins 125 V;
  - c) avoir une capacité minimale de 2 A; et
  - d) fonctionner avec ouverture de contact lorsqu'il y a une hausse de température.

On peut se procurer des thermostats d'ambiance pour les endroits dangereux appropriés en usine.

(suite à la page suivante)



3. L'aérotherme peut être fourni avec un débrancher intégral installé en usine. (Voir figure 6B). Câblage sur place pour le bébrancher intégral:
- Les conducteurs pour le courant et de terre sont passés dans le 1" NPT de la débrancher enclosure. (Voir Figure 6B) les conducteurs être fils à l'interrupteur sont dedans. Le conducteur de terre à la patte de mise à la masse attacher dedans enclosure débrancher.
  - Si applicable, les conducteurs de les thermostats éloigné sont passés dans le 3/4" NPT ouvert de le point et les fils sont attachés à la plaquette marque T STAT.
  - Pour réduire risque s'inflammer dans l'atmosphère dangereaux, les conduits sont besoin un adéquat sceau dans les limites de 18 pouce (457mm). Les conduits installé en usine ne pas besoin plus du sceau. Le débrancher intégral sont sceau à l'usine.

### INSPECTION FINALE

- Avant de mettre sous tension:
  - vérifier si toutes les connexions sont bien faites et correspondent au schéma de câblage applicable (voir figure 8) et aux codes en vigueur;
  - s'assurer que l'alimentation électrique soit compatible avec la puissance de l'aérotherme indiquée sur la plaque signalétique;
  - enlever tout corps étranger à l'intérieur de l'aérotherme,
  - installer tous les couvercles et vérifier si tous les boîtiers sont bien fermés et,
  - s'assurer que le ventilateur tourne librement. Voir la figure 5 pour connaître le sens de rotation des pales du ventilateur.

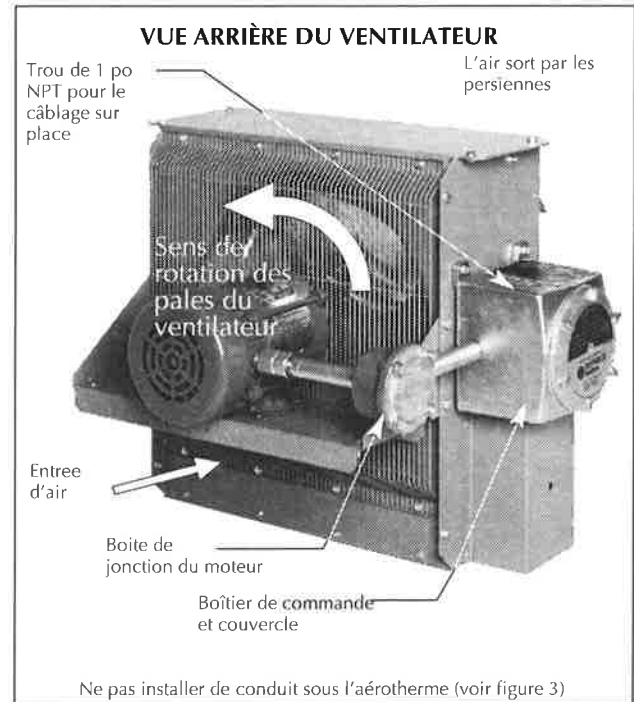


FIGURE 5

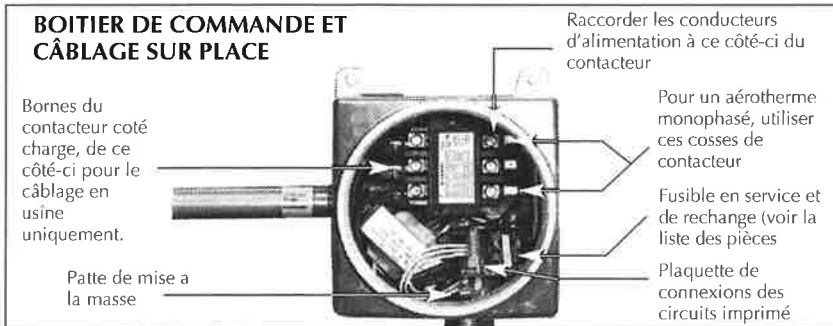


FIGURE 6

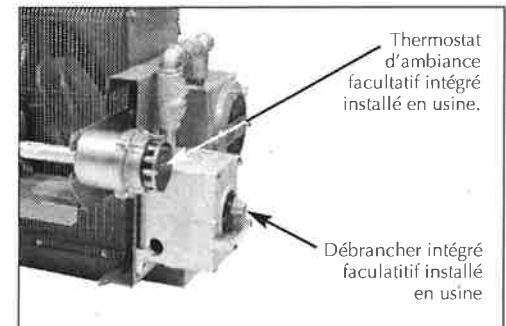


FIGURE 7

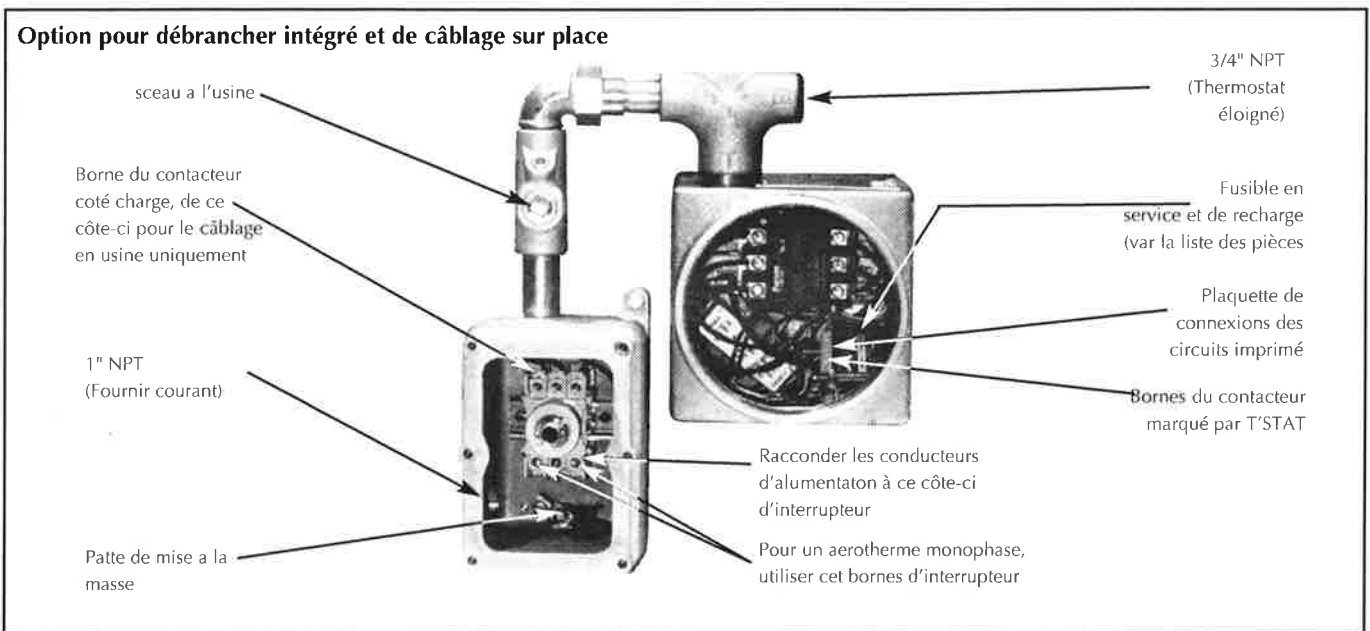


FIGURE 6B

## SCHEMAS DE CABLAGE

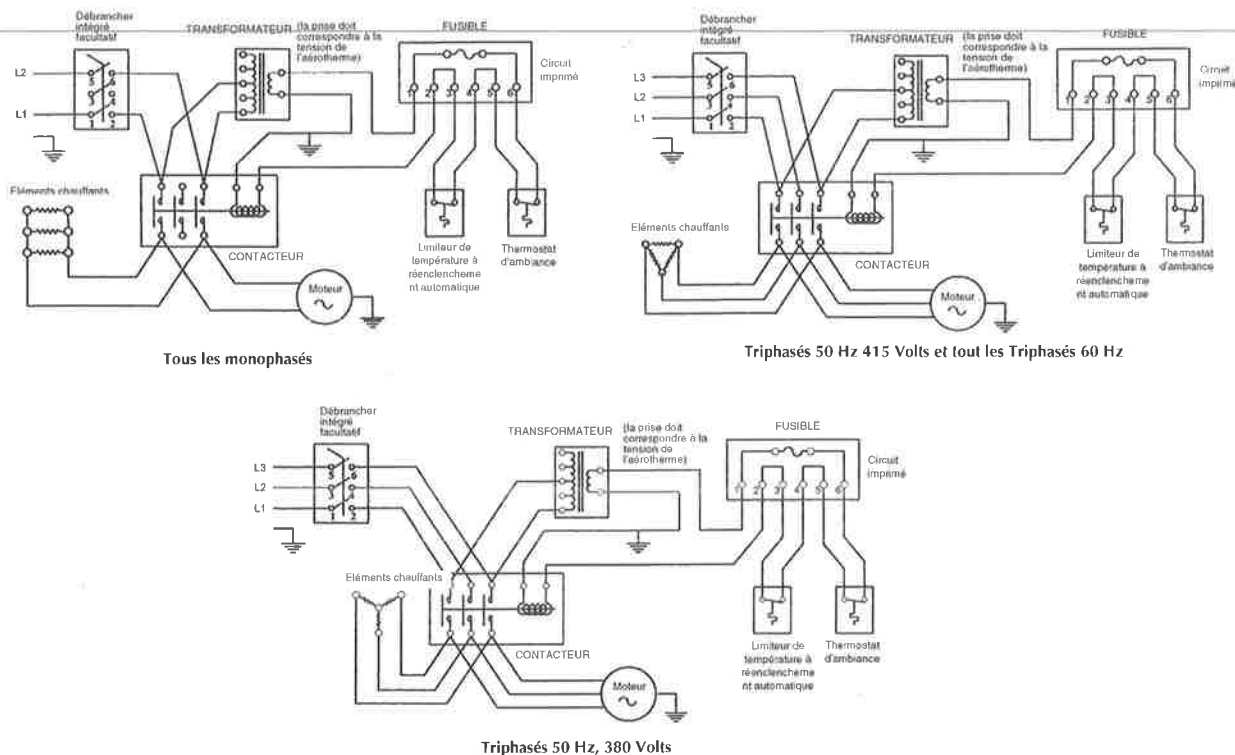


FIGURE 8



## DONNÉES TECHNIQUES POUR TOUS LES AÉROTHERMES FX4 ÉLECTRIQUES D'AIR FORCÉ POUR MODÈLES À 50 HERTZ

MODÈLE	NOTA	TENSION (V)	PUISSANCE NOMINALE (kW)	PHASE	COURANT DU MOTOR (A)	COURANT DES ELEMENTS (W)	COURANT TOTAL (A)	ADMISSIBLE MINIMAL DU CIRCUIT (A)	CALIBRE DES FILS D'ALIMENTATION (AWG)	AMPÉRAGE MAXIMAL DU FUSIBLE DU CIRCUIT (A)	HAUSSE DU TEMPÉRATURE		N° DE PIECE DU FAISCEAU	N° DE PIECE DU CONTACTEUR
											°F	°C		
FX412-220150-2.5	✓	220	2.5	1	2.0	2,270	11.4	14.3	14	15	19.7	11.0	4045	3618
FX412-220150-4.2	✓	220	4.2	1	2.0	3,950	19.1	23.9	10	25	33.2	18.4	4049	3618
FX412-220150-6.3	✓	220	6.3	1	2.0	6,050	28.6	35.8	8	40	28.4	15.8	4053	3618
FX412-220150-8.4	✓	220	8.4	1	2.0	8,140	38.2	47.8	6	50	37.9	21.1	4057	3619
FX416-220150-12.6	✓	220	12.6	1	2.0	12,100	57.3	71.6	4	80	27.5	15.3	4061	3619
FX412-380350-2.5	✓	380	2.5	3	0.7	2,260	3.8	4.8	14	15	19.7	11.0	4045	3618
FX412-380350-4.2	✓	380	4.2	3	0.7	3,930	6.4	8.0	14	15	33.2	18.4	4049	3618
FX412-380350-6.3	✓	380	6.3	3	0.7	6,020	9.6	12.0	14	15	28.4	15.8	4053	3618
FX412-380350-8.4	✓	380	8.4	3	0.7	8,100	12.8	16.0	12	20	37.9	21.1	4057	3618
FX416-380350-12.5	✓	380	12.5	3	0.7	12,030	19.0	23.8	10	25	27.2	15.1	4061	3618
FX416-380350-16.7	✓	380	16.7	3	0.7	16,220	25.4	31.8	8	35	36.4	20.2	4065	3618
FX420-380350-20.9	✓	380	20.9	3	1.0	20,230	31.8	39.8	8	40	22.0	12.2	4068	3618
FX412-415350-3.7	✓	415	3.7	3	0.7	3,510	5.1	6.4	14	15	29.2	16.2	4050	3618
FX412-415350-7.5	✓	415	7.5	3	0.7	7,240	10.4	13.0	14	15	33.9	18.8	4058	3618
FX416-415350-14.9	✓	415	14.9	3	0.7	14,510	20.7	25.9	10	30	32.5	18.0	4066	3618
FX420-415350-22.4	✓	415	22.4	3	1.0	21,820	31.2	39.0	8	40	23.6	13.1	4071	3618

**NOTES:**

1. Dimensions minimales du conducteur à 30°C (86°F) de température ambiante. Réduire la valeur nominale du contacteur à la température ambiante. Employer une isolation valable pour au moins 90°C (194°F).
2. L'aérothermes fonctionne de façon normale si, à la tension nominale, l'ampérage est +/- 10% la valeur indiquée au tableau ci-dessus.
3. Le fonctionnement à une tension moindre entraînera une moins grande production de chaleur, ainsi qu'un ampérage réduit.



# DONNÉES TECHNIQUES POUR TOUS LES AÉROTHERMES FX4 ÉLECTRIQUES D'AIR FORCER POUR MODÈLES À 60 HERTZ



MODÈLE	NOTA	DS4-48-L	TENSION	PUISSANCE NOMINALE	PHASE	COURANT DU MOTOR	COURANT DES ELEMENTS	COURANT TOTAL	ADMISSIBLE MINIMAL DU CIRCUIT	CALIBRE DES FILS D'ALIMENTATION	AMPÉRAGE MAXIMAL DU FUSIBLE DU CIRCUIT	HAUSSE DE TEMPÉRATURE		N° DE PIÈCE DU FAISCEAU	N° DE PIÈCE DU CONTACTEUR
			(V)	(KW)		(A)	(W)	(A)	(A)	(AWG)	(A)	°F	°C		
FX412-208160-3		✓	208	3	1	2.7	2,700	14.4	18.0	12	20	19.0	10.5	4044	3618
FX412-208360-3		✓	208	3	3	1.4	2,700	8.3	10.4	14	15	19.0	10.5	4044	3618
FX412-240160-3		✓	240	3	1	2.7	2,700	12.5	15.6	12	20	19.0	10.5	4045	3618
FX412-240360-3		✓	240	3	3	1.4	2,700	7.2	9.0	14	15	19.0	10.5	4045	3618
FX412-480160-3	*	✓	480	3	1	1.3	2,700	6.3	7.9	14	15	19.0	10.5	4046	3618
FX412-480360-3		✓	480	3	3	0.7	2,700	3.6	4.5	14	15	19.0	10.5	4046	3618
FX412-600360-3	*	✓	600	3	3	0.6	2,700	2.9	3.6	14	15	19.0	10.5	4047	3618
FX412-208160-5		✓	208	5	1	2.7	4,700	24.0	30.0	10	30	31.6	17.6	4048	3618
FX412-208360-5		✓	208	5	3	1.4	4,700	13.9	17.4	12	20	31.6	17.6	4048	3618
FX412-240160-5		✓	240	5	1	2.7	4,700	20.8	26.0	10	30	31.6	17.6	4049	3618
FX412-240360-5		✓	240	5	3	1.4	4,700	12.0	15.0	14	15	31.6	17.6	4049	3618
FX412-480160-5	*	✓	480	5	1	1.3	4,700	10.4	13.0	14	15	31.6	17.6	4050	3618
FX412-480360-5		✓	480	5	3	0.7	4,700	6.0	7.5	14	15	31.6	17.6	4050	3618
FX412-600360-5	*	✓	600	5	3	0.6	4,700	4.8	6.0	14	15	31.6	17.6	4051	3618
FX412-208160-7.5		✓	208	7.5	1	2.7	7,200	36.1	45.1	6	50	27.9	15.5	4052	3619
FX412-208360-7.5		✓	208	7.5	3	1.4	7,200	20.8	26.0	10	30	27.9	15.5	4052	3618
FX412-240160-7.5		✓	240	7.5	1	2.7	7,200	31.3	39.1	8	40	27.9	15.5	4053	3618
FX412-240360-7.5		✓	240	7.5	3	1.4	7,200	18.0	22.5	10	25	27.9	15.5	4053	3618
FX412-480160-7.5	*	✓	480	7.5	1	1.3	7,200	15.6	19.5	12	20	27.9	15.5	4054	3618
FX412-480360-7.5		✓	480	7.5	3	0.7	7,200	9.0	11.3	14	15	27.9	15.5	4054	3618
FX412-600360-7.5	*	✓	600	7.5	3	0.6	7,200	7.2	9.0	14	15	27.9	15.5	4055	3618
FX412-208160-10	**		208	10	1	2.7	9,690	48.1	60.1	4	70	37.2	20.6	4056	3619
FX412-208360-10		✓	208	10	3	1.4	9,690	27.8	34.8	8	35	37.2	20.6	4056	3618
FX412-240160-10		✓	240	10	1	2.7	9,690	41.7	52.1	6	60	37.2	20.6	4057	3619
FX412-240360-10		✓	240	10	3	1.4	9,690	24.1	30.1	8	35	37.2	20.6	4057	3618
FX412-480160-10	*	✓	480	10	1	1.3	9,690	20.8	26.0	10	30	37.2	20.6	4058	3618
FX412-480360-10		✓	480	10	3	0.7	9,690	12.0	15.0	14	15	37.2	20.6	4058	3618
FX412-600360-10	*	✓	600	10	3	0.6	9,690	9.6	12.0	14	15	37.2	20.6	4059	3618
FX416-208360-15		✓	208	15	3	1.4	14,400	41.6	52.0	6	60	27.1	15.0	4060	3619
FX416-240160-15	**		240	15	1	2.7	14,400	62.5	78.1	4	80	27.1	15.0	4061	3619
FX416-240360-15		✓	240	15	3	1.4	14,400	36.1	45.1	6	50	27.1	15.0	4061	3619
FX416-480160-15	*	✓	480	15	1	1.3	14,400	31.3	39.1	8	40	27.1	15.0	4062	3618
FX416-480360-15		✓	480	15	3	0.7	14,400	18.0	22.5	10	25	27.1	15.0	4062	3618
FX416-600360-15	*	✓	600	15	3	0.6	14,400	14.4	18.0	12	20	27.1	15.0	4063	3618
FX416-208360-20	**		208	20	3	1.4	19,410	55.5	69.4	4	70	36.1	20.1	4064	3619
FX416-240360-20	**		240	20	3	1.4	19,410	48.1	60.1	4	70	36.1	20.1	4065	3619
FX416-480160-20	*	✓	480	20	1	1.3	19,410	41.7	52.1	6	60	36.1	20.1	4066	3619
FX416-480360-20		✓	480	20	3	0.7	19,410	24.1	30.1	8	35	36.1	20.1	4066	3618
FX416-600360-20	*	✓	600	20	3	0.6	19,410	19.2	24.0	10	25	36.1	20.1	4067	3618
FX420-240360-25	**		240	25	3	2.0	24,210	60.1	75.1	4	80	21.9	12.2	4068	3619
FX420-480360-25		✓	480	25	3	1.0	24,210	30.1	37.6	8	40	21.9	12.2	4069	3618
FX420-600360-25	*	✓	600	25	3	0.8	24,210	24.1	30.1	8	35	21.9	12.2	4070	3618
FX420-480360-30		✓	480	30	3	1.0	29,190	36.1	45.1	6	50	26.3	14.6	4071	3619
FX420-600360-30	*	✓	600	30	3	0.8	29,190	28.9	36.1	8	40	26.3	14.6	4072	3618
FX420-480360-35		✓	480	35	3	1.0	34,200	42.1	52.6	6	60	28.0	15.6	4073	3619
FX420-600360-35	*	✓	600	35	3	0.8	34,200	33.7	42.1	8	45	28.0	15.6	4074	3619

\* - Certifiés pas le CSA seulement.

• - Excéder le 48 A limites de circuit du NEC 424-22

## NOTAS:

1. Dimensions minimales du conducteur à 30° C (86°F) de température ambiante. Réduire la valeur nominale du contacteur à la température ambiante. Employer une isolation valable pour au moins 90°C (194°F).
2. L'aérotherme fonctionne de façon normale si, à la tension nominale, l'ampérage est +/- 10% la valeur indiquée au tableau ci-dessus.
3. Le fonctionnement à une tension moindre entraînera une moins grande production de chaleur, ainsi qu'un ampérage réduit.

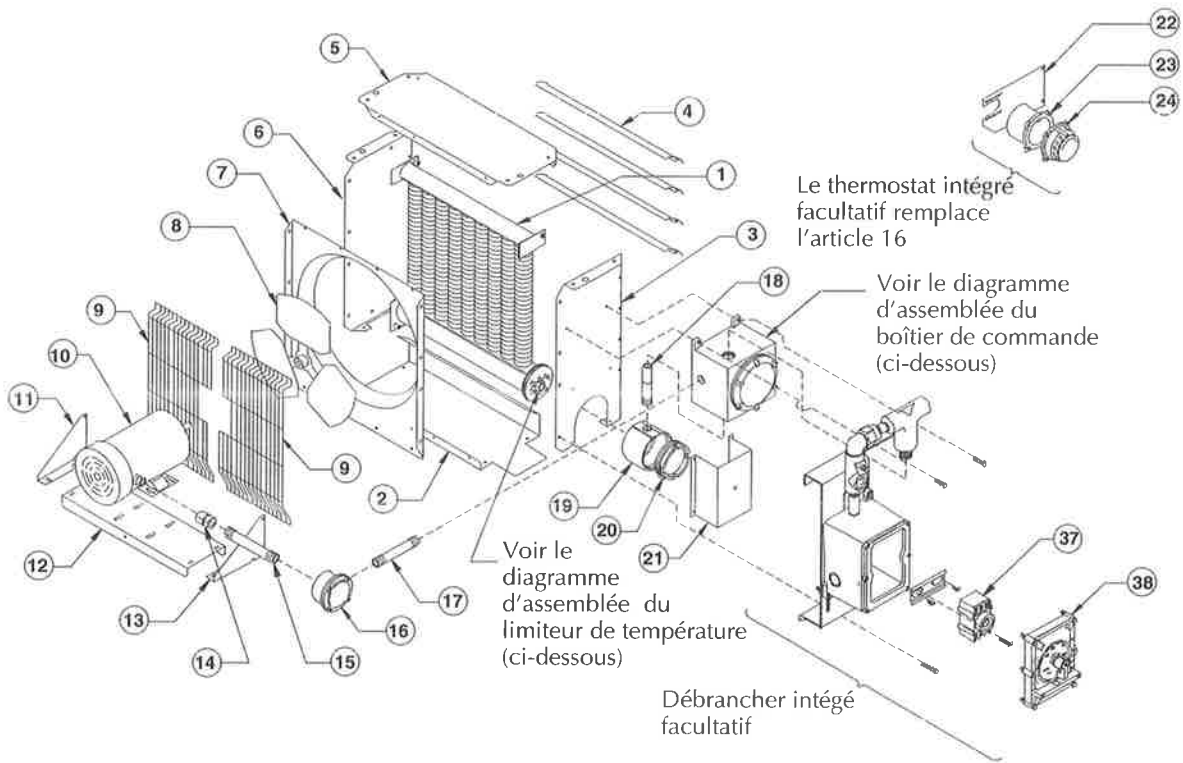
# — SPÉCIFICATIONS POUR TOUS LES MODÈLES DE 60 HZ —

		Puissance nominale								
		3	5	7.5	10	15	20	25	30	35
Altitude max,	(pi.) (m)	12,000 3,658	8,000 2,438	10,000 3,048	7,000 2,134	10,000 3,048	7,000 2,134	10,000 3,048	7,000 2,134	6,000 1,829
Débit de soufflage @ 70°F (PCM) @ 21°C (m <sup>3</sup> /hr.)		500 850	850 1444	1750 2973	3600 6116	3950 6711				
Portée d'air horizontale	(pi.) (m)	15 4.6	30 9.1	40 12.2	70 21.3					
Hauteur maximale (Pl) (le dessous)	(pi.) (m)	7 2.1	10 3.0	10 3.0	20 6.1					
Puissance du moteur	(HP) (kW)	1/4 0.187			1/4 0.187		1/2 0.373			
Diamètre du ventilateur	(po) (mm)	12 305			16 406		20 508			
Poids net	(lbs.) (kg)	111 50			133 61		154 70			
Poids net avec DS4-48-L	(lbs.) (kg)	125 57			147 67		168 76			
Poids d'expédition	(lbs.) (kg)	151 69			173 79		204 93			
Poids d'expédition avec DS4-48-L	(lbs.) (kg)	165 75			187 85		218 99			
Boîtiers	NEMA Type 7 & 9. <b>Uniquement</b> pour utilisation à l'intérieur, au sec. Ne pas immerger dans l'eau. Ne pas entreposer ou utiliser dans des endroits exposés à la pluie ou à la neige.									
Type de moteur	Antidéflagrant. À protection thermique. Roulements à billes à lubrification permanente. 1725tr/mn									
Ventilateur	Pales d'aluminium. Grillage en acier et moyeu avec alésage de 5/8 po (15,875 mm).									
Grille de protection	Séparable, à faible écartement entre les broches; impossible d'y faire passer un objet de 1/4 po (6.3 mm) de diamètre.									
Trous de montage	2 trous de 9/16 po (14.3 mm) de diamètre sur le dessus de l'aérotherme.									
Éléments chauffants	3 éléments à gaine de métal de haut calibre, à faible puissance, à durée de vie prolongée.									
Limiteur de température à maximum	Du type à réenclenchement automatique, avec bimétal à rupture, à ouverture de contact lorsqu'il y a hausse de température. Évalué à 100,000 cycles à 10 A, tolère 0, 128 A.									
Circuit de commande	120 Volts, 0.128 A, 15VA. (mis à la masse).									
Thermostat intégré facultatif	Antidéflagrant. 36°F à 82°F (2°C à 28°C)									
Transformateur de commande	À sorties multiples, primaire 120 Volts, secondaire 25 VA.									
Contacteur	40 ou 75 A. Calculé pour 500,000 opérations mécaniques. Bobine de 120 Volts, 15-VA (à protection par fusible séparée).									
Fluide de transfert de chaleur	Mélange d'éthylèneglycol et eau formulé pour une durée de vie prolongée, protection contre le gel jusqu'à -49°F (-45°C) min.									
Boîtier	En acier de calibre 14 (0.075 po) (1.90 mm). À revêtement d'époxyde avec prétraitement en cinq étapes, y compris au phosphate de fer.									
Faisceau	En acier avec ailettes complètement en aluminium, chargé à vide et scellé hermétiquement.									
Matériel du conduit	À paroi épaisse en acier de 0.122 po (3.1 mm) à revêtement de cadmium.									
Protection contre surpressions	Determiné à 100 PSI (690kpa) pression soulagement soudade, corps aluminium, aucun pièce de terrain de service									
Code de température	T3B 165°C (329°F) Classes I & II.									
Limites de température	-49°F à 104°F (-45°C à 40°C).									
Limites d'entreposage	-49°F à 176°F (-45°C à 80°C), courte durée jusqu'à 248°F (120°C). Ne pas entreposer ou utiliser dans des endroits exposés à la pluie ou à la neige. Ne pas immerger dans l'eau.									
Débrancher intégré facultatif	Cet DS4-48-L et pour utilisation sur l'aérotherme pas avec plus du 48 AMPS. La barre laisser dehors accepter 1/4" à 7/16" diamètre enclos enchaîner.									

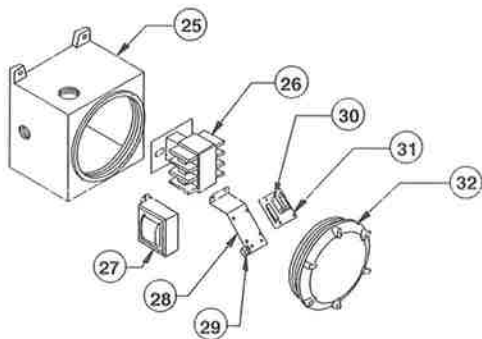
# — SPÉCIFICATIONS POUR TOUS LES MODÈLES DE 50 HZ —

Puissance nominale		2.5	3.7&4.2	6.3&7.5	8.4	12.5&12.6	14.9&16.7	20.9	22.4
Altitude max. (pi.) (m)		12,000 3,658	8,000 2,438	10,000 3,048	7,000 2,134	10,000 3,048	7,000 2,134	10,000 3,048	7,000 2,134
Débit de soufflage @ 70°F (PÇM) @ 21°C (m/hr.)		400 679		700 1189		1450 2463		3600 5096	
Portée d'air horizontale (pi.) (m)		13 4.0		25 7.6		35 10.7		60 18.2	
Hauteur maximale (Pl) (le dessous) (pi.) (m)		7 2.1		10 3.0		10 3.0		20 6.1	
Puissance du moteur (HP) (kW)			1/4 0.187			1/4 0.187		1/2 0.373	
Diamètre du ventilateur (po) (mm)			12 305			16 406		20 508	
Poids net (lbs.) (kg)			111 50			133 61		154 70	
Poids net avec DS4-48-L (lbs.) (kg)			125 57			147 67		168 76	
Poids d'expédition (lbs.) (kg)			151 69			173 79		204 93	
Poids d'expédition avec DS4-48-L (lbs.) (kg)			165 75			187 85		218 99	
Boîtiers	NEMA Type 7 & 9. <b>Uniquement</b> pour utilisation à l'intérieur, au sec. Ne pas immerger dans l'eau. Ne pas entreposer ou utiliser dans des endroits exposés à la pluie ou à la neige.								
Type de moteur	Antidéflagrant. À protection thermique. Roulements à billes à lubrification permanente. 1425tr/mn								
Ventilateur	Pales d'aluminium. Grillage en acier et moyeu avec alésage de 5/8 po (15,875 mm).								
Grille de protection	Séparable, à faible écartement entre les broches; impossible d'y faire passer un objet de 1/4 po (6.3 mm) de diamètre.								
Trous de montage	2 trous de 9/16 po (14.3 mm) de diamètre sur le dessus de l'aérotherme.								
Éléments chauffants	3 éléments à gaine de métal de haut calibre, à faible puissance, à durée de vie prolongée.								
Limiteur de température à maximum	Du type à réenclenchement automatique, avec bimétal à rupture, à ouverture de contact lorsqu'il y a hausse de température. Évalué à 100,000 cycles à 10 A, tolère 0, 130 A.								
Circuit de commande	115 Volts, 0.130 A, 15VA. (mis à la masse).								
Thermostat intégré facultatif	Antidéflagrant. 36°F à 82°F (2°C à 28°C)								
Transformateur de commande	À sorties multiples, primaire 115 Volts, secondaire 25 VA.								
Contacteur	40 ou 75 A. Calculé pour 500,000 opérations mécaniques. Bobine de 120 Volts, 15 VA (à protection par fusible séparée).								
Fluide de transfert de chaleur	Mélange d'éthylène-glycol et eau formulé pour une durée de vie prolongée, protection contre le gel jusqu'à -49°F (-45°C) min.								
Boîtier	En acier de calibre 14 (0.075 po) (1.90 mm). À revêtement d'époxyde avec prétraitement en cinq étapes, y compris au phosphate de fer.								
Faisceau	En acier avec ailettes complètement en aluminium, chargé à vide et scellé hermétiquement.								
Matériel du conduit	À paroi épaisse en acier de 0.122 po (3.1 mm) à revêtement de cadmium.								
Protection contre surpressions	Determiné à 100 PSI (690kpa) pression soulagement soudée, corps aluminium, aucun pièce de terrain de service								
Code de température	T3B 165°C (329°F) Classes I & II.								
Limites de température	-49°F à 104°F (-45°C à 40°C).								
Limites d'entreposage	-49°F à 176°F (-45°C à 80°C), courte durée jusqu'à 248°F (120°C). Ne pas entreposer ou utiliser dans des endroits exposés à la pluie ou à la neige. Ne pas immerger dans l'eau.								
Débrancher intégré facultatif	Cet DS4-48-L et pour utilisation sur l'aérotherme pas avec plus du 48 AMPS. La barre laisser dehors accepter 1/4" à 7/16" diamètre enclos enchaîner.								

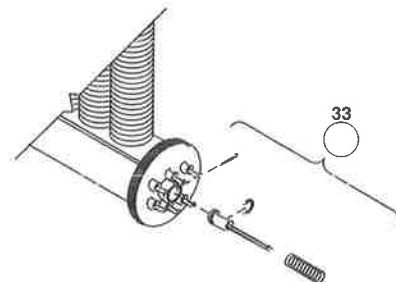
# DIAGRAMME D'ASSEMBLÉE D'AÉROTHERMES



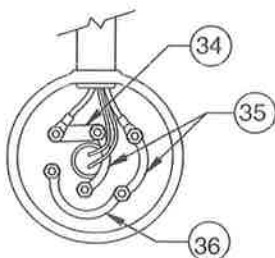
## BOÎTIER DE COMMANDE DIAGRAM D'ASSEMBLÉE



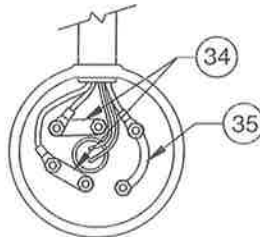
## LIMITEUR DE TEMPÉRATURE DIAGRAM D'ASSEMBLÉE



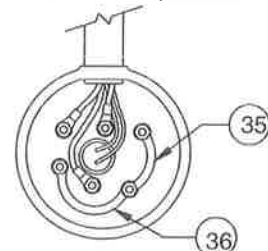
### CONFIGURATION DE LA BARRE OMNIBUS TOUS LES MONOPHASÉS MODÉLES



### CONFIGURATION DE LA BARRE OMNIBUS TOUS LES TRIPHASÉS MODÉLES (SAUF 380 VOLTS, 50 HERTZ)



### CONFIGURATION DE LA BARRE OMNIBUS TRIPHASÉS, 380 VOLTS, 50 HERTZ MODÉLES UNIQUEMENT



# LISTE DES PIÈCES

## AÉROTHERMES ÉLECTRIQUES D'AIR FORCER

NUMÉRO DE PIÈCE				Veuillez avoir le numéro de modèle et de série avant de téléphoner.
ARTICLE	2.5 - 10 kW	12.5 - 20 kW	20.9 - 35 kW	DESCRIPTION
1	**	**	**	Faisceau
2	3773	3774	3775	Panneau, dessous
3	3776	3777	3778	Panneau, côté gauche
4	4075	4076	4077	Persiennes (vis incluses)
5	3770	3771	3772	Panneau, dessus
6	3779	3780	3781	Panneau, côté droit
7	3782	3783	3784	Tuyère de ventilateur
8	2.5 - 5 kW: 4022 6.3 - 10 kW: 4023	12.5 - 20 kW: 4024	20.9-30 kW: 4025 35 kW: 4026	Ventilateur
9	4078	4079	4080	Grille de protection
10	208/240V 60 HZ 1 PH: 220V 50 HZ 1 PH: 480V 60 HZ 1 PH: 208/240/480V 60HZ 3PH: 380/415V 50 HZ 3 PH: 600V 60HZ 3 PH:	1377 1377 2396 1862 1862 1861	240/480V 60 HZ 3 PH: 1699 380/415V 50 HZ 3 PH: 1699 600V 60 HZ 3 PH: 2433	Moteur (antidéflagrant)
11	3789	3789	3789	Support de fixation du moteur, droit
12	3785	3786	3787	Profilé en U, support du moteur
13	3788	3788	3788	Support de fixation du moteur, gauche
14	3737	3737	3737	Raccord du moteur
15	3811	3812	3813	Conduit du moteur
16	3838	3838	3838	Boîtier, jonction des conduits
17	208/240V 60 HZ 1PH: 220V 50 HZ 1PH: 480V 60 HZ 1PH: TOUS 3PH:	3815 3815 3813 3814	3813	Conduit du boîtier de commande
18	3810	3810	3810	Conduit du boîtier d'éléments
19	3793	3793	3793	Boîtier, éléments chauffants
20	3510	3510	3510	Couvercle, boîtier des éléments
21	3790	3790	3790	Panneau de protection, boîtier des éléments
22	3791	3791	3791	Support du thermostat
23	4983	4983	4983	Boîtier du thermostat
24	5032	5032	5032	Thermostat intégré
25	3524	3525	3526	Boîtier du commande
26	**	**	**	Contacteur
27	60 HERTZ: 3612		50 HERTZ: 4416	Transformateur
28	3809	3809	3809	Support de carte à circuits imprimés
29	1876	1876	1876	Cosse à vis, calibre 6-14
30	3519	3519	3519	Fusible, Buss MDQ - 1/4 A
31	3514	3514	3514	Carte à circuits imprimés
32	3516	3516	3516	Couvercle du boîtier de commande
33	4082	4082	4082	Limiteur de température à maximum
34	3816	3816	3816	Barre omnibus, droite
35	3817	3817	3817	Barre omnibus, petite, courbée
36	3818	3818	3818	Barre omnibus, grande, courbée
37	6471	6471	6471	Débranche, Rotatif
38	6709	6709	6709	Trousse, Couverture DS4

\*\* Pour connaître les numéros de pièces, consulter le tableau des données techniques. NOTA: Pour les articles qui ne sont pas illustrés, communiquer avec le personnel de l'usine.

# RÉPARATION ET REMPLACEMENT

## AVERTISSEMENT

Débrancher la source d'alimentation de l'aérotherme avant d'ouvrir les boîtiers ou d'en faire la maintenance. Bloquer le commutateur en position "OFF" (circuit ouvert) et/ou y mettre une étiquette afin d'éviter que l'appareil ne soit mis en marche par inadvertance. Si la débranche intégré être entretien, vérifiez le courant être débrancher à la source d'alimentation. Bloquer le commutateur en position "OFF" (circuit ouvert) et/ou y mettre une étiquette afin d'éviter que l'appareil ne soit mis en marche par inadvertance. L'aérotherme peut être chaud.

1. Après avoir réparé un composant:
  - a. Vérifier si les connexions électriques sont bien faites et serrées (voir figure 8);
  - b. retirer tout corps étranger à l'intérieur des boîtiers;
  - c. installer et bien fixer en place tous les couvercles;
  - d. s'assurer que toutes les attaches soient bien serrées;
  - e. retirer tous les corps étrangers à l'intérieur de l'aérotherme; et
  - f. s'assurer que l'air sorte par les persiennes et que les pales du ventilateur tournent dans le sens contraire des aiguilles d'une montre lorsqu'on regarde à l'arrière de l'aérotherme (voir figure 13).

## FAISCEAU

Le faisceau de l'aérotherme est chargé à vide et ne peut être réparé sur place. Pour retirer le faisceau:

1. Enlever le bas de l'unité et le couvercle du boîtier.
2. Débrancher tous les fils qui pénètrent dans le boîtier des éléments (voir figure 9).
3. Desserrer légèrement tous les boulons de l'unité, tel qu'illustré à la figure 9, afin d'éviter que le faisceau plie.
4. Avec l'aide d'une autre personne qui soutient le faisceau, enlever les trois boulons de fixation du faisceau. Retirer délicatement le faisceau de l'enceinte par le bas (voir figure 10).
5. Retourner le faisceau à l'usine en utilisant la boîte fournie avec le faisceau de rechange afin de protéger les bornes des éléments et les fils de la plaque.
6. Pour remettre en place, soulever le faisceau jusque dans l'unité pendant qu'une autre personne fait passer les fils dans le trou du boîtier destinés à cet usage.
7. Place le faisceau et serrer les trois boulons de fixation, Serrer les autres boulons de l'unité.

## LIMITEUR DE TEMPÉRATURE À MAXIMUM

1. Retirer l'ensemble limiteur de température à maximum et nettoyer l'intérieur de la sonde thermométrique (voir figure 11) afin d'assurer un bon contact thermique.
2. N'utiliser qu'un limiteur de température à maximum fourni en usine afin d'assurer un fonctionnement sûr.
3. Mettre une petite goutte de 3/32 po (2 mm) de diamètre de graisse thermoconductrice au centre du capuchon de métal, mais sans l'étendre. Cela est important afin d'assurer un bon contact thermique entre le limiteur de température à maximum et la sonde thermométrique (voir figure 11).
4. Remettre en place l'ensemble limiteur de température à maximum, en mettant le clip et le ressort dans la sonde thermométrique sans endommager le tube isolant. Fixer en place à l'aide de la goupille fendue (voir figure 12).

## MOTEUR, VENTILATEUR ET GRILLE DE PROTECTION

1. Enlever les boulons qui fixent la moteur au support du moteur. Pour les modèles avec thermostat intégré, enlever les boulons à l'arrière du boîtier du thermostat.
2. Enlever le conduit n° 1 situé entre la boîte de jonction du moteur et le boîtier de commande en tournant dans le sens indiqué à la figure 13. Prendre note que les conduits no. 1 et no.2 ne sont pas interchangeables et ont un filetage à gauche à une extrémité, cette dernière étant indiquée par une rainure usinée.
3. Enlever les deux parties de l'ensemble grille de protection (voir figure 14).
4. Soulever l'ensemble moteur du support moteur.
5. Avant d'enlever le ventilateur, mesurer et prendre note de l'emplacement du moyeu du ventilateur sur l'arbre moteur (voir figure 15). S'il est difficile à enlever, utiliser un arrache-pignons sur le moyeu du ventilateur.
6. Pour remettre en place, mettre l'ensemble moteur sur le support moteur et fixer la grille de protection au boîtier.
7. En même temps, insérer et serrer chaque extrémité du conduit no. 1 dans les boîtiers. Laisser un espace de 1/16 po à 3/16 po (1,6mm à 4,8 mm) entre le moteur et la grille de protection (voir figure 16). Ajuster le conduit no. 2 de manière à centrer le ventilateur dans la tuyère.

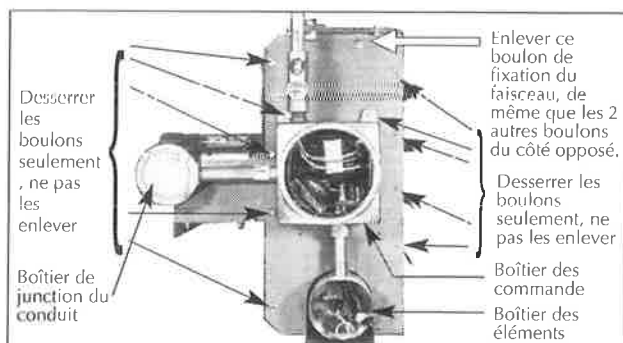


FIGURE 9

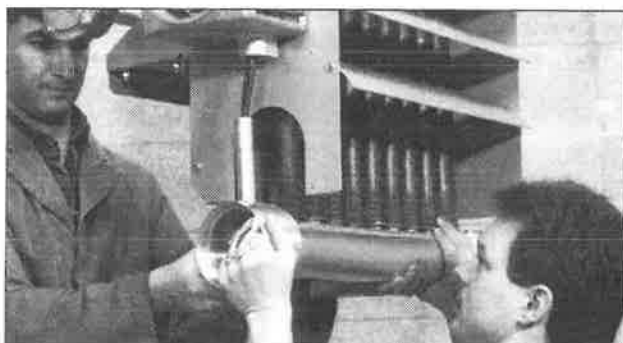


FIGURE 10

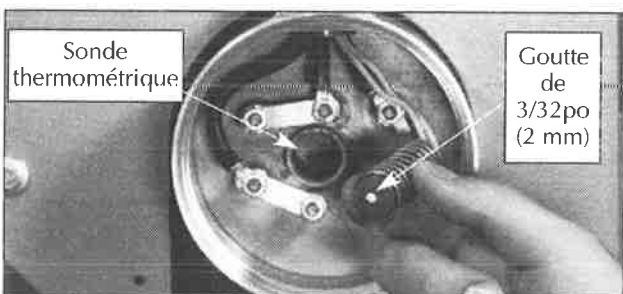


FIGURE 11

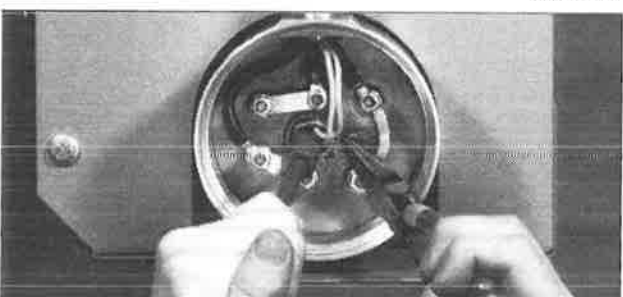


FIGURE 12

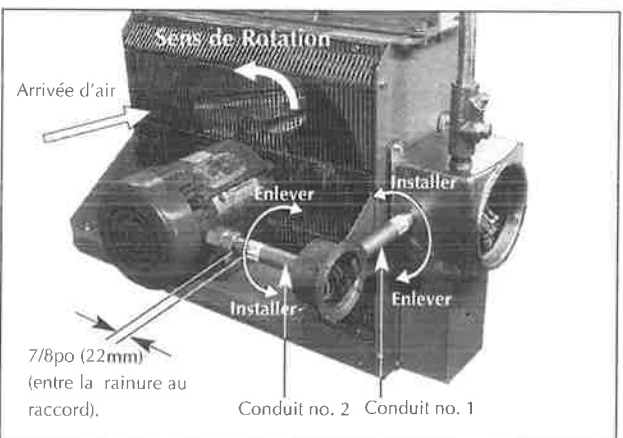


FIGURE 13



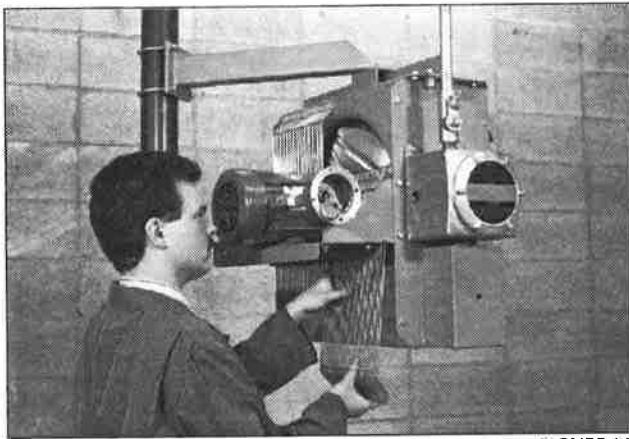


FIGURE 14

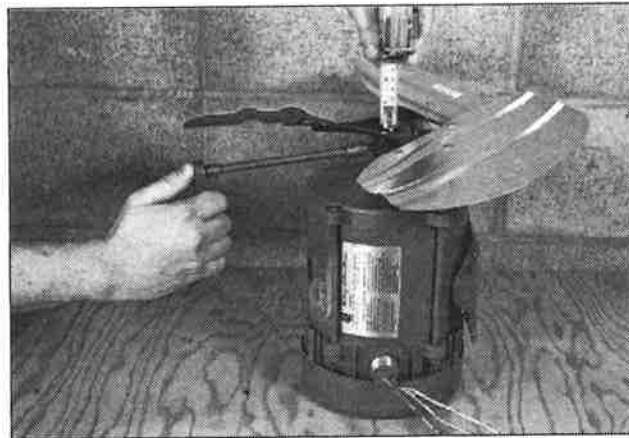


FIGURE 15



FIGURE 16

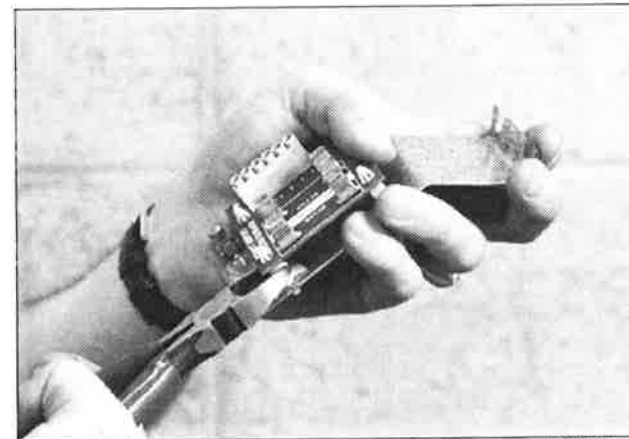


FIGURE 17

8. Afin d'avoir au moins 5 tours de vissés, les extrémités vissées des conduits doivent dépasser d'au moins 1/16 po (1,6 mm) dans les boîtiers. La rainure du conduit no. 2 ne doit pas dépasser de plus de 7/8 po (22 mm) du raccord du moteur (voir figure 13).
9. Boulonner le moteur au support moteur. Faire tourner à la main les pales du ventilateur afin de s'assurer qu'elles tournent librement.
10. L'air doit sortir par les persiennes et les pales du ventilateur doivent tourner dans le sens contraire des aiguilles d'une montre lorsqu'on regarde par l'arrière de l'aérotherme (voir figure 13).

## CARTE À CIRCUITS IMPRIMÉ

1. Après avoir retiré l'ensemble support de la carte à circuits imprimés du boîtier de commande, dégager la carte à circuits imprimés du support en coupant les entretoises de plastique (voir figure 17).
2. Remettre un nouveau du fourmieu usine carte à circuits imprimés en place sur le support de montage à l'aide de nouvelles entretoises non conductrices de la même longueur. Les entretoises sont fournies avec une nouvelle carte à circuit imprimés. Remettre en place le fil de mise à la masse du circuit de commande sur le support de la carte à circuits imprimés (voir figure 8).

## CONTACTEUR

1. Desserrer, mais ne pas enlever, les vis de fixation du contacteur. Glisser le contacteur des vis de fixation.
2. Remplacer par un contacteur fourni en usine ayant la même valeur.

## TRANSFORMATEUR

1. Remplacer par un transformateur de la même valeur fourni en usine.
2. Sur le nouveau transformateur, repérer les fils primaires de manière qu'ils correspondent à la tension de l'aérotherme. S'assurer que le bon conducteur secondaire du transformateur soit mis à la masse (voir figure 8) Faire des terminaisons pour chacun des fils inutilisés à l'aide de connecteurs à bout fermé.

## FUSIBLE

Remplacer le fusible par un autre du même type et de la même valeur, tel qu'indiqué sur la carte à circuits imprimés, ou consulter la liste des pièces. Un fusible de rechange devrait être mis dans le porte-fusible indentifié "SPARE".

## ÉLÉMENTS CHAUFFANTS

Les éléments chauffants font partie intégrale du faisceau chargé à vide. Un faisceau de rechange fourni en usine peut être livré immédiatement à partir des stocks. Consulter la section "Faisceau" pour avoir plus de détails.

## PANNEAUX DE L'ARMOIRE

On peut remplacer chacun des panneaux d'armoire à boulonner.

## DÉBRANCHER INTÉGRÉ ROTATIF

1. Débrancher la source d'alimentation à le control principal avant a'ouvrir le boîtier. Fermer le bouton en position "OFF" et mettre une étiquette afin d'éviter que l'appareil ne soit mis en marche par inadvertance.
2. Centre le débrancher d'usine le long de DIN et bien fermer le bond gauche utiliser les vis et se bloquer préexister. (Voir Figure 18)
3. Rengréner la source d'alimentation. Verifé d'nir entrer dans le faisceau et traverse dans la grille de protection et sorties pars les tuyeres.

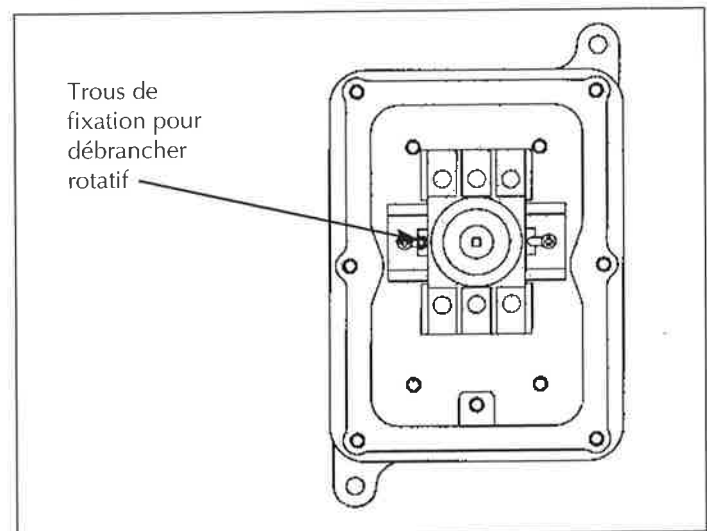


FIGURE 18



2827 Sunridge Blvd. N.E.  
Calgary, Alberta  
Canada T1Y 6G1

Ph: (403) 291-5488  
Fax: (403) 291-7042  
service@ruffneck.com  
www.ruffneck.com



### S'IL VOUS PLAÎT S'ACCROCHER À LA MODE D'EMPLOI PUBLIER DANS CETTE MANUAL.

Dans le cas contraire, cela peut être dangereux et risque d'annuler certaines clauses de la garantie.

Pour assistance supplémentaire s'il vous plaît appeler:

ligne sans frais: **1-800-661-8561**  
(É.U. et Canada)

Lorsque vous appelez, veuillez avoir à portée de la main les numéros de modèle et de série.



## GARANTIE LIMITÉE DE 3 ANS

Tout les aérothermes électriques d'air forcer pour endroits dangereux être garantit contre les défauts matériels et de fabrication pour une période de trois (3) ans à compter de la date d'achat, comme suit:

1. Nous fournirons les pièces de remplacement sans frais, si nécessaire, afin de remettre tout appareil en état de fonctionnement normal à condition que les pièces défectueuses nous soient retournées fret payé d'avance et que les pièces de remplacement soient acceptées port dû.
2. L'aérotherme complet peut être retourné à notre usine en vue d'être réparé ou remplacé, à notre choix, à condition que tous les frais d'expédition reliés soient assumés par le client.
3. La corrosion et la contamination dues à la saleté, à la poussière, etc. ne seront pas considérées comme des défauts et, par conséquent, ne sont pas couverts par la présente garantie.
4. L'aérotherme ne doit être modifié d'aucune façon.
5. L'aérotherme doit être installé et utilisé uniquement selon l'information affichée ou indiquée dans le guide d'utilisation.

La présente garantie se limite à l'équipement courant concerné et, en aucun cas, ne s'étend ou n'inclut les coûts d'installation ou de retrait, ou tous dommages ou pertes encourus.