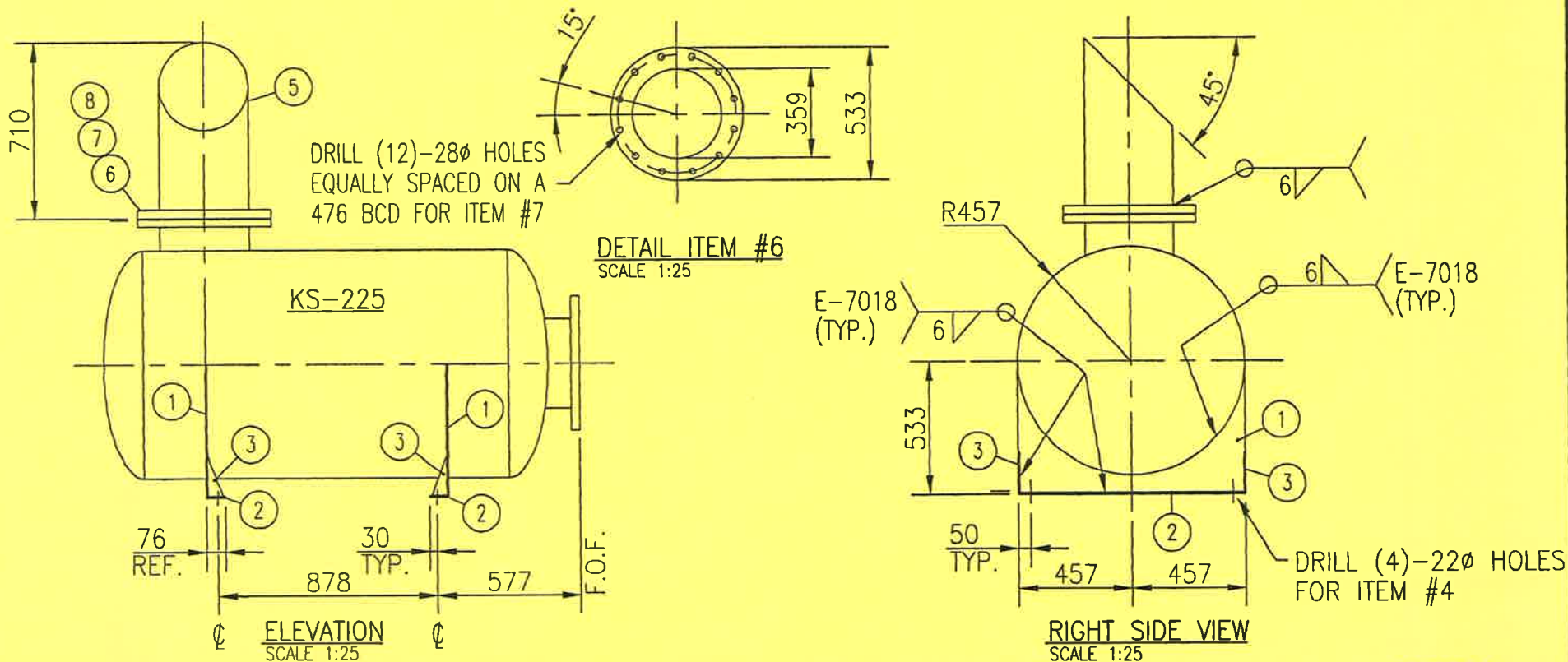


DATE: 2000.05.24 1:05pm FILE NAME: j:\jobs99\DWG\99404\Comp\SKD\SPT-99404-114-01.dwg

BILL OF MATERIAL

ITEM	QUA	DESCRIPTION	
1	2	PLATE: 6 THK. x 527 WD. x 914 LG. (CTS)	SA-36
2	2	FLAT BAR: 6 THK. x 76 WD. x 914 LG.	SA-36
3	2	PLATE: 6 THK. x 60 WD. x 160 LG. (ONE MAKES TWO)	SA-36
4	4	BOLTS: 19 ϕ x 50 LG. c/w (1) HEXNUT & WASHER EACH (ZINC COATED)	SA-325
5	1	PIPE: 356 O/D x 9.53 W.T. x 710 LG.	ERW SA-53-B (MIN)
6	1	PLATE FLANGE: 13 THK. x 533 O/D x 359 I/D (SEE DETAIL)	SA-36
7	12	BOLTS: 25 ϕ x 57 LG. c/w (1) HEX NUT EACH	SA-325
8	1	GASKET: PURCH. BY ENG.	



					APPROVED		DRAWN	
					MECH./STRUCT.	BY	S.FARWELL	
					DATE	DATE	00/02/16	
					ELECTRICAL		CHECKED	
					DATE	BY	M.IWANIUK	
					PROJECT	P.CRAWFORD	DATE	00/02/22
					DATE	00/02/22		
No.	REVISION	BY	DATE	CKD	ENG	SCALE	AS NOTED	
2	RE-DESIGN	S.FARWELL	00/05/24	M.I	S.F.			
1	ISSUED FOR CONSTRUCTION	S.FARWELL	00/02/22	M.I.	P.C.			

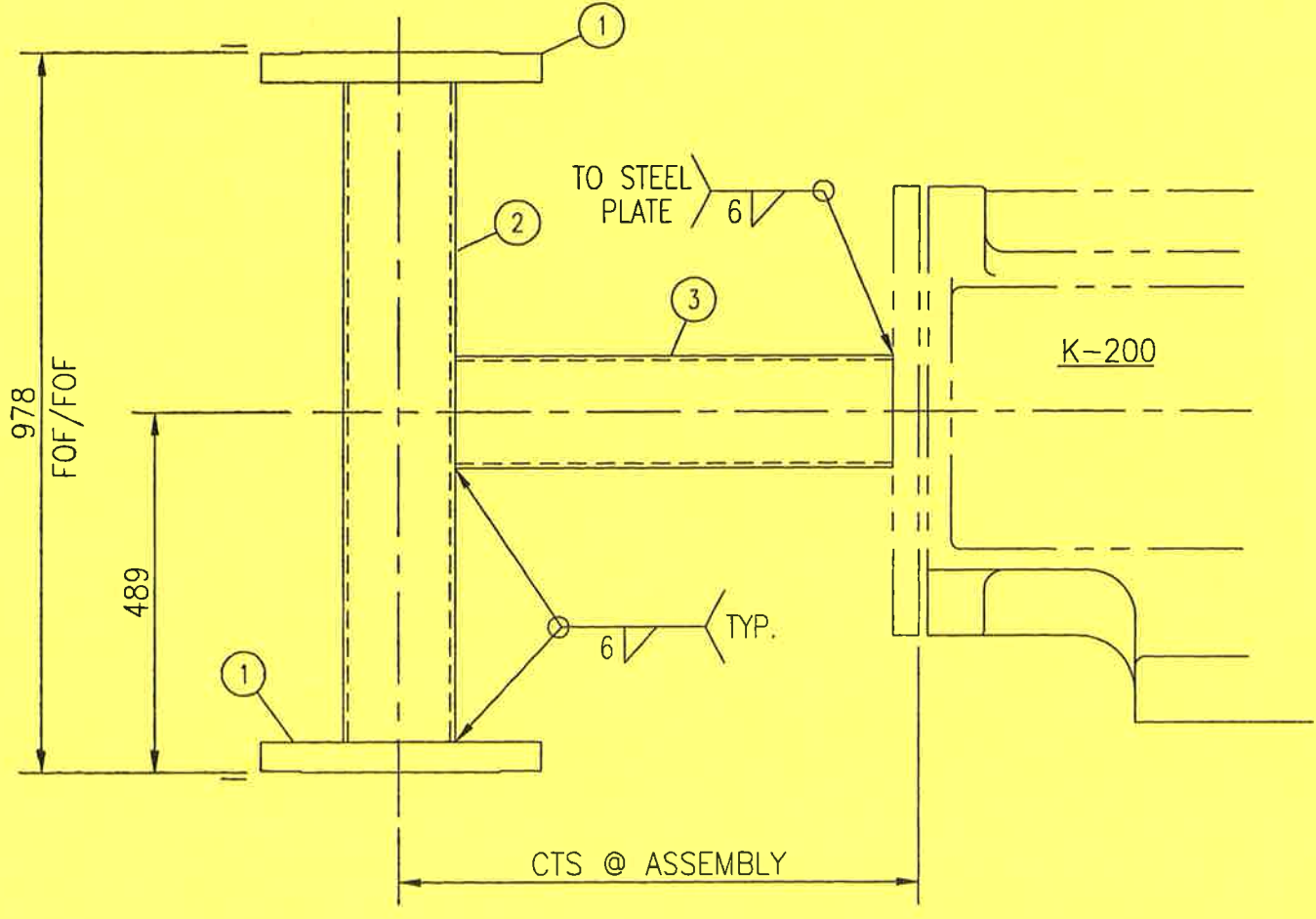
PROPAK SYSTEMS LTD. 1478 HP STOCK COMPRESSOR EXHAUST SUPPORTS	
DWG. No.: A - SPT-99404-114	
REV. 2	

PROPAK
 440 East Lake Road,
 Postal Bag #2
 Airdrie, Alberta
 Canada T4B 2C3

THIS DRAWING AND THE DESIGN IT COVERS ARE CONFIDENTIAL AND THE PROPERTY OF PROPAK SYSTEMS LTD. AND SHALL NOT BE DISCLOSED TO OTHERS OR REPRODUCED IN ANY MANNER OR USED FOR ANY PURPOSE WHATSOEVER EXCEPT BY WRITTEN CONSENT OF PROPAK.

DATE: 2000.05.24 1:06pm FILE NAME: J:\jobs99\DWG\99404\Comp\PIP\SPT-99404-151-01.dwg

BILL OF MATERIAL		
ITEM	QUA	DESCRIPTION
1	2	BLIND FLANGE: 219-300# RF SA-105N
2	1	HSS: 152 x 152 x 6 THK x 895 LG G40.21M-350W
3	1	HSS: 152 x 152 x 6 THK x 710 LG G40.21M-350W



ELEVATION
SCALE 1:10

No.	REVISION	BY	DATE	CKD	ENG
2	RE-DESIGN	S.F.	00/05/24	M.I.	<i>[Signature]</i>
1	ISSUED FOR CONSTRUCTION	S.F.	00/02/15	M.I.	T.K.

APPROVED		DRAWN	
MECH./STRUCT.	BY	S.FARWELL	DATE
DATE	DATE	00/02/02	
ELECTRICAL	BY	M.IWANIUK	DATE
DATE	DATE	00/02/15	
PROJECT	T.KELLER		
DATE	00/02/15		
SCALE	AS NOTED		

PROPAK SYSTEMS LTD.
1478 HP STOCK COMPRESSOR PACKAGE
DUMMY CYLINDER
FOR STAGE#1
DWG. No.: **A-SPT-99404-151-01** REV. 2

PROPAK
440 East Lake Road,
Postal Bag #2
Airdrie, Alberta
Canada T4B 2C3