

THIS SPOOL TO BE FLUSHED OUT AT HYDROTEST,
AIR DRIED AND OILED INTERNALLY.

DATE: 2000.05.24 11:41am FILE NAME: J:\jobs99\DWG\99404\Comp\PIP\PIP-99404-151-01.dwg

INSUL : NONE						CODE	B31.3	STRESS RELIEF	YES	DRAWN	S.FARWELL	PROPAG	
SURF. PREP. :						DESIGN PRES.	4516 kPa	DESIGN TEMP.	-28/149 °C		DATE		00/01/21
PRIMER :	PNT-11					TEST PRES.	6774 kPa	X-RAY	100%		CHECKED		M.IWANIUK
PAIN T :						WELD PROC'S	P.S.L. P.S.L.	P.S.L. P.S.L.			DATE		00/02/15
		2	S.F.	00/05/24	RE-DESIGNED					APPROVED	T.KELLER	LINE No. : P-001-BS-273	
		1	S.F.	00/02/15	ISSUED FOR CONSTRUCTION	M.I.	T.K.			DATE	00/02/15	TO: V-100 FROM: SKID EDGE (N1)	
		REV	BY	DATE	DESCRIPTION	CKD APPROVED	ENG	PROCESS : GAS		DATE	00/02/15	DWG No. : B-PIP-99404-151 '01'	

ITM	QTY	SIZE	WT	PIPE		
1	3.0 m	273	9.27	SMLS		SA-106-B

ITM	QTY	SIZE	RATING	SCHEDULE	FLANGES	
6	1	89	300#	40	RFWN	SA-105N
7	2	273	300#	40	RFWN	SA-105N

ITM	QTY	SIZE	RATING	GASKETS		
12	1	89	300#	3 THK RF SP. WD. FLEX.	STD. FILLER	316SS
13	1	273	300#	3 THK RF SP. WD. FLEX.	STD. FILLER	316SS

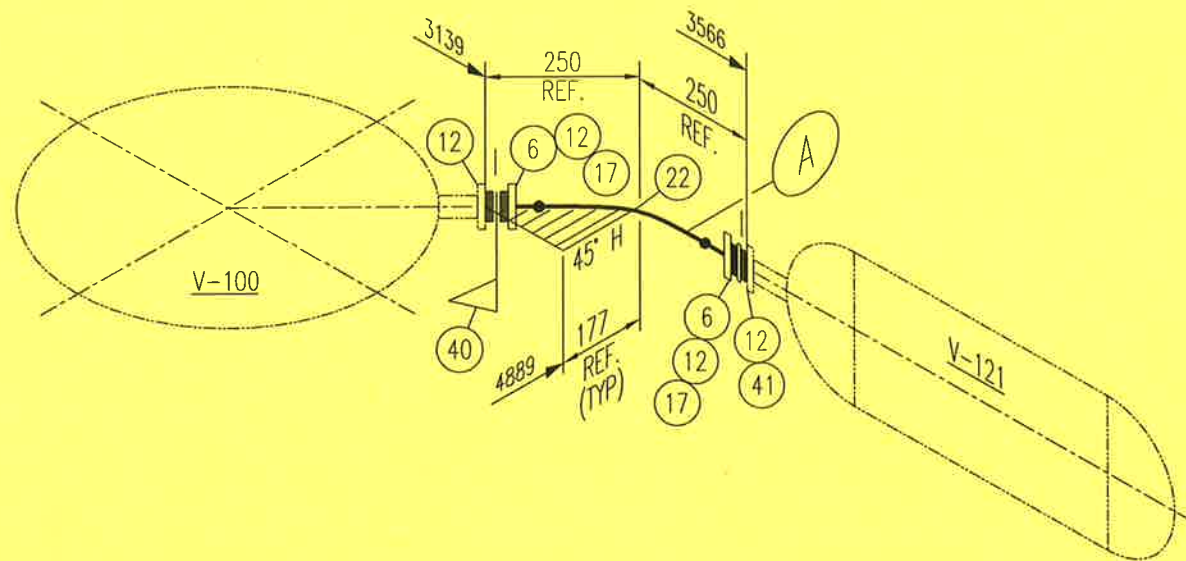
ITM	QTY	SIZE	LENGTH	STUD BOLTS w/ 2 HEX NUTS		
17	8	19ø	108	SA-193-B7M/SA-194-2HM		
18	16	25ø	159	SA-193-B7M/SA-194-2HM		

ITM	QTY	SIZE	SCHEDULE	FITTINGS - BW		
22	1	89	40	ELBOW 90° LR		SA-234-WPB
23	1	89	STD	WOL: (ON A 273 OD RUN)		SA-105N
24	1	273	40	ELBOW 90° LR		SA-234-WPB

ITM	QTY	SIZE	NIPPLES/SWAGES			

ITM	QTY	SIZE	RATING	FITTINGS - SCR'D / SW		
35	3	27	6000#	TOL: (ON A 273 OD RUN) (1) c/w PLUG		SA-105N
36	1	33	6000#	TOL: (ON A 273 OD RUN) c/w PLUG		SA-105N

ITM	QTY	SIZE	MISCELLANEOUS			



THIS SPOOL TO BE FLUSHED OUT AT HYDROTEST,
AIR DRIED AND OILED INTERNALLY.

DATE: 2000.05.24 11:42am FILE NAME: J:\jobs99\DWG\99404\Comp\PIP\PIP-99404-151-02.dwg

INSUL : NONE						CODE	B31.3	STRESS RELIEF	YES			
SURF. PREP. :						DESIGN PRES.	4516 kPa	DESIGN TEMP.	-28/149 °C	DRAWN	S.FARWELL	PROPAK
PRIMER :	PNT-11					TEST PRES.	6774 kPa	X-RAY	100%	DATE	00/01/24	
PAIN T :		2	S.F.	00/05/24	RE-DESIGNED	WELD PROC'S	P.S.L.	P.S.L.	P.S.L.	CHECKED	M.IWANIUK	LINE No. : P-002-BS-219
		1	S.F.	00/02/15	ISSUED FOR CONSTRUCTION	PROCESS	GAS			DATE	00/02/15	TO: V-121 FROM: V-100
		REV	BY	DATE	DESCRIPTION	CKD	ENG	APPROVED		DATE	00/02/15	DWG No. : B-PIP-99404-151 '02'

ITM	QTY	SIZE	WT	PIPE		

ITM	QTY	SIZE	RATING	SCHEDULE	FLANGES	
6	2	219	300#	40	RFWN	SA-105N

ITM	QTY	SIZE	RATING	GASKETS		
12	4	219	300#	3 THK RF SP. WD. FLEX.	STD. FILLER	316SS

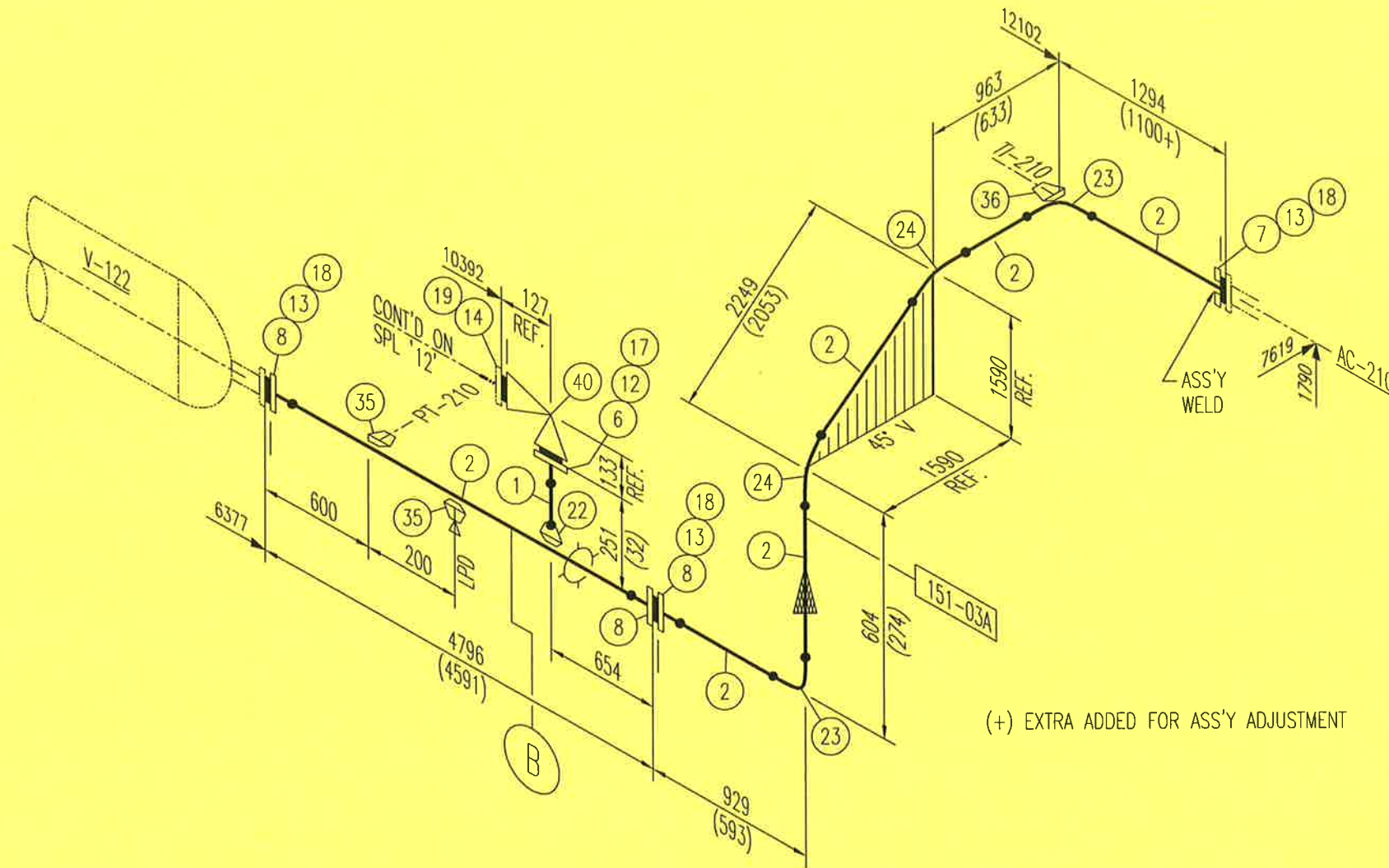
ITM	QTY	SIZE	LENGTH	STUD BOLTS w/ 2 HEX NUTS		
17	24	22ø	146	SA-193-B7M/SA-194-2HM		

ITM	QTY	SIZE	SCHEDULE	FITTINGS - BW		
22	1	219	40	ELBOW 45° LR SMLS		SA-234-WPB

ITM	QTY	SIZE	NIPPLES/SWAGES			

ITM	QTY	SIZE	RATING	FITTINGS - SCR'D / SW		

ITM	QTY	SIZE	MISCELLANEOUS			
40	1	219	TSS-121	PURCH. BY ENG.		
41	1	219	RO-121	PURCH. BY ENG.		



THIS SPOOL TO BE FLUSHED OUT AT HYDROTEST,
AIR DRIED AND OILED INTERNALLY.

DATE: 2000.05.24 11:42am FILE NAME: J:\jobs99\DWG\99404\Comp\PIP\PIP-99404-151-03.dwg

INSUL : NONE						CODE	B31.3	STRESS RELIEF	YES
SURF. PREP. :						DESIGN PRES.	4447 kPa	DESIGN TEMP.	-28/176 °C
PRIMER :	PNT-12					TEST PRES.	6671 kPa	X-RAY	100%
PAIN T :						WELD PROC'S	P.S.L. P.S.L.	P.S.L. P.S.L.	
REV	BY	DATE	DESCRIPTION		CKD	ENG	PROCESS : GAS		
					APPROVED				

DRAWN	S.FARWELL	PROPAK	
DATE	00/01/24		
CHECKED	M.IWANIUK		
DATE	00/02/15	LINE No. : P-003-BS-168	
APPROVED	T.KELLER	TO: AC-210	FROM: V-122
DATE	00/02/15	DWG No. : B-PIP-99404-151 '03'	

ITM	QTY	SIZE	WT	PIPE	
1	0.1 m	60	8.71	SMLS	SA-106-B
2	10.2 m	168	7.11	SMLS	SA-106-B

ITM	QTY	SIZE	RATING	SCHEDULE	FLANGES	
6	1	60	300#	160	RFWN	SA-105N
7	1	168	300#	-	RFSO	SA-105N
8	3	168	300#	40	RFWN	SA-105N

ITM	QTY	SIZE	RATING	GASKETS	
12	1	60	300#	3 THK RF SP. WD. FLEX.	STD. FILLER 316SS
13	3	168	300#	3 THK RF SP. WD. FLEX.	STD. FILLER 316SS
14	1	89	150#	3 THK RF SP. WD. FLEX.	STD. FILLER 316SS

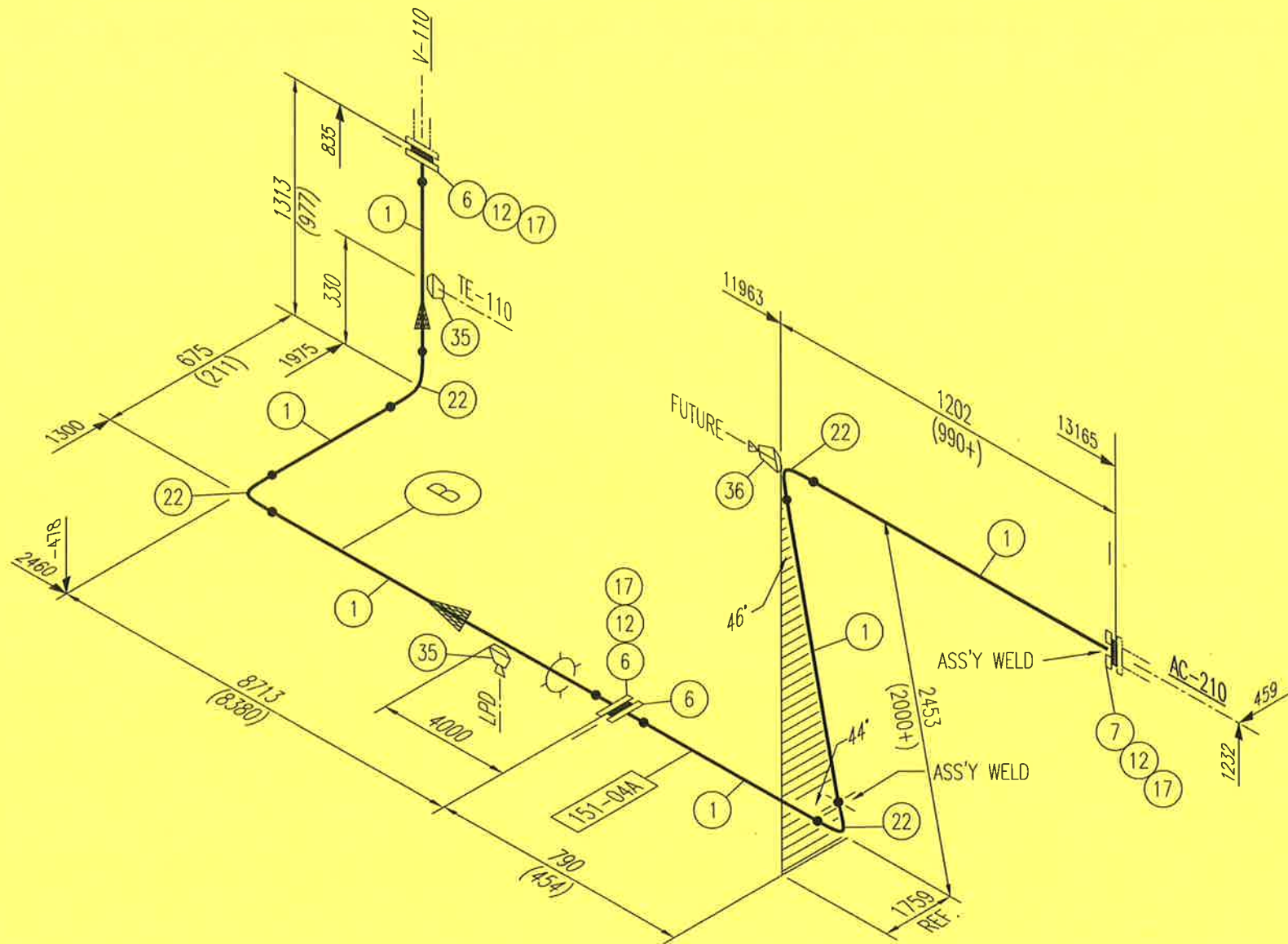
ITM	QTY	SIZE	LENGTH	STUD BOLTS w/ 2 HEX NUTS	
17	8	16ø	133	SA-193-B7M/SA-194-2HM	
18	36	19ø	127	SA-193-B7M/SA-194-2HM	
19	4	16ø	95	SA-193-B7M/SA-194-2HM	

ITM	QTY	SIZE	SCHEDULE	FITTINGS - BW	
22	1	60	160	WOL: (ON A 168 OD RUN) SA-105N	
23	2	168	40	ELBOW 90° LR SA-234-WPB	
24	2	168	40	ELBOW 45° LR SMLS SA-234-WPB	

ITM	QTY	SIZE	NIPPLES/SWAGES		

ITM	QTY	SIZE	RATING	FITTINGS - SCR'D / SW	
35	2	27	6000#	TOL: (ON A 168 OD RUN) (1) c/w PLUG SA-105N	
36	1	27	6000#	EOL: (ON A 168 OD RUN) NPT SA-105N	

ITM	QTY	SIZE	MISCELLANEOUS		
40	1	60x89	PSV-200	PURCH. BY ENG.	



+ EXTRA ADDED FOR ASS'Y ADJUSTMENT

THIS SPOOL TO BE FLUSHED OUT AT HYDROTEST,
AIR DRIED AND OILED INTERNALLY.

DATE: 2000.05.25 4:02pm FILE NAME: J:\jobs99\DWG\99404\Comp\PIP\PIP-99404-151-04.dwg

INSUL : NONE						CODE	B31.3	STRESS RELIEF	YES				
SURF. PREP. :						DESIGN PRES.	4516 kPa	DESIGN TEMP.	-28/149 °C	DRAWN	S.FARWELL	PROPAK	
PRIMER :	PNT-11					TEST PRES.	6774 kPa	X-RAY	100%	DATE	00/01/24		
PAIN T :		2	S.F.	00/05/25	RE-DESIGNED	WELD PROC'S	P.S.L.	P.S.L.	P.S.L.	CHECKED	M.IWANIUK	LINE No. :	P-004-BS-168
		1	S.F.	00/02/15	ISSUED FOR CONSTRUCTION					DATE	00/02/15	TO:	V-110
		REV	BY	DATE	DESCRIPTION	CKD	ENG	APPROVED	PROCESS : PROCESS GAS	APPROVED	T.KELLER	FROM:	AC-210
										DATE	00/02/15	DWG No. :	B-PIP-99404-151 '04'

ITM	QTY	SIZE	WT	PIPE		
1	14.3 m	168	7.11	SMLS		SA-106-B

ITM	QTY	SIZE	RATING	SCHEDULE	FLANGES	
6	3	168	300#	40	RFWN	SA-105N
7	1	168	300#	-	RFSO	SA-105N

ITM	QTY	SIZE	RATING	GASKETS		
12	3	168	300#	3 THK RF SP. WD. FLEX.	STD. FILLER	316SS

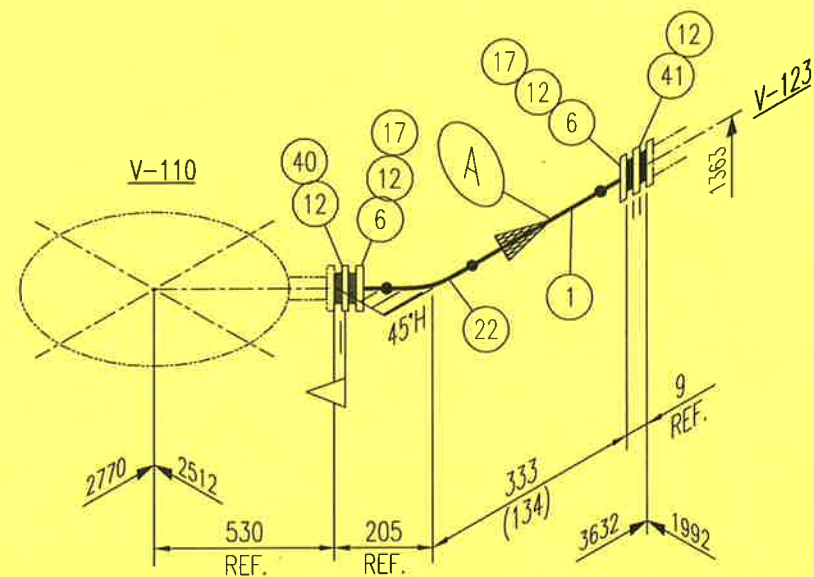
ITM	QTY	SIZE	LENGTH	STUD BOLTS w/ 2 HEX NUTS		
17	36	19 Ø	127	SA-193-B7M/SA-194-2HM		

ITM	QTY	SIZE	SCHEDULE	FITTINGS - BW		
22	4	168	40	ELBOW 90° LR SMLS		SA-234-WPB

ITM	QTY	SIZE	NIPPLES/SWAGES			

ITM	QTY	SIZE	RATING	FITTINGS - SCR'D / SW		
35	2	27	6000#	TOL: ON A 168 OD RUN (1) /w PLUG		SA-105N
36	1	27	6000#	EOL: ON A 168 OD RUN c/w PLUG		SA-105N

ITM	QTY	SIZE	MISCELLANEOUS			



ITM	QTY	SIZE	WT	PIPE	
1	0.2 m	168	7.11	SMLS	SA-106-B

ITM	QTY	SIZE	RATING	SCHEDULE	FLANGES	
6	2	168	300#	40	RFWN	SA-105N

ITM	QTY	SIZE	RATING	GASKETS		
12	4	168	300#	3 THK RF SP. WD. FLEX.	STD. FILLER	304SS

ITM	QTY	SIZE	LENGTH	STUD BOLTS w/ 2 HEX NUTS		
17	24	19 Ø	133	SA-193-B7M/SA-194-2HM		

ITM	QTY	SIZE	SCHEDULE	FITTINGS - BW	
22	1	168	40	ELBOW 45° LR SMLS SA-234-WPB	

ITM	QTY	SIZE	NIPPLES/SWAGES		

ITM	QTY	SIZE	RATING	FITTINGS - SCR'D / SW	

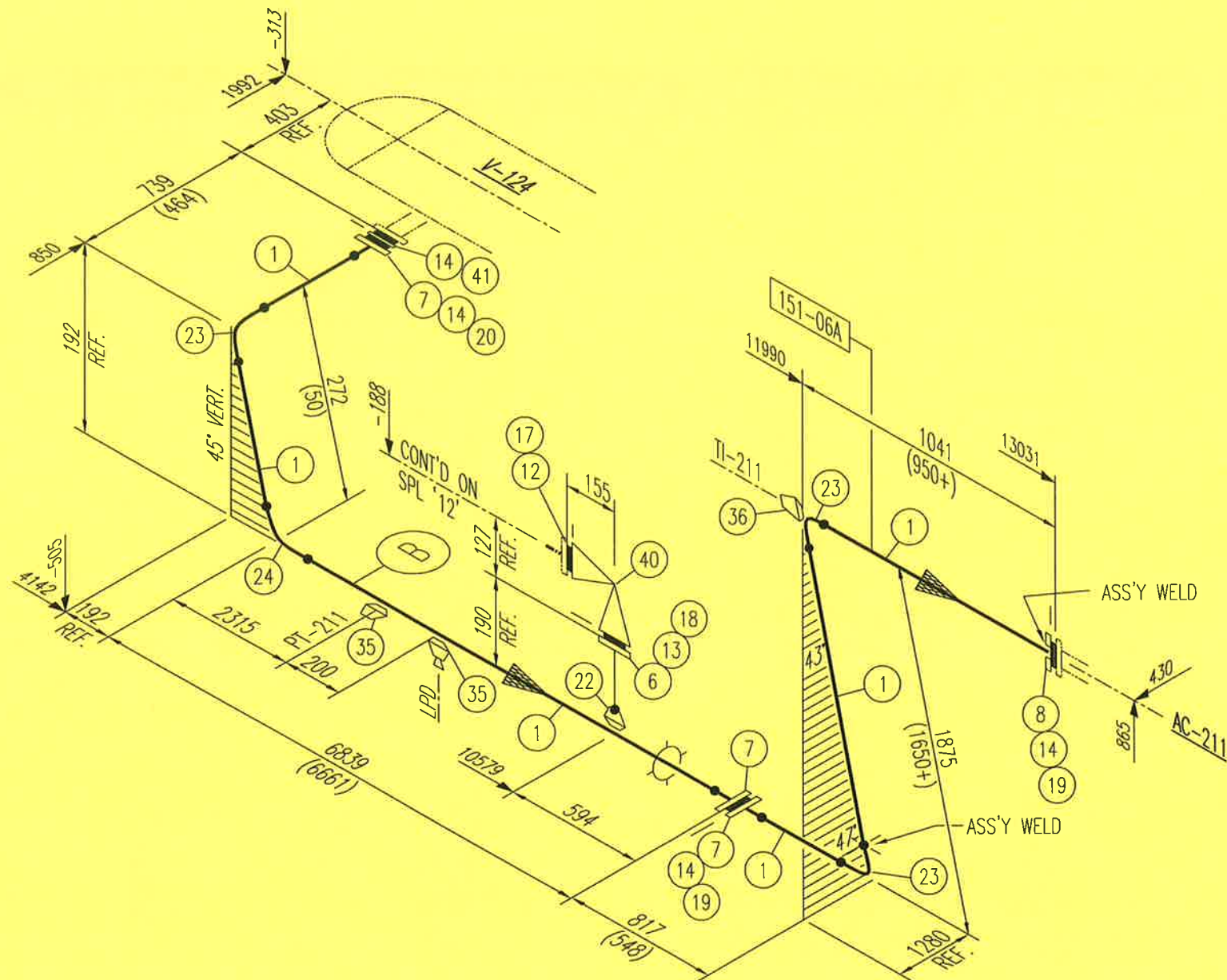
ITM	QTY	SIZE	MISCELLANEOUS		
40	1	168	TSS-123	PURCH. BY ENG.	
41	1	168	RO-123	PURCH. BY ENG.	

THIS SPOOL TO BE FLUSHED OUT AT HYDROTEST, AIR DRIED AND OILED INTERNALLY.

DATE: 2000.05.24 11:43am FILE NAME: J:\jobs99\DWG\99404\Comp\PIP\PIP-99404-151-05.dwg

INSUL : NONE						CODE	B31.3	STRESS RELIEF	YES
SURF. PREP. :						DESIGN PRES.	4516 kPa	DESIGN TEMP.	-28/149 °C
PRIMER : PNT-11						TEST PRES.	6774 kPa	X-RAY	100%
PAIN T :						WELD PROC'S	P.S.L. P.S.L.	P.S.L. P.S.L.	
REV	BY	DATE	DESCRIPTION			CKD	ENG	APPROVED	
2	S.F.	00/05/24	RE-DESIGNED						
1	S.F.	00/02/15	ISSUED FOR CONSTRUCTION						
			PROCESS : PROCESS GAS						

DRAWN	S.FARWELL	PROPAK		
DATE	00/01/24			
CHECKED	M.IWANIUK			
DATE	00/02/15	LINE No. : P-005-BS-168		
APPROVED	T.KELLER	TO: V-123 FROM: V-110		
DATE	00/02/15	DWG No. : B-PIP-99404-151 '05'		
				REV 2



+ EXTRA ADDED FOR ASS'Y ADJUSTMENT

THIS SPOOL TO BE FLUSHED OUT AT HYDROTEST, AIR DRIED AND OILED INTERNALLY.

DATE: 2000.05.24 11:43am FILE NAME: J:\jobs99\DWG\99404\Comp\PIP\PIP-99404-151-06.dwg

INSUL : NONE						CODE	B31.3	STRESS RELIEF	YES
SURF. PREP. :						DESIGN PRES.	8908 kPa	DESIGN TEMP.	-28/176 °C
PRIMER :	PNT-12	SW				TEST PRES.	13362 kPa	X-RAY	100%
PAINT :						WELD PROC'S	P.S.L. P.S.L.	P.S.L. P.S.L.	
REV	BY	DATE	DESCRIPTION	CKD	ENG	APPROVED	PROCESS : PROCESS GAS		
2	S.F.	00/05/24	RE-DESIGNED	M.I.	gwh				
1	S.F.	00/02/15	ISSUED FOR CONSTRUCTION	M.I.	T.K.				

ITM	QTY	SIZE	WT	PIPE	
1	11.4 m	114	8.56	SMLS	SA-106-B

ITM	QTY	SIZE	RATING	SCHEDULE	FLANGES	
6	1	48	600#	160	RFWN	SA-105N
7	3	114	600#	80	RFWN	SA-105N
8	1	114	600#	-	RFSO	SA-105N

ITM	QTY	SIZE	RATING	GASKETS	
12	1	60	150#	3 THK RF SP. WD. FLEX.	STD. FILLER 316SS
13	1	48	600#	3 THK RF SP. WD. FLEX.	STD. FILLER 316SS
14	4	114	600#	3 THK RF SP. WD. FLEX.	STD. FILLER 316SS

ITM	QTY	SIZE	LENGTH	STUD BOLTS w/ 2 HEX NUTS	
17	4	16 Ø	83	SA-193-B7M/SA-194-2HM	
18	4	19 Ø	123	SA-193-B7M/SA-194-2HM	
19	16	22 Ø	146	SA-193-B7M/SA-194-2HM	
20	8	22 Ø	152	SA-193-B7M/SA-194-2HM	

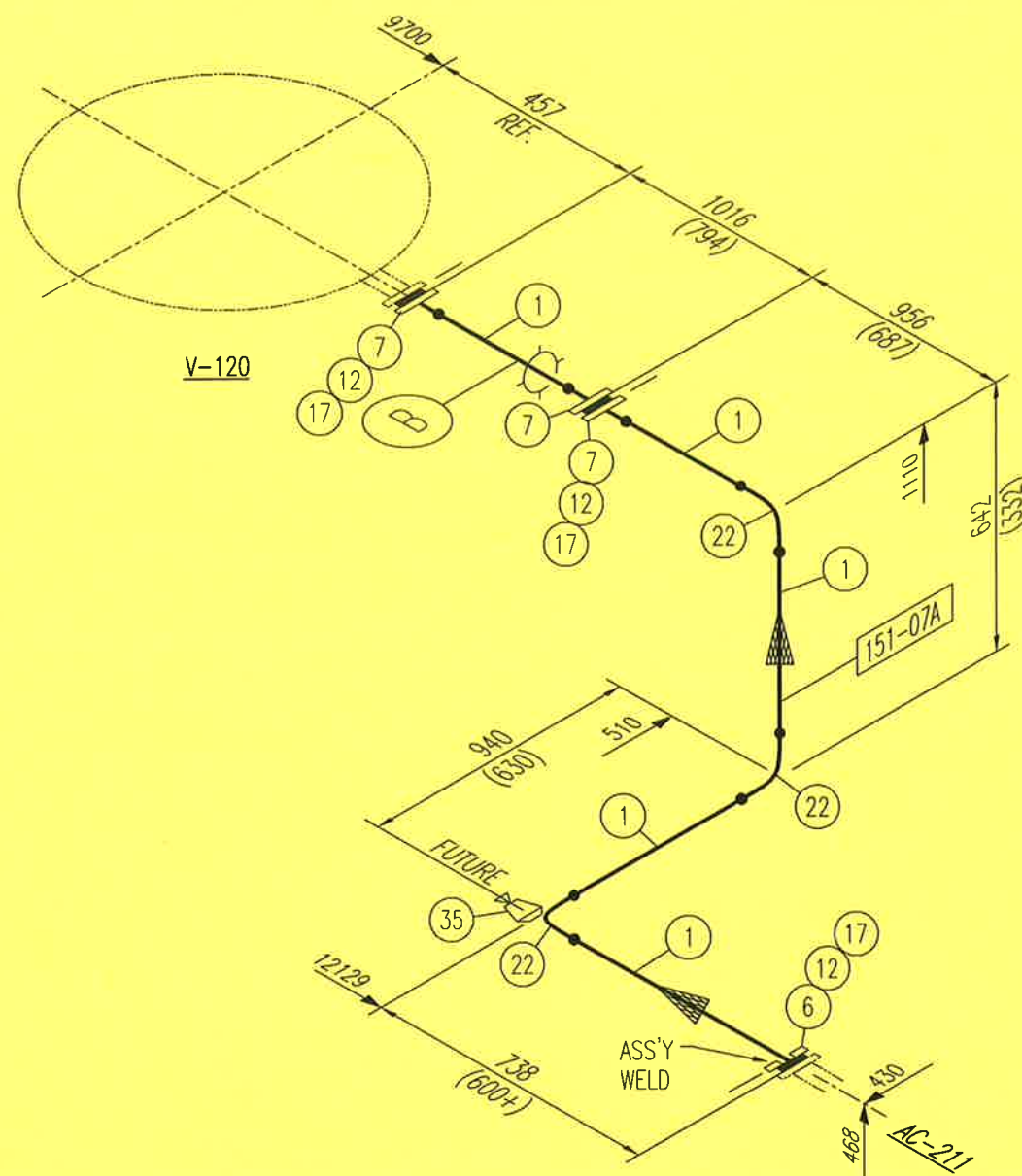
ITM	QTY	SIZE	SCHEDULE	FITTINGS - BW	
22	1	48	160	WOL: (ON A 114 OD RUN) SA-105N	
23	3	114	80	ELBOW 90° LR SMLS SA-234-WPB	
24	1	114	80	ELBOW 45° LR SMLS SA-234-WPB	

ITM	QTY	SIZE	NIPPLES/SWAGES		

ITM	QTY	SIZE	RATING	FITTINGS - SCR'D / SW	
35	2	27	6000#	TOL: ON A 114 OD RUN - (1) w/ PLUG SA-105N	
36	1	27	6000#	EOL: (ON A 114 OD RUN) SA-105N	

ITM	QTY	SIZE	MISCELLANEOUS		
40	1	48x60	PSV-202	PURCH. BY ENG.	
41	1	114	RO-124	PURCH. BY ENG.	

DRAWN	S.FARWELL	PROPAK			
DATE	00/01/24				
CHECKED	M.IWANIUK				
DATE	00/02/15	LINE No. : P-006-CS-114			
APPROVED	T.KELLER	TO: AC-211		FROM: V-124	
DATE	00/02/15	DWG No. : B-PIP-99404-151 '06'			REV 2



+ EXTRA ADDED FOR ASS'Y ADJUSTMENT

THIS SPOOL TO BE FLUSHED OUT AT HYDROTEST, AIR DRIED AND OILED INTERNALLY.

DATE: 2000.05.24 11:43am FILE NAME: J:\jobs99\DWG\99404\Comp\PIP\PIP-99404-151-07.dwg

INSUL : NONE						CODE	B31.3	STRESS RELIEF	YES
SURF. PREP. :						DESIGN PRES.	9067 kPa	DESIGN TEMP.	-28/149 °C
PRIMER : PNT-11						TEST PRES.	13601 kPa	X-RAY	100%
PAIN T :						WELD PROC'S	P.S.L. P.S.L.	P.S.L. P.S.L.	
REV	BY	DATE	DESCRIPTION		CKD APPROVED	ENG	PROCESS : PROCESS GAS		
2	S.F.	00/05/24	RE-DESIGNED		M.I.				
1	S.F.	00/02/22	ISSUED FOR CONSTRUCTION		M.I.	T.K.			

ITM	QTY	SIZE	WT	PIPE	
1	3.3 m	114	8.56	SMLS	SA-106-B

ITM	QTY	SIZE	RATING	SCHEDULE	FLANGES	
6	1	114	600#	-	RFSO	SA-105N
7	3	114	600#	80	RFWN	SA-105N

ITM	QTY	SIZE	RATING	GASKETS	
12	3	114	600#	3 THK RF SP. WD. FLEX.	STD. FILLER 316SS

ITM	QTY	SIZE	LENGTH	STUD BOLTS w/ 2 HEX NUTS	
17	24	22ø	146	SA-193-B7M/SA-194-2HM	

ITM	QTY	SIZE	SCHEDULE	FITTINGS - BW	
22	3	114	80	ELBOW 90° LR SA-234-WPB	

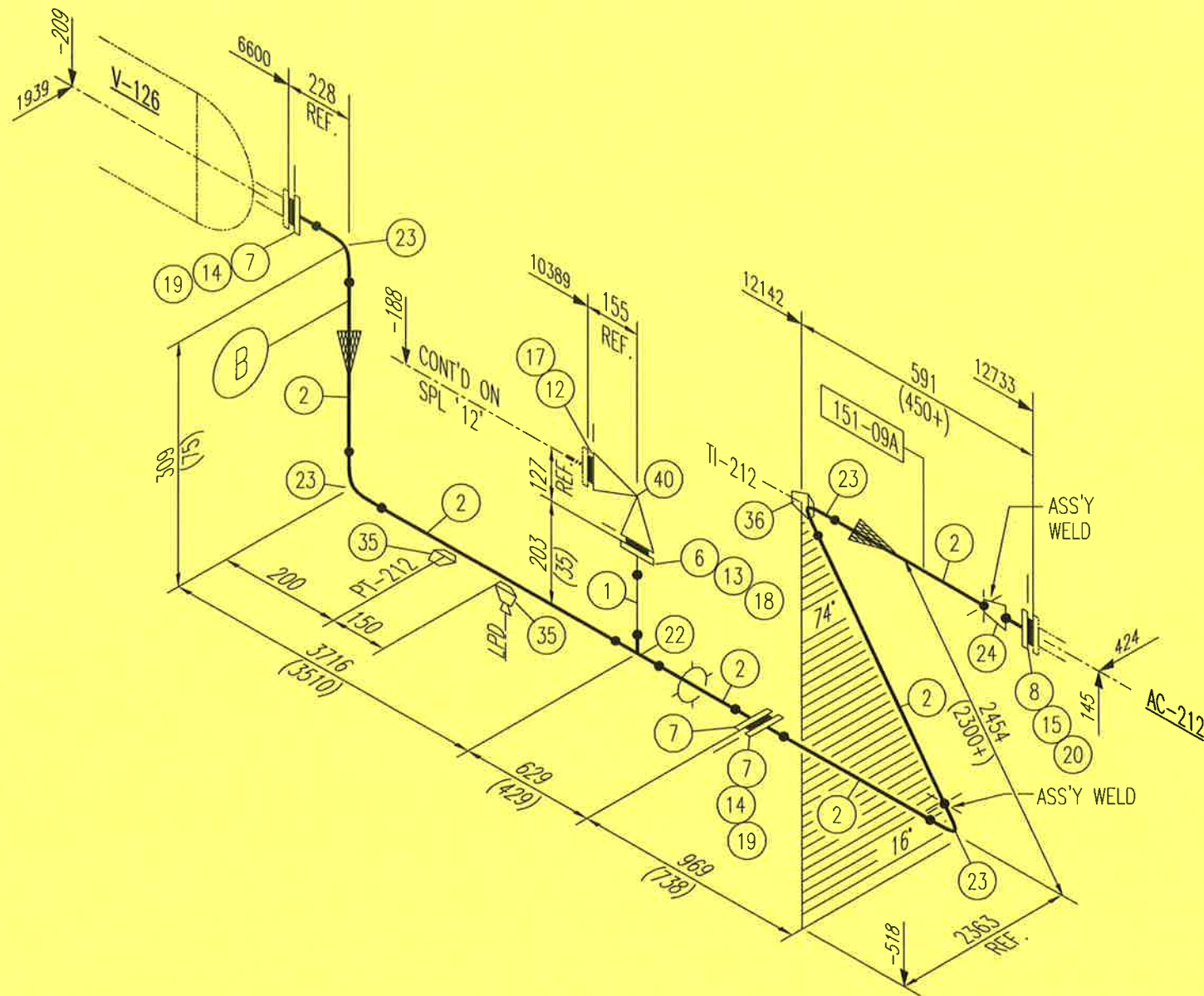
ITM	QTY	SIZE	NIPPLES/SWAGES		

ITM	QTY	SIZE	RATING	FITTINGS - SCR'D / SW	
35	1	27	6000#	EOL: (ON A 114 OD RUN) c/w PLUG NPT SA-105N	

ITM	QTY	SIZE	MISCELLANEOUS		

DRAWN	S.FARWELL	PROPAK	
DATE	00/02/14		
CHECKED	M.IWANIUK		
DATE	00/02/22	LINE No. : P-007-CS-114	
APPROVED	T.KELLER	TO: V-120	FROM: AC-211
DATE	00/02/22	DWG No. : B-PIP-99404-151 '07'	

REV 2



+ EXTRA ADDED FOR ASS'Y ADJUSTMENT

THIS SPOOL TO BE FLUSHED OUT AT HYDROTEST,
AIR DRIED AND OILED INTERNALLY.

DATE: 2000.05.24 11:43am FILE NAME: J:\jobs99\DWG\99404\Comp\PIP\PIP-99404-151-09.dwg

INSUL : NONE						CODE	B31.3	STRESS RELIEF	YES		
SURF. PREP. :						DESIGN PRES.	11377 kPa	DESIGN TEMP.	-28/176 °C	DRAWN	S.FARWELL
PRIMER :	PNT-12					TEST PRES.	17066 kPa	X-RAY	100%	DATE	00/01/24
PAINT :		2	S.F.	00/05/24	RE-DESIGNED	WELD PROC'S	P.S.L.	P.S.L.	P.S.L.	CHECKED	M.IWANIUK
		1	S.F.	00/02/15	ISSUED FOR CONSTRUCTION					DATE	00/02/15
		REV	BY	DATE	DESCRIPTION	CKD APPROVED	ENG APPROVED	PROCESS	PROCESS GAS	APPROVED	T.KELLER
										DATE	00/02/15

ITM	QTY	SIZE	WT	PIPE		
1	0.1 m	48	7.14	SMLS		SA-106-B
2	8.3 m	89	7.62	SMLS		SA-106-B

ITM	QTY	SIZE	RATING	SCHEDULE	FLANGES	
6	1	48	900#	160	RTJWN	SA-105N
7	3	89	900#	80	RFWN	SA-105N
8	1	114	900#	80	RFWN	SA-105N

ITM	QTY	SIZE	RATING	GASKETS		
12	1	73	300#	3 THK RF SP. WD. FLEX.	STD. FILLER	316SS
13	1	48	900#	O-RING R20 OVAL		316SS
14	2	89	900#	3 THK RF SP. WD. FLEX.	STD. FILLER c/w 73.66 ID INNER RING	316SS
15	1	114	900#	3 THK RF SP. WD. FLEX.	STD. FILLER c/w 97.18 ID INNER RING	316SS

ITM	QTY	SIZE	LENGTH	STUD BOLTS w/ 2 HEX NUTS	
17	8	19 Ø	102	SA-193-B7M/SA-194-2HM	
18	4	25 Ø	152	SA-193-B7M/SA-194-2HM	
19	16	22 Ø	146	SA-193-B7M/SA-194-2HM	
20	8	29 Ø	171	SA-193-B7M/SA-194-2HM	

ITM	QTY	SIZE	SCHEDULE	FITTINGS - BW	
22	1	89x48	80x160	REDUCING TEE SMLS SA-234-WPB	
23	4	89	80	ELBOW 90° LR SMLS SA-234-WPB	
24	1	114x89	80	CONCENTRIC REDUCER SMLS SA-234-WPB	

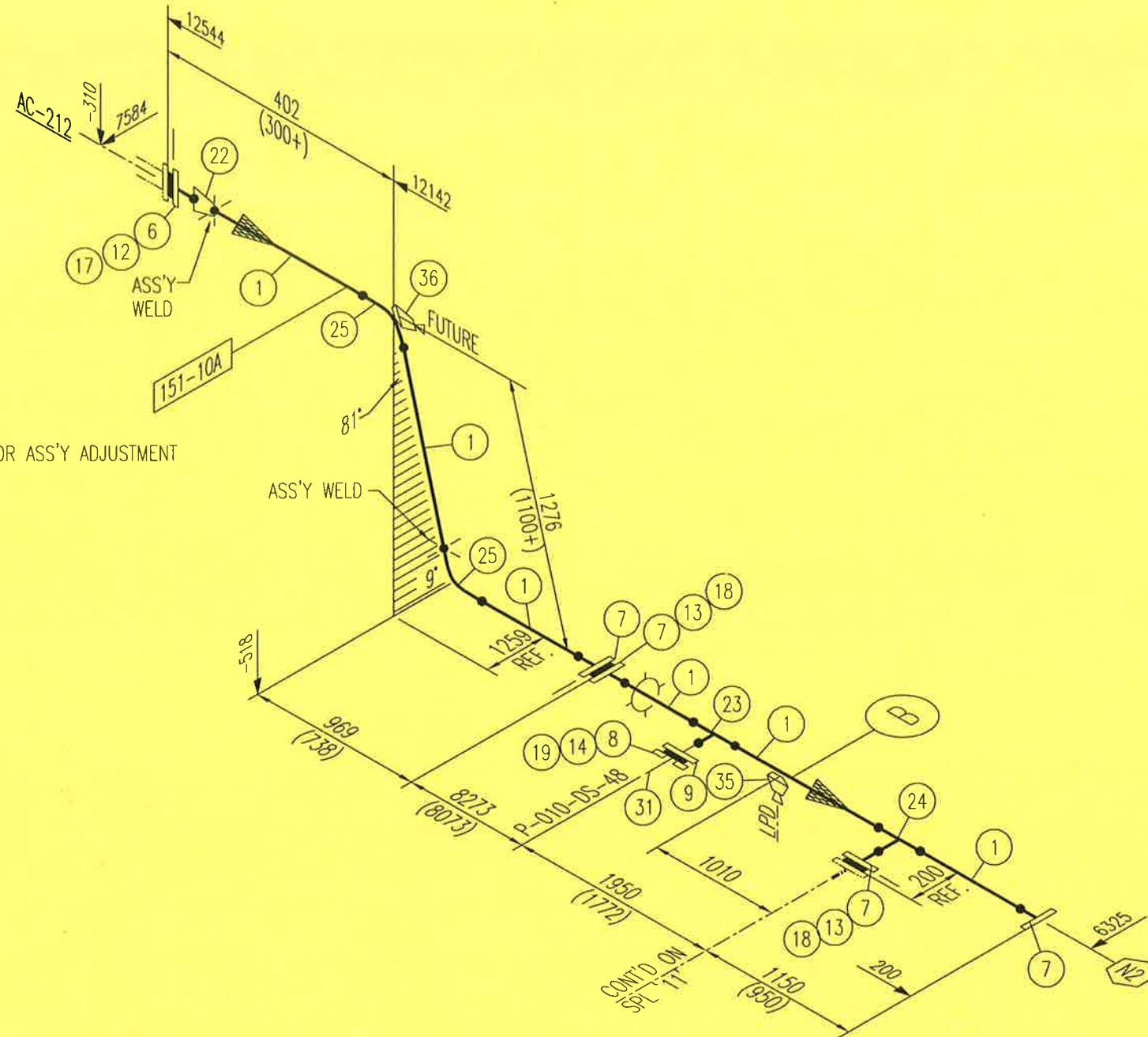
ITM	QTY	SIZE	NIPPLES/SWAGES		

ITM	QTY	SIZE	RATING	FITTINGS - SCR'D / SW	
35	2	27	6000#	TOL: ON A 89 OD RUN - (1) w/ PLUG SA-105N	
36	1	27	6000#	EOL: (ON A 89 OD RUN) NPT SA-105N	

ITM	QTY	SIZE	MISCELLANEOUS		
40	1	48x60	PSV-203		PURCH. BY ENG.

ITM	QTY	SIZE	MISCELLANEOUS		

DRAWN	S.FARWELL	PROPAK			
DATE	00/01/24				
CHECKED	M.IWANIUK				
DATE	00/02/15	LINE No. : P-009-DS-89			
APPROVED	T.KELLER	TO: AC-212		FROM: V-126	
DATE	00/02/15	DWG No. : B-PIP-99404-151 '09'			REV 2



+ EXTRA ADDED FOR ASS'Y ADJUSTMENT

ITM	QTY	SIZE	WT	PIPE	
1	14.2 m	89	7.62	SMLS	SA-106-B

ITM	QTY	SIZE	RATING	SCHEDULE	FLANGES	
6	1	114	900#	80	RFWN	SA-105N
7	4	89	900#	80	RFWN	SA-105N
8	1	48	900#	-	RFSO	SA-105N
9	1	48	900#	160	RFWN	SA-105N

ITM	QTY	SIZE	RATING	GASKETS	
12	1	114	900#	3 THK RF SP. WD. FLEX. STD. FILLER c/w 97.18 ID INNER RING	316SS
13	2	89	900#	3 THK RF SP. WD. FLEX. STD. FILLER c/w 73.66 ID INNER RING	316SS
14	1	48	900#	3 THK RF SP. WD. FLEX. STD. FILLER	316SS

ITM	QTY	SIZE	LENGTH	STUD BOLTS w/ 2 HEX NUTS	
17	8	29ø	171	SA-193-B7M/SA-194-2HM	
18	16	22ø	146	SA-193-B7M/SA-194-2HM	
19	4	25ø	140	SA-193-B7M/SA-194-2HM	

ITM	QTY	SIZE	SCHEDULE	FITTINGS - BW	
22	1	114x89	80/80	CONCENTRIC REDUCER SMLS	SA-234-WPB
23	1	89x48	80/160	REDUCING TEE SMLS	SA-234-WPB
24	1	89	80	STRAIGHT TEE SMLS	SA-234-WPB
25	2	89	80	ELBOW 90° LR SMLS	SA-234-WPB

ITM	QTY	SIZE	NIPPLES/SWAGES	
31	1	48	NIPPLE: SCH 160 x 152 LG PBE SMLS	SA-106-B

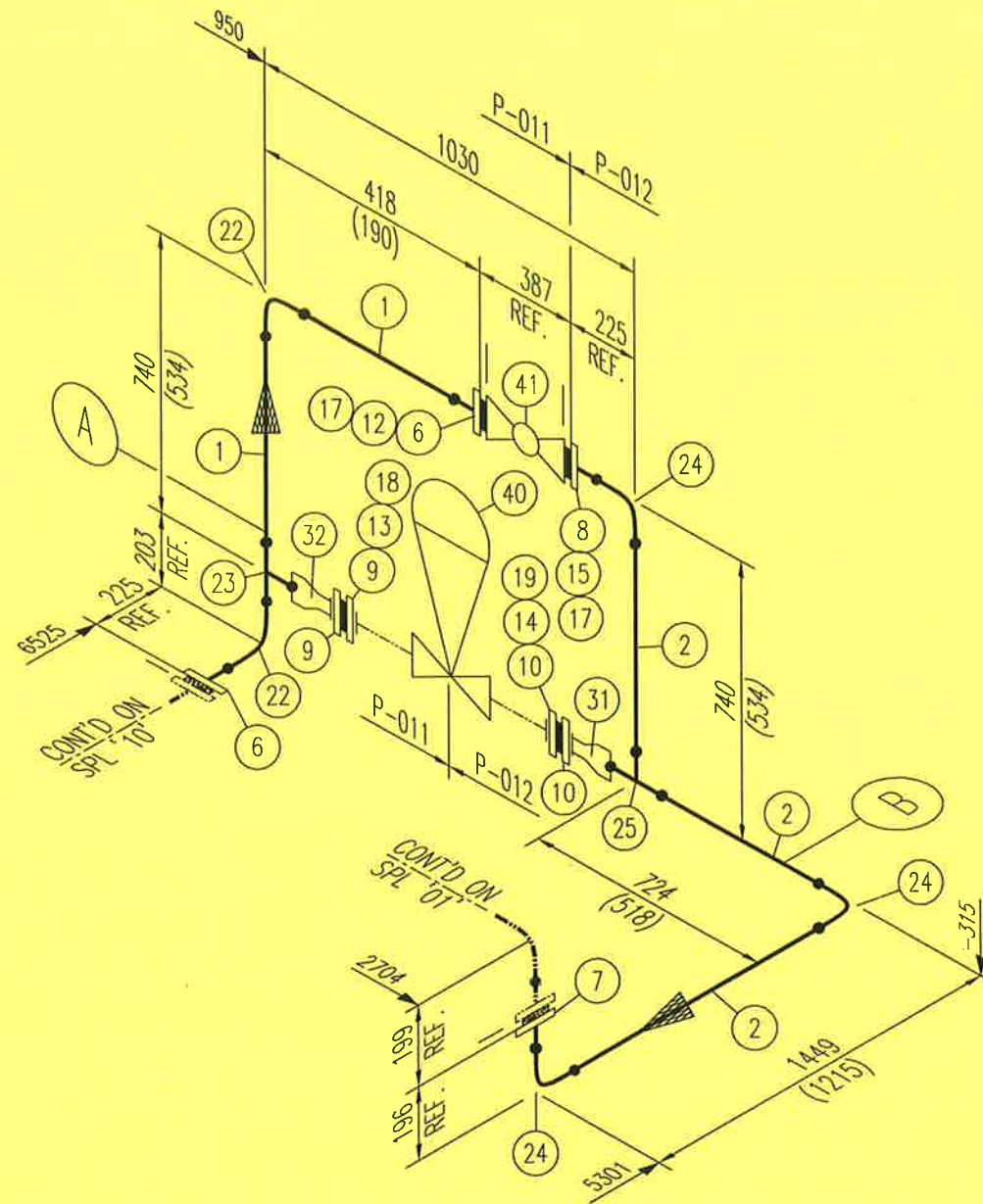
ITM	QTY	SIZE	RATING	FITTINGS - SCR'D / SW	
35	1	27	6000#	TOL: (ON A 89 OD RUN) c/w PLUG	SA-105N
36	1	27	6000#	EOL: (ON A 89 OD RUN) NPT c/w PLUG	SA-105N

ITM	QTY	SIZE	MISCELLANEOUS	

DATE: 2000.05.26 11:12am FILE NAME: J:\jobs99\DWG\99404\Comp\PIP\PIP-99404-151-10.dwg

INSUL : NONE						CODE B31.3	STRESS RELIEF YES
SURF. PREP. :						DESIGN PRES. 11377 kPa	DESIGN TEMP. -28/149 °C
PRIMER : PNT-11						TEST PRES. 17066 kPa	X-RAY 100%
PAIN T :						WELD PROC'S P.S.L.	P.S.L. P.S.L.
	2	S.F.	00/05/26	RE-DESIGNED			
	1	S.F.	00/02/15	ISSUED FOR CONSTRUCTION	M.I. T.K.		
	REV	BY	DATE	DESCRIPTION	CKD ENG APPROVED	PROCESS : PROCESS GAS	

DRAWN S.FARWELL	PROPAK	
DATE 00/01/25		
CHECKED M.IWANIUK		
DATE 00/02/15	LINE No. : P-010-DS-89	
APPROVED T.KELLER	TO: SKID EDGE (N2)	FROM: AC-212
DATE 00/02/15	DWG No. : B-PIP-99404-151 '10'	
		REV 2



THIS SPOOL TO BE FLUSHED OUT AT HYDROTEST,
AIR DRIED AND OILED INTERNALLY.

LINE No.	P-010/P-011	P-012
DESIGN PRES.	11377 kPa	4516 kPa
TEST PRES.	17066 kPa	6774 kPa

DATE: 2000.05.24 1:52pm FILE NAME: J:\jobs99\DWG\99404\Comp\PIP\PIP-99404-151-11.dwg

INSUL :	NONE				CODE	B31.3	STRESS RELIEF	YES
SURF. PREP. :					DESIGN PRES.	SEE TABLE	DESIGN TEMP.	-28/149 °C
PRIMER :	PNT-11				TEST PRES.	SEE TABLE	X-RAY	100%
PAINT :	2	S.F.	00/05/24	RE-DESIGNED	M.I.	GW	WELD PROC'S	P.S.L. P.S.L.
	1	S.F.	00/02/17	ISSUED FOR CONSTRUCTION	M.I.	T.K.	PROCESS :	PROCESS GAS
REV	BY	DATE	DESCRIPTION		CKD	ENG	APPROVED	

ITM	QTY	SIZE	WT	PIPE	
1	0.8 m	89	7.62	SMLS	SA-106-B
2	2.5 m	89	5.49	SMLS	SA-106-B

ITM	QTY	SIZE	RATING	SCHEDULE	FLANGES	
6	2	89	900#	80	RFWN	SA-105N
7	1	89	300#	40	RFWN	SA-105N
8	1	89	900#	40	RFWN	SA-105N
9	1	33	900#	160	RF-NPT	SA-105N
10	1	33	300#	160	RF-NPT	SA-105N

ITM	QTY	SIZE	RATING	GASKETS		
12	1	89	900#	3 THK RF SP. WD. FLEX.	STD. FILLER c/w 73.66 ID INNER RING	316SS
13	1	33	900#	3 THK RF SP. WD. FLEX.	STD. FILLER	316SS
14	1	33	300#	3 THK RF SP. WD. FLEX.	STD. FILLER	316SS
15	1	89	900#	3 THK RF SP. WD. FLEX.	STD. FILLER	316SS

ITM	QTY	SIZE	LENGTH	STUD BOLTS w/ 2 HEX NUTS	
17	16	22ø	146	SA-193-B7M/SA-194-2HM	
18	4	22ø	127	SA-193-B7M/SA-194-2HM	
19	4	16ø	83	SA-193-B7M/SA-194-2HM	

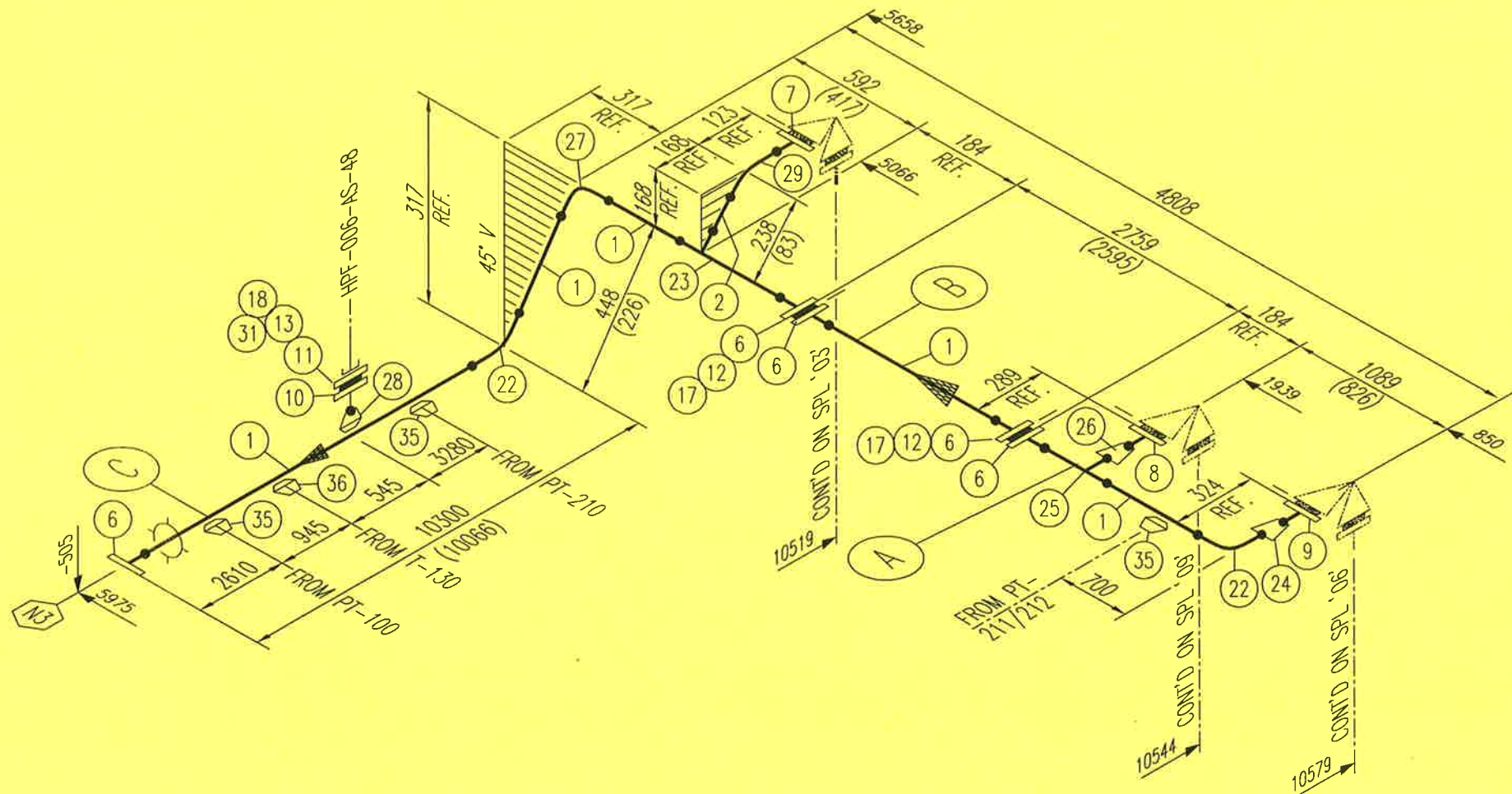
ITM	QTY	SIZE	SCHEDULE	FITTINGS - BW	
22	2	89	80	ELBOW 90° LR	SA-234-WPB
23	1	89	80	STRAIGHT TEE SMLS	SA-234-WPB
24	3	89	40	ELBOW 90° LR	SA-234-WPB
25	1	89	40	STRAIGHT TEE SMLS	SA-234-WPB

ITM	QTY	SIZE	NIPPLES/SWAGES		
31	1	89x33	CONCENTRIC SWAGE40 BLE/160 TSE	SMLS	SA-234-WPB
32	1	89x33	CONCENTRIC SWAGE80 BLE/160 TSE	SMLS	SA-234-WPB

ITM	QTY	SIZE	RATING	FITTINGS - SCR'D / SW	

ITM	QTY	SIZE	MISCELLANEOUS		
40	1	33	PCV-100		PURCH. BY ENG.
41	1	89	BA-910		PURCH. BY ENG.

DRAWN	S.FARWELL	PROPAK			
DATE	00/01/2				
CHECKED	M.IWANIUK				
DATE	00/02/17	LINE No. : P-011-DS-89/P-012-BS-89			
APPROVED	T.KELLER	TO: P-001-BS-273		FROM: P-010-DS-89	
DATE	00/02/17	DWG No. : B-PIP-99404-151 '11'			REV 2



ITEM	QTY	SIZE	WT	PIPE	
1	15.6 m	114	6.02	SMLS	SA-106-B
2	0.1 m	89	5.49	SMLS	SA-106-B

ITEM	QTY	SIZE	RATING	SCHEDULE	FLANGES	
6	5	114	150#	40	RFWN	SA-105N
7	1	89	150#	40	RFWN	SA-105N
8	1	73	300#	40	RFWN	SA-105N
9	1	60	150#	80	RFWN	SA-105N
10	1	48	150#	160	RFWN	SA-105N
11	1	48	150#	160	RFSW	SA-105N

ITEM	QTY	SIZE	RATING	GASKETS	
12	2	114	150#	3 THK RF SP. WD. FLEX.	STD. FILLER 316SS
13	1	48	150#	3 THK RF SP. WD. FLEX.	STD. FILLER 316SS

ITEM	QTY	SIZE	LENGTH	STUD BOLTS w/ 2 HEX NUTS	
17	16	16 Ø	95	SA-193-B7M/SA-194-2HM	
18	4	13 Ø	76	SA-193-B7M/SA-194-2HM	

ITEM	QTY	SIZE	SCHEDULE	FITTINGS - BW	
22	2	114	40	ELBOW 90° LR SMLS SA-234-WPB	
23	1	114x89	40/40	REDUCING TEE SMLS SA-234-WPB	
24	1	114x60	40/80	CONCENTRIC REDUCER SMLS SA-234-WPB	
25	1	114	40	STRAIGHT TEE SMLS SA-234-WPB	
26	1	114x73	40/40	CONCENTRIC REDUCER SMLS SA-234-WPB	
27	1	114	40	ELBOW 45° LR SMLS SA-234-WPB	
28	1	48	160	WOL: (ON A 114 OD RUN) SA-105N	
29	1	89	40	ELBOW 45° LR SMLS SA-234-WPB	

ITEM	QTY	SIZE	NIPPLES/SWAGES	
31	1	48	NIPPLE: SCH 160 x 150 LG PBE SMLS SA-106-B	

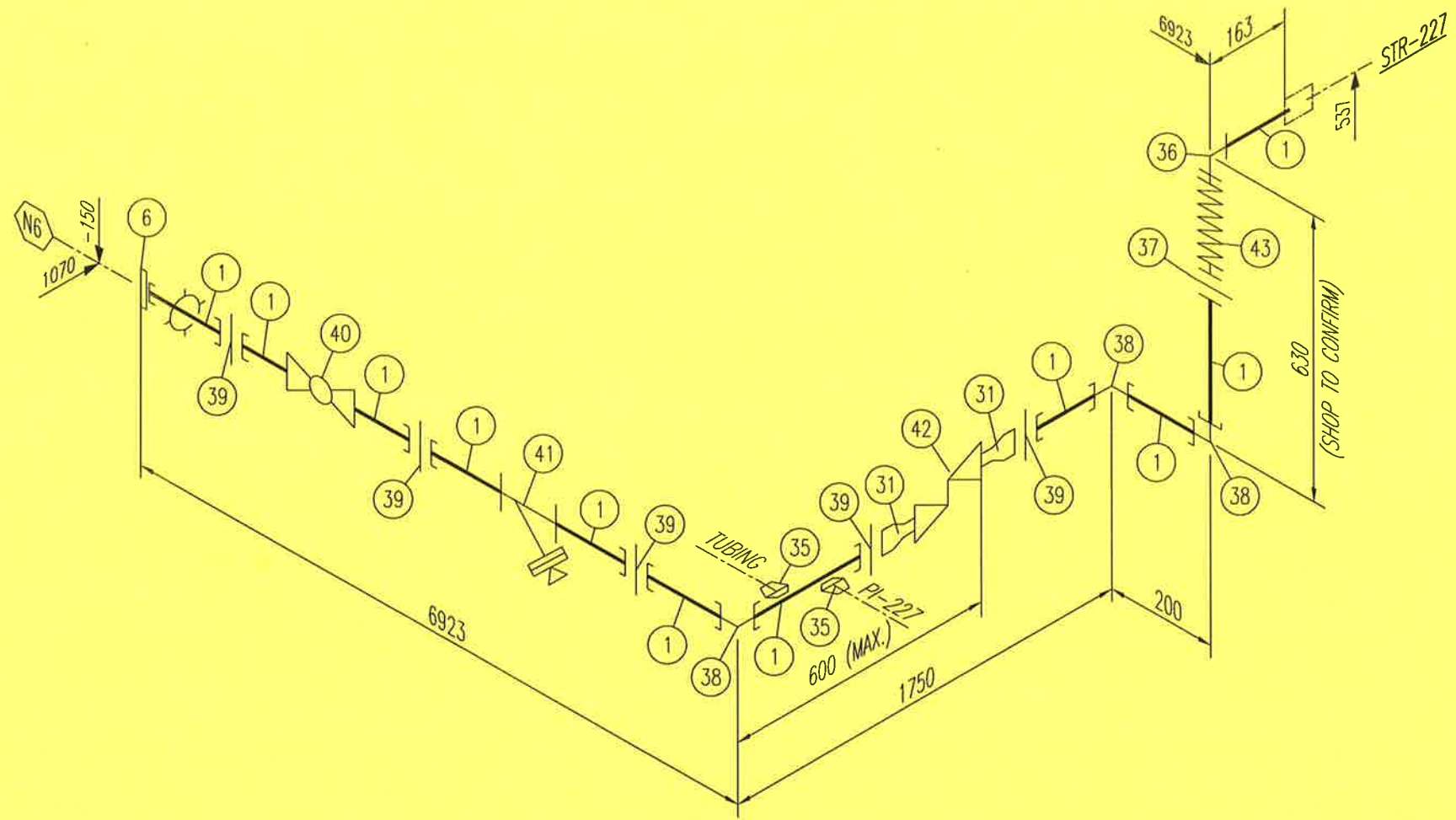
ITEM	QTY	SIZE	RATING	FITTINGS - SCR'D / SW	
35	3	21	6000#	TOL: (ON A 114 OD RUN) SA-105N	
36	1	33	6000#	TOL: (ON A 114 OD RUN) SA-105N	

ITEM	QTY	SIZE	MISCELLANEOUS	

DATE: 2000.05.24 11:48am FILE NAME: J:\jobs99\DWG\99404\Comp\PIP\PIP-99404-151-12.dwg

INSUL : NONE						CODE B31.3	STRESS RELIEF YES
SURF. PREP. :						DESIGN PRES. 1585 kPa	DESIGN TEMP. -28/149 °C
PRIMER : PNT-11						TEST PRES. 2378 kPa	X-RAY 100%
PAIN T :	2	S.F.	00/05/24	RE-DESIGNED	M.I.	WELD PROC'S P.S.L.	P.S.L. P.S.L.
	1	S.F.	00/02/22	ISSUED FOR CONSTRUCTION	M.I.	PROCESS : FLARE GAS	
REV	BY	DATE	DESCRIPTION		CKD APPROVED	ENG APPROVED	

DRAWN	S.FARWELL	PROPAK	
DATE	00/02/15		
CHECKED	M.IWANIUK		
DATE	00/02/22	LINE No. : HPF-001-AS-114	
APPROVED	T.KELLER	TO: SKID EDGE (N3) FROM: PSV-200/202/203	
DATE	00/02/22	DWG No. : B-PIP-99404-151 '12'	



ITM	QTY	SIZE	WT	PIPE	
1	11.3 m	60	5.54	SMLS	SA-106-B

ITM	QTY	SIZE	RATING	SCHEDULE	FLANGES
6	1	60	150#	80	RFSW SA-105

ITM	QTY	SIZE	RATING	GASKETS	

ITM	QTY	SIZE	LENGTH	STUD BOLTS w/ 2 HEX NUTS	

ITM	QTY	SIZE	SCHEDULE	FITTINGS - BW	

ITM	QTY	SIZE	NIPPLES/SWAGES		
31	2	60x48	CONCENTRIC SWAGE80 BLE/80 TSE SMLS		SA-234-WPB

ITM	QTY	SIZE	RATING	FITTINGS - SCR'D / SW	
35	2	21	3000#	TOL: (ON A 60 OD RUN) SA-105	
36	1	60	3000#	ELBOW 90° NPT SA-105	
37	1	60	3000#	UNION: NPT SA-105	
38	3	60	3000#	ELBOW 90° SW SA-105	
39	5	60	3000#	UNION: SW SA-105	

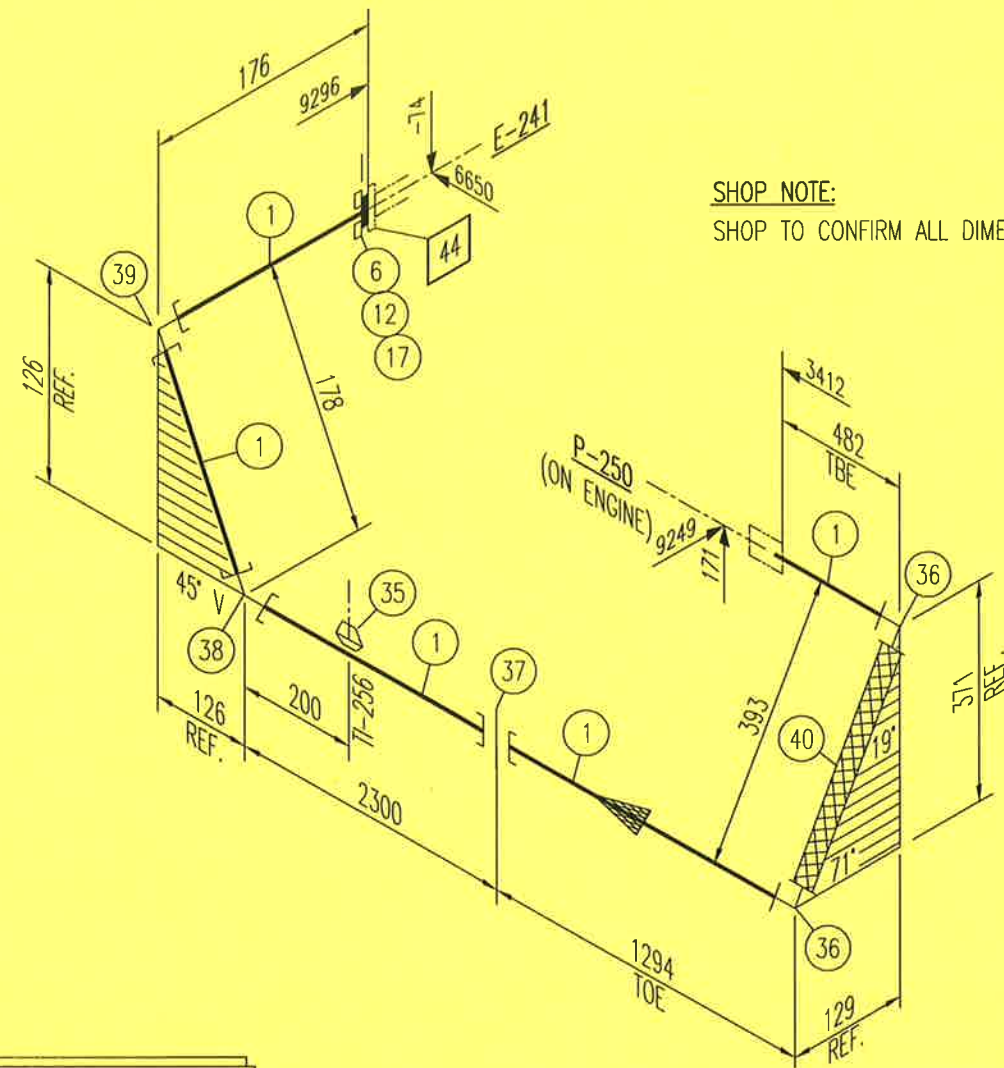
ITM	QTY	SIZE	MISCELLANEOUS		
40	1	60	BA-608	PURCH. BY ENG.	
41	1	60	ST-608	PURCH. BY ENG.	
42	1	48	FCV-227	PURCH. BY ENG.	
43	1	60	FJ-228	PURCH. BY ENG.	

DATE: 2000.05.24 11:48am FILE NAME: J:\jobs99\DWG\99404\Comp\PIP\PIP-99404-151-14.dwg

INSUL : NONE						CODE	B31.3	STRESS RELIEF	NO
SURF. PREP. :						DESIGN PRES.	1034 kPa	DESIGN TEMP.	-28/149 °C
PRIMER : PNT-11						TEST PRES.	1551 kPa	X-RAY	N/A
PAIN T :						WELD PROC'S	P.S.L.	P.S.L.	P.S.L.
	2	S.F.	00/05/24	RE-DESIGNED		CKD		ENG	
	1	S.F.	00/02/22	ISSUED FOR CONSTRUCTION		APPROVED		APPROVED	
	REV	BY	DATE	DESCRIPTION					

DRAWN	S.FARWELL	PROPAK	
DATE	00/02/15		
CHECKED	M.IWNAIUK		
DATE	00/02/22		
APPROVED	T.KELLER		
DATE	00/02/22		
		LINE No. :	FG-007-A-60/FG-008-A-60
		TO:	STR-227
		FROM:	SKID EDGE (N6)
		DWG No. :	B-PIP-99404-151 '14'
		REV	2

PROCESS : START GAS SUPPLY



SHOP NOTE:
SHOP TO CONFIRM ALL DIMENSIONS ON ASSEMBLY.

THIS SPOOL TO BE FLUSHED OUT AT HYDROTEST,
AIR DRIED AND OILED INTERNALLY.

ITM	QTY	SIZE	WT	PIPE	
1	4.7 m	60	5.54	SMLS	SA-106-B

ITM	QTY	SIZE	RATING	SCHEDULE	FLANGES	
6	1	60	150#	-	RFSO	SA-105

ITM	QTY	SIZE	RATING	GASKETS		
12	1	60	150#	3 THK RF SP. WD. FLEX.	STD. FILLER	304SS

ITM	QTY	SIZE	LENGTH	STUD BOLTS w/ 2 HEX NUTS		
17	4	16ø	83	SA-193-B7/SA-194-2H		

ITM	QTY	SIZE	SCHEDULE	FITTINGS - BW		

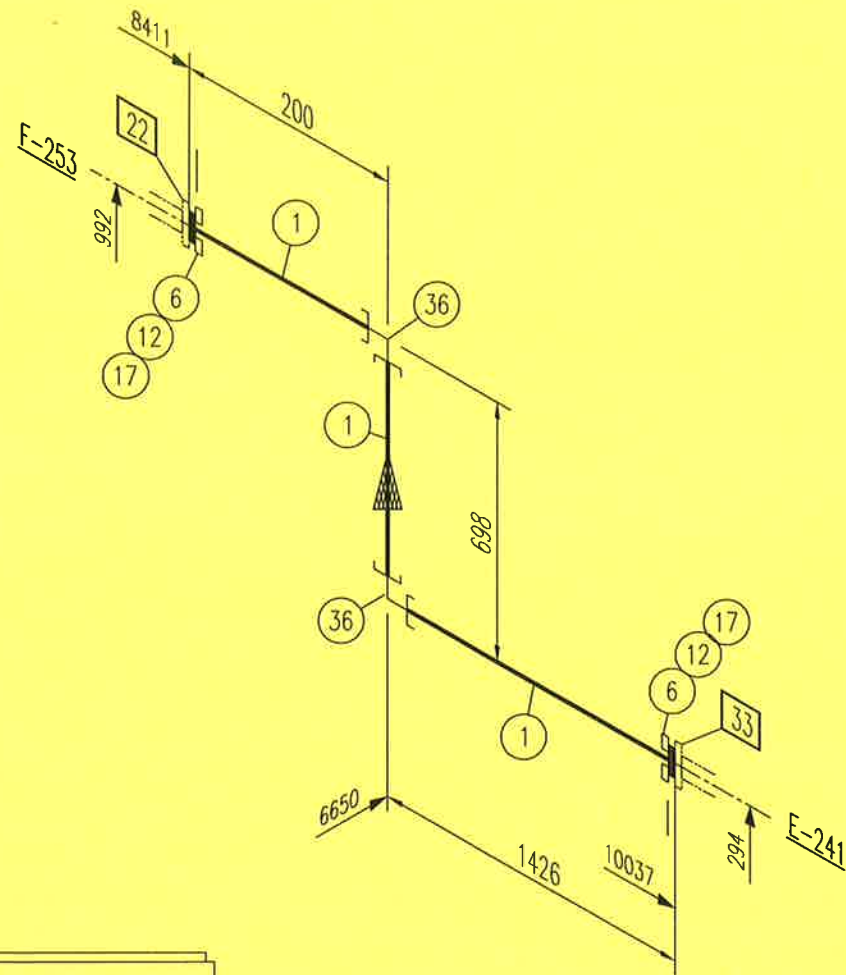
ITM	QTY	SIZE	NIPPLES/SWAGES			

ITM	QTY	SIZE	RATING	FITTINGS - SCR'D / SW		
35	1	27	3000#	TOL: (ON A 60 OD RUN)		SA-105
36	2	60	3000#	ELBOW 90° NPT		SA-105
37	1	60	3000#	UNION: SW		SA-105
38	1	60	3000#	ELBOW 45° SW		SA-105
39	1	60	3000#	ELBOW 90° SW		SA-105

ITM	QTY	SIZE	MISCELLANEOUS			
40	1	60	FJ-251	PURCH. BY ENG.		

DATE: 2000.05.24 11:50am FILE NAME: J:\jobs99\DWG\99404\Comp\PIP\PIP-99404-151-22.dwg

INSUL : NONE						CODE B31.3	STRESS RELIEF NO
SURF. PREP. :						DESIGN PRES. 1585 kPa	DESIGN TEMP. -28/149 °C
PRIMER : PNT-11						TEST PRES. 2379 kPa	X-RAY N/A
PAIN T :	1	S.F.	00/05/18	ISSUED FOR CONSTRUCTION	M. I. 9W	WELD PROC'S P.S.L.	P.S.L.
	REV	BY	DATE	DESCRIPTION	CKD APPROVED	ENG APPROVED	PROCESS : LUBE OIL
DRAWN : S.FARWELL DATE : 00/05/15 CHECKED : DATE : APPROVED : S. Farwell DATE : 05/25/00							
LINE No. : LO-001-A-60 TO: E-241 FROM: P-250 DWG No. : B-PIP-99404-151 '22'							
							REV 1



THIS SPOOL TO BE FLUSHED OUT AT HYDROTEST,
AIR DRIED AND OILED INTERNALLY.

DATE: 2000.05.24 11:50am FILE NAME: J:\jobs99\DWG\99404\Comp\PIP\PIP-99404-151-23.dwg

INSUL : NONE								CODE	B31.3	STRESS RELIEF	NO			
SURF. PREP. :								DESIGN PRES.	1585 kPa	DESIGN TEMP.	-28/149 °C	DRAWN	S.FARWELL	PROPAK
PRIMER : PNT-11								TEST PRES.	2379 kPa	X-RAY	N/A	DATE	00/02/14	
PAIN T :								WELD PROC'S	P.S.L.	P.S.L.	P.S.L.	CHECKED	M.IWANIUK	
	2	S.F.	00/05/24	RE-DESIGNED								DATE	00/02/22	LINE No. : LO-002-A-60
	1	S.F.	00/02/22	ISSUED FOR CONSTRUCTION								APPROVED	T.KELLER	TO: F-253 FROM: E-241
	REV	BY	DATE	DESCRIPTION				CKD APPROVED	ENG	PROCESS : LUBE OIL		DATE	00/02/22	DWG No. : B-PIP-99404-151 '23'

ITM	QTY	SIZE	WT	PIPE	
1	2.5 m	60	5.54	SMLS	SA-106-B

ITM	QTY	SIZE	RATING	SCHEDULE	FLANGES	
6	2	60	150#	-	RFSO	SA-105

ITM	QTY	SIZE	RATING	GASKETS		
12	2	60	150#	3 THK RF SP. WD. FLEX.	STD. FILLER	304SS

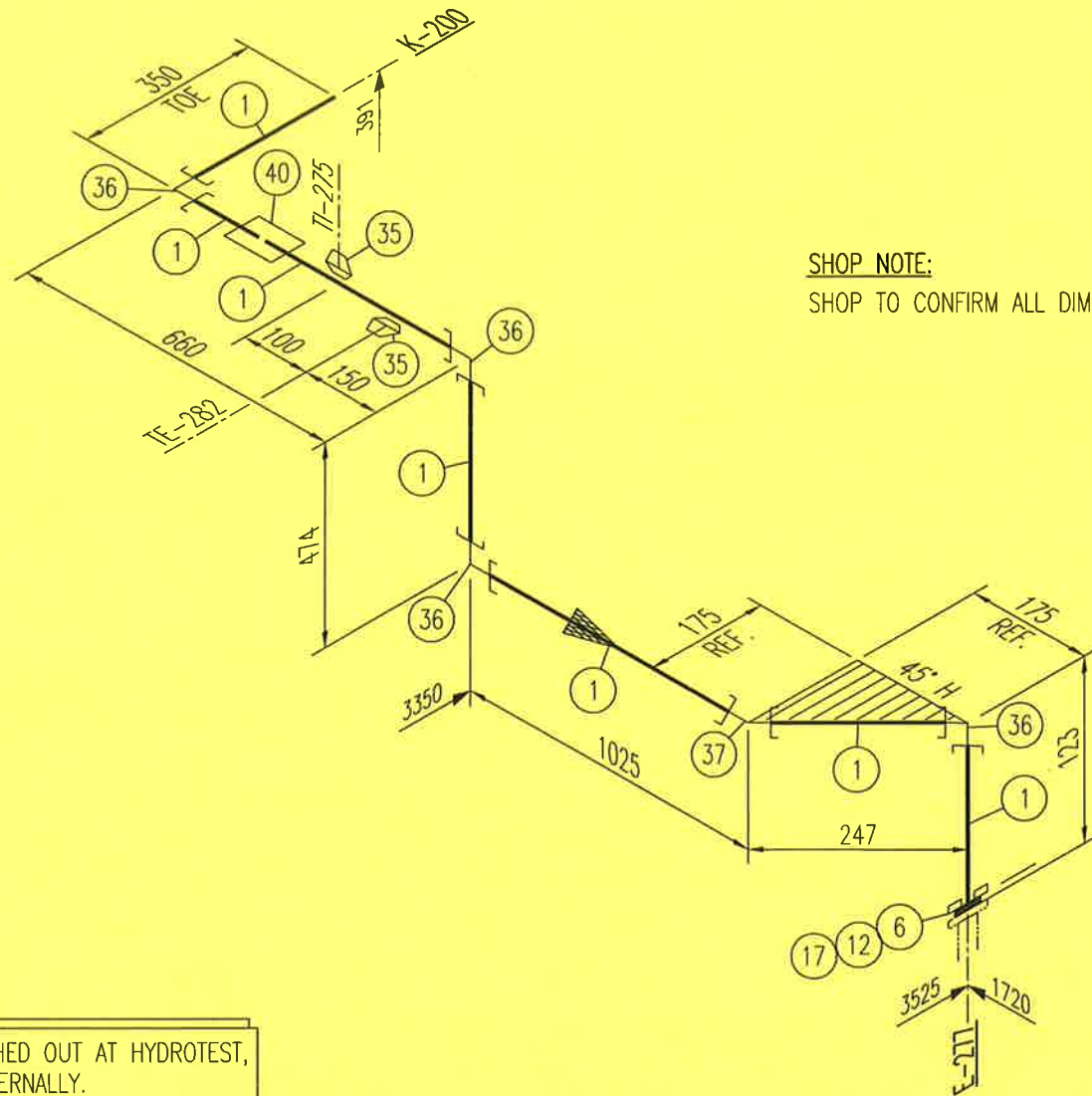
ITM	QTY	SIZE	LENGTH	STUD BOLTS w/ 2 HEX NUTS		
17	8	16ø	83	SA-193-B7/SA-194-2H		

ITM	QTY	SIZE	SCHEDULE	FITTINGS - BW		

ITM	QTY	SIZE	NIPPLES/SWAGES			

ITM	QTY	SIZE	RATING	FITTINGS - SCR'D / SW		
36	2	60	3000#	ELBOW 90° SW		SA-105

ITM	QTY	SIZE	MISCELLANEOUS			



SHOP NOTE:
SHOP TO CONFIRM ALL DIMENSIONS ON ASSEMBLY.

THIS SPOOL TO BE FLUSHED OUT AT HYDROTEST,
AIR DRIED AND OILED INTERNALLY.

ITM	QTY	SIZE	WT	PIPE	
1	3.1 m	60	5.54	SMLS	SA-106-B

ITM	QTY	SIZE	RATING	SCHEDULE	FLANGES	
6	1	89x60	150#	-	RED. FLG. RFSO	SA-105

ITM	QTY	SIZE	RATING	GASKETS		
12	1	89	150#	3 THK RF SP. WD. FLEX.	STD. FILLER	304SS

ITM	QTY	SIZE	LENGTH	STUD BOLTS w/ 2 HEX NUTS		
17	4	16ø	95	SA-193-B7/SA-194-2H		

ITM	QTY	SIZE	SCHEDULE	FITTINGS - BW		

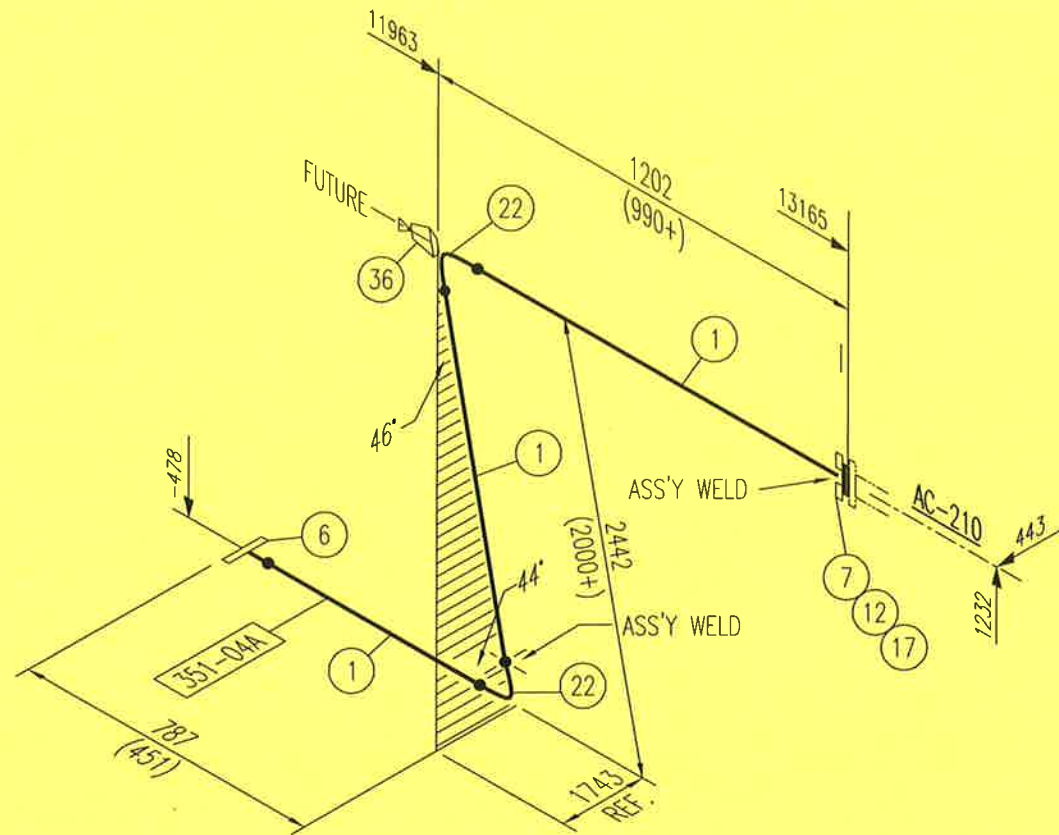
ITM	QTY	SIZE	NIPPLES/SWAGES			

ITM	QTY	SIZE	RATING	FITTINGS - SCR'D / SW		
35	2	27	3000#	TOL: (ON A 60 OD RUN)		SA-105
36	4	60	3000#	ELBOW 90° SW		SA-105
37	1	60	3000#	ELBOW 45° SW		SA-105

ITM	QTY	SIZE	MISCELLANEOUS			
40	1	60	FJ-274	PURCH. BY ENG.		

DATE: 2000.05.24 11:51am FILE NAME: J:\jobs99\DWG\99404\Comp\PIP\PIP-99404-151-27.dwg

INSUL : NONE						CODE B31.3	STRESS RELIEF NO	DRAWN S.FARWELL DATE 00/05/15 CHECKED . DATE . APPROVED . DATE .	PROPAG LINE No. : LO-010-A-60 TO: E-277 FROM: K-200 DWG No. : B-PIP-99404-151 '27'	REV 1
SURF. PREP. :					DESIGN PRES. 1585 kPa	DESIGN TEMP. -28/149 °C				
PRIMER : PNT-11					TEST PRES. 2379 kPa	X-RAY N/A				
PAIN T :	1	S.F.	00/05/24	ISSUED FOR CONSTRUCTION	WELD PROC'S P.S.L.	P.S.L. P.S.L.				
	REV	BY	DATE	DESCRIPTION	CKD APPROVED	ENG APPROVED	PROCESS : LUBE OIL			



+ EXTRA ADDED FOR ASS'Y ADJUSTMENT

THIS SPOOL TO BE FLUSHED OUT AT HYDROTEST,
AIR DRIED AND OILED INTERNALLY.

DATE: 2000.10.10 10:08am FILE NAME: J:\jobs99\DWG\99404\Comp\PIP\PIP-99404-351-04.dwg

INSUL : NONE						CODE	B31.3	STRESS RELIEF	YES				
SURF. PREP. :						DESIGN PRES.	4516 kPa	DESIGN TEMP.	-28/149 °C	DRAWN	G. ZAVALA	PROPAK	
PRIMER : PNT-11						TEST PRES.	6774 kPa	X-RAY	100%	DATE	00/10/10		
PAIN T :						WELD PROC'S	P.S.L.	P.S.L.	P.S.L.	CHECKED	G. ZAVALA	LINE No. :	P-004-BS-168
	1	G.Z.	00/10/10	ISSUED FOR CONSTRUCTION		APPROVED				DATE	00/10/10	TO:	V-110
	REV	BY	DATE	DESCRIPTION		APPROVED	CKD	ENG		DATE	00/10/10	FROM:	AC-210
												DWG No. :	B-PIP-99404-351 '04'
													REV 1

ITM	QTY	SIZE	WT	PIPE		
1	3.8 m	168	7.11	SMLS		SA-106-B

ITM	QTY	SIZE	RATING	SCHEDULE	FLANGES	
6	1	168	300#	40	RFWN	SA-105N
7	1	168	600#	-	RFSO	SA-105N

ITM	QTY	SIZE	RATING	GASKETS		
12	1	168	600#	3 THK RF SP. WD. FLEX.	STD. FILLER	316SS

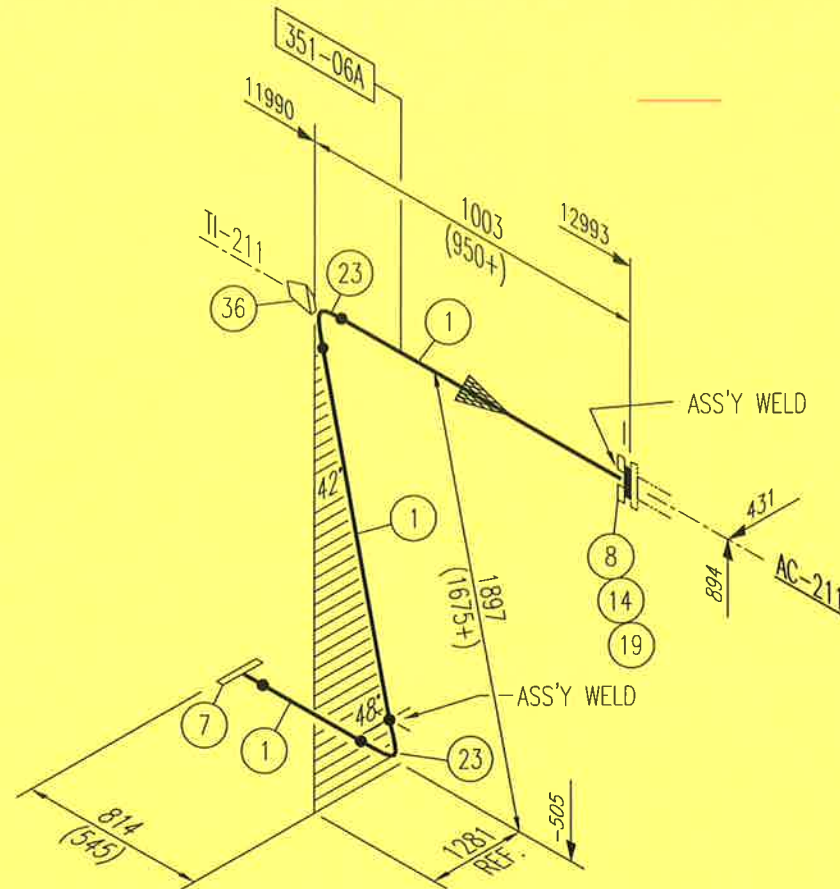
ITM	QTY	SIZE	LENGTH	STUD BOLTS w/ 2 HEX NUTS		
17	12	25 Ø	171	SA-193-B7M/SA-194-2HM		

ITM	QTY	SIZE	SCHEDULE	FITTINGS - BW		
22	2	168	40	ELBOW 90° LR SMLS		SA-234-WPB

ITM	QTY	SIZE	NIPPLES/SWAGES			

ITM	QTY	SIZE	RATING	FITTINGS - SCR'D / SW		
36	1	27	6000#	EOL: ON A 168 OD RUN c/w PLUG		SA-105N

ITM	QTY	SIZE	MISCELLANEOUS			



+ EXTRA ADDED FOR ASS'Y ADJUSTMENT

THIS SPOOL TO BE FLUSHED OUT AT HYDROTEST,
AIR DRIED AND OILED INTERNALLY.

DATE: 2000.10.10 10:08am FILE NAME: J:\jobs99\DWG\99404\Comp\PIP\PIP-99404-351-06.dwg

INSUL : NONE						CODE	B31.3	STRESS RELIEF	YES	DRAWN G. ZAVALA DATE 00/10/10 CHECKED G. ZAVALA DATE 00/10/10 APPROVED A. W. [Signature] DATE 00/10/10	PROPAK	
SURF. PREP. :					DESIGN PRES.	8908 kPa	DESIGN TEMP.	-28/176 °C				
PRIMER : PNT-12					TEST PRES.	13362 kPa	X-RAY	100%				
PAIN T :					WELD PROC'S	P.S.L. P.S.L.	P.S.L. P.S.L.					
	1	G.Z.	00/10/10	ISSUED FOR CONSTRUCTION	CKD	ENG	APPROVED	PROCESS : PROCESS GAS		LINE No. : P-006-CS-114	TO: AC-211	FROM: V-124
	REV	BY	DATE	DESCRIPTION						DWG No. : B-PIP-99404-351 '06'		REV 1

ITM	QTY	SIZE	WT	PIPE		
1	3.5 m	114	8.56	SMLS		SA-106-B

ITM	QTY	SIZE	RATING	SCHEDULE	FLANGES	
7	1	114	600#	80	RFWN	SA-105N
8	1	114	900#	-	RFSO	SA-105N

ITM	QTY	SIZE	RATING	GASKETS		
14	1	114	900#	3 THK RF SP. WD. FLEX.	STD. FILLER	316SS

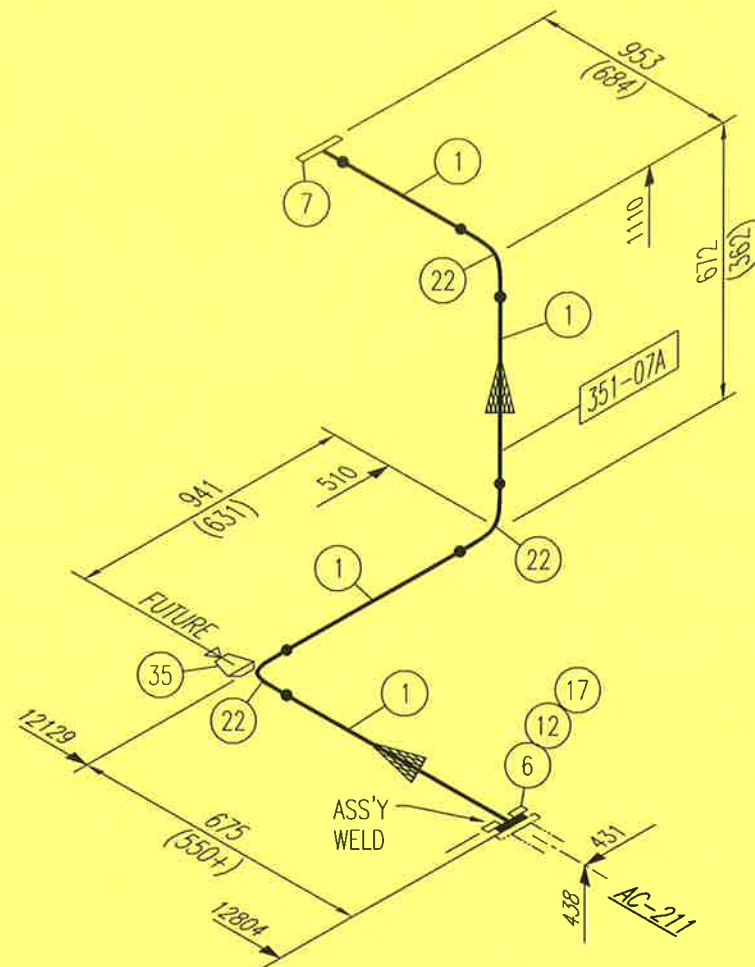
ITM	QTY	SIZE	LENGTH	STUD BOLTS w/ 2 HEX NUTS		
19	8	29 ø	171	SA-193-B7M/SA-194-2HM		

ITM	QTY	SIZE	SCHEDULE	FITTINGS - BW		
23	2	114	80	ELBOW 90° LR SMLS		SA-234-WPB

ITM	QTY	SIZE	NIPPLES/SWAGES			

ITM	QTY	SIZE	RATING	FITTINGS - SCR'D / SW		
36	1	27	6000#	EOL: (ON A 114 OD RUN)		SA-105N

ITM	QTY	SIZE	MISCELLANEOUS			



+ EXTRA ADDED FOR ASS'Y ADJUSTMENT

THIS SPOOL TO BE FLUSHED OUT AT HYDROTEST,
AIR DRIED AND OILED INTERNALLY.

DATE: 2000.10.10 10:08am FILE NAME: J:\jobs99\DWG\99404\Comp\PIP\PIP-99404-351-07.dwg

INSUL : NONE						CODE	B31.3	STRESS RELIEF	YES	DRAWN G. ZAVALA DATE 00/10/10 CHECKED G. ZAVALA DATE 00/10/10 APPROVED S. WILK DATE 00/10/10	PROPAG
SURF. PREP. :					DESIGN PRES.	9067 kPa	DESIGN TEMP.	-28/149 °C			
PRIMER : PNT-11					TEST PRES.	13601 kPa	X-RAY	100%			
PAINT :					WELD PROC'S	P.S.L. P.S.L.	P.S.L. P.S.L.				
	1	G.Z.	00/10/10	ISSUED FOR CONSTRUCTION	CKD	ENG	APPROVED			LINE No. : P-007-CS-114	
	REV	BY	DATE	DESCRIPTION				PROCESS : PROCESS GAS		TO: V-120	FROM: AC-211
										DWG No. : B-PIP-99404-351 '07'	REV 1

ITM	QTY	SIZE	WT	PIPE		
1	2.5 m	114	8.56	SMLS		SA-106-B

ITM	QTY	SIZE	RATING	SCHEDULE	FLANGES	
6	1	114	900#	-	RFSO	SA-105N
7	1	114	600#	80	RFWN	SA-105N

ITM	QTY	SIZE	RATING	GASKETS		
12	1	114	900#	3 THK RF SP. WD. FLEX.	STD. FILLER	316SS

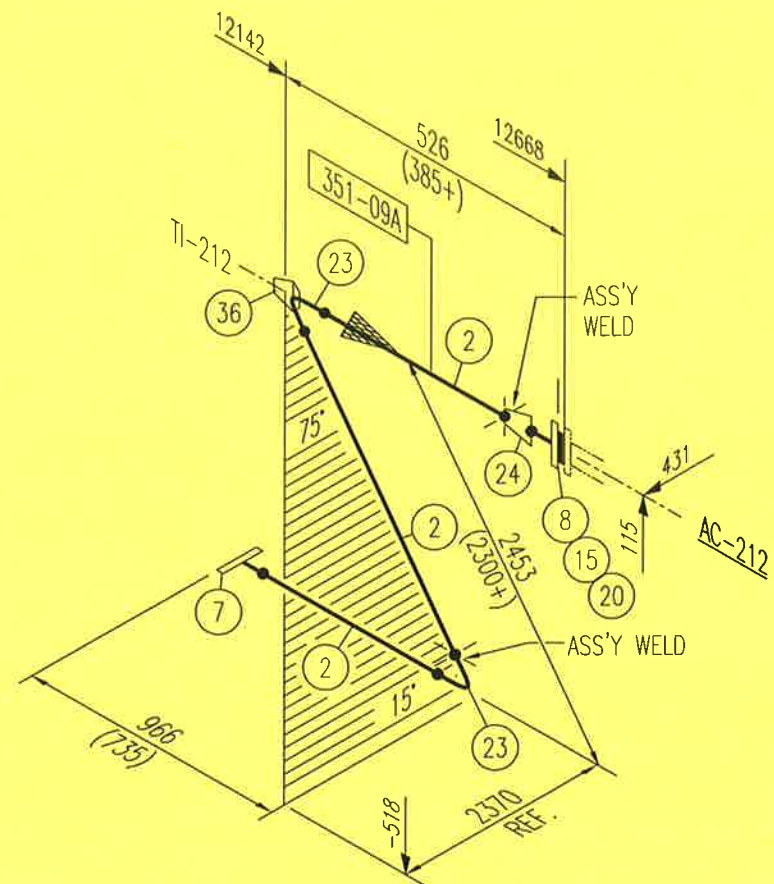
ITM	QTY	SIZE	LENGTH	STUD BOLTS w/ 2 HEX NUTS		
17	8	29ø	171	SA-193-B7M/SA-194-2HM		

ITM	QTY	SIZE	SCHEDULE	FITTINGS - BW		
22	3	114	80	ELBOW 90° LR		SA-234-WPB

ITM	QTY	SIZE	NIPPLES/SWAGES			

ITM	QTY	SIZE	RATING	FITTINGS - SCR'D / SW		
35	1	27	6000#	EOL: (ON A 114 OD RUN) c/w PLUG NPT		SA-105N

ITM	QTY	SIZE	MISCELLANEOUS			



+ EXTRA ADDED FOR ASS'Y ADJUSTMENT

THIS SPOOL TO BE FLUSHED OUT AT HYDROTEST,
AIR DRIED AND OILED INTERNALLY.

DATE: 2000.10.10 10:09am FILE NAME: J:\jobs99\DWG\99404\Comp\PIP\PIP-99404-351-09.dwg

INSUL : NONE						CODE	B31.3	STRESS RELIEF	YES	DRAWN G. ZAVALA DATE 00/10/10 CHECKED G. ZAVALA DATE 00/10/10 APPROVED D. Wick DATE 00/10/10	PROPAG
SURF. PREP. :					DESIGN PRES.	11377 kPa	DESIGN TEMP.	-28/176 °C			
PRIMER : PNT-12					TEST PRES.	17066 kPa	X-RAY	100%			
PAIN T :					WELD PROC'S	P.S.L. P.S.L.	P.S.L. P.S.L.				
	1	G.Z.	00/10/10	ISSUED FOR CONSTRUCTION	CKD	ENG	APPROVED	PROCESS : PROCESS GAS	LINE No. : P-009-DS-89	TO: AC-212	FROM: V-126
	REV	BY	DATE	DESCRIPTION					DWG No. : B-PIP-99404-351 '09'		REV 1

ITM	QTY	SIZE	WT	PIPE		
2	8.3 m	89	7.62	SMLS		SA-106-B

ITM	QTY	SIZE	RATING	SCHEDULE	FLANGES	
7	1	89	900#	80	RFWN	SA-105N
8	1	114	1500#	80	RFWN	SA-105N

ITM	QTY	SIZE	RATING	GASKETS		
15	1	114	1500#	3 THK RF SP. WD. FLEX. STD. FILLER c/w 97.18 ID INNER RING 316SS		

ITM	QTY	SIZE	LENGTH	STUD BOLTS w/ 2 HEX NUTS		
20	8	32 φ	197	SA-193-B7M/SA-194-2HM		

ITM	QTY	SIZE	SCHEDULE	FITTINGS - BW		
23	2	89	80	ELBOW 90° LR SMLS		SA-234-WPB
24	1	114x89	80	CONCENTRIC REDUCER SMLS		SA-234-WPB

ITM	QTY	SIZE	NIPPLES/SWAGES			

ITM	QTY	SIZE	RATING	FITTINGS - SCR'D / SW		
36	1	27	6000#	EOL: (ON A 89 OD RUN) NPT		SA-105N

ITM	QTY	SIZE	MISCELLANEOUS			

