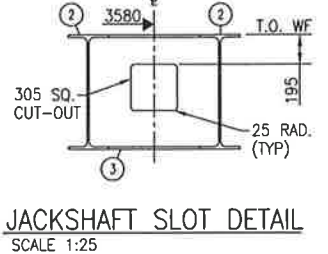
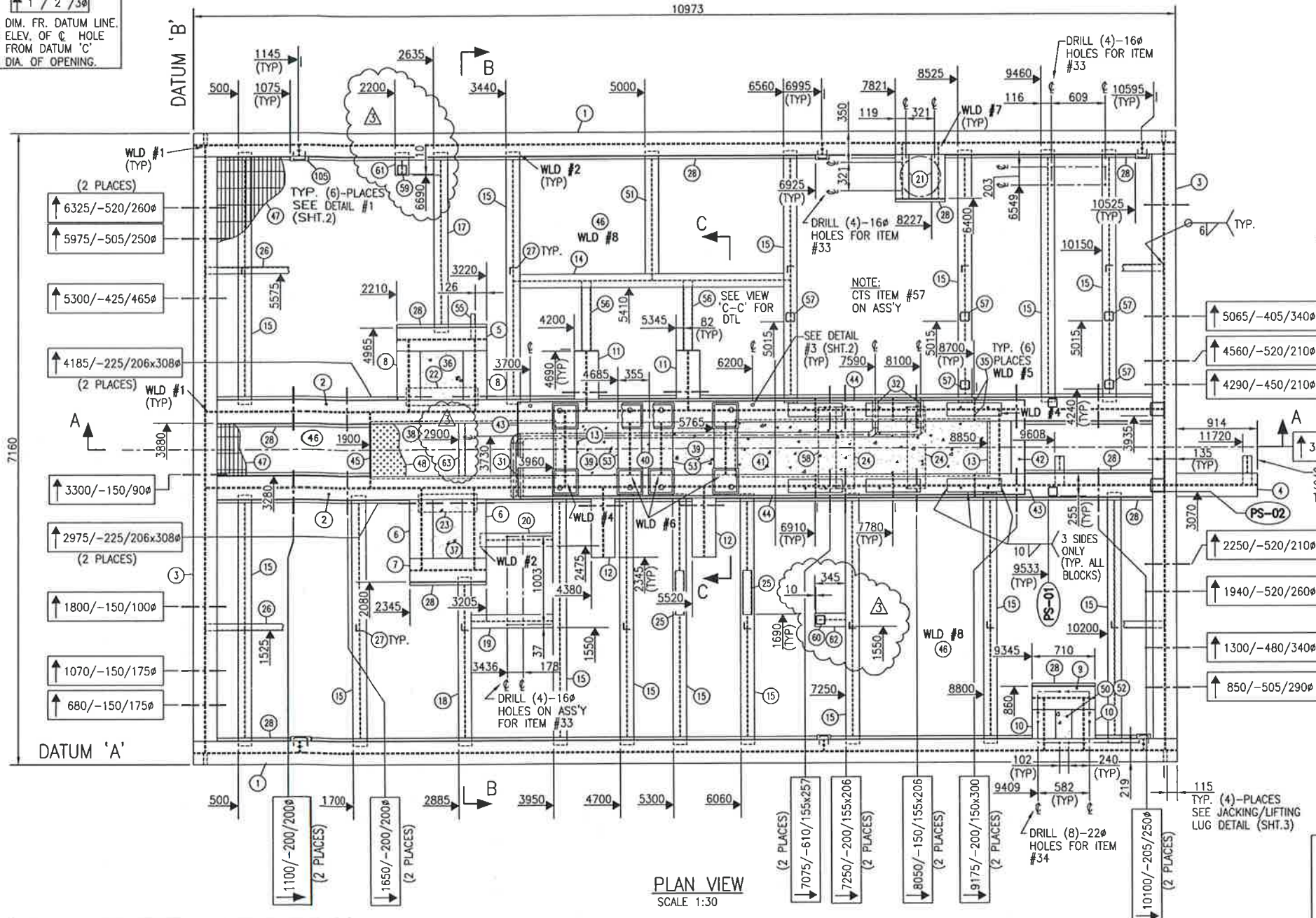


THIS DRAWING AND THE DESIGN IT COVERS ARE CONFIDENTIAL AND THE PROPERTY OF PROPAK SYSTEMS LTD. AND SHALL NOT BE DISCLOSED TO OTHERS OR REPRODUCED IN ANY MANNER OR USED FOR ANY PURPOSE WHATSOEVER EXCEPT BY WRITTEN CONSENT OF PROPAK.

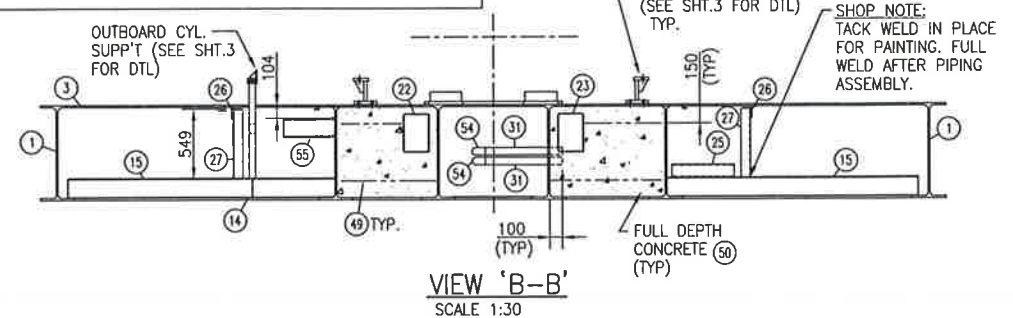
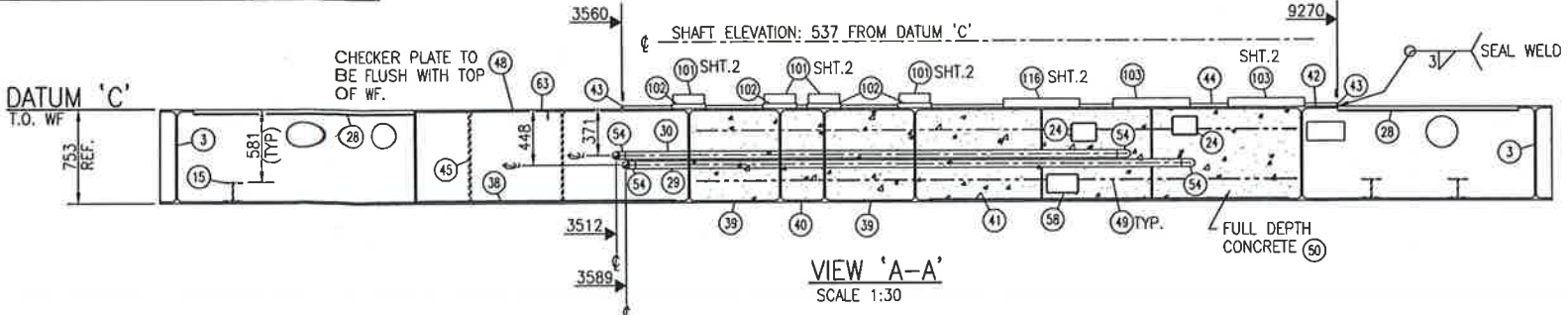
- 1 / 2 / 3
1. DIM. FR. DATUM LINE.
 2. ELEV. OF C HOLE FROM DATUM 'C'.
 3. DIA. OF OPENING.



BILL OF MATERIAL			
ITEM	QUA	DESCRIPTION	
1	2	W760 x 147 x 10973 LG.	G40.21M-300W
2	2	W760 x 147 x 10695 LG.	G40.21M-300W
3	2	W760 x 147 x 6880 LG.	G40.21M-300W
4	1	W760 x 147 x 1040 LG.	G40.21M-300W
5	1	W760 x 147 x 1010 LG.	G40.21M-300W
6	2	W760 x 147 x 920 LG.	G40.21M-300W
7	1	W760 x 147 x 860 LG.	G40.21M-300W
8	2	W760 x 147 x 805 LG.	G40.21M-300W
9	1	W760 x 147 x 710 LG.	G40.21M-300W
10	2	W760 x 147 x 580 LG.	G40.21M-300W
11	2	W760 x 147 x 670 LG.	G40.21M-300W
12	2	W760 x 147 x 795 LG.	G40.21M-300W
13	2	W760 x 147 x 850 LG.	G40.21M-300W
14	1	W150 x 22 x 3114 LG.	G40.21M-300W
15	15	W150 x 22 x 2900 LG.	G40.21M-300W
16			
17	1	W150 x 22 x 2080 LG.	G40.21M-300W
18	1	W150 x 22 x 1965 LG.	G40.21M-300W
19	1	W150 x 22 x 913 LG.	G40.21M-300W
20	1	W150 x 22 x 820 LG.	G40.21M-300W
21	2	W150 x 22 x 620 LG.	G40.21M-300W
22	1	HSS: 203 x 305 x 6 THK. x 810 LG.	G40.21M-350W
23	1	HSS: 203 x 305 x 6 THK. x 660 LG.	G40.21M-350W
24	2	HSS: 152 x 203 x 6 THK. x 930 LG.	G40.21M-350W
25	2	HSS: 102 x 102 x 6 THK. x 500 LG.	G40.21M-350W
26	2	L 76 x 76 x 6 THK. x 10695 LG.	G40.21M-300W
27	12	L 76 x 76 x 6 THK. x 543 LG.	G40.21M-300W
28	1	L 38 x 38 x 6 THK. x 50000 LG. (CTS)	G40.21M-300W
29	1	PIPE: 60 O/D x 5.54 W.T. x 4353 LG.	SMLS SA-106-B
30	1	PIPE: 60 O/D x 5.54 W.T. x 3920 LG.	SMLS SA-106-B
31	2	PIPE: 60 O/D x 5.54 W.T. x 690 LG.	SMLS SA-106-B
32	2	PIPE: 60 O/D x 5.54 W.T. x 390 LG.	SMLS SA-106-B
33	12	BOLTS: 13# x 51 LG. c/w (1) HEX NUT EACH (ZINC COATED)	SA-325
34	8	BOLTS: 19# x 64 LG. c/w (1) HEX NUT EACH (ZINC COATED)	SA-325
35	12	PLATE: 13 THK. x 125 x 716 LG.	SA-36
36	1	PLATE: 6 THK. x 480 x 555 LG.	SA-36
37	1	PLATE: 6 THK. x 330 x 670 LG.	SA-36
38	1	PLATE: 6 THK. x 650 x 2085 LG.	SA-36
39	2	PLATE: 6 THK. x 460 x 600 LG.	SA-36
40	1	PLATE: 6 THK. x 90 x 600 LG.	SA-36
41	1	PLATE: 6 THK. x 650 x 2870 LG.	SA-36
42	1	PLATE: 6 THK. x 155 x 600 LG.	SA-36
43	2	F/BAR: 6 THK. x 25 x 1110 LG.	G40.21M-300W
44	2	F/BAR: 6 THK. x 25 x 5695 LG.	G40.21M-300W
45	2	PLATE: 13 THK. x 753 x 850 LG. (CTS)	SA-36
46	2	SEAL PLATE: 5 THK. x 2750 x 11050 LG.	SA-36
47	1	GRATING: 32 x 5 (19-4) x 914 WD. x 73200 LG. (CTS)	C.S.
48	1	CHK'R PLATE: 6 THK. x 600 x 2055 LG.	SA-36
49	30m	REBAR: 15M	GRADE 300
50	3.9m3	CONCRETE: 20 MPa	
51	1	W150 x 22 x 1408 LG.	G40.21M-300W
52	1	PLATE: 6 THK. x 180 x 330 LG.	SA-36
53	3	W760 x 147 x 600 LG.	G40.21M-300W
54	4	ELBOW: 60 O/D 90° LR SCH 80 BW	SMLS SA-234-WPB
55	1	C 150 x 16 x 280 LG.	G40.21M-300W
56	2	HSS: 102 x 102 x 6 THK. x 783 LG.	G40.21M-350W
57	5	HSS: 102 x 102 x 6 THK. x 100 LG.	G40.21M-350W
58	1	HSS: 152 x 254 x 6 THK. x 930 LG.	G40.21M-350W
59	1	HSS: 102 x 102 x 6 THK. x 247 LG.	G40.21M-350W
60	1	HSS: 102 x 102 x 6 THK. x 307 LG.	G40.21M-350W
61	1	W150 x 22 x 280 LG.	G40.21M-300W
62	1	W150 x 22 x 345 LG.	G40.21M-300W
63	1	L 76 x 76 x 6 THK. x 600 LG.	G40.21M-300W

- SHOP NOTES:**
1. 9mm ALLOWED FOR SHIMMING ENGINE
 2. ALL RE-BAR TO BE SPACED AT 300 mm CENTERS.
 3. SHOP TO ENSURE THAT ALL WELDS ON BOTTOM OF SKID ARE GROUND FLUSH.

- GENERAL NOTES:**
1. APPROX. WEIGHT OF SKID: STEEL: 21,950 KG (NOT INCL. CRANE) CONCRETE: 9400 KG
 2. COPE MEMBERS WHERE SHOWN.
 3. CUT LENGTHS ARE EXACT WITH TOLERANCE OF +0/-3
 4. ALL WELDS TO BE 6 mm CONTINUOUS FILLET USING E-7018 OR E-70-T SEMI-AUTOMATIC ELECTRODES UNLESS NOTED OTHERWISE.
 5. REMOVE ALL SHARP EDGES AND BURRS.
 6. DRILL ALL HOLES <38#, FLAME CUT LARGER HOLES.
 7. ALL DIMENSIONS ARE IN MILLIMETRES.
 8. FINISH WITH PAINT SPEC.: PNT-11
 9. SEE SHT. 2 FOR WELD DETAILS



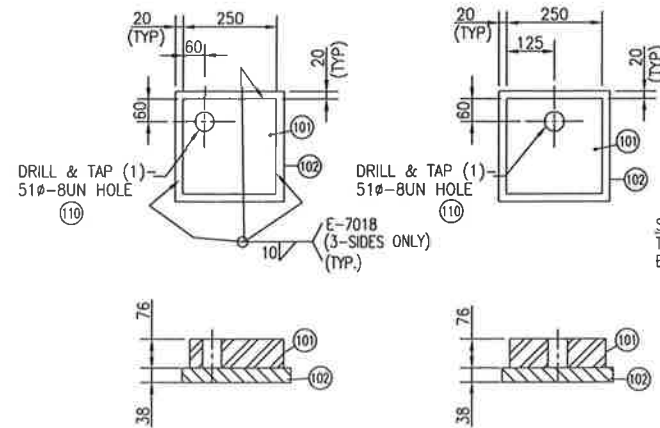
GENERAL NOTES		GENERAL NOTES		REVISION	
3	ADDED ITEMS #59 THRU #63	S.FARWELL	00/05/29	M.L.	S.W.
2	ADDED JACKING/LIFTING LUG LOCATIONS/MOVED JACKSHAFT SUPPORT LOCATIONS	S.FARWELL	00/05/17	S.L.	S.W.
1	ISSUED FOR CONSTRUCTION	S.FARWELL	00/05/09	S.L.	S.W.

APPROVED		DRAWN	
MECH./STRUCT.		BY	S.FARWELL
DATE		DATE	00/04/25
ELECTRICAL		CHECKED	
DATE		BY	S.LESLIE
PROJECT	S.WARD	DATE	00/05/09
DATE	00/05/09	SCALE	AS NOTED

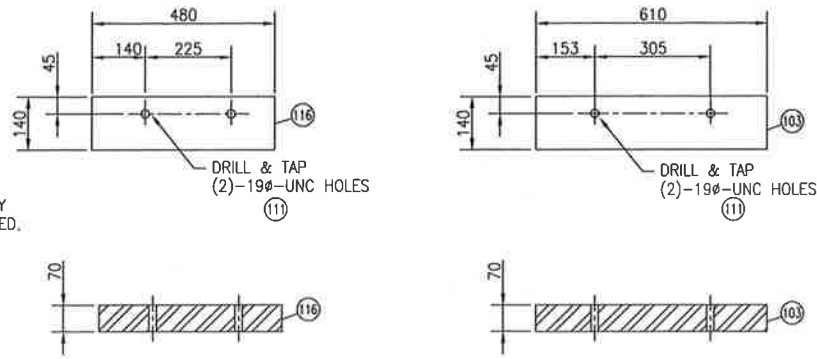
DWG. No.: D-SKD-99404-114A		SHEET 1 OF 4		REV. 3
----------------------------	--	--------------	--	--------

PROPAK
440 East Lako Road,
Postal Bag #2
Airdrie, Alberta
Canada T4B 2C3

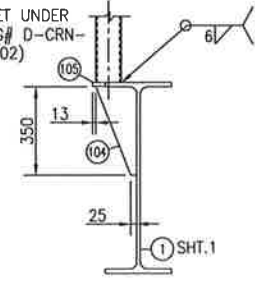
THIS DRAWING AND THE DESIGN IT COVERS ARE CONFIDENTIAL AND THE PROPERTY OF PROPAK SYSTEMS LTD., AND SHALL NOT BE DISCLOSED TO OTHERS OR REPRODUCED IN ANY MANNER OR USED FOR ANY PURPOSE WHATSOEVER EXCEPT BY WRITTEN CONSENT OF PROPAK



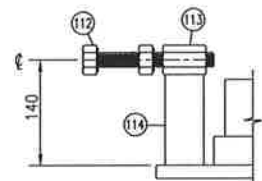
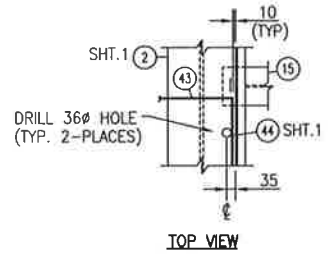
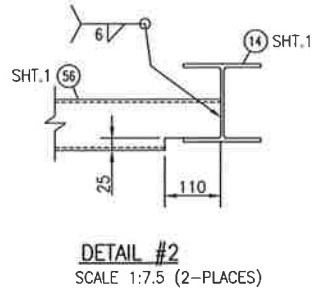
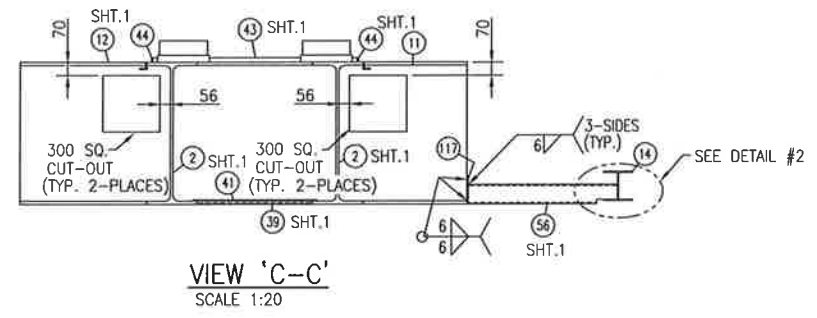
SHOP NOTE:
TOP SURFACE OF BLOCKS MAY
BE MACHINED FLAT IF REQUIRED.



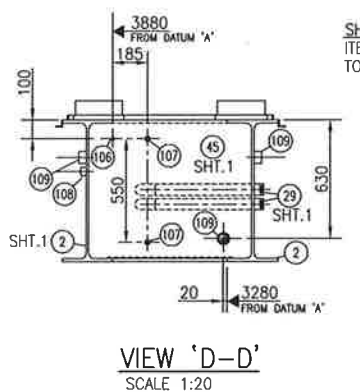
CENTER GUSSET UNDER
HSS (SEE DWG# D-CRN-
99404-114B-02)



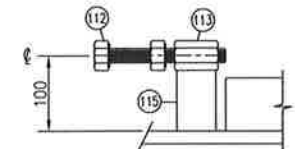
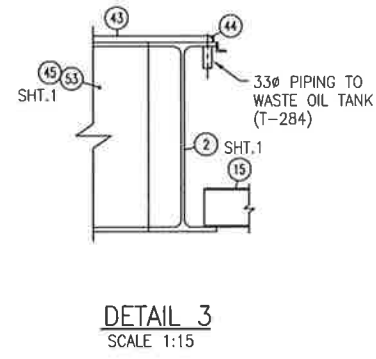
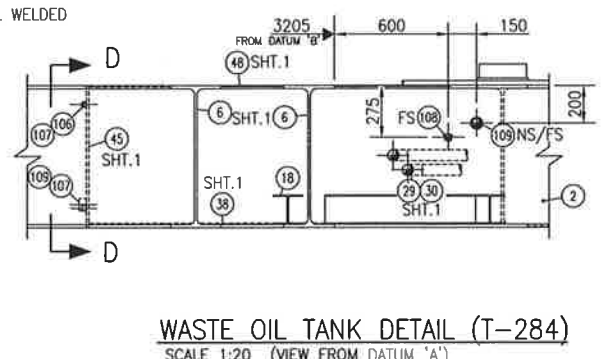
BILL OF MATERIAL		
ITEM	QUA	DESCRIPTION
101	8	PLATE: 76 THK. x 250 SQ. (SEE DETAIL)
102	8	PLATE: 38 THK. x 290 SQ.
103	4	PLATE: 70 THK. x 140 x 610 LG. (SEE DETAIL)
104	6	PLATE: 13 THK. x 163 x 350 LG. (CTS)
105	6	F/BAR: 16 THK. x 51 x 152 LG. G40.21M-300W
106	1	HALF CPLG: 14-3000# NPT SA-105
107	2	HALF CPLG: 21-3000# NPT SA-105
108	1	HALF CPLG: 33-3000# NPT SA-105
109	3	HALF CPLG: 48-3000# NPT SA-105
110	8	BOLTS: 51#-8UN x 159 LG. FULL THREAD c/w (1) WASHER EA. SA-193-B7
111	12	BOLTS: 19#-UNC x 89 LG. FULL THREAD c/w (1) WASHER EA. SA-193-B7
112	16	BOLTS: 19# x 152 LG. FULL THREAD c/w (1) NUT EA. (ZINC COATED) SA-193-B7
113	16	COUPLING NUT: 19# x 57 LG. HEX HEAD SA-307
114	8	F/BAR: 13 THK. x 51 x 172 LG. (CTS) G40.21M-300W
115	8	F/BAR: 13 THK. x 51 x 135 LG. (CTS) G40.21M-300W
116	2	PLATE: 70 THK. x 140 x 480 LG. (SEE DETAIL) SA-36
117	2	F/BAR: 10 THK. x 152 x 265 LG. G40.21M-300W



NOTE:
LOCATE JACK SCREWS ON ASSEMBLY



SHOP NOTE:
ITEM #38 & #48 TO BE SEAL WELDED
TO ITEMS # 13 & #45.

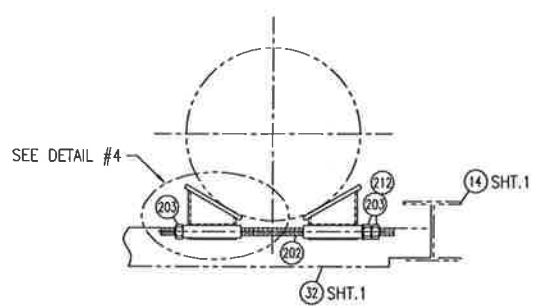


1. MAIN/CORNER JOINT	2. SLEEPER JOINT	3. PIPE/H.S.S. SLEEVE	4. CONCRETE BARRIER	5. GUSSET DETAIL	6. COMMUN. CHAMBER	7. EQUIP. SUPPORT	8. SEAL PAN
----------------------	------------------	-----------------------	---------------------	------------------	--------------------	-------------------	-------------

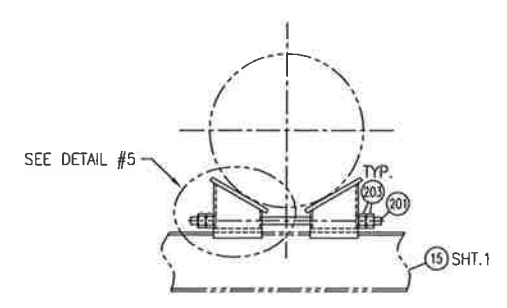
GENERAL NOTES		REVISION		APPROVED		DRAWN	
1. ISSUED FOR CONSTRUCTION		BY	DATE	BY	DATE	PROPAK	
		S. FARWELL	00/05/09	S. LESLIE	00/04/28	1478 HP STOCK COMPRESSOR	
						SKID STEEL	
						DETAILS	
						DWG. No.: D-SKD-99404-114A SHEET 2 OF 4 REV. 1	

PROPAK
440 East Lake Road,
Postal Bag #2
Airdrie, Alberta
Canada T4B 2C3

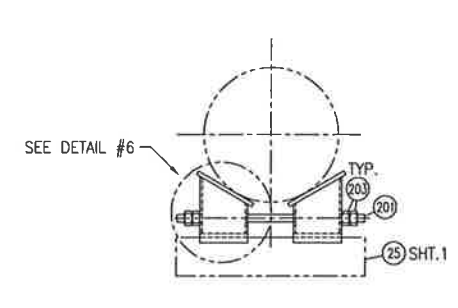
THIS DRAWING AND THE DESIGN IT COVERS ARE CONFIDENTIAL AND THE PROPERTY OF PROPAC SYSTEMS LTD. AND SHALL NOT BE DISCLOSED TO OTHERS OR REPRODUCED IN ANY MANNER OR USED FOR ANY PURPOSE WHATSOEVER EXCEPT BY WRITTEN CONSENT OF PROPAC.



V-122 WEDGE ASSEMBLY
SCALE 1:10



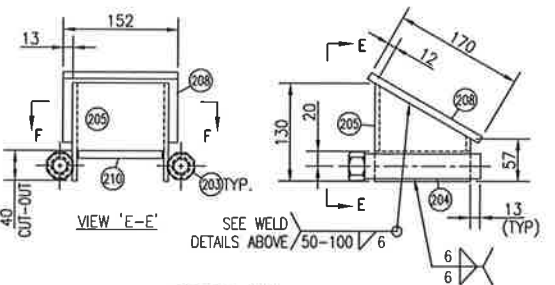
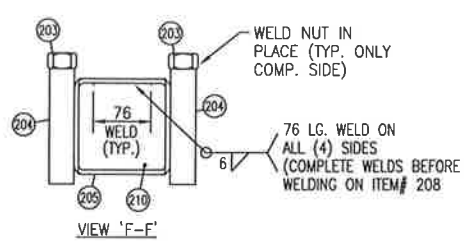
V-124 WEDGE ASSEMBLY
SCALE 1:10



V-126 WEDGE ASSEMBLY
SCALE 1:10

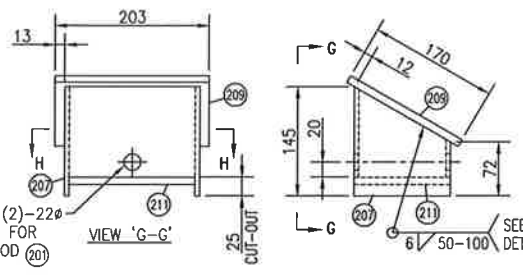
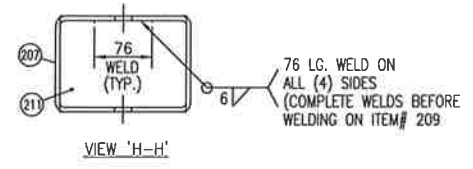


JACKING/LIFTING LUG DETAIL
SCALE 1:10 (4-REQUIRED)

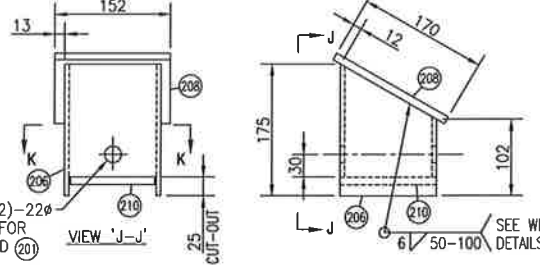
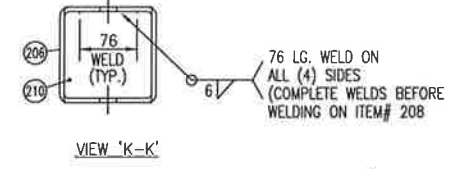


DETAIL #4
SCALE 1:5 (4 REQUIRED)

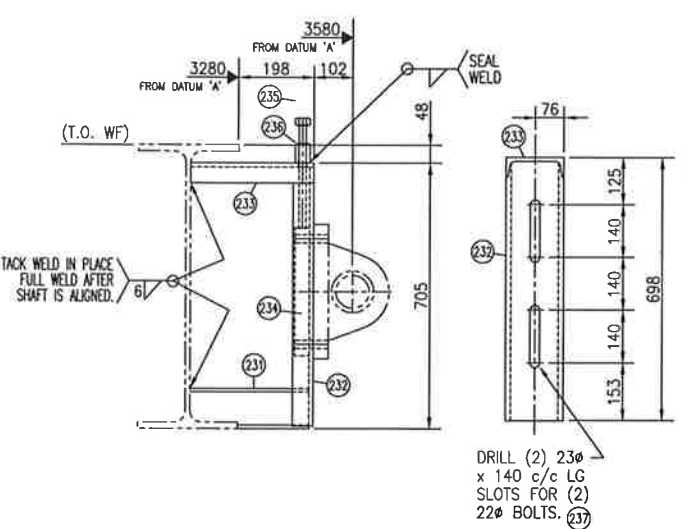
SHOP NOTE: ENSURE SLEEVES (ITEMS #204) ARE ALIGNED FOR EASY ROD TRAVEL.



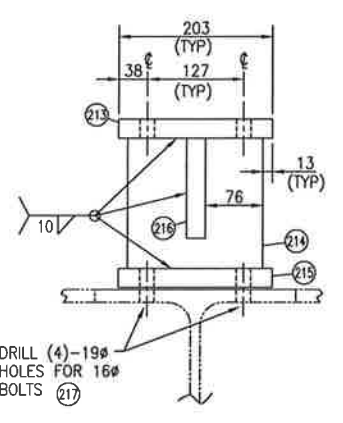
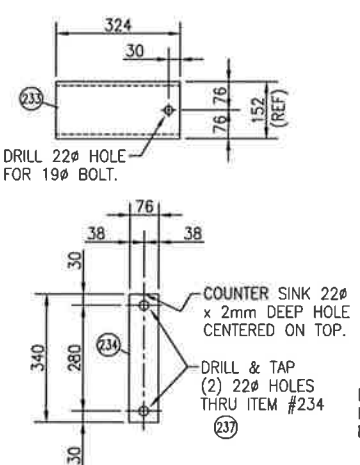
DETAIL #5
SCALE 1:5 (4-REQUIRED)



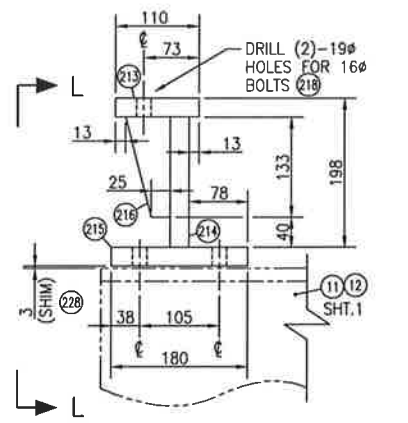
DETAIL #6
SCALE 1:5 (4-REQUIRED)



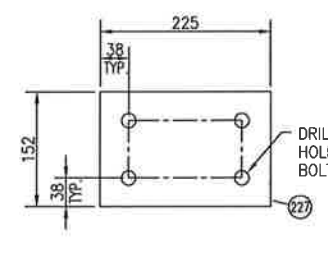
JACKSHAFT SUPPORT DETAILS
SCALE 1:10 (2 REQUIRED)



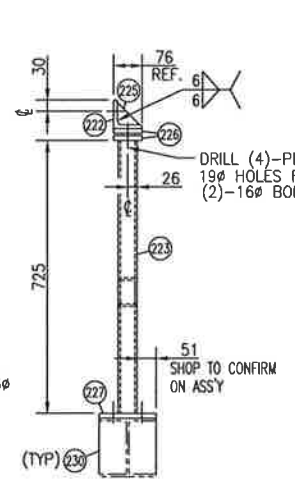
VIEW 'L-L'
SCALE 1:5



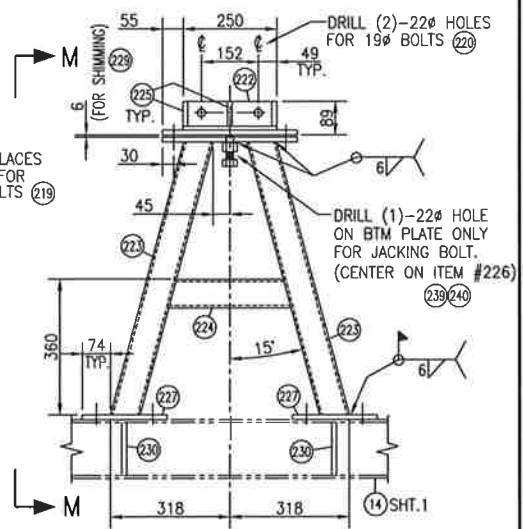
INBOARD CYL. SUPP'T DET'L
SCALE 1:5 (3-REQUIRED)



ITEM #227 DETAIL
SCALE 1:5



VIEW 'M-M'
SCALE 1:10

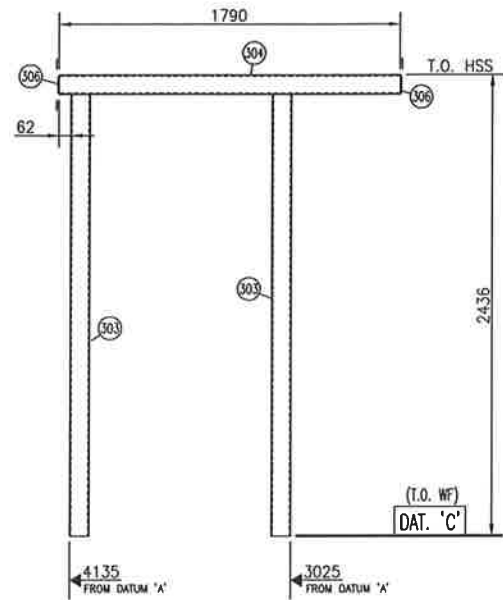


OUTBOARD CYL. SUPP'T DET'L
SCALE 1:10

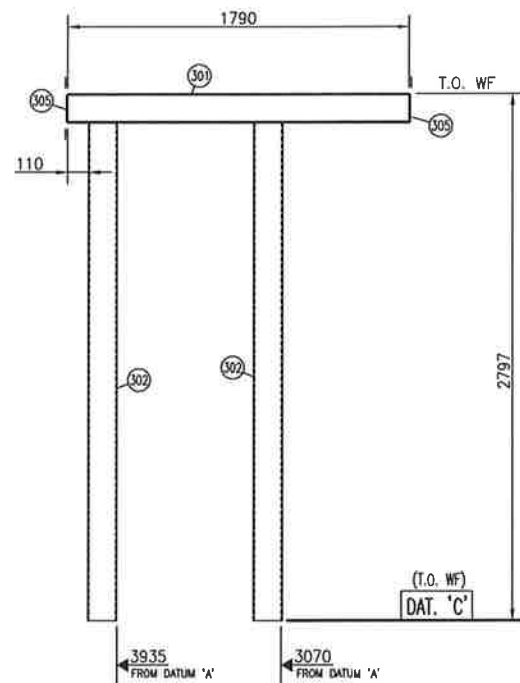
BILL OF MATERIAL		
ITEM	QUA	DESCRIPTION
201	4	ALL THREAD BAR: 19# x 500 LG. SA-36
202	4	ALL THREAD BAR: 19# x 600 LG. SA-36
203	28	HEX NUTS: 19# SA-307
204	4	PIPE: 33 O/D x 4.55 W.T. x 155 LG. SMLS SA-106-B
205	4	HSS: 127 x 127 x 6 THK. x 130 LG. (CTS) G40.21M-350W
206	4	HSS: 127 x 127 x 6 THK. x 175 LG. (CTS) G40.21M-350W
207	4	HSS: 178 x 127 x 6 THK. x 145 LG. (CTS) G40.21M-350W
208	8	F/BAR: 10 THK. x 152 x 170 LG. G40.21M-300W
209	4	F/BAR: 10 THK. x 203 x 170 LG. G40.21M-300W
210	8	PLATE: 10 THK. x 112 x 127 LG. SA-36
211	4	PLATE: 10 THK. x 127 x 163 LG. SA-36
212	4	PLATE: 3 THK. x 40 O/D x 22 I/D SA-36
213	3	PLATE: 25 THK. x 110 x 203 LG. SA-36
214	3	PLATE: 25 THK. x 173 x 177 LG. SA-36
215	3	PLATE: 25 THK. x 180 x 203 LG. SA-36
216	3	PLATE: 25 THK. x 60 x 133 LG. (CTS) SA-36
217	12	BOLTS: 16# x 70 LG. c/w (1) NUT & WASHER EA. (ZINC COATED) SA-325
218	6	BOLTS: 16#-UNC x 51 LG. c/w (1) WASHER EA. (ZINC COATED) SA-325
219	2	BOLTS: 16# x 51 LG. c/w (1) NUT & WASHER EA. (ZINC COATED) SA-325
220	2	BOLTS: 19#-UNC x 38 LG. c/w (1) WASHER EA. (ZINC COATED) SA-325
221	8	BOLTS: 16# x 51 LG. c/w (1) NUT & WASHER EA. (ZINC COATED) SA-325
222	1	ANGLE: 76 x 76 x 10 THK. x 250 LG. G40.21M-300W
223	2	HSS: 76 x 51 x 6 THK. x 800 LG. (CTS) G40.21M-350W
224	1	HSS: 76 x 51 x 6 THK. x 450 LG. (CTS) G40.21M-350W
225	2	PLATE: 10 THK. x 60 SQ. (1 MAKES 2) SA-36
226	4	F/BAR: 13 THK. x 76 x 360 LG. G40.21M-300W
227	2	F/BAR: 13 THK. x 152 x 225 LG. G40.21M-300W
228	3	SHIM PLATE: 3 THK. x 180 x 203 LG. SA-36
229	2	SHIM PLATE: 3 THK. x 76 x 360 LG. SA-36
230	4	PLATE: 10 THK. x 70 x 140 LG. SA-36
231	2	W100 x 19 x 310 LG. G40.21M-300W
232	2	C150 x 19 x 687 LG. (CTS) G40.21M-300W
233	2	C150 x 19 x 324 LG. G40.21M-300W
234	2	PLATE: 38 THK. x 76 x 340 LG. SA-36
235	2	BOLT: 19# x 273 LG. FULL THREAD c/w (1) WASHER SA-193-B7
236	2	COUPLING NUT: 19# x 51 LG. HEX HEAD SA-307
237	4	BOLT: 22# x 89 LG. FULL THREAD c/w (1) WASHER (ZINC COATED) SA-193-B7
238	4	PLATE: 38 THK. x 125 x 190 LG. SA-36
239	1	JACKING BOLT: 19#-UNC x 64 LG. FULL THREAD (ZINC COATED) SA-193-B7
240	1	NUT: 19#-UNC HEX HEAD SA-194-2H

GENERAL NOTES		GENERAL NOTES		APPROVED		DRAWN		PROPAC	
1	ISSUED FOR CONSTRUCTION	2	ADDED JACKING/LIFTING LUG DETAIL	S.BRODIE	00/09/01	M.A.	S.W.	440 East Lake Road,	
2	MODIFIED DESIGN OF LIFTING LUG	S.FARWELL	00/05/17	S.L.	S.W.	1478 HP STOCK COMPRESSOR		Postal Bag #2	
3	ADDED JACKING/LIFTING LUG DETAIL	S.FARWELL	00/05/09	S.L.	S.W.	SKID STEEL		Airdrie, Alberta	
				BY	DATE	CKD	ENG	Canada T4B 2C3	
				MECH./STRUCT.		BY S.FARWELL		SHEET 3 OF 4	
				DATE		DATE 00/05/01		REV. 3	
				ELECTRICAL		CHECKED		DWG. No. D-SKD-99404-114A	
				PROJECT S.WARD		DATE 00/05/09		SCALE AS NOTED	
				DATE 00/05/09		SCALE			

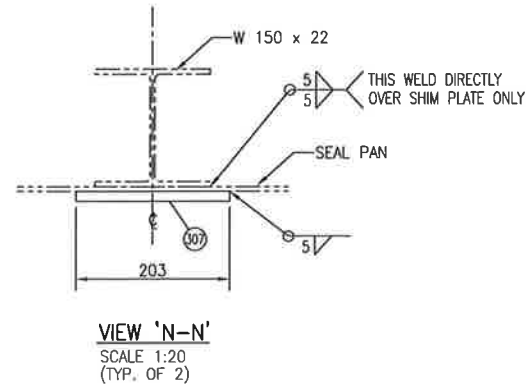
OF PROPAC
 TO OTHERS OR REPRODUCED IN ANY MANNER OR USED FOR ANY PURPOSE WHATSOEVER EXCEPT BY WRITTEN CONSENT
 THE DESIGN IT COVERS ARE CONFIDENTIAL AND THE PROPERTY OF PROPAC SYSTEMS LTD. AND SHALL NOT BE DISCLOSED
 THIS DRAWING AND



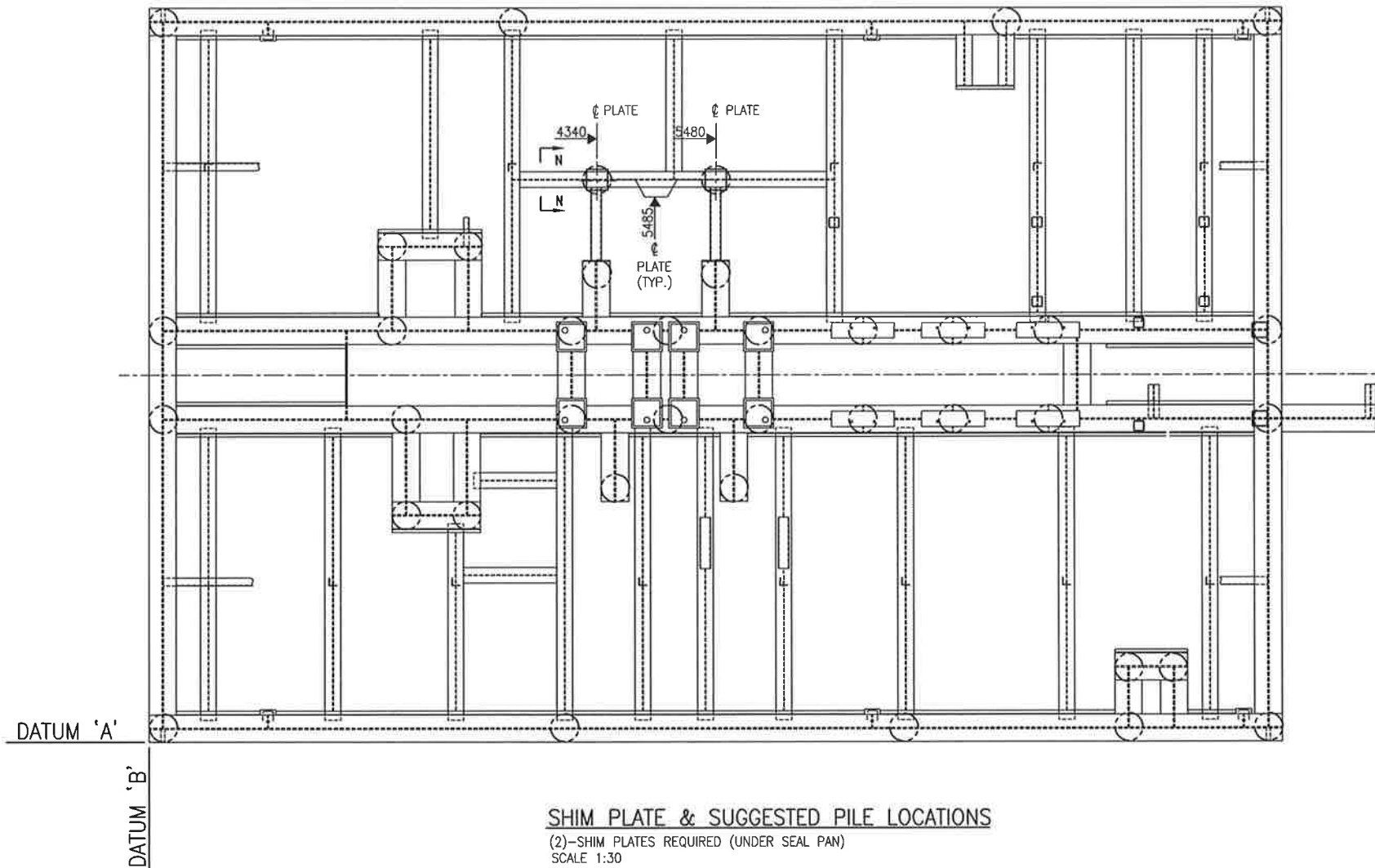
DETAIL 'PS-01'
SCALE 1:20



DETAIL 'PS-02'
SCALE 1:20



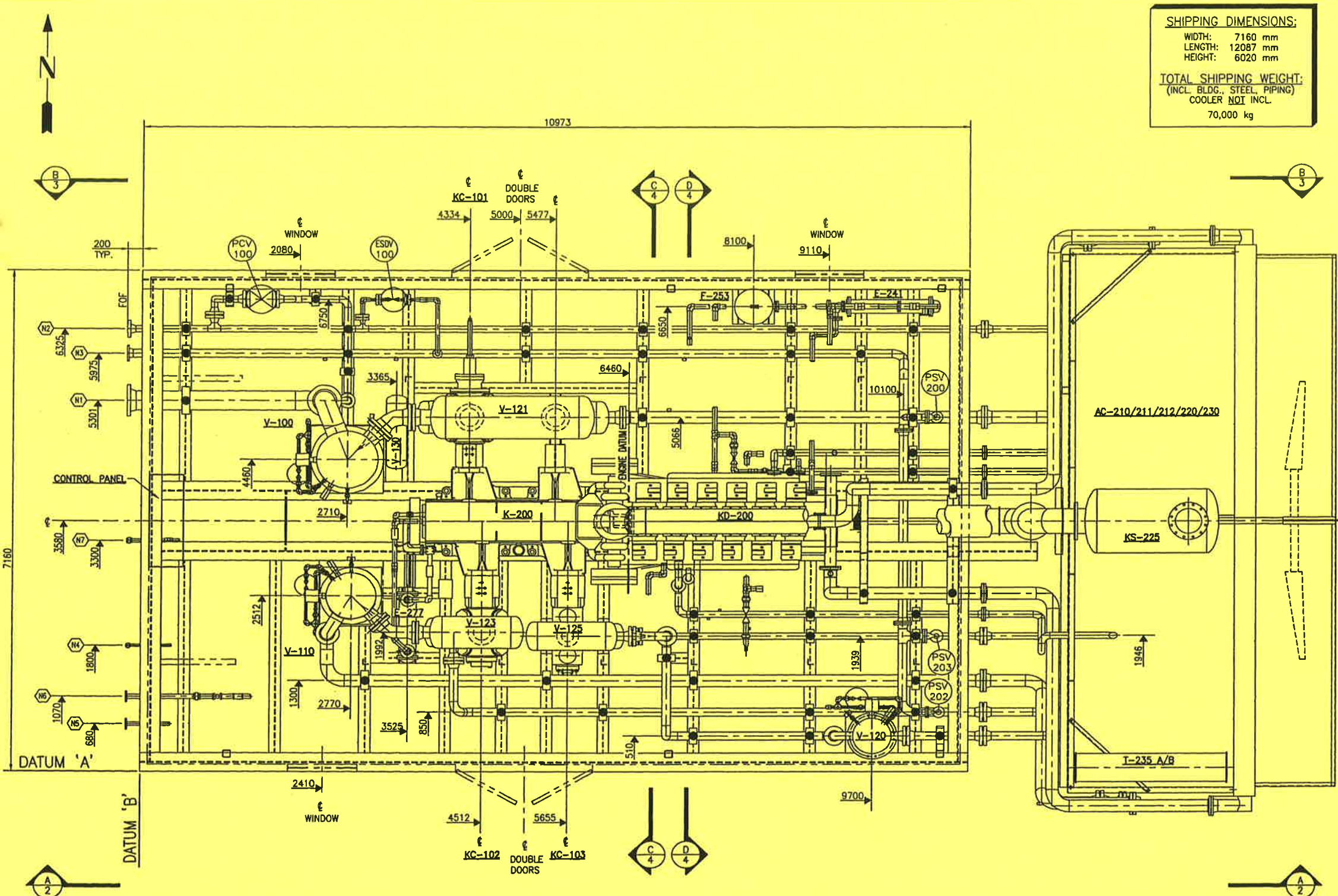
BILL OF MATERIAL			
ITEM	QUA	DESCRIPTION	
301	1	W150 x 22 x 1790 LG.	G40.21M-300W
302	2	HSS: 152 x 152 x 6 THK. x 2642 LG.	G40.21M-350W
303	2	HSS: 102 x 102 x 6 THK. x 2334 LG.	G40.21M-350W
304	1	HSS: 102 x 102 x 6 THK. x 1790 LG.	G40.21M-350W
305	2	F/BAR: 6 THK. x 152 x 143 LG.	G40.21M-300W
306	2	F/BAR: 6 THK. x 90 SQ.	G40.21M-300W
307	2	F/BAR: 13 THK. x 203 SQ.	G40.21M-300W



SHIM PLATE & SUGGESTED PILE LOCATIONS
(2)-SHIM PLATES REQUIRED (UNDER SEAL PAN)
SCALE 1:30

GENERAL NOTES DATE: 2000.05.17 11:42am FILE NAME: J:\jobs99\DWG\99404\Comp\SKD\SKD-99404-114A-04.dwg		GENERAL NOTES 1 ISSUED FOR CONSTRUCTION		S.FARWELL 00/05/17 S.L. S.W. BY DATE CKD ENG		APPROVED MECH./STRUCT. BY S.FARWELL DATE 00/05/03 ELECTRICAL CHECKED DATE BY S.LESLIE PROJECT S.WARD DATE 00/05/17 DATE 00/05/17 SCALE AS NOTED		PROPAC 440 East Lake Road, Postal Bag #2 Airdrie, Alberta Canada T4B 2C3		DWG. No.: D-SKD-99404-114 A SHEET 4 OF 4 REV. 1	
--	--	---	--	---	--	---	--	---	--	---	--

THIS DRAWING AND THE DESIGN IT COVERS ARE CONFIDENTIAL AND THE PROPERTY OF PROPAK SYSTEMS LTD. AND SHALL NOT BE DISCLOSED TO OTHERS OR REPRODUCED IN ANY MANNER OR USED FOR ANY PURPOSE WHATSOEVER EXCEPT BY WRITTEN CONSENT OF PROPAK.



SHIPPING DIMENSIONS:
 WIDTH: 7160 mm
 LENGTH: 12087 mm
 HEIGHT: 6020 mm

TOTAL SHIPPING WEIGHT:
 (INCL. BLDG., STEEL, PIPING)
 COOLER NOT INCL.
 70,000 kg

NOZZLE SCHEDULE						
MK	SIZE	RATING	FACING	SERVICE	CE	ELEVATION
N1	273	300#	RFWN	INLET		-426
N2	89	900#	RFWN	OUTLET		-518
N3	114	150#	RFWN	FLARE		-505
N4	33	3000#	UNION	HCL DRAIN		-150
N5	60	150#	RFSW	CLEAN FUEL GAS SUPPLY		-150
N6	60	150#	RFSW	CLEAN START GAS SUPPLY		-150
N7	48	3000#	UNION	WASTE OIL PUMP OUT		-150

ELEVATIONS ARE FROM T.O. WF

MAJOR COMPONENTS		WEIGHTS:
COMPRESSOR: DRESSER RAND 6HOS 4 THROW, 3 STAGE		8390 kg (INCL. CYLINDERS)
DRIVER: WAUKESHA L7042GL		9525 kg
COOLER: AERIAL COOLER PROPAK 1-SV-1-156-312-F		20700 kg
SCRUBBERS:		
V-100	1st STG.: 813ø x 1930 S/S x 4516 kPag	1842 kg
V-110	2nd STG.: 660ø x 1626 S/S x 4516 kPag	1080 kg
V-120	3rd STG.: 508ø x 1473 S/S x 9067 kPag	816 kg
BOTTLES:		
STAGE #1		
V-121	SUCTION: 610ø x 1778 S/S x 4516 kPag	797 kg
V-122	DISCHARGE: 457ø x 2235 S/S x 4447 kPag	586 kg
STAGE #2		
V-123	SUCTION: 457ø x 914 S/S x 4516 kPag	301 kg
V-124	DISCHARGE: 406ø x 1016 S/S x 8908 kPag	460 kg
STAGE #3		
V-125	SUCTION: 406ø x 914 S/S x 9067 kPag	402 kg
V-126	DISCHARGE: 356ø x 1016 S/S x 11377 kPag	393 kg

UNBALANCED INERTIA FORCES ON FOUNDATION

FOUNDATION MUST BE DESIGNED TO RESIST THE FOLLOWING FORCES:

MAXIMUM HORIZONTAL PRIMARY FORCES	347 LBS
MAXIMUM HORIZONTAL SECONDARY FORCES	82 LBS
MAXIMUM VERTICAL PRIMARY FORCES	0 LBS
MAXIMUM VERTICAL SECONDARY FORCES	0 LBS

MAXIMUM HORIZONTAL PRIMARY MOMENT (ABT. AXIS Z-Z) 14,422 FT-LBS
 MAXIMUM HORIZONTAL SECONDARY MOMENT (ABT. AXIS Z-Z) 1112 FT-LBS
 MAXIMUM VERTICAL PRIMARY MOMENT (ABT. AXIS Y-Y) 25,157 FT-LBS
 MAXIMUM VERTICAL SECONDARY MOMENT (ABT. AXIS Y-Y) 0 FT-LBS

ABOVE UNBALANCED FIGURED AT 1200 RPM. 2 LB. MAX. IMBALANCE
 AT OTHER SPEEDS THIS UNBALANCED WILL VARY BY: $(\frac{\text{NEW SPEED}}{\text{CALCULATED SPEED}})^2$

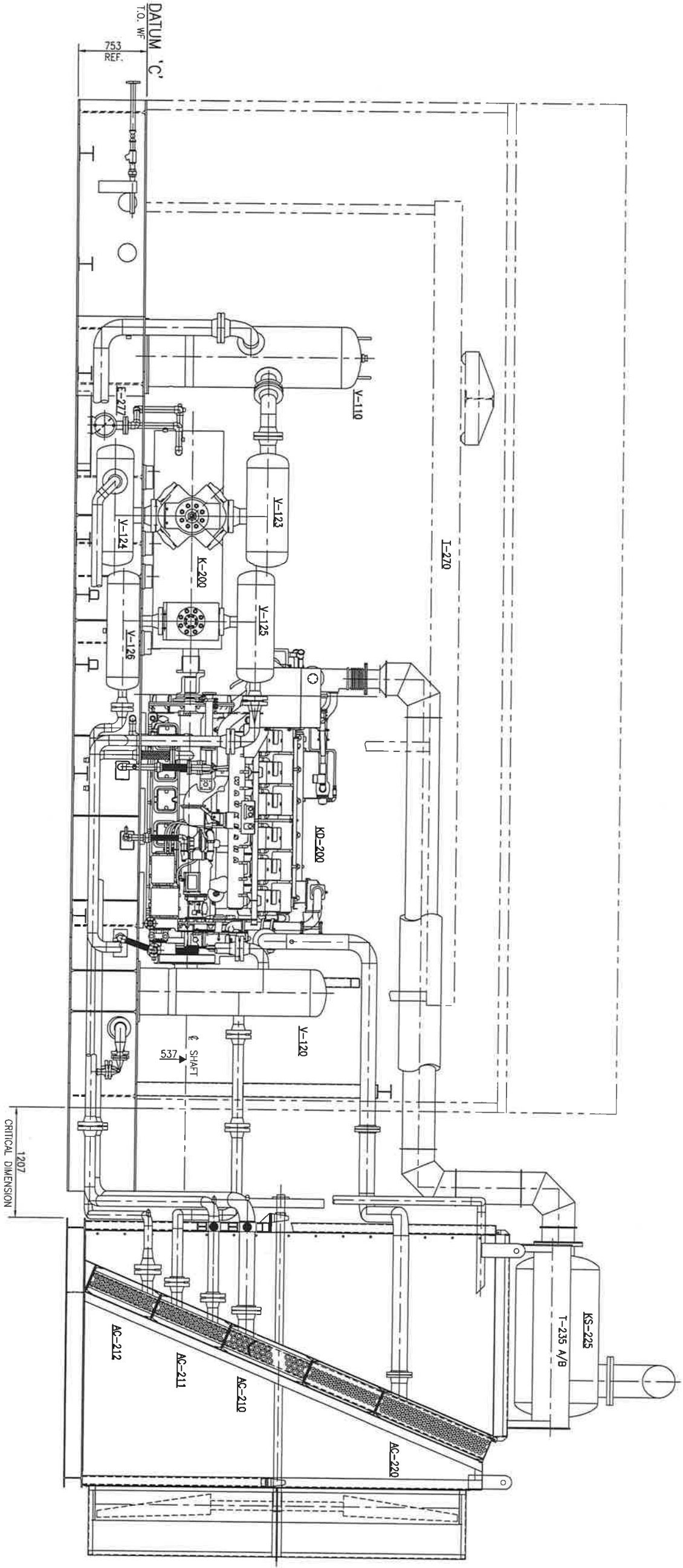
NOTED 1: MOMENT TAKEN ABOUT AXIS THROUGH CENTER OF SHAFT FORCES AS ACTING ON CENTER OF SHAFT.
 NOTED 2: PRIMARY FORCES AND THE MOMENTS CHANGE FROM ZERO TO MAXIMUM GIVEN ABOVE TO ZERO TO SAME MAXIMUM IN REVERSE DIRECTION AND BACK TO ZERO ONCE IN A CRANKSHAFT REVOLUTION. SECONDARY FORCES AND MOMENTS DO THROUGH THIS CYCLE TWICE IN A REVOLUTION. THE SKETCH SHOWS THIS.

NOTED 3: UNIT ORIGIN IS @ DATUM INTERSECTION @ TOP OF SKID
 NOTED 4: UNIT APPROX. CENTRE OF GRAVITY: (X,Y,Z) = (SEE LIFTING DIAGRAM SHEET.2)

CLAMPING LEGEND
 ● DENOTES HEAVY DUTY CLAMP

PLAN VIEW

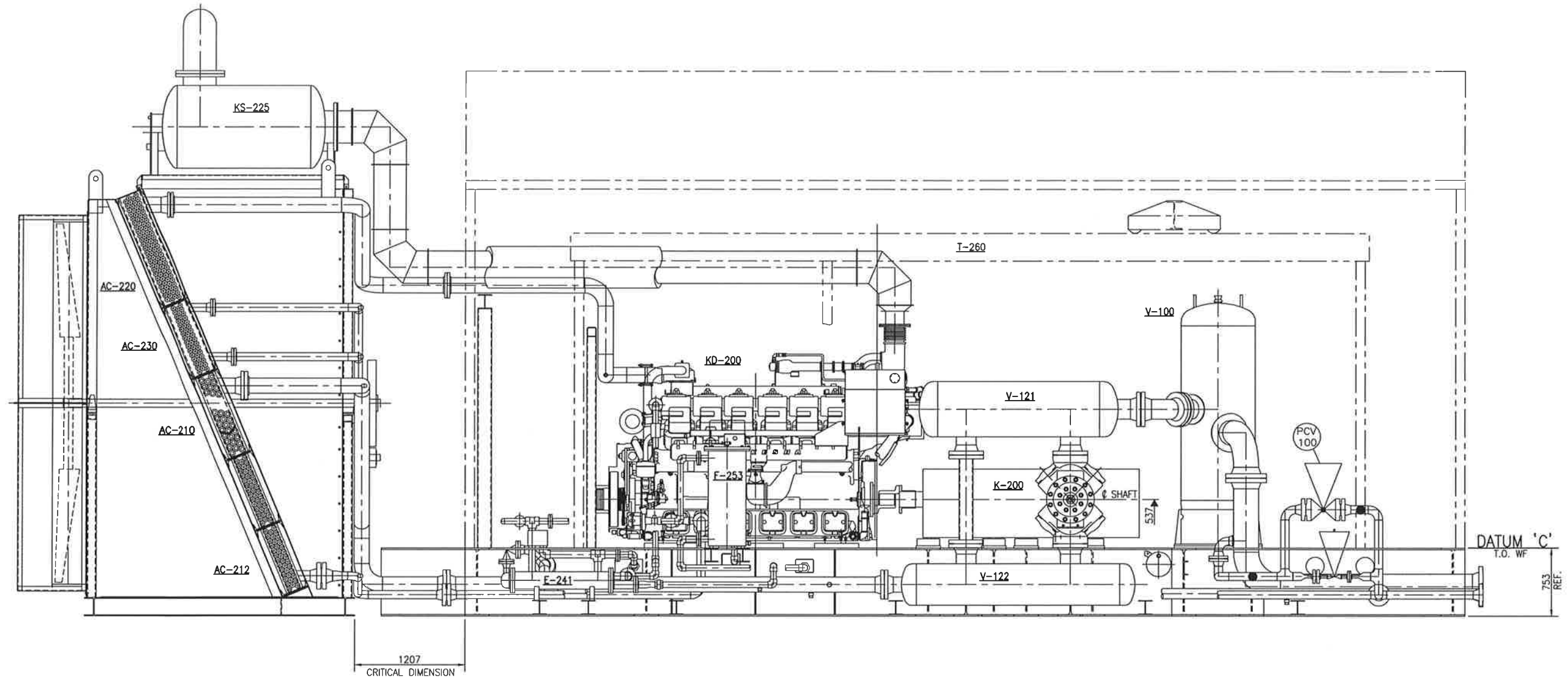
GENERAL NOTES		GENERAL NOTES		APPROVED		DRAWN		PROPAK	
4	UNBALANCED FORCES REV'D.	D. SMITH	00/09/21	T. KELLER	00/02/24	S. FARWELL	00/01/19	1478 HP STOCK COMPRESSOR PACKAGE	
3	ADDED TAG #'S TO VESSEL DESCRIPTIONS	S. BRODIE	00/09/01	M. I. S.W.			CHECKED	W1478, 6 HOS 3	
2	RE-DESIGNED	S. FARWELL	00/05/29	M. I. S.W.			BY M. IWANIUK	LAYOUT-PLAN VIEW	
1	ISSUED FOR CONSTRUCTION	S. FARWELL	00/02/24	M. I. T.K.			DATE 00/02/24	DWG. No.: D-ASY-99404-152 SHEET 1 OF 4 REV. 4	
No.	REVISION	BY	DATE	CKD	ENG	SCALE	1:30	440 East Lake Road, Postal Bag #2, Airdrie, Alberta, Canada T4B 2C3	



VIEW 'A-A'

GENERAL NOTES		REVISION		APPROVED		DRAWN	
2	RE-DESIGNED	BY	DATE	BY	DATE	BY	DATE
1	ISSUED FOR CONSTRUCTION	S.FARWELL	00/05/79	S.FARWELL	00/01/79	S.FARWELL	00/01/79
No.		S.FARWELL	00/07/24	M.IVANUK	00/02/24	M.IVANUK	00/02/24
		BY	DATE	BY	DATE	BY	DATE
		M.I.		M.IVANUK		M.IVANUK	
		CRD		ENG		ENG	
		SCALE	1:25				
DWG. D-ASY-99404-152 SHEET 2 OF 4 REV. 2 No. 1							

THIS DRAWING AND THE DESIGN IT COVERS ARE CONFIDENTIAL AND THE PROPERTY OF PROPAK SYSTEMS LTD., AND SHALL NOT BE DISCLOSED TO OTHERS OR REPRODUCED IN ANY MANNER OR USED FOR ANY PURPOSE WHATSOEVER EXCEPT BY WRITTEN CONSENT OF PROPAK

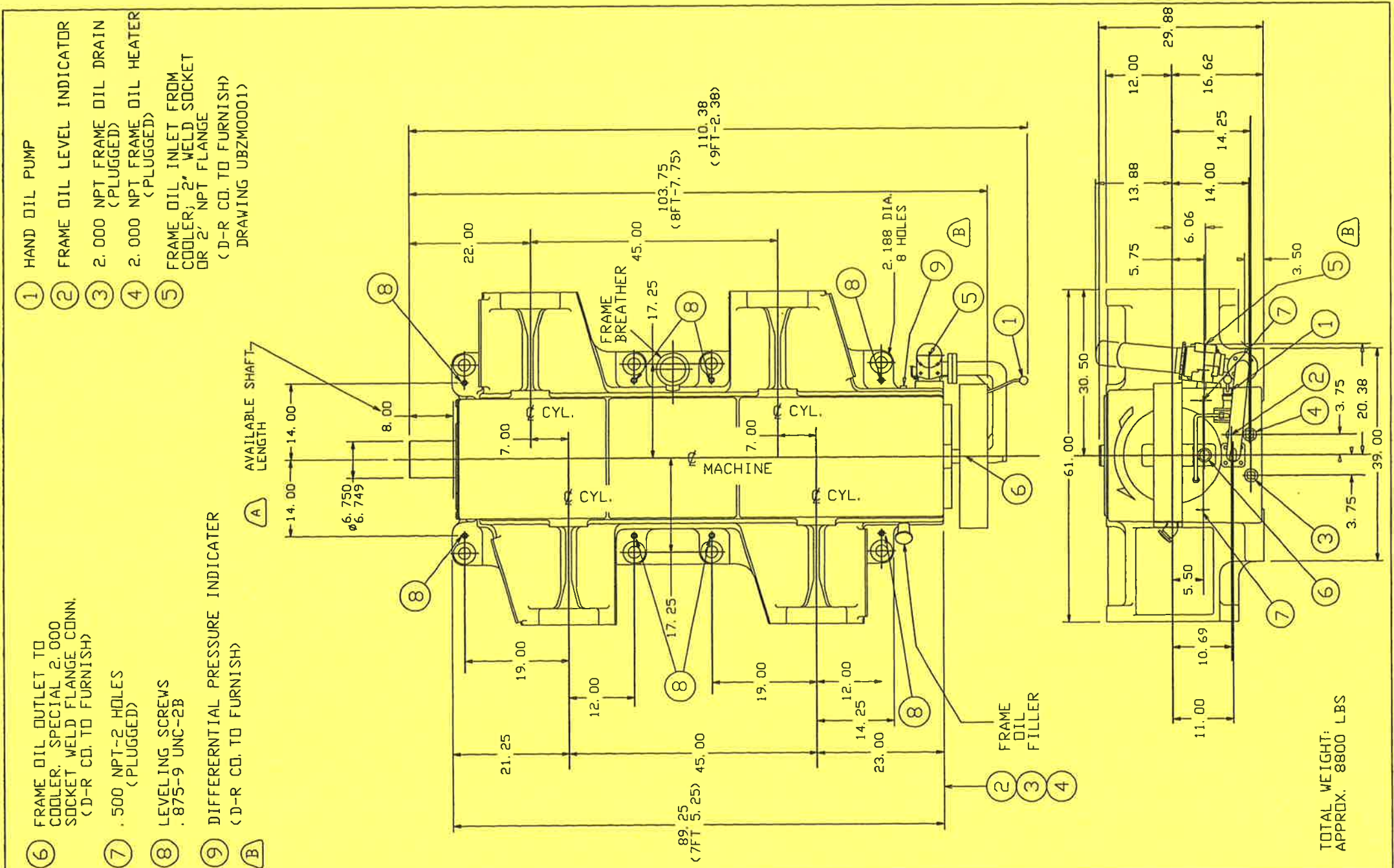


VIEW 'B-B'

GENERAL NOTES		GENERAL NOTES		2		RE-DESIGNED		S.FARWELL 00/05/29		M.I.		S.W.		APPROVED		DRAWN		PROPAK	
				1		ISSUED FOR CONSTRUCTION		S.FARWELL 00/02/24		M.I.		T.K.		MECH./STRUCT.		BY S.FARWELL		1478 HP STOCK COMPRESSOR PACKAGE	
														DATE		DATE 00/01/19		Postal Bag #2	
														ELECTRICAL		CHECKED		Airdrie, Alberta	
														DATE		BY M.WANIUK		Canada T4B 2C3	
														PROJECT		DATE 00/02/24			
														DATE		SCALE 1:25		DWG. No.: D-ASY-99404-152	
																		SHEET 3 OF 4	
																		REV. 2	

PROPAK
 440 East Lake Road,
 Postal Bag #2
 Airdrie, Alberta
 Canada T4B 2C3

THIS DRAWING AND THE DESIGN IT COVERS ARE CONFIDENTIAL AND THE PROPERTY OF PROPAK SYSTEMS LTD. AND SHALL NOT BE DISCLOSED TO OTHERS OR REPRODUCED IN ANY MANNER OR USED FOR ANY PURPOSE WHATSOEVER EXCEPT BY WRITTEN CONSENT OF PROPAK.



16C 29C 72C 124C 149C 60000# MACRL 6.00 HOS / VPD FRAME - 4 CYLINDER ML AAZ04001 B 1'=1FT	
B ADDED FILTER @ ITEM 5 & ADDED ITEM 9 ECN 99B0264 6/8/99 VEC/KWL	K. W. LOCEY 6/22/98
A ADDED 8.00 DIMN.; CORRECTED JACKSCREW ITEM B LOCATIONS IN CENTER OF FRAME 98B0610 10/14/98 KWL	T. GRESHAM 6/22/98 K. W. LOCEY 6/22/98

- ① HAND OIL PUMP
- ② FRAME OIL LEVEL INDICATOR
- ③ 2.000 NPT FRAME OIL DRAIN (PLUGGED)
- ④ 2.000 NPT FRAME OIL HEATER (PLUGGED)
- ⑤ FRAME OIL INLET FROM COOLER; 2" WELD SOCKET OR 2" NPT FLANGE (D-R CD. TO FURNISH) DRAWING UBZM0001

- ⑥ FRAME OIL OUTLET TO COOLER, SPECIAL 2.000 SOCKET WELD FLANGE CONN. (D-R CD. TO FURNISH)
- ⑦ 500 NPT-2 HOLES (PLUGGED)
- ⑧ LEVELING SCREWS .875-9 UNC-2B
- ⑨ DIFFERENTIAL PRESSURE INDICATOR (D-R CD. TO FURNISH)

TOTAL WEIGHT:
APPROX. 8800 LBS

DATE: 2000.05.19 3:38pm FILE NAME: J:\jobs99\DWG\99404\Comp\ASY\ASY-99404-152-CMP-01.dwg

GENERAL NOTES
 No. 1 ISSUED FOR CONSTRUCTION

BY	DATE	CKD	ENG
S.FARWELL	00/05/19	M.I.	gib

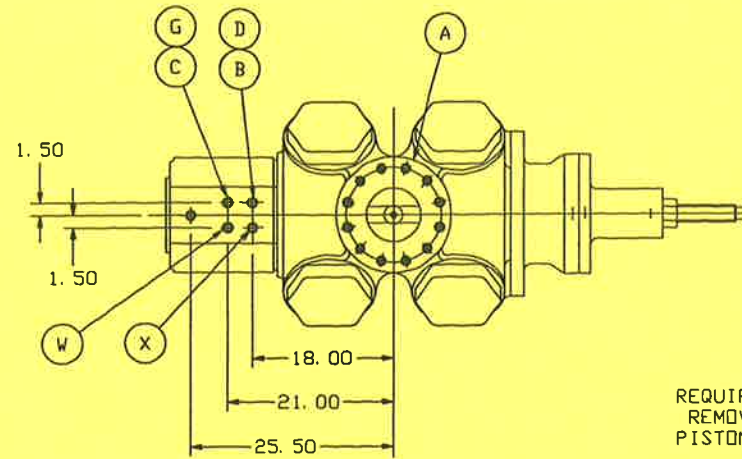
APPROVED	DRAWN
MECH./STRUCT.	BY S.FARWELL
DATE	DATE 00/05/19
ELECTRICAL	CHECKED
DATE	BY M. MANIUK
PROJECT	DATE 00/05/19
DATE	SCALE N.T.S.

PROPAG
 1478 HP STOCK COMPRESSOR PACKAGE
 COMPRESSOR REFERENCE DWG.
 DESSER RAND 6HOS 4 THROW
 DWG. No.: B-ASY-99404-152-CMP SHEET 1 OF 1 REV. 1

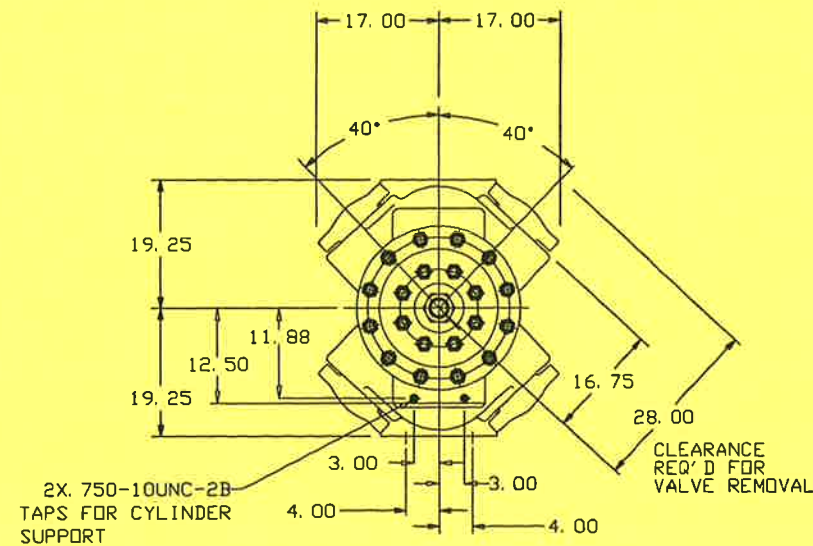
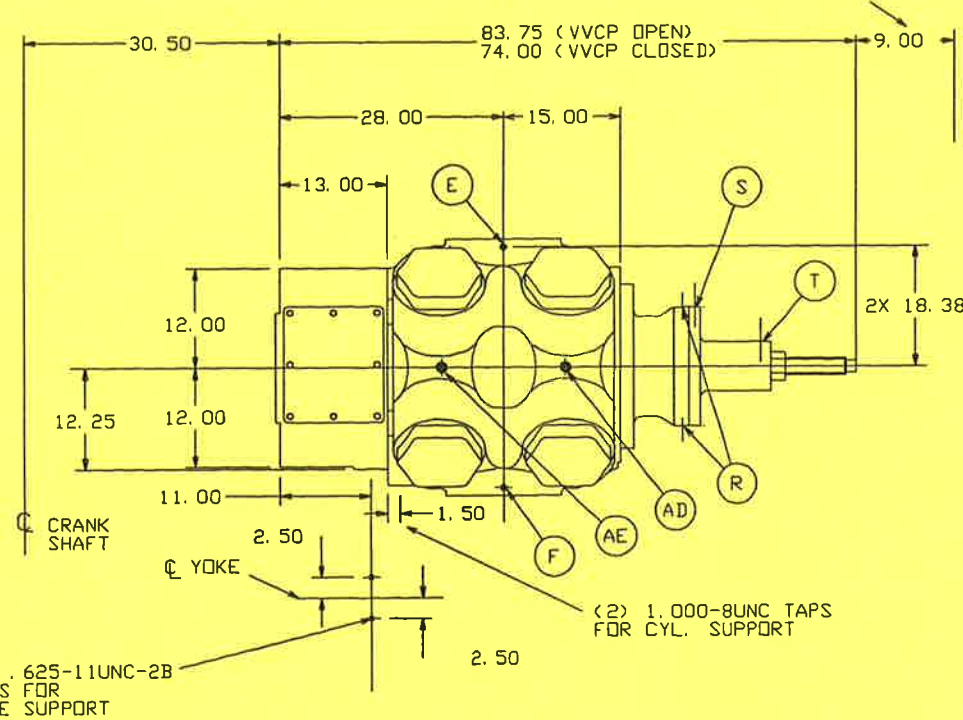
PROPAK
 440 East Lake Road,
 Postal Bag #2
 Airdrie, Alberta
 Canada T4B 2C3

TO OTHERS OR REPRODUCED IN ANY MANNER OR USED FOR ANY PURPOSE WHATSOEVER EXCEPT BY WRITTEN CONSENT OF PROPAK. THE DESIGN IT COVERS ARE CONFIDENTIAL AND THE PROPERTY OF PROPAK SYSTEMS LTD. AND SHALL NOT BE DISCLOSED.

A	ADDED W AND X CONNS.	01/25/00	KVL/GWT
---	----------------------	----------	---------



- A) 8.00-300#FF FLANGE CONN-INLET & DISCH - TOP & BOTTOM
12-.875 STUDS ON 13.000 DIA. B.C. 15.00 FLANGE DIA.
- B) .25 NPT -- PACKING LUBE CONN ----- TOP
- C) .25 NPT -- PACKING VENT/DRAIN CONN ----- BOTTOM
- D) .75 NPT -- YOKE DRAIN/PURGE CONN ----- BOTTOM
- E) .25 NPT -- CYL BORE LUBE CONN ----- TOP
- F) .25 NPT -- CYL BORE LUBE CONN ----- BOTTOM
- G) .75 NPT -- YOKE VENT CONN. ----- TOP
- R) .125 NPT -- VVCP HEAD VENT TO NON-HAZARDOUS AREA -- TOP OR BOT
- S) .125 NPT -- VVCP ROD PKG VENT TO NON-HAZ AREA ----- TOP
- T) .125 NPT -- VENT
- W) .25 NPT -- SCRAPER PURGE CONN ----- TOP
- X) .25 NPT -- PACKING PURGE CONN ----- TOP
- AE) .50 NPT -- FRAME END INDICATOR CONN ----- SIDE
- AD) .50 NPT -- CYLINDER END INDICATOR CONN ----- SIDE



TOTAL WEIGHT: APPROX. 3550 LBS

29C 109 124C 149C

WE CASPER	6/16/99	15.00	6.00	HDS
KW LOCEY	6/16/99	OUTLINE - 15.00" CYL W/VVCP		
AL INGLE	6/16/99			HJHD1502 A

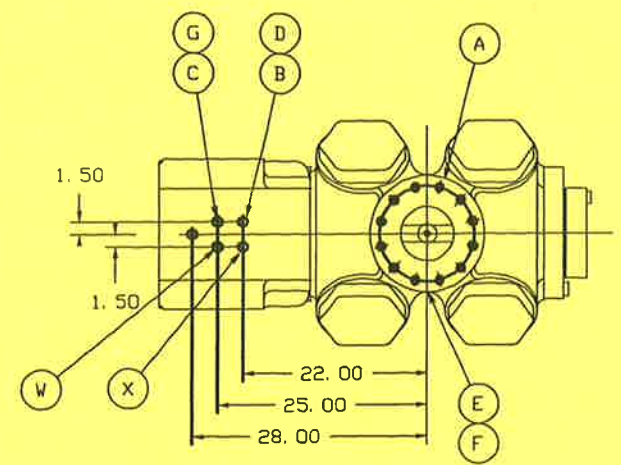
1"=1" 1 1

HJHD1502 1

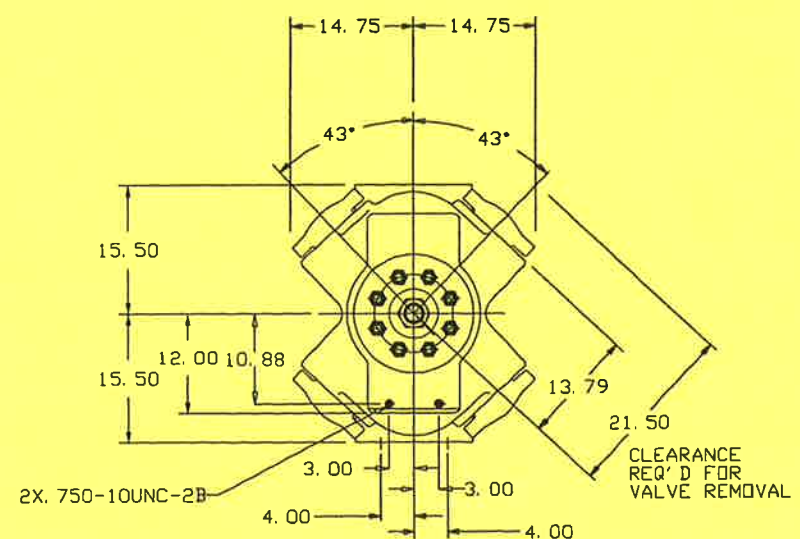
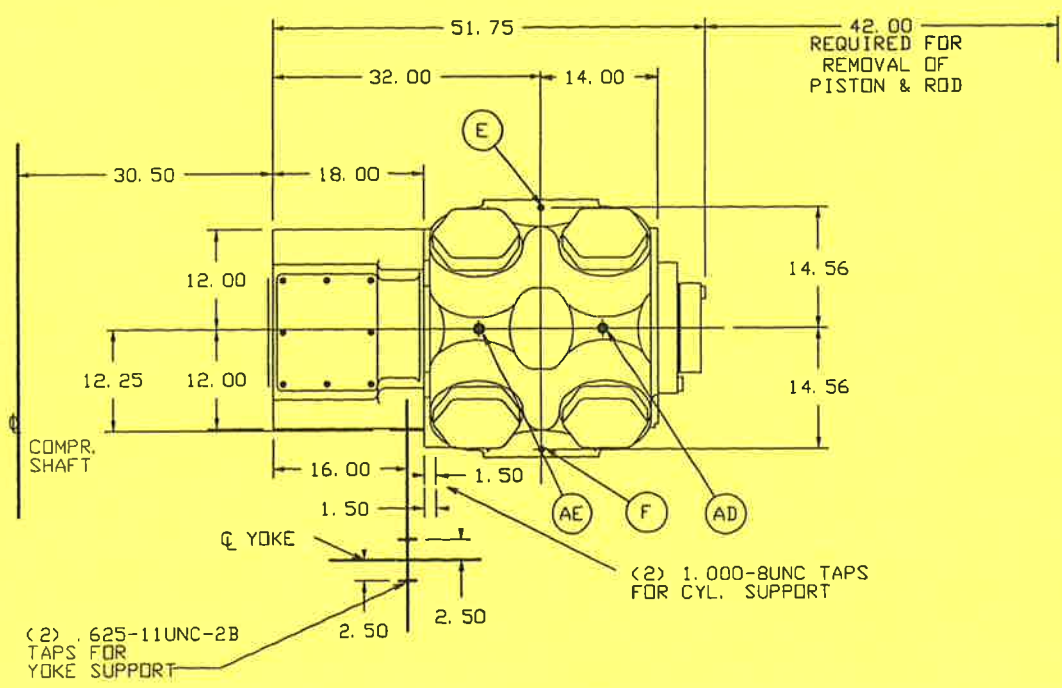
PLANT PLAN FORMAT(ANSI 14.5Y 1982) (TULSA)
C STZE (FULL 17.00 X 22.00) FORMAT

DATE: 2000.05.19 3:44pm FILE NAME: J:\jobs99\DWG\99404\Comp\ASY\ASY-99404-152-CYL-01.dwg		No. 1		ISSUED FOR CONSTRUCTION		S.FARWELL 00/05/19		M.F. 2/20		APPROVED		DRAWN		PROPAK		440 East Lake Road, Postal Bag #2 Airdrie, Alberta Canada T4B 2C3	
GENERAL NOTES		GENERAL NOTES		REVISION		BY		DATE		CKD		ENG		MECH./STRUCT.		BY S.FARWELL	
														DATE 00/05/19		1478 HP STOCK COMPRESSOR PACKAGE	
														ELECTRICAL		CYLINDER REFERENCE DWG.	
														DATE		DESSER RAND STAGE #1 - 15" c/w VVCP	
														PROJECT S.FARWELL		DWG. No.: B-ASY-99404-152-CYL SHEET 1 OF 3	
														DATE 01/25/00		REV. 1	
														SCALE N.T.S.			

THIS DRAWING AND THE DESIGN IT COVERS ARE CONFIDENTIAL AND THE PROPERTY OF PROPAK SYSTEMS LTD., AND SHALL NOT BE DISCLOSED TO OTHERS OR REPRODUCED IN ANY MANNER OR USED FOR ANY PURPOSE WHATSOEVER EXCEPT BY WRITTEN CONSENT OF PROPAK.



- A) 6.00-600#FF FLANGE CONN-INLET & DISCH - TOP & BOTTOM
12-1.000 BOLTS ON 11.500 DIA. B.C. 14.00 FLANGE DIA.
- B) .25 NPT -- PACKING LUBE CONN ----- TOP
- C) .25 NPT -- PACKING VENT/DRAIN CONN ----- BOTTOM
- D) .75 NPT -- YOKE DRAIN/PURGE CONN ----- BOTTOM
- E) .25 NPT -- CYL BORE LUBE CONN ----- TOP
- F) .25 NPT -- CYL BORE LUBE CONN ----- BOTTOM
- G) .75 NPT -- YOKE VENT CONN. ----- TOP
- W) .25 NPT -- SCRAPER PURGE CONN ----- TOP
- X) .25 NPT -- PACKING PURGE CONN ----- TOP
- AE) .50 NPT -- FRAME END INDICATOR CONN -----SIDE
- AD) .50 NPT -- CYLINDER END INDICATOR CONN -----SIDE



TOTAL WEIGHT: APPROX. 3200 LBS

29C	109C	124C	149C
KW LOCEY	1/25/00	9.50	6.00
GW TAS	1/25/00	HDS	
GW TAS	1/25/00	OUTLINE - 9.50" CYLINDER	
			HJH00903
			NTS
			1 1

HJH00903 1

PLANCT PLAN FORMAT(ANSI 14.5Y 1982) (TULSA)
C SIZE (FULL 17.00 X 22.00) FORMAT

DATE: 2000.05.19 3:44pm FILE NAME: J:\jobs99\DWG\99404\Comp\ASY\ASY-99404-152-CYL-02.dwg

GENERAL NOTES
1 ISSUED FOR CONSTRUCTION

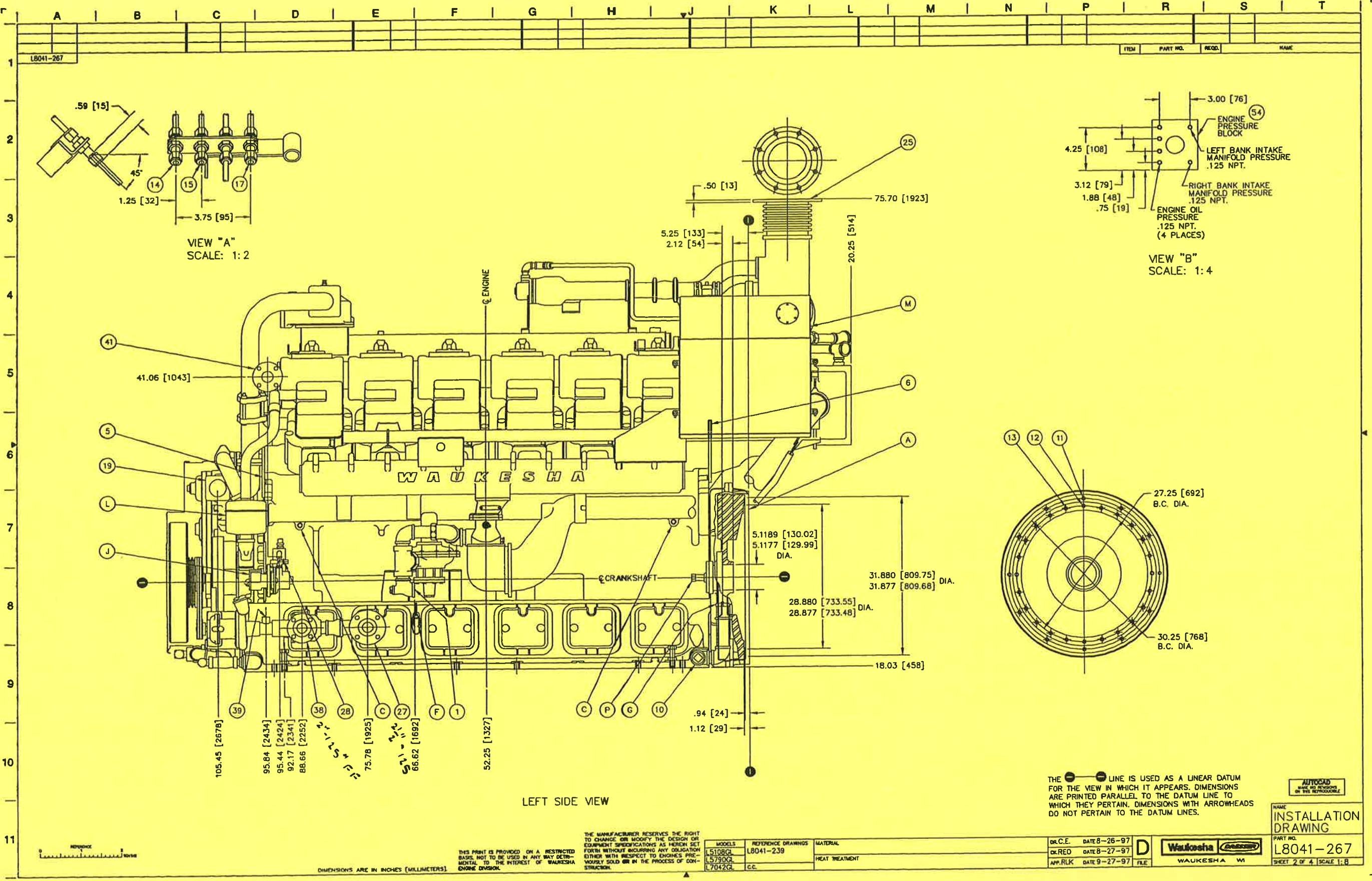
No.	REVISION	BY	DATE	CKD	ENG
1	ISSUED FOR CONSTRUCTION	S.FARWELL	00/05/19	M.I.	SW

APPROVED		DRAWN	
MECH/STRUCT.	BY S.FARWELL	DATE	00/05/19
ELECTRICAL	CHECKED	DATE	00/05/24
PROJECT	DATE	DATE	00/05/24
DATE	DATE	SCALE	N.T.S.

PROPAK
1478 HP STOCK COMPRESSOR PACKAGE
CYLINDER REFERENCE DWG.
DESSER RAND STAGE #2 - 9.5"φ
DWG. No.: B-ASY-99404-152-CYL SHEET 2 OF 3 REV. 1

PROPAK
440 East Lake Road,
Postal Bag #2
Airdrie, Alberta
Canada T4B 2C3

THIS DRAWING AND THE PROPERTY OF PROPAK SYSTEMS LTD., AND SHALL NOT BE DISCLOSED TO OTHERS OR REPRODUCED IN ANY MANNER OR USED FOR ANY PURPOSE WHATSOEVER EXCEPT BY WRITTEN CONSENT OF PROPAK.



LEFT SIDE VIEW

THE \ominus LINE IS USED AS A LINEAR DATUM FOR THE VIEW IN WHICH IT APPEARS. DIMENSIONS ARE PRINTED PARALLEL TO THE DATUM LINE TO WHICH THEY PERTAIN. DIMENSIONS WITH ARROWHEADS DO NOT PERTAIN TO THE DATUM LINES.

AUTOCAD
BASED ON RECORD OF THE REPRODUCIBLE

NAME: INSTALLATION DRAWING
PART NO.: L8041-267
SHEET 2 OF 4 SCALE 1:1

THIS PRINT IS PROVIDED ON A RESTRICTED BASIS, NOT TO BE USED IN ANY WAY DETRIMENTAL TO THE INTEREST OF WAUKESHA ENGINE DIVISION.
THE MANUFACTURER RESERVES THE RIGHT TO CHANGE OR MODIFY THE DESIGN OR EQUIPMENT SPECIFICATIONS AS HEREIN SET FORTH WITHOUT INCURRING ANY OBLIGATION EITHER WITH RESPECT TO ENGINES PREVIOUSLY SOLD OR IN THE PROCESS OF CONSTRUCTION.

MODELS	REFERENCE DRAWINGS	MATERIAL
L5108GL	L8041-239	HEAT TREATMENT
L5790GL		
L7042GL	C.C.	

DR.C.E.	DATE 8-26-97
CHK.RED.	DATE 8-27-97
APP.RLK	DATE 9-27-97

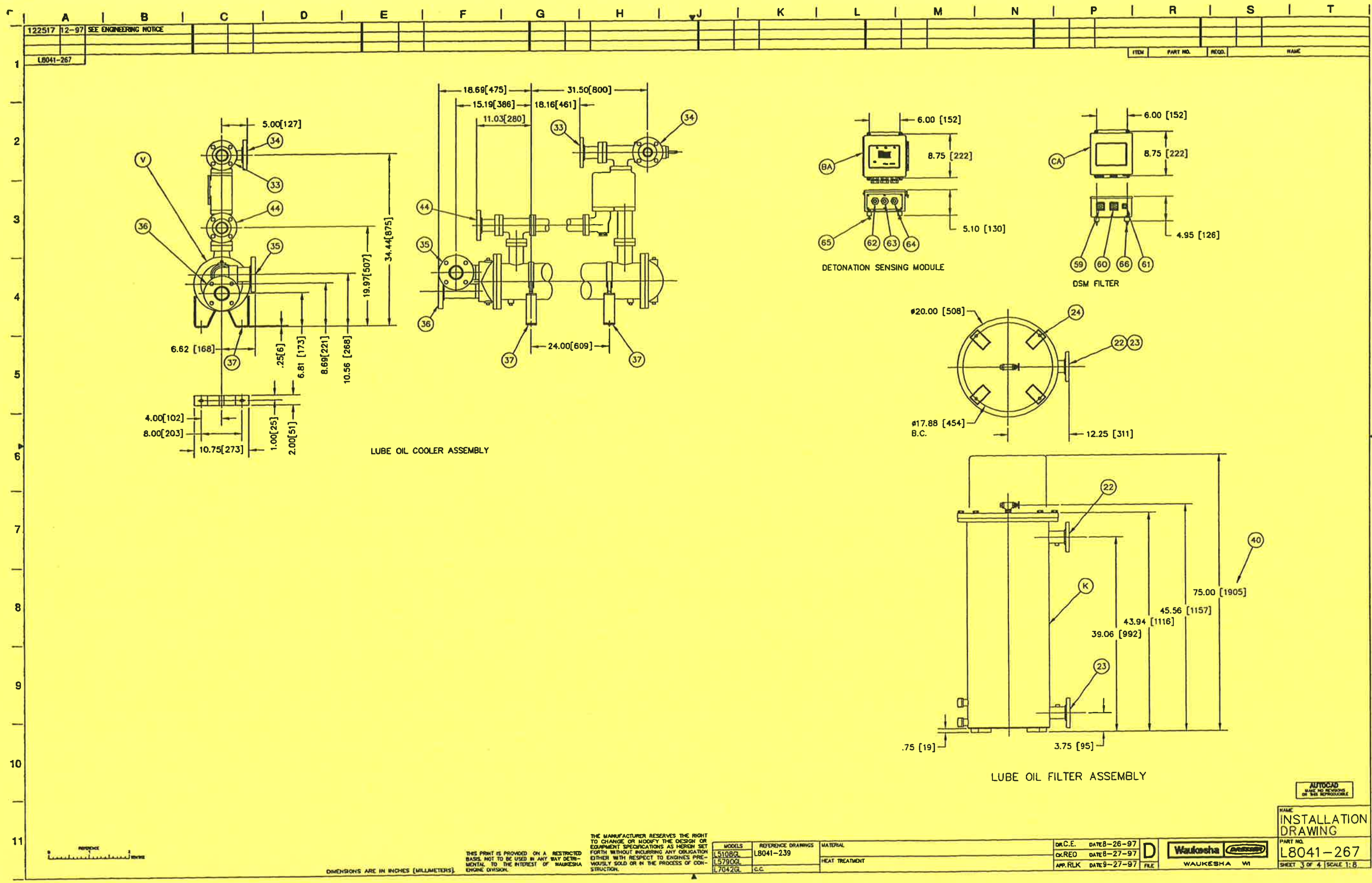
Waukesha
WAUKESHA WI

DATE: 2000.05.19 3:33pm FILE NAME: J:\Jobs99\DWG\89404\Comp\ASY\ASY-99404-152-ENG-02.dwg

GENERAL NOTES		GENERAL NOTES		1 ISSUED FOR CONSTRUCTION		S.FARWELL 00/05/19		APPROVED		DRAWN		PROPAC	
								MECH./STRUCT.		BY S.FARWELL		440 East Lake Road,	
								DATE		DATE 00/05/19		Postal Bag #2	
								ELECTRICAL		CHECKED		Airdrie, Alberta	
								DATE		DATE 00/05/19		Canada T4B 2C3	
								PROJECT		SCALE N.T.S.		DWG. No.: B-ASY-99404-152-ENG SHEET 2 OF 10 REV.	
								DATE					

PROPAC
440 East Lake Road,
Postal Bag #2
Airdrie, Alberta
Canada T4B 2C3

THIS DRAWING AND THE DESIGN IT COVERS ARE CONFIDENTIAL AND THE PROPERTY OF PROPAK SYSTEMS LTD., AND SHALL NOT BE DISCLOSED TO OTHERS OR REPRODUCED IN ANY MANNER OR USED FOR ANY PURPOSE WHATSOEVER EXCEPT BY WRITTEN CONSENT OF PROPAK.



THE MANUFACTURER RESERVES THE RIGHT TO CHANGE OR MODIFY THE DESIGN OR EQUIPMENT SPECIFICATIONS AS HEREIN SET FORTH WITHOUT INCURRING ANY OBLIGATION EITHER WITH RESPECT TO ENGINES PREVIOUSLY SOLD OR IN THE PROCESS OF CONSTRUCTION.

MODELS	REFERENCE DRAWINGS	MATERIAL
5108G	L8041-239	HEAT TREATMENT
5790G		
L7042G	C.C.	

DR.C.E.	DATE 8-26-97
CR.REO	DATE 8-27-97
APP.FLK	DATE 9-27-97



NAME	INSTALLATION DRAWING
PART NO.	L8041-267
SHEET	3 OF 4
SCALE	1:1

AUTOCAD
WAS USED IN THE PREPARATION OF THIS DRAWING

GENERAL NOTES DATE: 2000.05.19 3:32pm FILE NAME: J:\Jobs99\DWG\99404\Comp\ASY\ASY-99404-152-ENG-03.dwg		GENERAL NOTES 1 ISSUED FOR CONSTRUCTION		S.FARWELL 00/05/19 M I 4W		APPROVED MECH./STRUCT. BY S.FARWELL DATE 00/05/19 ELECTRICAL CHECKED DATE M I PROJECT DATE 00/05/19 DATE 00/05/19		DRAWN BY S.FARWELL DATE 00/05/19 CHECKED BY M I DATE 00/05/19 SCALE N.T.S.		PROPAK 1478 HP STOCK COMPRESSOR PACKAGE ENGINE REFERENCE DWG. WAUKESHA 7042 GL		PROPAK 440 East Lake Road, Postal Bag #2 Airdrie, Alberta Canada T4B 2C3	
No. REVISION		BY DATE CKD ENG		DWG. No.: B-ASY-99404-152-ENG SHEET 3 OF 10 REV.									

THE DESIGN IT COVERS ARE CONFIDENTIAL AND THE PROPERTY OF PROPAK SYSTEMS LTD., AND SHALL NOT BE DISCLOSED TO OTHERS OR REPRODUCED IN ANY MANNER OR USED FOR ANY PURPOSE WHATSOEVER WITHOUT THE WRITTEN CONSENT OF PROPAK.

	A	B	C	D	E	F	G	H	J	K	L	M	N	P	R	S	T
122517	12-97	SEE ENGINEERING NOTICE															

L8041-267	ITEM	PART NO.	RECD.	NAME
-----------	------	----------	-------	------

ENGINE CONNECTION INDEX

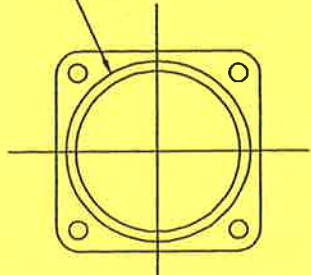
EQUIPMENT INDEX

1. NATURAL GAS INLET 2.00-11.5 N.P.T.
NOTE: FLEXIBLE CONNECTION REQUIRED AT THE FUEL INLET LOCATION(S) TO ISOLATE ENGINE VIBRATION FROM FUEL PIPING. LOCATE AS CLOSE TO ENGINE AS POSSIBLE.
2. STARTING MOTOR PAD .625-11 UNC-2B TAP THRU 3 HOLES FOR STARTING MOTOR WITH S.A.E. NUMBER 3 MOUNTING FLANGE.
4. JACKET WATER OUTLET FLANGE. (SEE VIEW OF FLANGE)
5. FRONT LIFTING EYES 3.00 [76] DIA. HOLE.
6. REAR LIFTING EYES 3.00 [76] DIA. HOLE.
8. CRANKSHAFT PULLEY - (2) 9.88 [251] NOMINAL DIAMETER X .500 [13] WIDE S.A.E. AUTOMOTIVE GROOVES.
9. .88 [22] DIAMETER - 12 ENGINE MOUNTING HOLES.
10. LUBE OIL DRAIN 2.00-11.5 N.P.T.
11. .75-10 UNC-2B TAP 1.25 [32] DEEP, 12 HOLES EQUALLY SPACED.
12. .75-10 UNC-2B TAP 1.25 [32] DEEP, 12 HOLES EQUALLY SPACED.
13. .625-11 UNC-2B TAP 1.00 [25] DEEP, 12 HOLES EQUALLY SPACED.
14. .250 [6] NOMINAL DIAMETER TUBE, AIR/GAS VENT CONNECTION. (SEE VIEW "A") (SEE NOTE 1)
15. .250 [6] NOMINAL DIAMETER TUBE, AIR/GAS SUPPLY CONNECTION. (SEE VIEW "A")
16. .375-18 N.P.T. AIR/GAS PRELUBE SUPPLY CONNECTION.
17. .250 [6] NOMINAL DIAMETER TUBE, AIR/GAS START CONNECTION. (SEE VIEW "A")
18. LUBE OIL STRAINER INLET FROM LUBE OIL FILTER, 2.00 RAISED FACE 150 LB. A.N.S.I. WELD NECK FLANGE.
19. JACKET WATER INLET FLANGE, 2 PLACES. (SEE VIEW OF FLANGE)
22. LUBE OIL FILTER INLET FROM LUBE OIL COOLER ASSEMBLY, 2.00 RAISED FACE 150 LB. A.N.S.I. FLANGE.
23. LUBE OIL FILTER OUTLET TO ENGINE LUBE OIL STAINER, 2.00 RAISED FACE 150 LB. A.N.S.I. FLANGE.
24. .56 [14] DIAMETER - 4 PLACES EQUALLY SPACED IN MOUNTING FEET FOR LUBE OIL FILTER MOUNTING.
25. EXHAUST OUTLET FLANGE - FITS 8.00 FLAT FACE 125 LB. A.N.S.I. CAST IRON PIPE FLANGE. NOTE: EXHAUST SYSTEM MUST SUPPORT ITS OWN WEIGHT BEYOND THIS POINT.
27. AUXILIARY WATER INLET FROM COOLING SYSTEM, 2.50 125 LB. A.N.S.I. FLANGE.
28. 375-18 N.P.T. AIR/GAS PRE-LUBE MOTOR EXHAUST. (SEE NOTE 1)

33. LUBE OIL COOLER ASSEMBLY OUTLET TO LUBE OIL FILTER. 2.00 RAISED FACE 150 LB. A.N.S.I. FLANGE.
34. PRESSURE REGULATING VALVE OUTLET ON LUBE OIL COOLER ASSEMBLY TO ENGINE OIL PAN. 1.50 RAISED FACE 150 LB. A.N.S.I. FLANGE.
35. AUXILIARY WATER INLET AT LUBE OIL COOLER ASSEMBLY, 2.50 FLAT FACE 125 LB. A.N.S.I. FLANGE.
36. AUXILIARY WATER OUTLET AT LUBE OIL COOLER ASSEMBLY TO THERMOSTATIC VALVE AND COOLING SYSTEM, 2.50 FLAT FACE 125 LB. A.N.S.I. FLANGE.
37. .69 X 1.25 [18 X 32] SLOT - 4 PLACES FOR LUBE OIL COOLER ASSEMBLY MOUNTING.
38. AUXILIARY WATER BYPASS CONNECTION FROM LUBE OIL COOLER. 2.00 FLAT FACE 125 LB A.N.S.I. FLANGE.
39. .750-14 N.P.T. AUXILIARY WATER CONNECTION FROM EXPANSION TANK.
40. CLEARANCE REQUIRED TO REMOVE LUBE OIL FILTER ELEMENT.
41. AUXILIARY WATER OUTLET TO LUBE OIL COOLER ASSEMBLY. 2.00 125 LB A.N.S.I. FLANGE.
42. LUBE OIL INLET FROM PRESSURE REGULATING VALVE ON LUBE OIL COOLER ASSEMBLY, 1.50 LAP JOINT 150 LB. A.N.S.I. FLANGE WITH STUB END.
43. LUBE OIL OUTLET TO LUBE OIL COOLER ASSEMBLY, 2.00 LAP JOINT 150 LB A.N.S.I. FLANGE WITH STUB END.
44. LUBE OIL COOLER ASSEMBLY INLET FROM ENGINE LUBE OIL PUMP. 2.00 RAISED FACE 150 LB. A.N.S.I. FLANGE.
54. ENGINE PRESSURE BLOCK, OIL AND INTAKE MANIFOLD PRESSURE .125-27 N.P.T. 6 PLACES (4 OIL, 2 AIR.)(SEE VIEW "B")
55. ENGINE IGNITION POWER JUNCTION BOX 24 VOLT DC.
56. ENGINE TEMPERATURE CONNECTION POINTS. THERMOCOUPLE TYPE K, AND CUSTOM CONTROLS JUNCTION BOX.
57. FRONT FACE OF CRANKCASE.
59. DSM FILTER SIGNAL INPUT. INCLUDES 11 FOOT LONG CABLE.
60. DSM FILTER SIGNAL OUTPUT. INCLUDES 15 FOOT LONG CABLE.
61. DSM FILTER POWER INPUT.
62. DSM SIGNAL INPUT. FROM CONNECTION 60.
63. DSM POWER INPUT.
64. DSM SIGNAL OUTPUT. INCLUDES 15 FOOT LONG CABLE.
65. .31-18 UNC-2A 4 PLACES, FOR MOUNTING DSM.
66. .31-18 UNC-2A 4 PLACES, FOR MOUNTING DSM FILTER.

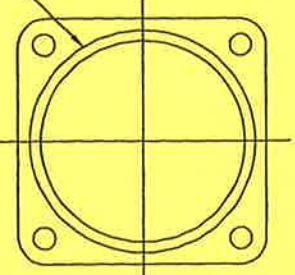
- A. S.A.E NUMBER 00 FLYWHEEL HOUSING
- B. TIMING HOLE PAD
- C. ENGINE WATER DRAIN
- D. GOVERNOR, HYDRAULIC
- E. SAFETY GUARD
- F. LUBE OIL DIPSTICK (BOTH SIDES)
- G. LUBE OIL FILLER
- H. LUBE OIL STRAINER
- J. AIR/GAS MOTORIZED PRE-LUBE PUMP
- K. LUBE OIL FILTER ASSEMBLY (SHIPPED LOOSE)
- L. CRANKCASE BREATHER (2)
- M. AIR CLEANERS (2)
- P. MANUAL BARRING DEVICE
- Q. ENGINE LEVELING BOLTS (4) 1.00-8 UNC-2B THREAD
- R. 24.00 [610] LONG FLEXIBLE METAL HOSE (SHIPPED LOOSE)
- S. 24.00 [610] LONG FLEXIBLE METAL HOSE (SHIPPED LOOSE)
- T. GOVERNOR SPEED CONTROL HAND LEVER
- U. THROTTLE LEVER
- V. LUBE OIL COOLER ASSEMBLY (SHIPPED LOOSE)
- W. FLEXIBLE EXHAUST CONNECTION (SHIPPED LOOSE)
- X. 24.00 [610] LONG FLEXIBLE METAL HOSE (SHIPPED LOOSE)
- UU. PNUEMATIC CONTROL PANEL CONSISTING OF START, STOP, PRELUBE, AND SAFETY RESET
- XX. CEC IGNITION MODULE
- BA. DETONATION SENSING MODULE (DSM) (SHIPPED LOOSE)
- CA. DSM FILTER (SHIPPED LOOSE)

4.03 [102] DIA. FOR 4.00 [102] O.D. TUBE, 4.53 [115] DIA. -.25 [6] DEEP FOR 4.00 PIPE OR 4.50 [114] O.D. TUBE, .72 [18] FLANGE THICKNESS



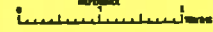
VIEW OF JACKET WATER INLET FLANGE
SCALE : 1:2

5.06 [129] DIA. FOR 5.00 [127] O.D. TUBE, 5.59 [142] DIA. -.25 [6] DEEP FOR 5.00 PIPE OR 5.50 [140] O.D. TUBE, .72 [18] FLANGE THICKNESS



VIEW OF JACKET WATER OUTLET FLANGE
SCALE : 1:2

NOTE 1: ALL GAS VENTED AND/OR DISCHARGED FROM ENGINE EQUIPMENT SHOULD BE PIPED TO A SAFE AREA TO MEET APPLICABLE CODES.
NOTE 2. ROTATIONS ARE VIEWED FROM FLYWHEEL END.



DIMENSIONS ARE IN INCHES (MILLIMETERS)

THIS PRINT IS PROVIDED ON A RESTRICTED BASIS, NOT TO BE USED IN ANY WAY DETRIMENTAL TO THE INTEREST OF WAUKESHA ENGINE DIVISION.

THE MANUFACTURER RESERVES THE RIGHT TO CHANGE OR MODIFY THE DESIGN OR EQUIPMENT SPECIFICATIONS AS HEREIN SET FORTH WITHOUT INCURRING ANY OBLIGATION EITHER WITH RESPECT TO ENGINES PREVIOUSLY SOLD OR IN THE PROCESS OF CONSTRUCTION.

MODELS	REFERENCE DRAWINGS	MATERIAL	DR.C.E. DATE 8-26-97	D	Waukesha	W
L5108G	L8041-239	HEAT TREATMENT	DR.REO DATE 8-27-97			
L5790G			APP.RLK DATE 9-27-97			
L7042G						

AUTOCAD
MAKE NO REVISIONS
ON THIS REVISIONABLE

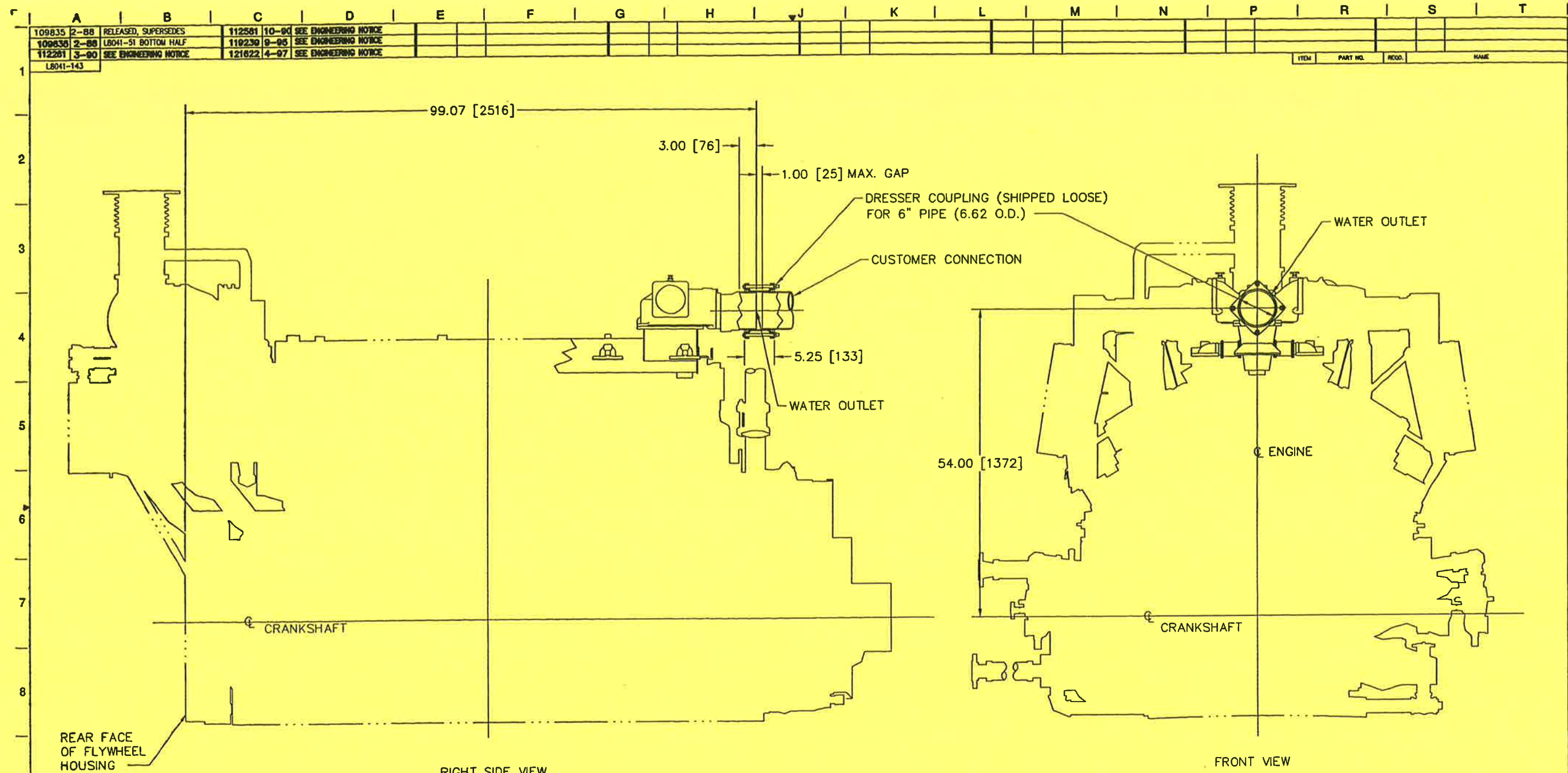
NAME
INSTALLATION
DRAWING

PART NO.
L8041-267

SHEET 4 OF 4 | SCALE 1:8

GENERAL NOTES		GENERAL NOTES		ISSUED FOR CONSTRUCTION		BY DATE CKD ENG		APPROVED		DRAWN		PROPAG		1478 HP STOCK COMPRESSOR PACKAGE ENGINE REFERENCE DWG. WAUKESHA 7042 GL		440 East Lake Road, Postal Bag #2 Airdrie, Alberta Canada T4B 2C3	
DATE: 2000.05.19 3:32pm	FILE NAME: J:\jobs99\DWG\99404\Comp\ASY\ASY-99404-152-ENG-04.dwg	No.	REVISION	BY	DATE	CKD	ENG	MECH/STRUCT.	DATE	BY	DATE	DWG. No.: B-ASY-99404-152-ENG		SHEET 4 OF 10		REV.	

THE DESIGN IT COVERS ARE CONFIDENTIAL AND THE PROPERTY OF PROPAK SYSTEMS LTD., AND SHALL NOT BE DISCLOSED TO OTHERS OR REPRODUCED IN ANY MANNER OR USED FOR ANY PURPOSE WHATSOEVER EXCEPT BY WRITTEN CONSENT OF PROPAK.



ENGINE OUTLINE IS FOR REFERENCE ONLY -- DOES NOT REFLECT ANY SPECIFIC ENGINE ORDER.

ACCESSORY CODE 4342
WATER OUTLET CONNECTION

REPLACES ENGINE CONNECTION 4 ON STANDARD PRICE CODE INSTALLATION DRAWING.

AUTOCAD
PLOT IN PLOTTER OR ON THE REPRODUCIBLE

NAME	ENGINE ACCESSORY
PART NO.	L8041-143
SHEET	1 OF 1
SCALE	1:8

THIS PRINT IS PROVIDED ON A RESTRICTED BASIS, NOT TO BE USED IN ANY WAY DETERMINANT TO THE INTEREST OF WAUKESHA ENGINE DIVISION.

THE MANUFACTURER RESERVES THE RIGHT TO CHANGE OR MODIFY THE DESIGN OR EQUIPMENT SPECIFICATIONS AS HEREIN SET FORTH WITHOUT INCURRING ANY OBLIGATION EITHER WITH RESPECT TO ENGINES PREVIOUSLY SOLD OR IN THE PROCESS OF CONSTRUCTION.

MOODS	REFERENCE DRAWINGS	MATERIAL
WHP		HEAT TREATMENT
12 C.YL	CC	
G & D		

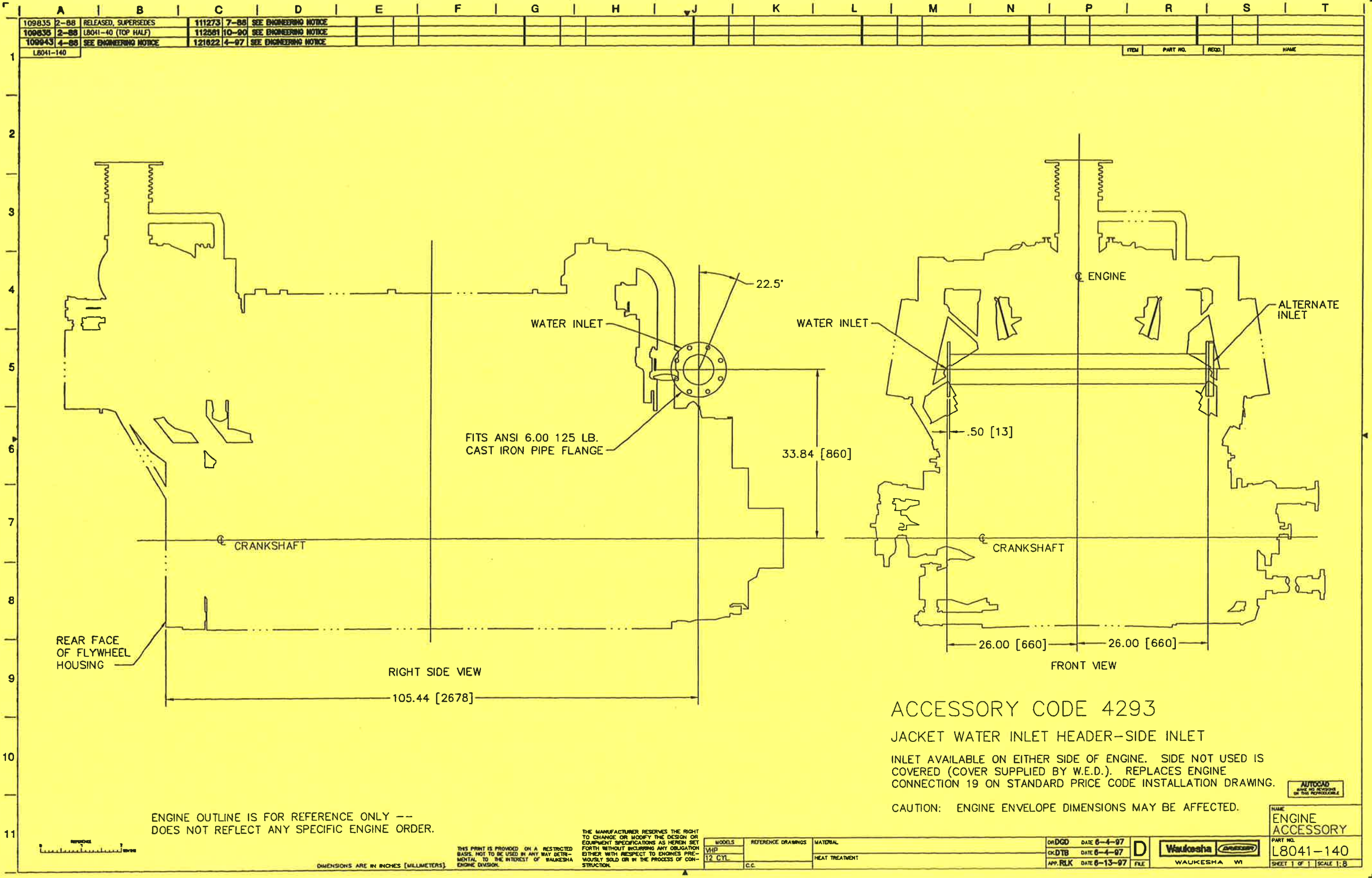
DR/DGD	DATE 8-4-97
CK/DTB	DATE 8-4-97
APP/PLK	DATE 8-13-97



DATE: 2000.05.19 3:32pm		FILE NAME: J:\jobs99\DWG\99404\Comp\ASY\ASY-99404-152-ENG-05.dwg		No.		REVISION		BY DATE CKD ENG		S.FARWELL 00/05/19 M.F. 4/2		APPROVED		DRAWN		PROPAC		1478 HP STOCK COMPRESSOR PACKAGE		ENGINE REFERENCE DWG.		WAUKESHA ACCESSORY CODE 4342		DWG. No.: B-ASY-99404-152-ENG SHEET 5 OF 10		REV.	
GENERAL NOTES		GENERAL NOTES		1		ISSUED FOR CONSTRUCTION		S.FARWELL 00/05/19 M.F. 4/2		BY DATE CKD ENG		MECH./STRUCT.		BY S.FARWELL		PROPAC		1478 HP STOCK COMPRESSOR PACKAGE		ENGINE REFERENCE DWG.		WAUKESHA ACCESSORY CODE 4342		DWG. No.: B-ASY-99404-152-ENG SHEET 5 OF 10		REV.	

PROPAK
440 East Lake Road,
Postal Bag #2
Airdrie, Alberta
Canada T4B 2C3

THIS DRAWING IS CONFIDENTIAL AND THE PROPERTY OF PROPAK SYSTEMS LTD. AND SHALL NOT BE DISCLOSED TO OTHERS OR REPRODUCED IN ANY MANNER OR USED FOR ANY PURPOSE WHATSOEVER EXCEPT BY WRITTEN CONSENT OF PROPAK.



ENGINE OUTLINE IS FOR REFERENCE ONLY -- DOES NOT REFLECT ANY SPECIFIC ENGINE ORDER.

ACCESSORY CODE 4293
JACKET WATER INLET HEADER-SIDE INLET

INLET AVAILABLE ON EITHER SIDE OF ENGINE. SIDE NOT USED IS COVERED (COVER SUPPLIED BY W.E.D.). REPLACES ENGINE CONNECTION 19 ON STANDARD PRICE CODE INSTALLATION DRAWING.

CAUTION: ENGINE ENVELOPE DIMENSIONS MAY BE AFFECTED.

AUTOCAD FILE NO. REVISED BY THIS REPRODUCIBLE

NAME	ENGINE ACCESSORY
PART NO.	L8041-140
SHEET 1 OF 1	SCALE 1:8

THE MANUFACTURER RESERVES THE RIGHT TO CHANGE OR MODIFY THE DESIGN OR EQUIPMENT SPECIFICATIONS AS HEREIN SET FORTH WITHOUT INCURRING ANY OBLIGATION EITHER WITH RESPECT TO ENGINES PREVIOUSLY SOLD OR IN THE PROCESS OF CONSTRUCTION.

THIS PRINT IS PROVIDED ON A RESTRICTED BASIS. NOT TO BE USED IN ANY WAY DETRIMENTAL TO THE INTEREST OF WAUKESHA ENGINE DIVISION.

DIMENSIONS ARE IN INCHES [MILLIMETERS]

WOODS	REFERENCE DRAWINGS	MATERIAL
12 CYL	C.E.	HEAT TREATMENT

DR/DGD	DATE 6-4-97
CK/DTB	DATE 6-4-97
APP/RLK	DATE 6-13-97



APPROVED		DRAWN	
MECH/STRUCT.	BY S.FARWELL	DATE	00/05/19
ELECTRICAL	CHECKED	DATE	M.I.
PROJECT	DATE 00/05/29	SCALE	N.T.S.

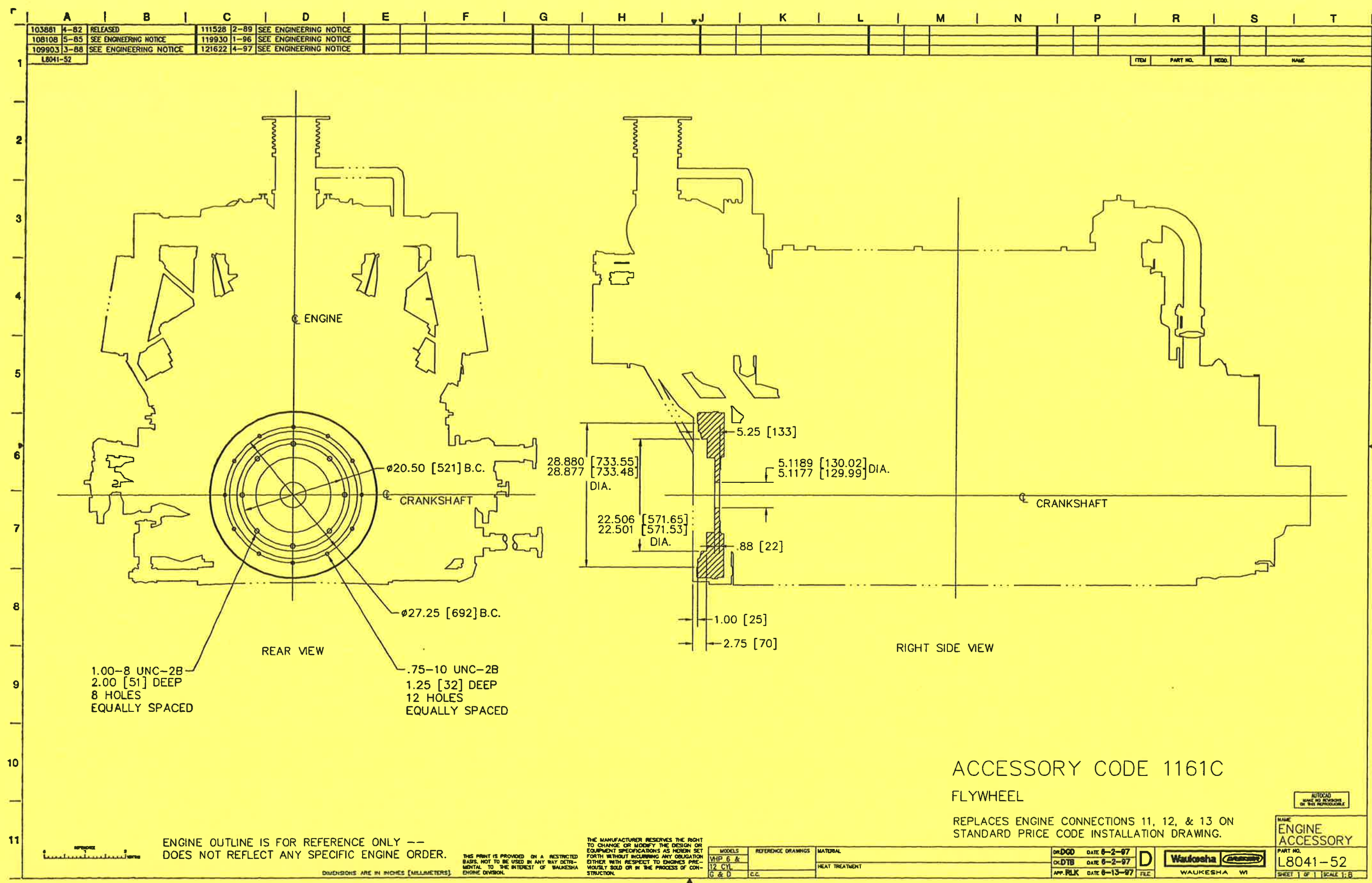
PROPAC	
1478 HP STOCK COMPRESSOR PACKAGE	
ENGINE REFERENCE DWG.	
WAUKESHA ACCESSORY CODE 4293	
DWG. No.:	B-ASY-99404-152-ENG SHEET 6 OF 10 REV. 1

PROPAK
 440 East Lake Road,
 Postal Bag #2
 Airdrie, Alberta
 Canada T4B 2C3

THIS DRAWING AND

GENERAL NOTES	1	ISSUED FOR CONSTRUCTION	S.FARWELL	00/05/19	M.I.	29
No.		REVISION	BY	DATE	CKD	ENG

THE DESIGN IS CONFIDENTIAL AND THE PROPERTY OF PROPAK SYSTEMS LTD., AND SHALL NOT BE DISCLOSED TO OTHERS OR REPRODUCED IN ANY MANNER OR USED FOR ANY PURPOSE WHATSOEVER EXCEPT BY WRITTEN CONSENT OF PROPAK.



103881	4-82	RELEASED	111528	2-89	SEE ENGINEERING NOTICE
108108	5-85	SEE ENGINEERING NOTICE	119930	1-96	SEE ENGINEERING NOTICE
109903	3-88	SEE ENGINEERING NOTICE	121622	4-97	SEE ENGINEERING NOTICE
L8041-52					

1.00-8 UNC-2B
 2.00 [51] DEEP
 8 HOLES
 EQUALLY SPACED

.75-10 UNC-2B
 1.25 [32] DEEP
 12 HOLES
 EQUALLY SPACED

ACCESSORY CODE 1161C
FLYWHEEL

REPLACES ENGINE CONNECTIONS 11, 12, & 13 ON
 STANDARD PRICE CODE INSTALLATION DRAWING.

AUTOCAD
 MAKE NO RESPONSE
 OR BE REPRODUCIBLE

NAME
**ENGINE
 ACCESSORY**

PART NO.
L8041-52

SHEET 1 OF 1 SCALE 1:1

ENGINE OUTLINE IS FOR REFERENCE ONLY --
 DOES NOT REFLECT ANY SPECIFIC ENGINE ORDER.

THIS PRINT IS PROVIDED ON A RESTRICTED
 BASIS, NOT TO BE USED IN ANY WAY DETRIMENTAL
 TO THE INTEREST OF WAUKESHA
 ENGINE DIVISION.

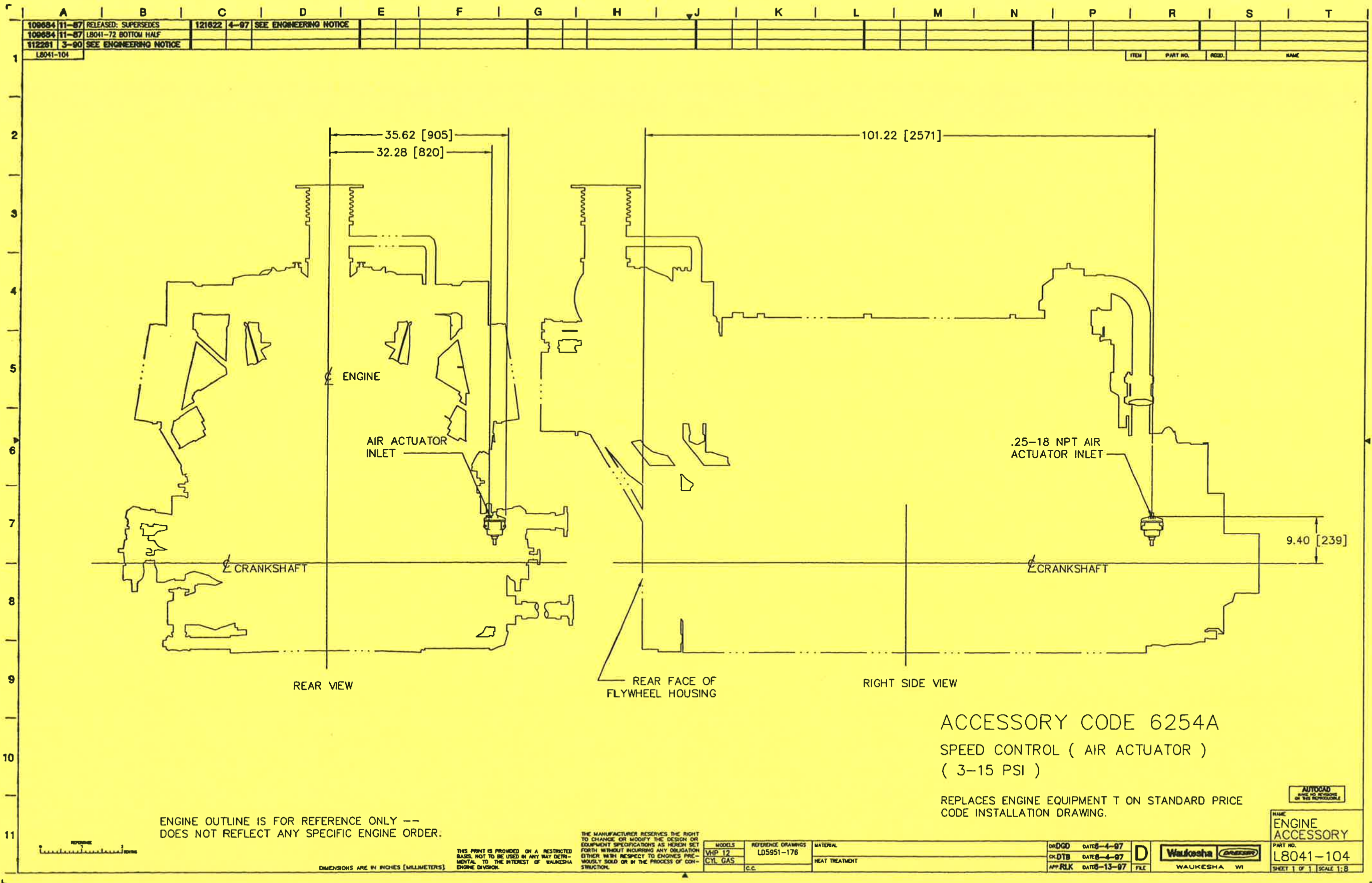
THE MANUFACTURER RESERVES THE RIGHT
 TO CHANGE OR MODIFY THE DESIGN OR
 EQUIPMENT SPECIFICATIONS AS HEREIN SET
 FORTH WITHOUT INCLUDING ANY OBLIGATION
 EITHER WITH RESPECT TO ENGINES PRE-
 VIOUSLY SOLD OR IN THE PROCESS OF CON-
 STRUCTION.

MODELS	REFERENCE DRAWINGS	MATERIAL
VHP 6 & 1/2 CYL G & D	E.C.	HEAT TREATMENT

DR.DGD	DATE 8-2-97	
CL.DTB	DATE 8-2-97	
APP.PLK	DATE 8-13-97	

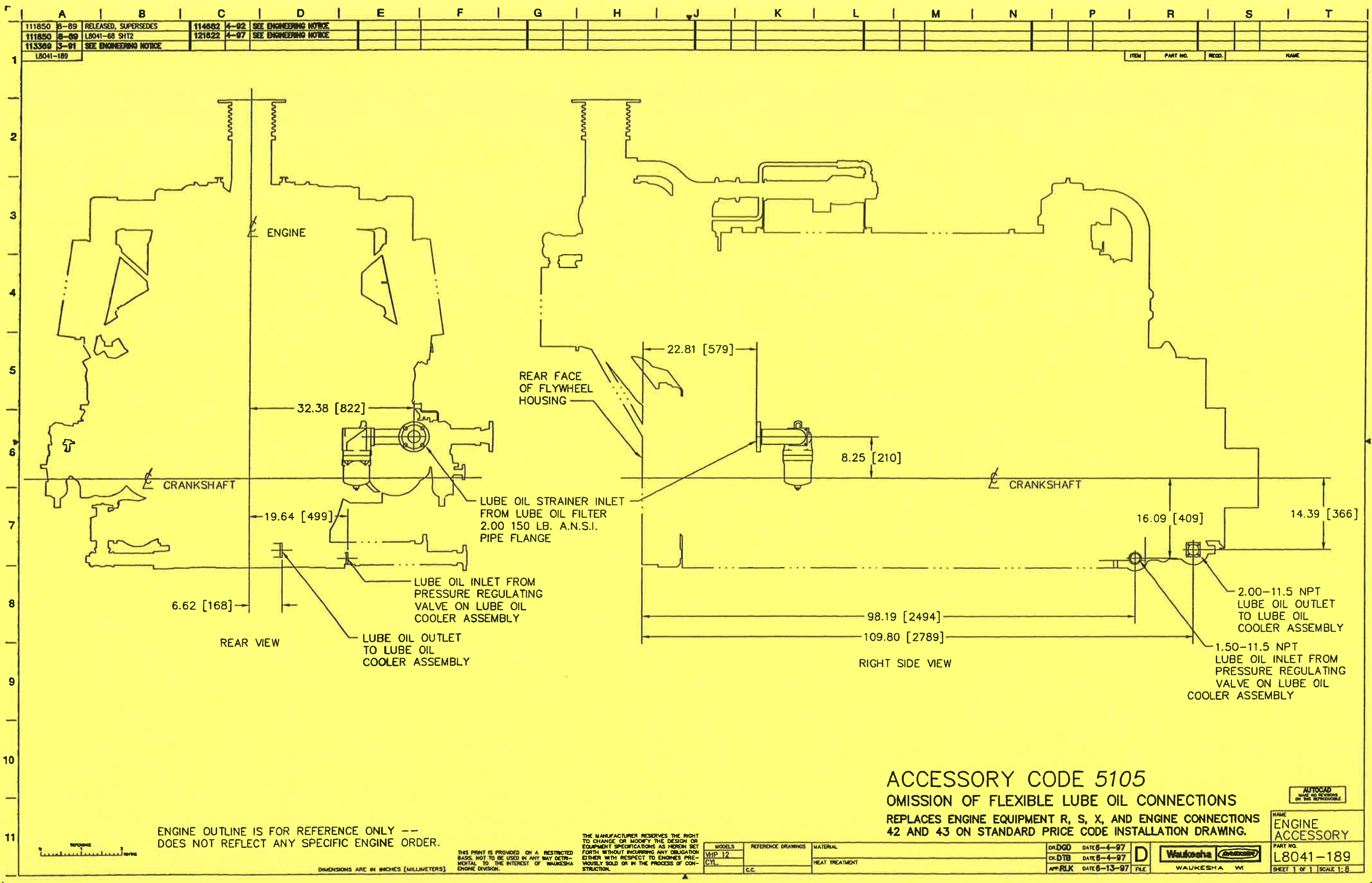
GENERAL NOTES DATE: 2000.05.19 3:31pm FILE NAME: J:\jobs99\DWG\99404\Comp\ASY\ASY-99404-152-ENG-08.dwg		GENERAL NOTES 1 ISSUED FOR CONSTRUCTION		BY S.FARWELL DATE 00/05/19 CKD M.F. ENG J.S.		APPROVED MECH./STRUCT. BY S.FARWELL DATE 00/05/19 ELECTRICAL CHECKED DATE BY DATE PROJECT DATE 00/05/19 DATE		DRAWN BY S.FARWELL DATE 00/05/19 CHECKED DATE BY DATE DATE		PROPAK 1478 HP STOCK COMPRESSOR PACKAGE ENGINE REFERENCE DWG. WAUKESHA ACCESSORY CODE 1161C		PROPAK 440 East Lake Road, Postal Bag #2 Airdrie, Alberta Canada T4B 2C3	
No. REVISION		BY DATE CKD ENG		SCALE N.T.S.		DWG. No.: B-ASY-99404-152-ENG SHEET 8 OF 10 REV. 1							

TO OTHERS OR REPRODUCED IN ANY MANNER OR USED FOR ANY PURPOSE WHATSOEVER EXCEPT BY WRITTEN CONSENT OF PROPAC. THE DESIGN IT COVERS ARE CONFIDENTIAL AND THE PROPERTY OF PROPAC SYSTEMS LTD., AND SHALL NOT BE DISCLOSED.



GENERAL NOTES DATE: 2000.05.19 3:30pm FILE NAME: J:\jobs99\DWG\99404\Comp\ASY\ASY-99404-152-ENG-09.dwg		GENERAL NOTES 1 ISSUED FOR CONSTRUCTION		S.FARWELL 00/05/19 M.T. 4/24		APPROVED MECH./STRUCT. BY S.FARWELL DATE 00/05/19 ELECTRICAL CHECKED DATE M.I. PROJECT 5/1/04 DATE 05/05/04		DRAWN BY S.FARWELL DATE 00/05/19 CHECKED DATE M.I. DATE 02/05/24		PROPAC 1478 HP STOCK COMPRESSOR PACKAGE ENGINE REFERENCE DWG. WAUKESHA ACCESSORY CODE 6254A		PROPAC 440 East Lake Road, Postal Bag #2 Airdrie, Alberta Canada T4B 2C3	
No. REVISION		BY DATE CKD ENG		SCALE N.T.S.		DWG. No.: B-ASY-99404-152-ENG SHEET 9 OF 10 REV. 1							

THE DESIGN IT COVERS ARE CONFIDENTIAL AND THE PROPERTY OF PROPAG SYSTEMS LTD. AND SHALL NOT BE DISCLOSED TO OTHERS OR REPRODUCED IN ANY MANNER OR USED FOR ANY PURPOSE WHATSOEVER EXCEPT BY WRITTEN CONSENT OF PROPAG.



ACCESSORY CODE 5105
OMISSION OF FLEXIBLE LUBE OIL CONNECTIONS
 REPLACES ENGINE EQUIPMENT R, S, X, AND ENGINE CONNECTIONS 42 AND 43 ON STANDARD PRICE CODE INSTALLATION DRAWING.

AUTOCAD DATE AND REVISIONS ON THE REPRODUCIBLE	
NAME	ENGINE ACCESSORY
PART NO.	L8041-189
SHEET 1 OF 1	SCALE 1:8

MODELS	REFERENCE DRAWINGS	MATERIAL	DR.DWG DATE 6-4-97	D	Waukesha	W
VHP 12		HEAT TREATMENT	CK.DTB DATE 6-4-97			
CYL.			APP.RLK DATE 6-13-97	FILE	WAUKESHA	WI

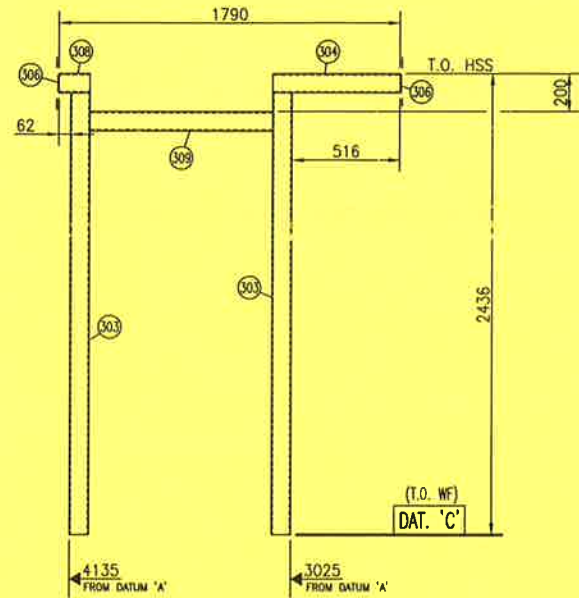
APPROVED		DRAWN		PROPAG	
MECH/STRUCT.	BY S.FARWELL	BY S.FARWELL	DATE 00/05/19	1478 HP STOCK COMPRESSOR PACKAGE	
DATE	DATE 00/05/19	DATE	CHECKED	ENGINE REFERENCE DWG.	
ELECTRICAL	BY M.I.	DATE	DATE 00/05/19	WAUKESHA ACCESSORY CODE 5105	
DATE	DATE 05/12/19	SCALE	N.T.S.	DWG. No.: B-ASY-99404-152-ENG	SHEET 10 OF 10
PROJECT	DATE	SCALE	N.T.S.	REV. 1	

PROPAG
 440 East Lake Road,
 Postal Bag #2
 Airdrie, Alberta
 Canada T4B 2C3

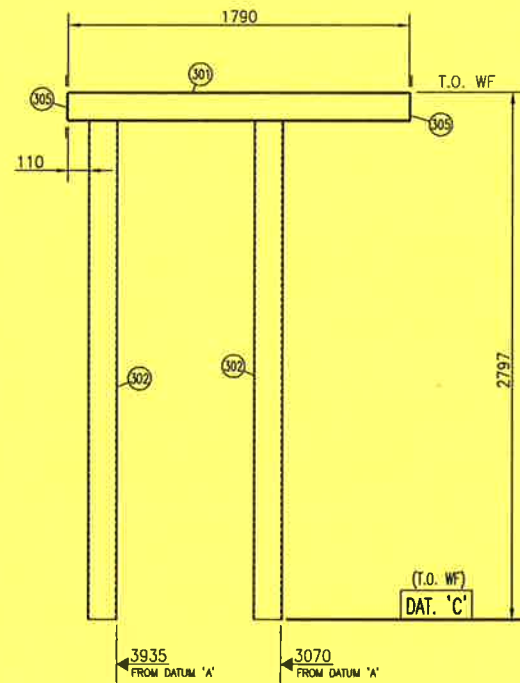
DATE: 2000.05.19 3:29pm FILE NAME: J:\jobs99\DWG\99404\Comp\ASY\ASY-99404-152-ENG-10.dwg

1	ISSUED FOR CONSTRUCTION	S.FARWELL	00/05/19	M.I.	MF
No.	REVISION	BY	DATE	CKD	ENG

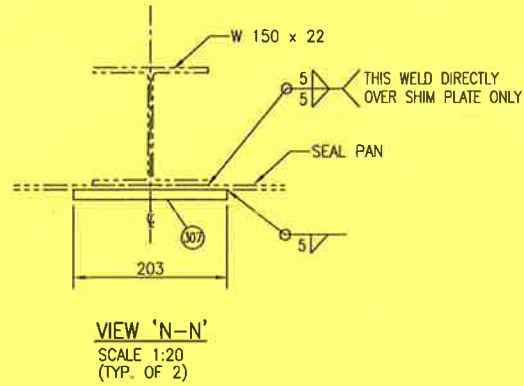
THIS DRAWING AND THE DESIGN IT COVERS ARE CONFIDENTIAL AND THE PROPERTY OF PROPAP SYSTEMS LTD. AND SHALL NOT BE DISCLOSED TO OTHERS OR REPRODUCED IN ANY MANNER OR USED FOR ANY PURPOSE WHATSOEVER EXCEPT BY WRITTEN CONSENT OF PROPAP



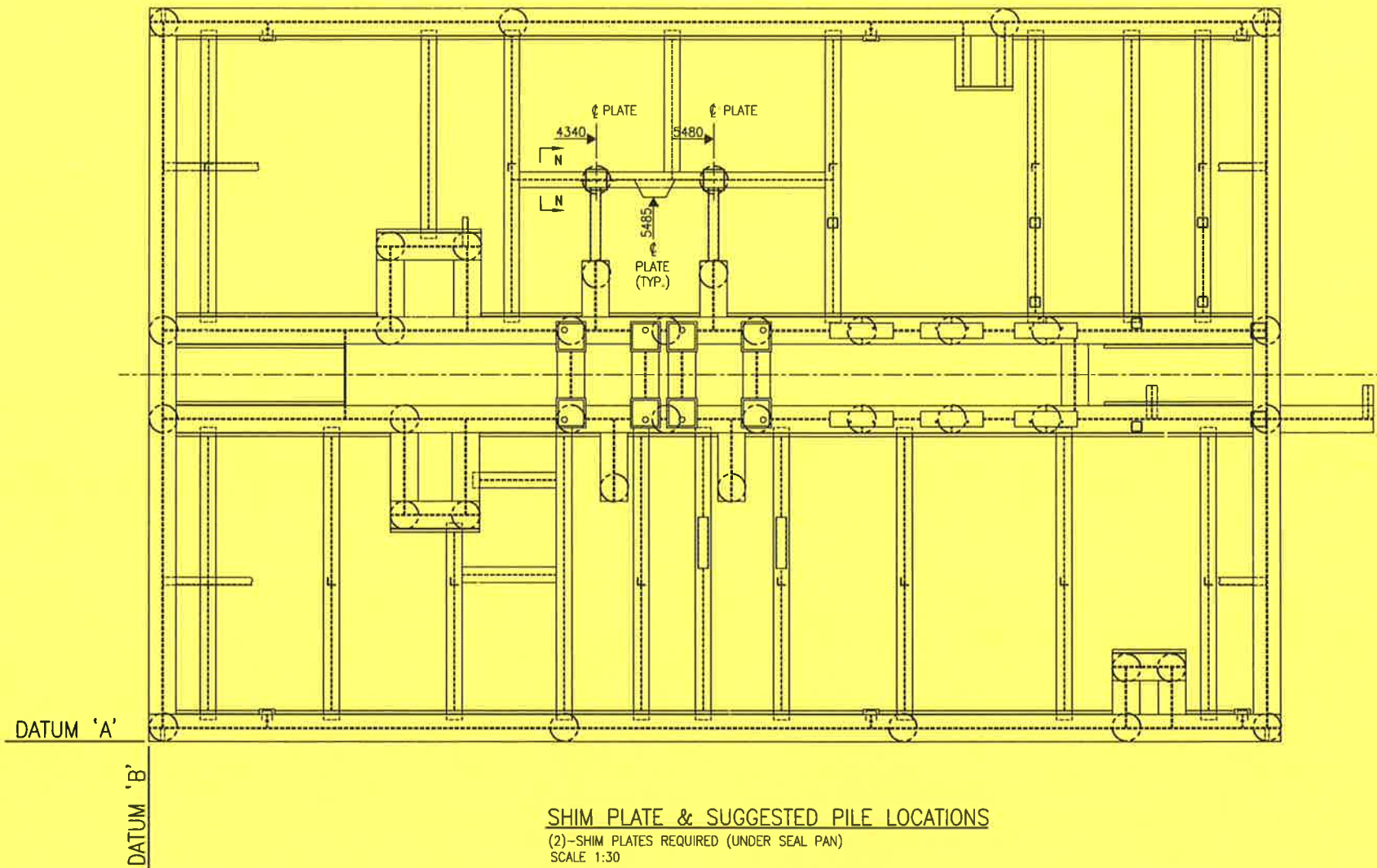
DETAIL 'PS-01' SCALE 1:20



DETAIL 'PS-02' SCALE 1:20



BILL OF MATERIAL			
ITEM	QUA	DESCRIPTION	
301	1	W150 x 22 x 1790 LG.	G40.21M-300W
302	2	HSS: 152 x 152 x 6 THK. x 2642 LG.	G40.21M-350W
303	2	HSS: 102 x 102 x 6 THK. x 2334 LG.	G40.21M-350W
304	1	HSS: 102 x 102 x 6 THK. x 618 LG.	G40.21M-350W
305	2	F/BAR: 6 THK. x 152 x 143 LG.	G40.21M-300W
306	2	F/BAR: 6 THK. x 90 SQ.	G40.21M-300W
307	2	F/BAR: 13 THK. x 203 SQ.	G40.21M-300W
308	1	HSS: 102 x 102 x 6 THK. x 164 LG.	G40.21M-350W
309	1	HSS: 102 x 102 x 6 THK. x 1005 LG.	G40.21M-350W



SHIM PLATE & SUGGESTED PILE LOCATIONS
(2)-SHIM PLATES REQUIRED (UNDER SEAL PAN)
SCALE 1:30

GENERAL NOTES		GENERAL NOTES		APPROVED		DRAWN		PROJECT	
DATE: 2000.10.16 3:22pm	FILE NAME: J:\jobs99\DWG\99404\Comp\SKD\SKD-99404-314A-04.dwg	No.	REVISION	BY	DATE	CKD	ENG	MECH./STRUCT.	DATE
		2	REVISED 'PS-01'	PHIL R.	00/10/16			BY	S. FARWELL
		1	ISSUED FOR CONSTRUCTION	S. FARWELL	00/05/17			DATE	00/05/03
								CHECKED	
								BY	S. LESLIE
								DATE	00/05/17
								SCALE	AS NOTED

PROPAP
 440 East Lake Road,
 Postal Bag #2
 Airdrie, Alberta
 Canada T4B 2C3

PROPAP
 1478 HP STOCK COMPRESSOR
 SKID STEEL
 DETAILS
 DWG. No.: D-SKD-99404-314A SHEET 4 OF 4 REV. 2

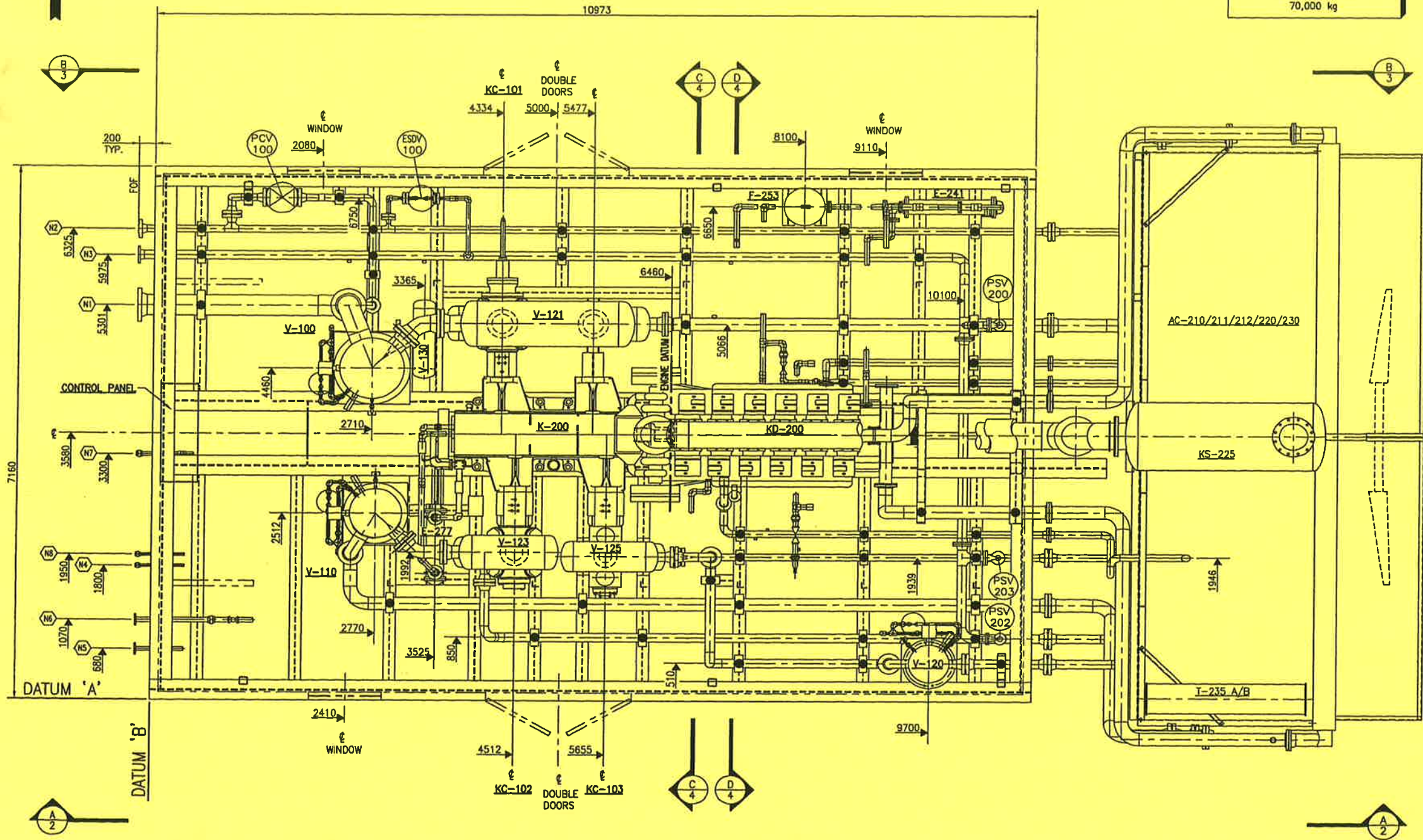
THIS DRAWING AND THE DESIGN IT COVERS ARE CONFIDENTIAL AND THE PROPERTY OF PROPAK SYSTEMS LTD., AND SHALL NOT BE DISCLOSED TO OTHERS OR REPRODUCED IN ANY MANNER OR USED FOR ANY PURPOSE WHATSOEVER EXCEPT BY WRITTEN CONSENT OF PROPAK.

SHIPPING DIMENSIONS:
 WIDTH: 7160 mm
 LENGTH: 12087 mm
 HEIGHT: 6020 mm

TOTAL SHIPPING WEIGHT:
 (INCL. BLDG., STEEL, PIPING)
 COOLER NOT INCL.
 70,000 kg

NOZZLE SCHEDULE						
MK	SIZE	RATING	FACING	SERVICE	Ø	ELEVATION
N1	273	300#	RFWN	INLET		-426
N2	89	900#	RFWN	OUTLET		-518
N3	114	150#	RFWN	FLARE		-505
N4	33	3000#	UNION	HCL DRAIN		-150
N5	60	150#	RFSW	CLEAN FUEL GAS SUPPLY		-150
N6	60	150#	RFSW	CLEAN START GAS SUPPLY		-150
N7	48	3000#	UNION	WASTE OIL PUMP OUT		-150
N8	33	3000#	UNION	INSTRUMENT AIR		-216

⊕ ELEVATIONS ARE FROM T.O. WF



MAJOR COMPONENTS

COMPRESSOR: DRESSER RAND 6HOS 4 THROW, 3 STAGE	WEIGHTS: 8390 kg (INCL. CYLINDERS)
DRIVER: WAUKESHA L7042GL	9525 kg
COOLER: AERIAL COOLER PROPAK 1-SV-1-156-312-F	20700 kg
SCRUBBERS:	
V-100 1st STG.: 813ø x 1930 S/S x 4516 kPag	1842 kg
V-110 2nd STG.: 660ø x 1626 S/S x 4516 kPag	1080 kg
V-120 3rd STG.: 508ø x 1473 S/S x 9067 kPag	816 kg
BOTTLES:	
STAGE #1	
V-121 SUCTION: 610ø x 1778 S/S x 4516 kPag	797 kg
V-122 DISCHARGE: 457ø x 2235 S/S x 4447 kPag	586 kg
STAGE #2	
V-123 SUCTION: 457ø x 914 S/S x 4516 kPag	301 kg
V-124 DISCHARGE: 406ø x 1016 S/S x 8908 kPag	460 kg
STAGE #3	
V-125 SUCTION: 406ø x 914 S/S x 9067 kPag	402 kg
V-126 DISCHARGE: 356ø x 1016 S/S x 11377 kPag	393 kg

UNBALANCED INERTIA FORCES ON FOUNDATION

FOUNDATION MUST BE DESIGNED TO RESIST THE FOLLOWING FORCES:

MAXIMUM HORIZONTAL PRIMARY FORCES	347 LBS
MAXIMUM HORIZONTAL SECONDARY FORCES	82 LBS
MAXIMUM VERTICAL PRIMARY FORCES	0 LBS
MAXIMUM VERTICAL SECONDARY FORCES	0 LBS

MAXIMUM HORIZONTAL PRIMARY MOMENT (ABT. AXIS Z-Z) 14,422 FT-LBS
 MAXIMUM HORIZONTAL SECONDARY MOMENT (ABT. AXIS Z-Z) 1112 FT-LBS
 MAXIMUM VERTICAL PRIMARY MOMENT (ABT. AXIS Y-Y) 25,157 FT-LBS
 MAXIMUM VERTICAL SECONDARY MOMENT (ABT. AXIS Y-Y) 0 FT-LBS

ABOVE UNBALANCED FIGURED AT 1200 RPM. 2 LB. MAX. BALANCE

AT OTHER SPEEDS THIS UNBALANCED WILL VARY BY: $(\frac{\text{NEW SPEED}}{\text{CALCULATED SPEED}})^2$

NOTED 1: MOMENT TAKEN ABOUT AXIS THROUGH CENTER OF SHAFT FORCES AS ACTING ON CENTER OF SHAFT.

NOTED 2: PRIMARY FORCES AND THE MOMENTS CHANGE FROM ZERO TO MAXIMUM GIVEN ABOVE TO ZERO TO SAME MAXIMUM IN REVERSE DIRECTION AND BACK TO ZERO ONCE IN A CRANKSHAFT REVOLUTION. SECONDARY FORCES AND MOMENTS GO THROUGH THIS CYCLE TWICE IN A REVOLUTION. THE SKETCH SHOWS THIS.

NOTED 3: UNIT ORIGIN IS @ DATUM INTERSECTION @ TOP OF SHG
 NOTED 4: UNIT APPROX. CENTRE OF GRAVITY: (X,Y,Z) = (SEE LIFTING DIAGRAM SHG.2)

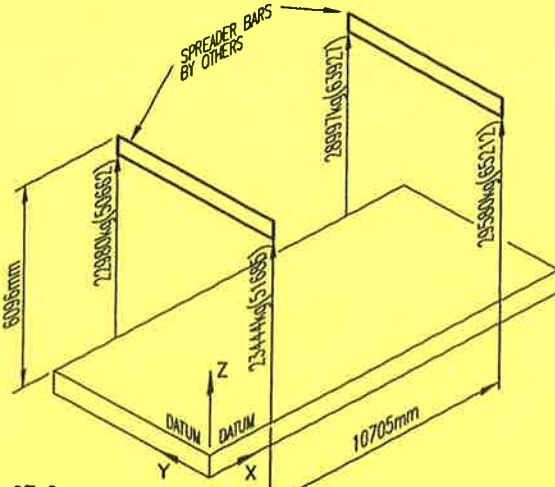
CLAMPING LEGEND
 ● DENOTES HEAVY DUTY CLAMP

PLAN VIEW

GENERAL NOTES		GENERAL NOTES		REVISION		APPROVED		DRAWN		PROJECT	
DATE: 2000.09.21 2:16pm FILE NAME: J:\jobs99\DWG\99404\Comp\ASY\ASY-99404-352-01.dwg		1 ENGINE WAS WAUKESHA 5794GSI & UNBALANCED FORCES REV'D. O. SMITH 00/09/21		BY: O. SMITH DATE: 00/09/21		MECH./STRUCT. BY: S.F./D. SMITH DATE: 00/09/21		ELECTRICAL BY: V. ZAVIATA DATE: 00/09/21		PROJECT DATE: 00/09/21	
						DATE: 00/09/21		CHECKED: V. ZAVIATA		SCALE: 1:30	
								PROJECT: 1478 HP STOCK COMPRESSOR PACKAGE		DWG. No.: D-ASY-99404-352 SHEET 1 OF 4 REV. 1	

PROPAK
 440 East Lake Road,
 Postal Bag #2
 Aldrie, Alberta
 Canada T4B 2C3

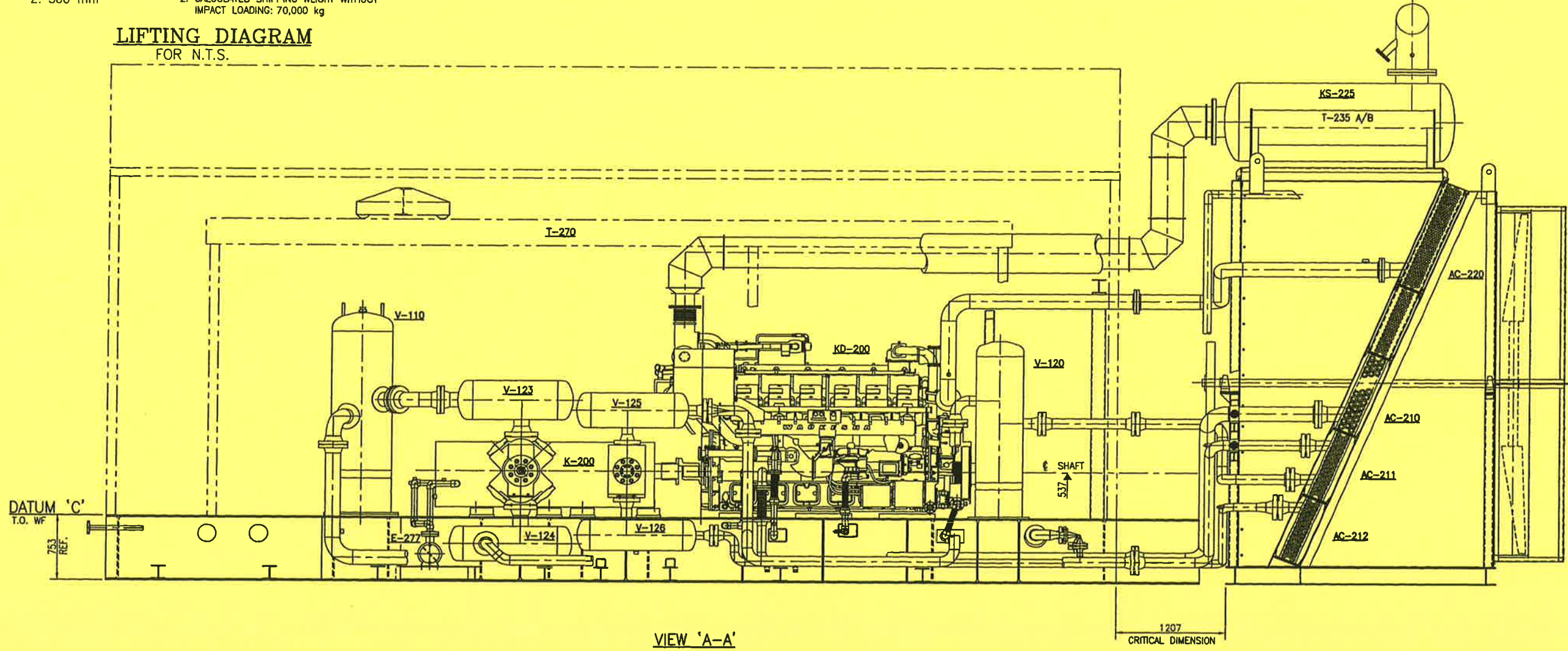
THE DESIGN IT COVERS ARE CONFIDENTIAL AND THE PROPERTY OF PROPAK SYSTEMS LTD., AND SHALL NOT BE DISCLOSED TO OTHERS OR REPRODUCED IN ANY MANNER OR USED FOR ANY PURPOSE WHATSOEVER EXCEPT BY WRITTEN CONSENT OF PROPAK.



C. OF G.
 DIMS FROM DATUM
 X: 6110 mm
 Y: 3545 mm
 Z: 380 mm

NOTE:
 1. WEIGHTS SHOWN IN DIAGRAM INCLUDE 50% EXCESS FOR DYNAMIC LOADING
 2. CALCULATED SHIPPING WEIGHT WITHOUT IMPACT LOADING: 70,000 kg

LIFTING DIAGRAM
FOR N.T.S.



VIEW 'A-A'

GENERAL NOTES	GENERAL NOTES	No.	REVISION	BY	DATE	CRD	ENG
		1	ENGINE WAS WAJKESHA 5794GSI	D. SMITH	00/09/21		

APPROVED		DRAWN	
MECH./STRUCT.	BY	S.F./D.	SMITH
DATE	DATE	00/09/21	
ELECTRICAL	CHECKED		
DATE	BY	G. ZAVALLA	
PROJECT	DATE	02/09/21	
DATE			
	SCALE	1:25	

PROPAK	
1478 HP STOCK COMPRESSOR PACKAGE LAYOUT (VIEW 'A-A')	
DWG. No.: D-ASY-99404-352	SHEET 2 OF 4 REV. 1

PROPAK
 440 East Lake Road,
 Postal Bag #2
 Airdrie, Alberta
 Canada T4B 2C3

