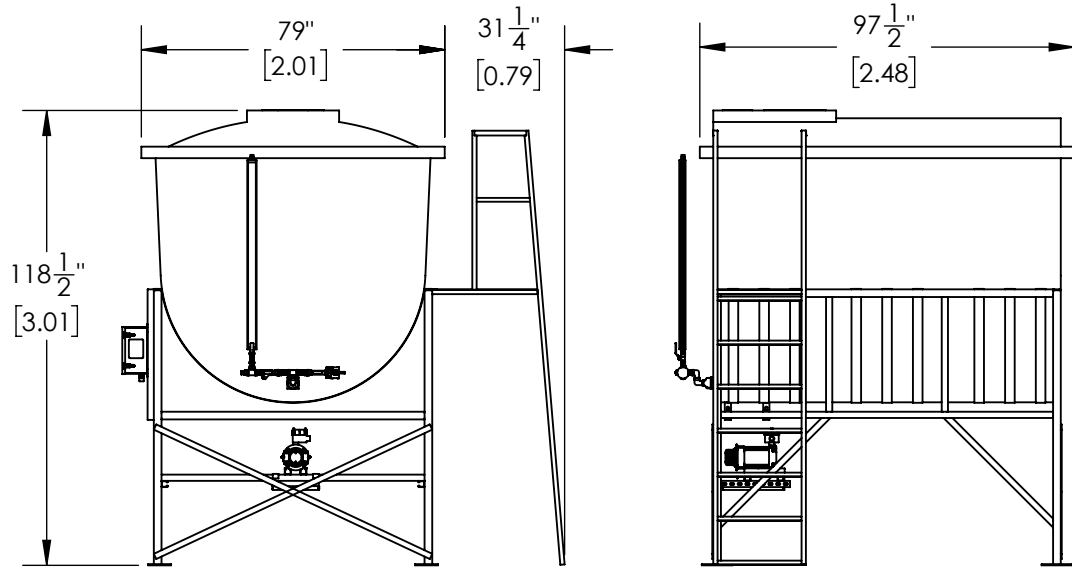
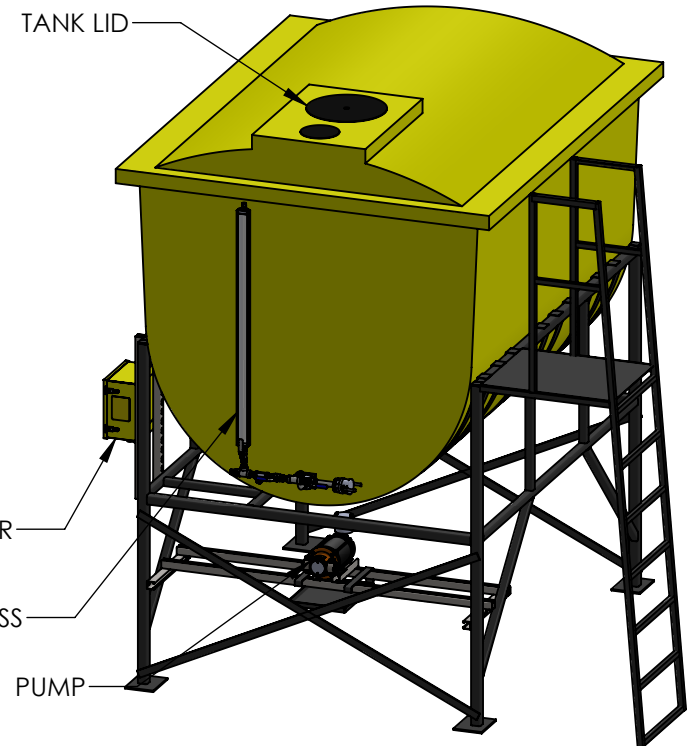



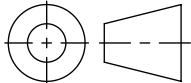
REVISIONS			
REV.	DESCRIPTION	DATE	APPROVED



REFERENCE
ONLY



- NOTES:
1. DRY WEIGHT: 1400 LBS (APPROX.)
 2. DIMENSIONS ARE IN INCHES. METRIC DIMENSIONS ARE SHOWN IN BRACKETS [METERS]
 3. LADDER AND PUMP CONTROLLER MAY BE CONFIGURED FOR LEFT SIDE OR RIGHT SIDE ACCESS

UNLESS OTHERWISE SPECIFIED DIM ARE IN INCHES INTERPRET DIM PER ASME Y14.5-2009 REMOVE BURRS AND BREAK EDGES TOLERANCES: X/Y ± 1/16 SURFACE 125 ✓ X.X ± 0.1 ROUGHNESS X.XX ± 0.01 X.XXX ± 0.005 ANGULAR ± 0.5°	APPROVALS DRAWN C JABUSCH	DATE 2019-03-06	 SIRIUS INSTRUMENTATION & CONTROLS INC 5721 99 STREET EDMONTON ALBERTA, CANADA, T6E 3N8 WWW.SIRIUSCONTROLS.COM		
	APPROVED C JABUSCH	DATE 2019-03-06		DOCUMENT TITLE CHEMICAL INJECTION SYSTEM, 1000 GALLON, DUAL WALL - GENERAL ARRANGEMENT	
THIRD ANGLE PROJECTION 	THIS DRAWING, SUBJECT MATTER AND INFORMATION CONTAINED THEREIN, IS THE SOLE, EXCLUSIVE AND CONFIDENTIAL PROPERTY OF SIRIUS INSTRUMENTATION, AND AS SUCH, SHALL NOT BE DISCLOSED, COPIED, REPRODUCED OR USED, IN WHOLE OR IN PART, WITHOUT EXPRESSED WRITTEN PERMISSION OF SIRIUS INSTRUMENTATION OR ITS REPRESENTATIVES.		SIZE A	DRAWING NUMBER 092-009	REV
DO NOT SCALE		SHEET	1 OF 1		