

STAR TECK® Teck Cable Fittings

Easy installation saves time, money!



STAR TECK XP® Jacketed Metal-Clad Cable Fittings for Hazardous Locations

Application

- Provide means for passing armored, metal clad, jacketed cables through a bulkhead or enclosure in hazardous areas (these fittings are suitable for hazardous areas when used with T&B sealing compound)
- Form a mechanical grip and water- and/or oil-resistant termination
- Provide grounding continuity of cable armor

Cable Type

- JMC, MC-HL, Teck

Features

- Sealing chamber is easier to fill, requires less sealing compound — saves time, material. Flame path is optimally designed to enable easy insertion into hub. Quick-turn lock
- Internal splines
- Union features twist-on action; red color for high visibility
- Exclusive Power Grip. Provides grip that's high up on cable armor non-magnetic stainless steel Power Grip grounding ring
- Low-profile gland nut

Materials

Aluminum is standard material
 Add suffix "S" for steel with zinc plating
 Add suffix "PVC" for corrosion-resistant PVC coating
 Add suffix "SS" for stainless steel material

Environment Classification

Suitable for hazardous locations. Class I Div. 2; Class II Div. 2; Class III. Where explosion-proof or dust-proof fittings are required by code, use STAR TECK XP® fittings (STX Series)
 NEMA 4, 4X (stainless steel)
 Suitable for use in wet locations and concrete-tight (steel) applications per UL 514B
 UL File No. E82038/E38947
 CSA File No. LR23086

Range

Available in hub sizes from ½" to 4", and will handle outer jacket diameters from .525" to 4.185"



1. Prepare cable



2. Install Star Teck XP® on cable



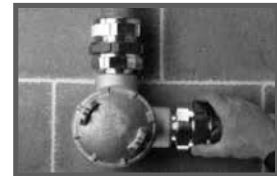
3. Tighten gland nut



4. Pot cable (using liquid or putty)



5. Install hub on enclosure



6. Insert cable and tighten red union

Sealing chamber is easier to fill, requires less sealing compound — saves time, material. Flame path is optimally designed to enable easy insertion into hub. Quick-turn lock secures assembly during installation.

Exclusive Power Grip. Provides grip that's high up on cable armor — not on first convolution — so precise cable preparation is not critical. Non-magnetic stainless steel Power Grip grounding ring ensures 360° long-term dependable grounding. It provides phenomenal tensile pullout resistance.

Hub has hexagonal shape for dependable tool grip.

Low-profile gland nut fits tightest spaces. Has grooves for hammer/screwdriver installation and flats for wrench-gripping. Durable and reusable with funnel entry for easy cable insertion.

Internal splines enable installer to tighten gland nut either on or off enclosure.

Tapered bushing. Cone-shaped to provide secure, tight fit while eliminating cupping of water in vertical installations.

Copper-free construction. All-aluminum body and gland nut resist corrosion, oxidation.

Union features twist-on action for easy connection and disconnection; red color ensures high visibility, easy recognition. Union also serves as a "puller" during disassembly.

Stainless steel retaining ring. Withstands corrosive environments. Non-magnetic.

STAR TECK® Teck Cable Fittings

STAR TECK XP® Jacketed Metal-Clad Cable Fittings for Hazardous Locations

CAT. NO.	HUB SIZE NPT	CABLE RANGE OVER JACKET (IN.)		CABLE RANGE OVER ARMOR (IN.)		DIMENSIONS (IN.)			SEALING COMPOUND REQUIRED	
		MIN.	MAX.	MIN.	MAX.	A	B*	C	SC65** PUTTY (G)	SC4-KIT** LIQUID (CC)
						MIN.				
STX075-465	3/4	.725	.885	.615	.805	.612	2.62	1.82	14	7
STX075-466	3/4	.825	.985	.715	.905	.720	2.62	1.82	14	7
STX100-467	1	.880	1.065	.770	.985	.755	2.83	2.30	30	16
STX100-468	1	1.025	1.205	.915	1.125	.900	2.83	2.30	30	16
STX125-469	1 1/4	1.187	1.375	1.077	1.295	1.062	3.05	2.51	45	22
STX150-470	1 1/2	1.357	1.625	1.240	1.545	1.182	3.76	3.26	80	43
STX150-550	1 1/2	1.500	1.625	1.390	1.545	1.370	3.76	3.26	80	43
STX150-471	1 1/2	1.600	1.875	1.490	1.795	1.470	3.76	3.26	80	43
STX200-472	2	1.700	1.965	1.590	1.885	1.557	4.05	3.62	125	66
STX200-473	2	1.900	2.187	1.790	2.107	1.757	4.05	3.62	125	66
STX200-474	2	2.100	2.375	1.990	2.280	1.995	4.15	4.02	150	80
STX250-475	2 1/2	2.300	2.565	2.200	2.485	2.185	4.31	4.58	341	164
STX250-476	2 1/2	2.500	2.750	2.380	2.656	2.365	4.31	4.58	341	164
STX300-478	3	2.580	2.840	2.477	2.750	2.460	5.64	5.10	497	239
STX300-479	3	2.790	3.060	2.677	2.970	2.660	5.80	5.33	609	293
STX350-480	3 1/2	3.000	3.270	2.880	3.190	2.864	6.32	5.79	965	464
STX350-481	3 1/2	3.210	3.480	3.080	3.390	3.062	6.32	5.79	965	464
STX400-482	4	3.420	3.690	3.307	3.590	3.290	6.63	6.19	1323	636
STX400-483	4	3.610	3.870	3.477	3.770	3.460	6.63	6.19	1323	636
STX400-484	4	3.810	4.030	3.650	3.930	3.630	7.09	6.90	1645	791
STX400-485	4	3.965	4.185	3.794	4.065	3.775	7.09	6.90	1645	791

* Approximate dimension before installation.

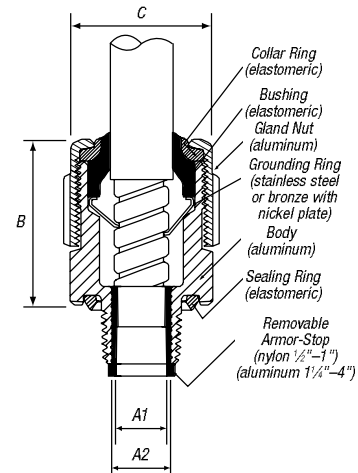
** One unit of SC65 putty type sealing compound contains 60 g. One unit of SC4-Kit liquid type sealing compound contains 66 cc and includes a dispensing syringe and fiber damming material.

CAUTION: STAR TECK XP® fittings must be installed with Thomas & Betts catalog numbers SC4-KIT or SC65 sealing compound (purchase separately). See installing instructions.

Note: Stainless Steel (SS suffix) STX and STEX fittings have a NEMA 4X rating.

Sealing Compounds

CAT. NO.	DESCRIPTION	VOLUME
SC65	Putty-Type Sealing Compound	60 grams
SC4-KIT	Liquid-Type Sealing Compound for use in high wire density applications (5 or more wires)	2.8 fl. oz. (66 cc)



UL Connectors When Used with Putty-Type Listed or Liquid-Type Compound for:

1/2" thru 3" Class I	Div. 1	Groups A, B, C, D
Class II	Div. 2	Groups F, G
Class III		
Enclosure Type 4		

Connectors When Used with Putty-Type or Liquid-Type Compound for:

3 1/2" & 4" Class I	Div. 1	Groups B, C, D
Class II	Div. 2	Groups F, G
Class III		Enclosure Type 4

CSA Certified for:

Class I	Division 1 and 2	Groups A, B, C, D
Class II	Division 1 and 2	Groups E, F, G
Class III, SL (Integral Seal)		Enclosure Type 4