

PLAN VIEW  
(SCALE: NONE)

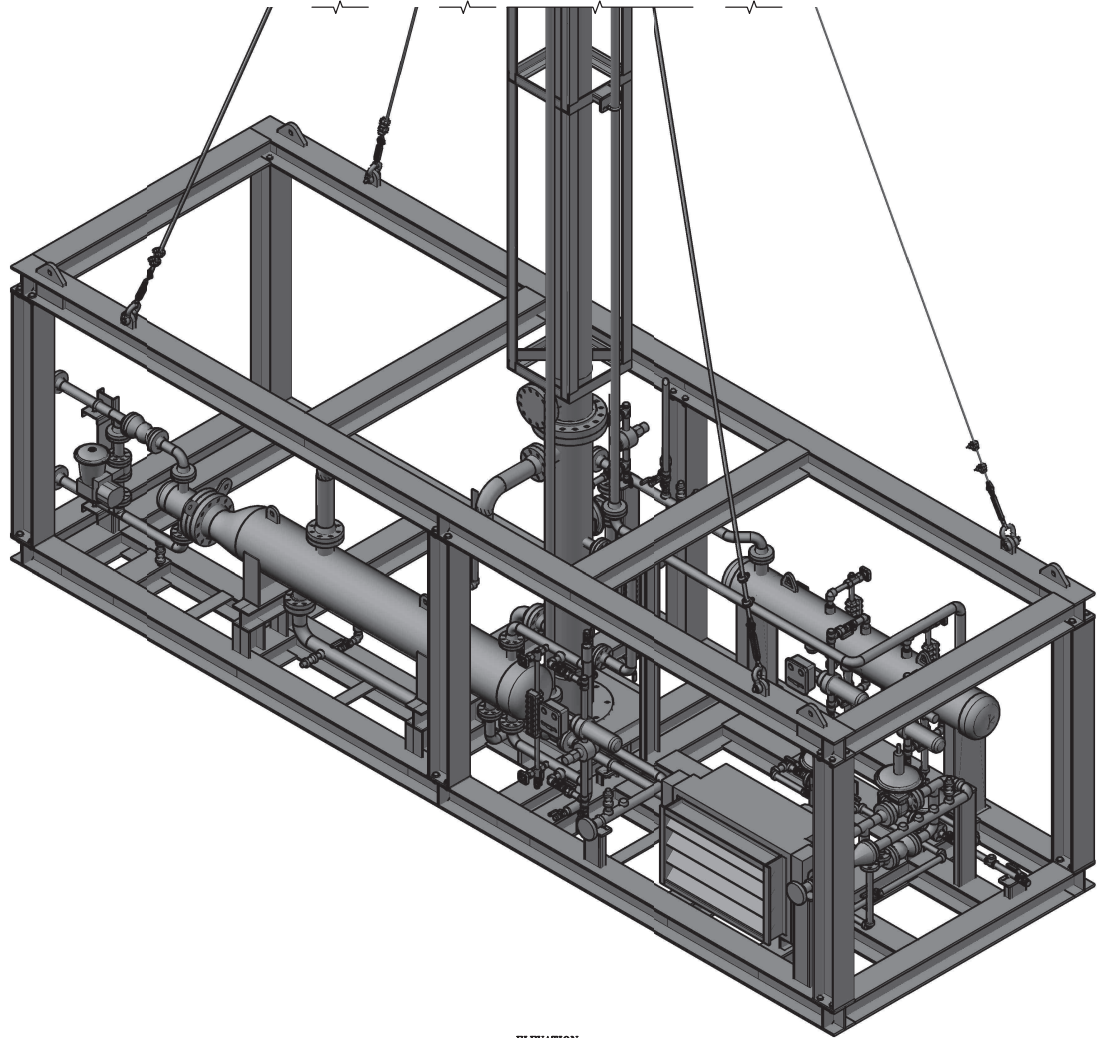
**PROPRIETARY NOTES:**  
 WEDGE ENERGY SERVICES, L.L.C. CLAIMS PROPRIETARY RIGHTS IN THE MATERIAL DISCLOSED HEREON. NEITHER THIS DRAWING NOR ANY REPRODUCTION THEREOF MAY BE USED TO MANUFACTURE ANYTHING SHOWN HEREON WITHOUT PERMISSION IN WRITING FROM WEDGE ENERGY SERVICES, L.L.C. TO THE USER. SPECIFICALLY REFERRING TO THIS DRAWING, THESE DESIGNS ARE THE PROPERTY OF WEDGE ENERGY SERVICES, L.L.C. SUBJECT TO COPYRIGHT PROTECTION UNDER FEDERAL LAW.

NO.	ISSUED FOR CONSTRUCTION	DATE	BY	NO.	DRAWING STATUS / REVISION - DESCRIPTION	BY	DATE
0	ISSUED FOR CONSTRUCTION	09/29/14	JM				

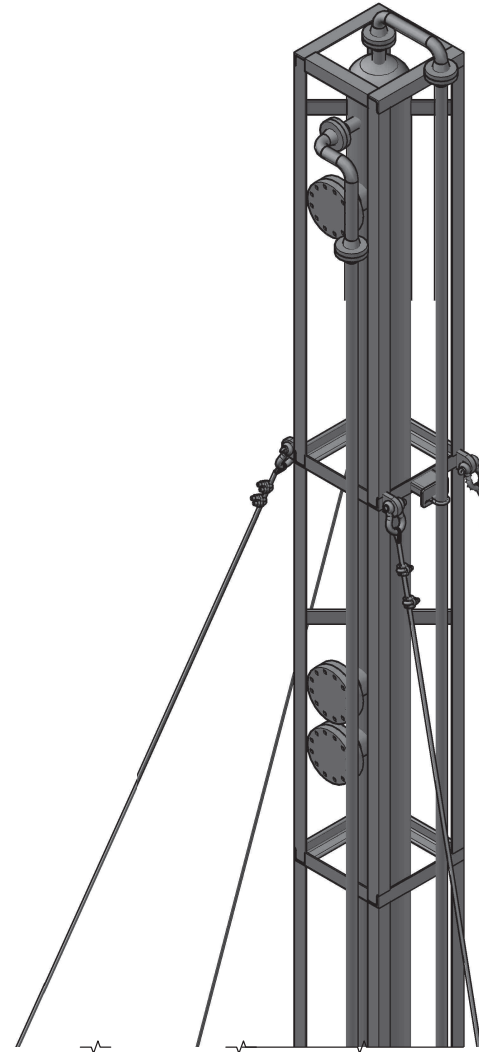
WEDGE RECORD		
DESIGN	JT	10/02/12
DESIGN ENG.	MWM	10/02/12

**WEDGE ENERGY SERVICES, L.L.C.**  
 481 N. BROADWAY ST.  
 JOSHUA, TX 76058  
 Phone: 817.426.9810  
 Fax: 817.426.9777

CSU-500B	
P.O.#/AFE:	SHOP ORDER #:
CLIENT:	
DRAWING NO.	REV.
CSU-500B-2	0
DESCRIPTION: 500 BBL NGL STABILIZER - OVERHEAD VIEW	



ELEVATION  
ISOMETRIC VIEW  
(SCALE: NONE)



30° ISOMETRIC VIEW  
SHEET 3 OF 17

PROPRIETARY NOTES:									
1	WEDGE ENERGY SERVICES, L.L.C. CLAIMS PROPRIETARY RIGHTS IN THE MATERIAL DISCLOSED HEREON. NEITHER THIS DRAWING NOR ANY REPRODUCTION THEREOF MAY BE USED TO MANUFACTURE ANYTHING SHOWN HEREON WITHOUT PERMISSION IN WRITING FROM WEDGE ENERGY SERVICES, L.L.C. TO THE USER SPECIFICALLY REFERRING TO THE DRAWING. THESE DESIGNS ARE THE PROPERTY OF WEDGE ENERGY SERVICES, L.L.C. SUBJECT TO COPYRIGHT PROTECTION UNDER FEDERAL LAW.								
2									
3									
4									
5									
0	ISSUED FOR CONSTRUCTION	JM	09/29/14						
NO.	DRAWING STATUS / REVISION - DESCRIPTION	BY	DATE	NO.	DRAWING STATUS / REVISION - DESCRIPTION	BY	DATE		

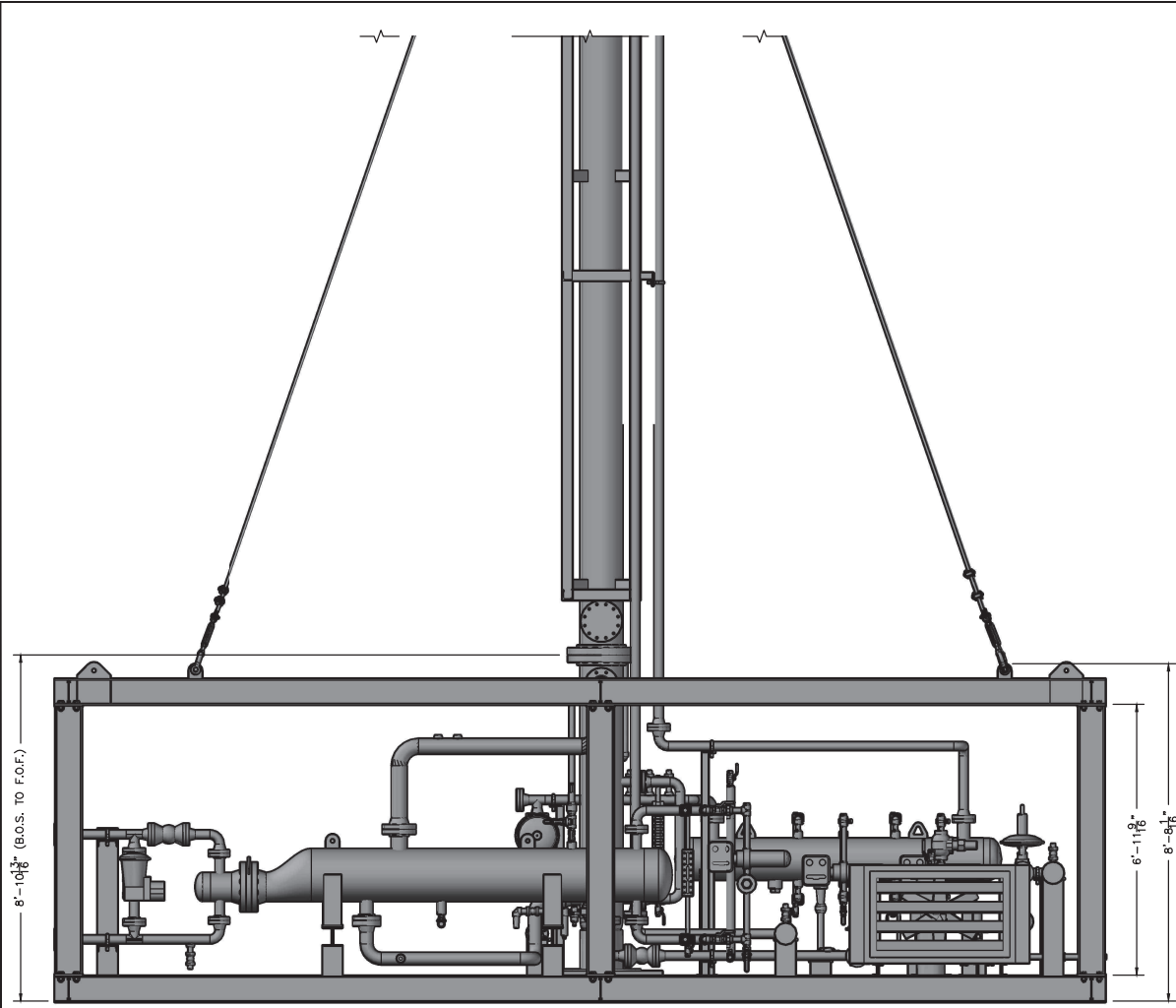
QUANTITY

\*

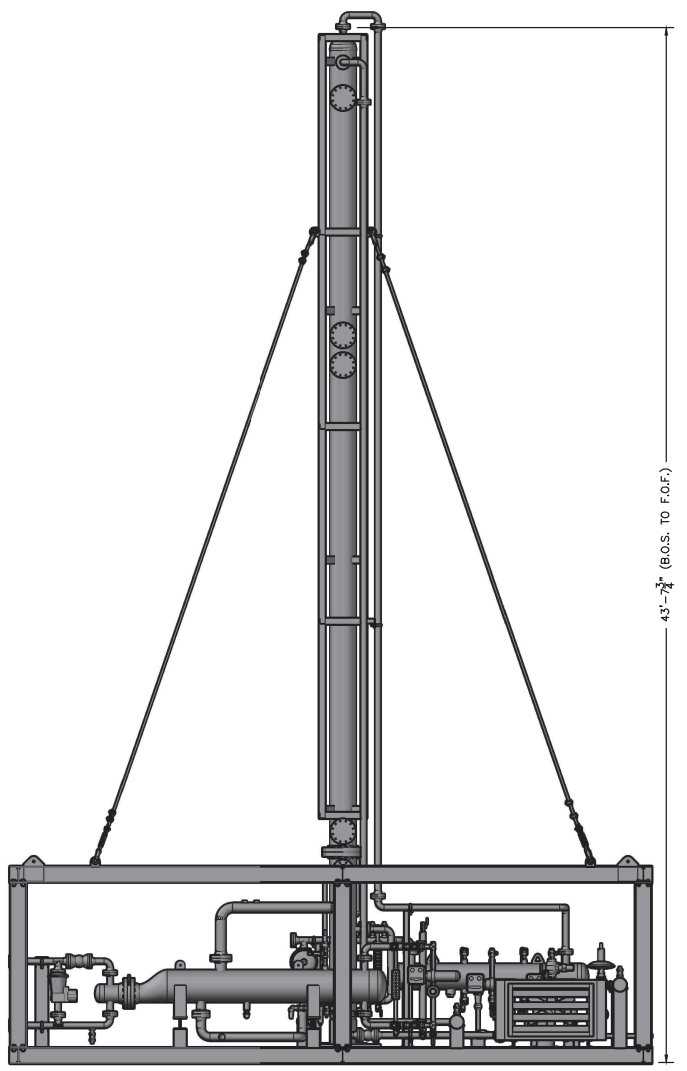
WEDGE RECORD		
DESIGN	JT	10/02/12
DESIGN ENG.	MWM	10/02/12
SCALE: NONE		

**WEDGE**  
ENERGY SERVICES, L.L.C.®  
461 N. BROADWAY ST.  
JOSHUA, TX. 76058  
Phone: 817.426.9810  
Fax: 817.426.9777

CSU-500B		P.O.#/AFE	SHOP ORDER #:
		CLIENT:	
		DESCRIPTION:	500 BBL/D NGL STABILIZER - 30° ISOMETRIC VIEW
DRAWING NO.	REV.		
CSU-500B-3	0		



**ELEVATION  
WEST SIDE (FRONT)**  
(SCALE: NONE)



**ELEVATION  
WEST SIDE (FRONT)**  
(SCALE: NONE)

PROPRIETARY NOTES:									
WEDGE ENERGY SERVICES, L.L.C. CLAIMS PROPRIETARY RIGHTS IN THE MATERIAL DISCLOSED HEREON. NEITHER THIS DRAWING NOR ANY REPRODUCTION THEREOF MAY BE USED TO MANUFACTURE ANYTHING SHOWN HEREON WITHOUT PERMISSION IN WRITING FROM WEDGE ENERGY SERVICES, L.L.C. TO THE USER SPECIFICALLY REFERRING TO THE DRAWING. THESE DESIGNS ARE THE PROPERTY OF WEDGE ENERGY SERVICES, L.L.C. SUBJECT TO COPYRIGHT PROTECTION UNDER FEDERAL LAW.									
0	ISSUED FOR CONSTRUCTION	JM	05/28/14						
NO.	DRAWING STATUS / REVISION - DESCRIPTION	BY	DATE	NO.	DRAWING STATUS / REVISION - DESCRIPTION	BY	DATE	NO.	DRAWING STATUS / REVISION - DESCRIPTION

QUANTITY	WEDGE RECORD		
	DESIGN	JT	10/02/12
	DESIGN ENG.	MWM	10/02/12
*	SCALE: NONE		

**WEDGE ENERGY SERVICES, L.L.C.**  
 451 N. BROADWAY ST.  
 JOSHUA, TX. 76058  
 Phone: 817.426.8810  
 Fax: 817.426.8777

CSU-500B	
P.O.#/AFE	SHOP ORDER #
CLIENT:	
DESCRIPTION:	500 BBL/D NGL STABILIZER - FRONT VIEW
DRAWING NO.	REV.
CSU-500B-4	0