

PLAN VIEW
(SCALE: NONE)

PROPRIETARY NOTES:
 WEDGE ENERGY SERVICES, L.L.C. CLAIMS PROPRIETARY RIGHTS IN THE MATERIAL DISCLOSED HEREON. NEITHER THIS DRAWING NOR ANY REPRODUCTION THEREOF MAY BE USED TO MANUFACTURE ANYTHING SHOWN HEREON WITHOUT PERMISSION IN WRITING FROM WEDGE ENERGY SERVICES, L.L.C. TO THE USER SPECIFICALLY REFERENCED TO THE DRAWING. THESE DESIGNS ARE THE PROPERTY OF WEDGE ENERGY SERVICES, L.L.C. SUBJECT TO COPYRIGHT PROTECTION UNDER FEDERAL LAW.

NO.	ISSUED FOR APPROVAL	BY	DATE	NO.	DRAWING STATUS / REVISION - DESCRIPTION	BY	DATE
A	ISSUED FOR APPROVAL	JM	05/16/14				

WEDGE RECORD		
DESIGN	JT	04/22/14
DESIGN ENG.	MM	04/22/14

WEDGE ENERGY SERVICES, L.L.C.
 461 N. BROADWAY ST. Phone: 817.426.9810
 JOSHUA, TX. 76058 Fax: 817.426.9777

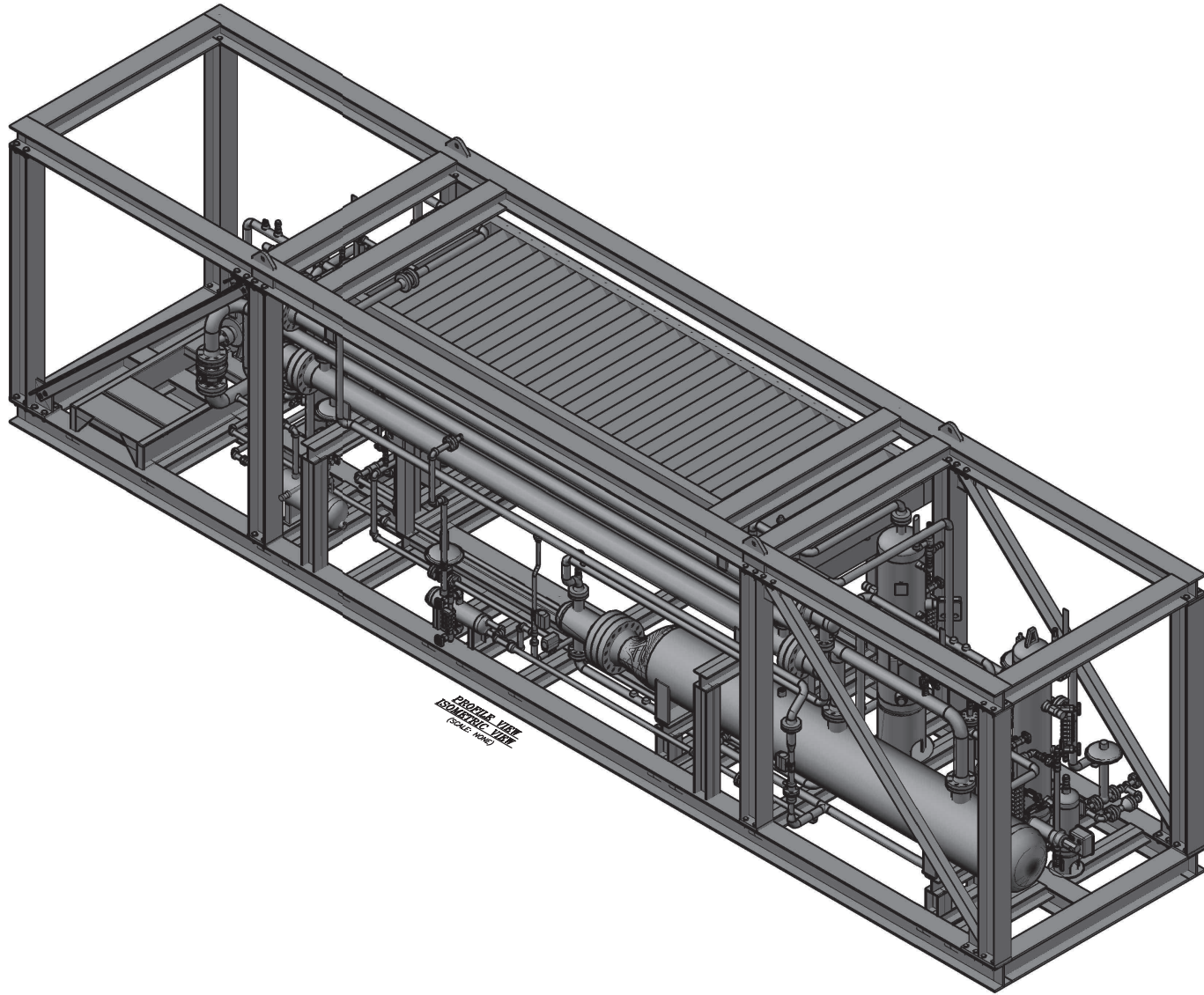
MRU-2000B	
P.O.#/AFE:	SHOP ORDER #:
CLIENT:	WEDGE ENERGY SERVICES
DESCRIPTION:	2MM REFRIGERATION UNIT - OVERHEAD VIEW

QUANTITY
*

SCALE: NONE

DRAWING NO. MRU-2000B-3

REV. A



PROPRIETARY NOTES:
 WEDGE ENERGY SERVICES, L.L.C. CLAIMS PROPRIETARY RIGHTS IN THE MATERIAL DISCLOSED HEREON. NEITHER THIS DRAWING NOR ANY REPRODUCTION THEREOF MAY BE USED TO MANUFACTURE ANYTHING SHOWN HEREON WITHOUT PERMISSION IN WRITING FROM WEDGE ENERGY SERVICES, L.L.C. TO THE USER SPECIFICALLY REFERRED TO IN THIS DRAWING. THESE DESIGNS ARE THE PROPERTY OF WEDGE ENERGY SERVICES, L.L.C. SUBJECT TO COPYRIGHT PROTECTION UNDER FEDERAL LAW.

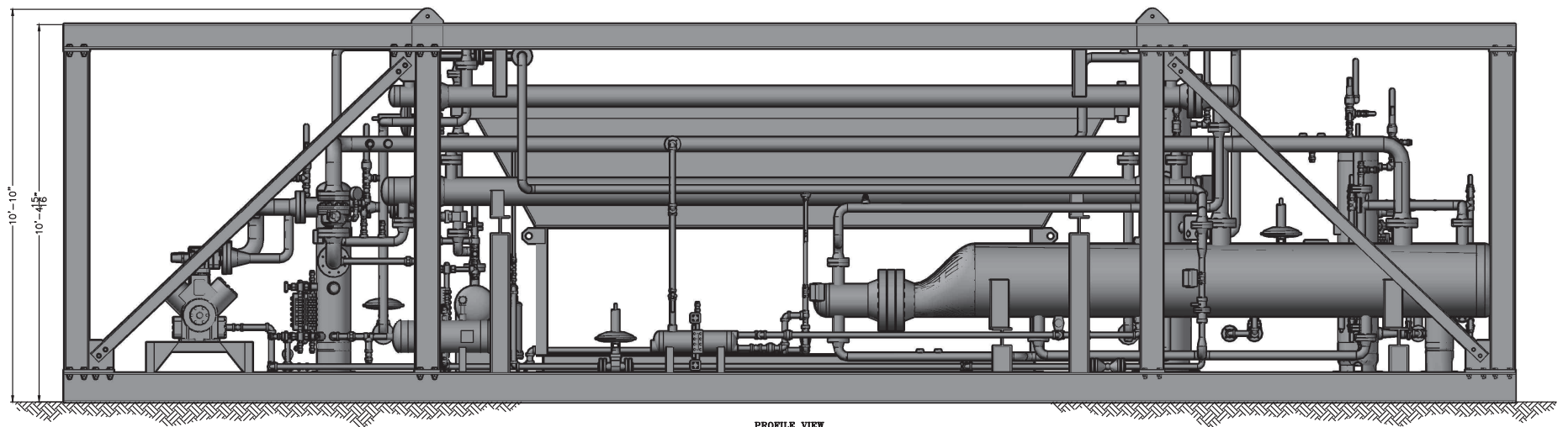
NO.	ISSUED FOR APPROVAL	BY	DATE	NO.	DRAWING STATUS / REVISION - DESCRIPTION	BY	DATE
A	ISSUED FOR APPROVAL	JM	05/16/14				

WEDGE RECORD		
DESIGN	JT	04/22/14
DESIGN ENG.	MM	04/22/14

WEDGE ENERGY SERVICES, L.L.C.
 481 N. BROADWAY ST. Phone: 817.426.9810
 JOSHUA, TX. 76058 Fax: 817.426.9777

MRU-2000B	
P.O.#/REV:	SHOP ORDER #:
CLIENT:	WEDGE ENERGY SERVICES
DESCRIPTION:	2MM REFRIGERATION UNIT - 30' ISOMETRIC VIEW

								SCALE: NONE			DRAWING NO. MRU-2000B-4		REV. A	
--	--	--	--	--	--	--	--	-------------	--	--	-------------------------	--	--------	--



**PROFILE VIEW
(FRONT SIDE)**
(SCALE: NONE)

PROPRIETARY NOTES:
 WEDGE ENERGY SERVICES, L.L.C. CLAIMS PROPRIETARY RIGHTS IN THE MATERIAL DISCLOSED HEREON. NEITHER THIS DRAWING NOR ANY REPRODUCTION THEREOF MAY BE USED TO MANUFACTURE ANYTHING SHOWN HEREON WITHOUT PERMISSION IN WRITING FROM WEDGE ENERGY SERVICES, L.L.C. TO THE USER SPECIFICALLY REFERRED TO IN THIS DRAWING. THESE DESIGNS ARE THE PROPERTY OF WEDGE ENERGY SERVICES, L.L.C. SUBJECT TO COPYRIGHT PROTECTION UNDER FEDERAL LAW.

NO.	ISSUED FOR APPROVAL	BY	DATE	NO.	DRAWING STATUS / REVISION - DESCRIPTION	BY	DATE
A	ISSUED FOR APPROVAL	JM	05/16/14				

WEDGE RECORD		
DESIGN	JT	04/22/14
DESIGN ENG.	MM	04/22/14

WEDGE ENERGY SERVICES, L.L.C.
 461 N. BROADWAY ST. Phone: 817.426.9810
 JOSHUA, TX, 78058 Fax: 817.426.9777

MRU-2000B	
P.O.#/W/E:	SHOP ORDER #:
CLIENT: WEDGE ENERGY SERVICES	
DESCRIPTION: 2MM REFRIGERATION UNIT - FRONT VIEW	

SCALE: NONE DRAWING NO. MRU-2000B-5 REV. A