

- COMBINED**
- ① EJW (58 GALS)
D.P. 14 P.S.I. @ 300/-20° F.
NOZZLES 6"-150 R.F.
 - ② EL0W/TAW (18.5 GALS)
D.P. 14 P.S.I. @ 300/-20° F.
NOZZLES 3"-150 R.F.
 - ③ IC-1 (ASME STAMP)
D.P. 645 P.S.I. @ 350/-20° F.
NOZZLES 6"-300 R.F.
 - ④ IC-2 (ASME STAMP)
D.P. 800 P.S.I. @ 350/-20° F.
NOZZLES 4"-600 R.F.

- ⑤ AC (ASME STAMP)
D.P. 1650 P.S.I. @ 350/-20° F.
NOZZLES 3"-900 R.T.J.

- ⑥ HAILGUARD
- ⑦ BUGSCREEN/FAN GD
(PANELS FURNISHED BY AXL
AND INSTALLED BY OTHERS)

- Ⓐ MANUAL SHUTTER OPER - WATER

- Ⓑ AUTO. SHUTTER OPER - IC-1
- Ⓒ AUTO. SHUTTER OPER - IC-2
- Ⓓ AUTO. SHUTTER OPER - AC
(AUTO. BY AIR MOTOR)

TAG: 94104, 94105, 94106
AIR-X-CHANGERS
 CERTIFIED FOR JOB 945129
 BY _____ DATE _____
 CUSTOMER ENERFLEX SYS
 P.D. NO. 421502, 421503, 421504

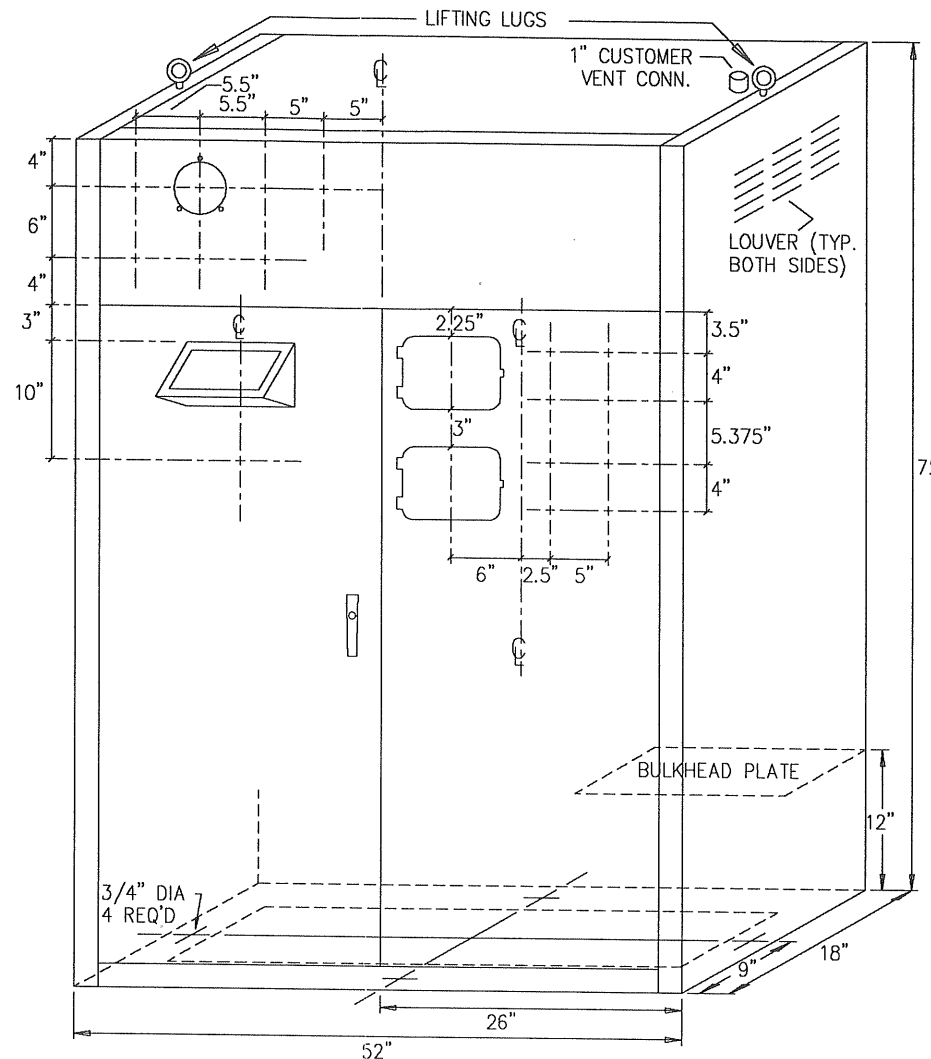
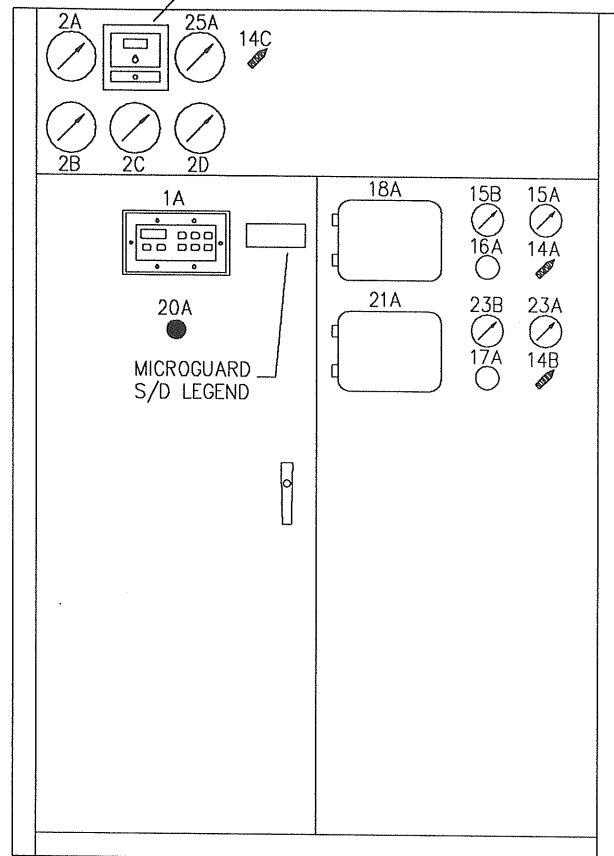
RELEASED
 FABRICATION OF THIS
 ORDER HAS BEGUN

ESTM DRY WEIGHT = 28,050#

NEXT ASSY	AIR-X-CHANGERS		
	TULSA, OKLAHOMA		
REF DWGS	MODEL 156 EH		
	BY LES	CHKD	WT. #
	DATE 08/14/94	APPD <i>MB</i>	DATE 2/8/95
	SCALE	DWG #	REV
	JOB 945129	CRT	3

3	CPLG @ 5 (PER AS BUILT)	H2 O	01/08/95	
2	H.P.	H2 O	01/31/95	
1	RERATE	LES	10/26/94	
REV	DESCRIPTION	BY	DATE	APP'D

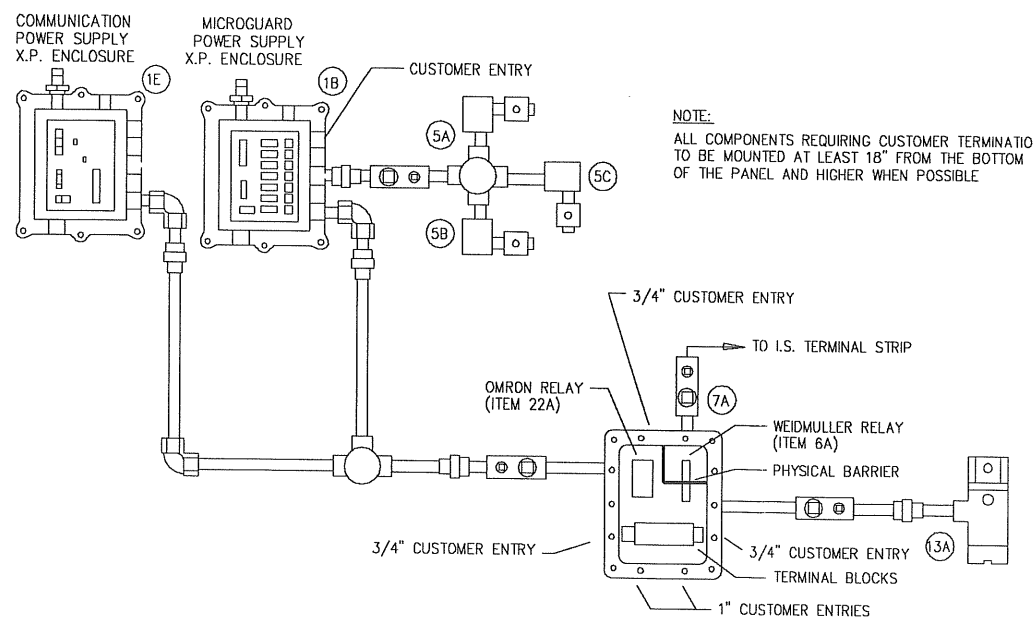
CUTOUT ONLY FOR DYNALCO TMP-100
(PYROMETER INSTALLED BY ENERFLEX)



CONSTRUCTION NOTES:

- CABINET ENCLOSED WITH DUAL FRONT ACCESS DOORS
- PAINT COLOUR: ASA-61 GREY
- CIRCUIT TUBING TO BE 1/4" COLOUR CODED POLYETHYLENE
- PROCESS TUBING TO BE 1/4" 304SS
- ALL FITTINGS TO BE 1/4" SWAGelok CADMIUM PLATED STEEL
- ALL STAINLESS STEEL LINES TO HAVE 316SS FERRULES
- ALL PNEUMATIC COMPONENTS SHOWN IN OPERATING STATE
- DRIP SHIELD OVER MICROGUARD ANNUNCIATOR REQUIRED
- ELECTRICAL AREA CLASSIFICATION: CLASS 1, DIV 1, GROUP D

GENERAL CONDUIT LAYOUT
ARRANGEMENT OF COMPONENTS MAY DIFFER FROM LAYOUT SHOWN.



AS-BUILT

DATE NOV 28 1995

REV.	DESCRIPTION	BY	DATE
2	SPARTAN AS BUILT	AW	95/10/26
1	REVISE CONSTRUCTION NOTES AND CABINET LAYOUT; ADD ITEM 14C	AW	95/10/03



**SPARTAN
CONTROLS LTD.**

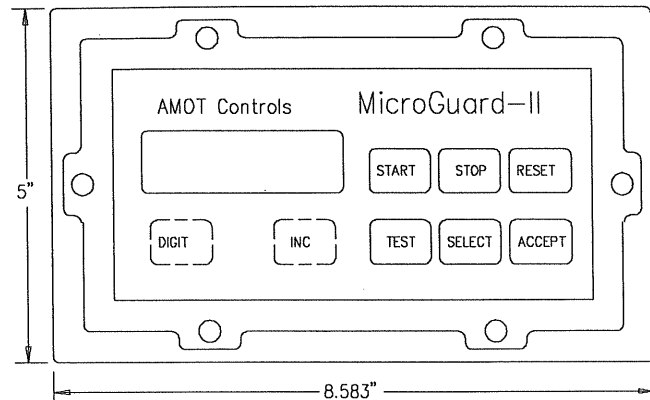
ELECTRONIC COMPRESSOR PROTECTION
AND CONTROL SYSTEM FOR
ENERFLEX Manufacturing
PETROSTAR PETROLEUMS INC. - TALBOT LAKE
LSD: 6-6-96-10-W6M JOB #94104 P.O.#422982

DRAWN	AW	CHK'D		SPARTAN PROJ.	CDO
DATE	95/09/13	DATE		COORDINATOR	
ENERFLEX DWG. NO.	CPS-94104	DWG. NO.	MA-3250	SHT	REV
				1/4	2

SERIAL NO:MA-3250

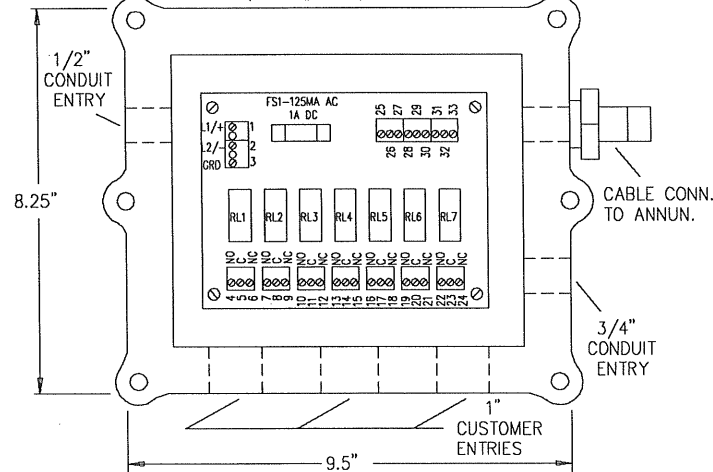
AMOT MICROGUARD II ANNUNCIATOR

FRONT VIEW (MODEL #B602C0) - N.T.S.



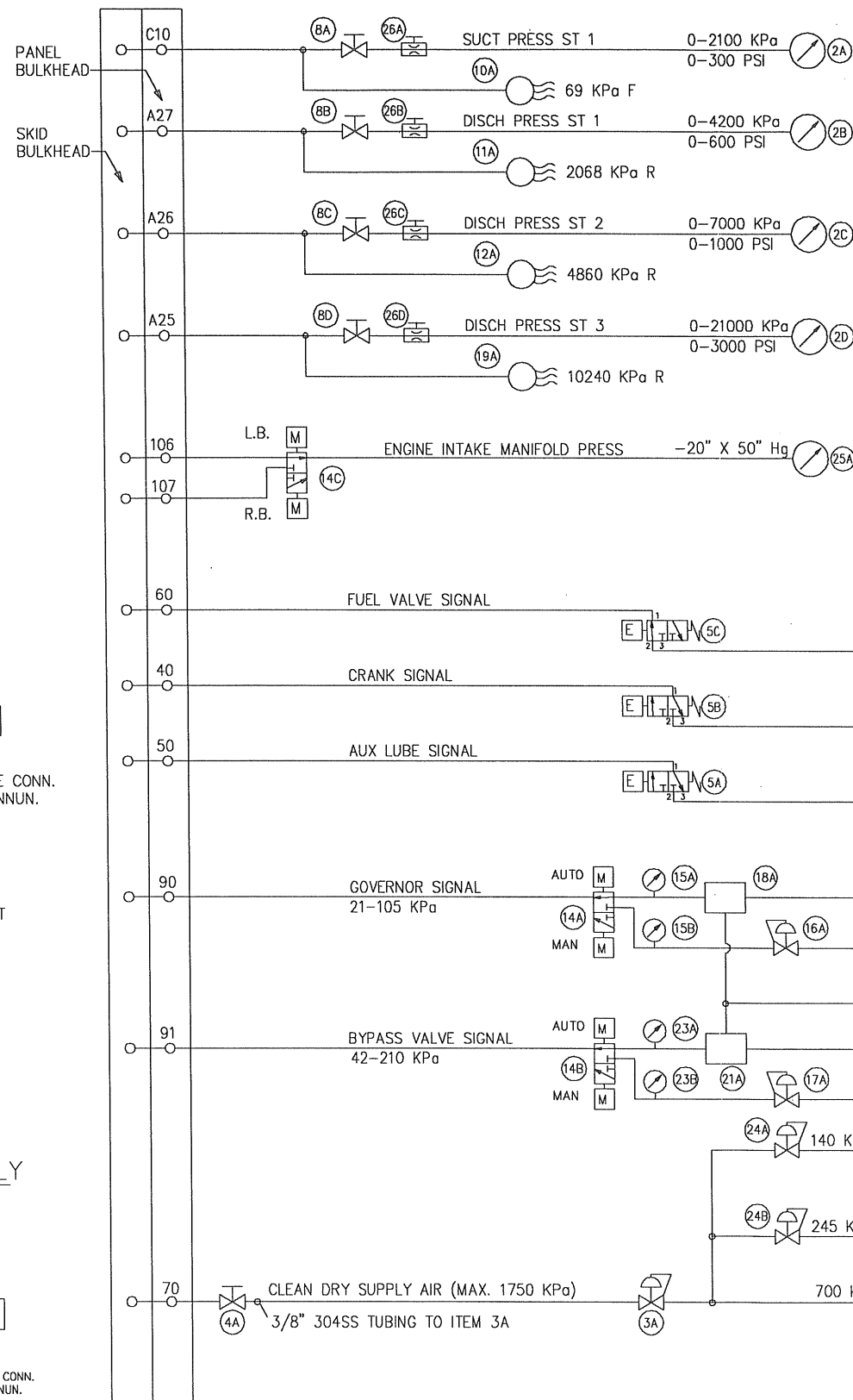
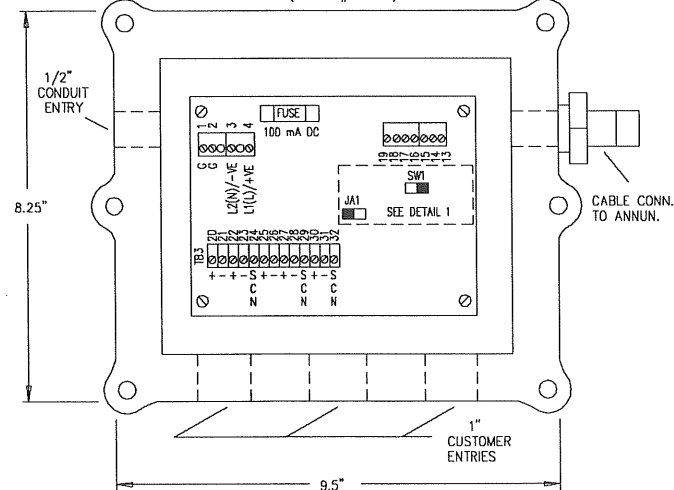
MICROGUARD POWER SUPPLY

(MODEL #B612B1) - N.T.S.

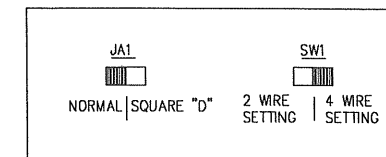


MICROGUARD COMMUNICATIONS POWER SUPPLY

N.T.S. (MODEL #B622C1)



DETAIL 1 - MICROGUARD COMM. P.S. DIP SWITCH



SEQUENCE:	MICROGUARD CONFIGURATIONS (VER. 3.90)	F4 CONFIG TACH 1 OVERSPEED TEST: ALARM	F5 CONFIG TACH 1 UNDERSPEED: RPM
CONFIG SEQUENCE: ENGINE		F6 CONFIG TACH 1 UNDERSPEED: ALARM	F7 CONFIG TACH 2 PULSES/REV: 01
CONFIG VALVE SEQUENCING: OFF		F8 CONFIG TACH 2 OVERSPEED: 0 RPM	F9 CONFIG PRELUBE: 120 SEC.
CONFIG RELAY G1: AUX LUBE		FA CONFIG ENG PURGE: 3 SEC.	FB CONFIG CRANK: 30 SEC.
CONFIG RELAY G2: CRANK		FC CONFIG CLASS B: 120 SEC.	FD CONFIG CLASS b: 20 SEC.
CONFIG RELAY G3: MAIN FUEL		FE CONFIG IGNITION GRND: 3 SEC.	FF CONFIG POST LUBE: 180 SEC.
CONFIG RELAY G4: VIBRATION RESET		FG CONFIG LUBE: 180 SEC.	FN CONFIG PURGE ENABLE: 50 RPM
CONFIG RELAY G5: ALARM		FO CONFIG FUEL DELAY: 0 SEC.	
CONFIG RELAY G6: SHUTDOWN			
CONFIG RELAY G7: IGNITION GROUND			
CONFIG: 1 CRANK ATTEMPTS			
CONFIG AUTO STOP/START: DISABLED			
CONFIG PRE-LUBE: TIME & PRESSURE			
CONFIG FUEL RELAY: ENERGIZE TO RUN			
CONFIG VIB. RESET: DURING B-TIMER			
CONFIG CLASS C BYPASS: DISABLED			
CONFIG POWER FAILURE: RESET TO LOCKOUT			
		CHANNELS:	
		CONFIG HIGHEST NO. OF CHANNELS USED: 1-31	
		COMMUNICATION:	
F1 CONFIG TACH 1 PULSES/REV: 208		CONFIG BAUD RATE: 4800	
F2 CONFIG TACH 1 CTS: 300 RPM		CONFIG ADDRESS: 01	
F3 CONFIG TACH 1 OVERSPEED: 1250 RPM		CONFIG PROTOCOL: MODBUS RTU	

ITEM	LAMACOID TAG	SIZE	COLOUR
2A	SUCT PRESS ST 1	1X3	WHITE
2B	DISCH PRESS ST 1	1X3	WHITE
2C	DISCH PRESS ST 2	1X3	WHITE
2D	DISCH PRESS ST 3	1X3	WHITE
14A	GOVERNOR SIGNAL AUTO/MAN	3X3	WHITE
14B	BYPASS VALVE SIGNAL AUTO/MAN	3X3	WHITE
14C	ENGINE INTAKE MANIFOLD PRESS L.B./R.B.	3X3	WHITE
15A	AUTO GOVERNOR SIGNAL	1X3	WHITE
15B	MAN GOVERNOR SIGNAL	1X3	WHITE
16A	MAN GOVERNOR CONTROL	1X3	WHITE
17A	MAN BYPASS VALVE CONTROL	1X3	WHITE
18A	AUTO GOVERNOR CONTROLLER	1X3	WHITE
20A	EMERGENCY SHUTDOWN PUSH TO ESD	1X3	RED
21A	AUTO BYPASS VALVE CONTROLLER	1X3	WHITE
23A	AUTO BYPASS VALVE SIGNAL	1X3	WHITE
23B	MAN BYPASS VALVE SIGNAL	1X3	WHITE
25A	ENGINE INTAKE MANIFOLD PRESS	1X3	WHITE

REV.	DESCRIPTION	BY	DATE
2	SPARTAN AS BUILT	AW	95/10/26
1	ADD ITEM 14C; CHANGE PANEL SUPPLY TO AIR	AW	95/10/03

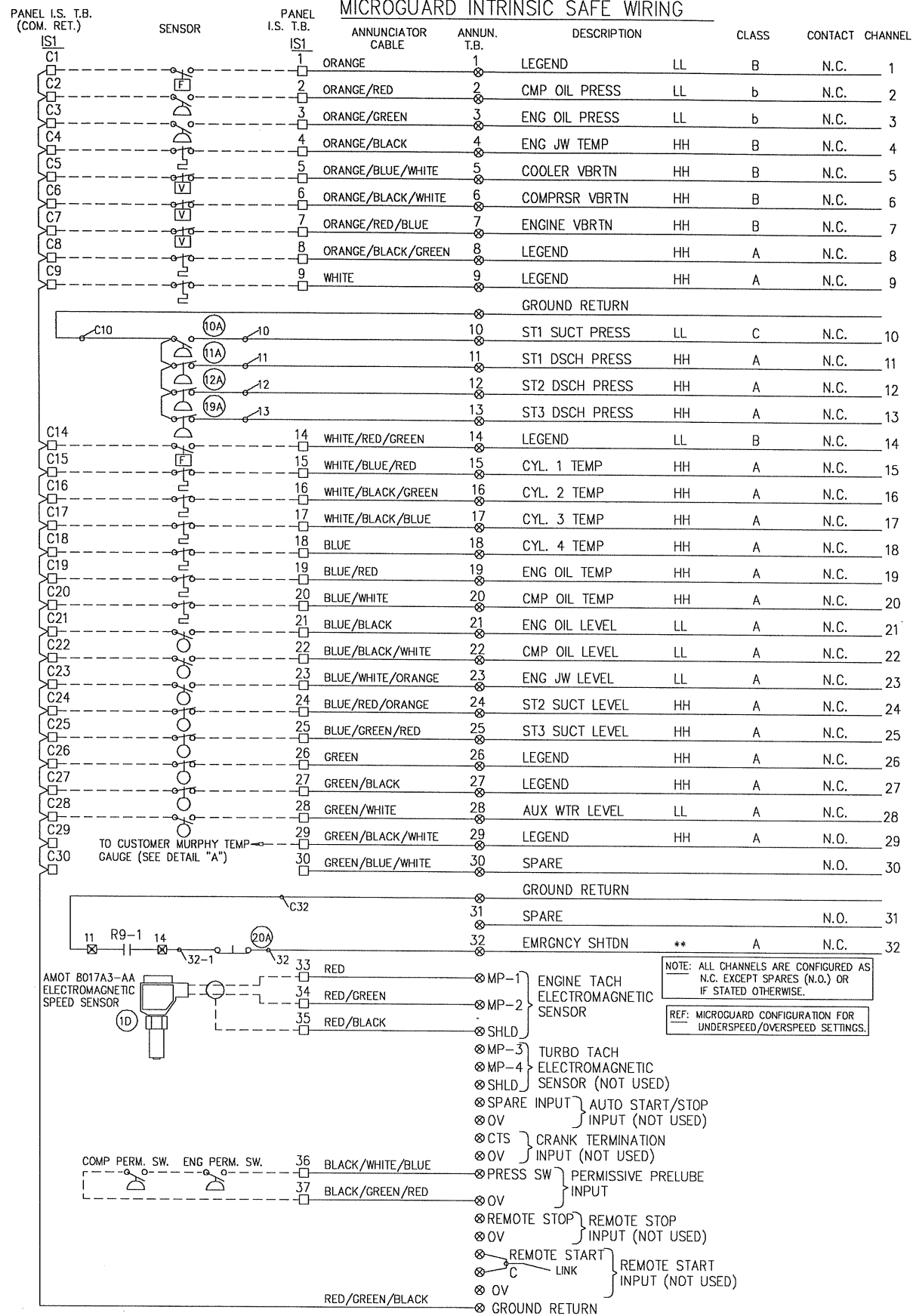


SPARTAN CONTROLS LTD.

ELECTRONIC COMPRESSOR PROTECTION AND CONTROL SYSTEM FOR
ENERFLEX Manufacturing
 PETROSTAR PETROLEUMS INC. - TALBOT LAKE
 LSD: 6-6-96-10-W6M JOB #94104 P.O.#422982

DRAWN	AW	CHK'D	SPARTAN PROJ. COORDINATOR	CDO
DATE	95/09/13	DATE		
ENERFLEX DWG. NO. CPS-94104		DWG. NO.	MA-3250	SHT 2/4 REV 2

SERIAL NO:MA-3250



WIRE COLOUR CODE		TERMINAL & WIRE LEGEND	
110 VAC HOT	BLACK	X.P. PANEL TERMINAL	■
110 VAC SWITCHED	BROWN	I.S. PANEL TERMINAL	□
110 VAC NEUTRAL	WHITE	I.S. SCANNER TERMINAL	⊗
GROUND	GREEN	ANNUNCIATOR TERMINAL	⊙
INTRINSIC CIRCUIT	PURPLE	WEIDMULLER TERMINAL	⊠
INTRINSIC COMMON	YELLOW	SKID TERMINAL	△
+24 VDC	RED	CUSTOMER TERMINAL	▲
-24 VDC	ORANGE	MICROGUARD POWER SUPPLY & RELAY OUTPUT TERMINALS	⊚
24 VDC SWITCHED	BLUE	MICROGUARD COMMUNICATION & POWER SUPPLY TERMINALS	⊛
BARRIER DC INPUT	GREY	PANEL WIRE	_____
		SKID WIRE	-----
		INTERCONNECT WIRE	+++++

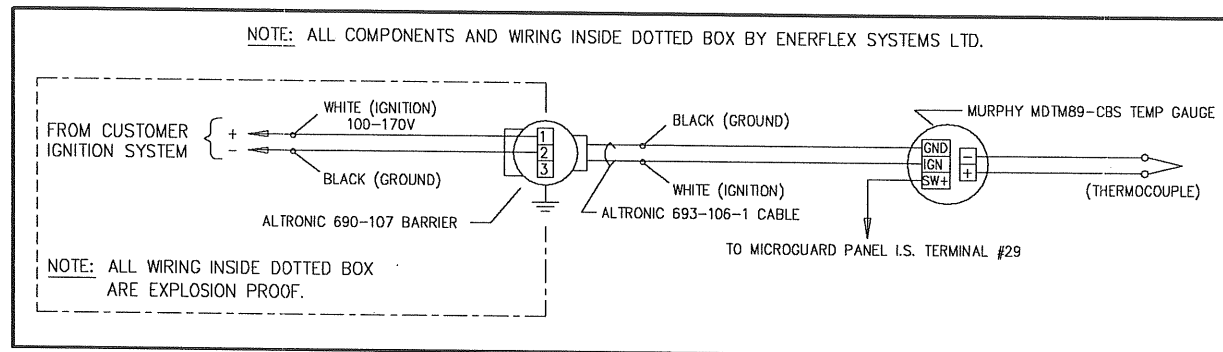
WELAND WK4/DEU TERMINAL BLOCK (TYP.)

OUT TO SENSOR FROM ANNUNCIATOR PANEL T.B. 1

COMMON FROM SENSOR PANEL COMMON PANEL T.B. C1

FIELD PANEL

DETAIL "A"



MICROGUARD S/D LEGEND

- 1 - LO LUBRICATOR FLOW #1
- 8 - HI ENG MANIFOLD TEMP - L.B.
- 9 - HI ENG MANIFOLD TEMP - R.B.
- 14 - LO LUBRICATOR FLOW #2
- 26 - HI INLET FILTER SEPARATOR LEVEL SIDE 1
- 27 - HI INLET FILTER SEPARATOR LEVEL SIDE 2
- 29 - HI CATALYTIC CONVERTER TEMP

GAUGE RANGE-DUAL	
2A	0-2100 KPa
2B	0-4200 KPa
2C	0-7000 KPa
2D	0-21000 KPa

26A-D	WIKA 910.12/9091262 PULSATION DAMPENER	
25A	WIKA 233.53/-20X50Hg 4" S.S. GAUGE	-20X50" Hg
24A-B	FISHER 67AFR-362 REGULATOR	35-245 KPa
23A-B	WIKA 111.10/60D 2 1/2" GAUGE	0-420 KPa
22A	OMRON MY4-24VDC RELAY C/W PYF14A	BY S.M.L.
21A	FISHER 2506-3 REC CONT. (21-105 KPa IN/42-210 KPa OUT)	BY S.M.L.
20A	TM ZB2BT4 MAINTAINED RED PB C/W ZB2BZ102	BY S.M.L.
19A	ASCO SB10D/TN10B42 PRESS SWITCH	SET 10240KPa R
18A	FISHER 2506-1 RECEIVER CONT.	21-105 KPa
17A	FISHER 67-450 REG C/W 2185L012	35-245 KPa
16A	FISHER 67-450 REG C/W 2185L011	35-245 KPa
15A-B	WIKA 111.10/30D 2 1/2" GAUGE	0-210 KPa
14A-C	WHITEY B-42XS4-KN SELECTOR	
13A	FISHER 646-34X1 I/P TRANSDUCER	21-105 KPa
12A	ASCO SB10D/TL10A42 PRESS SWITCH	SET 4860 KPa R
11A	ASCO SB10D/TK10A42 PRESS SWITCH	SET 2068 KPa R
10A	ASCO SB10D/TF10A11 PRESS SWITCH	SET 69 KPa F
9A	WELAND WK4TKM/U DISCONNECT SWITCH	BY S.M.L.
8A-D	ISOLATION VALVE-1/4" CARBON STEEL	BY S.M.L.
7A	KILLARK XB684 X.P. ENCLOSURE	BY S.M.L.
6A	WEIDMULLER 11002.1 RELAY-24VDC	BY S.M.L.
5A-C	ASCO EFB320G202-24 SOLENOID	24 VDC
4A	ISOLATION VALVE-3/8" CARBON STEEL	BY S.M.L.
3A	FISHER 64-202 REG C/W 11B8579X042	245-700 KPa
2A-D	WIKA 233.53 4" S.S. LIQUID FILLED GAUGE	
	1E-AMOT MICROGUARD 8622C1-24 VDC COMM. P.S.	
	1D-AMOT MICROGUARD 8017A3-AA SENSOR	SHIPPED LOOSE
	1C-AMOT MICROGUARD 64064X CABLE ASSEMBLY	
	1B-AMOT MICROGUARD 8612B1-24 VDC P.S.	
	1A-AMOT MICROGUARD 8602CD ANNUNCIATOR	
1A-E	AMOT MICROGUARD SYSTEM 1063BX101	
I.S. TB	WELAND WK4/DEU TERM. BLK.(QTY. 30)	BY S.M.L.
X.P. TB	WELAND WK4/U TERM. BLK.(QTY. 15)	BY S.M.L.

ITEM	DESCRIPTION	RANGE: SET
2	SPARTAN AS BUILT	AW 95/10/26
1	ADD ITEM 14C	AW 95/10/03
REV.	DESCRIPTION	BY DATE

SPARTAN CONTROLS LTD.

ELECTRONIC COMPRESSOR PROTECTION AND CONTROL SYSTEM FOR ENERFLEX Manufacturing

PETROSTAR PETROLEUMS INC. - TALBOT LAKE

LSD: 6-6-96-10-W6M JOB #94104 P.O.#422982

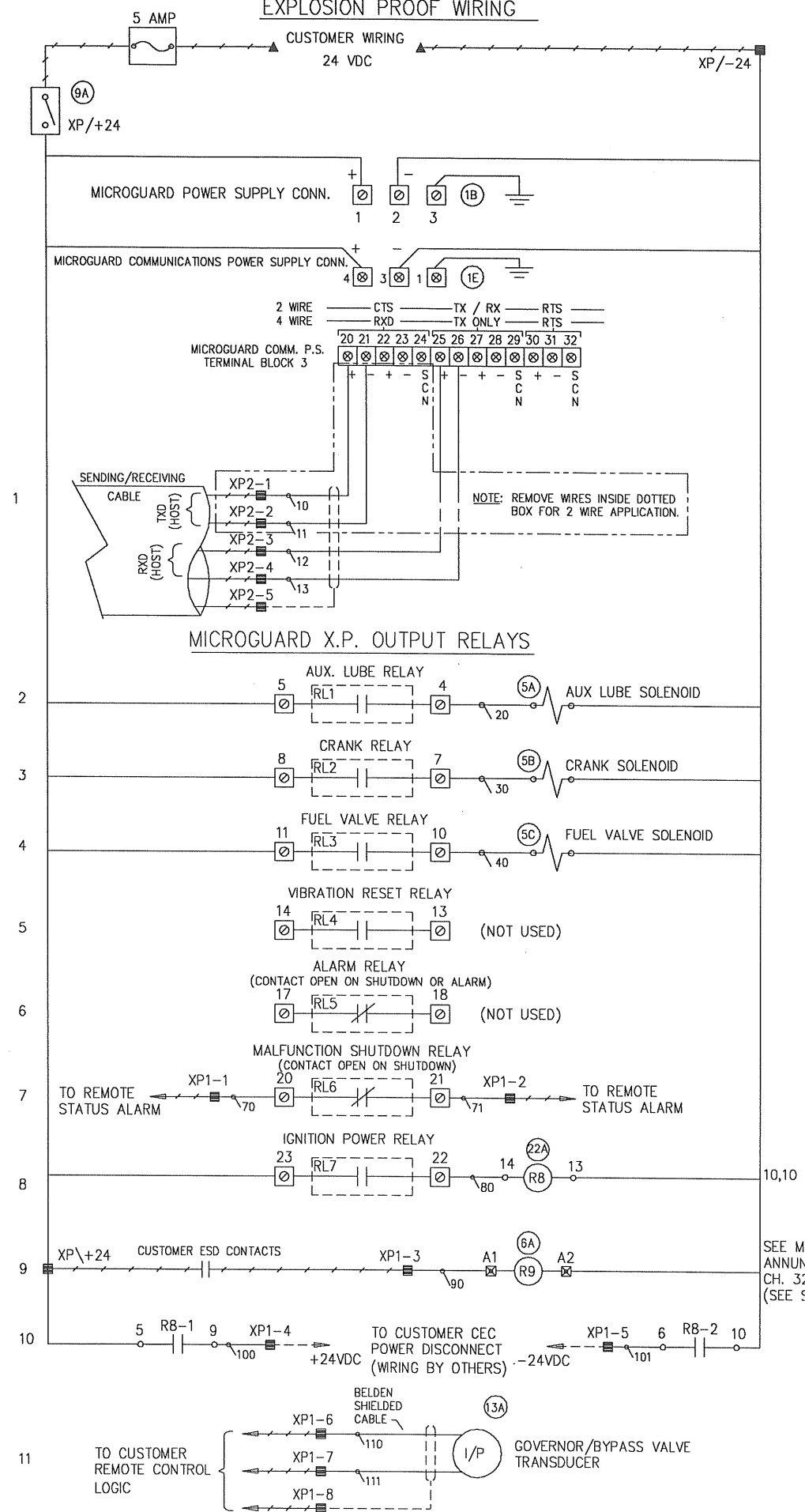
DRAWN	AW	CHK'D		SPARTAN PROJ. COORDINATOR	CDO
DATE	95/09/13	DATE			
ENERFLEX DWG. NO.	CPS-94104	DWG. NO.		SHT	REV
				3/4	2

INTRINSIC SAFE WIRING

SERIAL NO:MA-3250

MA-3250

EXPLOSION PROOF WIRING



TERMINAL & WIRE LEGEND

- X.P. PANEL TERMINAL [Symbol]
- I.S. PANEL TERMINAL [Symbol]
- I.S. SCANNER TERMINAL [Symbol]
- ANNUNCIATOR TERMINAL [Symbol]
- WEIDMULLER TERMINAL [Symbol]
- SKID TERMINAL [Symbol]
- CUSTOMER TERMINAL [Symbol]
- MICROGUARD POWER SUPPLY & RELAY OUTPUT TERMINALS [Symbol]
- MICROGUARD COMMUNICATION & POWER SUPPLY TERMINALS [Symbol]
- PANEL WIRE [Symbol]
- SKID WIRE [Symbol]
- INTERCONNECT WIRE [Symbol]

WIRE COLOUR CODE

110 VAC HOT	BLACK
110 VAC SWITCHED	BROWN
110 VAC NEUTRAL	WHITE
GROUND	GREEN
INTRINSIC CIRCUIT	PURPLE
INTRINSIC COMMON	YELLOW
+24 VDC	RED
24 VDC SWITCHED	ORANGE
-24 VDC	BLUE
BARRIER DC INPUT	GREY

INTRINSIC SAFE WIRING

REV.	DESCRIPTION	BY	DATE
2	SPARTAN AS BUILT	AW	95/10/26
1	SEE SHEETS 1,2,3	AW	95/10/03

SPARTAN CONTROLS LTD.

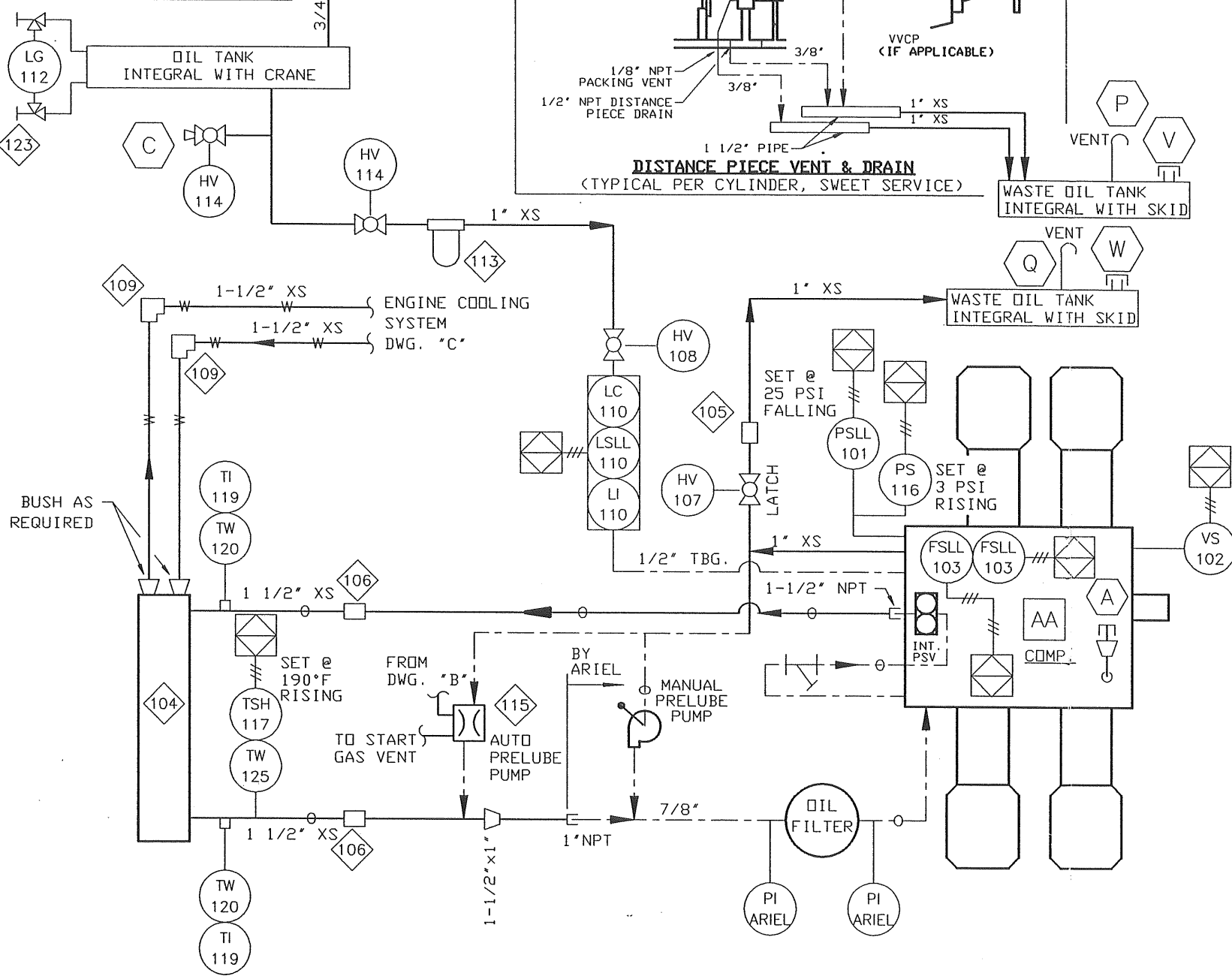
ELECTRONIC COMPRESSOR PROTECTION AND CONTROL SYSTEM FOR
ENERFLEX Manufacturing
 PETROSTAR PETROLEUMS INC. - TALBOT LAKE
 LSD: 6-6-96-10-W6M JOB #94104 P.O.#422982

DRAWN	AW	CHK'D		SPARTAN PROJ. COORDINATOR	CDD
DATE	95/09/13	DATE			
ENERFLEX DWG. NO.	CPS-94104	DWG. NO.	MA-3250	SHT	REV
				4/4	2

SERIAL NO:MA-3250

NOTE:
1. SEE THE GENERAL ARRANGEMENT DRAWING FOR THE CORRECT CYLINDER ORIENTATION.

OIL CAP.	155 L
OIL FLOW	95 L/min.



COMPRESSOR EQUIPMENT AND CONTROLS

© 1995 Enerflex Systems Ltd.
REPRODUCTION OF ANY PORTION OF THESE MATERIALS WITHOUT THE EXPRESS WRITTEN CONSENT OF ENERFLEX SYSTEMS LTD. IS STRICTLY PROHIBITED. THESE MATERIALS SHALL NOT BE USED FOR ANY PURPOSE OTHER THAN THE REPAIR AND MAINTENANCE OF THE PRODUCTS TO WHICH THEY RELATE.

BILL OF MATERIAL

ITEM	QTY.	CODE No.	DESCRIPTION
101	1	BTE-69G14	PRES SW, CCS 6900G14, 500 MWP 6-75R, 2-71F, GP, alum.
102	1	BMU-VS2EX	VIB SW, MURPHY VS-2-EX XP WI MANUAL RESET
103	2	AAR-527E	LUBE NO FLOW SD, TRABON 527-100-180
104	1	AAR-K7120	OIL COOLER, THERMAL TRANSFER K-712-0 (B-0745)
105	1	BDR-C10L	SLEEVE COUPLING, 1" DRESSER STYLE 90 90EL
106	2	BDR-C14	SLEEVE COUPLING, 1 1/2" DRESSER STYLE 90 STRAIGHT
107	1	BNI-T5610	BALL VALVE, NIBCO T560-CS-R-25 1" WI LATCHING HANDLE
108	1	BNI-T5604	BALL VALVE, NIBCO T560-CS-R-25 1/2" WI LATCHING HANDLE
109	2	BDR-C14L	SLEEVE COUPLING, 1 1/2" DRESSER STYLE 90 90EL
110	1	BKE-LCE9	LEVEL CONTROLLER WI SWITCH, KENCO LCE-9 CSA XP
112	1	XSIGHTGLASS	GAUGE GLASS, CLEAR ACRYLIC TUBING, BY SHOP
113	1	BBA-BF914	GAS FILTER, BALDWIN BF914 1" NPT WI BF915 ELEMENT
114	2	BNI-T5610	BALL VALVE, NIBCO T560-CS-R-25 1" WI LATCHING HANDLE
115	1	BIR-AR0666	DIAPHRAGM PUMP, ARD CPQ2187A 1" NPT, ALUMINUM C/W SS VENT
116	1	BTE-604GZJ1	PRES SW, CCS 604GZJ-1, 500 MWP .8-18R, .3-17.5F, GP, SS
117	1	BTE-69TU14	TEMP SW, CCS 6900TU14, 300F GP 80-205R, 60-198F SS 5'cap
119	2	BTR-30251	TI, TREND 33025 2-1/2" STEM BM 3" D DUAL 0-250 DEG. F
120	2	BTW-062	THERMOWELL, 1/2" X 3/4" NPTM X 2-1/2" LONG 304SS U = 1"

123	1	BJE-170	SET GAUGE VALVE JERGUSON #170 1/2" NPT., CS, NACE
125	1	BTE-TW7525	T'WELL, CCS 3/4", 2 1/2" U, 304SS # 6509TW34025204 C/W 2' T LAG

AS-BUILT
DATE DEC 11 1995

LAST DRAWING SAVE DATE:
94/12/05 14:53

CUSTOMER:
PETROSTAR PETROLEUMS INC.
(TALBOT LAKE)

JOB No.: **94104**

Rev.	Description	By	Date
2	AS BUILT	CRN	95/11/22
1	FOR CONSTRUCTION	CRN	95-08-31
0	FOR APPROVAL	DRD	94-12-05

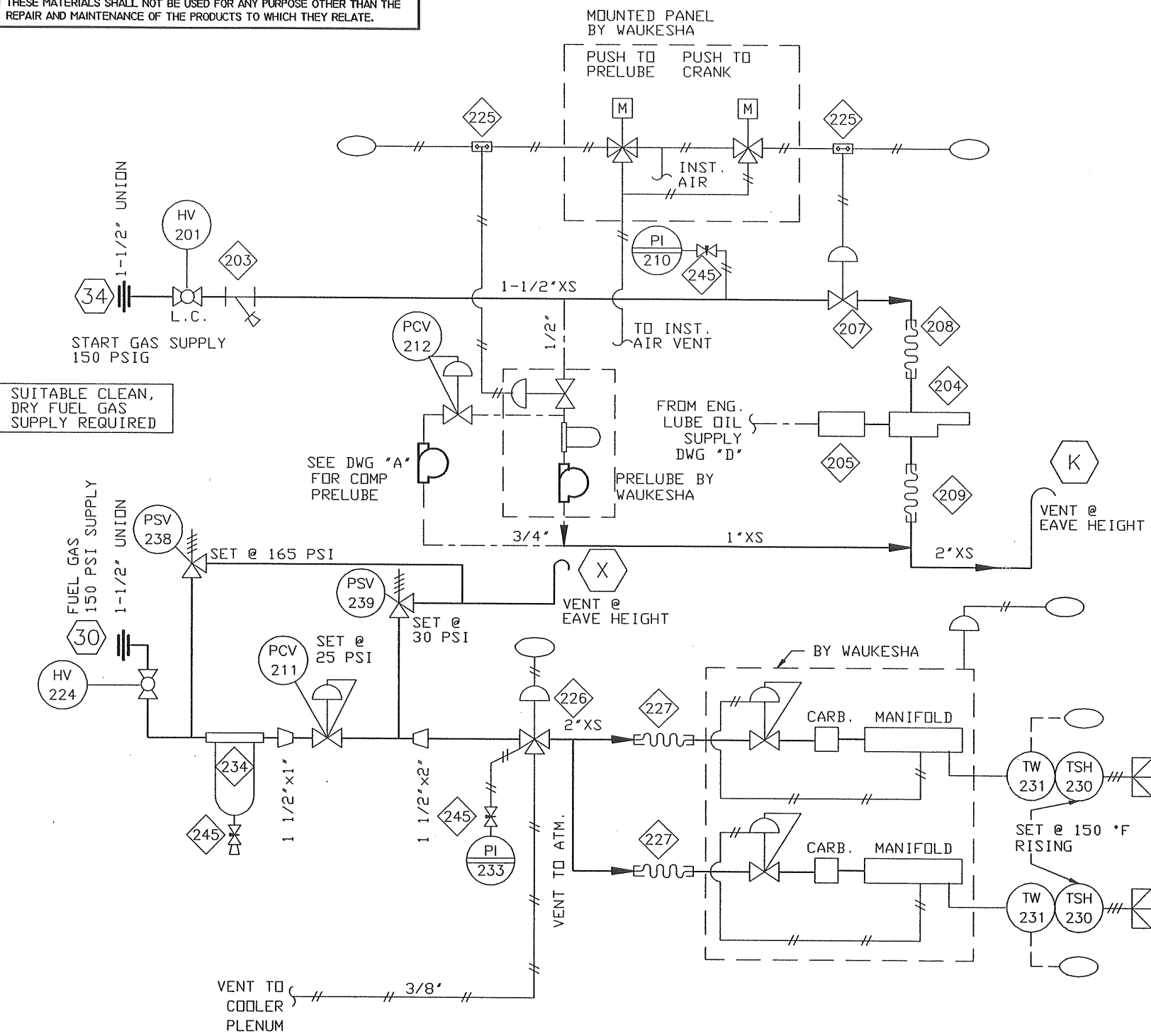
DWN BY: D. OBUCK
DATE: 94-12-05

CHK'D BY: [Signature]
DATE: 95-12-08

TITLE:
**STANDARD SCHEMATIC
COMPRESSOR EQUIPMENT AND CONTROLS**
ARIEL JGK/4

DWG. **SF94104A** REV **OP20**

© 1995 Enerflex Systems Ltd.
 REPRODUCTION OF ANY PORTION OF THESE MATERIALS WITHOUT THE EXPRESS WRITTEN CONSENT OF ENERFLEX SYSTEMS LTD. IS STRICTLY PROHIBITED. THESE MATERIALS SHALL NOT BE USED FOR ANY PURPOSE OTHER THAN THE REPAIR AND MAINTENANCE OF THE PRODUCTS TO WHICH THEY RELATE.



ENGINE EQUIPMENT AND CONTROLS - FUEL & START GAS

BILL OF MATERIAL

ITEM	QTY.	CODE No.	DESCRIPTION
201	1	BNU-LT314	BALL VALVE, NUTRON T3F15S20B 1-1/2"FP CS WI LATCHING HANDLE
203	1	BST-YSCS14	Y STRAINER, ALTA YS 600, CS, 1-1/2"NPT 1480 PSIG SS SCREEN
204	1	BIR-810	STARTER, IR SS810GB03R31-31A
205	1	BIR-HDL2	LUBRICATOR, IR HDL-2
207	1	BIR-SRV150	GAS VALVE, 1-1/2" IR SRV-150
208	1	BBH-1412	BRAIDED STEEL HOSE, 1-1/2" NPTM ENDS, 12' LONG
209	1	BBH-2012	BRAIDED STEEL HOSE, 2" NPTM ENDS, 12' LONG
210	1	BWI-P2S030	PI, WIKA 233.53, 2-1/2' LF 316 BT/STK PM 1/4" DUAL 0-300 PSI
211	1	BFI-627325	REG, 1' FISHER 627-493 DI 3/8" DR 15-40# SPR SET 25# 150-500
212	1	BFI-06790	REG, 1/4" FISHER #67AFR-226, 35-100 PSI
224	1	BNU-LT314	BALL VALVE, NUTRON T3F15S20B 1-1/2"FP CS WI LATCHING HANDLE
225	2	BFE-668	SHUTTLE VALVE, FESTO 668-2 DS- 1/4" B, WI NPT ADAPTORS (9396
226	1	BAM-4418C3	GAS VALVE, AMDT 4418D6A6C0, 2" NPT, 3 WAY
227	2	BBH-2012	BRAIDED STEEL HOSE, 2" NPTM ENDS, 12' LONG
230	2	BTE-69TU147	TEMP SW,CCS,6900TU14-7001 GP 80-205R,60-198F,SS,10' CAP
231	2	BTE-TW7525	T'WELL,CCS 3/4",2 1/2" U,304SS # 6509TW34025204 C/W 2" T LAG
233	1	BWI-P2S006	PI, WIKA 233.53, 2-1/2' LF 316 BT/STK, PM 1/4" DUAL 0-60 PSI
234	1	BHE-385AP	GAS FILTER,HEADLINE,385A-S453P 1.5' C/W SS PLUG & ELEMENTS

238	1	BME-8111	PSV, MERCER 8100 1" X 1" NPT, SET 165 PSIG, .212 DR.
239	1	BFI-R180530	PSV, 1' FISHER 1805-13X1 10-60 PSI SET 30 PSI,CI BODY

245	3	BWH-2NVS	NEEDLE VALVE, WHITEY S-1VS4, 1/4" TBG CS
-----	---	----------	--

AS-BUILT

DATE DEC 11 1995

LAST DRAWING SAVE DATE:
94/11/07 08:02



CUSTOMER:
PETROSTAR PETROLEUMS INC.
(TALBOT LAKE)

JOB No.: 94104

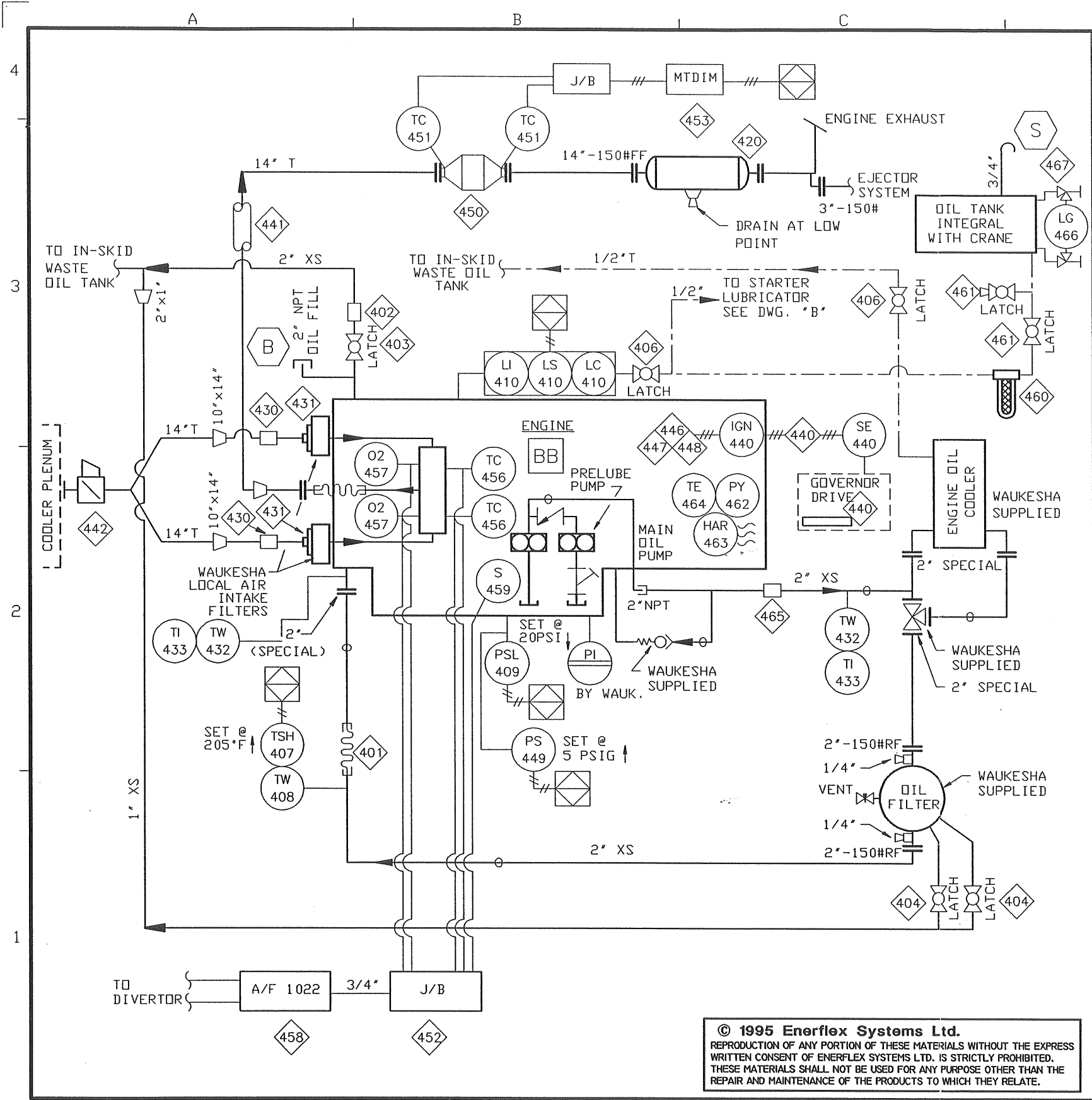
Rev.	Description	CRN	Date
2	AS BUILT	95/11/22	
1	FOR CONSTRUCTION	95-08-31	
0	FOR APPROVAL	94-12-05	

DWN BY: D. OBUCK
 DATE: 94-12-05
 CHK'D BY: [Signature]
 DATE: 95-12-06

TITLE:
**STANDARD SCHEMATIC
 ENGINE EQUIPMENT AND CONTROLS
 -FUEL AND START GAS SYSTEM**

DWG. SF94104B

REV 0P22

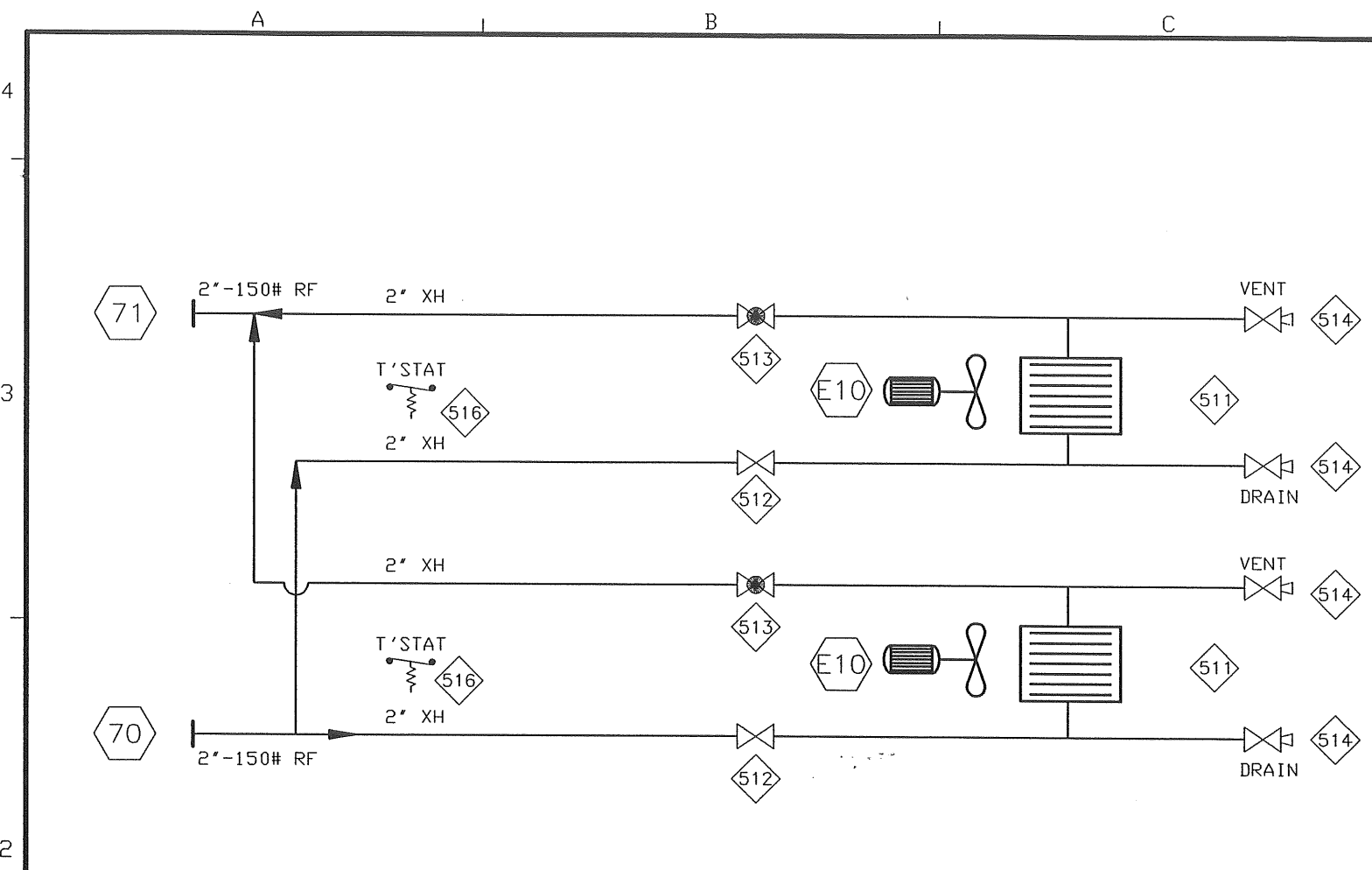


BILL OF MATERIAL

ITEM	QTY.	CODE No.	DESCRIPTION
401	2	BBH-2012	BRAIDED STEEL HOSE, 2" NPTM ENDS, 12" LONG
402	1	BDR-C20	SLEEVE COUPLING, 2" DRESSER STYLE 90
403	1	BNI-T5620	BALL VALVE, 2" NPT NIBCO T560-CS-R-25 2000# WDG RP WI LATCHING HANDLE
404	2	BNI-T5610	BALL VALVE, 1" NPT NIBCO T560-CS-R-25 2000# WDG RP WI LATCHING HANDLE
406	2	BNI-T5604	BALL VALVE, 1/2" NPT NIBCO T560-CS-R-25 2000# WDG RP WI LATCHING HANDLE
407	1	BTE-69TU16	TEMP SW, CCS 6900TU16, 400F GP 185-315R 165-308F SS 5'cap
408	1	BTE-TW7545	T'WELL, CCS, 3/4", 4 1/2"U, 304SS 113-35-1
409	1	BTE-69G14	PRES SW, CCS 6900G14, 500 MWP 6-75R, 2-71F, GP, alum.
410	1	BKE-LCE17	LEVEL CONTROLLER WI SWITCH, KENCO LCE-17 CSA XP
420	1	BSI-JCT14EE	MUFFLER, SILEX JCT 14 SUPER- CRITICAL, END IN/END OUT
430	2	BDO-P11H10	RUBBER HOSE CONN, DONALDSON P11-1414, 10' STRAIGHT
431	2	BLS-AFA3T10	AIR FILTER ADAPTOR 16 G ST FOR FLVHP 'GL', 10" D.D.
432	2	BTW-062	THERMOWELL, 1/2" X 3/4" NPTM X 2-1/2" LONG 304SS U = 1"
433	2	BTR-30251	TI, TREND 33025 2-1/2" STEM BM 3" D DUAL 0-250 DEG. F
440	1	ZNPN3-13902	CEC IGNITION MODULE, CABLE, TIM'N DISC & SENSOR, WAUK. SUP.
441	1	BEX-CF	EXH INS, ALUM CLAD CERAM FIBRE BATT WI GALV LNR & AIR RINGS
442	1	BEN-WAS14	WARM AIR SELECTOR, 14" PER STD. DWG. 05.1022
446	12	BCH-VHP	SPARK PLUGS, CHAMPION, RTM77N ALL VHP MODELS
447	12	BAL-VHP	COILS, ALTRONICS, 591-011B ALL VHP MODELS
448	1	BCE-VHPLA	HARNESS, PAMCO, C1W1001 L VHP 12 CYL
449	1	BTE-604GZJ1	PRES SW, CCS 604GZJ-1, 500 MWP .8-18R, .3-17.5F, GP, SS
450	1	BPD-ESNSA14	CATALYST HATCHBACK, 3-WAY, MODEL ES-NSA 14"-125#FF (BY PIC)
451	2	BDM-0220081	THERMOCOUPLE ASSY, 02-2008 TYPE J (BY PIC) (FIELD INSTALLED)
452	1	ZNPN4-4803	JUNCTION BOX, ESL SUPPLIED
453	1	BMU-MDTM89CB	MURPHY #MDTM89-CBJ OVERTEMP. SHUTDOWN
456	2	ZNPN4-13602	THERMOCOUPLE TYPE K (BY PIC) (FIELD INSTALLED)
457	2	ZNPN4-13601	OXYGEN SENSOR (BY PIC) (FIELD INSTALLED)
458	1	BDY-AF1422	DYNALCO AF1422 AIR/FUEL RATIO KIT (BY PIC)
459	1	BDY-M208	AMDT MAGNETIC PICKUP (BY SPARTAN)
460	1	BBA-BF914	GAS FILTER, BALDWIN BF914 1" NPT WI BF915 ELEMENT
461	2	BNI-T5610	BALL VALVE, NIBCO T560-CS-R-25 1" WI LATCHING HANDLE
462	1	BDY-TMP10014	PYROMETER, DYNALCO TMP 100-14, 19 POINT, TYPE K T'COUPLE
463	1	BWH-FGS25	PYROMETER WIRING HARNESS, F-SERIES G & GSI, 25' LEADS
464	17	BDM-2007	THERMOCOUPLE, 2007-1-k 12/16cyl SS ADAPT. FOR WAUK VHP G & GS
465	1	BDR-C20	SLEEVE COUPLING, 2" DRESSER STYLE 90 STRAIGHT
466	1	XSIGHTGLASS	GAUGE GLASS, CLEAR ACRYLIC TUBING, BY SHOP
467	1	BJE-170	SET GAUGE VALVE PEACOCK #170 1/2" NPT., CS, NACE

AS-BUILT
DATE: DEC 11 1995

FILENAME:	ISSUE#:	CUSTOMER:	3	AS BUILT	CRN	95/12/05	DATE:	94-12-05	TITLE:	OIL, IGN., AIR & EXHAUST SCHEMATIC
LAST DRAWING SAVE DATE:	94/05/24 09:51	ENERFLEX SYSTEMS LTD.	2	ADDED PYROMETER, THERMOCOUPLE, AND HARNESS	CRN	95/10/17	DATE:	95-08-31	OPER'N #:	26
		PETROSTAR PETROLEUMS INC. (TALBOT LAKE)	1	FOR CONSTRUCTION	CRN	95-08-31	DATE:	95-12-06	DWG.	SF94104D
		JOB No.: 94104	0	FOR APPROVAL	DRD	94-12-05	APPR'D BY:			
			Rev.	Description	By	Date	DATE:			



BUILDING EQUIPMENT AND CONTROLS

NOTE:
INTER CONNECTING WIRE
BY OTHERS

BILL OF MATERIAL

ITEM	QTY.	CODE No.	DESCRIPTION
511	2	BRU-HP724	RUFFNECK HEATER #HP7-24 C/W 1/2 HP FAN, 120V/60/1, XP
512	2	BNE-18S20	GATE VALVE, 2" SW NEWCO 18SFS2 800# WDG CS
513	2	BNE-28S20	GLOBE VALBE, 2" SW NEWCO #28SFS2, 800# WDG, CS
514	4	BNE-18S04ST	GATE VALVE, 1/2" S.W./NPT. NEWCO 18SFS2, 800# WDG, CS
516	2	BRU-XPT	T'STAT, RUFFNECK XTD8-S 5-25 DEG C RANGE 120/240 V WALL MNT

© 1995 Enerflex Systems Ltd.
REPRODUCTION OF ANY PORTION OF THESE MATERIALS WITHOUT THE EXPRESS WRITTEN CONSENT OF ENERFLEX SYSTEMS LTD. IS STRICTLY PROHIBITED. THESE MATERIALS SHALL NOT BE USED FOR ANY PURPOSE OTHER THAN THE REPAIR AND MAINTENANCE OF THE PRODUCTS TO WHICH THEY RELATE.



LAST DRAWING SAVE DATE:
94/10/20 13:13

CUSTOMER:
PETROSTAR PETROLEUMS INC.
(TALBOT LAKE)

JOB No.: 94104

Rev.	Description	By	Date
2	AS BUILT	CRN	95/11/22
1	FOR CONSTRUCTION	CRN	95-08-31
0	FOR APPROVAL	DRD	94-12-05

DWN BY: D. OBUCK
DATE: 94-12-05
CHK'D BY: H
DATE: 97-12-05

TITLE: **STANDARD SCHEMATIC BUILDING HEATERS**

DWG. SF94104E REV 0P72

AS-BUILT
DATE DEC 11 1995

© 1995 Enerflex Systems Ltd.
 REPRODUCTION OF ANY PORTION OF THESE MATERIALS WITHOUT THE EXPRESS WRITTEN CONSENT OF ENERFLEX SYSTEMS LTD. IS STRICTLY PROHIBITED. THESE MATERIALS SHALL NOT BE USED FOR ANY PURPOSE OTHER THAN THE REPAIR AND MAINTENANCE OF THE PRODUCTS TO WHICH THEY RELATE.

BILL OF MATERIAL

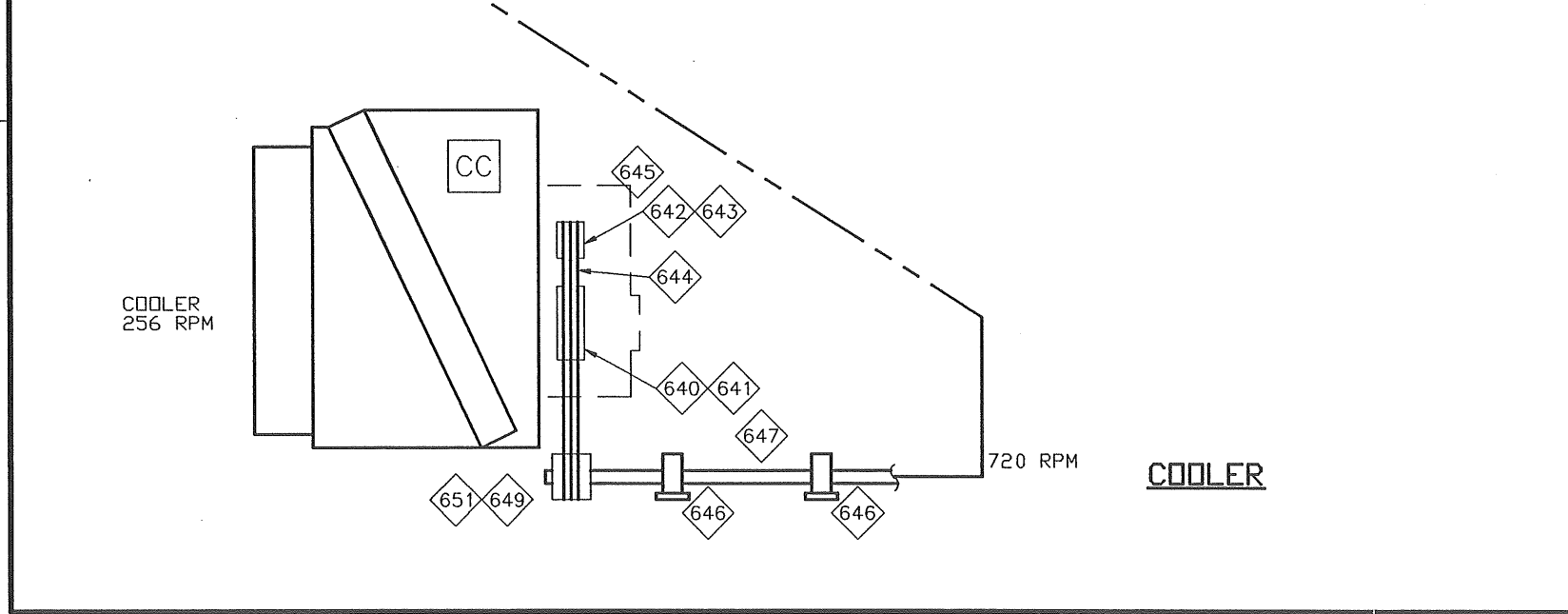
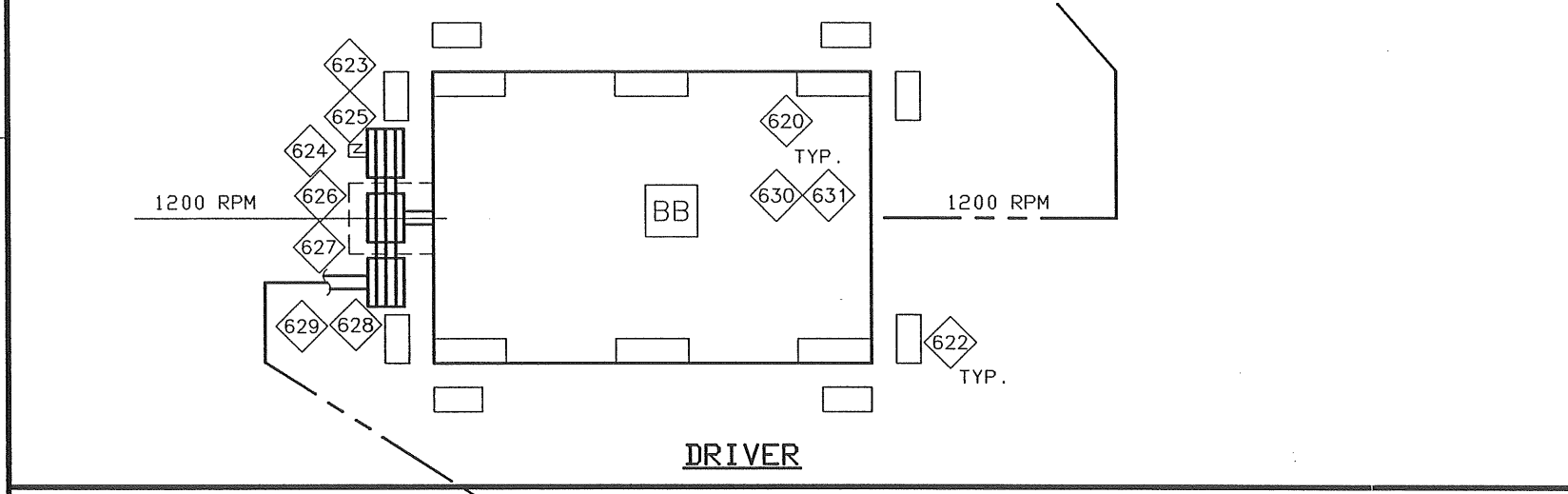
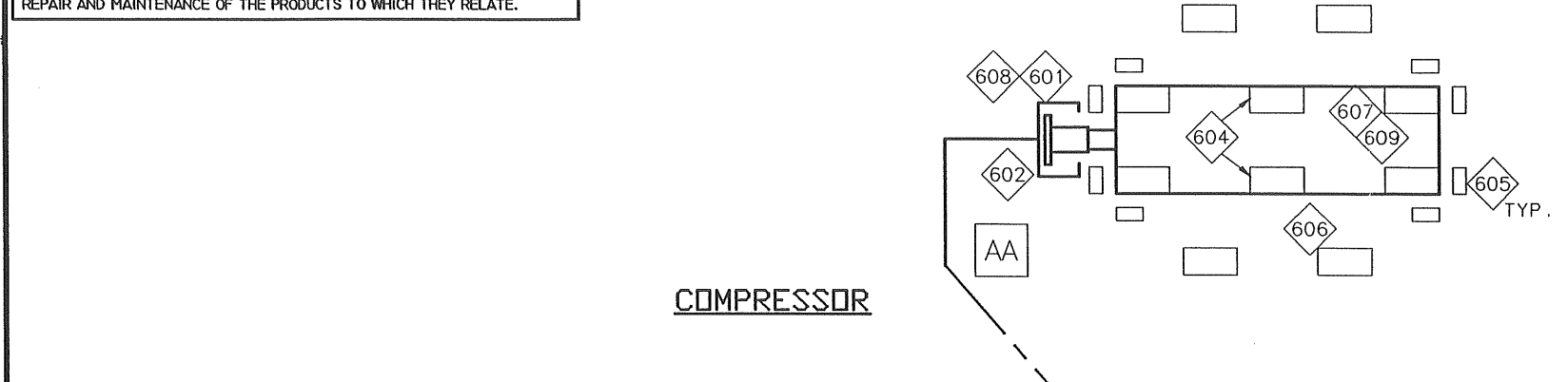
ITEM	QTY.	CODE No.	DESCRIPTION
601	1	BFD-7022HK	CPLG, FORMFLEX 70-22 HD-FSH-AK W1 STEEL HUB
602	1	BEN-28700	COUPLING GUARD, ALUMINUM, BUILD TO SUIT
604	1	BEN-28202	MOUNTING BLOCKS, COMPRESSOR, CENTRE, PER DWG 28.202
605	8	BEN-28401	3/4" JACKING BLOCK, PER DWG 28.401
606	4	AAR-GSK	JGK GUIDE SUPPORT, PN D-1523
607	1	BEN-28302	GRUT BOX, COMPRESSOR PER DWG 28.302
608	1	EHB-5K	HUB BORE: 4.996" +0"/-0.001" NO KEY WAY
609	1	BEN-28201	MOUNTING BLOCKS, COMPRESSOR, CORNER, PER DWG 28.201

ITEM	QTY.	CODE No.	DESCRIPTION
620	1	BEN-28101	MOUNTING BLOCKS, ENGINE PER DWG 28.101
622	1	BEN-28401	3/4" JACKING BLOCK, PER DWG 28.401
623	1	BBR-SFBB1	IDLER BUSHING, BROWNING SF-BB X 1
624	1	BBR-DATQ1	BROWNING DATQ-1 DRIVE TIGHTENER
625	1	BBR-5C60SF	SHEAVE, BROWNING 5C60SF, FOR 5-GROOVE TIGHTENER ASSEMBLY
626	1	BEN-28800	BELT GUARD, BUILD TO SUIT
627	1	BVB-5CN	V-BELT, SET OF (5) C SECTION (LENGTH = 111")
628	1	BBR-7R1	BUSHING, 2 15/16" R1 BROWNING
629	1	BBR-5C160	SHEAVE, BROWNING 5C160R, WITH R1 BUSHING
630	1	BEN-28601	SHIM PACK, ENGINE, PER DWG 28.601
631	6	BEN-28301	GRUT BOX, ENGINE, PER DWG 28.301

ITEM	QTY.	CODE No.	DESCRIPTION
640	1	BBR-5C270	SHEAVE, BROWNING 5C270R WITH R2 BUSHING
641	1	BBR-7R2	BUSHING, 2-15/16" R2 BROWNING
642	1	BBR-5C096	SHEAVE, BROWNING 5C096R, WITH R1 BUSHING
643	1	BBR-4R1	BUSHING, 2-3/16" R1 BROWNING
644	1	BVB-5CN	V-BELT, SET OF (5) C SECTION (LENGTH = 211")
645	1	BEN-28800	BELT GUARD, BUILD TO SUIT
646	2	BBR-PB70NE15	PILLOW BLOCK, BROWNING PB970NE x 2 15/16"
647	1	XJACK15	JACKSHAFT, 2 15/16" DIA. C/W 3/4" X 3/8" X 8" KEYWAY X 7"

649	1	BBR-7R1	BUSHING, 2 15/16" R1 BROWNING
651	1	BBR-5C096	SHEAVE, BROWNING 5C096R, WITH R1 BUSHING

AS-BUILT
 DEC 11 1995
 DATE _____



LAST DRAWING SAVE DATE:
 94/11/07 08:38



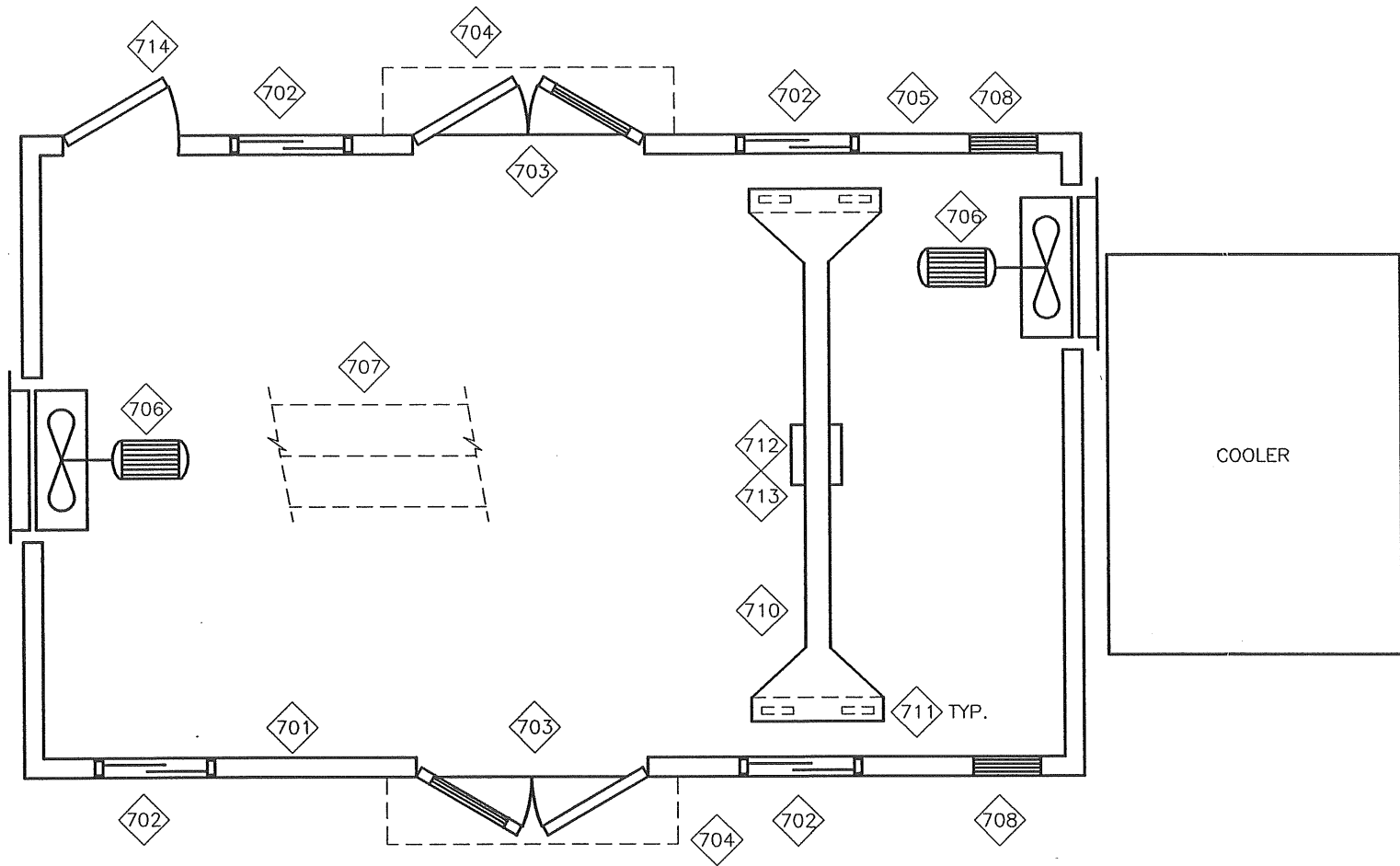
CUSTOMER:
PETROSTAR PETROLEUMS INC.
 (TALBOT LAKE)
 JOB No.: 94104

Rev.	Description	By	Date
2	AS BUILT	CRN	95/11/22
1	FOR CONSTRUCTION	CRN	95-08-31
0	FOR APPROVAL	DRO	94-12-05

DWN BY: D. OBUCK
 DATE: 94-12-05
 CHK'D BY: *pl*
 DATE: 95-12-06

TITLE: **DRIVE TRAIN EQUIPMENT**
 DWG. SF94104F
 REV 0P28

NOTE:
SEE GENERAL ARRANGEMENT DRAWING FOR ACTUAL
LOCATIONS OF BUILDING EQUIPMENT.



BUILDING EQUIPMENT AND DETAILS

BILL OF MATERIAL

ITEM	QTY.	CODE No.	DESCRIPTION
701	1	AXB-2G4A	SELF FRAMING METAL BUILDING WITH - EXTERIOR OF 22 GAUGE PREPAINTED - INTERIOR OF 24 GAUGE ALUMINUM LINER - INSULATION WALLS/ROOF R12 FBRGLAS BATT
702	4	EBF-WDG	DOUBLE GLAZED 40" X 40" WINDOW
703	2	EBF-DD	MAN DOOR, DOUBLE, STEEL, 6' X 7', R4 INSULATED, (1) IWG WINDOW, (1)CLOSER (1) PANIC HARDWARE
704	2	EBF-DCD	CANDOPY OVER DOUBLE DOOR TO MATCH BLDG EXTERIOR
705	68	EBF-ET	LINEAL FEET OF EAVESTROUGHING, WITH DOWNSPOUTS
706	2	EBF-1WR16	(1) FAN 16" EXHAUST, WALL MOUNTED, 1/4 HP 120V/60HZ/1PH, HP, CSA APPROVED FOR HAZARDOUS LOCATION, 1020CFM
707	34	EBF-R09	LINEAL FEET OF RIDGE VENT, 9" THROAT C/W MANUAL DAMPER AND BIRD SCREEN
708	2	EBF-ML1830	LOUVRE, MANUAL ADJUSTABLE 18" X 30" WITH BIRD SCREEN
710	1	BEN-3BC	3 TON RUNNING BRIDGE CRANE
711	4	BFL-WC16RB	FLEXELLO WCI-6RB, 6" WHEEL, 2000# CAPACITY
712	1	BMH-3CH	3 TON MANUAL CHAIN HOIST MODEL CF020-10
713	1	BTR-3BT	3 TON BALL BEARING TROLLEY MODEL TFP-020
714	1	EBF-DS	SIN MANDDOOR 3' X 7' ST R4 INS IWG WINDOW CLOSER PAN HARDWARE

COLOR SCHEDULE

WALL INTERIOR LINER:	WHITE
WALL EXTERIOR LINER:	DUNE TAN
ROOF INTERIOR LINER:	NATURAL
ROOF EXTERIOR LINER:	NATURAL
TRIM:	METRO BROWN
COOLER:	RUSTOLEUM 906 GREY (STANDARD)
EQUIPMENT:	RUSTOLEUM 906 GREY (STANDARD)
SKID PERIMETER:	RUSTOLEUM 906 GREY (STANDARD)
GRATING:	BLACK (STANDARD)

DIMENSIONS

WIDTH:	23'-0"
LENGTH:	34'-0"
EAVE HEIGHT:	13'-0"
ROOF SLOPE:	4:12

AS-BUILT
DEC 11 1995
DATE _____

© 1995 Enerflex Systems Ltd.
REPRODUCTION OF ANY PORTION OF THESE MATERIALS WITHOUT THE EXPRESS
WRITTEN CONSENT OF ENERFLEX SYSTEMS LTD. IS STRICTLY PROHIBITED.
THESE MATERIALS SHALL NOT BE USED FOR ANY PURPOSE OTHER THAN THE
REPAIR AND MAINTENANCE OF THE PRODUCTS TO WHICH THEY RELATE.

FILENAME:	ISSUE#:		CUSTOMER:	3	AS BUILT	CRN	95/12/07	ORIG DWN BY:	DRD	TITLE:	STANDARD SCHEMATIC
LAST DRAWING SAVE DATE:			PETROSTAR PETROLEUMS INC. (TALBOT LAKE)	2	REVISED COLOR SCHEDULE	CRN	95/10/19	DATE:	94-09-06	BUILDING EQUIP, ELEC & PAINT	
94/09/06 11:48			JOB No.:	1	FOR CONSTRUCTION	CRN	95-08-31	APPR'D BY:	[Signature]	DWG.	SF94104G
				0	FOR APPROVAL	DRD	94-09-06	DATE:	95-12-07	OPER'N #:	70
				Rev.	Description	By	Date				