

GENERAL SPECIFICATIONS

PROCESS GAS
Sweet Sour
Gas Analysis
CUSTOMER SPECIFICATIONS (customer approved vendor list supplied)
vessels piping skid instrumentation compressor
SITE CONDITIONS
aplicable noise spec. elevation ambient operating conditions:

OPN 10: GENERAL ARRANGEMENT

DRIVER
Manufacturer Waukesha Model 7042 GSI
Site Rating 1448 BHP @ 1200 rpm

COMPRESSOR
Service: sweet sour
Frame Manufacturer: Ariel Model: JGK-4

Cylinders
1st stage 14 1/8 in. dia. 635 PSIG MAWP
2nd stage 9 1/8 in. dia. 1270 PSIG MAWP
3rd stage 5 7/8 in. dia. 2050 PSIG MAWP
4th stage in. dia. MAWP

Valves
std yes no other

COOLER
skid mounted off skid/attached to skid remote mounted/not attached

water tubes gas tubes
corrosion allowance (gas sections)
stress relieve gas headers
spot radiograph gas header box
100% radiograph gas header box
spot radiograph nozzle butt welds
100% radiograph nozzle butt welds
ultrasonic test gas headers/nozzles
dye-penetrant test gas headers/nozzles
sour service materials
cold service materials (-50F)
point
galvanized finish
bug screen & hail guard
auto warm air recirculation
low noise fan: Dba @ 1m tip speed

Louvers:
water sections (std): manual set gas sections: manual (sets) auto (sets)
auxiliary upstream louvers
with: -downstream manual louvers -fixed turning vanes

OPN 26: ENGINE AIR, EXHAUST, IGNITION, OIL & MISC.

Exhaust
silencer grade emission control equipment warm air makeup
tip height: 7.270 m
exhaust insulation

Ignition
Altronic III IQ 500 CEC
Type:

OPN 28: DRIVE TRAIN

Cooler Drive
jackshaft

TORSIONAL STUDY

included report req'd
flywheel: extra (if req'd)
special coupling

OPN 30: SKID

Type
2-runner bobbed full width multi-piece other
Run Down Tanks
waste oil glycol P & V drain drip pan
Drip Pan-Equipment
drip lip around eng./comp. fullseal welded bottom other
Concrete Filled
by/at EM by customer (requires cut-outs & rebar)
Other
controls vent header incorporated in skid building structural frame-work req'd lifting lugs lifting rolls grating checker plate

OPN 40: PROCESS VESSELS (SCRUBBERS/PULSATION DAMPENERS)

SPECIFICATIONS
Radiography
scrubber pulsation bottle other
Repads (on Process Pipe Nozzles)
scrubbers pulsation bottles
Fittings
3000# ANSI 6000# ANSI threaded coupling flanged gusseted flanges flange face finish required
ANSI STD special, specify
Scrubber Mist Extraction
mesh pad mesh pad density vane pack mesh pad/vane removable material
Miscellaneous
minimum design temperature process stress relieving charpy testing pickling cleaned & oiled internally sandblast corrosion allowance hydrotest chart req'd Province of registration foreign country registration manway with davit (standard 36" dia.)

OPN 50: PROCESS FLOW

SUCTION VESSEL PROTECTION
suction block valve (must include relief valve provision)
thermal relief valve
suction pressure control valve (must include full flow psv)
suction psv sizing
maximum allowable pressure at unit inlet flange: psig (customer to specify)

PRESSURE RATINGS

Stage 1 suction 645 psig @ 350 F psv setting - psig
Stage 1 discharge 645 psig @ 350 F psv setting 635 psig
Stage 2 suction 645 psig @ 350 F psv setting - psig
Stage 2 discharge 850 psig @ 350 F psv setting 800 psig
Stage 3 suction 850 psig @ 350 F psv setting - psig
Stage 3 discharge 1650 psig @ 350 F psv setting 1650 psig
Stage 4 suction - psig @ F psv setting - psig
Stage 4 discharge - psig @ F psv setting - psig

Note: This section indicates minimum design pressure & temperature ratings. Individual components may have higher MAWP's or temperatures. EM reserves the right to use generic vessels designs.

DESIGN POINT (GUARANTEE POINT)

flow rate: mmscfd
suction pressure: psig suction temperature: F
discharge pressure: psig specific gravity

Startup Conditions

flow rate: mmscfd
suction pressure: psig suction temperature: F
discharge pressure: psig specific gravity

ACOUSTICAL

formal study req'd: yes, ordered by MATRIX no
performed by

Pulsation

API 618 - design approach 1 EM std customer spec.
- design approach 2
- design approach 3

OPN 52: PIPING SPOOLS

MATERIAL SPECIFICATIONS
Materials
standard process/service cold temp. (-50F) stainless steel
pipe fittings flanges
flange face finish required
Process Piping Fittings
bypass blowdown vessel drain
fittings: 3000# ANSI 6000# ANSI screwed 1-1/2" & under socket weld & under (1-1/2") butt weld & over (2")
Notes: 1. Fittings not permitted - bushings, street ells, street tees, all-thread nipples. 2. All 1" nipples to be "XH". All 1-1/2" nipples to be S/160. All 1-1/2" & 2" piping to be min "XH". In a S.W. line add flanges with nipples to screwed valves.
Piping Radiography (percentage of butt welds fully radiographed)
process 100% 10% 5% none other

OPN 52: PIPING SPOOLS (CONT.)

Boiling
sweet sour
SA-194-2H nuts SA-193-B7 studs
304 S.S. spiral wound gaskets iron oval ring joints
cad plated other plating
Miscellaneous (process)
pickling cleaned & oiled internally sandblast externally corrosion allowance stress relieving
SERVICE PIPING FITTINGS
fuel start gas lube oil packing v & d aux. coolant control vent hdr
2000# ANSI 3000# ANSI
screwed socket weld butt weld 3" & over
Note: 1. Considered process piping upstream of first regulator/valve.
Packing Vent & Drain
EM std customer design API 11P API 618 other

OPN 60: CONTROL PANEL & UNIT INSTRUMENTATION

SPECIFICATIONS
Tubing process control pkg & dist piece water/oil/fuel gas/start gas
size 1/4" 1/4" 3/8" various sizes
electro-galvanized 304SS 316SS
Fittings
cad plated 316SS
Note: When using CAD plated steel fittings on s/s tubing, use s/s ferrules. Support required within 18" of end device.
instrument supply medium instrument vented to outside customer instrument mtg. details apply instrument gauge scales
air gas fuel gas off-skid gas
yes no no no
yes no no no
yes no no no
dual metric only

CONTROL PANEL

Type
Flexiguard Microguard Pneumatic other
control supply air gas air or gas other
power supply 24 VDC 120 VAC N/A other
power supply by customer EM on skid source
remote shutdown yes no if yes, voltage req'd 24 V
remote status yes no
cabinet C.S. S/S

Note: 2. Requires clean dry sweet instrument gas supply.

OPN 70: BUILDING, ELECTRICAL & PAINT

BUILDING
shop installed field installed not required
air changes per hour req'd 12 (may require power vent fans by customer)
gas detection req'd by customer
thermal/fire detection req'd by customer
PAINT & FINISH
Building exterior interior trim
galvanized aluminum galvanized
compressor driver cooler skid
EM warm gray EM warm gray EM warm gray EM warm gray
grating black piping warm vessels warm primer gray
control panel warm
ELECTRICAL CONSIDERATIONS
Supply voltage
under 1 HP 120V/16/60Hz
- 1 HP & over
- main drive motor
- engine ignition system 24 VDC
- building lighting 120 VOLT AC
- immersion heater
Area classification
CSA SAA CENELEC other
inside building outside building
Motors - classification
CSA NEMA IEC SAA other
drive - lubricator
pre-lube - exhaust fan CLASS I, DIV I, GROUP D
cooler
- ambient design temperature 104F
Instrumentation classification
- intrinsically safe yes no
- XP yes no
- classification CLASS I, DIV I, GROUP D
located on skid off skid
- classification CLASS I, DIV I, GROUP D
required at skid wire directly into panel
IS XP

OPN 74: CRANE

yes no
1/2 ton jib 2 ton 3 ton
plain hoist geared bridge air hoist
plain trolley geared trolley electric hoist

OPN 80: FINANCIAL, SHIPPING & FREIGHT

SHIPPING
Loading extra firm price extra, storage required included only if done at time of shop removal
freight allowance to site n/a extra estimated firm price actual other.
Long term storage requirements yes no
EM preservation procedure standard domestic overseas other
Export crating - supplied by EM supplied by customer by freight forwarder EM supplied rigging EM supplied spreader bar
Parameters for shipment - Province
maximum width maximum height maximum length maximum weight (single module)
SPARE PARTS & SERVICE
Branch
Pamco Grande Prairie, (403) 539-5974 Medicine Hat, (403) 526-1866
Fort St. John, (604) 785-1171 Lloydminster, (306) 825-9800
Red Deer, (403) 341-3900 Fort McMurray, (403) 790-9612
Calgary, (403) 236-1900 Vancouver, (604) 669-3780
Edmonton, (403) 465-5371 Gas Drive Systems, Sydney, Australia
Atlas Pamco Toronto, (416) 752-7150 011-612-748-7100
Contact Branch Manager for service & parts

OPN 82: RUN TEST & INSPECTION

RUN TEST
engine drive electric drive
EM std. no load full load
customer procedure applies witnessed hold point sound readings req'd vibration readings req'd calibration of instruments req'd continuity test all instruments electric pre-lube pump to be energized. cooler motor to be energized. control panel
yes no yes no yes no yes no yes no yes no yes no yes no yes no
INSPECTION - See EM Project Inspection & Test Plan

OPN 84: DOCUMENTATION & DRAWINGS - See EM Project Inspection & Test Plan

DOCUMENTATION
manuals required - single unit 4 multiple units 4 per unit
Q.C. data book required yes no qty
Instrumentation
data sheets tagging calibration sheets electric certificates of compliance
yes no yes no yes no yes no
DRAWINGS
Metric units Imperial/Metric units
General Arrangement Vessels Skid Cooler
Process Flow Control Panel Crane
Service Flow Anchor Bolt Recommended Minimum Pile Locations
Quantity
For Approval [ 0 ] prints [ 0 ] sepies [ 0 ] CAD disk customer consultant
For Manufacture [ 5 ] prints [ 0 ] sepies [ 0 ] CAD disk
As Built [ 0 ] prints [ 1 ] sepies [ 0 ] CAD disk
approval drawings requested issue date (to be confirmed by engineering/design)

PROJECT CONTACT LIST
Table with columns: Name, Company, Phone, Fax
Rows: Customer (Petrostar Petroleum Inc.), Consultant (Linda Gordon, Gemini Engineering Ltd.), EM Project Manager (John Talton, Enerflex Manufacturing), EM Applications Engineer (Brad McArthur, Enerflex Manufacturing), EM Sales Representative (Jaghi Singh, Enerflex Manufacturing)

AS-BUILT DRAWING NOTES
DATE: DEC 11 1995
OPN # for EM reference only.

AS-BUILT DRAWING NOTES
Table with columns: REV, DESCRIPTION, DWN BY, DATE
Rows: 1 AS BUILT CRN 95/11/27, 0 FOR CONSTRUCTION CRN 95/10/06
Includes Enerflex Systems Ltd. logo and project details:
TITLE: PROJECT SCOPE SUMMARY
ARIEL JGK/4, WAUKESHA 7042GSI, AIR-X-CHANGERS 156EH COMPRESSOR PACKAGE
FOR: PETROSTAR PETROLEUMS INC. (TALBOT LAKE)
CONSULTANT: GEMINI ENGINEERING LTD. LSD: 4-3-96-10 W5M
P.O.: JOB No.: 94104
ORIG DWN BY: CRN DATE: 95/10/06 SCALE: NTS
APPROVED BY: DATE: 95/11/30
DWG No.: SS94104 REV. # 1

© 1995 Enerflex Systems Ltd.  
 REPRODUCTION OF ANY PORTION OF THESE MATERIALS WITHOUT THE EXPRESS WRITTEN CONSENT OF ENERFLEX SYSTEMS LTD. IS STRICTLY PROHIBITED. THESE MATERIALS SHALL NOT BE USED FOR ANY PURPOSE OTHER THAN THE REPAIR AND MAINTENANCE OF THE PRODUCTS TO WHICH THEY RELATE.

PF94104 **BILL OF MATERIAL**

ITEM	QTY.	CODE No.	DESCRIPTION
001	4	BTE-69TU16	TEMP SW, CCS 6900TU16, 400F GP 185-315R 165-308F SS 5' cop
002	2	BTE-TW7575	T'WELL, CCS, 3/4", 7-1/2" U, 304 SS 1/2" LAG, MODEL 6509TW34075104
003	4	BF1-128P1	DUMP, 1" FISHER 128P0C-1B CS 1/4" DR, NC, 0-20 PSI
004	4	BMU-L12ND	LEV CONT, MURPHY L-1200-N-DVD 2" WI BUDYGAS FLOAT
005	4	BMU-L12	LEV SW, MURPHY L-1200 2" XP WI BUDYGAS FLOAT
006	4	BUE-17R20	LEVEL GAUGE, PEACOCK 17-R-20 CS FLAT GLASS REFLEX, NACE
007	4	BUE-1465G	SET GAUGE VALVES, PEACOCK 1465G 3/4" CS (NACE)
009	2	BNU-T314	BALL VALVE, NUTRON T3F15S20B 1-1/2" FP CS WITH HANDLE
010	3	BNU-T310	BALL VALVE, NUTRON T3R10S20B 1" RP CS WITH HANDLE
011	4	BNU-T304	BALL VALVE, NUTRON T3F05S20B 1/2" FP CS WITH HANDLE
012	1	BFA-26HA12	FARRIS PSV, 26HA12 2"-300# X 3'-150#, .785 DR.
013	1	BFA-26GA13	FARRIS PSV, 26GA13 1-1/2"-600# X 2-1/2"-150#, .503 DR.
014	1	BFA-26FA14	FARRIS PSV, 26FA14 1-1/2"-900# X 2-1/2" 300#, .307 DR.
015	1	BCS-0831	CDNE STR., 8"-300# CS, 100% AREA, 316SS, 40 MESH (STD PIPE)
016	1	BCS-0631	CDNE STR., 6"-300# CS, 100% AREA, 316SS, 40 MESH (STD PIPE)
017	1	BCS-0461	CDNE STR., 4"-600# CS, 100% AREA, 316SS, 40 MESH (XH PIPE)
018	2	BTR-30602	TI, TREND 33060 6" STEM BM 3" D DUAL 50-500 DEG. F
019	3	BTR-30401	TI, TREND 33040 4" STEM BM 3" D DUAL 0-250 DEG. F
020	2	BTW-066	THERMOWELL, 1/2" X 3/4" NPTM X 6" LG 304SS/W 1/2" Isg, U = 4.5
021	7	BF1-067	REG, 1/4" FISHER #67AFR-362, 5-35 PSI (WD PI)
022	1	BF1-657D3	CONT VLV, 1" FISHER 657-D-34 3/4" DR ND 6-30 PSI
023	3	BVI-B4S100	PI, WIKA 233.54, 4" LF 316 BT/STK BM 1/2" DUAL 0-1000 PSI
024	3	AAX-LAG	AUTO LOUVER ACTUATOR GAR2D, MOUNTED BY AIR-X
025	3	BND-5012	TEMP CONT, NDRRISEAL 5000 INDIRECT 1" WI 12" PROBE
026	1	BNU-T390J30	BALL VALVE, NUTRON T3R30J09B 3"-900# RTJ CS RP
027	1	BNE-48T14	PISTON CHECK VALVE, 1-1/2" NPT NEWCO 48TLF24-3 800# WDG
030	7	BCE-CM02	VALVE, CENTURY CM2-3-M64T-B-V, 3/4" NPTM X 1/2" NPTF CS
031	1	BEN-PS902	EXT CAGE - MURPHY L1200 2" NPT X 1-1/2" PS FULL DWG. 10.3003
032	1	BMU-VS2EX	VIB SW, MURPHY VS-2-EX XP WI MANUAL RESET
033	2	BNU-T314	BALL VALVE, NUTRON T3F15S20B 1-1/2" FP CS WITH HANDLE
034	4	BVI-CB2C006	PI, WIKA 111.10, 2" BM 1/4" DUAL 0-60 PSI
039	1	BNU-T306	BALL VALVE, NUTRON T3R07S20B 3/4" RP CS WITH HANDLE
041	6	XWEDGESUPPORT	BOTTLE WEDGE SUPPORTS BY ESL
046	2	BTR-30402	TI, TREND 33040 4" STEM BM 3" D DUAL 50-500 DEG. F
047	5	BTW-064	THERMOWELL, 1/2" X 3/4" NPTM X 4" LONG 304SS, U = 2 1/2"
049	1	XDRIFICEPLATE	DR. PLATE, TYPE 520 1/8 THK 4"-1500HRF, CS (3.152" I.D.)
054	1	BTE-TW7545	T'WELL, CCS, 3/4", 4 1/2" U, 304 SS 113-35-1
055	1	BTE-TW7525	T'WELL, CCS, 3/4", 2 1/2" U, 304SS # 6509TW34025204 C/W 2" T LAG
057	2	XDRIFICEPLATE	DRIFICE PLATE, TYPE 520 1/8 THK 10"-300HRF, 9.75" I.D., CS
059	1	XDRIFICEPLATE	DRIFICE PLATE, TYPE 520 1/8 THK 6"-900HRF, 4.0" I.D., CS
060	1	XDRIFICEPLATE	DRIFICE PLATE, TYPE 520 1/8 THK 6"-900HRF, 5.761" I.D., CS
063	1	XDRIFICEPLATE	DRIFICE PLATE, TYPE 520 1/8 THK 4"-1500HRF, 3.626" I.D., CS
065	2	XDRIFICEPLATE	DRIFICE PLATE, TYPE 520 1/8 THK 10"-300HRF, 9.75" I.D., CS
066	3	BND-TW12	THERMOWELL, 1/2" X 1" NPT SS, 3000 PSIG MAWP
067	2	NP4-12301	LEVEL CAGE, LINC 700-02-01, NACE W/D SITE GLASS

- GENERAL NOTES**
- THIS DRAWING IS NOT TO BE USED FOR CONSTRUCTION UNLESS STAMPED "RELEASED FOR MANUFACTURE".
  - ALL PROCESS PIPING TO BE CLAMPED AS NEAR TO ALL ELBOWS AS POSSIBLE. REFER TO DRAWING 12.8006.
  - FOR DESIGN PARAMETERS REFER TO PROJECT SCOPE SUMMARY DRAWING No. SS94104
  - FOR CUSTOMER CONNECTIONS REFER TO GENERAL ARRANGEMENT DRAWING No. GA94104
  - PIPE NIPPLES 1-1/2" AND SMALLER TO BE MIN. XXH WALL THICKNESS.
  - ALL PROCESS FLANGES AND PIPE OUTSIDE OF BUILDING ARE TO BE LOW TEMPERATURE MATERIAL.
  - TUBE ALL INSTRUMENT VENTS OUTSIDE OF BUILDING.

REV	DESCRIPTION	DATE	DRAWN BY	CHECKED BY
2	AS BUILT	95/11/22	CRN	
1	FOR CONSTRUCTION	95-10-10	CRN	
0	FOR APPROVAL	94-10-20	DRD	

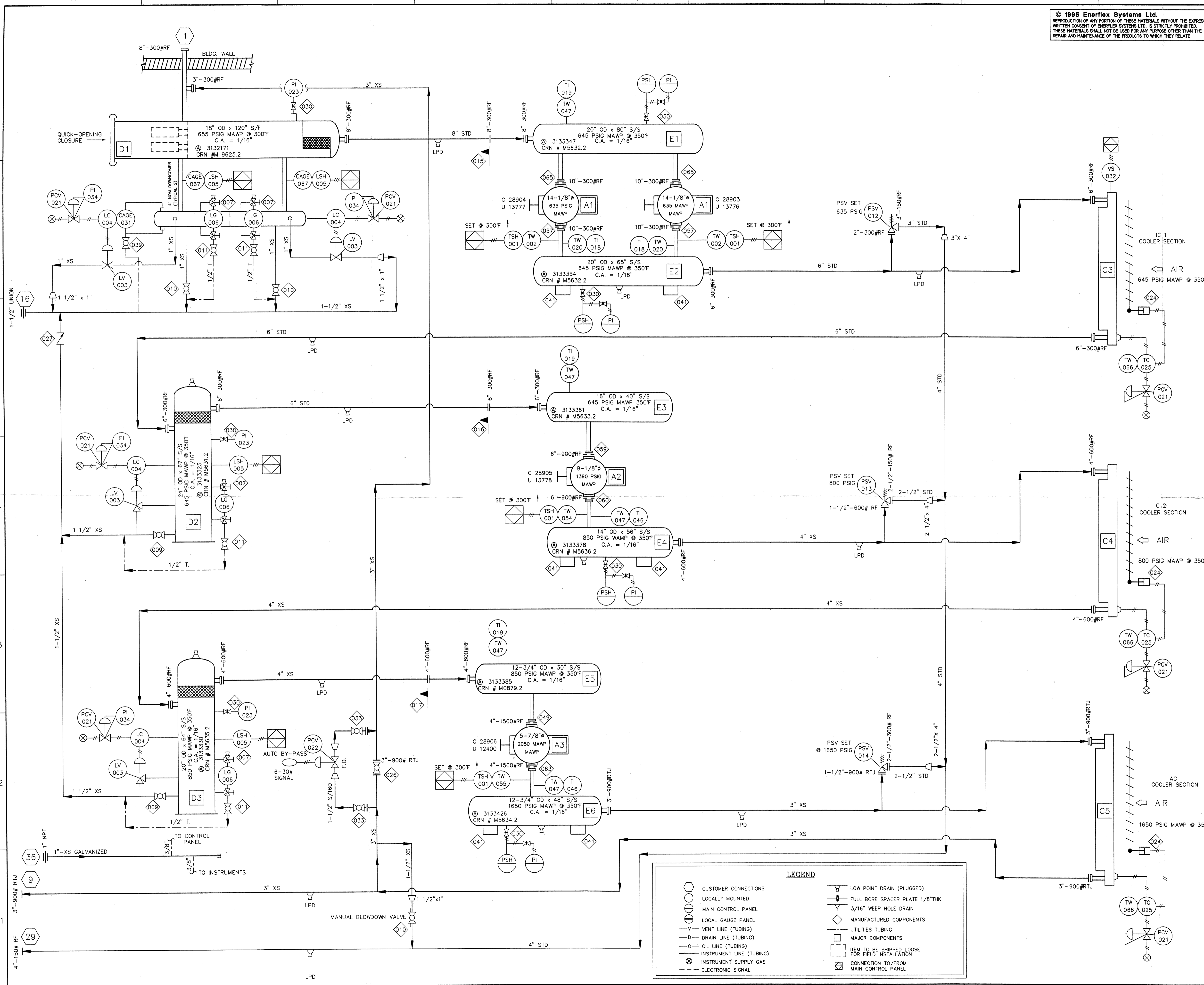
**AS-BUILT**  
 DATE: 95/11/22

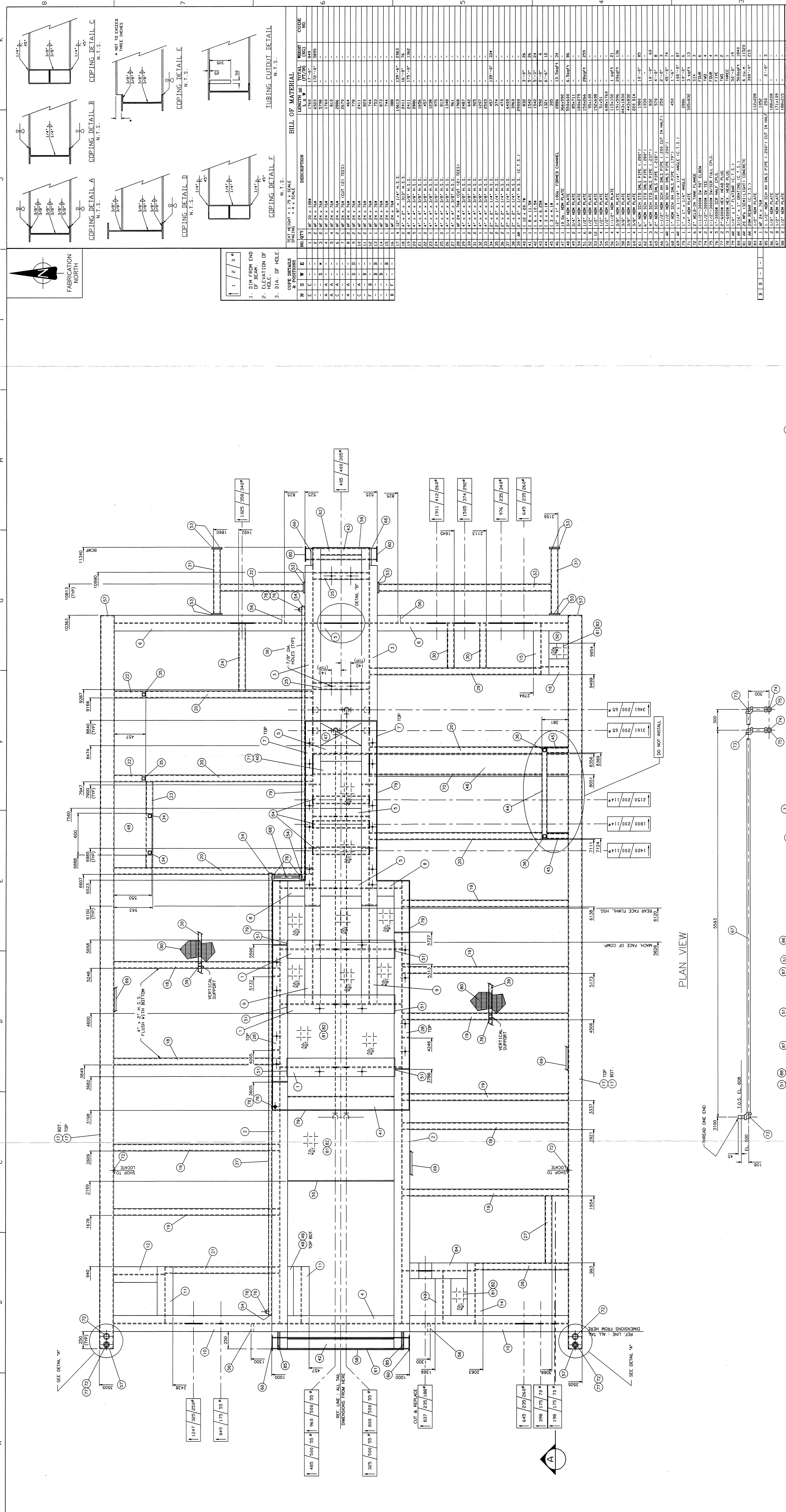
**Enerflex Systems Ltd.**  
 CALGARY EDMONTON GRANDE PRAIRIE MEDICINE HAT RED DEER FORT McMURRAY FORT ST. JOHN, B.C. LLOYDMINSTER, SASKATCHEWAN SYDNEY, AUSTRALIA

TITLE: **PROCESS & INSTRUMENTATION DIAGRAM**  
**ARIEL JGK-4 / WAUKESHA 7042GSI / AIR-X-156EH**  
 COMPRESSOR PACKAGE

FOR: **PETROSTAR PETROLEUMS INC.**  
 (TALBOT LAKE)

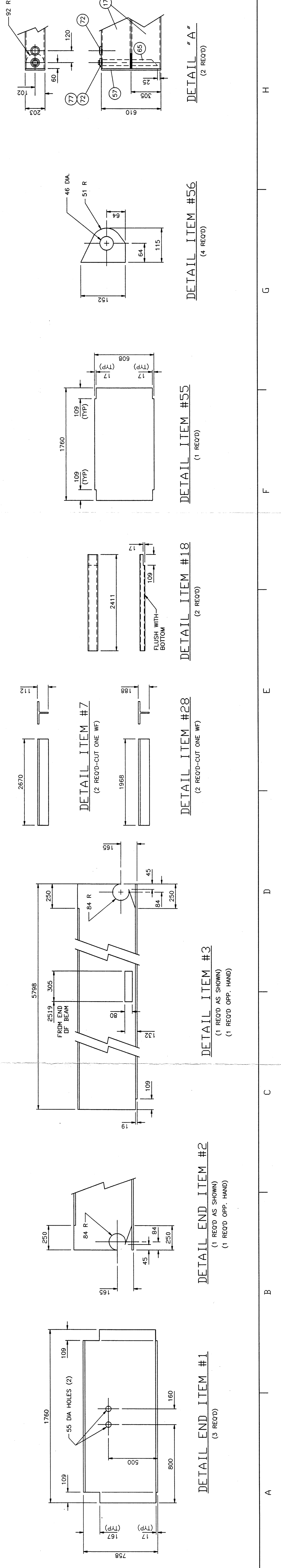
CONSULTANT: GEMINI ENGINEERING LTD. JOB No.: 4-3-96-10 W5M  
 P.O.: DWN BY: D. OBUCK CHECKED BY: DATE: 94/12/15 DWG. NO. PF94104





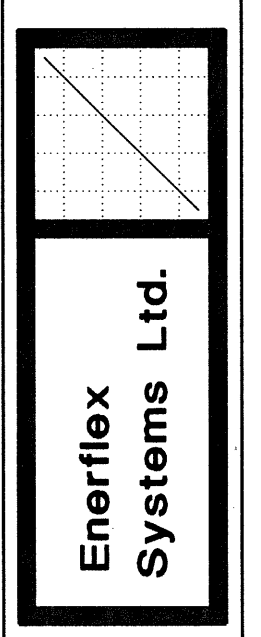
PLAN VIEW

SECTION A-A  
(TANK REMOVED FOR CLARITY)



**AS-BUILT**  
DATE: DEC 11 1985

**GENERAL NOTES**  
1. THIS DRAWING IS NOT TO BE USED FOR CONSTRUCTION UNLESS STAMPED.  
2. RELEASED FOR MANUFACTURE UNLESS OTHERWISE SPECIFIED.  
3. ALL DIMENSIONS ARE IN MILLIMETERS.  
4. ALL STEEL DIMENSIONS ARE FIT TO FIT.  
5. ALL DIMENSIONS ARE TO FACE UNLESS OTHERWISE SPECIFIED.  
6. SHIP CONSTRUCTION TO MAINTAIN FLUSH ON TOP PRODUCT. FOR SLIGHTLY MARKED FLANGES, THE MARKING SHOULD BE KEPT FLAT IN ENGINE AREA.  
7. FOR DETAILS SEE DRAWING SHEETS OF MAIN SKID AND BUTTLE MAIN BEAM FLANGES.  
8. ALL DIMENSIONS ARE TO BE KEPT UNLESS OTHERWISE INDICATED.



REV	DESCRIPTION	DATE	DRAWN	CHECKED
1	ISSUE FOR CONSTRUCTION	94-11-23	DM	DM
2	FOR APPROVAL	94-11-23	DM	DM
3	AS BUILT	94-11-23	DM	DM
4	CHANGED FOR CONSTRUCTION	95-08-22	DM	DM

TITLE: MAIN SKID AIR-X-CHANGERS 1506H  
 FOR: PRESTAR PROTEGEMS LTD. (TALBOT LAKE)  
 CONSULTANT: GEMINI ENGINEERING LTD.  
 DATE: 94-11-23  
 DESIGNED BY: DM  
 DRAWN BY: D. DUBACK  
 CHECKED BY: DM  
 ISSUED BY: JESU

NO	QTY	DESCRIPTION	UNIT	WEIGHT (KG)	CODE NO.
1	1	1/2" X 1/2" X 1/2" ANGLE (C.T.B.)	23524	1.2	23524
2	1	1/2" X 1/2" X 1/2" ANGLE (C.T.B.)	23524	1.2	23524
3	1	1/2" X 1/2" X 1/2" ANGLE (C.T.B.)	23524	1.2	23524
4	1	1/2" X 1/2" X 1/2" ANGLE (C.T.B.)	23524	1.2	23524
5	1	1/2" X 1/2" X 1/2" ANGLE (C.T.B.)	23524	1.2	23524
6	1	1/2" X 1/2" X 1/2" ANGLE (C.T.B.)	23524	1.2	23524
7	1	1/2" X 1/2" X 1/2" ANGLE (C.T.B.)	23524	1.2	23524
8	1	1/2" X 1/2" X 1/2" ANGLE (C.T.B.)	23524	1.2	23524
9	1	1/2" X 1/2" X 1/2" ANGLE (C.T.B.)	23524	1.2	23524
10	1	1/2" X 1/2" X 1/2" ANGLE (C.T.B.)	23524	1.2	23524
11	1	1/2" X 1/2" X 1/2" ANGLE (C.T.B.)	23524	1.2	23524
12	1	1/2" X 1/2" X 1/2" ANGLE (C.T.B.)	23524	1.2	23524
13	1	1/2" X 1/2" X 1/2" ANGLE (C.T.B.)	23524	1.2	23524
14	1	1/2" X 1/2" X 1/2" ANGLE (C.T.B.)	23524	1.2	23524
15	1	1/2" X 1/2" X 1/2" ANGLE (C.T.B.)	23524	1.2	23524
16	1	1/2" X 1/2" X 1/2" ANGLE (C.T.B.)	23524	1.2	23524
17	1	1/2" X 1/2" X 1/2" ANGLE (C.T.B.)	23524	1.2	23524
18	1	1/2" X 1/2" X 1/2" ANGLE (C.T.B.)	23524	1.2	23524
19	1	1/2" X 1/2" X 1/2" ANGLE (C.T.B.)	23524	1.2	23524
20	1	1/2" X 1/2" X 1/2" ANGLE (C.T.B.)	23524	1.2	23524
21	1	1/2" X 1/2" X 1/2" ANGLE (C.T.B.)	23524	1.2	23524
22	1	1/2" X 1/2" X 1/2" ANGLE (C.T.B.)	23524	1.2	23524
23	1	1/2" X 1/2" X 1/2" ANGLE (C.T.B.)	23524	1.2	23524
24	1	1/2" X 1/2" X 1/2" ANGLE (C.T.B.)	23524	1.2	23524
25	1	1/2" X 1/2" X 1/2" ANGLE (C.T.B.)	23524	1.2	23524
26	1	1/2" X 1/2" X 1/2" ANGLE (C.T.B.)	23524	1.2	23524
27	1	1/2" X 1/2" X 1/2" ANGLE (C.T.B.)	23524	1.2	23524
28	1	1/2" X 1/2" X 1/2" ANGLE (C.T.B.)	23524	1.2	23524
29	1	1/2" X 1/2" X 1/2" ANGLE (C.T.B.)	23524	1.2	23524
30	1	1/2" X 1/2" X 1/2" ANGLE (C.T.B.)	23524	1.2	23524
31	1	1/2" X 1/2" X 1/2" ANGLE (C.T.B.)	23524	1.2	23524
32	1	1/2" X 1/2" X 1/2" ANGLE (C.T.B.)	23524	1.2	23524
33	1	1/2" X 1/2" X 1/2" ANGLE (C.T.B.)	23524	1.2	23524
34	1	1/2" X 1/2" X 1/2" ANGLE (C.T.B.)	23524	1.2	23524
35	1	1/2" X 1/2" X 1/2" ANGLE (C.T.B.)	23524	1.2	23524
36	1	1/2" X 1/2" X 1/2" ANGLE (C.T.B.)	23524	1.2	23524
37	1	1/2" X 1/2" X 1/2" ANGLE (C.T.B.)	23524	1.2	23524
38	1	1/2" X 1/2" X 1/2" ANGLE (C.T.B.)	23524	1.2	23524
39	1	1/2" X 1/2" X 1/2" ANGLE (C.T.B.)	23524	1.2	23524
40	1	1/2" X 1/2" X 1/2" ANGLE (C.T.B.)	23524	1.2	23524
41	1	1/2" X 1/2" X 1/2" ANGLE (C.T.B.)	23524	1.2	23524
42	1	1/2" X 1/2" X 1/2" ANGLE (C.T.B.)	23524	1.2	23524
43	1	1/2" X 1/2" X 1/2" ANGLE (C.T.B.)	23524	1.2	23524
44	1	1/2" X 1/2" X 1/2" ANGLE (C.T.B.)	23524	1.2	23524
45	1	1/2" X 1/2" X 1/2" ANGLE (C.T.B.)	23524	1.2	23524
46	1	1/2" X 1/2" X 1/2" ANGLE (C.T.B.)	23524	1.2	23524
47	1	1/2" X 1/2" X 1/2" ANGLE (C.T.B.)	23524	1.2	23524
48	1	1/2" X 1/2" X 1/2" ANGLE (C.T.B.)	23524	1.2	23524
49	1	1/2" X 1/2" X 1/2" ANGLE (C.T.B.)	23524	1.2	23524
50	1	1/2" X 1/2" X 1/2" ANGLE (C.T.B.)	23524	1.2	23524
51	1	1/2" X 1/2" X 1/2" ANGLE (C.T.B.)	23524	1.2	23524
52	1	1/2" X 1/2" X 1/2" ANGLE (C.T.B.)	23524	1.2	23524
53	1	1/2" X 1/2" X 1/2" ANGLE (C.T.B.)	23524	1.2	23524
54	1	1/2" X 1/2" X 1/2" ANGLE (C.T.B.)	23524	1.2	23524
55	1	1/2" X 1/2" X 1/2" ANGLE (C.T.B.)	23524	1.2	23524
56	1	1/2" X 1/2" X 1/2" ANGLE (C.T.B.)	23524	1.2	23524

8  
7  
6  
5  
4  
3  
2  
1

K  
J  
I  
H  
G  
F  
E  
D  
C  
B  
A

