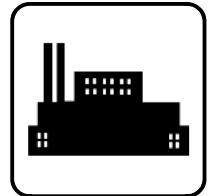


Wiring Diagrams

Industrial Generator Sets



Models:

25-150REZG
80/100REZGB
80/100RZGB

Controllers:

Decision-Maker® 3+
Decision-Maker® 550
Decision-Maker® 3000
Decision-Maker® 6000



KOHLER[®]
POWER SYSTEMS

TP-6712 2/12c

Product Identification Information

Product identification numbers determine service parts. Record the product identification numbers in the spaces below immediately after unpacking the products so that the numbers are readily available for future reference. Record field-installed kit numbers after installing the kits.

Generator Set Identification Numbers

Record the product identification numbers from the generator set nameplate(s).

Model Designation _____

Specification Number _____

Serial Number _____

Accessory Number	Accessory Description
-------------------------	------------------------------

_____	_____
_____	_____
_____	_____
_____	_____
_____	_____
_____	_____
_____	_____
_____	_____
_____	_____
_____	_____
_____	_____
_____	_____
_____	_____
_____	_____
_____	_____
_____	_____
_____	_____
_____	_____
_____	_____
_____	_____

Engine Identification

Record the product identification information from the engine nameplate.

Manufacturer _____

Model Designation _____

Serial Number _____

Controller Identification

Record the controller description from the generator set operation manual, spec sheet, or sales invoice.

Controller Description _____

This manual provides wiring diagrams for the 25-150REZG, 80/100REZGB, and 80/100RZGB generator sets equipped with one of the following controllers:

- Decision-Maker® 3+
- Decision-Maker® 550
- Decision-Maker® 3000
- Decision-Maker® 6000

Information in this publication represents data available at the time of print. Kohler Co. reserves the right to change this publication and the products represented without notice and without any obligation or liability whatsoever.

Service Assistance

For professional advice on generator set power requirements and conscientious service, please contact your nearest Kohler distributor or dealer.

- Consult the Yellow Pages under the heading Generators—Electric.
- Visit the Kohler Power Systems website at KohlerPower.com.
- Look at the labels and stickers on your Kohler product or review the appropriate literature or documents included with the product.
- Call toll free in the US and Canada 1-800-544-2444.
- Outside the US and Canada, call the nearest regional office.

Headquarters Europe, Middle East, Africa (EMEA)

Kohler Power Systems
3 rue de Brennus
93200 Saint Denis
France
Phone: (33) 1 49 178300
Fax: (33) 1 49 178301

Asia Pacific

Power Systems Asia Pacific Regional Office
Singapore, Republic of Singapore
Phone: (65) 6264-6422
Fax: (65) 6264-6455

China

North China Regional Office, Beijing
Phone: (86) 10 6518 7950
(86) 10 6518 7951
(86) 10 6518 7952
Fax: (86) 10 6518 7955

East China Regional Office, Shanghai
Phone: (86) 21 6288 0500
Fax: (86) 21 6288 0550

India, Bangladesh, Sri Lanka

India Regional Office
Bangalore, India
Phone: (91) 80 3366208
(91) 80 3366231
Fax: (91) 80 3315972

Japan, Korea

North Asia Regional Office
Tokyo, Japan
Phone: (813) 3440-4515
Fax: (813) 3440-2727

Latin America

Latin America Regional Office
Lakeland, Florida, USA
Phone: (863) 619-7568
Fax: (863) 701-7131

Notes

Wiring Diagrams

Use the Wiring Diagram Cross-Reference chart to determine the wiring diagram version number for a given model number and spec number. Then find that version number, the controller type, and the alternator

type on the Wiring Diagrams Reference chart to determine the wiring diagram numbers for your unit. Refer to Controller Identification for controller type identification, if necessary.

Wiring Diagram Cross-Reference

Generator Set Model No.	Hz	Generator Set Spec No.	Wiring Diagram Version No.
25REZG	50/60	GM69415-GA1,3,5	1
30REZG	50/60	GM69415-GA2,4,6	1
40REZG	50/60	GM66092-GA1,3,5	2
45REZG	50/60	GM66092-GA2,4,6	2
50REZG	50/60	GM66910-GA1,2,3	3
60REZG	50/60	GM66911-GA1,2,3	3
80REZG	50/60	GM66590-GA1,3,9	3
80REZGB	60	GM71610-GA1	4
80RZGB	50/60	GM71610-GA11	4
100REZG	50/60	GM66590-GA2,4,10	5
100REZGB	60	GM71610-GA2,9	6
100RZGB	50/60	GM71610-GA12,15	6
125REZG	50/60	GM65362-GA1,2,5	5
150REZG	50/60	GM64060-GA1	5

25/30REZG Wiring Diagrams Reference

Controller Description	Version 1	Page
Decision-Maker® 550 Controller		
Point-to-Point Wiring Diagram		
Sheet 1	GM63941A-D	61
Sheet 2	GM63941B-D	62
Sheet 3	GM63941C-D	62
Permanent Magnet Alternator	GM35943-D	60
Schematic Diagram		
Sheet 1	ADV-7600A-E	19
Sheet 2	ADV-7600B-E	20
Sheet 3	ADV-7600C-E	21
Sheet 4 (25/30 kW, 3.0 L)	ADV-7600D-E	22
Sheet 5 (40/45 kW, 4.3 L)	ADV-7600E-E	23
Permanent Magnet Alternator	ADV-6957-B	18
Accessory Connections		
Accessories	GM16088A-H	57
Remote Annunciator Kit	GM16088B-H	58
Decision-Maker® 3000 Controller		
Point-to-Point Wiring Diagram		
Sheet 1	GM73379A-B	86
Sheet 2	GM73379B-B	87
Sheet 3	GM73379C-B	88
Permanent Magnet Alternator	GM35943-D	60
Schematic Diagram		
Sheet 1	ADV-7834A-C	41
Sheet 2	ADV-7834B-C	42
Sheet 3 (25/30 kW, 3.0 L)	ADV-7834C-C	43
Sheet 4 (40/45 kW, 4.3 L)	ADV-7834D-C	44
Permanent Magnet Alternator	ADV-6957-B	18
Accessory Connections		
Accessories	GM67191-B	67
Alternator Reconnections		
4-Lead	ADV-5875A-M	15
12-Lead	ADV-5875B-M	16

40/45REZG Wiring Diagrams Reference

Controller Description	Version 2	Page
Decision-Maker® 3+ Controller		
Point-to-Point Wiring Diagram		
Sheet 1	GM63942A-D	64
Sheet 2	GM63942B-D	65
Sheet 3	GM63942C-D	66
Permanent Magnet Alternator	GM35941-G	59
Schematic Diagram		
Sheet 1	ADV-7601A-D	24
Sheet 2	ADV-7601B-D	25
Sheet 3 (25/30 kW, 3.0 L)	ADV-7601C-D	26
Sheet 4 (40/45 kW, 4.3 L)	ADV-7601D-D	27
Permanent Magnet Alternator	ADV-6955-C	17
Accessory Connections		
Accessories	328912A-H	89
Remote Annunciator Kit	328912B-H	90
Decision-Maker® 550 Controller *		
Point-to-Point Wiring Diagram		
Sheet 1	GM63941A-D	61
Sheet 2	GM63941B-D	62
Sheet 3	GM63941C-D	63
Permanent Magnet Alternator	GM35943-D	60
Schematic Diagram		
Sheet 1	ADV-7600A-E	19
Sheet 2	ADV-7600B-E	20
Sheet 3	ADV-7600C-E	21
Sheet 4 (25/30 kW, 3.0 L)	ADV-7600D-E	22
Sheet 5 (40/45 kW, 4.3 L)	ADV-7600E-E	23
Permanent Magnet Alternator	ADV-6957-B	18
Accessory Connections		
Accessories	GM16088A-H	57
Remote Annunciator Kit	GM16088B-H	58
Decision-Maker® 3000 Controller *		
Point-to-Point Wiring Diagram		
Sheet 1	GM73379A-B	86
Sheet 2	GM73379B-B	87
Sheet 3	GM73379C-B	88
Permanent Magnet Alternator	GM35943-D	60
Schematic Diagram		
Sheet 1	ADV-7834A-C	41
Sheet 2	ADV-7834B-C	42
Sheet 3 (25/30 kW, 3.0 L)	ADV-7834C-C	43
Sheet 4 (40/45 kW, 4.3 L)	ADV-7834D-C	44
Permanent Magnet Alternator	ADV-6957-B	18
Accessory Connections		
Accessories	GM67191-B	67
Alternator Reconnections		
4-Lead	ADV-5875A-M	15
12-Lead	ADV-5875B-M	16

* **Note:** Use Version 2 with Control and Harness Module Nos. GM69425-MA1, GM71696-MA3, GM71699-MA3, and GM72450-MA1. Refer to TP-6799 with Control and Harness Module Nos. GM77347-MA1, GM77348-MA1, GM77349-MA3, and GM77350-MA3. The Module Nos. are listed on a nameplate decal located on the generator set controller or junction box.

50-80REZG Wiring Diagrams Reference

Controller Description	Version 3	Page
Decision-Maker® 3+ Controller		
Point-to-Point Wiring Diagram		
Sheet 1	GM70544A-D	68
Sheet 2	GM70544B-D	69
Sheet 3	GM70544C-D	70
Sheet 4	GM70544D-D	71
Permanent Magnet Alternator	GM35941-G	59
Schematic Diagram		
Sheet 1	ADV-7738A-C	35
Sheet 2	ADV-7738B-C	36
Sheet 3	ADV-7738C-C	37
Sheet 4 (50/60 kW, 5.0 L/5.7 L)	ADV-7738D-C	38
Sheet 5 (80/100 kW, 8.1 L Naturally Aspirated)	ADV-7738E-C	39
Permanent Magnet Alternator	ADV-6955-C	17
Accessory Connections		
Accessories	328912A-H	89
Remote Annunciator Kit	328912B-H	90
Decision-Maker® 550 Controller		
Point-to-Point Wiring Diagram		
Sheet 1	GM70545A-D	72
Sheet 2	GM70545B-D	73
Sheet 3	GM70545C-D	74
Sheet 4	GM70545D-D	75
Permanent Magnet Alternator	GM35943-D	60
Schematic Diagram		
Sheet 1	ADV-7737A-C	28
Sheet 2	ADV-7737B-C	29
Sheet 3	ADV-7737C-C	30
Sheet 4	ADV-7737D-C	31
Sheet 5 (50/60 kW, 5.0 L/5.7 L)	ADV-7737E-C	32
Sheet 6 (80/100 kW, 8.1 L Naturally Aspirated)	ADV-7737F-C	33
Permanent Magnet Alternator	ADV-6957-B	18
Accessory Connections		
Accessories	GM16088A-H	57
Remote Annunciator Kit	GM16088B-H	58
Decision-Maker® 3000 Controller		
Point-to-Point Wiring Diagram		
Sheet 1	GM72401A-E	76
Sheet 2	GM72401B-E	77
Sheet 3	GM72401C-E	78
Sheet 4	GM72401D-E	79
Permanent Magnet Alternator	GM35943-D	60
Schematic Diagram		
Sheet 1	ADV-7861A-F	45
Sheet 2	ADV-7861B-F	46
Sheet 3	ADV-7861C-F	47
Sheet 4 (50/60 kW, 5.0 L/5.7 L)	ADV-7861D-F	48
Sheet 5 (80/100 kW, 8.1 L Naturally Aspirated)	ADV-7861E-F	49
Permanent Magnet Alternator	ADV-6957-B	18
Accessory Connections		
Accessories	GM67191-B	67

50-80REZG Wiring Diagrams Reference, continued

Controller Description	Version 3	Page
Alternator Reconnections		
4-Lead	ADV-5875A-M	15
12-Lead	ADV-5875B-M	16

80REZGB/RZGB Wiring Diagrams Reference

Controller Description	Version 4	Page
Decision-Maker® 550 Controller		
Point-to-Point Wiring Diagram		
Sheet 1	GM70545A-D	72
Sheet 2	GM70545B-D	73
Sheet 3	GM70545C-D	74
Sheet 4	GM70545D-D	75
Permanent Magnet Alternator	GM35943-D	60
Schematic Diagram		
Sheet 1	ADV-7737A-C	28
Sheet 2	ADV-7737B-C	29
Sheet 3	ADV-7737C-C	30
Sheet 4	ADV-7737D-C	31
Sheet 5 (5.0 L/5.7 L)	ADV-7737E-C	32
Permanent Magnet Alternator	ADV-6957-B	18
Accessory Connections		
Accessories	GM16088A-H	57
Remote Annunciator Kit	GM16088B-H	58
Decision-Maker® 3000 Controller		
Point-to-Point Wiring Diagram		
Sheet 1	GM72401A-E	76
Sheet 2	GM72401B-E	77
Sheet 3	GM72401C-E	78
Sheet 4	GM72401D-E	79
Permanent Magnet Alternator	GM35943-D	60
Schematic Diagram		
Sheet 1	ADV-7861A-F	45
Sheet 2	ADV-7861B-F	46
Sheet 3	ADV-7861C-F	47
Sheet 4 (5.0 L/5.7 L)	ADV-7861D-F	48
Permanent Magnet Alternator	ADV-6957-B	18
Accessory Connections		
Accessories	GM67191-B	67
Alternator Reconnections		
4-Lead	ADV-5875A-M	15
12-Lead	ADV-5875B-M	16

100-150REZG Wiring Diagrams Reference

Controller Description	Version 5	Page
Decision-Maker® 3+ Controller		
Point-to-Point Wiring Diagram		
Sheet 1	GM70544A-D	68
Sheet 2	GM70544B-D	69
Sheet 3	GM70544C-D	70
Sheet 4	GM70544D-D	71
Permanent Magnet Alternator	GM35941-G	59
Schematic Diagram		
Sheet 1	ADV-7738A-C	35
Sheet 2	ADV-7738B-C	36
Sheet 3	ADV-7738C-C	37
Sheet 5 (80/100 kW, 8.1 L Naturally Aspirated)	ADV-7738E-C	39
Sheet 6 (125/150 kW, 8.1 L Turbo)	ADV-7738F-C	40
Permanent Magnet Alternator	ADV-6955-C	17
Accessory Connections		
Accessories	328912A-H	89
Remote Annunciator Kit	328912B-H	90
Decision-Maker® 550 Controller		
Point-to-Point Wiring Diagram		
Sheet 1	GM70545A-D	72
Sheet 2	GM70545B-D	73
Sheet 3	GM70545C-D	74
Sheet 4	GM70545D-D	75
Permanent Magnet Alternator	GM35943-D	60
Schematic Diagram		
Sheet 1	ADV-7737A-C	28
Sheet 2	ADV-7737B-C	29
Sheet 3	ADV-7737C-C	30
Sheet 4	ADV-7737D-C	31
Sheet 6 (80/100 kW, 8.1 L Naturally Aspirated)	ADV-7737F-C	33
Sheet 7 (125/150 kW, 8.1 L Turbo)	ADV-7737G-C	34
Permanent Magnet Alternator	ADV-6957-B	18
Accessory Connections		
Accessories	GM16088A-H	57
Remote Annunciator Kit	GM16088B-H	58
Decision-Maker® 3000 Controller		
Point-to-Point Wiring Diagram		
Sheet 1	GM72401A-E	76
Sheet 2	GM72401B-E	77
Sheet 3	GM72401C-E	78
Sheet 4	GM72401D-E	79
Permanent Magnet Alternator	GM35943-D	60
Schematic Diagram		
Sheet 1	ADV-7861A-F	45
Sheet 2	ADV-7861B-F	46
Sheet 3	ADV-7861C-F	47
Sheet 5 (80/100 kW, 8.1 L Naturally)	ADV-7861E-F	49
Sheet 6 (125/150 kW, 8.1 L Turbo)	ADV-7861F-F	50
Permanent Magnet Alternator	ADV-6957-B	18
Accessory Connections		
Accessories	GM67191-B	67

100-150REZG Wiring Diagrams Reference, continued

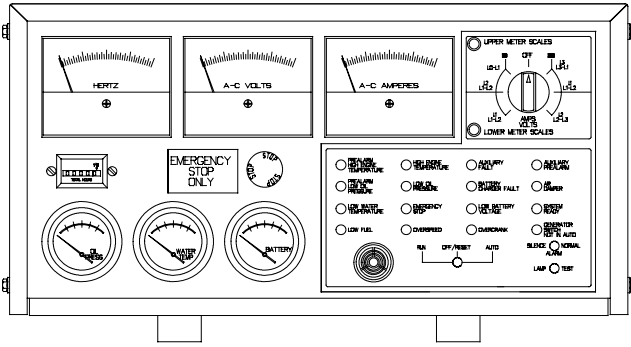
Controller Description	Version 5	Page
Decision-Maker® 6000 Controller		
Point-to-Point Wiring Diagram		
Sheet 1	GM72440A-A	80
Sheet 2	GM72440B-A	81
Sheet 3	GM72440C-A	82
Sheet 4	GM72440D-A	83
Sheet 5	GM72440E-A	84
Sheet 6	GM72440F-A	85
Permanent Magnet Alternator	GM35943-D	60
Schematic Diagram		
Sheet 1	ADV-7862A-A	51
Sheet 2	ADV-7862B-A	52
Sheet 3	ADV-7862C-A	53
Sheet 4	ADV-7862D-A	54
Sheet 5	ADV-7862E-A	55
Sheet 6	ADV-7862F-A	56
Permanent Magnet Alternator	ADV-6957-B	18
Alternator Reconnections		
4-Lead	ADV-5875A-M	15
12-Lead	ADV-5875B-M	16

100REZGB/RZGB Wiring Diagrams Reference

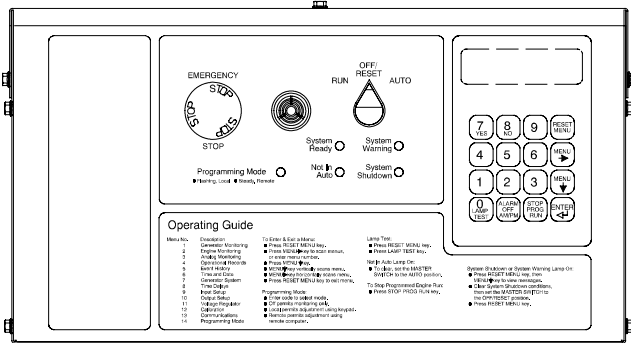
Controller Description	Version 6	Page
Decision-Maker® 550 Controller		
Point-to-Point Wiring Diagram		
Sheet 1	GM70545A-D	72
Sheet 2	GM70545B-D	73
Sheet 3	GM70545C-D	74
Sheet 4	GM70545D-D	75
Permanent Magnet Alternator	GM35943-D	60
Schematic Diagram		
Sheet 1	ADV-7737A-C	28
Sheet 2	ADV-7737B-C	29
Sheet 3	ADV-7737C-C	30
Sheet 4	ADV-7737D-C	31
Sheet 5 (5.0 L/5.7 L)	ADV-7737E-C	32
Permanent Magnet Alternator	ADV-6957-B	18
Accessory Connections		
Accessories	GM16088A-H	57
Remote Annunciator Kit	GM16088B-H	58

100REZGB/RZGB Wiring Diagrams Reference, continued

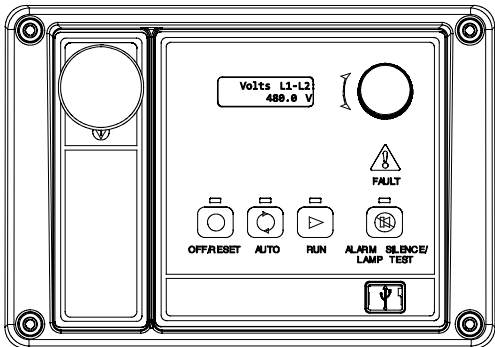
Controller Description	Version 6	Page
Decision-Maker® 3000 Controller		
Point-to-Point Wiring Diagram		
Sheet 1	GM72401A-E	76
Sheet 2	GM72401B-E	77
Sheet 3	GM72401C-E	78
Sheet 4	GM72401D-E	79
Permanent Magnet Alternator	GM35943-D	60
Schematic Diagram		
Sheet 1	ADV-7861A-F	45
Sheet 2	ADV-7861B-F	46
Sheet 3	ADV-7861C-F	47
Sheet 4 (5.0 L/5.7 L)	ADV-7861D-F	48
Permanent Magnet Alternator	ADV-6957-B	18
Accessory Connections		
Accessories	GM67191-B	67
Decision-Maker® 6000 Controller		
Point-to-Point Wiring Diagram		
Sheet 1	GM72440A-A	80
Sheet 2	GM72440B-A	81
Sheet 3	GM72440C-A	82
Sheet 4	GM72440D-A	83
Sheet 5	GM72440E-A	84
Sheet 6	GM72440F-A	85
Permanent Magnet Alternator	GM35943-D	60
Schematic Diagram		
Sheet 1	ADV-7862A-A	51
Sheet 2	ADV-7862B-A	52
Sheet 3	ADV-7862C-A	53
Sheet 4	ADV-7862D-A	54
Sheet 5	ADV-7862E-A	55
Sheet 6	ADV-7862F-A	56
Permanent Magnet Alternator	ADV-6957-B	18
Alternator Reconnections		
4-Lead	ADV-5875A-M	15
12-Lead	ADV-5875B-M	16



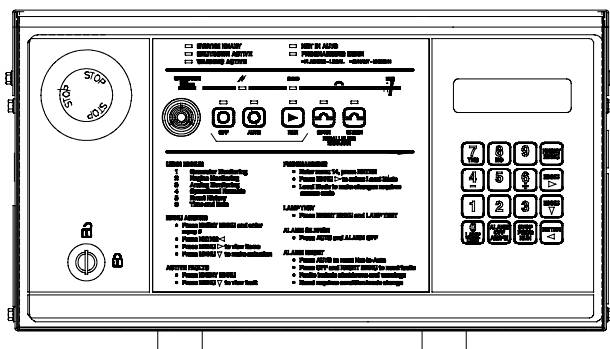
Decision-Maker® 3+, 16-Light Controller



Decision-Maker® 550 Controller



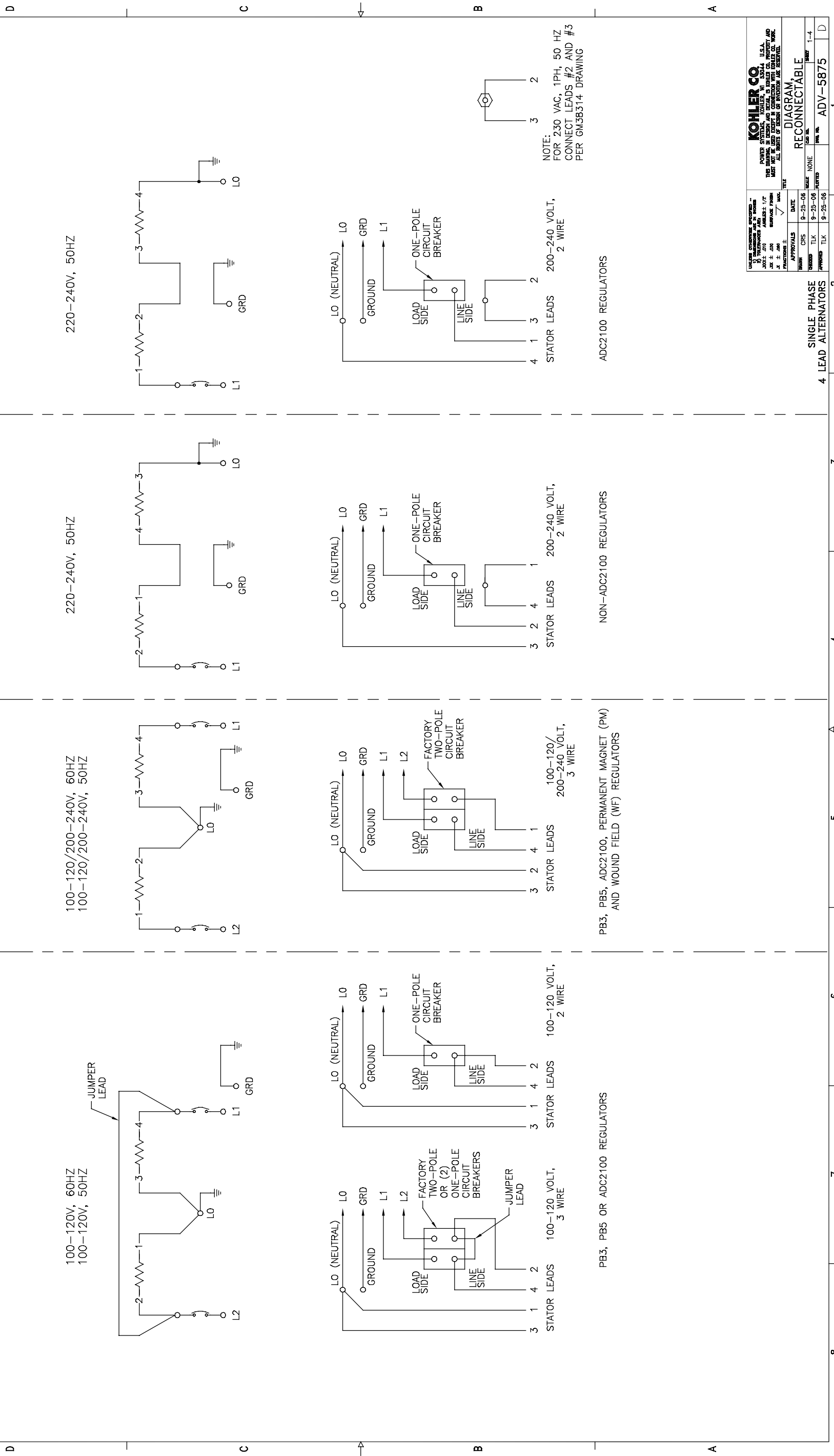
Decision-Maker® 3000 Controller



Decision-Maker® 6000 Controller

Notes

REV	DATE	REVISION	BY
H	9-24-06	THIS SHEET ADDED [77613]	CRS
J	4-30-08	SPECTRUM & SIMO VOIDED AND REMOVED; SEE SHEETS 2, 3, AND 4 [86250]	SEM
K	9-9-08	SEE SHEET 2 [86307]	SEM
L	11-19-08	SEE SHEET 3 [86648]	CRS
M	8-29-10	SEE SHEET 4 [89870]	DFS



NOTE:
FOR 230 VAC, 1PH, 50 HZ
CONNECT LEADS #2 AND #3
PER GM38314 DRAWING

UNLESS OTHERWISE SPECIFIED -		DATE	
3) TOLERANCES UNLESS NOTED	AS SHOWN	DATE	BY
ANGLE ± 1/2°	UNLESS NOTED	9-25-06	1-4
SIZE ± .005	UNLESS NOTED	9-25-06	1-4
FINISH	UNLESS NOTED	9-25-06	1-4
FACTORY ±	UNLESS NOTED	9-25-06	1-4

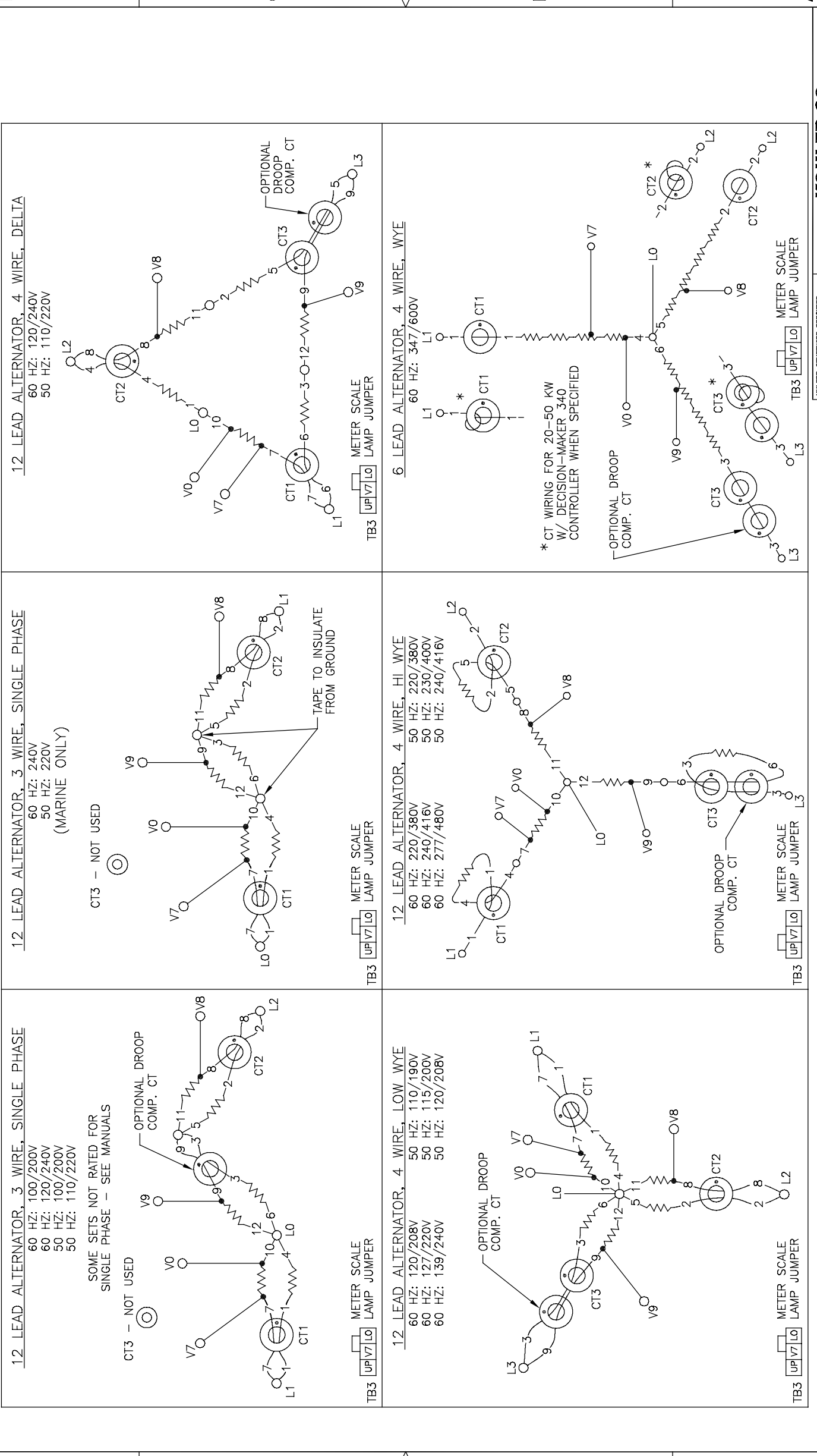
KOHLER CO.
U.S.A.
POWER SYSTEMS
10000 W. 10TH AVE. SUITE 100
DENVER, CO 80231
THIS DRAWING IS THE PROPERTY OF KOHLER CO. IT IS TO BE USED ONLY IN CONNECTION WITH THE PROPERTY AND EQUIPMENT OF KOHLER CO. ALL RIGHTS OF INVENTION ARE RESERVED.

DIAGRAM, RECONNECTABLE

SINGLE PHASE 4 LEAD ALTERNATORS

ADV-5875

REV	DATE	REVISION	BY	F
H	9-25-06	(A-1) SHEET 2 OF 4 WAS 1 OF 3 [77613]	CRS	
J	4-30-08	(A,B-2,3) 4/7, 5/8 & 6/9 CONNECTIONS MOVED TO OPPOSITE SIDE OF CT'S; SPECTRUM & SDMO VOIDED AND REMOVED; SEE SHEETS 1, 3 AND 4 [86250]	SEM	
K	9-9-08	(B-2) CT WIRING NOTE RESTORED [86307]	SEM	
L	11-19-08	SEE SHEET 3 [86648]	CRS	
M	6-29-10	SEE SHEET 4 [89870]	DFS	



UNLESS OTHERWISE SPECIFIED - DIMENSIONS ARE IN INCHES
 TOLERANCES ARE ANGLES ± 1/2°
 SURFACE FINISH SHALL BE AS SPECIFIED ON DRAWING
 X ± .000

PHASE ROTATION
 A B C
 L1 L2 L3

NOTES:
 CURRENT TRANSFORMER DOT OR "H1" TOWARD GENERATOR.
 CURRENT TRANSFORMERS NOT USED ON ALL SETS.

3 PHASE FRII ALTERNATORS, 20-60KW WOUND EXCITER FIELD ALTERNATORS, AND 10-20KW SMALL STANDBY

DIAGRAM, RECONNECTABLE

APPROVALS

DATE	DATE
7-28-92	6-23-99
7-28-92	6-23-99

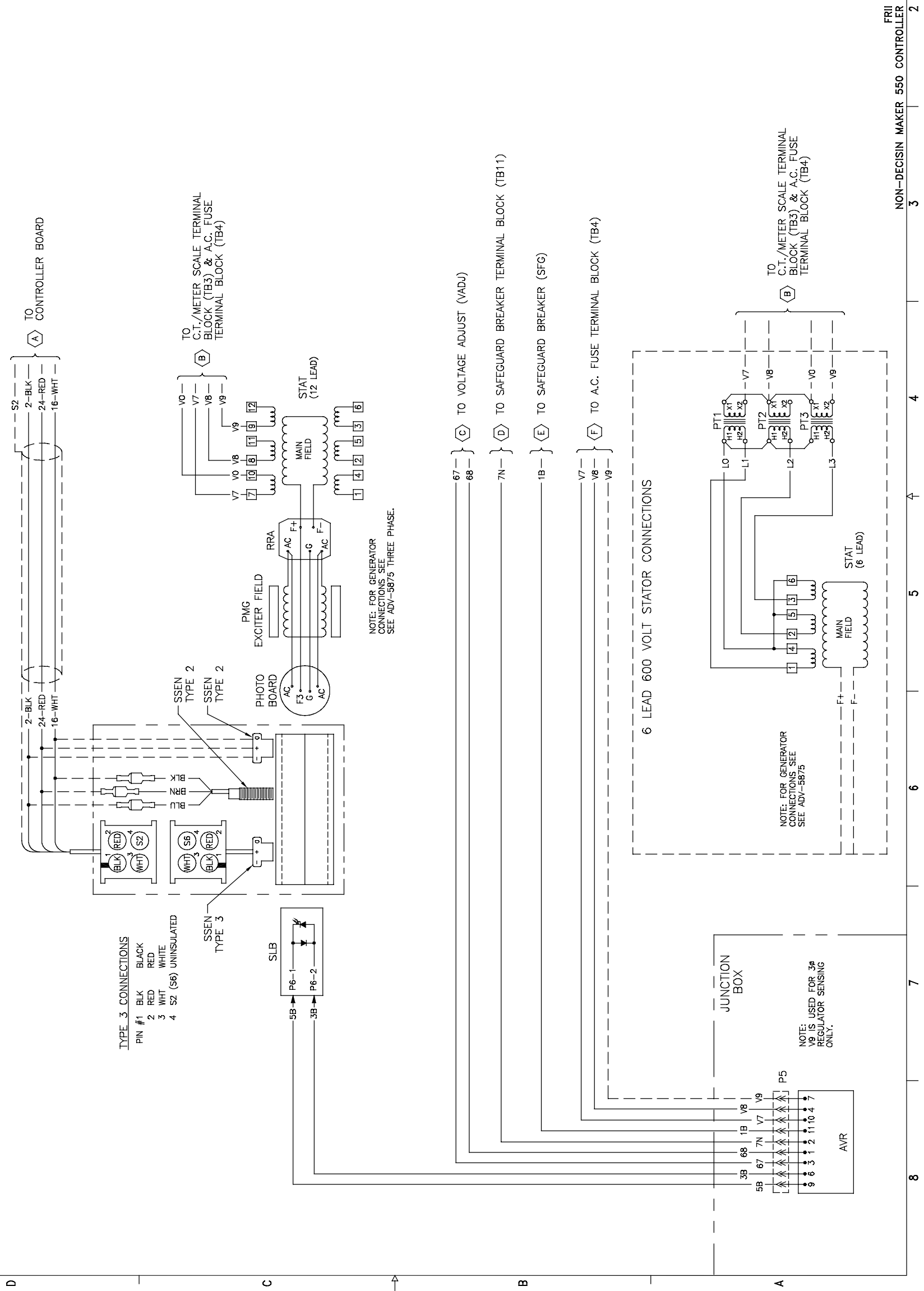
SCALE NONE
PLOTTED 2-4

ADV-5875

REV	DATE	REVISION	BY
-	5-19-04	NEW DRAWING [71813]	DPS
A	10-27-04	(CD-6) SSEN TYPE 2 ADDED [75348]	DPS
B	4-25-08	(CD-67) SSEN TYPE 3 ADDED; SDMG & SPECTRUM VOIDED AND REMOVED [B4202]	SEM
C	11-19-08	(A-5) 6 LEAD 600 VOLT STATOR DETAIL ADDED [86646]	CRS

LEGEND

- AVR - AUTOMATIC VOLTAGE REGULATOR
- PMG - PERMANENT MAGNET GENERATOR
- P(#)- CONNECTOR
- RRA - ROTATING RECTIFIER ASSEMBLY
- SLB - STATIONARY LED BOARD
- SSEN - SPEED SENSOR
- STAT - STATOR

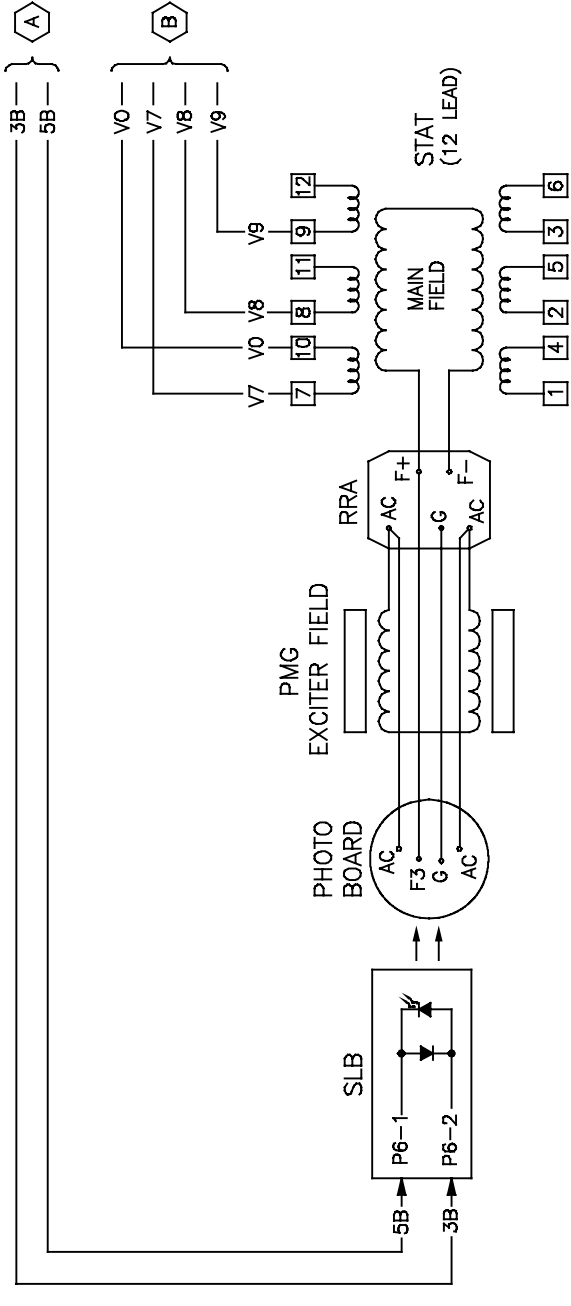


UNLESS OTHERWISE SPECIFIED -	DATE	SCALE	REV. NO.	REV. DATE
1) DIMENSIONS IN INCHES	DATE	SCALE	REV. NO.	REV. DATE
2) DIMENSIONS IN MILLIMETERS	DATE	SCALE	REV. NO.	REV. DATE
3) DIMENSIONS IN MILLIMETERS	DATE	SCALE	REV. NO.	REV. DATE
4) DIMENSIONS IN MILLIMETERS	DATE	SCALE	REV. NO.	REV. DATE
5) DIMENSIONS IN MILLIMETERS	DATE	SCALE	REV. NO.	REV. DATE
6) DIMENSIONS IN MILLIMETERS	DATE	SCALE	REV. NO.	REV. DATE
7) DIMENSIONS IN MILLIMETERS	DATE	SCALE	REV. NO.	REV. DATE
8) DIMENSIONS IN MILLIMETERS	DATE	SCALE	REV. NO.	REV. DATE
9) DIMENSIONS IN MILLIMETERS	DATE	SCALE	REV. NO.	REV. DATE
10) DIMENSIONS IN MILLIMETERS	DATE	SCALE	REV. NO.	REV. DATE
11) DIMENSIONS IN MILLIMETERS	DATE	SCALE	REV. NO.	REV. DATE
12) DIMENSIONS IN MILLIMETERS	DATE	SCALE	REV. NO.	REV. DATE
13) DIMENSIONS IN MILLIMETERS	DATE	SCALE	REV. NO.	REV. DATE
14) DIMENSIONS IN MILLIMETERS	DATE	SCALE	REV. NO.	REV. DATE
15) DIMENSIONS IN MILLIMETERS	DATE	SCALE	REV. NO.	REV. DATE
16) DIMENSIONS IN MILLIMETERS	DATE	SCALE	REV. NO.	REV. DATE
17) DIMENSIONS IN MILLIMETERS	DATE	SCALE	REV. NO.	REV. DATE
18) DIMENSIONS IN MILLIMETERS	DATE	SCALE	REV. NO.	REV. DATE
19) DIMENSIONS IN MILLIMETERS	DATE	SCALE	REV. NO.	REV. DATE
20) DIMENSIONS IN MILLIMETERS	DATE	SCALE	REV. NO.	REV. DATE
21) DIMENSIONS IN MILLIMETERS	DATE	SCALE	REV. NO.	REV. DATE
22) DIMENSIONS IN MILLIMETERS	DATE	SCALE	REV. NO.	REV. DATE
23) DIMENSIONS IN MILLIMETERS	DATE	SCALE	REV. NO.	REV. DATE
24) DIMENSIONS IN MILLIMETERS	DATE	SCALE	REV. NO.	REV. DATE
25) DIMENSIONS IN MILLIMETERS	DATE	SCALE	REV. NO.	REV. DATE
26) DIMENSIONS IN MILLIMETERS	DATE	SCALE	REV. NO.	REV. DATE
27) DIMENSIONS IN MILLIMETERS	DATE	SCALE	REV. NO.	REV. DATE
28) DIMENSIONS IN MILLIMETERS	DATE	SCALE	REV. NO.	REV. DATE
29) DIMENSIONS IN MILLIMETERS	DATE	SCALE	REV. NO.	REV. DATE
30) DIMENSIONS IN MILLIMETERS	DATE	SCALE	REV. NO.	REV. DATE
31) DIMENSIONS IN MILLIMETERS	DATE	SCALE	REV. NO.	REV. DATE
32) DIMENSIONS IN MILLIMETERS	DATE	SCALE	REV. NO.	REV. DATE
33) DIMENSIONS IN MILLIMETERS	DATE	SCALE	REV. NO.	REV. DATE
34) DIMENSIONS IN MILLIMETERS	DATE	SCALE	REV. NO.	REV. DATE
35) DIMENSIONS IN MILLIMETERS	DATE	SCALE	REV. NO.	REV. DATE
36) DIMENSIONS IN MILLIMETERS	DATE	SCALE	REV. NO.	REV. DATE
37) DIMENSIONS IN MILLIMETERS	DATE	SCALE	REV. NO.	REV. DATE
38) DIMENSIONS IN MILLIMETERS	DATE	SCALE	REV. NO.	REV. DATE
39) DIMENSIONS IN MILLIMETERS	DATE	SCALE	REV. NO.	REV. DATE
40) DIMENSIONS IN MILLIMETERS	DATE	SCALE	REV. NO.	REV. DATE
41) DIMENSIONS IN MILLIMETERS	DATE	SCALE	REV. NO.	REV. DATE
42) DIMENSIONS IN MILLIMETERS	DATE	SCALE	REV. NO.	REV. DATE
43) DIMENSIONS IN MILLIMETERS	DATE	SCALE	REV. NO.	REV. DATE
44) DIMENSIONS IN MILLIMETERS	DATE	SCALE	REV. NO.	REV. DATE
45) DIMENSIONS IN MILLIMETERS	DATE	SCALE	REV. NO.	REV. DATE
46) DIMENSIONS IN MILLIMETERS	DATE	SCALE	REV. NO.	REV. DATE
47) DIMENSIONS IN MILLIMETERS	DATE	SCALE	REV. NO.	REV. DATE
48) DIMENSIONS IN MILLIMETERS	DATE	SCALE	REV. NO.	REV. DATE
49) DIMENSIONS IN MILLIMETERS	DATE	SCALE	REV. NO.	REV. DATE
50) DIMENSIONS IN MILLIMETERS	DATE	SCALE	REV. NO.	REV. DATE
51) DIMENSIONS IN MILLIMETERS	DATE	SCALE	REV. NO.	REV. DATE
52) DIMENSIONS IN MILLIMETERS	DATE	SCALE	REV. NO.	REV. DATE
53) DIMENSIONS IN MILLIMETERS	DATE	SCALE	REV. NO.	REV. DATE
54) DIMENSIONS IN MILLIMETERS	DATE	SCALE	REV. NO.	REV. DATE
55) DIMENSIONS IN MILLIMETERS	DATE	SCALE	REV. NO.	REV. DATE
56) DIMENSIONS IN MILLIMETERS	DATE	SCALE	REV. NO.	REV. DATE
57) DIMENSIONS IN MILLIMETERS	DATE	SCALE	REV. NO.	REV. DATE
58) DIMENSIONS IN MILLIMETERS	DATE	SCALE	REV. NO.	REV. DATE
59) DIMENSIONS IN MILLIMETERS	DATE	SCALE	REV. NO.	REV. DATE
60) DIMENSIONS IN MILLIMETERS	DATE	SCALE	REV. NO.	REV. DATE
61) DIMENSIONS IN MILLIMETERS	DATE	SCALE	REV. NO.	REV. DATE
62) DIMENSIONS IN MILLIMETERS	DATE	SCALE	REV. NO.	REV. DATE
63) DIMENSIONS IN MILLIMETERS	DATE	SCALE	REV. NO.	REV. DATE
64) DIMENSIONS IN MILLIMETERS	DATE	SCALE	REV. NO.	REV. DATE
65) DIMENSIONS IN MILLIMETERS	DATE	SCALE	REV. NO.	REV. DATE
66) DIMENSIONS IN MILLIMETERS	DATE	SCALE	REV. NO.	REV. DATE
67) DIMENSIONS IN MILLIMETERS	DATE	SCALE	REV. NO.	REV. DATE
68) DIMENSIONS IN MILLIMETERS	DATE	SCALE	REV. NO.	REV. DATE
69) DIMENSIONS IN MILLIMETERS	DATE	SCALE	REV. NO.	REV. DATE
70) DIMENSIONS IN MILLIMETERS	DATE	SCALE	REV. NO.	REV. DATE
71) DIMENSIONS IN MILLIMETERS	DATE	SCALE	REV. NO.	REV. DATE
72) DIMENSIONS IN MILLIMETERS	DATE	SCALE	REV. NO.	REV. DATE
73) DIMENSIONS IN MILLIMETERS	DATE	SCALE	REV. NO.	REV. DATE
74) DIMENSIONS IN MILLIMETERS	DATE	SCALE	REV. NO.	REV. DATE
75) DIMENSIONS IN MILLIMETERS	DATE	SCALE	REV. NO.	REV. DATE
76) DIMENSIONS IN MILLIMETERS	DATE	SCALE	REV. NO.	REV. DATE
77) DIMENSIONS IN MILLIMETERS	DATE	SCALE	REV. NO.	REV. DATE
78) DIMENSIONS IN MILLIMETERS	DATE	SCALE	REV. NO.	REV. DATE
79) DIMENSIONS IN MILLIMETERS	DATE	SCALE	REV. NO.	REV. DATE
80) DIMENSIONS IN MILLIMETERS	DATE	SCALE	REV. NO.	REV. DATE
81) DIMENSIONS IN MILLIMETERS	DATE	SCALE	REV. NO.	REV. DATE
82) DIMENSIONS IN MILLIMETERS	DATE	SCALE	REV. NO.	REV. DATE
83) DIMENSIONS IN MILLIMETERS	DATE	SCALE	REV. NO.	REV. DATE
84) DIMENSIONS IN MILLIMETERS	DATE	SCALE	REV. NO.	REV. DATE
85) DIMENSIONS IN MILLIMETERS	DATE	SCALE	REV. NO.	REV. DATE
86) DIMENSIONS IN MILLIMETERS	DATE	SCALE	REV. NO.	REV. DATE
87) DIMENSIONS IN MILLIMETERS	DATE	SCALE	REV. NO.	REV. DATE
88) DIMENSIONS IN MILLIMETERS	DATE	SCALE	REV. NO.	REV. DATE
89) DIMENSIONS IN MILLIMETERS	DATE	SCALE	REV. NO.	REV. DATE
90) DIMENSIONS IN MILLIMETERS	DATE	SCALE	REV. NO.	REV. DATE
91) DIMENSIONS IN MILLIMETERS	DATE	SCALE	REV. NO.	REV. DATE
92) DIMENSIONS IN MILLIMETERS	DATE	SCALE	REV. NO.	REV. DATE
93) DIMENSIONS IN MILLIMETERS	DATE	SCALE	REV. NO.	REV. DATE
94) DIMENSIONS IN MILLIMETERS	DATE	SCALE	REV. NO.	REV. DATE
95) DIMENSIONS IN MILLIMETERS	DATE	SCALE	REV. NO.	REV. DATE
96) DIMENSIONS IN MILLIMETERS	DATE	SCALE	REV. NO.	REV. DATE
97) DIMENSIONS IN MILLIMETERS	DATE	SCALE	REV. NO.	REV. DATE
98) DIMENSIONS IN MILLIMETERS	DATE	SCALE	REV. NO.	REV. DATE
99) DIMENSIONS IN MILLIMETERS	DATE	SCALE	REV. NO.	REV. DATE
100) DIMENSIONS IN MILLIMETERS	DATE	SCALE	REV. NO.	REV. DATE

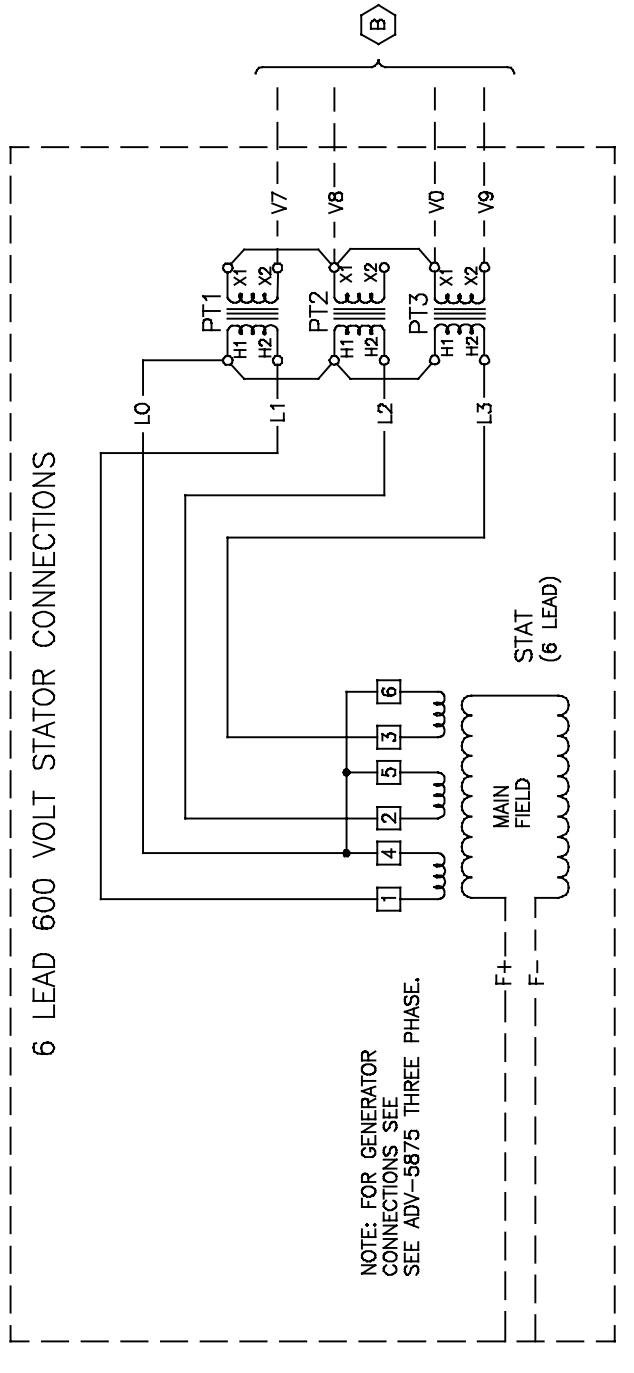
REV	DATE	REVISION	BY	CHK
-	5-19-04	NEW DRAWING [71832]		
A	11-19-08 (A-3)	6 LEAD 600V STATOR DETAIL ADDED [86648]	DFS	
B	8-3-11 (A-2)	FRII & DECISION-MAKER 550 NOTE REMOVED [92086]	CRS	

LEGEND

- PMG -- PERMANENT MAGNET GENERATOR
- RRA -- ROTATING RECTIFIER ASSEMBLY
- SLB -- STATIONARY LED BOARD
- STAT -- STATOR



NOTE: FOR GENERATOR CONNECTIONS SEE ADV-5875 THREE PHASE.

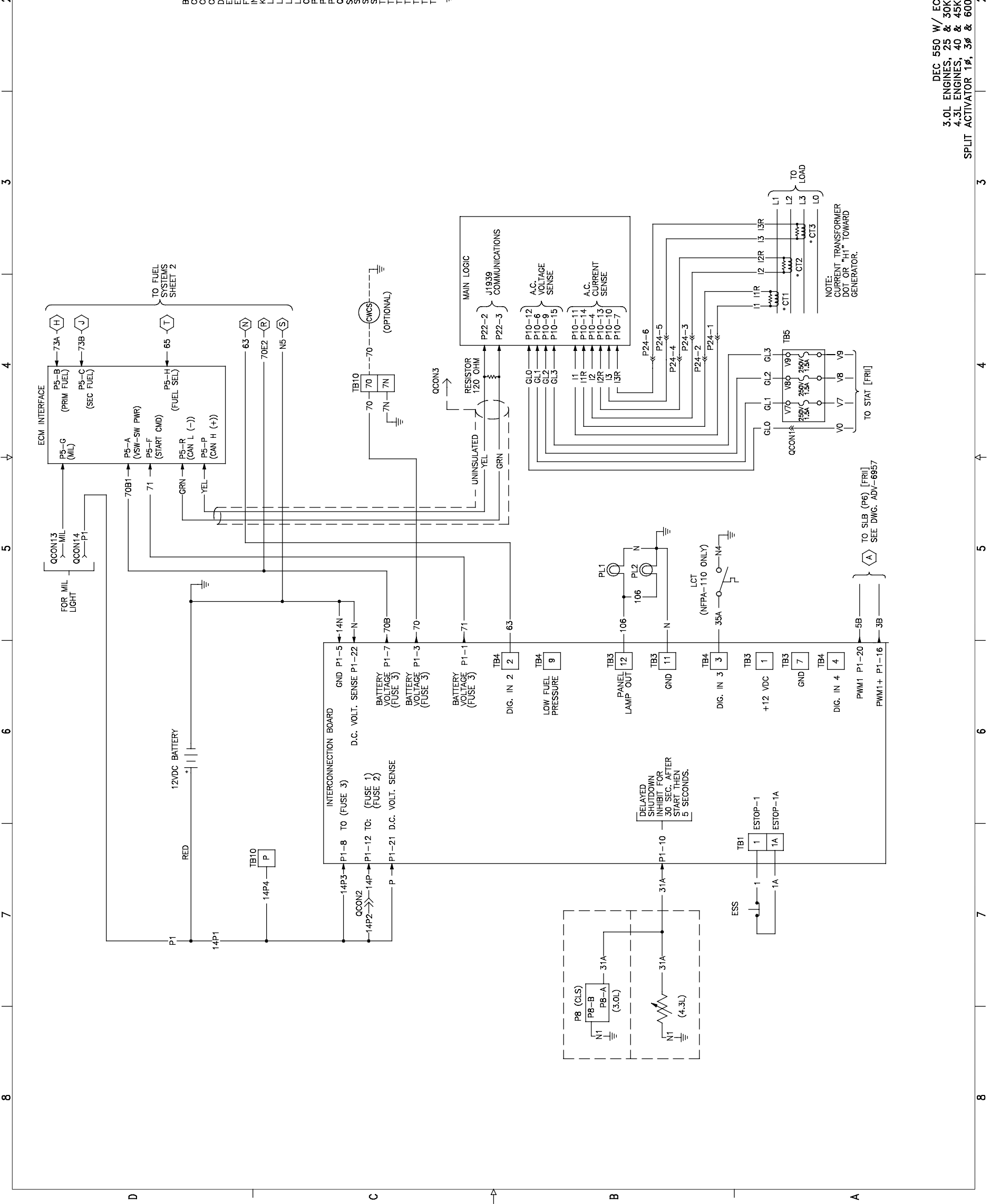


NOTE: FOR GENERATOR CONNECTIONS SEE ADV-5875 THREE PHASE.

UNLESS OTHERWISE SPECIFIED - 1) DIMENSIONS ARE IN INCHES 2) TOLERANCES ARE: FRACTIONS ± .015 DECIMALS ± .005 ANGLES ± 1/2° SURFACE FINISH AS SHOWN FRACTIONS ± .015 DECIMALS ± .005		POWER SYSTEMS, KOHLER, WI, 83044 U.S.A. THIS DRAWING IS THE PROPERTY OF KOHLER CO. NO PART HEREOF IS TO BE REPRODUCED OR TRANSMITTED IN ANY FORM OR BY ANY MEANS WITHOUT THE WRITTEN PERMISSION OF KOHLER CO. ALL RIGHTS OF DESIGN OR INVENTION ARE RESERVED.	
APPROVALS		DATE	SCALE
DESIGNED	5-19-04	JS	1-1
CHECKED	5-25-04	JS	
APPROVED	5-25-04		
DRAWN		DATE	SCALE
ADV-6957			

REV	DATE	REVISION	BY
B	10-14-08	SEE SHEET 2 [86038]	DPS
C	11-5-09	(B-5) (NFA-110 ONLY) ADDED TO LCT (B-7,-8) PB (CLS)	DPS
D	1-5-10	SEE SHEET 2 [86007]	DPS
E	4-22-10	(A-1) SHEET 1-5 WAS 1-3 [86872]	CRS

- LEGEND**
- BCA -- BATTERY CHARGING ALTERNATOR
 - CLS -- COOLANT LEVEL SENDER
 - CT(#)-- CURRENT TRANSFORMER
 - CWCS -- CITY WATER COOLING SOLENOID
 - D(#)-- DIODE
 - ECM -- ELECTRONIC CONTROL MODULE (E--CONTROLS)
 - ESS -- EMERGENCY STOP SWITCH
 - FV(#)-- FUEL VALVE
 - INSUL(#)-- INSULINK
 - K20 -- CRANK RELAY
 - LCT -- LOW COOLANT TEMPERATURE SWITCH
 - LFP(#)-- LOW FUEL PRESSURE SWITCH
 - LPPS -- LOW FUEL PRESSURE AUTO SHUTDOWN SWITCH
 - LP -- LIQUID PROPANE
 - OPS -- OIL PRESSURE SENDER
 - P(#)-- PLUG
 - PL(#)-- PANEL LAMP
 - PMG -- PERMANENT MAGNET GENERATOR
 - QCON(#)-- QUICK CONNECT TERMINAL
 - STAT -- STATOR
 - SW -- SWITCH
 - SS -- STARTER SOLENOID
 - SW -- STARTER MOTOR
 - SW -- SWITCH
 - TB1 -- INTERCONNECTION BOARD TERMINAL BLOCK
 - TB2 -- A/D TERMINAL BLOCK
 - TB3 -- OUTPUT TERMINAL BLOCK
 - TB4 -- DIGITAL INPUT TERMINAL BLOCK
 - TB5 -- CONTROLLER A.C. FUSE BLOCK
 - TB10 -- ACCESSORY TERMINAL BLOCK
 - TB12 -- JUNCTION BOX TERMINAL BLOCK
 - ≡ -- ENGINE BLOCK GROUND



APPROVALS	DATE	SCALE	NO.	SHEET
DESIGN	5-22-08			1-5
CHECKED	5-22-08			
APPROVED	5-22-08			

DEC 550 W/ ECM
 3.0L ENGINES, 25 & 30KW
 4.3L ENGINES, 40 & 45KW
 SPLIT ACTIVATOR 1φ, 3φ & 600V

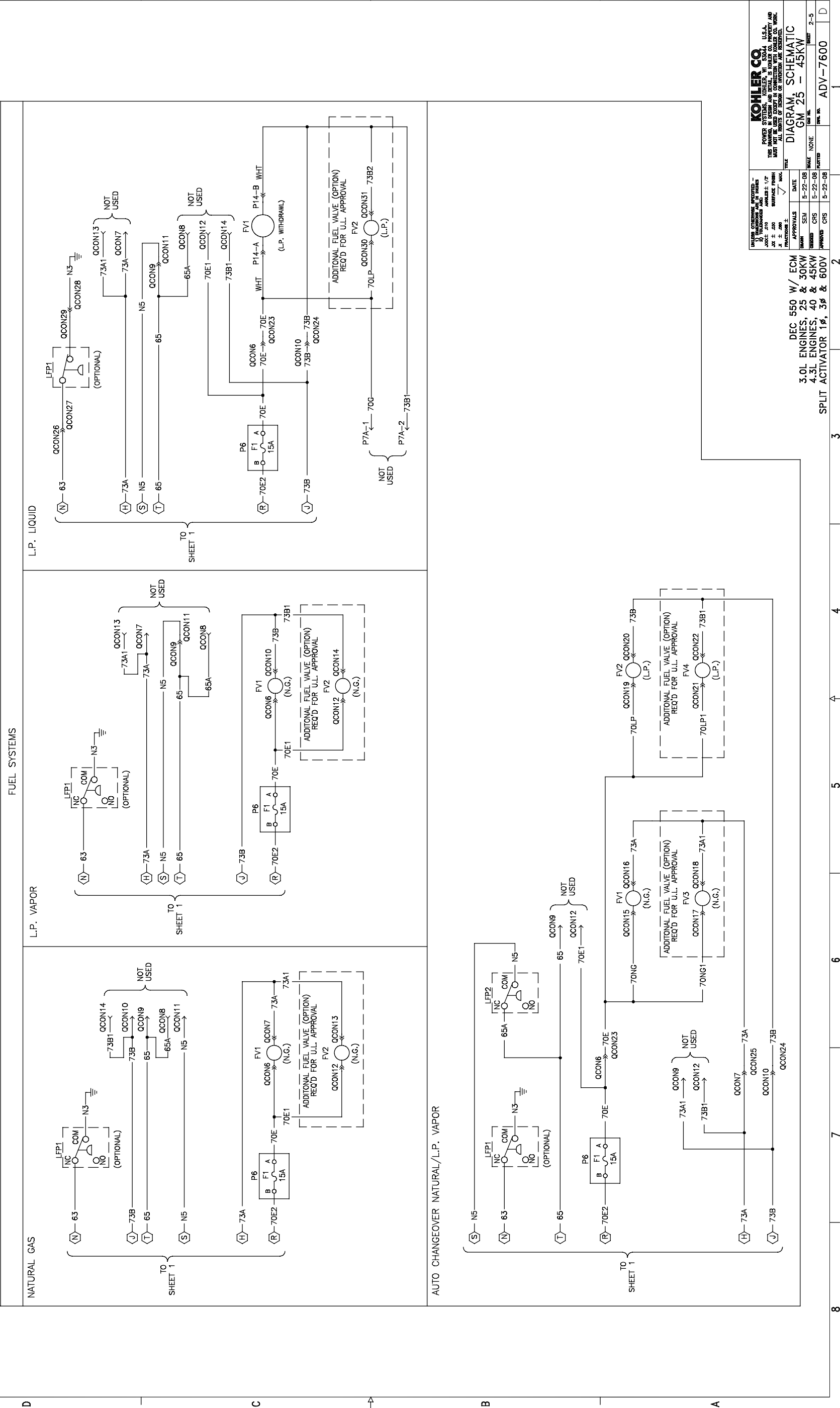
UNLESS OTHERWISE SPECIFIED -
 1) DIMENSIONS ARE IN INCHES
 2) TOLERANCES ARE:
 FRACTIONS ± .010
 DECIMALS ± .005
 ANGLES ± 1/2°
 HOLE ± .010
 SURFACE FINISH
 ALL DIMENSIONS OF TOLERANCE UNLESS OTHERWISE SPECIFIED.

KOHLER CO. U.S.A.
 POWER SYSTEMS AND DIESEL ENGINES CO.
 THIS DRAWING IS THE PROPERTY OF KOHLER CO. IT IS TO BE KEPT IN CONFIDENTIALITY AND NOT BE LOANED, REPRODUCED, COPIED, OR IN ANY MANNER DISSEMINATED WITHOUT THE WRITTEN PERMISSION OF KOHLER CO.

DIAGRAM: SCHEMATIC
GM 25 - 45KW

ADV-7600

REV	DATE	REVISION	BY
C	11-5-09	SEE SHEET 1 [88610-3]	DPS
D	1-5-10	[88610-3] THRU -4] L.P. LIQUID WIRING REVISED TO REFLECT CHANGES MADE TO WIRING DIAGRAM & L.P. LIQUID EXTENSION HARNESS [86007]	DPS
E	4-22-10	(A-1) SHEET 2-5 WAS 2-3 [89672]	CRS



APPROVALS	DATE	SCALE	NO. IN SET	SHEET
DESIGNED	SEM	5-22-08		2-5
DRAWN	CRS	5-22-08		
APPROVED	CRS	5-22-08		

UNLESS OTHERWISE SPECIFIED -
 1) DIMENSIONS ARE IN INCHES
 2) DIMENSIONS ARE TO CENTER UNLESS NOTED OTHERWISE
 3) DIMENSIONS ARE TO CENTER UNLESS NOTED OTHERWISE
 4) DIMENSIONS ARE TO CENTER UNLESS NOTED OTHERWISE
 5) DIMENSIONS ARE TO CENTER UNLESS NOTED OTHERWISE

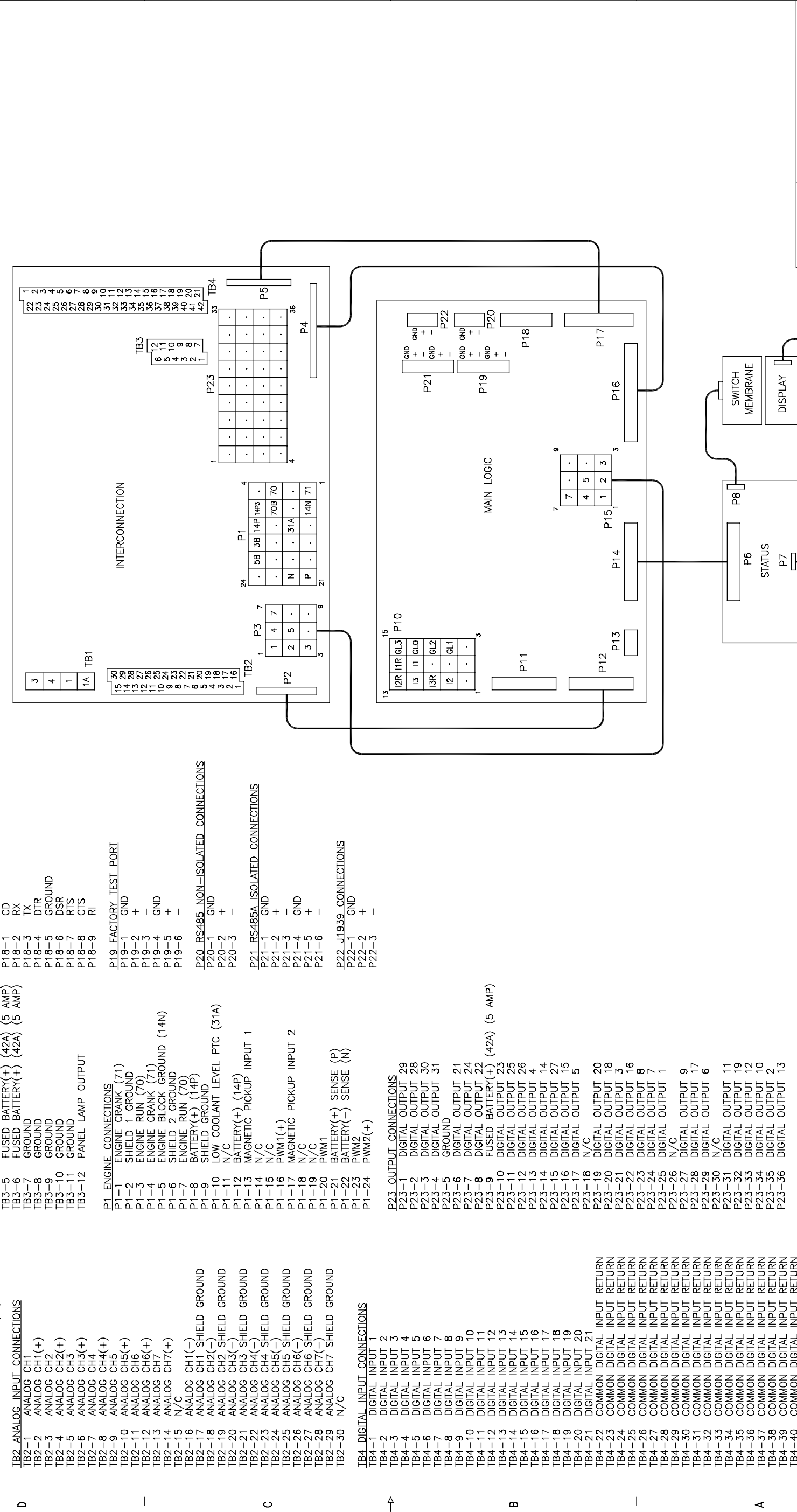
KOHLER CO.
 POWER SYSTEMS AND CONTROLS DIVISION
 601 N. ZEEB ROAD
 MILWAUKEE, WI 53214 U.S.A.
 THIS DRAWING IS THE PROPERTY OF KOHLER CO. IT IS TO BE USED ONLY FOR THE PROJECT AND NOT BE LOANED, REPRODUCED, COPIED, OR IN ANY MANNER USED FOR ANY OTHER PROJECT.
 ALL RIGHTS OF DESIGN OR INVENTION ARE RESERVED.

DEC 550 W/ ECM
 3.0L ENGINES, 25 & 30KW
 4.3L ENGINES, 40 & 45KW
 SPLIT ACTIVATOR 1 ϕ , 3 ϕ & 600V

DIAGRAM, SCHEMATIC
 GM 25 - 45KW

ADV-7600

REV	DATE	REVISION	BY
A	6-30-09	THIS SHEET ADDED & INFO MOVED TO THIS SHEET FROM SHEET 2 [89146]	DPS
B	10-14-09	SEE SHEET 2 [86038]	DPS
C	11-5-09	SEE SHEET 2 [86610-3]	DPS
D	1-5-10	SEE SHEET 2 [86007]	DPS
E	4-22-10	(A-1) SHEET 3-5 WAS 3-3 [86672]	DPS



UNLESS OTHERWISE SPECIFIED -
 1) DIMENSIONS ARE IN INCHES
 2) DIMENSIONS ARE IN MILLIMETERS
 3) TOLERANCES UNLESS OTHERWISE SPECIFIED -
 FRACTIONS ± .005
 DECIMALS ± .005
 ANGLES ± 1/2°
 SURFACE FINISH
 UNLESS OTHERWISE SPECIFIED -
 ALL SURFACES TO BE FINISHED TO A 125 RA SURFACE FINISH

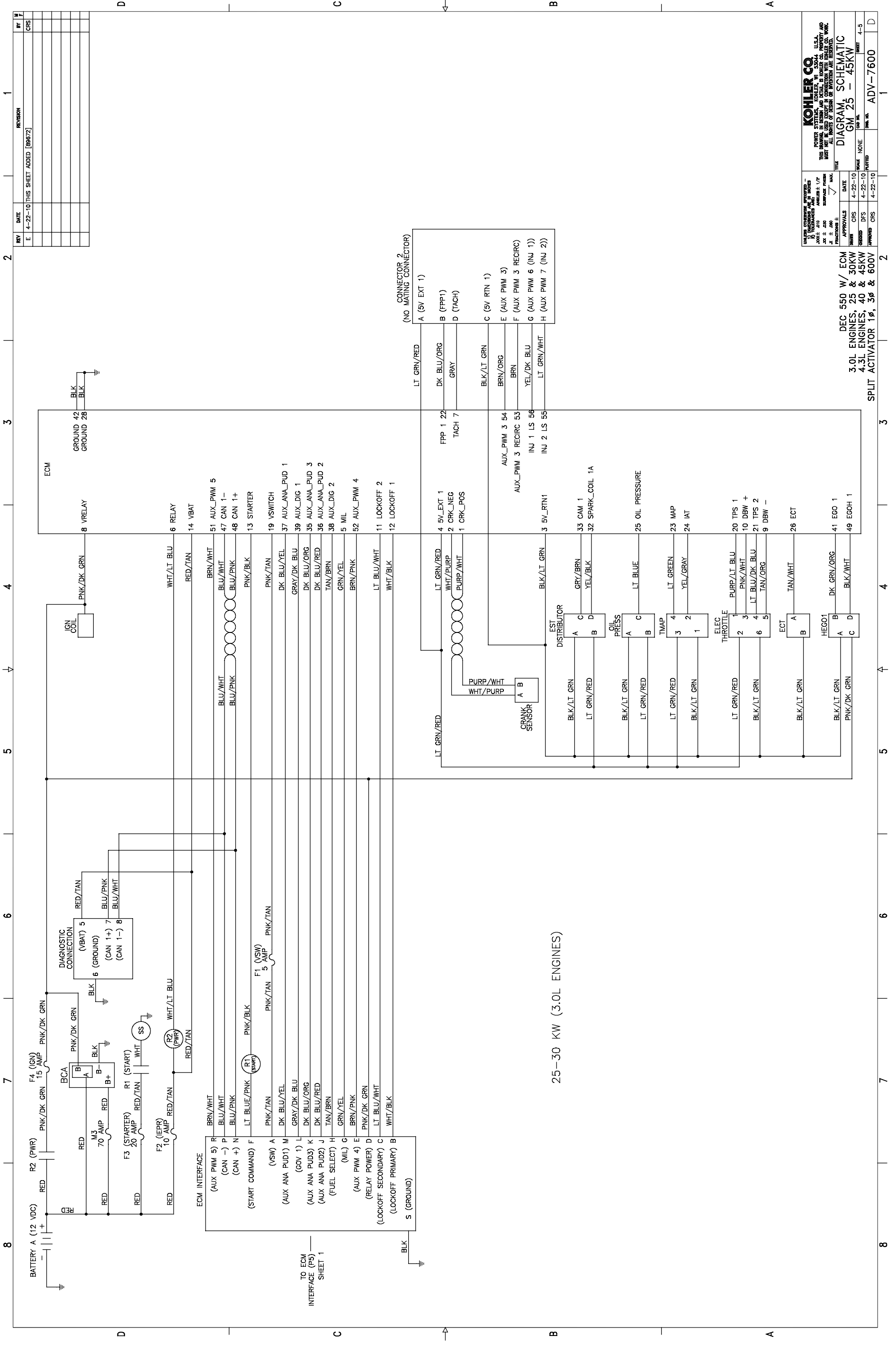
APPROVALS

DATE	DATE	DATE	DATE
DESIGNED	7-1-09	SCALE	NONE
DRAWN	7-1-09	DATE	7-1-09
CHECKED	7-1-09	BY	ADV-7600
APPROVED	7-1-09	SHEET	3-5

FILE: **DIAGRAM SCHEMATIC GM 25 - 45KW**

KOHLER CO. U.S.A.
 POWER SYSTEMS DIVISION
 12000 W. BIRCHMOUNT AVENUE
 MOBILE, AL 36688-0001
 THIS DRAWING IS THE PROPERTY OF KOHLER CO. IT IS TO BE USED ONLY IN CONNECTION WITH KOHLER CO. WORK.
 ALL RIGHTS OF DESIGN OR INVENTION ARE RESERVED.

DEC 550 W/ ECM
 3.0L ENGINES, 25 & 30KW
 4.3L ENGINES, 40 & 45KW
 SPLIT ACTIVATOR 1φ, 3φ & 600V



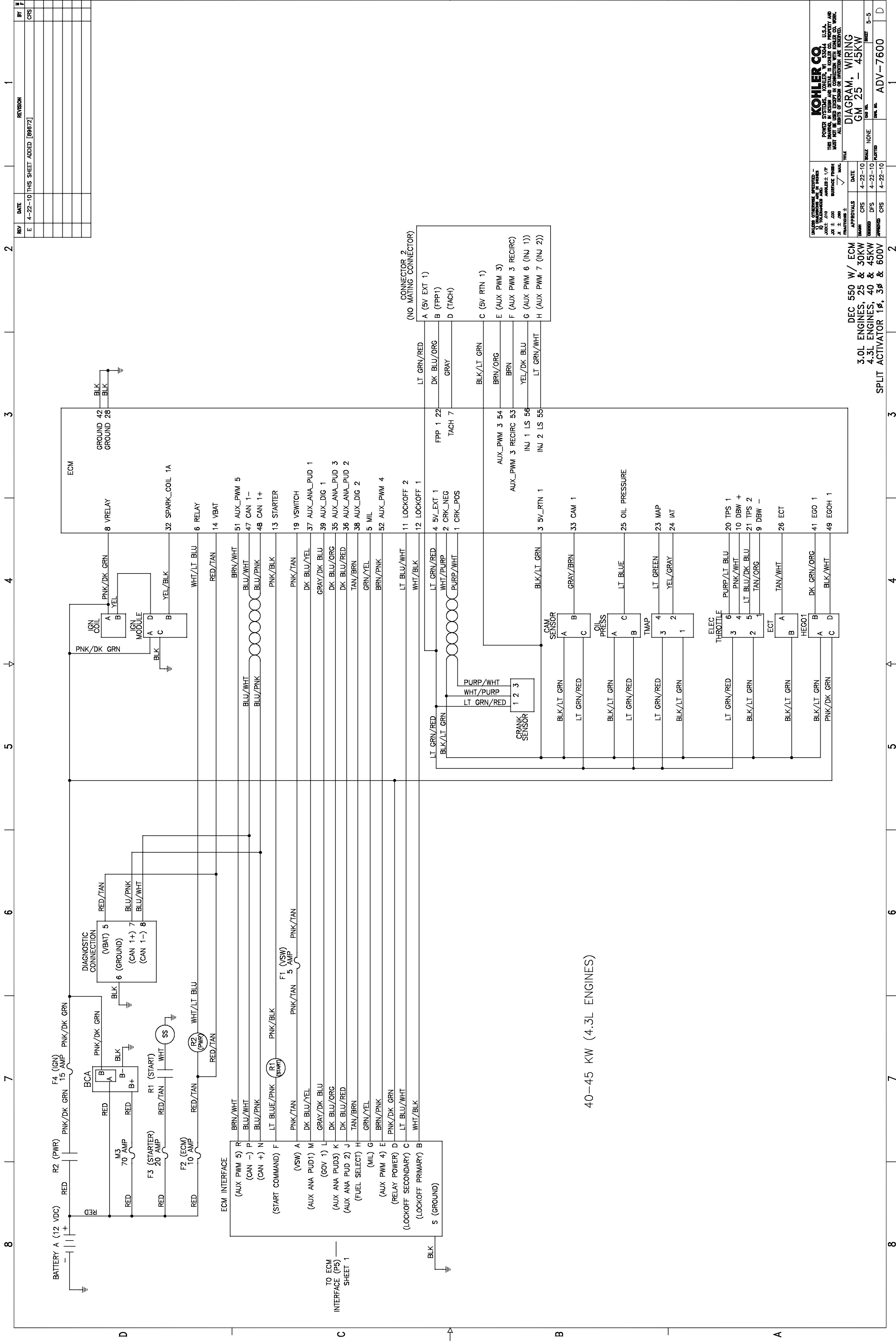
REV	DATE	REVISION	BY
E	4-22-10	THIS SHEET ADDED [88672]	CRS

UNLESS OTHERWISE SPECIFIED -	APPROVALS	DATE	SCALE	SHEET
DESIGNED BY: JACOB E. ZIG	DESIGN: CRS	4-22-10	NONE	4-5
CHECKED BY: JACOB E. ZIG	DESIGN: DFS	4-22-10	NONE	4-5
APPROVED BY: JACOB E. ZIG	DESIGN: CRS	4-22-10	NONE	4-5

DEC 550 W / ECM
 3.0L ENGINES, 25 & 30KW
 4.3L ENGINES, 40 & 45KW
 SPLIT ACTIVATOR 1st, 3rd & 600V

KOHLER CO.
 U.S.A.
 POWER GENERATION DIVISION
 1200 N. MILWAUKEE AVENUE
 MILWAUKEE, WI 53217
 THIS DRAWING IS THE PROPERTY OF KOHLER CO. AND
 MUST BE USED ONLY IN CONNECTION WITH KOHLER CO. WORK.
 ALL RIGHTS OF DESIGN OR INVENTION ARE RESERVED.

DIAGRAM, SCHEMATIC
 GM 25 - 45KW



40-45 KW (4.3L ENGINES)

REV	DATE	REVISION	BY
E	4-22-10	THIS SHEET ADDED [89872]	CRS

UNLESS OTHERWISE SPECIFIED -		DATE	
3) TOLERANCES UNLESS NOTED	DATE	DATE	DATE
± .000	CRS	4-22-10	5-5
± .005	DPS	4-22-10	
± .010	APPROVED	CRS	4-22-10

KOHLER CO. U.S.A.
 POWER SYSTEMS AND CONTROLS DIVISION
 THIS DRAWING IS THE PROPERTY OF KOHLER CO. IT IS TO BE USED ONLY IN CONNECTION WITH KOHLER CO. WORK.
 ALL RIGHTS OF DESIGN OR INVENTION ARE RESERVED.
DIAGRAM, WIRING
GM 25 - 45KW
 SCALE: NONE
 SHEET NO. ADV-7600
 PART NO. 5-5

DEC 550 W/ ECM
 3.0L ENGINES, 25 & 30KW
 4.3L ENGINES, 40 & 45KW
 SPLIT ACTIVATOR 1 ϕ , 3 ϕ & 600V

KOHLER CO.
POWER SYSTEMS DIVISION
1000 W. GOLF COURSE ROAD
MILWAUKEE, WI 53219
TEL: 414-789-6000 FAX: 414-789-6001
WWW.KOHLER.COM
E-MAIL: SALES@KOHLER.COM

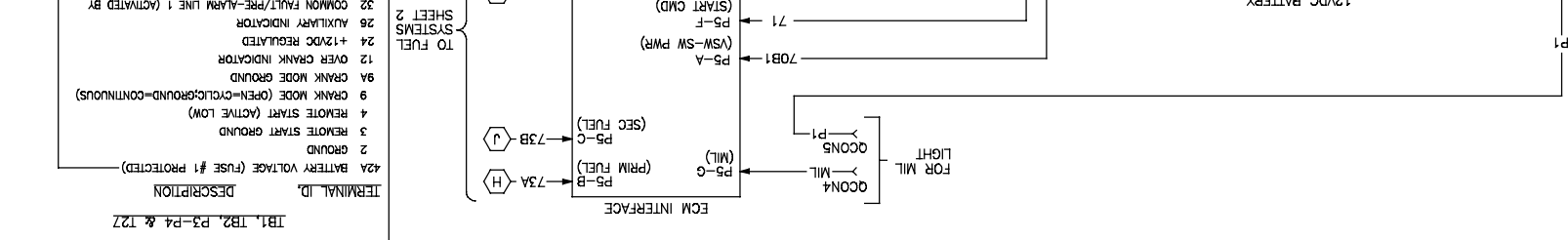
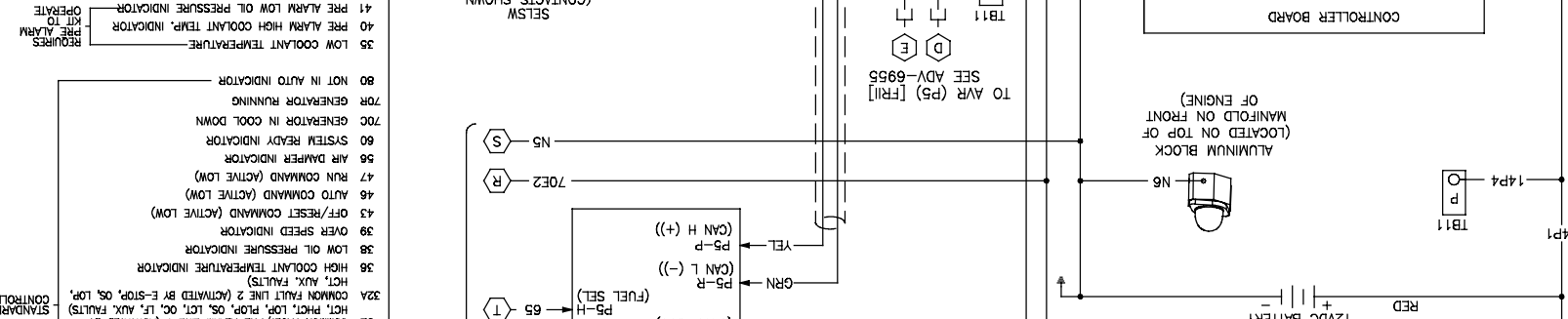
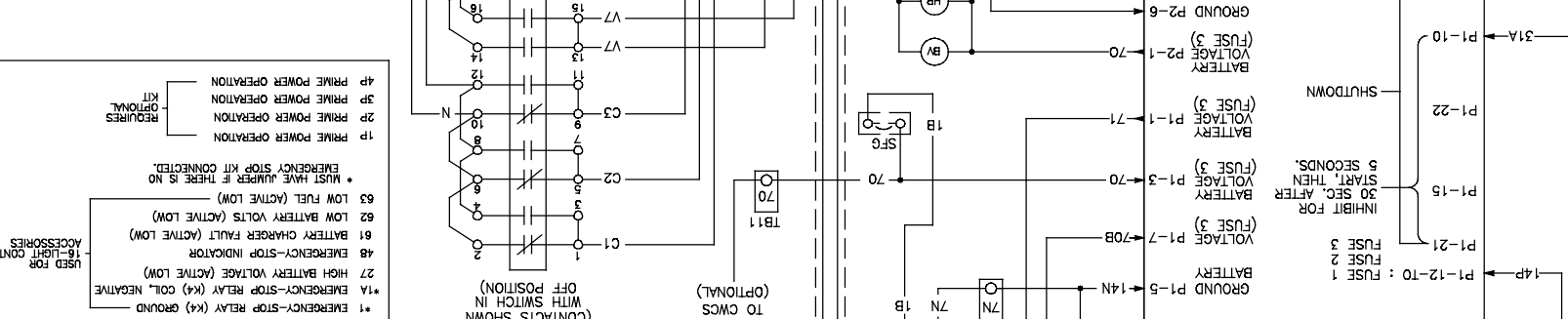
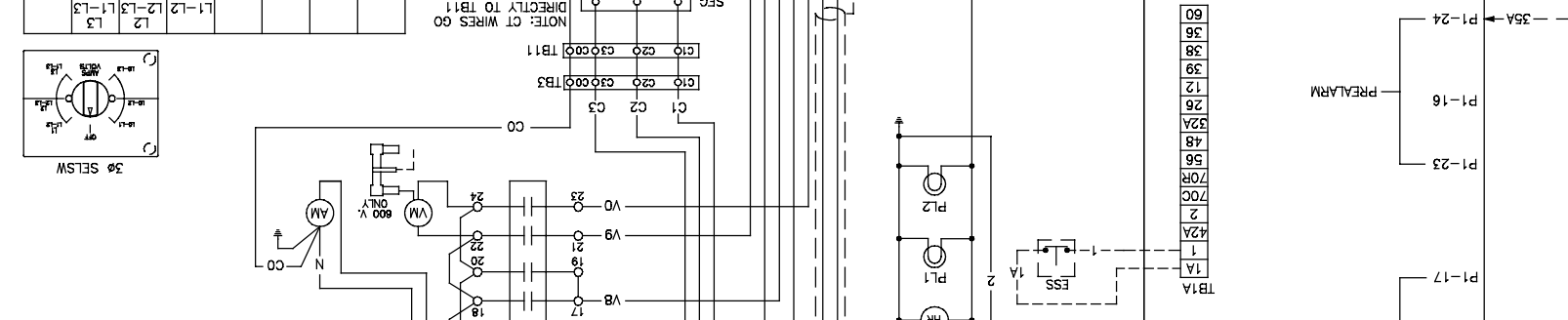
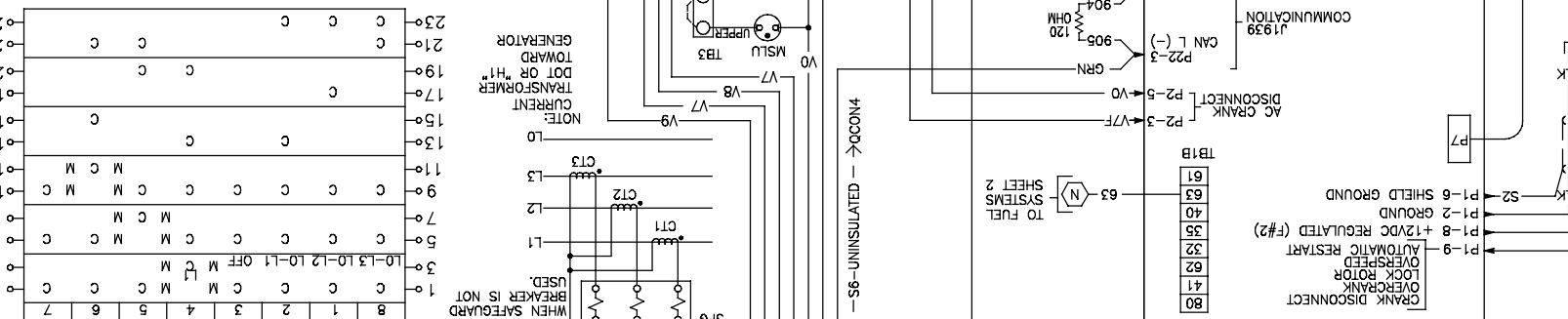
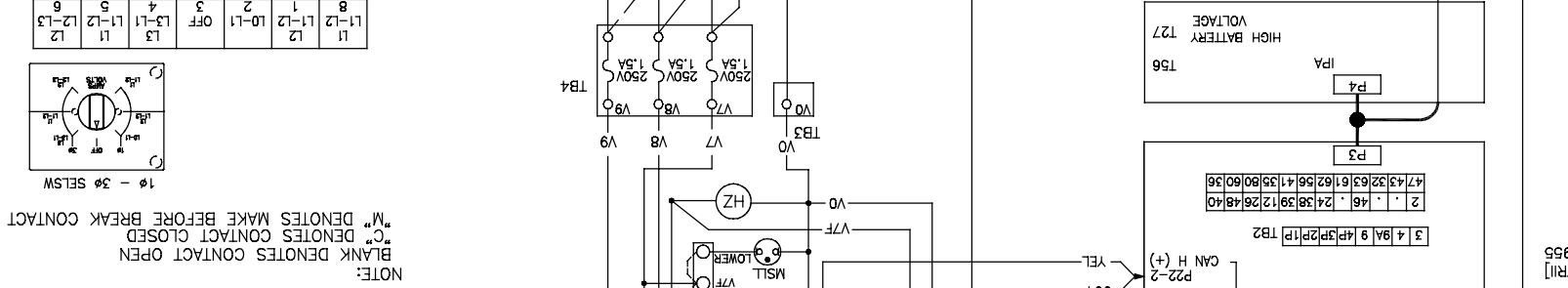
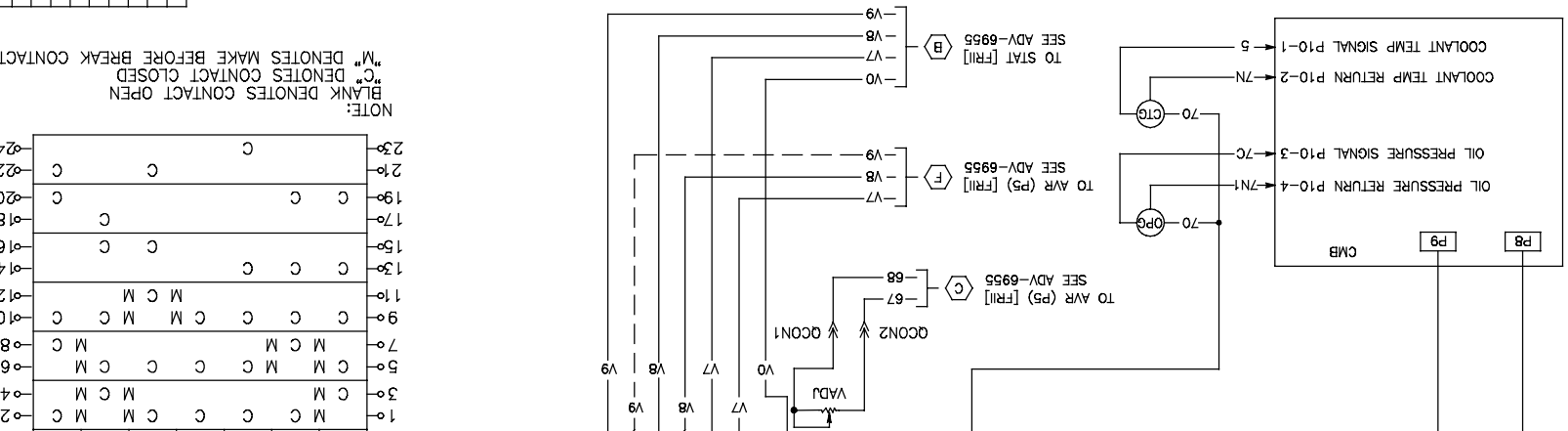
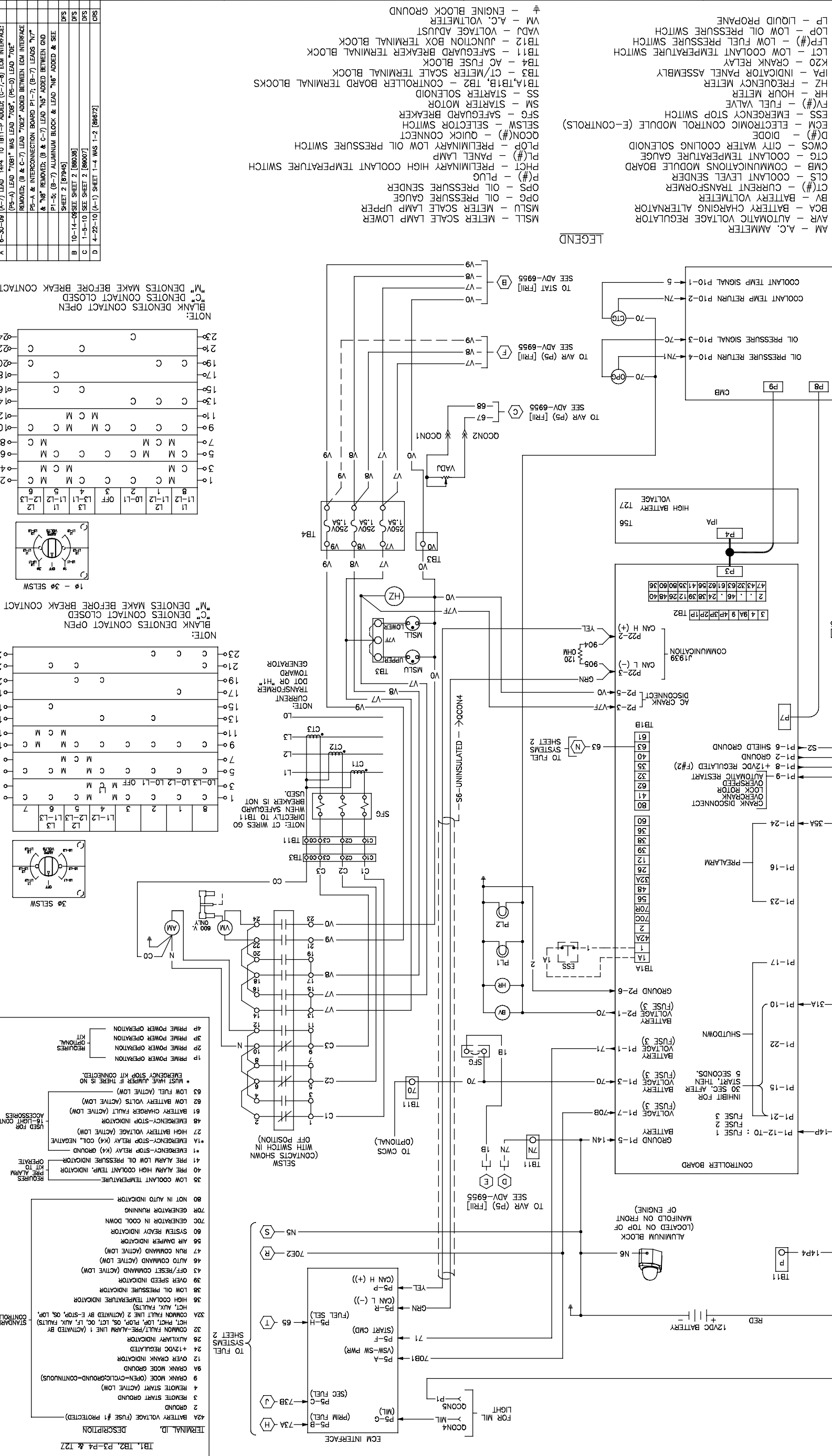
REVISIONS:
REV. NO. DATE REVISION
A 6-30-08 (A-7) LEAD "A4" TO TB11-P ADDED; (C-7-8) ECM INTERFACE (P5-A) LEAD "70B1" MS LEAD "70B7" (P6-D) LEAD "70E" REMOVED; (B & C-7) LEAD "70E2" ADDED BETWEEN ECM INTERFACE (P5-A & INTERCONNECTION BOARD P1-7); (B-7) LEADS "V7" & "V8" REMOVED; (B & C-7) LEAD "V8" ADDED BETWEEN GND P1-5; (B-7) ALUMINUM BLOCK & LEAD "V8" ADDED & SEE SHEET 2 (B7P4S)
B 10-14-08 (SEE SHEET 2 [8803B])
C 1-5-10 (SEE SHEET 2 [88007])
D 4-22-10 (A-1) SHEET 1-4 WAS 1-2 [88672]

APPROVALS:
DESIGNED BY: JES/CS
CHECKED BY: JES/CS
DATE: 5-22-08
SCALE: NONE
SHEET NO.: 40
JOB NO.: ADV-7601

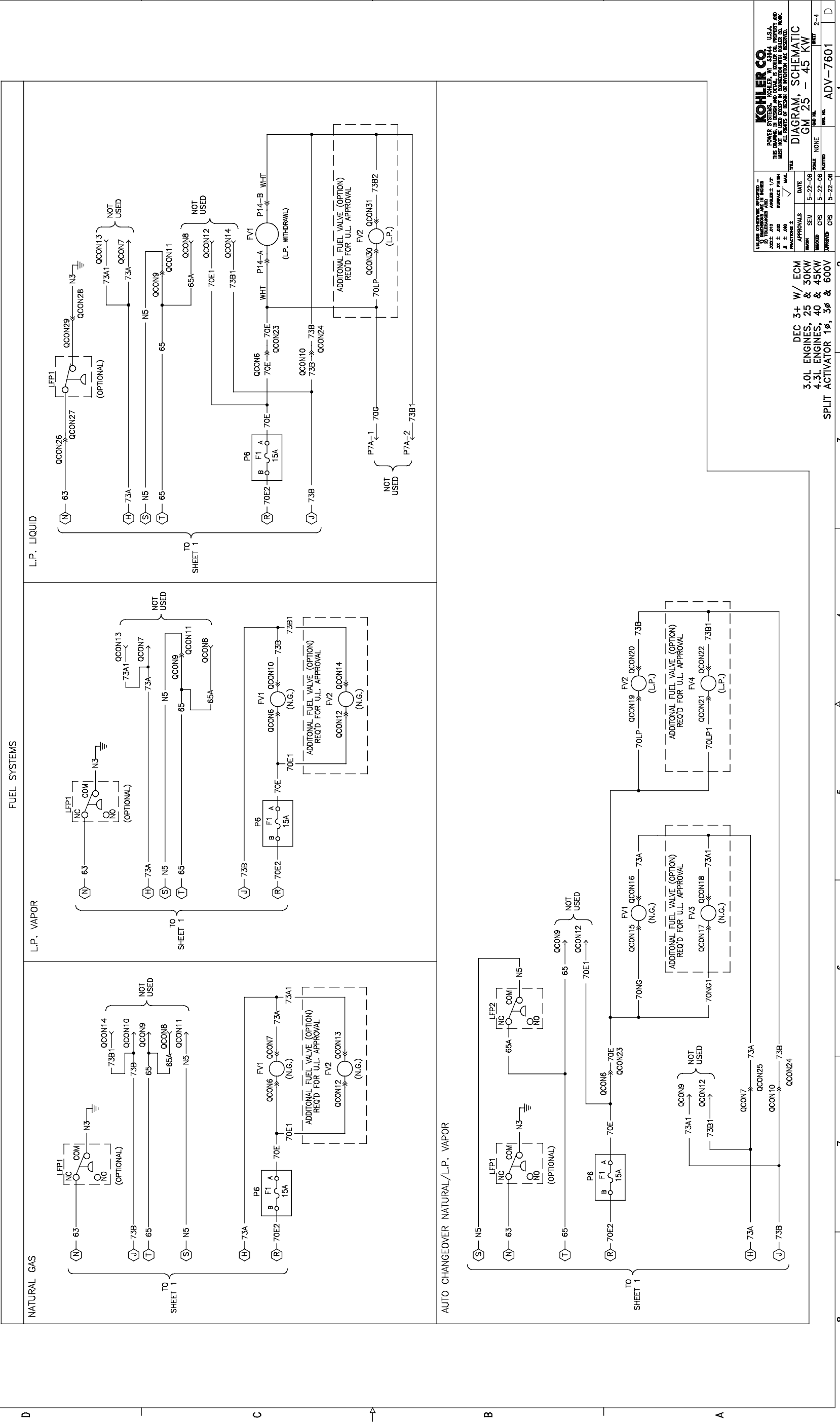
U.S.A.
THIS POWER SYSTEM AND ALL PARTS ARE THE PROPERTY OF KOHLER CO. PARTS MUST BE USED EXCEPT IN CONNECTION WITH THE PARTS MANUFACTURED BY KOHLER CO.

DIAGRAM, SCHEMATIC
GM 25 - 45 KW

DEC 3+ w/ ECM
3.0L ENGINES, 25 & 30KW
4.3L ENGINES, 40 & 45 KW
SPLIT ACTIVATOR 1 ϕ , 3 ϕ & 600V



REV	DATE	REVISION	BY
B	10-14-08	(B-6, 7 & D-3, 5, 7) LFP1 & LFP2 GEOMETRY REVISED (B PLACES) TO REFLECT NEW SWITCH DESIGN [88038]	DPS
C	1-5-10	(B,C,D-1 THRU -4) L.P. LIQUID WIRING REVISED TO REFLECT CHANGES MADE TO WIRING DIAGRAM & L.P. LIQUID EXTENSION HARNESS [88007]	DPS
D	4-22-10	(A-1) SHEET 2-4 WAS 2-2 [88672]	CRS



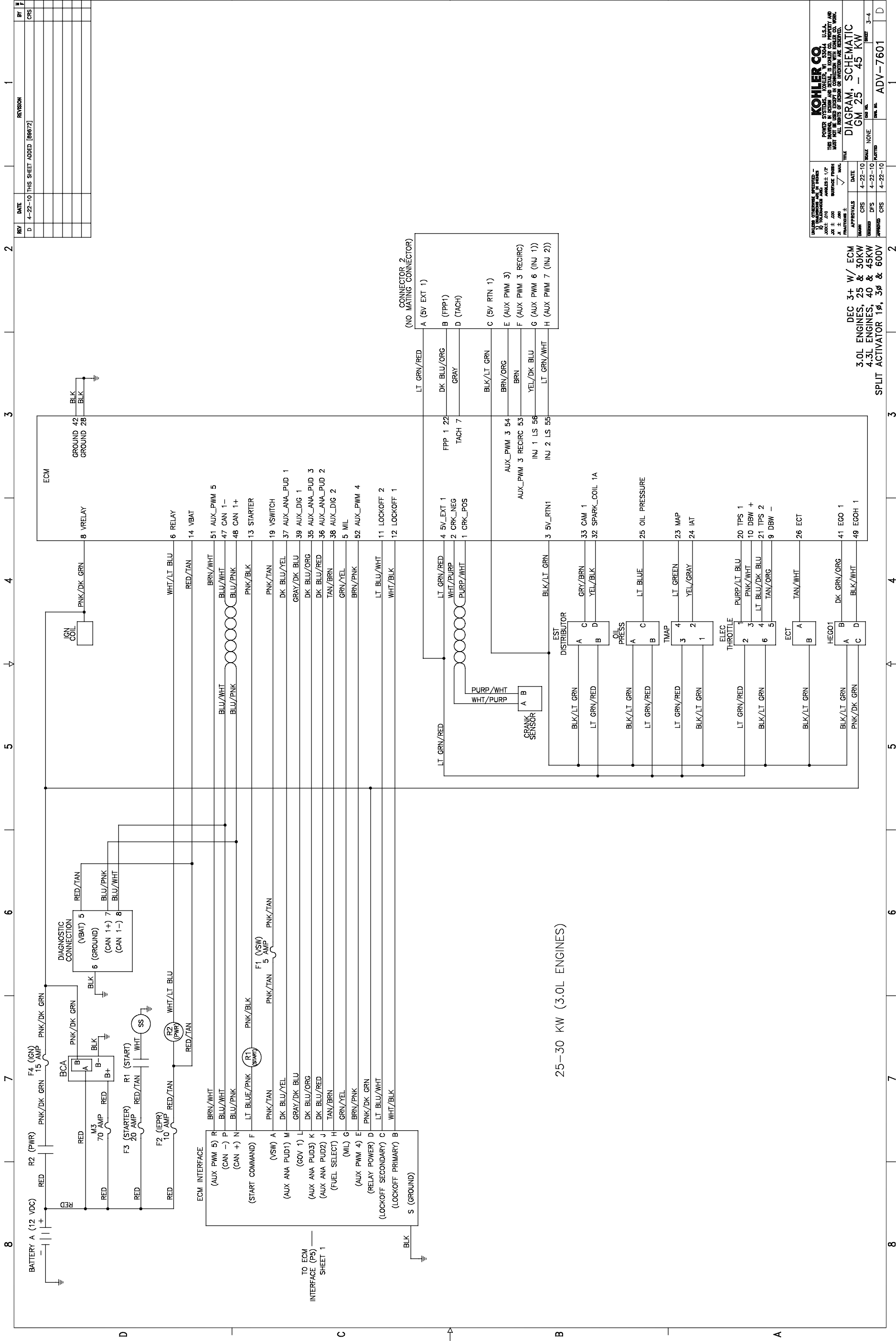
APPROVALS	DATE	SCALE	NO.	REV.	BY
DESIGN	5-22-08	1/2"	ADV-7601	1	D
SEMI	5-22-08				
CHKD	5-22-08				
APPROV	5-22-08				

UNLESS OTHERWISE SPECIFIED -
 1) DIMENSIONS ARE IN INCHES
 2) TOLERANCES UNLESS NOTED:
 FRACTIONS ± 1/32
 DECIMALS ± 0.015
 ANGLES ± 1/2°
 HOLE POSITION ± 0.010
 THIS DRAWING IS THE PROPERTY OF KOHLER CO. IT IS TO BE USED ONLY FOR THE PROJECT AND IN THE QUANTITY SPECIFIED THEREON. ALL RIGHTS OF DESIGN OR INVENTION ARE RESERVED.

KOHLER CO. U.S.A.
 POWER SYSTEMS DIVISION
 1000 KOHLER DRIVE
 MILWAUKEE, WI 53214-1000 U.S.A.
DIAGRAM, SCHEMATIC
GM 25 - 45 KW
 TITLE: ADV-7601
 SCALE: NONE
 SHEET: 2-4

DEC 3+ W/ ECM
 3.0L ENGINES, 25 & 30KW
 4.3L ENGINES, 40 & 45KW
 SPLIT ACTIVATOR 1φ, 3φ & 600V

2 3 4 5 6 7 8



REV	DATE	REVISION	BY
D	4-22-10	THIS SHEET ADDED [86672]	CRS

UNLESS OTHERWISE SPECIFIED -
 1) DIMENSIONS ARE IN INCHES
 2) DIMENSIONS ARE IN MILLIMETERS
 3) TOLERANCES UNLESS OTHERWISE SPECIFIED:
 DEC ± .010
 FRACTIONS ± .005
 HOLE ± .010
 SURFACE FINISH UNLESS OTHERWISE SPECIFIED:
 125 RA
 ALL DIMENSIONS OF DESIGN OR CONSTRUCTION ARE ESSENTIAL.

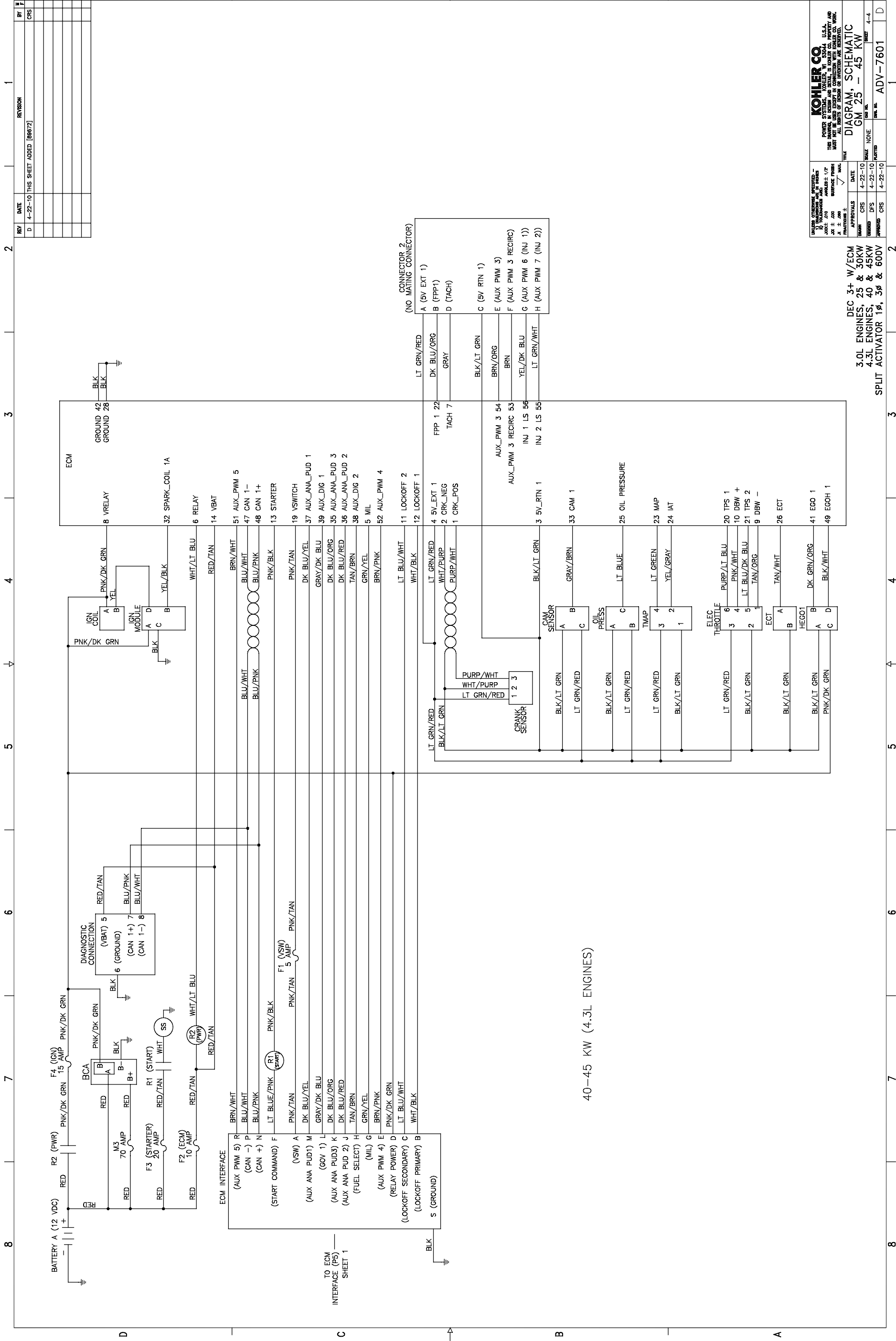
DATE: 4-22-10
 DRAWN: CRS
 CHECKED: DJS
 APPROVED: CRS

SCALE: NONE
 SHEET NO.: 3-4
 PART NO.: ADV-7601

KOHLER CO. U.S.A.
 POWER SYSTEMS AND CONTROLS DIVISION
 THIS DRAWING IS THE PROPERTY OF KOHLER CO. IT IS TO BE USED ONLY IN CONNECTION WITH KOHLER CO. WORK.
 ALL RIGHTS OF DESIGN OR CONSTRUCTION ARE RESERVED.

DIAGRAM, SCHEMATIC
GM 25 - 45 KW

DEC 3+ w/ ECM
3.0L ENGINES, 25 & 30KW
4.3L ENGINES, 40 & 45KW
SPLIT ACTIVATOR 1P, 3P & 600V



UNLESS OTHERWISE SPECIFIED -	DATE	DATE	DATE
3) REVISIONS	DATE	DATE	DATE
JOE J. JOO	4-22-10	4-22-10	4-22-10
DAVID J. JOO	4-22-10	4-22-10	4-22-10
FRANCIS J. JOO	4-22-10	4-22-10	4-22-10

APPROVALS

DESIGN	DATE	SCALE	NO. IN.
CRS	4-22-10	4-22-10	4-4
DPS	4-22-10	4-22-10	4-4
CRS	4-22-10	4-22-10	4-4

COHLEK CO. U.S.A.
 POWER SYSTEMS AND CONTROLS DIVISION
 THIS DRAWING IS THE PROPERTY OF KOHLER CO. IT IS TO BE USED ONLY IN CONNECTION WITH KOHLER CO. WORK.
 ALL RIGHTS OF DESIGN OR INVENTION ARE RESERVED.

DIAGRAM, SCHEMATIC
GM 25 - 45 KW

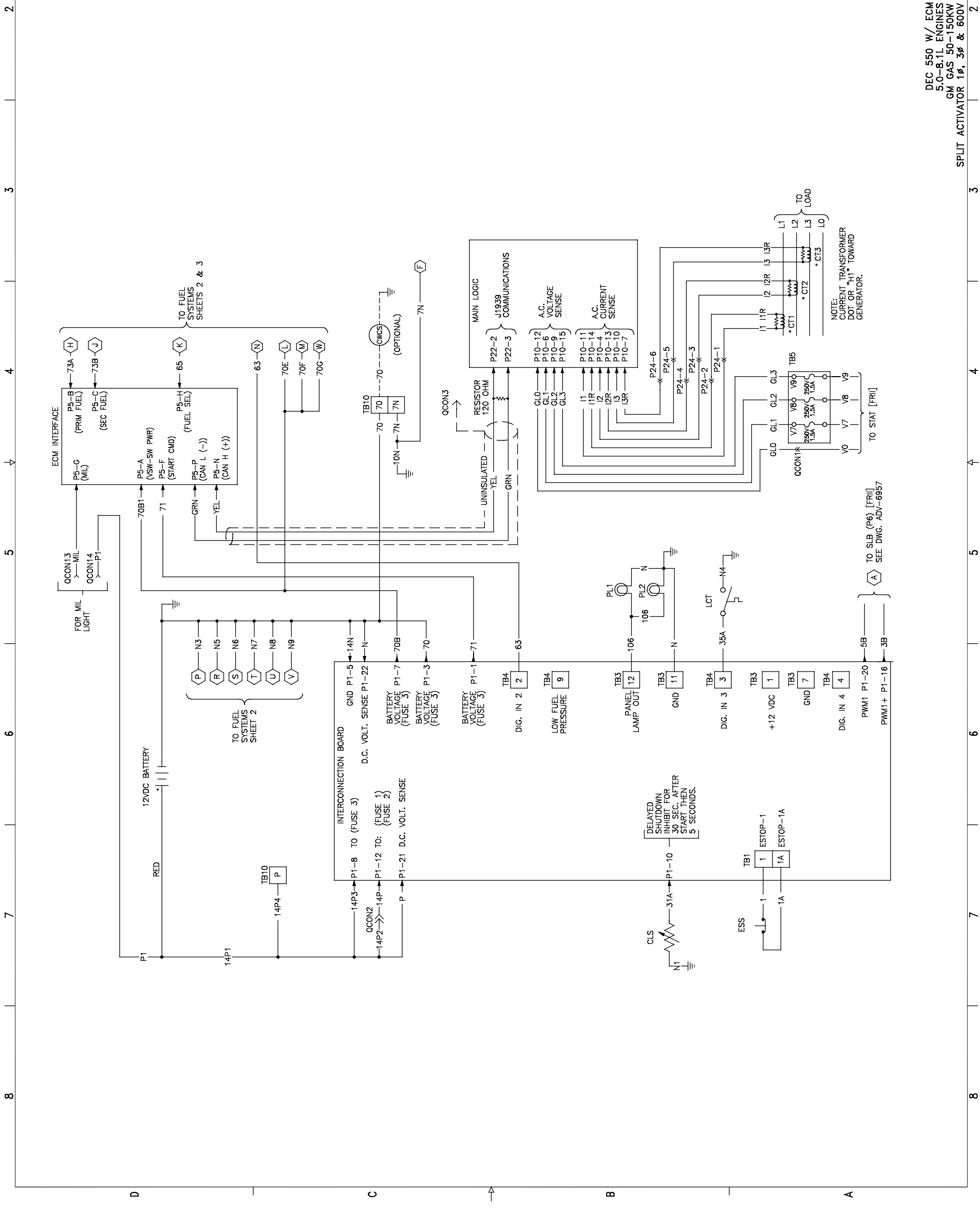
SCALE: NONE
 SHEET NO. ADV-7601
 PART NO. 4-4

DEC 3+ w/ECM
 3.0L ENGINES, 25 & 30KW
 4.3L ENGINES, 40 & 45KW
 SPLIT ACTIVATOR 1P, 3P & 600V

REV	DATE	REVISION	BY
-	6-23-09	NEW DRAWING [67726]	DPS
A	10-14-09	SEE SHEET 2 [86038]	DPS
B	1-6-10	SEE SHEET 2 [86007]	DPS
C	3-10-10	(A-1) SHEET 1-7 WAS 1-3 & SEE SHEET 3 [86392]	DPS

LEGEND

- BCA -- BATTERY CHARGING ALTERNATOR
- CLS -- COOLANT LEVEL SENDER
- CT1(#)-- CURRENT TRANSFORMER
- CWCS -- CITY WATER COOLING SOLENOID
- D1(#)-- DIODE
- ESS -- ELECTRONIC CONTROL MODULE (E-CONTROLS)
- F1(#)-- FUSE
- F1S(#)-- FUSE LINK
- INS1L(#)-- CRANK RELAY
- K20 -- LOW COOLANT
- LCT -- TEMPERATURE SWITCH
- LFP(#)-- LOW FUEL PRESSURE SWITCH
- LP -- LIQUID PROPGANE
- OPS -- OIL PRESSURE SENDER
- P1(#)-- PLUG
- PL1(#)-- PANEL LAMP
- PMG -- PERMANENT MAGNET GENERATOR
- QCON(#)-- QUICK CONNECT TERMINAL
- STAT -- STATOR
- SLB -- STATIONARY LED BOARD
- SM -- STARTER MOTOR
- SS -- STARTER SOLENOID
- TB1 -- INTERCONNECTION BOARD TERMINAL BLOCK
- TB2 -- A/D TERMINAL BLOCK
- TB3 -- OUTPUT TERMINAL BLOCK
- TB4 -- DIGITAL INPUT TERMINAL BLOCK
- TB5 -- CONTROLLER A.C. FUSE BLOCK
- TB10 -- ACCESSORY TERMINAL BLOCK
- TB12 -- JUNCTION BOX TERMINAL BLOCK
- ⊥ -- ENGINE BLOCK GROUND



APPROVALS	DATE	SCALE	NO. OF SHEETS	TOTAL SHEETS
DESIGNED	6-23-09	1/2"	1-7	7
CHECKED	6-24-09			
APPROVED	6-24-09			

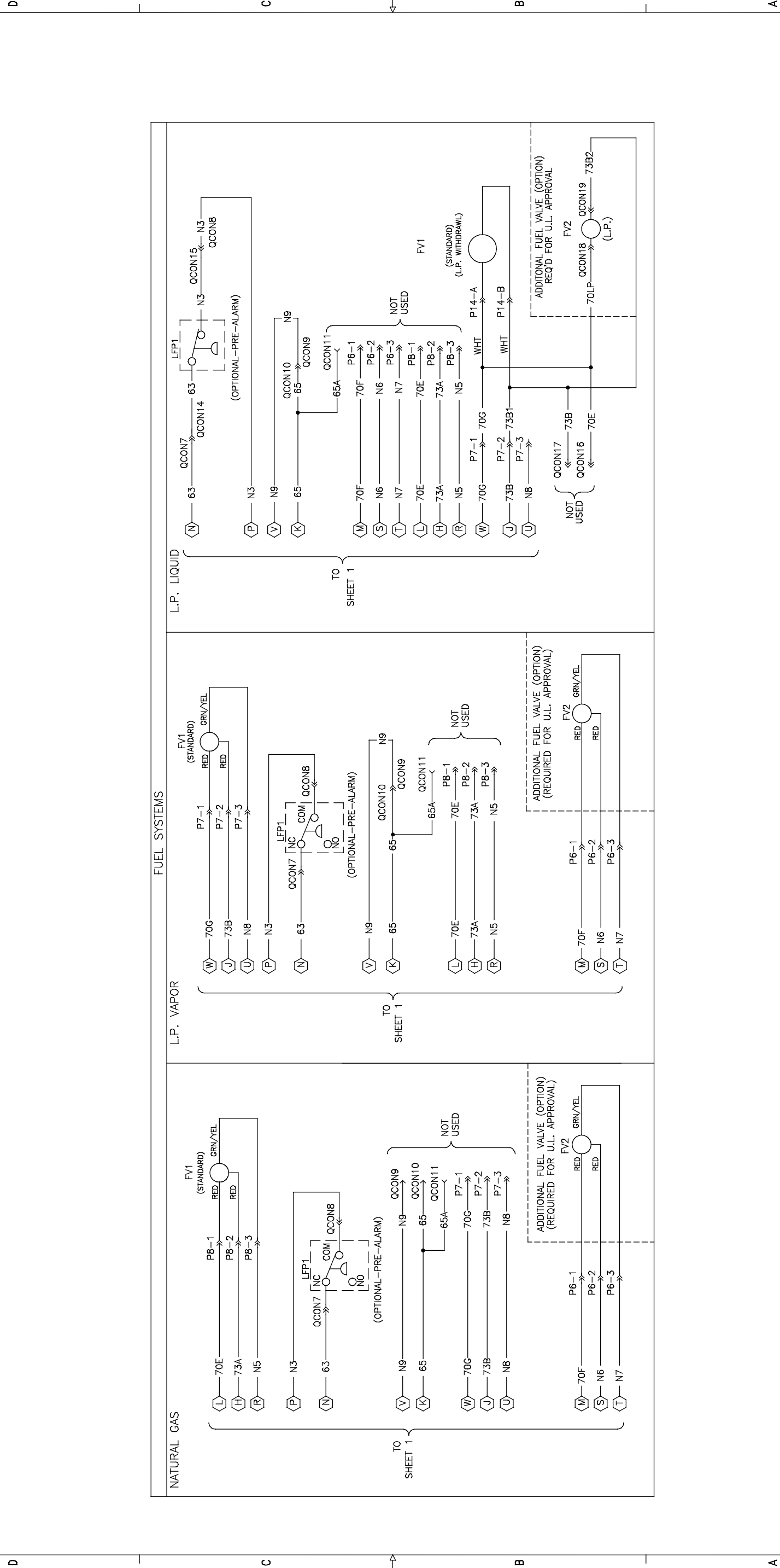
DEC 550 W/ ECM
5.0-8.1L ENGINES
GM GAS 50-150KW
SPLIT ACTIVATOR 1φ, 3φ & 600V

KOHLER CO.
POWER SYSTEMS, KOHLER, WI 53044 U.S.A.
THIS DRAWING IS BEING AND SHALL BE KEPT IN THE COMPANY'S OFFICE AND ALL RIGHTS OF DESIGN OR INVENTION ARE RESERVED.

DIAGRAM SCHEMATIC
GM 50-150KW

ADV-7737

REV	DATE	REVISION	BY
A	10-14-04	(A-6, B-7, D-3, 5-7) LFPI & LF2P GEOMETRY REVISED (G PLACES) TO REFLECT NEW SWITCH DESIGN [86038]	DFS
B	1-6-10	(C & D-2 THRU -4) L.P. LIQUID WIRING REVISED TO REFLECT CHANGES MADE TO WIRING DIAGRAM & L.P. LIQUID EXTENSION HARNESS: (A & B-1 THRU-4) WIRING DIAGRAM ADDED FOR 5.7L TURBO DUAL FUEL [86007]	DFS
C	3-10-10	(A-1) SHEET 2-7 WAS 2-3 & DUAL FUEL SYSTEMS MOVED TO SHEET 3 [86392]	DFS

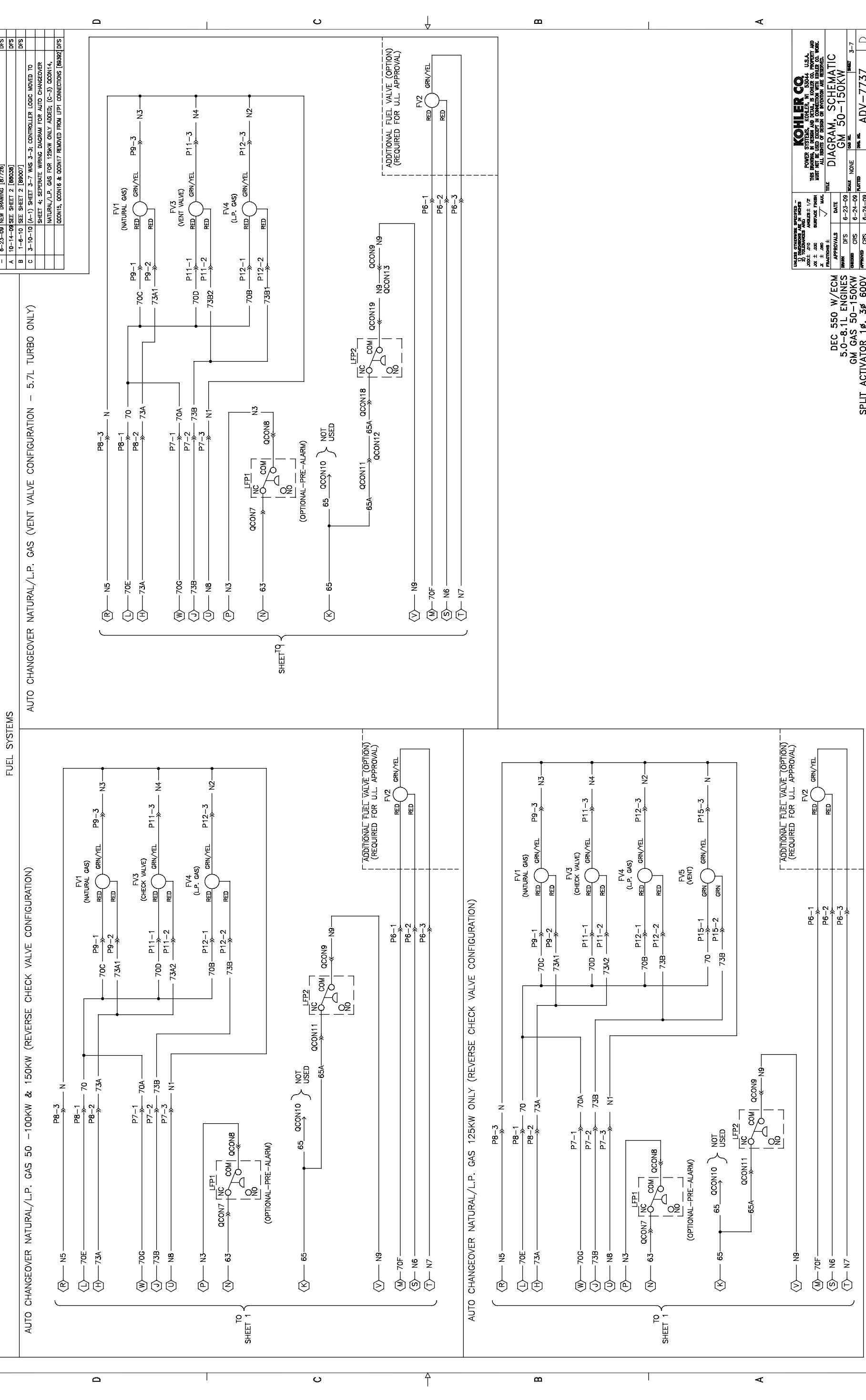


KOHLER CO.
 POWER SYSTEMS, KOHLER, WI, 53044, U.S.A.
 THIS DRAWING IS PART OF A COMPLETE DRAWING SET. ALL RIGHTS OF INVENTION ARE RESERVED.

DEC 550 W/ECM
 5.0-8.1L ENGINES
 GM GAS 50-150KW
 SPLIT ACTIVATOR 1φ, 3φ & 600V

DATE	6-23-06	NO. IN CHARGE	2-7
DESIGNED	DFS	NO. REVISED	
CHECKED	CRS	NO. APPROVED	
DRAWN	CRS	NO. DRAWN	
APPROVED	CRS	NO. APPROVED	

ADV-7737



FUEL SYSTEMS
 AUTO CHANGEOVER NATURAL/L.P. GAS (REVERSE CHECK VALVE CONFIGURATION)
 AUTO CHANGEOVER NATURAL/L.P. GAS (VENT VALVE CONFIGURATION - 5.7L TURBO ONLY)

REV	DATE	REVISION	BY
-	6-23-09	NEW DRAWING [67726]	DPS
A	10-14-09	SEE SHEET 2 [86008]	DPS
B	1-6-10	SEE SHEET 2 [86007]	DPS
C	3-10-10	(A-1) SHEET 3-7 WAS 3-3; CONTROLLER LOGIC MOVED TO SHEET 4; SEPARATE WIRING DIAGRAM FOR AUTO CHANGEOVER NATURAL/L.P. GAS FOR 125KW ONLY ADDED; (C-3) QCON14, QCON15, QCON16 & QCON17 REMOVED FROM LFP1 CONNECTIONS [86292] [DPS]	DPS

DESIGN	DATE	REVISION	BY
DESIGNED	6-23-09		DPS
CHECKED	6-24-09		CRS
APPROVED	6-24-09		CRS

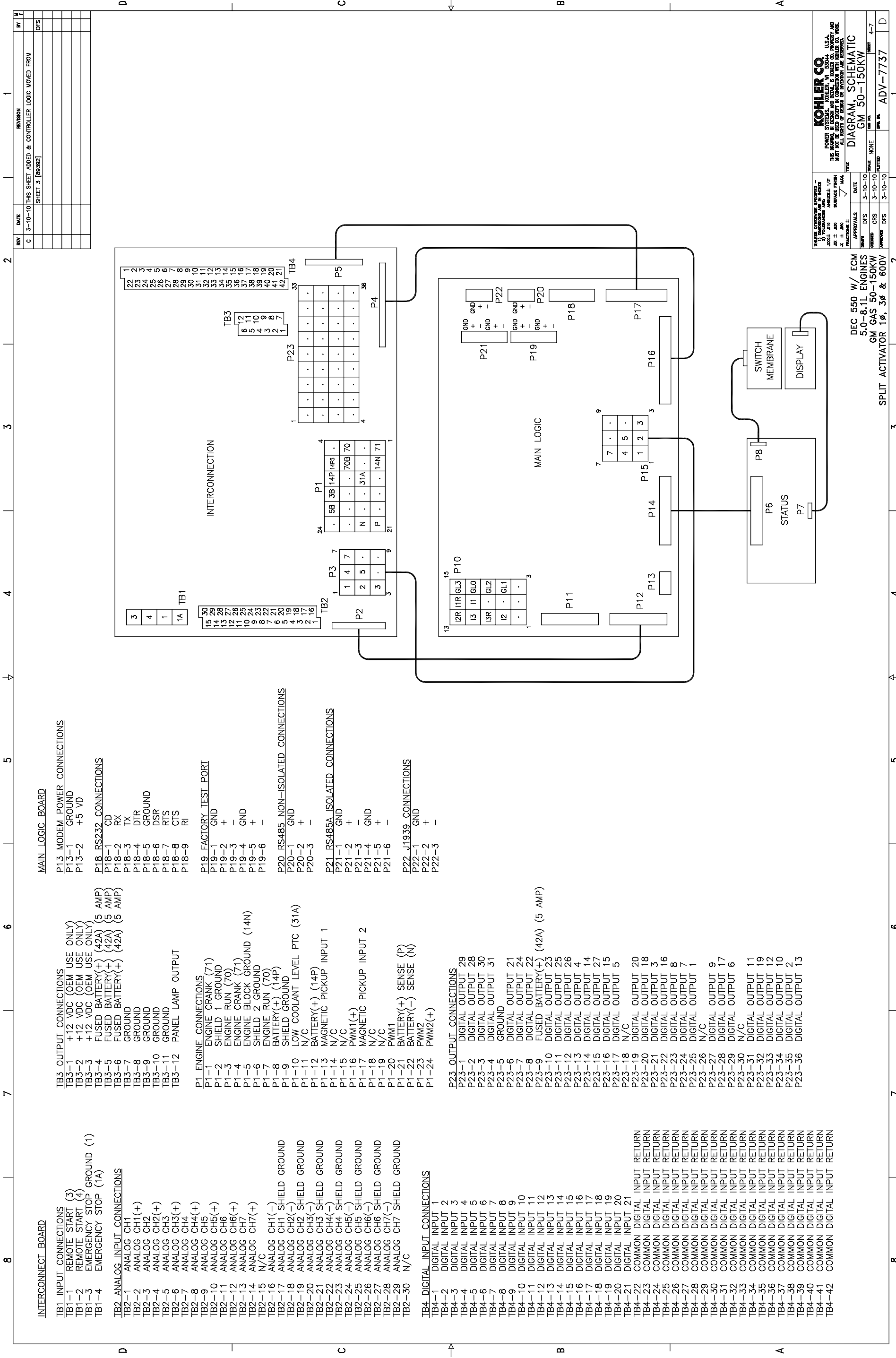
APPROVALS	DATE	REVISION	BY
APPROVED	6-23-09		DPS
APPROVED	6-24-09		CRS

DEC 550 W/ECM
 5.0-8.1L ENGINES
 GM GAS 50-150KW
 SPLIT ACTIVATOR 1φ, 3φ 600V

KOHLER CO.
 POWER SYSTEMS, KOHLER, WI, USA
 THIS DRAWING IS PART OF THE STANDARD CO. PROPERTY AND
 RIGHTS RESERVED. ALL RIGHTS OF DESIGN OR INVENTION ARE RESERVED.

DIAGRAM SCHEMATIC
 GM 50-150KW

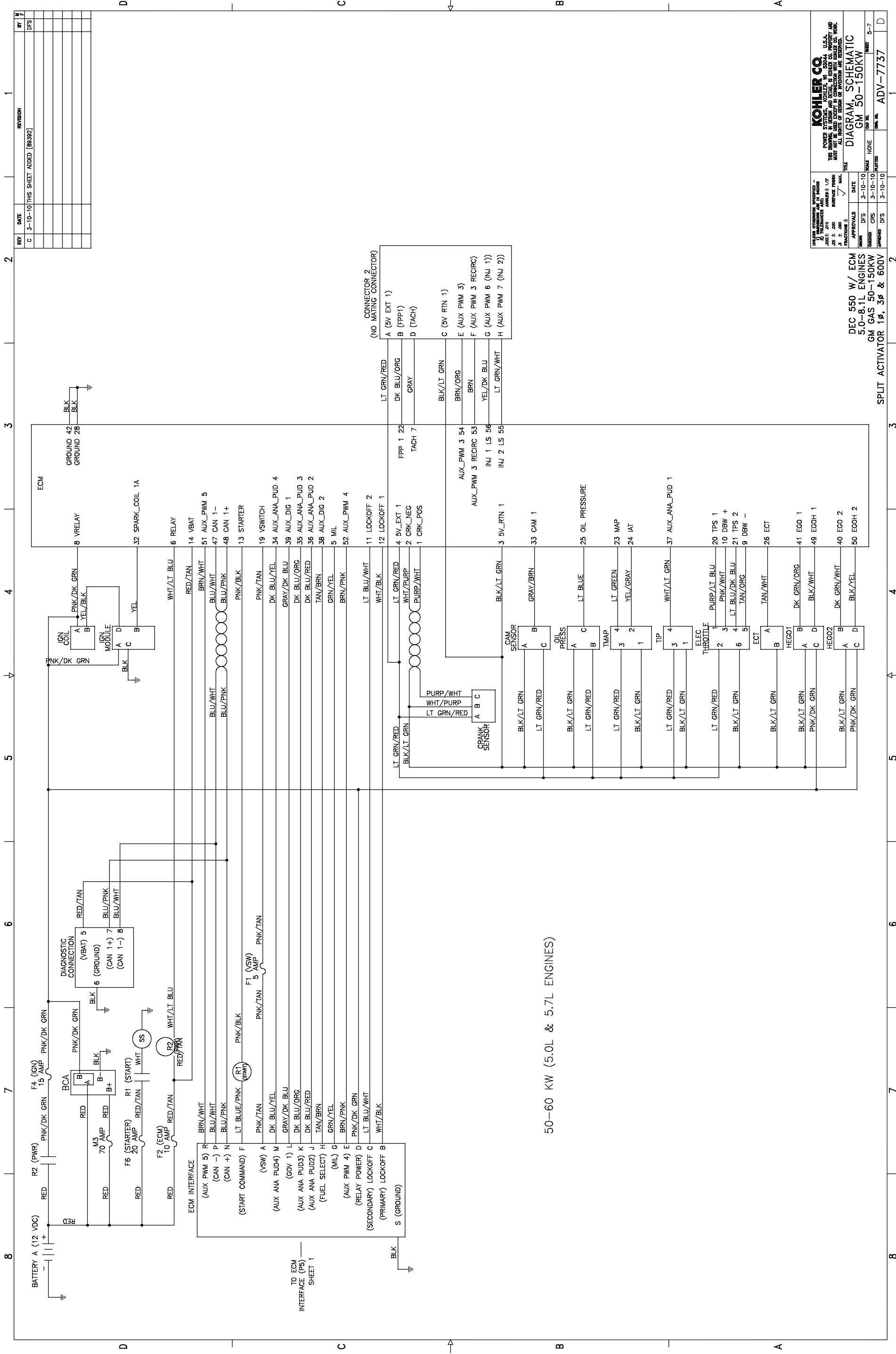
FIG. NO. ADV-7737



REV	DATE	REVISION	BY
C	3-10-10	THIS SHEET ADDED & CONTROLLER LOGIC MOVED FROM SHEET 3 (861992)	DPS

DATE	BY	NO.	REV.	DESCRIPTION
3-10-10	DPS	1		
3-10-10	DPS	2		
3-10-10	DPS	3		
3-10-10	DPS	4		
3-10-10	DPS	5		
3-10-10	DPS	6		
3-10-10	DPS	7		
3-10-10	DPS	8		
3-10-10	DPS	9		
3-10-10	DPS	10		
3-10-10	DPS	11		
3-10-10	DPS	12		
3-10-10	DPS	13		
3-10-10	DPS	14		
3-10-10	DPS	15		
3-10-10	DPS	16		
3-10-10	DPS	17		
3-10-10	DPS	18		
3-10-10	DPS	19		
3-10-10	DPS	20		
3-10-10	DPS	21		
3-10-10	DPS	22		
3-10-10	DPS	23		
3-10-10	DPS	24		
3-10-10	DPS	25		
3-10-10	DPS	26		
3-10-10	DPS	27		
3-10-10	DPS	28		
3-10-10	DPS	29		
3-10-10	DPS	30		
3-10-10	DPS	31		
3-10-10	DPS	32		
3-10-10	DPS	33		
3-10-10	DPS	34		
3-10-10	DPS	35		
3-10-10	DPS	36		
3-10-10	DPS	37		
3-10-10	DPS	38		
3-10-10	DPS	39		
3-10-10	DPS	40		
3-10-10	DPS	41		
3-10-10	DPS	42		
3-10-10	DPS	43		
3-10-10	DPS	44		
3-10-10	DPS	45		
3-10-10	DPS	46		
3-10-10	DPS	47		
3-10-10	DPS	48		
3-10-10	DPS	49		
3-10-10	DPS	50		

DATE	BY	NO.	REV.	DESCRIPTION
3-10-10	DPS	1		
3-10-10	DPS	2		
3-10-10	DPS	3		
3-10-10	DPS	4		
3-10-10	DPS	5		
3-10-10	DPS	6		
3-10-10	DPS	7		
3-10-10	DPS	8		
3-10-10	DPS	9		
3-10-10	DPS	10		
3-10-10	DPS	11		
3-10-10	DPS	12		
3-10-10	DPS	13		
3-10-10	DPS	14		
3-10-10	DPS	15		
3-10-10	DPS	16		
3-10-10	DPS	17		
3-10-10	DPS	18		
3-10-10	DPS	19		
3-10-10	DPS	20		
3-10-10	DPS	21		
3-10-10	DPS	22		
3-10-10	DPS	23		
3-10-10	DPS	24		
3-10-10	DPS	25		
3-10-10	DPS	26		
3-10-10	DPS	27		
3-10-10	DPS	28		
3-10-10	DPS	29		
3-10-10	DPS	30		
3-10-10	DPS	31		
3-10-10	DPS	32		
3-10-10	DPS	33		
3-10-10	DPS	34		
3-10-10	DPS	35		
3-10-10	DPS	36		
3-10-10	DPS	37		
3-10-10	DPS	38		
3-10-10	DPS	39		
3-10-10	DPS	40		
3-10-10	DPS	41		
3-10-10	DPS	42		
3-10-10	DPS	43		
3-10-10	DPS	44		
3-10-10	DPS	45		
3-10-10	DPS	46		
3-10-10	DPS	47		
3-10-10	DPS	48		
3-10-10	DPS	49		
3-10-10	DPS	50		



50-60 KW (5.0L & 5.7L ENGINES)

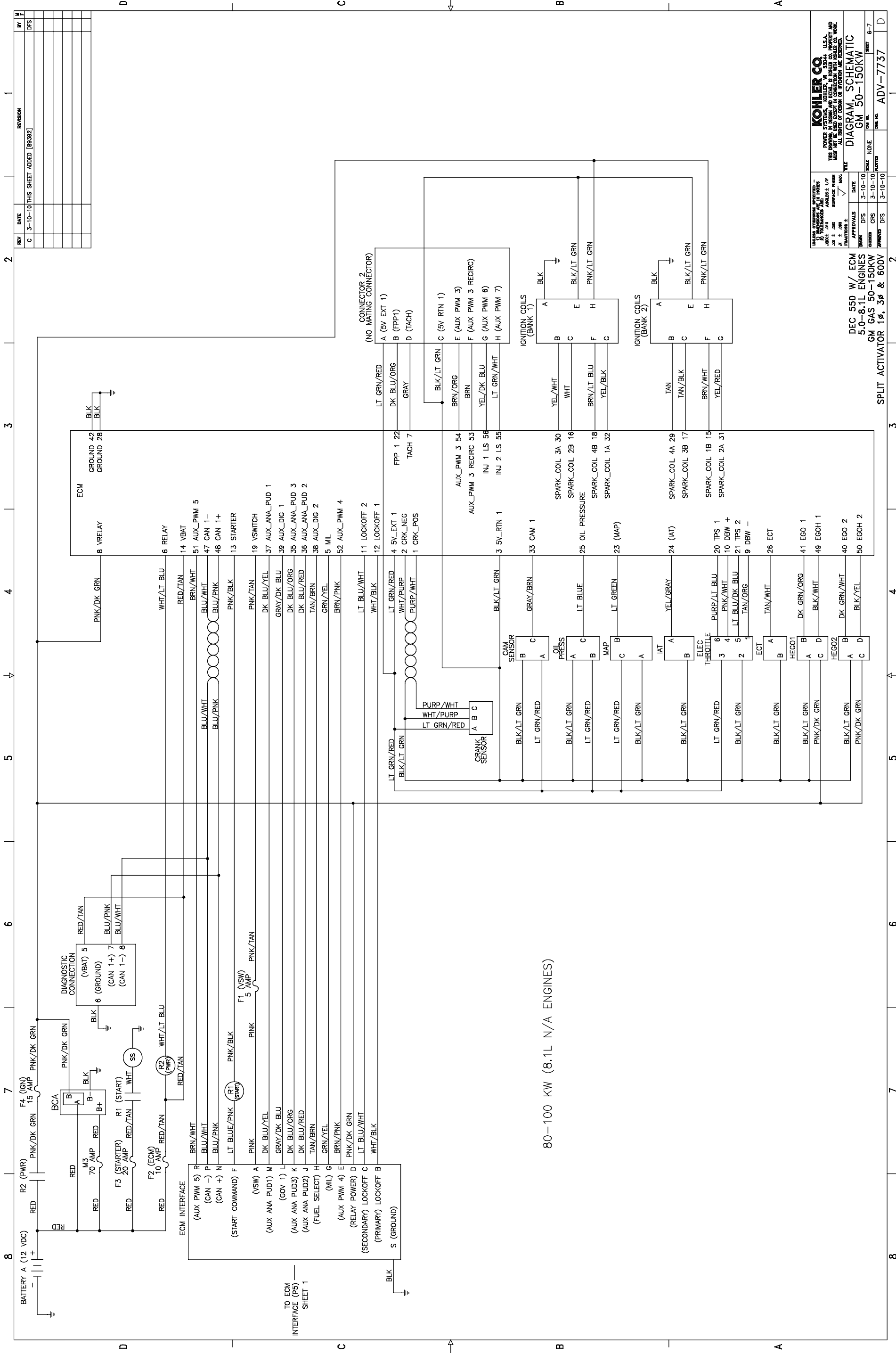
REV	DATE	REVISION	BY
C	3-10-10	THIS SHEET ADDED [86392]	DPS

APPROVALS	DATE	SCALE	NOISE	FORM NO.	REVISION
DESIGNED	3-10-10	3-10-10			5-7
CHECKED					
APPROVED					

KOHLER CO.
 POWER SYSTEMS, KOHLER, WI 53044 U.S.A.
 THIS DRAWING IS PART OF THE DESIGN OF THE EQUIPMENT AND
 NOT BE LOANED, REPRODUCED, COPIED, OR REPRODUCED IN ANY MANNER
 WITHOUT THE WRITTEN PERMISSION OF KOHLER CO.

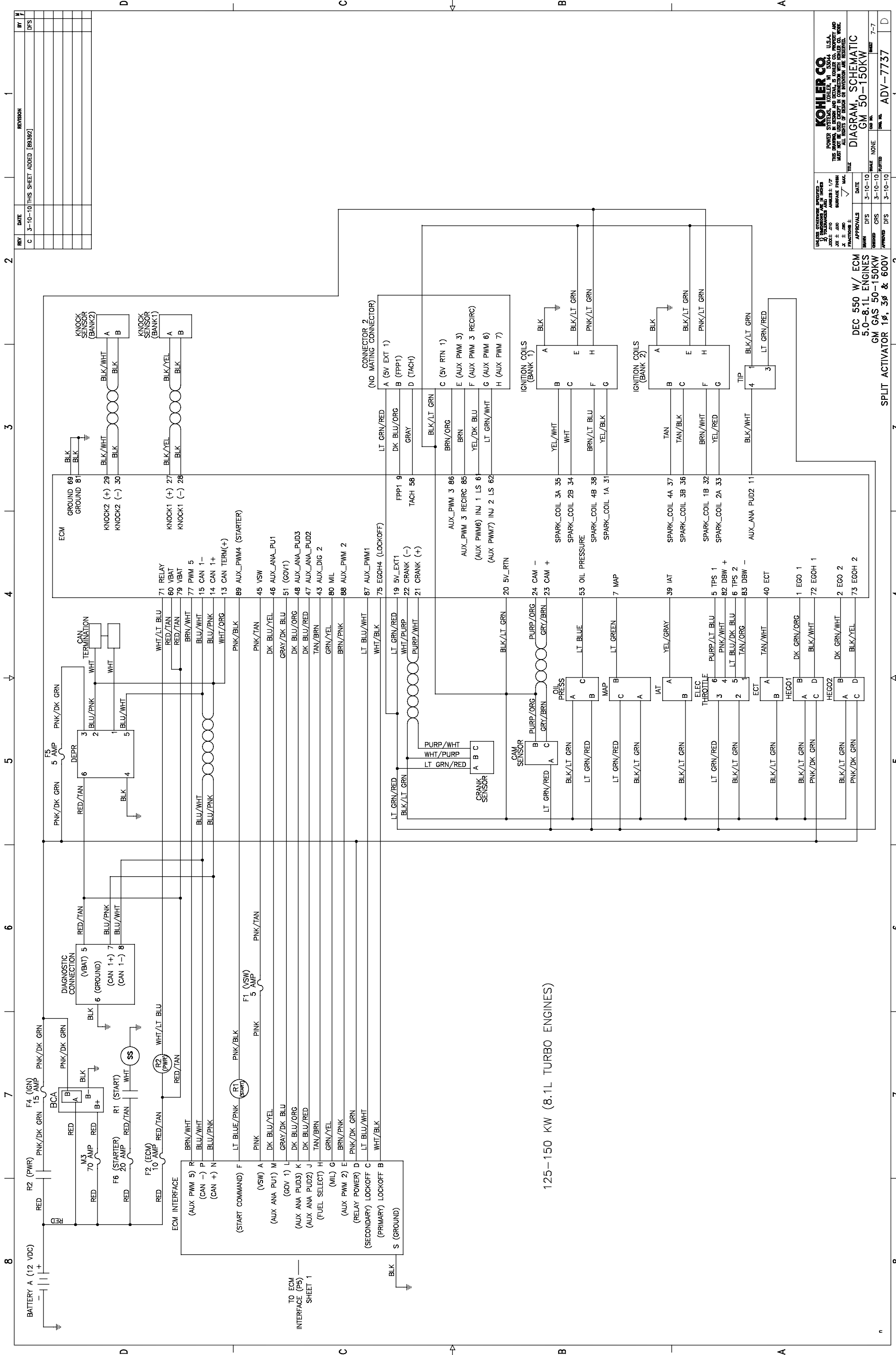
DIAGRAM SCHEMATIC
 GM 50-150KW

DEC 550 W/ ECM
 5.0-8.1L ENGINES
 GM GAS 50-150KW
 SPLIT ACTIVATOR 1φ, 3φ & 600V



THIS DRAWING IS THE PROPERTY OF KOHLER CO. ALL RIGHTS ARE RESERVED. NO PART OF THIS DRAWING IS TO BE REPRODUCED OR TRANSMITTED IN ANY FORM OR BY ANY MEANS, ELECTRONIC OR MECHANICAL, INCLUDING PHOTOCOPYING, RECORDING, OR BY ANY INFORMATION STORAGE AND RETRIEVAL SYSTEM.	KOHLER CO. POWER SYSTEMS, KOHLER, WI 53044 U.S.A. THIS DRAWING IS THE PROPERTY OF KOHLER CO. ALL RIGHTS ARE RESERVED. NO PART OF THIS DRAWING IS TO BE REPRODUCED OR TRANSMITTED IN ANY FORM OR BY ANY MEANS, ELECTRONIC OR MECHANICAL, INCLUDING PHOTOCOPYING, RECORDING, OR BY ANY INFORMATION STORAGE AND RETRIEVAL SYSTEM.
TITLE DIAGRAM SCHEMATIC GM 50-150KW	DATE 3-10-10
DRAWN DCS	CHECKED DCS
APPROVED DCS	DATE 3-10-10
DRAWN BY DCS	CHECKED BY DCS
APPROVED BY DCS	DATE 3-10-10
DRAWN NO. ADV-7737	SHEET NO. 6-7

DEC 550 W/ ECM
 5.0-8.1L ENGINES
 GM GAS 50-150KW
 SPLIT ACTIVATOR 1 ϕ , 3 ϕ & 600V



REV	DATE	REVISION	BY
C	3-10-10	THIS SHEET ADDED [88392]	DPS

APPROVALS	DATE
DRAWN	3-10-10
CHECKED	3-10-10
APPROVED	3-10-10

UNLESS OTHERWISE SPECIFIED -

ALL DIMENSIONS ARE IN MILLIMETERS - 1/2"

ALL DIMENSIONS ARE TO CENTER UNLESS OTHERWISE SPECIFIED

ALL DIMENSIONS ARE TO CENTER UNLESS OTHERWISE SPECIFIED

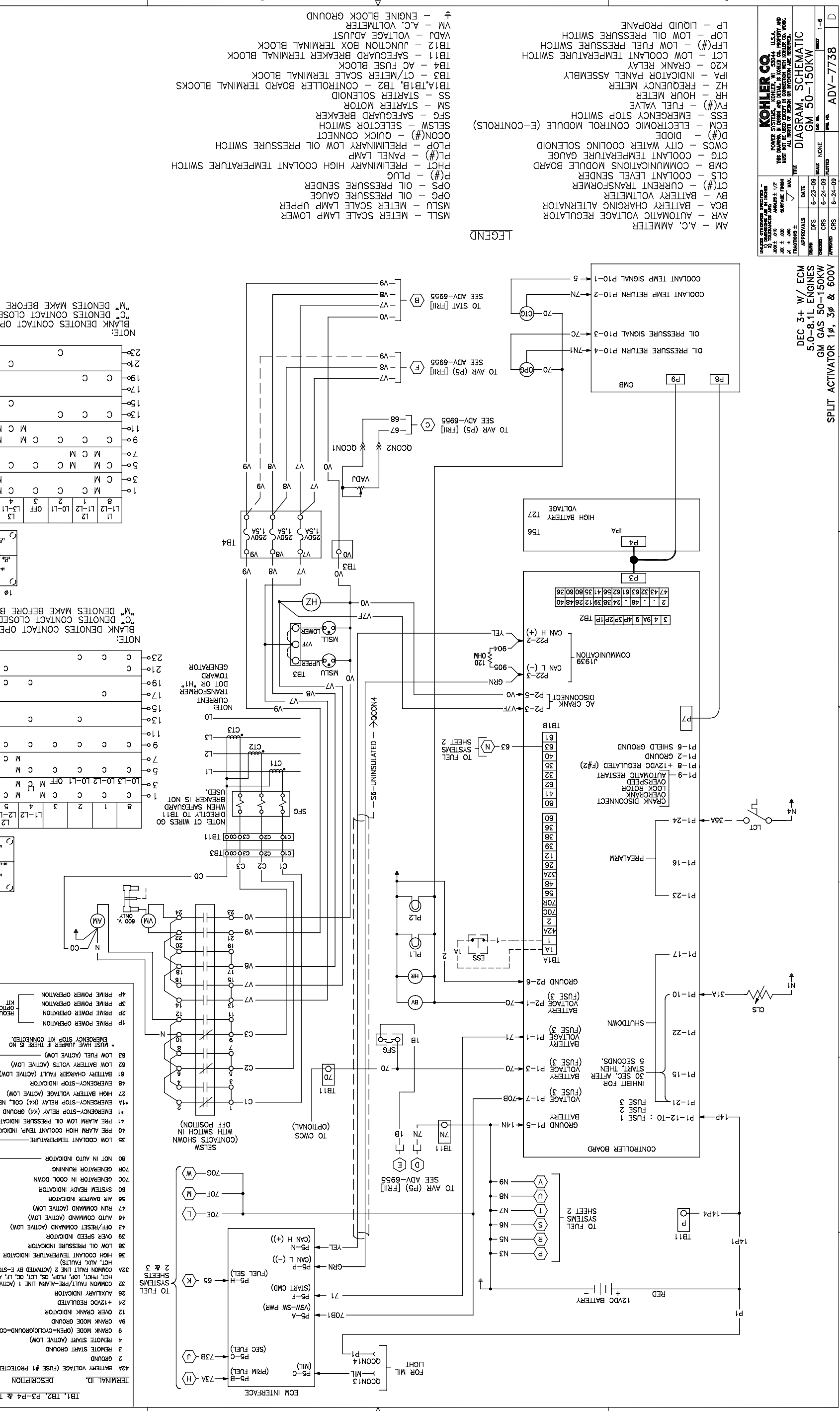
KOHLER CO
 POWER SYSTEMS, KOHLER, WI, USA
 THE DRAWING IS THE PROPERTY OF KOHLER CO. NO PARTS OR INFORMATION ARE TO BE REPRODUCED OR TRANSMITTED IN ANY FORM OR BY ANY MEANS WITHOUT THE WRITTEN PERMISSION OF KOHLER CO.

DIAGRAM SCHEMATIC
 GM 50-150KW
 ADV-7737

DEC 550 W/ ECM
5.0-8.1L ENGINES
GM GAS 50-150KW
SPLIT ACTIVATOR 1φ, 3φ & 600V

REV	DATE	REVISION
A	6-23-09	NEW DRAWING [87726]
B	10-14-09	SEE SHEET 2 [88038]
C	1-6-10	(A-4)-(5) SHIELDED CABLE FROM P1-2,-6,-8 & -9 TO SSBN [R1]
D	3-10-10	(A-1) SHEET 1-6 WAS 1-2 & SEE SHEET 3 [89292]
D		REMOVED & SEE SHEET 2 [89007]

TERMINAL ID	DESCRIPTION	TERMINAL ID	DESCRIPTION
42A	BATTERY VOLTAGE (FUSE #1 PROTECTED)	1	FUSE 1
2	GROUND	2	FUSE 2
3	REMOTE START GROUND	3	FUSE 3
4	REMOTE START (ACTIVE LOW)	4	INHIBIT FOR 30 SEC. AFTER START, THEN 5 SECONDS.
9	CRANK MODE GROUND	5	GROUND P1-5
12	OVER CRANK INDICATOR	6	GROUND P1-7
24	+12VDC REGULATOR	7	BATTERY VOLTAGE (FUSE 3) P1-3
26	AUXILIARY INDICATOR	8	BATTERY VOLTAGE (FUSE 3) P1-1
32	COMMON FAULT/PRE-ALARM LINE 1 (ACTIVATED BY HCT, PHCT, LOP, PLOP, OS, LCT, OX, LF, AUX. FAILS)	9	BATTERY VOLTAGE (FUSE 3) P1-2
32A	COMMON FAULT LINE 2 (ACTIVATED BY E-STOP, OS, LOP, HCT, PHCT, LOP, PLOP, OS, LCT, OX, LF, AUX. FAILS)	10	GROUND P2-6
36	HIGH COOLANT TEMPERATURE INDICATOR	11	HR
38	LOW OIL PRESSURE INDICATOR	12	HR
39	OVER SPEED INDICATOR	13	HR
43	OFF/RESET COMMAND (ACTIVE LOW)	14	HR
46	AUTO COMMAND (ACTIVE LOW)	15	HR
47	RUN COMMAND (ACTIVE LOW)	16	HR
56	AIR DAMPER INDICATOR	17	HR
60	SYSTEM READY INDICATOR	18	HR
62	GENERATOR IN COOL DOWN	19	HR
70C	GENERATOR RUNNING	20	HR
80	NOT IN AUTO INDICATOR	21	HR
80	NOT IN AUTO INDICATOR	22	HR
80	NOT IN AUTO INDICATOR	23	HR
80	NOT IN AUTO INDICATOR	24	HR
80	NOT IN AUTO INDICATOR	25	HR
80	NOT IN AUTO INDICATOR	26	HR
80	NOT IN AUTO INDICATOR	27	HR
80	NOT IN AUTO INDICATOR	28	HR
80	NOT IN AUTO INDICATOR	29	HR
80	NOT IN AUTO INDICATOR	30	HR
80	NOT IN AUTO INDICATOR	31	HR
80	NOT IN AUTO INDICATOR	32	HR
80	NOT IN AUTO INDICATOR	33	HR
80	NOT IN AUTO INDICATOR	34	HR
80	NOT IN AUTO INDICATOR	35	HR
80	NOT IN AUTO INDICATOR	36	HR
80	NOT IN AUTO INDICATOR	37	HR
80	NOT IN AUTO INDICATOR	38	HR
80	NOT IN AUTO INDICATOR	39	HR
80	NOT IN AUTO INDICATOR	40	HR
80	NOT IN AUTO INDICATOR	41	HR
80	NOT IN AUTO INDICATOR	42	HR
80	NOT IN AUTO INDICATOR	43	HR
80	NOT IN AUTO INDICATOR	44	HR
80	NOT IN AUTO INDICATOR	45	HR
80	NOT IN AUTO INDICATOR	46	HR
80	NOT IN AUTO INDICATOR	47	HR
80	NOT IN AUTO INDICATOR	48	HR
80	NOT IN AUTO INDICATOR	49	HR
80	NOT IN AUTO INDICATOR	50	HR
80	NOT IN AUTO INDICATOR	51	HR
80	NOT IN AUTO INDICATOR	52	HR
80	NOT IN AUTO INDICATOR	53	HR
80	NOT IN AUTO INDICATOR	54	HR
80	NOT IN AUTO INDICATOR	55	HR
80	NOT IN AUTO INDICATOR	56	HR
80	NOT IN AUTO INDICATOR	57	HR
80	NOT IN AUTO INDICATOR	58	HR
80	NOT IN AUTO INDICATOR	59	HR
80	NOT IN AUTO INDICATOR	60	HR
80	NOT IN AUTO INDICATOR	61	HR
80	NOT IN AUTO INDICATOR	62	HR
80	NOT IN AUTO INDICATOR	63	HR
80	NOT IN AUTO INDICATOR	64	HR
80	NOT IN AUTO INDICATOR	65	HR
80	NOT IN AUTO INDICATOR	66	HR
80	NOT IN AUTO INDICATOR	67	HR
80	NOT IN AUTO INDICATOR	68	HR
80	NOT IN AUTO INDICATOR	69	HR
80	NOT IN AUTO INDICATOR	70	HR
80	NOT IN AUTO INDICATOR	71	HR
80	NOT IN AUTO INDICATOR	72	HR
80	NOT IN AUTO INDICATOR	73	HR
80	NOT IN AUTO INDICATOR	74	HR
80	NOT IN AUTO INDICATOR	75	HR
80	NOT IN AUTO INDICATOR	76	HR
80	NOT IN AUTO INDICATOR	77	HR
80	NOT IN AUTO INDICATOR	78	HR
80	NOT IN AUTO INDICATOR	79	HR
80	NOT IN AUTO INDICATOR	80	HR
80	NOT IN AUTO INDICATOR	81	HR
80	NOT IN AUTO INDICATOR	82	HR
80	NOT IN AUTO INDICATOR	83	HR
80	NOT IN AUTO INDICATOR	84	HR
80	NOT IN AUTO INDICATOR	85	HR
80	NOT IN AUTO INDICATOR	86	HR
80	NOT IN AUTO INDICATOR	87	HR
80	NOT IN AUTO INDICATOR	88	HR
80	NOT IN AUTO INDICATOR	89	HR
80	NOT IN AUTO INDICATOR	90	HR
80	NOT IN AUTO INDICATOR	91	HR
80	NOT IN AUTO INDICATOR	92	HR
80	NOT IN AUTO INDICATOR	93	HR
80	NOT IN AUTO INDICATOR	94	HR
80	NOT IN AUTO INDICATOR	95	HR
80	NOT IN AUTO INDICATOR	96	HR
80	NOT IN AUTO INDICATOR	97	HR
80	NOT IN AUTO INDICATOR	98	HR
80	NOT IN AUTO INDICATOR	99	HR
80	NOT IN AUTO INDICATOR	100	HR



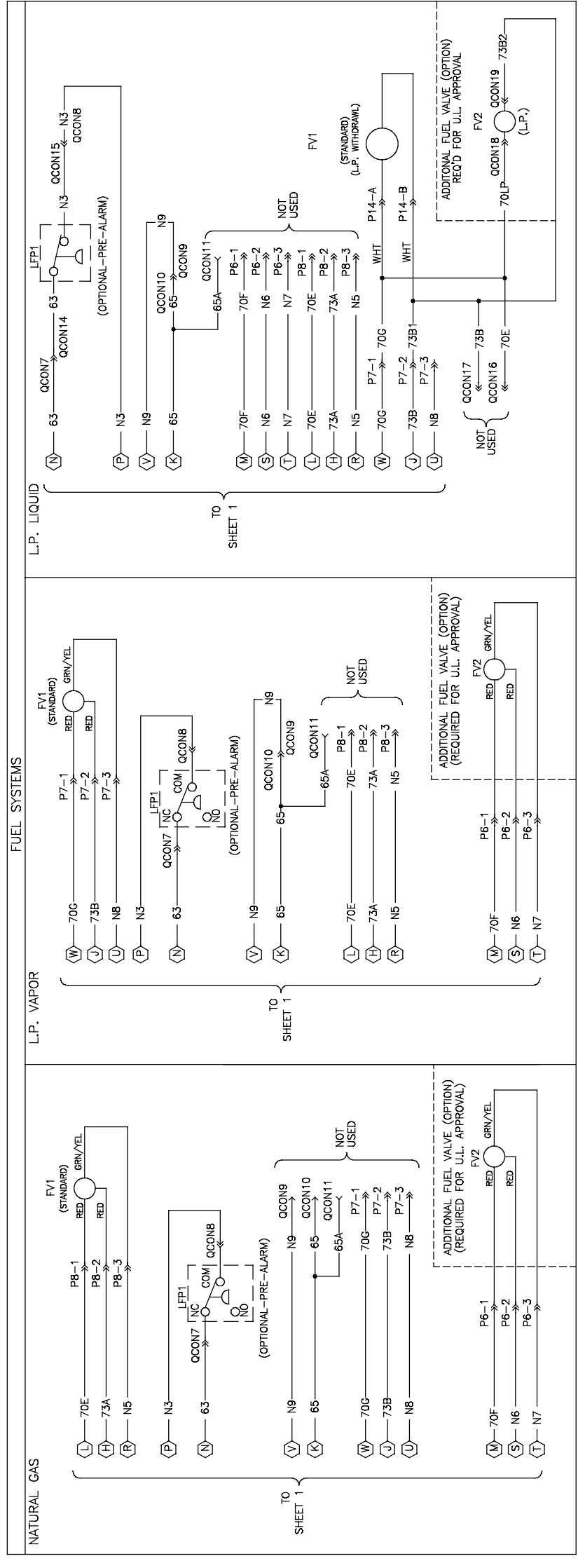
KOHLER CO.
 POWER SYSTEMS, KOHLER, WI 53044 U.S.A.
 THIS DRAWING IS REPRODUCED FROM THE ORIGINAL DRAWING AND IS NOT VALID FOR REVISIONS OR MODIFICATIONS. ALL RIGHTS OF INVENTION ARE RESERVED.
 THIS DRAWING IS THE PROPERTY OF KOHLER CO. IT IS TO BE USED ONLY FOR THE PROJECT AND LOCATION SPECIFIED. IT IS NOT TO BE REPRODUCED OR COPIED IN ANY MANNER WITHOUT THE WRITTEN PERMISSION OF KOHLER CO.

DIAGRAM SCHEMATIC
 GM 50-150KW
 ADV-7738

DATE: 6-23-09
 DRAWN: DKS
 CHECKED: DKS
 APPROVED: DKS

DEC 3+ W/ ECM
 5.0-8.1L ENGINES
 GM GAS 50-150KW
 SPLIT ACTIVATOR 1Ø, 3Ø & 600V

REV	DATE	REVISION	BY
B	1-6-10	(C & D-2 THRU -4) L.P. LIQUID WIRING REVISED TO REFLECT CHANGES MADE TO WIRING DIAGRAM & L.P. LIQUID EXTENSION HARNESS; (A & B-1 THRU -4) WIRING DIAGRAM FOR 5.7L TURBO DUAL FUEL ADDED & SEE SHEET 1 [89007]	DFS
C	3-10-10	(A-1) SHEET 2-6 WAS 2-2 & DUAL FUEL SYSTEMS MOVED SHEET 3 [89392]	DFS



DATE	REV	DESCRIPTION
6-23-06	1	ISSUED
6-24-06	2	REVISED
6-24-06	3	REVISED
6-24-06	4	REVISED
6-24-06	5	REVISED
6-24-06	6	REVISED
6-24-06	7	REVISED
6-24-06	8	REVISED
6-24-06	9	REVISED
6-24-06	10	REVISED

DEC 3+ W/ ECM
5.0-8.1L ENGINES
GM GAS 50-150KW
SPLIT ACTIVATOR 1φ, 3φ & 600V

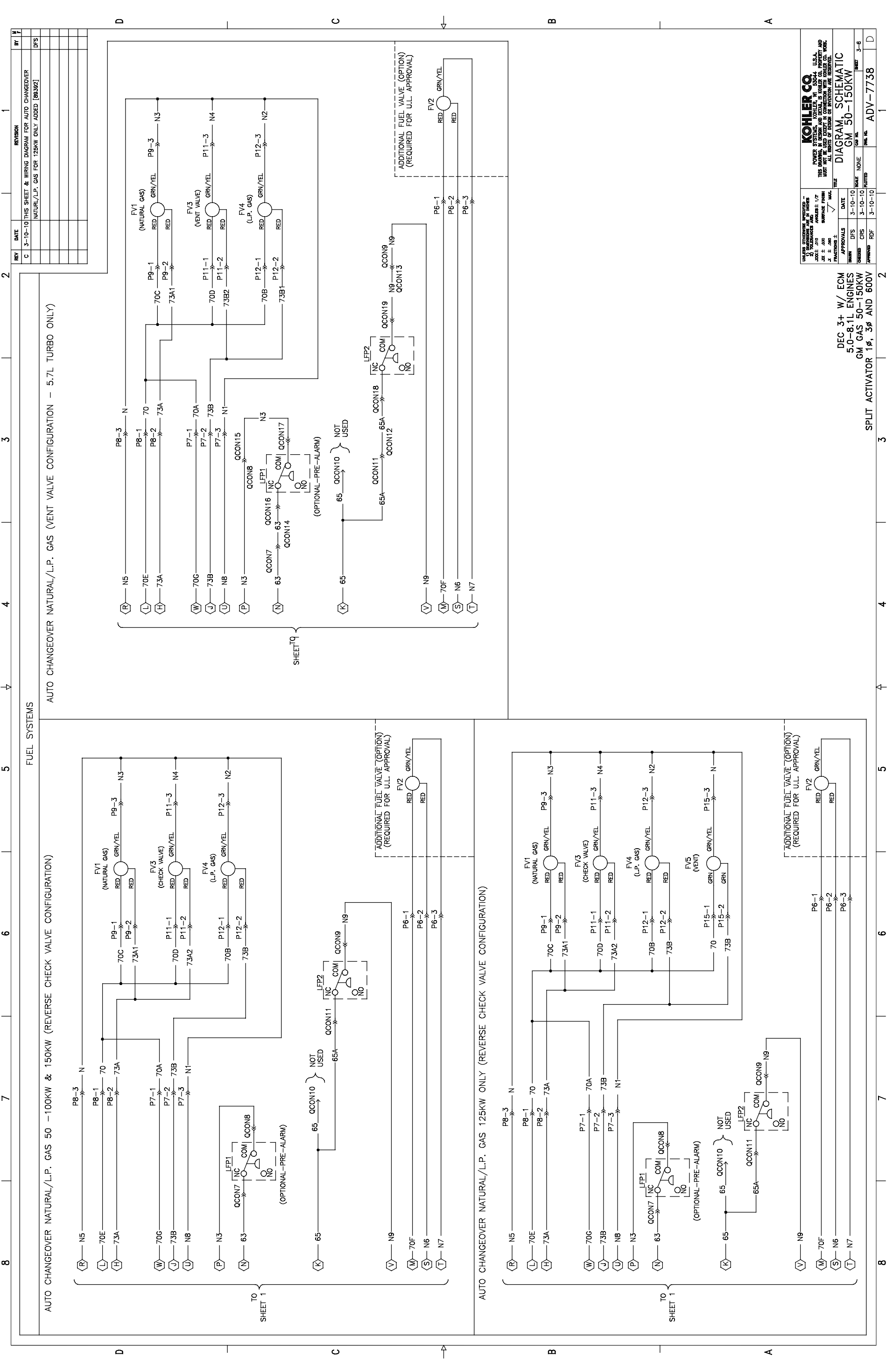
KOHLER CO.
POWER SYSTEMS, KOHLER, WI 53044 U.S.A.
THIS DRAWING IS THE PROPERTY OF KOHLER CO. AND IS NOT TO BE REPRODUCED OR TRANSMITTED IN ANY FORM OR BY ANY MEANS, ELECTRONIC OR MECHANICAL, INCLUDING PHOTOCOPYING, RECORDING, OR BY ANY INFORMATION STORAGE AND RETRIEVAL SYSTEM, WITHOUT THE WRITTEN PERMISSION OF KOHLER CO.

DIAGRAM SCHEMATIC
GM 50-150 KW

ADV-7738

TP-6712 2/12

36 Wiring Diagrams



FUEL SYSTEMS

AUTO CHANGEOVER NATURAL/L.P. GAS 50 -100KW & 150KW (REVERSE CHECK VALVE CONFIGURATION)

AUTO CHANGEOVER NATURAL/L.P. GAS 125KW ONLY (REVERSE CHECK VALVE CONFIGURATION)

AUTO CHANGEOVER NATURAL/L.P. GAS (VENT VALVE CONFIGURATION - 5.7L TURBO ONLY)

AUTO CHANGEOVER NATURAL/L.P. GAS (NATURAL GAS)

TO SHEET 1

OPTIONAL - PRE-ALARM

NOT USED

ADDITIONAL FUEL VALVE (OPTION) (REQUIRED FOR U.L. APPROVAL)

TO SHEET 1

OPTIONAL - PRE-ALARM

NOT USED

ADDITIONAL FUEL VALVE (OPTION) (REQUIRED FOR U.L. APPROVAL)

TO SHEET 1

OPTIONAL - PRE-ALARM

NOT USED

ADDITIONAL FUEL VALVE (OPTION) (REQUIRED FOR U.L. APPROVAL)

TO SHEET 1

OPTIONAL - PRE-ALARM

NOT USED

ADDITIONAL FUEL VALVE (OPTION) (REQUIRED FOR U.L. APPROVAL)

TO SHEET 1

OPTIONAL - PRE-ALARM

NOT USED

ADDITIONAL FUEL VALVE (OPTION) (REQUIRED FOR U.L. APPROVAL)

TO SHEET 1

OPTIONAL - PRE-ALARM

NOT USED

ADDITIONAL FUEL VALVE (OPTION) (REQUIRED FOR U.L. APPROVAL)

TO SHEET 1

OPTIONAL - PRE-ALARM

NOT USED

ADDITIONAL FUEL VALVE (OPTION) (REQUIRED FOR U.L. APPROVAL)

TO SHEET 1

OPTIONAL - PRE-ALARM

NOT USED

ADDITIONAL FUEL VALVE (OPTION) (REQUIRED FOR U.L. APPROVAL)

TO SHEET 1

OPTIONAL - PRE-ALARM

NOT USED

ADDITIONAL FUEL VALVE (OPTION) (REQUIRED FOR U.L. APPROVAL)

TO SHEET 1

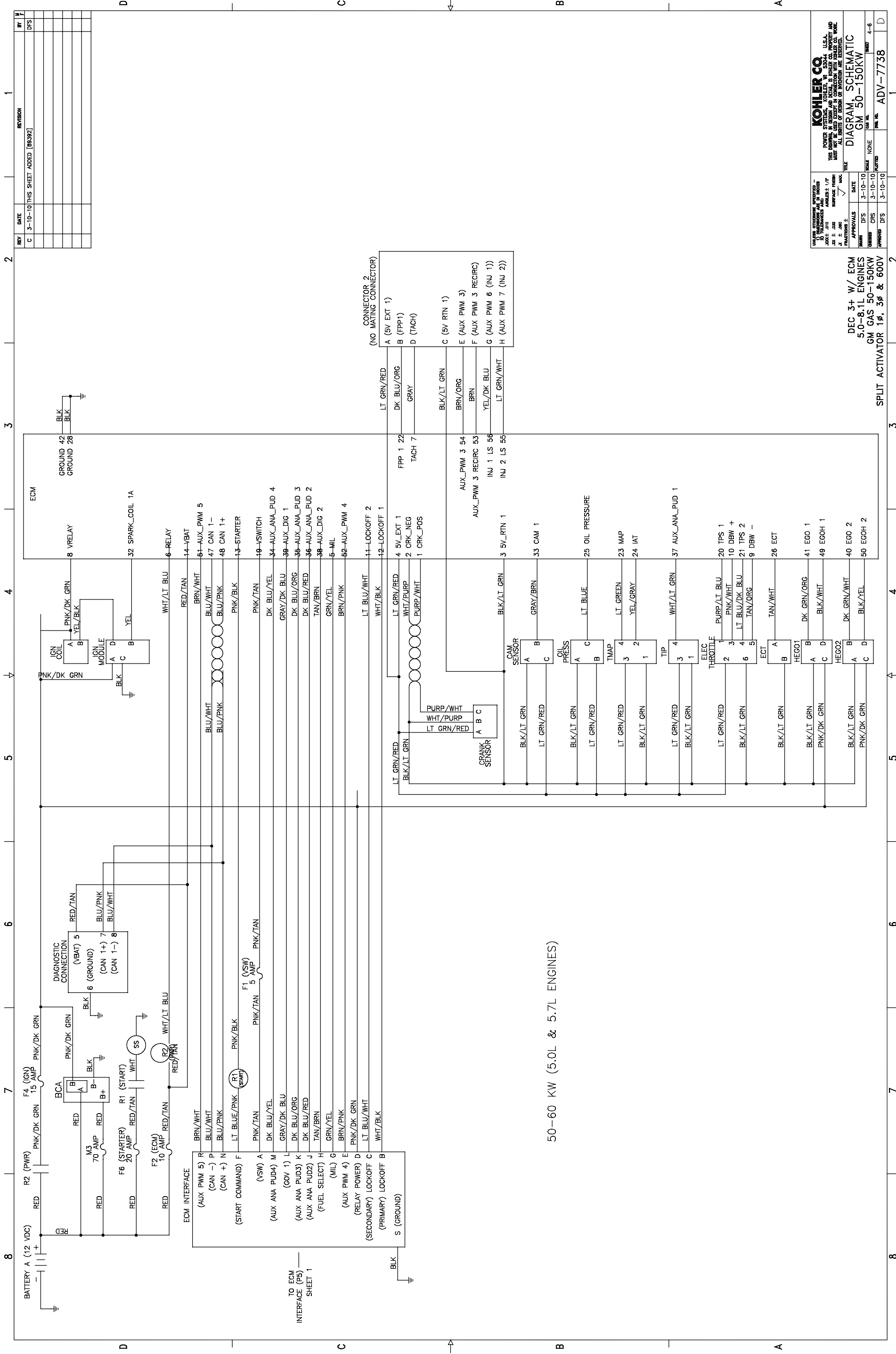
OPTIONAL - PRE-ALARM

NOT USED

ADDITIONAL FUEL VALVE (OPTION) (REQUIRED FOR U.L. APPROVAL)

UNITED STATES PATENT AND TRADEMARK OFFICE REG. NO. 3,811,172 CLASS. 281-100 DIV. OF COMMERCE WASHINGTON, D.C. 20540	KOHLER CO. POWER SYSTEMS KOHLER, WI 53044 U.S.A. THIS DRAWING IS THE PROPERTY OF KOHLER CO. AND ALL RIGHTS OF DESIGN OR INVENTION ARE RESERVED.
TITLE DIAGRAM SCHEMATIC	PART NO. GM 50-150KW
DATE 3-10-10	REV. NO. ADV-7738
DRAWN CFS	CHECKED CFS
DESIGNED CFS	APPROVED CFS
SHEET 3-6	OF 3-6

DEC 3+ W/ ECM
 5.0-8.1L ENGINES
 GM GAS 50-150KW
 SPLIT ACTIVATOR 1φ, 3φ AND 600V



REV	DATE	REVISION	BY
C	3-10-10	THIS SHEET ADDED [89392]	DPS

DEC 3+ W/ ECM
5.0-8.1L ENGINES
GM GAS 50-150KW
SPLIT ACTIVATOR 1φ, 3φ & 600V

KOHLER CO.
POWER SYSTEMS, KOHLER, WI 53044 U.S.A.
THIS DRAWING IS REPRODUCED FROM THE ORIGINAL DRAWING AND IS NOT TO BE USED FOR REPRODUCTION OR REVISION.
ALL RIGHTS OF DESIGN OR INVENTION ARE RESERVED.

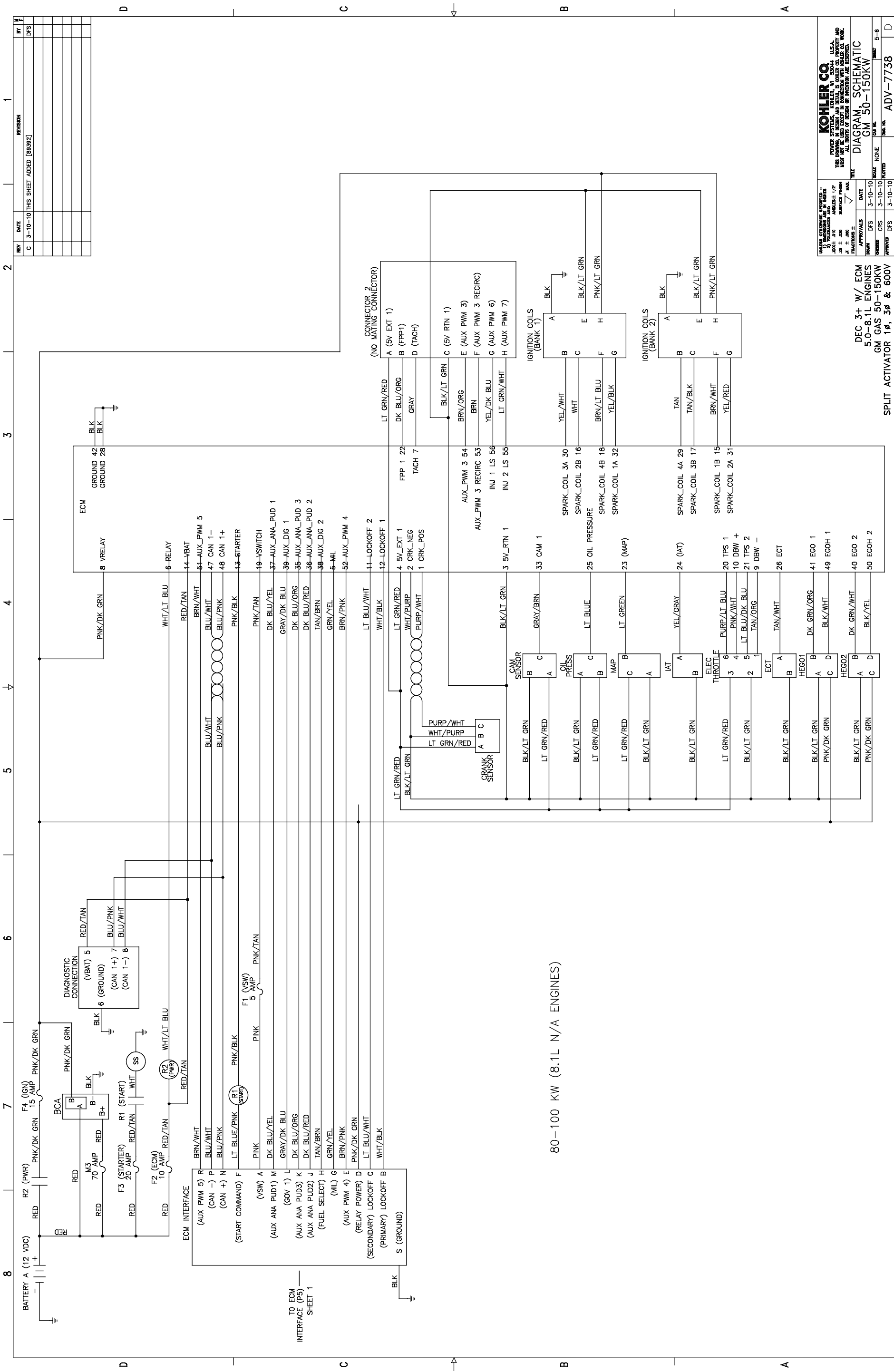
DATE	3-10-10
DESIGNED	DPS
CHECKED	DPS
APPROVED	DPS
DATE	3-10-10
DESIGNED	DPS
CHECKED	DPS
APPROVED	DPS
DATE	3-10-10
DESIGNED	DPS
CHECKED	DPS
APPROVED	DPS

DIAGRAM SCHEMATIC
GM 50-150KW

ADVISE COORDINATING DEPARTMENT OF ALL CHANGES TO THIS DRAWING. ALL CHANGES MUST BE APPROVED BY THE DESIGNER OR HIS SUPERVISOR. ALL RIGHTS OF DESIGN OR INVENTION ARE RESERVED.

DATE 3-10-10
DESIGNED DPS
CHECKED DPS
APPROVED DPS

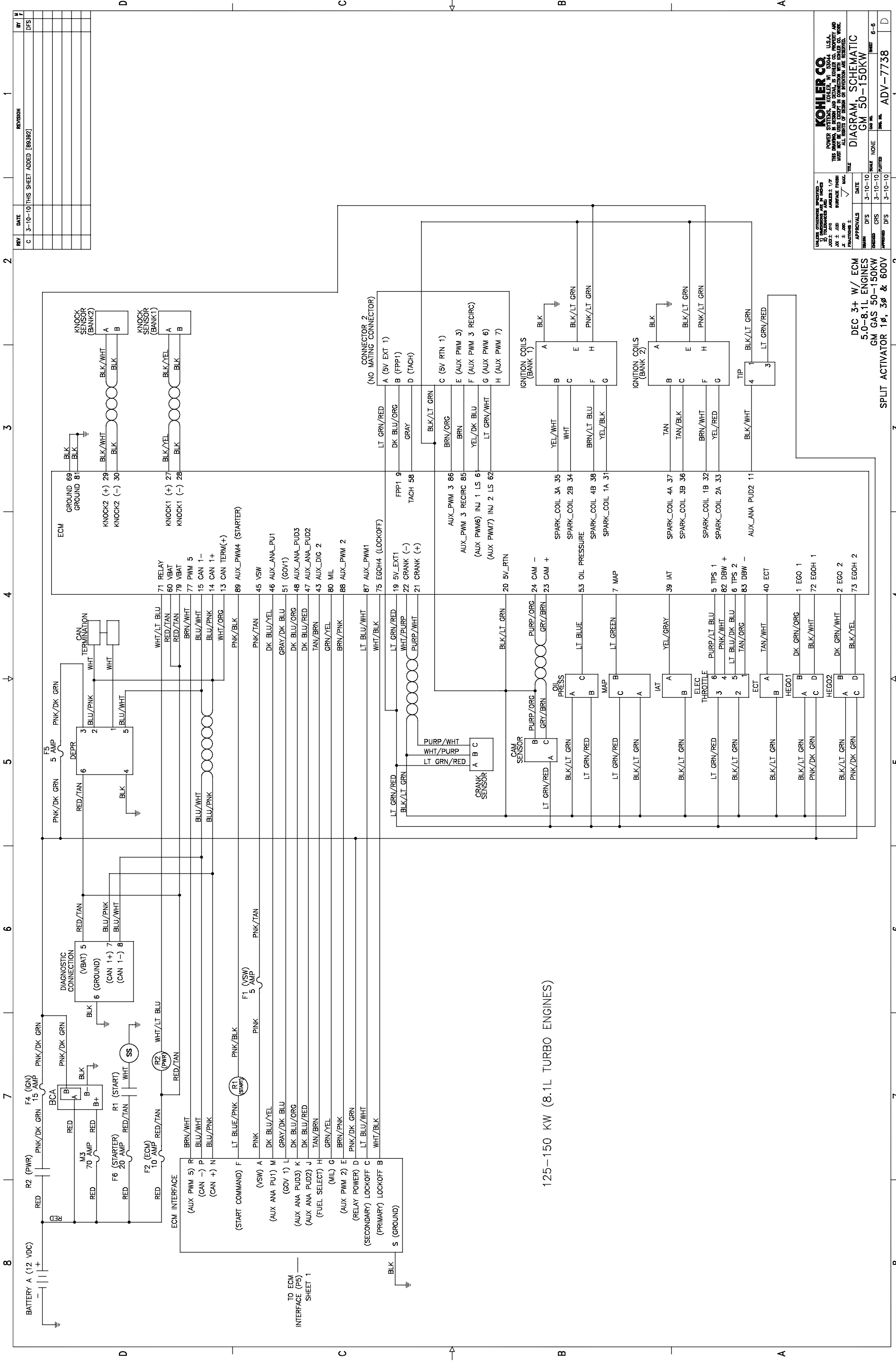
DATE 3-10-10
DESIGNED DPS
CHECKED DPS
APPROVED DPS



80-100 KW (8.1L N/A ENGINES)

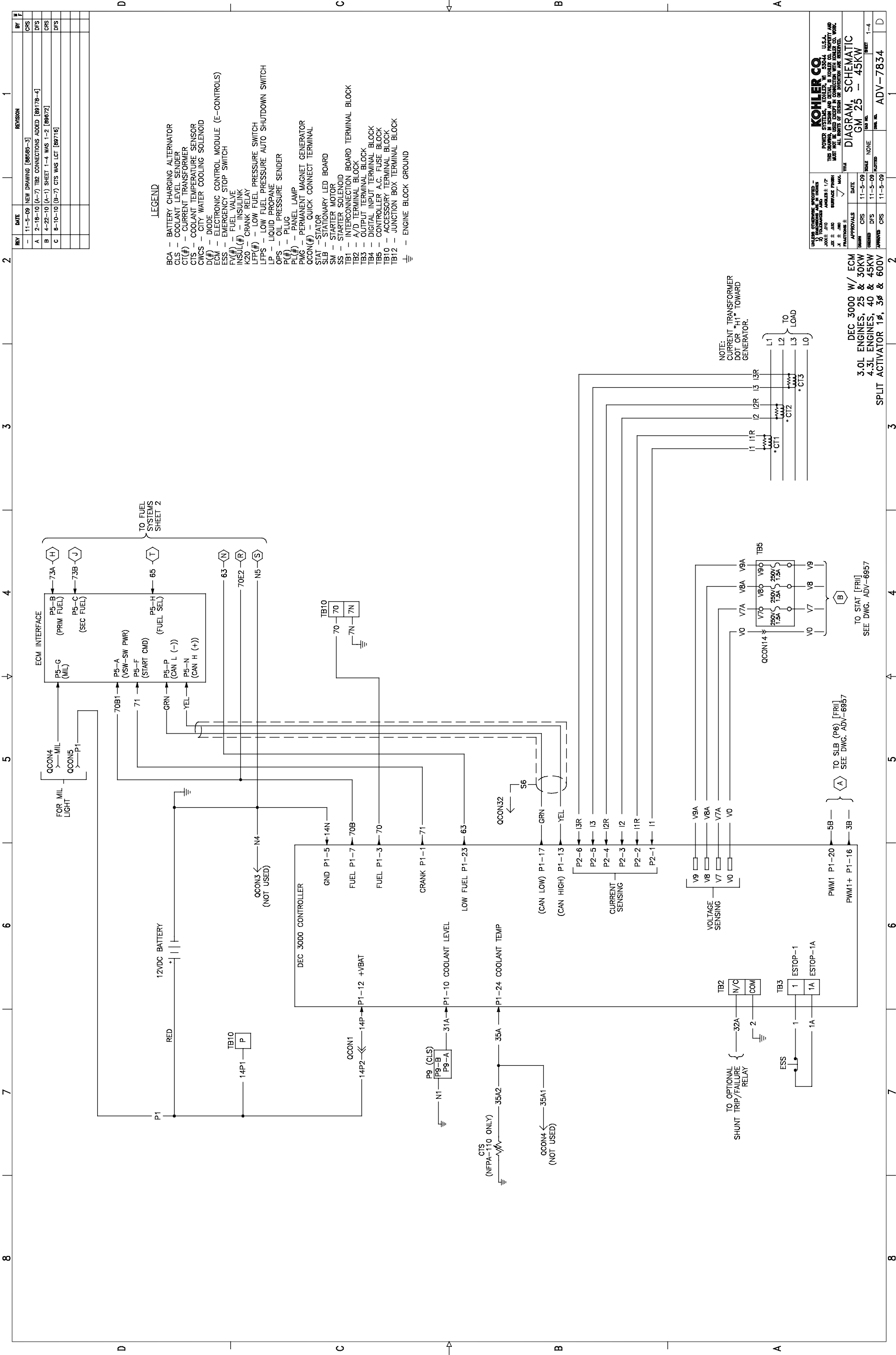
KOHLER CO. POWER SYSTEMS, KOHLER, WI, 53044, U.S.A. THIS DRAWING IS FOR INFORMATION ONLY. NO LIABILITY IS ASSUMED FOR ANY ERRORS OR OMISSIONS. ALL RIGHTS OF INVENTION ARE RESERVED.	
DATE	3-10-10
DESIGNED BY	DPS
CHECKED BY	DPS
APPROVED BY	DPS
REVISED	3-10-10
ISSUE NO.	1
DRAWING NO.	ADV-7738
SHEET NO.	5-6
TOTAL SHEETS	6

DEC 3+ W/ ECM
 5.0-8.1L ENGINES
 GM GAS 50-150KW
 SPLIT ACTIVATOR 1Ø, 3Ø & 600V



REV	DATE	REVISION	BY
C	3-10-10	THIS SHEET ADDED [88392]	DFS

DESIGNED	DATE	BY
CHECKED	DATE	BY
APPROVED	DATE	BY



LEGEND

BCA — BATTERY CHARGING ALTERNATOR
 CLS — COOLANT LEVEL SENDER
 CT(#) — CURRENT TRANSFORMER
 CTS — COOLANT TEMPERATURE SENSOR
 CWCS — CITY WATER COOLING SOLENOID
 D(#) — DIODE
 ECM — ELECTRONIC CONTROL MODULE (E-CONTROLS)
 ESS — EMERGENCY STOP SWITCH
 FV(#) — FUEL VALVE
 INSUL(#) — INSULINK
 K20 — CRANK RELAY
 LFP(#) — LOW FUEL PRESSURE SWITCH
 LFPS — LOW FUEL PRESSURE AUTO SHUTDOWN SWITCH
 LP — LIQUID PROPANE
 OPS — OIL PRESSURE SENDER
 P(#) — PLUG
 PL(#) — PANEL LAMP
 PMG — PERMANENT MAGNET GENERATOR
 QCON(#) — QUICK CONNECT TERMINAL
 STAT — STATOR
 SW — SWITCH
 SSB — STARTER SOLENOID
 SS — STARTER MOTOR
 SSI — STARTER INTERLOCK
 TB1 — INTERCONNECTION BOARD TERMINAL BLOCK
 TB2 — A/D TERMINAL BLOCK
 TB3 — OUTPUT TERMINAL BLOCK
 TB4 — DIGITAL INPUT TERMINAL BLOCK
 TB5 — CONTROLLER A.C. FUSE BLOCK
 TB10 — ACCESSORY TERMINAL BLOCK
 TB12 — JUNCTION BOX TERMINAL BLOCK
 ≡ — ENGINE BLOCK GROUND

REV	DATE	REVISION	BY
-	11-5-09	NEW DRAWING [89895-3]	CRS
A	2-18-10	(A-7) TBE CONNECTIONS ADDED [89178-4]	DPS
B	4-22-10	(A-1) SHEET 1-4 WAS 1-2 [89872]	CRS
C	8-10-10	(B-7) CTS WAS LCT [89716]	DPS

APPROVALS	DATE	SCALE	NO.	SHEET
DESIGN	CRS	11-5-09		1-4
CHECKED	DPS	11-5-09		
APPROVED	CRS	11-5-09		

KOHLER CO.
 POWER SYSTEMS AND CONTROLS
 1000 N. 10TH ST., MILWAUKEE, WI 53217
 U.S.A.
 THIS DRAWING IS THE PROPERTY OF KOHLER CO. IT IS NOT TO BE REPRODUCED OR TRANSMITTED IN ANY FORM OR BY ANY MEANS, ELECTRONIC OR MECHANICAL, WITHOUT THE WRITTEN PERMISSION OF KOHLER CO.
 ALL RIGHTS OF DESIGN OR INVENTION ARE RESERVED.

DIAGRAM: SCHEMATIC
GM 25 - 45KW

UNLESS OTHERWISE SPECIFIED -
 1) DIMENSIONS ARE IN INCHES
 2) TOLERANCES ARE:
 .0005 - .0010 ANGLES: 1/2°
 .002 - .010 SURFACE FINISH
 .010 - .030 HOLE POSITION AND DIA.
 .015 - .030 HOLE POSITION AND DIA. PERPENDICULAR TO SURFACE

DEC 3000 W/ ECM
 3.0L ENGINES, 25 & 30KW
 4.3L ENGINES, 40 & 45KW
 SPLIT ACTIVATOR 1φ, 3φ & 600V

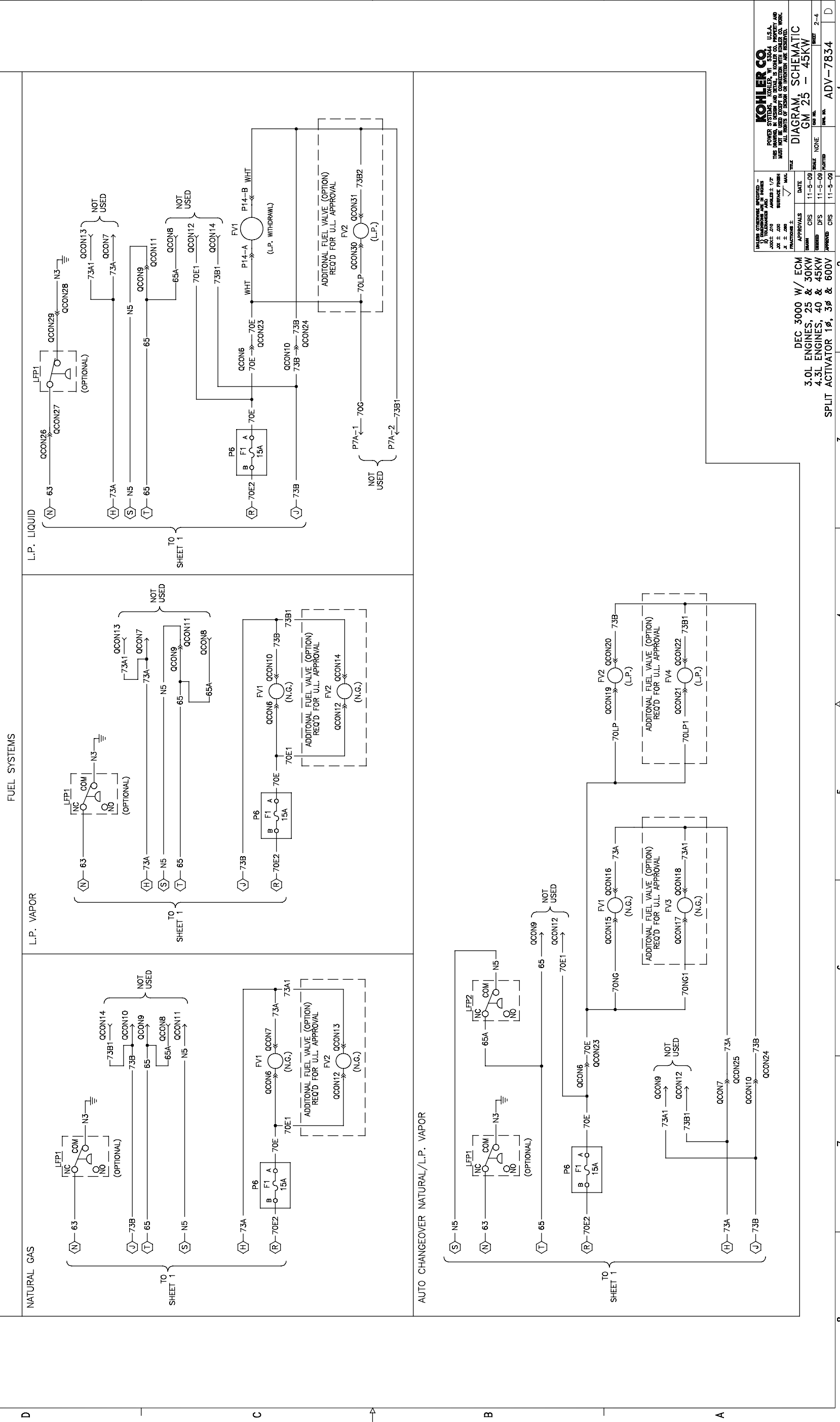
NOTE:
 CURRENT TRANSFORMER
 DOT OR "H1" TOWARD
 GENERATOR.

TO STAT [FRI]
 SEE DWG. ADV-6957

TO SLB (P6) [FRI]
 SEE DWG. ADV-6957

2 3 4 5 6 7 8

REV	DATE	REVISION	BY
-	11-5-09	NEW DRAWING [88989-3]	CRS
A	2-18-10	SEE SHEET 1 [89178-4]	DPS
B	4-22-10	(A-1) SHEET 2-4 W/S 2-2 [89972]	CRS
C	6-10-10	SEE SHEET 1 [89716]	DPS



APPROVALS	DATE	SCALE	NO. OF SHEETS
DESIGNED	11-5-09	1:1	2-4
CHECKED	11-5-09		
DRAWN	11-5-09		
APPROVED	11-5-09		

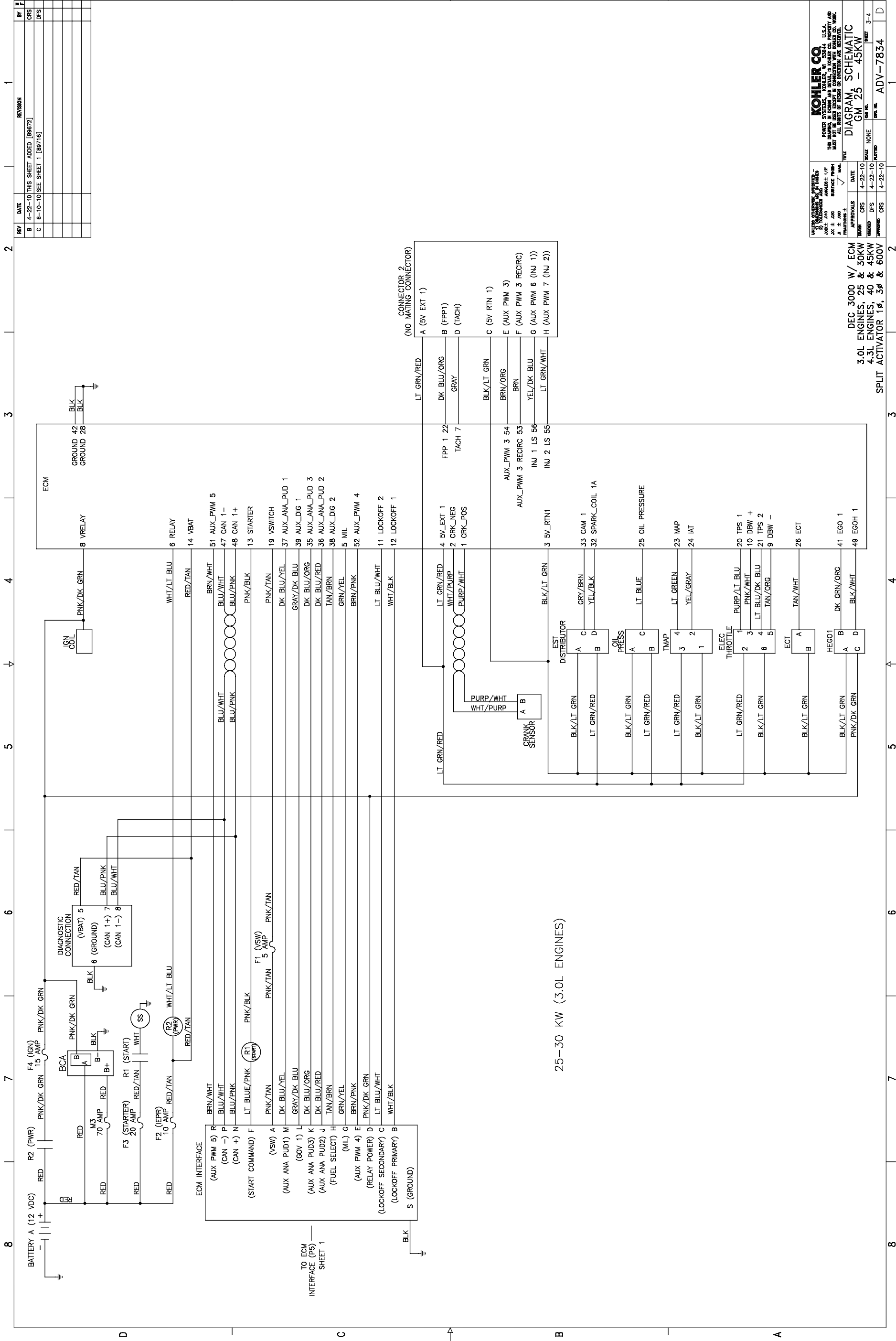
UNLESS OTHERWISE SPECIFIED -
 1) DIMENSIONS ARE IN INCHES
 2) TOLERANCES ARE:
 FRACTIONS ± .005
 DECIMALS ± .010
 ANGLES ± 1/2°
 SURFACE FINISH
 UNLESS OTHERWISE SPECIFIED -
 ALL DIMENSIONS OF DESIGN OR CONSTRUCTION ARE IDENTICAL.

KOHLER CO. U.S.A.
 POWER SYSTEMS DIVISION
 1000 N. CENTRAL AVENUE
 MILWAUKEE, WI 53212 U.S.A.
 THIS DRAWING IS THE PROPERTY OF KOHLER CO. IT IS TO BE USED ONLY IN CONNECTION WITH KOHLER CO. WORK.
 ALL RIGHTS OF DESIGN OR CONSTRUCTION ARE RESERVED.

DEC 3000 W/ ECM
 3.0L ENGINES, 25 & 30KW
 4.3L ENGINES, 40 & 45KW
 SPLIT ACTIVATOR 1φ, 3φ & 600V

DIAGRAM, SCHEMATIC
 GM 25 - 45KW

ADV-7834



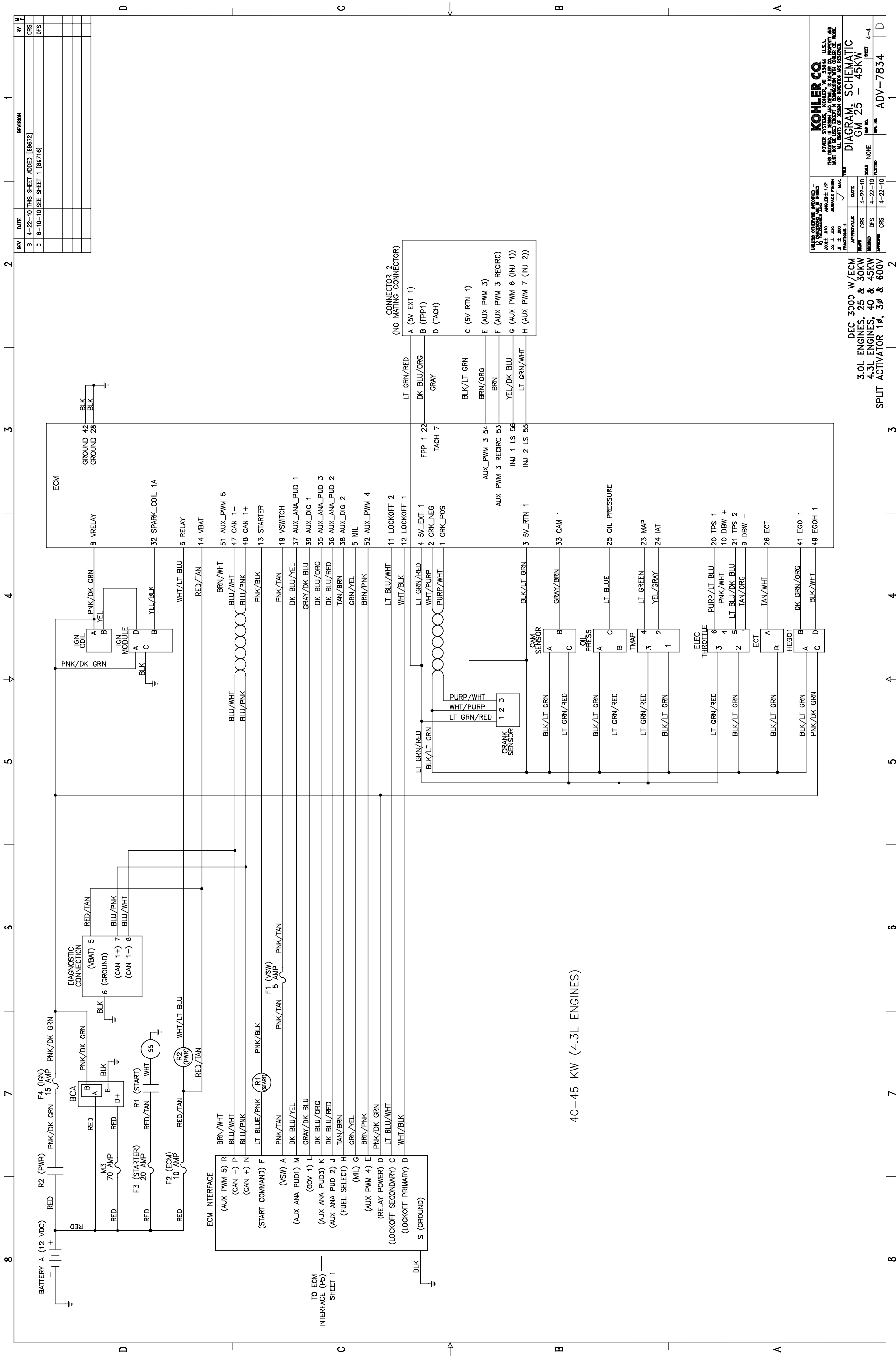
25-30 KW (3.0L ENGINES)

REV	DATE	REVISION	BY
B	4-22-10	THIS SHEET ADDED [89672]	CRS
C	8-10-10	SEE SHEET 1 [89716]	DPS

UNLESS OTHERWISE SPECIFIED -		DATE	
1) TOLERANCES UNLESS NOTED	DATE	4-22-10	3-4
2) DIMENSIONS IN INCHES	APPROVALS	4-22-10	
3) DIMENSIONS IN MILLIMETERS	DESIGN	4-22-10	
4) SURFACE FINISH	CRS	4-22-10	
5) HOLE FINISH	DPS	4-22-10	
6) THREADS	CRS	4-22-10	
7) ALL DIMENSIONS OF TOLERANCE UNLESS OTHERWISE SPECIFIED	APPROVED	4-22-10	

KOHLER CO. U.S.A.
 POWER SYSTEMS GROUP
 THIS DRAWING IS THE PROPERTY OF KOHLER CO. IT IS TO BE USED ONLY IN CONNECTION WITH KOHLER CO. WORK.
 ALL RIGHTS OF DESIGN OR INVENTION ARE RESERVED.
DIAGRAM SCHEMATIC
GM 25 - 45KW
 SCALE NONE
 SHEET 3-4
 ADV-7834

DEC 3000 W/ ECM
 3.0L ENGINES, 25 & 30KW
 4.3L ENGINES, 40 & 45KW
 SPLIT ACTIVATOR 19, 30 & 600V



REV	DATE	REVISION	BY
B	4-22-10	THIS SHEET ADDED [89672]	CRS
C	6-10-10	SEE SHEET 1 [89716]	DPS

UNLESS OTHERWISE SPECIFIED -		DATE	SCALE	NO. OF SHEETS
3) TOLERANCES UNLESS INDICATED	DATE	4-22-10	4-22-10	4-4
4) DIMENSIONS UNLESS INDICATED	SCALE	AS SHOWN	AS SHOWN	AS SHOWN
5) DIMENSIONS UNLESS INDICATED	NO. OF SHEETS	4-22-10	4-22-10	4-4
6) DIMENSIONS UNLESS INDICATED	NO. OF SHEETS	4-22-10	4-22-10	4-4

KOHLER CO. U.S.A.
 POWER SYSTEMS AND CONTROLS DIVISION
 THIS DRAWING IS THE PROPERTY OF KOHLER CO. IT IS TO BE USED ONLY IN CONNECTION WITH THE EQUIPMENT AND PARTS LISTED THEREON. ALL RIGHTS OF DESIGN OR INVENTION ARE RESERVED.
 TITLE: **DIAGRAM, SCHEMATIC**
 GM 25 - 45KW
 SCALE: NONE
 REV. NO. ADV-7834
 SHEET 4-4

DEC 3000 W/ECM
 3.0L ENGINES, 25 & 30KW
 4.3L ENGINES, 40 & 45KW
 SPLIT ACTIVATOR 1 ϕ , 3 ϕ & 600V

REV	DATE	REVISION	BY
B	4-22-10	THIS SHEET ADDED [89672]	CRS
C	6-10-10	SEE SHEET 1 [89716]	DPS

REV	DATE	REVISION	BY
B	2-18-10	(A-1) SHEET 1-3 WAS 1-2; (A-7) TB2 CONNECTIONS ADDED & SEE SHEET 3 [89178-4]	DPS
C	4-22-10	(A-1) SHEET 1-6 WAS 1-3 [89672]	DPS
D	5-13-10	SEE SHEET 3 [89178-7]	DPS
E	8-14-10	(B-8) CTS SYMBOL REVISED TO SHOW RESISTIVE SENSOR	DPS
F	10-13-11	SEE SHEET 4 [90228]	LWK

- LEGEND**
- BCA - BATTERY CHARGING ALTERNATOR
 - CLS - COOLANT LEVEL SENDER
 - CT(#)- CURRENT TRANSFORMER
 - CVCS - CITY WATER COOLING SOLENOID
 - DI(#)- DIODE
 - ECM - ELECTRONIC CONTROL MODULE (E-CONTROLS)
 - EMERGENCY STOP SWITCH
 - INSU(L)#- INSULATION
 - K20 - CRANK RELAY
 - LCT - LOW COOLANT TEMPERATURE SWITCH
 - LFP(#)- LOW FUEL PRESSURE SWITCH
 - LP - LIQUID PROPANE
 - OPS - OIL PRESSURE SENDER
 - P(#)- PLUG
 - P(#)- PANEL LAMP
 - PNG - PERMANENT MAGNET GENERATOR
 - QCON(#)- QUICK CONNECT TERMINAL
 - STAT - STATOR
 - SLB - STATIONARY LED BOARD
 - SM - STARTER SOLENOID
 - SS - STARTER SOLENOID
 - TB1 - INTERCONNECTION BOARD TERMINAL BLOCK
 - TB2 - A/D TERMINAL BLOCK
 - TB3 - OUTPUT TERMINAL BLOCK
 - TB4 - DIGITAL INPUT TERMINAL BLOCK
 - TB5 - CONTROLLER A.C. FUSE BLOCK
 - TB10 - ACCESSORY TERMINAL BLOCK
 - TB12 - JUNCTION BOX TERMINAL BLOCK
 - ⊥ - ENGINE BLOCK GROUND

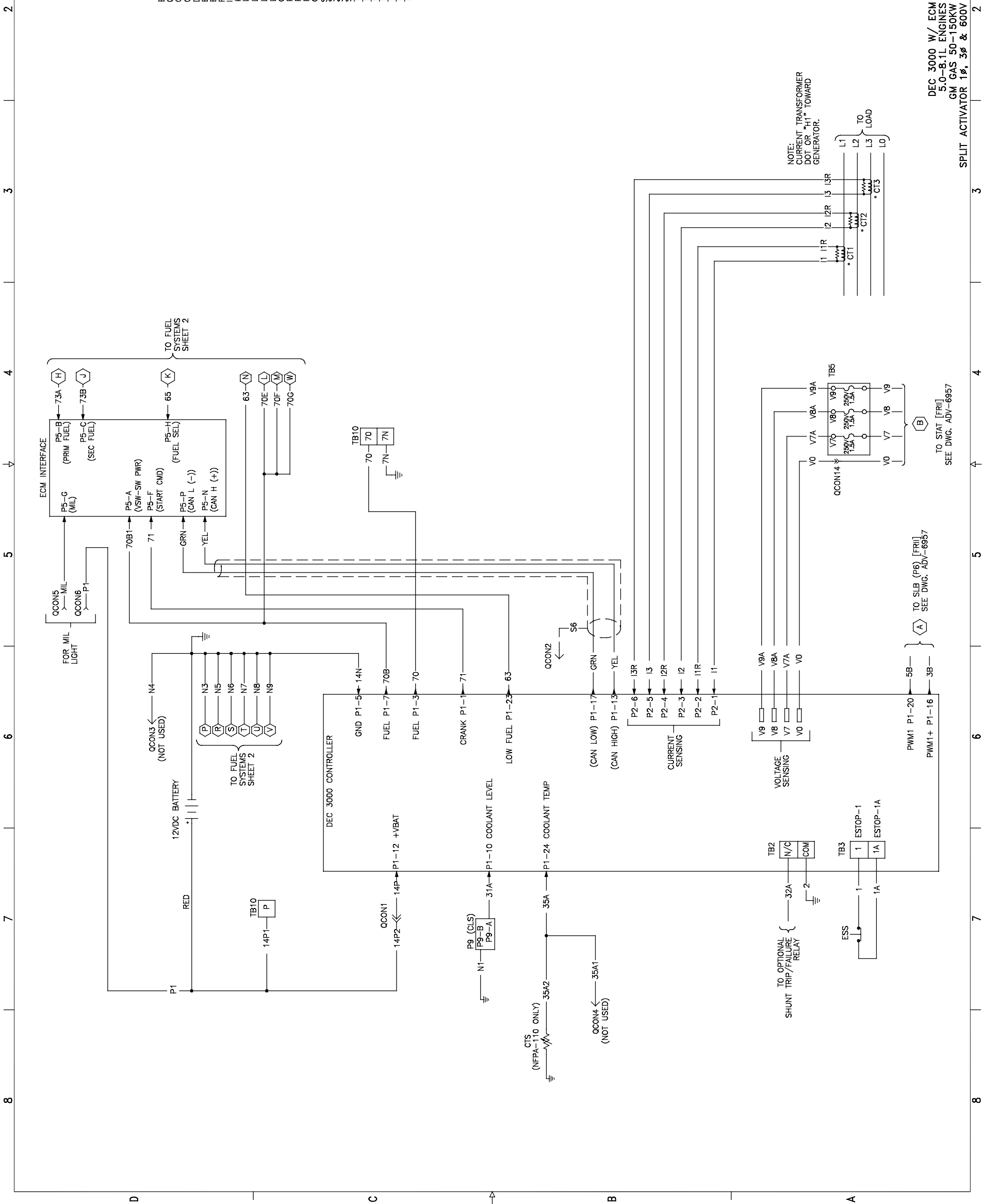
APPROVALS	DATE	SCALE	NOISE	REV. NO.	SHEET	TOTAL
DESIGNED	DPS	11-6-09			1-6	
CHECKED	DPS	11-6-09				
APPROVED	CDS	11-6-09				

KOHLER CO.
POWER SYSTEMS, KOHLER, WI 53044 U.S.A.
THIS DRAWING IS BEING AND SHALL BE KEPT AS COMPANY PROPERTY AND NOT BE LOANED, REPRODUCED, COPIED, OR IN ANY MANNER BE MADE PUBLIC WITHOUT THE WRITTEN PERMISSION OF KOHLER CO.

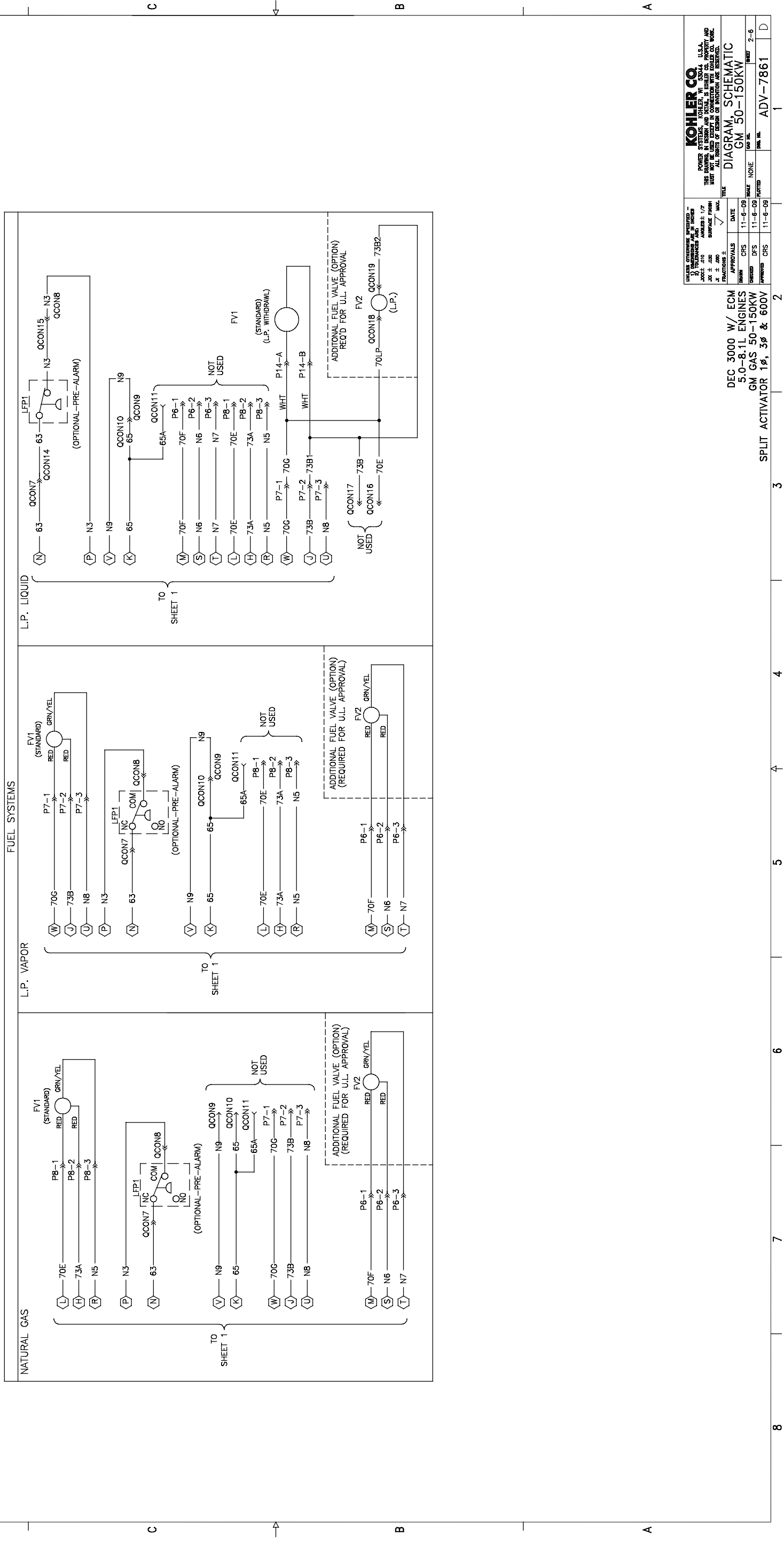
DIAGRAM SCHEMATIC
GM 50-150KW

DATE: 11-6-09
SCALE: NONE
REV. NO.: ADV-7861
SHEET: 1-6

DEC 3000 W/ ECM
5.0-8.1L ENGINES
GM GAS 50-150KW
SPLIT ACTIVATOR 1φ, 3φ & 600V



REV	DATE	REVISION	BY
B	2-18-10	(A-1) SHEET 2-3 WAS 2-2; AUTO CHANGED OVER NATURAL/L.P. GAS FUEL SYSTEMS MOVED TO SHEET 3 & SEE SHEETS 1 & 3 [88178-4] DFS	
C	4-22-10	(A-1) SHEET 2-6 WAS 2-3 [88672]	DFS
D	5-13-10	SEE SHEET 3 [88178-7]	DFS
E	6-14-10	SEE SHEET 1 [88176]	DFS
F	10-13-10	SEE SHEET 4 [90228]	LINK



DESIGNED BY	DATE	REVISION	BY
DESIGNED	11-6-08		DFS
APPREVED	11-6-08		CRS

TITLE	DATE	NO. IN	SHEET
DIAGRAM SCHEMATIC	11-6-08		2-6
GM 50-150KW			

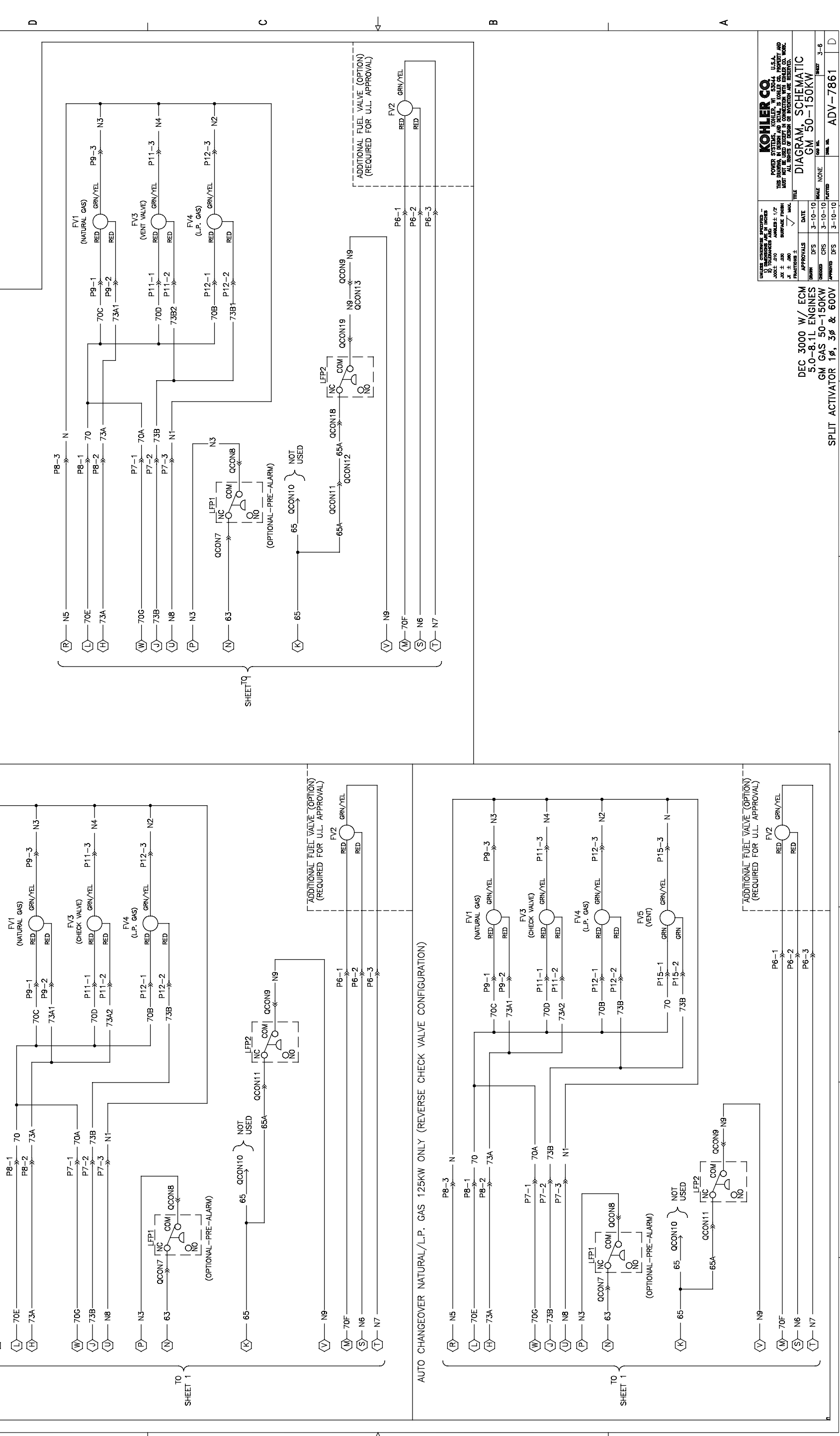
KOHLER CO.
POWER SYSTEMS, KOHLER, WI 53044 U.S.A.
THIS DRAWING IS PART OF THE EQUIPMENT AND SHALL BE KEPT WITH IT. ALL RIGHTS OF DESIGN OR INVENTION ARE RESERVED.

DEC 3000 W/ ECM
5.0-8.1L ENGINES
GM GAS 50-150KW
SPLIT ACTIVATOR 1φ, 3φ & 600V

REV	DATE	REVISION	BY
B	2-18-10	(A-1) SHEET 2-3 WAS 2-2; AUTO CHANGED OVER NATURAL/L.P. GAS FUEL SYSTEMS MOVED TO SHEET 3 & SEE SHEETS 1 & 3 [88178-4] DFS	
C	4-22-10	(A-1) SHEET 2-6 WAS 2-3 [88672]	DFS
D	5-13-10	SEE SHEET 3 [88178-7]	DFS
E	6-14-10	SEE SHEET 1 [88176]	DFS
F	10-13-10	SEE SHEET 4 [90228]	LINK

REV	DATE	REVISION	BY
C	4-22-10	(A-1) SHEET 3-6 WAS 3-3 [89672]	CPS
D	5-13-10	(C-3,4) QCON14, QCON15, QCON16 & QCON17 CONNECTORS REMOVED FROM LFP1. "63" CONNECTED TO QCON7 & "N3" CONNECTED TO QCON8 [89178-7]	DFS
E	6-14-10	SEE SHEET 1 [89716]	DFS
F	10-13-10	SEE SHEET 4 [90228]	LINK

REV	DATE	REVISION	BY
C	4-22-10	(A-1) SHEET 3-6 WAS 3-3 [89672]	CPS
D	5-13-10	(C-3,4) QCON14, QCON15, QCON16 & QCON17 CONNECTORS REMOVED FROM LFP1. "63" CONNECTED TO QCON7 & "N3" CONNECTED TO QCON8 [89178-7]	DFS
E	6-14-10	SEE SHEET 1 [89716]	DFS
F	10-13-10	SEE SHEET 4 [90228]	LINK



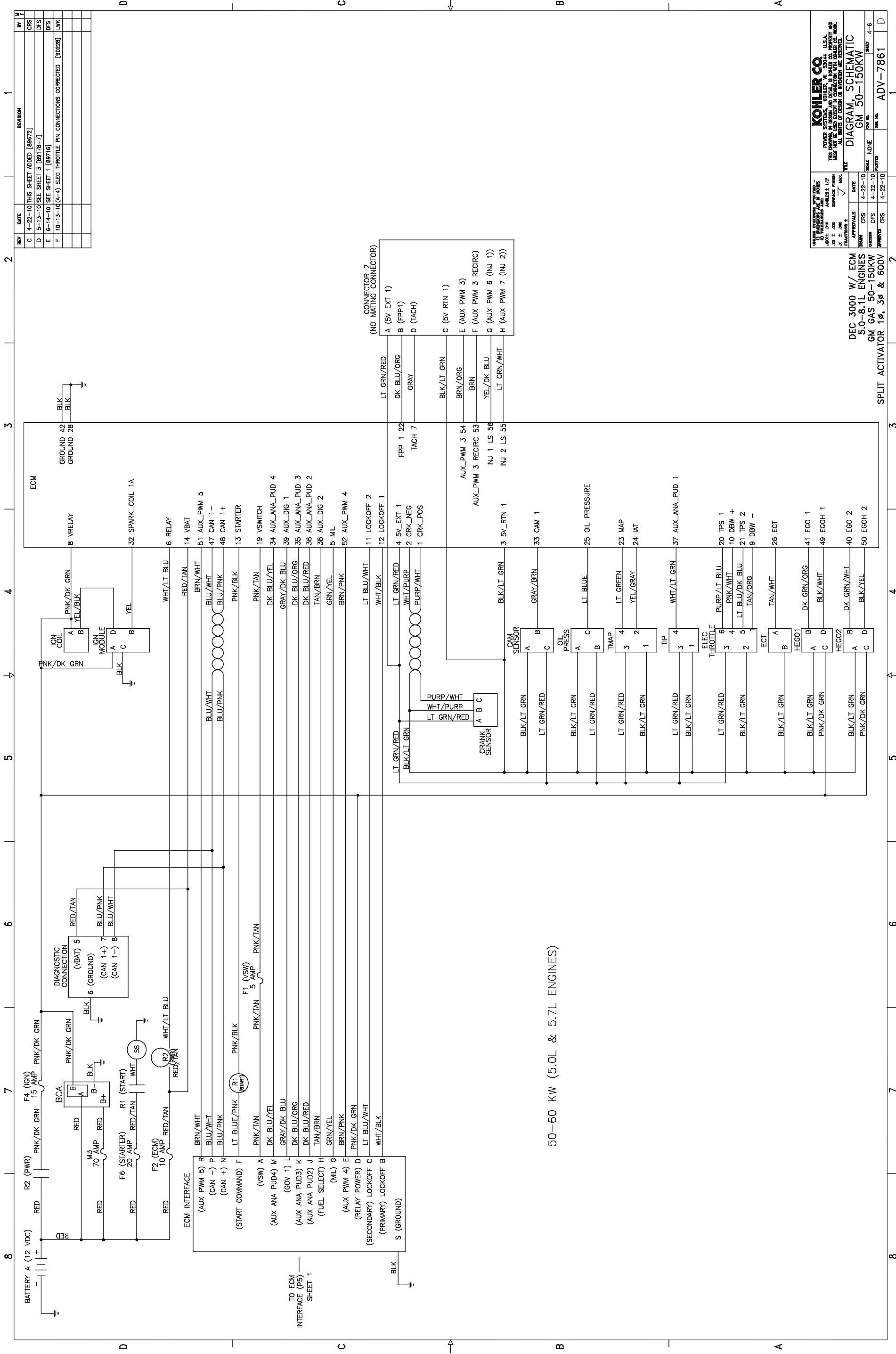
DATE	BY	REVISION
3-10-10	DFS	3-10-10
3-10-10	DFS	3-10-10
3-10-10	DFS	3-10-10

KOHLER CO.
 POWER SYSTEMS, KOHLER, WI, USA
 THIS DRAWING IS THE PROPERTY OF KOHLER CO. ALL RIGHTS ARE RESERVED.
 ALL RIGHTS OF INVENTION ARE RESERVED.

DIAGRAM SCHEMATIC
 GM 50-150KW

DEC 3000 W/ ECM
 5.0-8.1L ENGINES
 GM GAS 50-150KW
 SPLIT ACTIVATOR 1 ϕ , 3 ϕ & 600V

ADV-7861



50-60 KW (5.0L & 5.7L ENGINES)

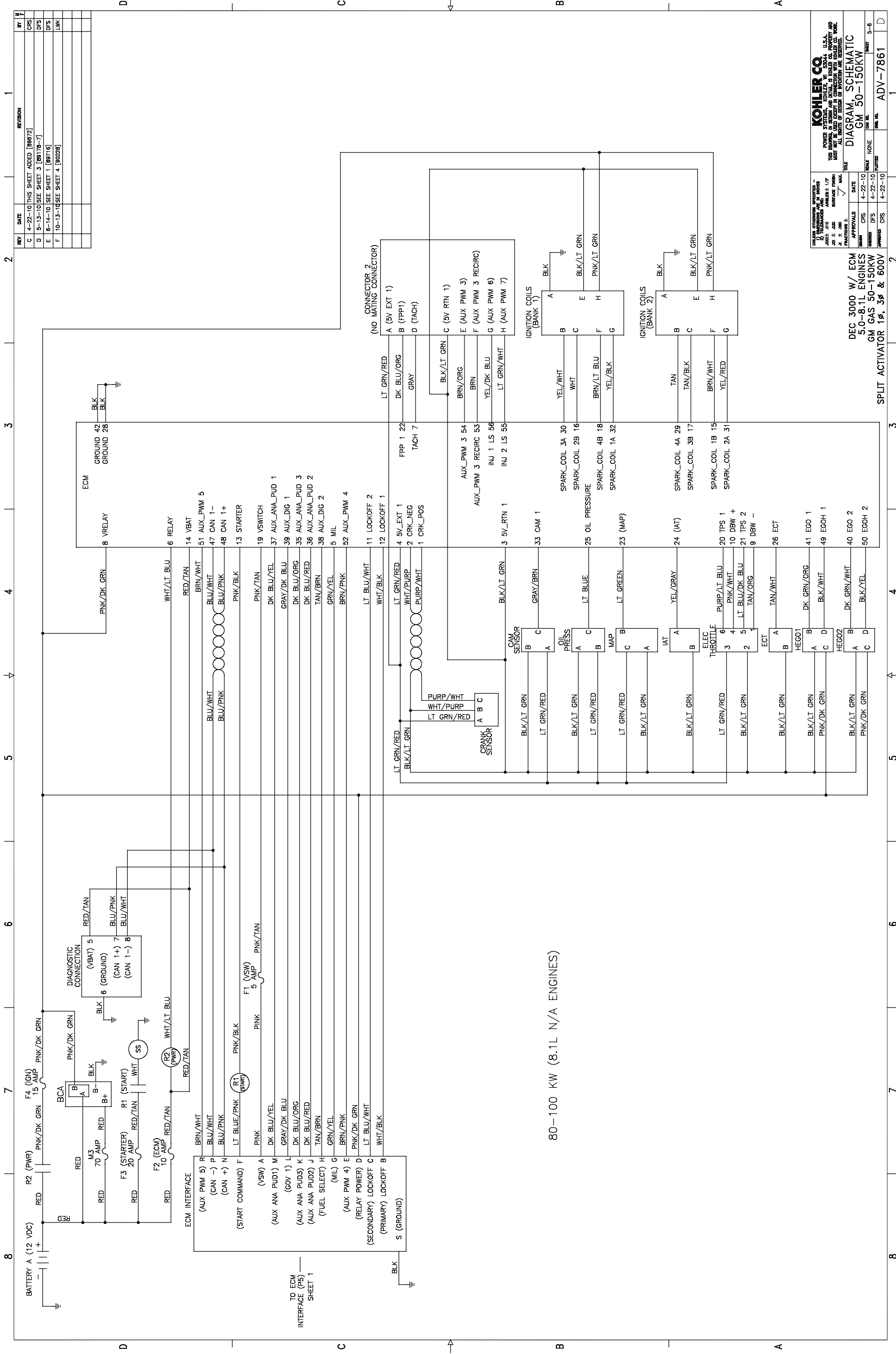
REV	DATE	REVISION	BY
C	4-22-10	THIS SHEET ADDED [88672]	CRS
D	5-13-10	SEE SHEET 3 [88178-7]	DPS
E	6-14-10	SEE SHEET 1 [88716]	DPS
F	10-13-10	(A-A) ELEC THROTTLE PIN CONNECTIONS CORRECTED [90226]	LWK

APPROVALS	DATE
DESIGN	CRS 4-22-10
DRAWN	DPS 4-22-10
CHECKED	CRS 4-22-10
APPROVED	CRS 4-22-10

DEC 3000 W/ ECM
5.0-8.1L ENGINES
GM GAS 50-150KW
SPILT ACTIVATOR 1φ, 3φ & 600V

TITLE	DIAGRAM SCHEMATIC
SCALE	NONE
FIG NO.	4-6
REV NO.	ADV-7861

KOHLER CO
POWER SYSTEMS, KOHLER, WI, USA
THIS DRAWING IS ISSUED AS PART OF THE EQUIPMENT AND
MAY BE REPRODUCED OR TRANSMITTED IN ANY FORM OR BY ANY MEANS
ELECTRONIC OR MECHANICAL, INCLUDING PHOTOCOPYING, RECORDING,
OR BY ANY INFORMATION STORAGE AND RETRIEVAL SYSTEM, WITHOUT THE
WRITTEN PERMISSION OF KOHLER CO.

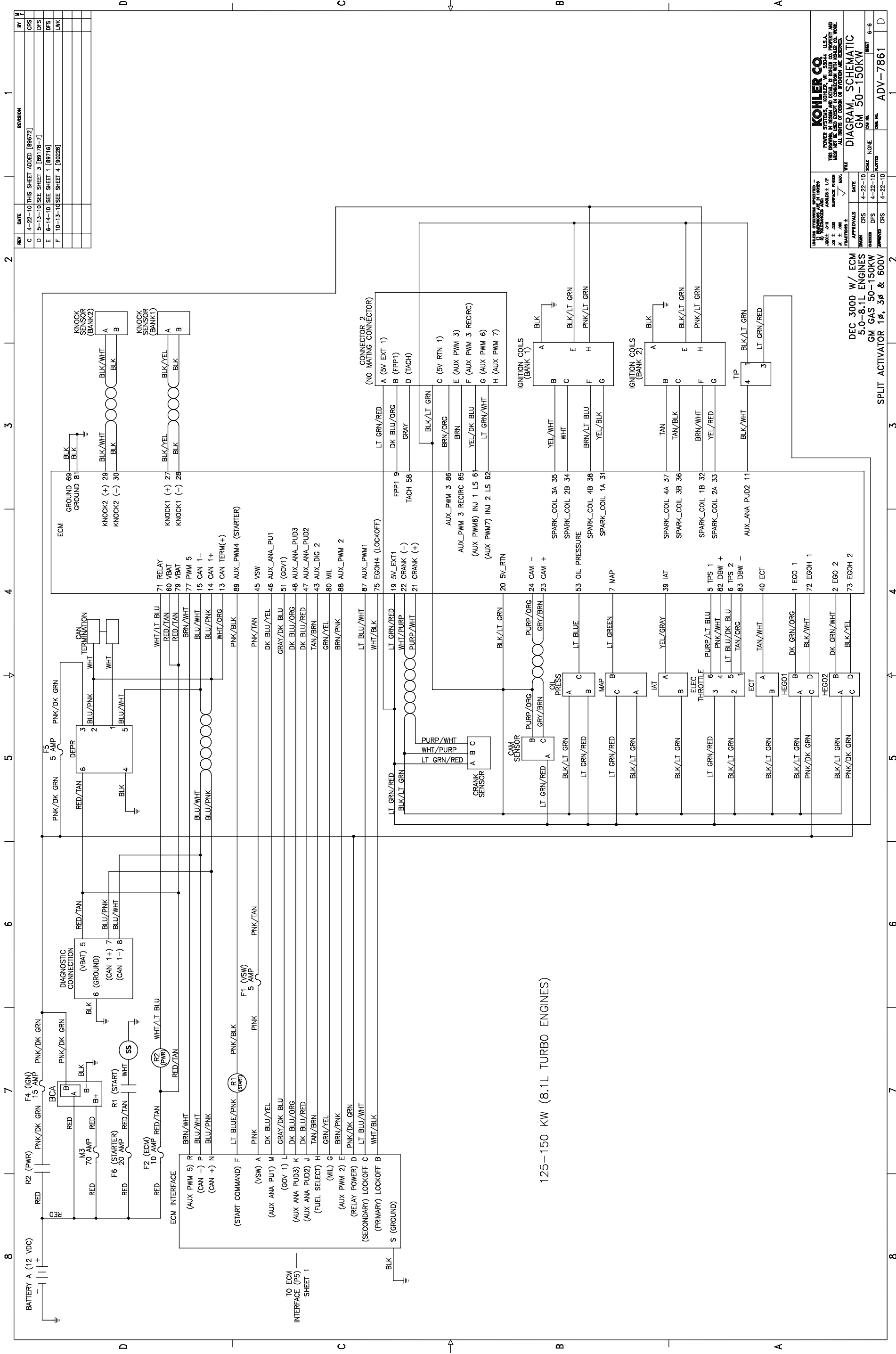


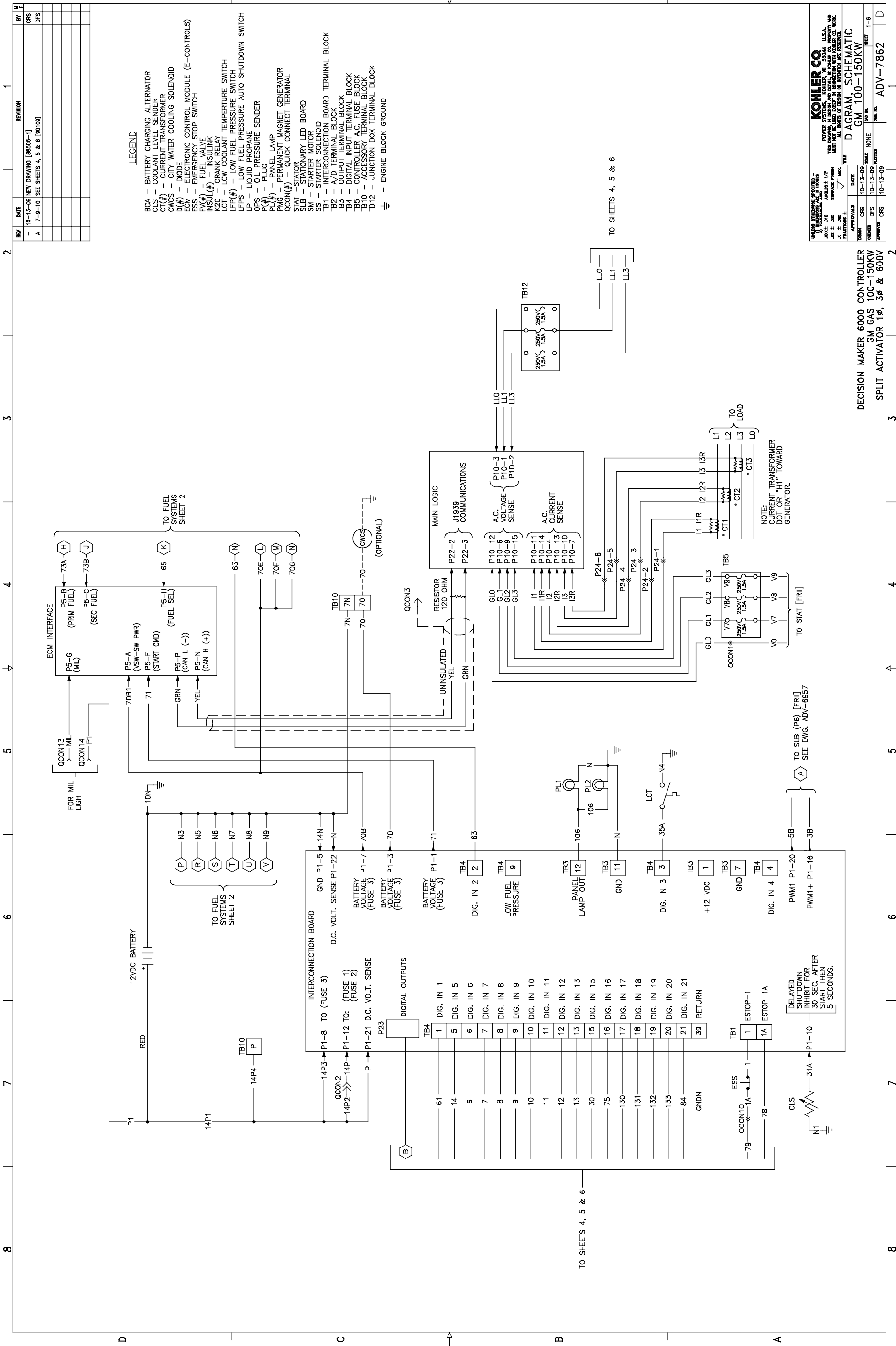
REV	DATE	REVISION	BY
C	4-22-10	THIS SHEET ADDED [88672]	CBS
D	5-13-10	SEE SHEET 3 [88178-7]	DPS
E	6-14-10	SEE SHEET 1 [88716]	DPS
F	10-13-10	SEE SHEET 4 [90228]	LWK

DESIGNED	DATE	APPROVED	DATE	APPROVED	DATE
DPS	4-22-10	CBS	4-22-10	DPS	4-22-10
CBS	4-22-10	CBS	4-22-10	CBS	4-22-10

DEC 3000 W/ ECM
5.0-8.1L ENGINES
GM GAS 50-150KW
SPILT ACTIVATOR 1φ, 3φ & 600V

ADV-7861



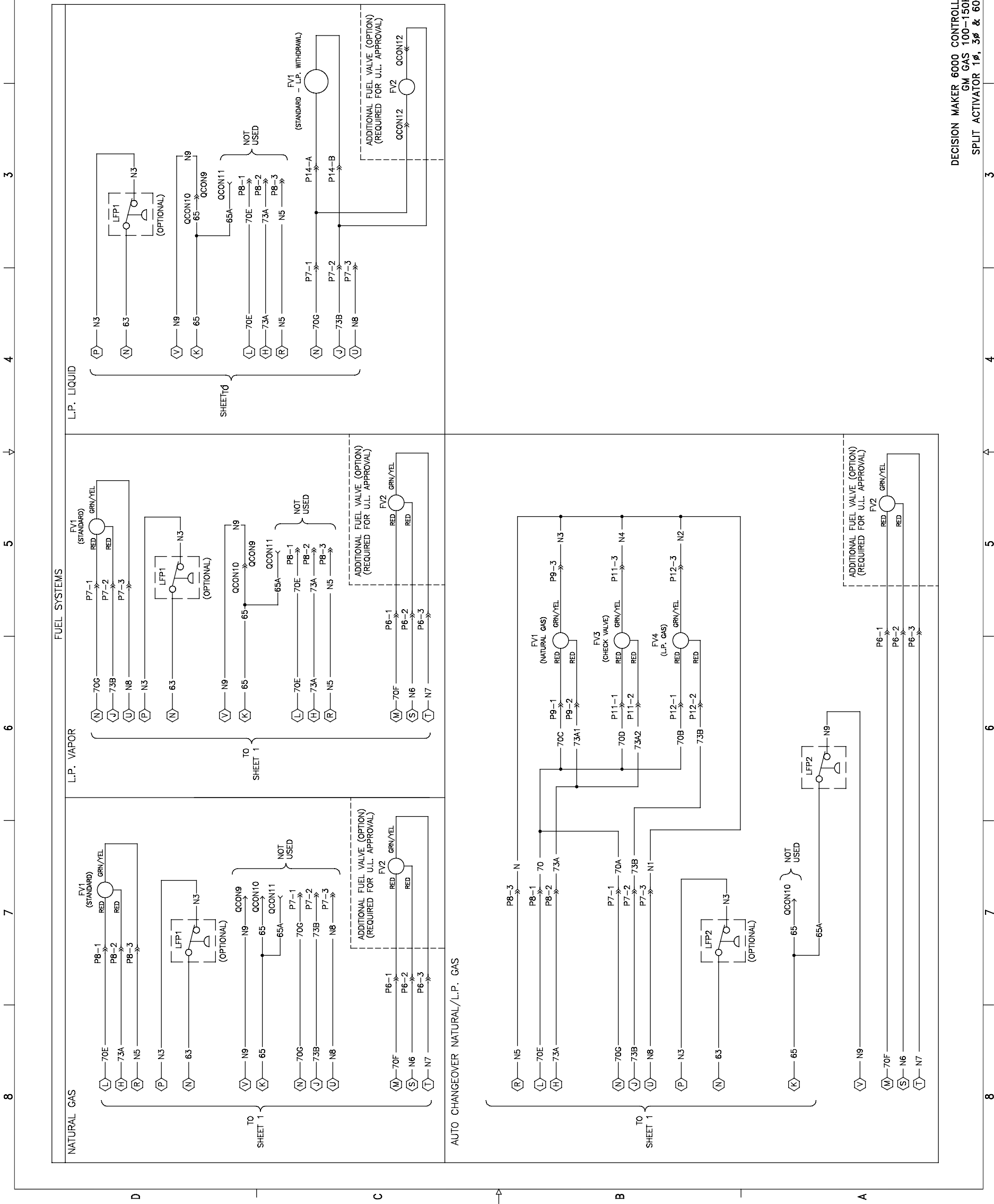


UNLESS OTHERWISE SPECIFIED -	APPROVALS	DATE	SCALE	SHEET
3) DIMENSIONS ARE IN INCHES	DESIGN	10-13-09	1:1	1-6
JOICE: JTD	CRS	10-13-09		
SCALE: 1/2	DPS	10-13-09		
DATE: 10-13-09	APPROVED	10-13-09		

DIAGRAM, SCHEMATIC
 GM 100-150KW
 ADV-7862

DECISION MAKER 6000 CONTROLLER
 GM GAS 100-150KW
 SPLIT ACTIVATOR 1P, 3P & 600V

REV	DATE	REVISION	BY
-	10-13-09	NEW DRAWING [REVISION-1]	CRS
A	7-9-10	SEE SHEETS 4, 5 & 6 [90109]	DPS



UNLESS OTHERWISE SPECIFIED -	DATE	DATE
3) DIMENSIONS ARE IN INCHES		
UNLESS OTHERWISE SPECIFIED -	10-13-09	10-13-09
JOICE .010	AMPERES ± 1/2	10-13-09
2 ± .000	SURFACE FINISH	10-13-09
FRACTURES ±	✓ DIMS	

APPROVALS	DATE	DATE
DESIGNED CRS	10-13-09	10-13-09
DRAWN DPS	10-13-09	10-13-09
APPROVED CRS	10-13-09	10-13-09

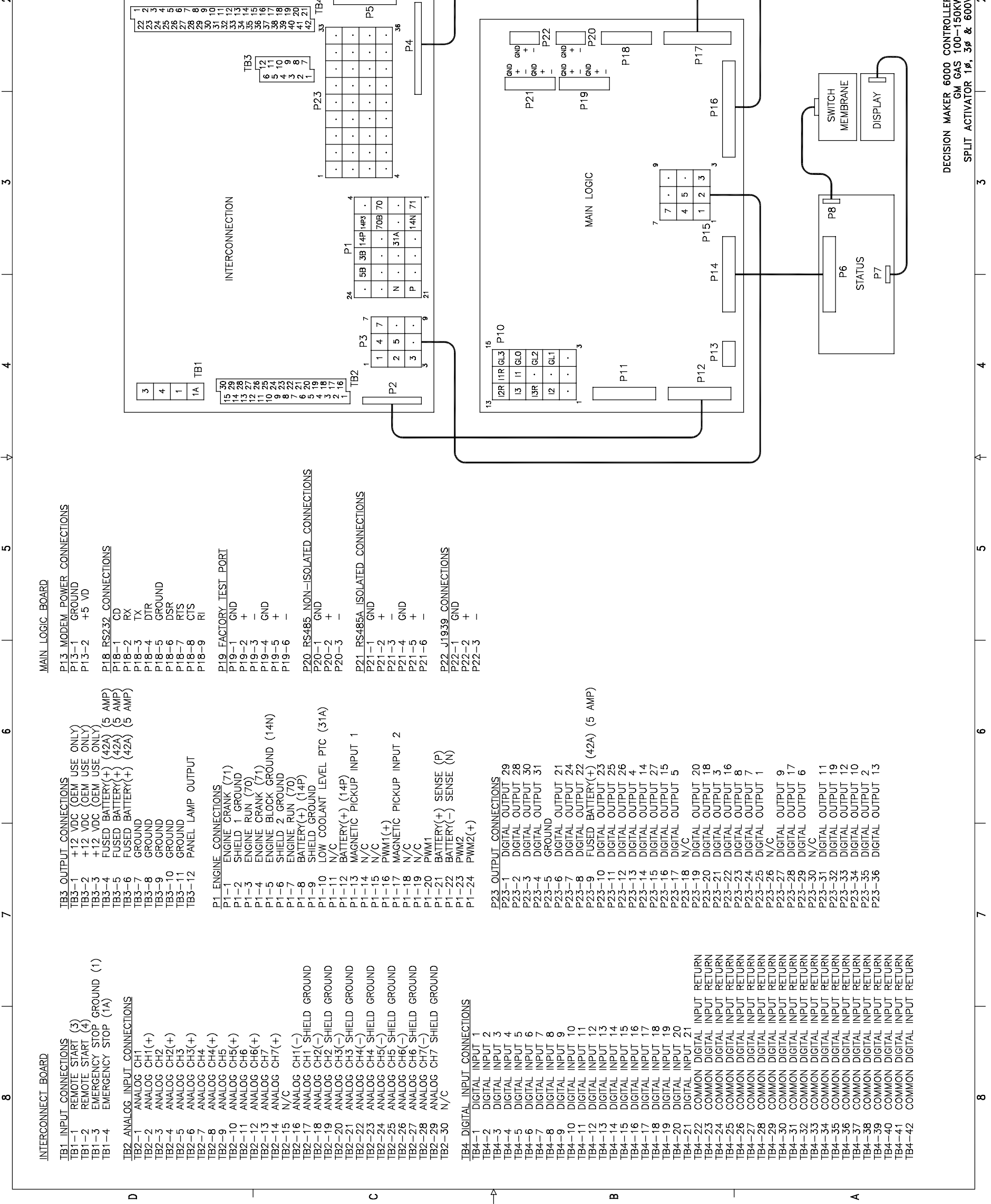
DECISION MAKER 6000 CONTROLLER
GM GAS 100-150KW
SPLIT ACTIVATOR 1P, 3P & 600V

DIAGRAM, SCHEMATIC
GM 100-150KW

SHEET NO. **ADV-7862** SHEET **2-8**

KÖHLER CO. U.S.A.
 POWER SYSTEMS AND CONTROLS DIVISION
 THIS DRAWING IS THE PROPERTY OF KOHLER CO. IT IS NOT TO BE REPRODUCED OR TRANSMITTED IN ANY FORM OR BY ANY MEANS, ELECTRONIC OR MECHANICAL, WITHOUT THE WRITTEN PERMISSION OF KOHLER CO. ALL RIGHTS OF DESIGN OR INVENTION ARE RESERVED.

REV	DATE	REVISION	BY
-	10-13-08	NEW DRAWING [88808-1]	CRS
A	7-9-10	SEE SHEETS 4, 5 & 6 [90109]	DPS



UNLESS OTHERWISE SPECIFIED -	APPROVALS	DATE	SCALE	SHEET
3) DIMENSIONS ARE IN INCHES	DATE	10-13-08	NONE	3-6
1) TOLERANCES UNLESS OTHERWISE SPECIFIED -	DESIGNED	10-13-08		
2) DIMENSIONS ARE IN INCHES	DRAWN	10-13-08		
3) DIMENSIONS ARE IN INCHES	CHECKED	10-13-08		
4) DIMENSIONS ARE IN INCHES	APPROVED	10-13-08		

UNLESS OTHERWISE SPECIFIED -
 1) TOLERANCES UNLESS OTHERWISE SPECIFIED -
 2) DIMENSIONS ARE IN INCHES
 3) DIMENSIONS ARE IN INCHES
 4) DIMENSIONS ARE IN INCHES

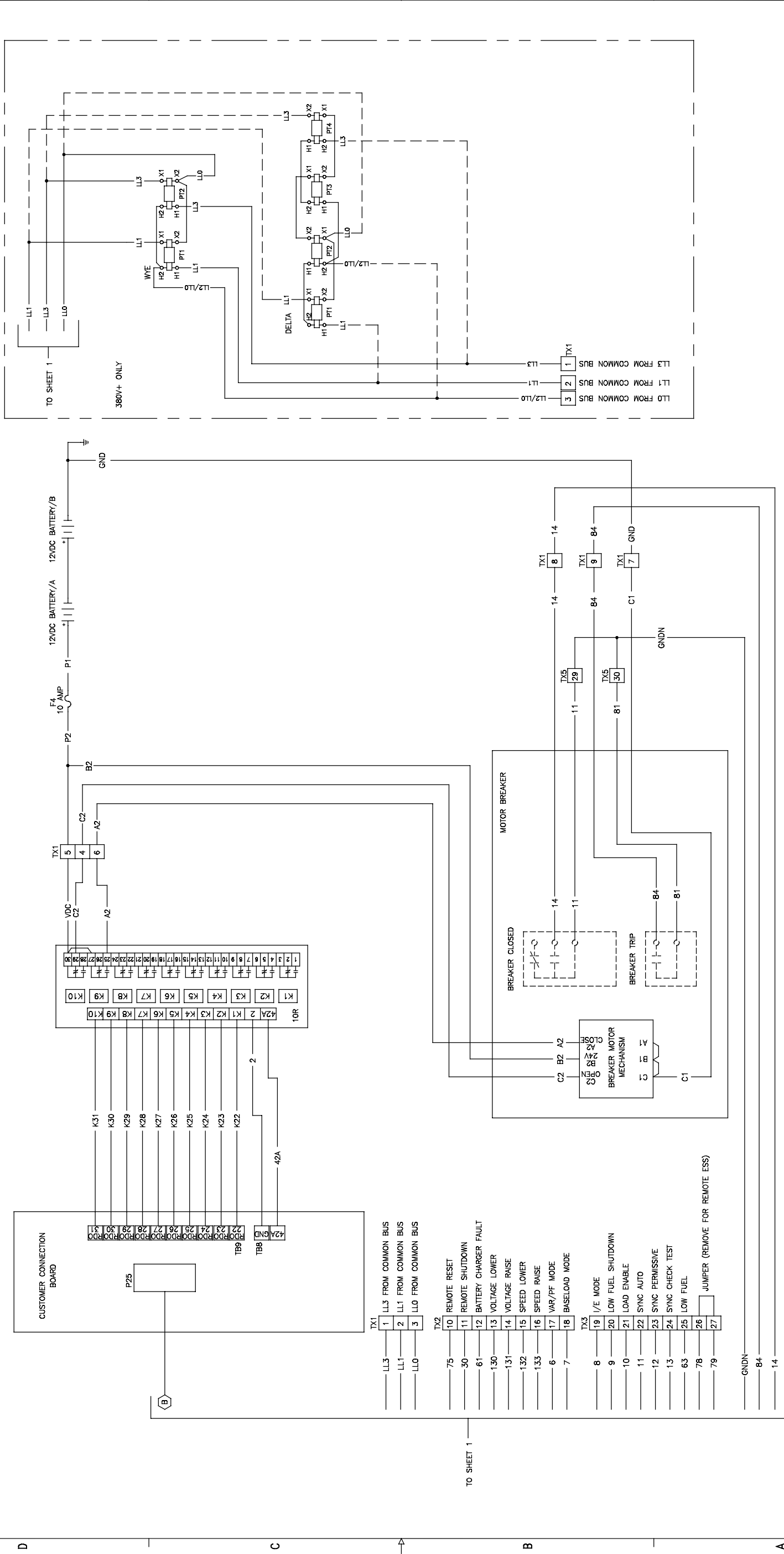
DATE: 10-13-08
 SCALE: NONE
 SHEET: 3-6

TITLE: **DIAGRAM, SCHEMATIC**
GM 100-150KW

DECISION MAKER 6000 CONTROLLER
 GM GAS 100-150KW
 SPLIT ACTIVATOR 1P, 3P & 600V

KOHLER CO. U.S.A.
 POWER SYSTEMS DIVISION
 10000 W. 100TH AVE., BENTON HARBOR, MI 48024
 THIS DRAWING IS THE PROPERTY OF KOHLER CO. IT IS TO BE USED ONLY FOR THE PROJECT AND NOT BE REPRODUCED OR COPIED IN ANY MANNER WITHOUT THE WRITTEN PERMISSION OF KOHLER CO.

REV	DATE	REVISION	BY
-	10-13-09	NEW DRAWING [88500-1]	CRS
A	7-9-10	WIRE DESIGNATIONS REVISED TO MATCH CURRENT WIRING DIAGRAM & HARNESSES [90109]	DFS



APPROVALS	DATE	BY
DESIGNED	10-13-09	CRS
CHECKED	10-13-09	DFS
APPROVED	10-13-09	CRS

UNLESS OTHERWISE SPECIFIED -

1) TERMINALS ARE 20 GAUGE

2) WIRE GAUGE IS AWG

3) WIRE COLOR IS BLACK UNLESS OTHERWISE SPECIFIED

4) ALL WIRING IS TO BE DONE IN ACCORDANCE WITH THE NATIONAL ELECTRICAL CODE (NEC) AND ALL APPLICABLE LOCAL CODES.

5) ALL WIRING IS TO BE DONE IN ACCORDANCE WITH THE NATIONAL ELECTRICAL CODE (NEC) AND ALL APPLICABLE LOCAL CODES.

6) ALL WIRING IS TO BE DONE IN ACCORDANCE WITH THE NATIONAL ELECTRICAL CODE (NEC) AND ALL APPLICABLE LOCAL CODES.

7) ALL WIRING IS TO BE DONE IN ACCORDANCE WITH THE NATIONAL ELECTRICAL CODE (NEC) AND ALL APPLICABLE LOCAL CODES.

8) ALL WIRING IS TO BE DONE IN ACCORDANCE WITH THE NATIONAL ELECTRICAL CODE (NEC) AND ALL APPLICABLE LOCAL CODES.

9) ALL WIRING IS TO BE DONE IN ACCORDANCE WITH THE NATIONAL ELECTRICAL CODE (NEC) AND ALL APPLICABLE LOCAL CODES.

10) ALL WIRING IS TO BE DONE IN ACCORDANCE WITH THE NATIONAL ELECTRICAL CODE (NEC) AND ALL APPLICABLE LOCAL CODES.

KOHLER CO.

U.S.A.

POWER SYSTEMS

10000 WALKER AVENUE

INDIANAPOLIS, IN 46254

TEL: 317-251-1000

FAX: 317-251-1001

WWW.KOHLER.COM

ALL RIGHTS RESERVED

DATE 10-13-09

SCALE NONE

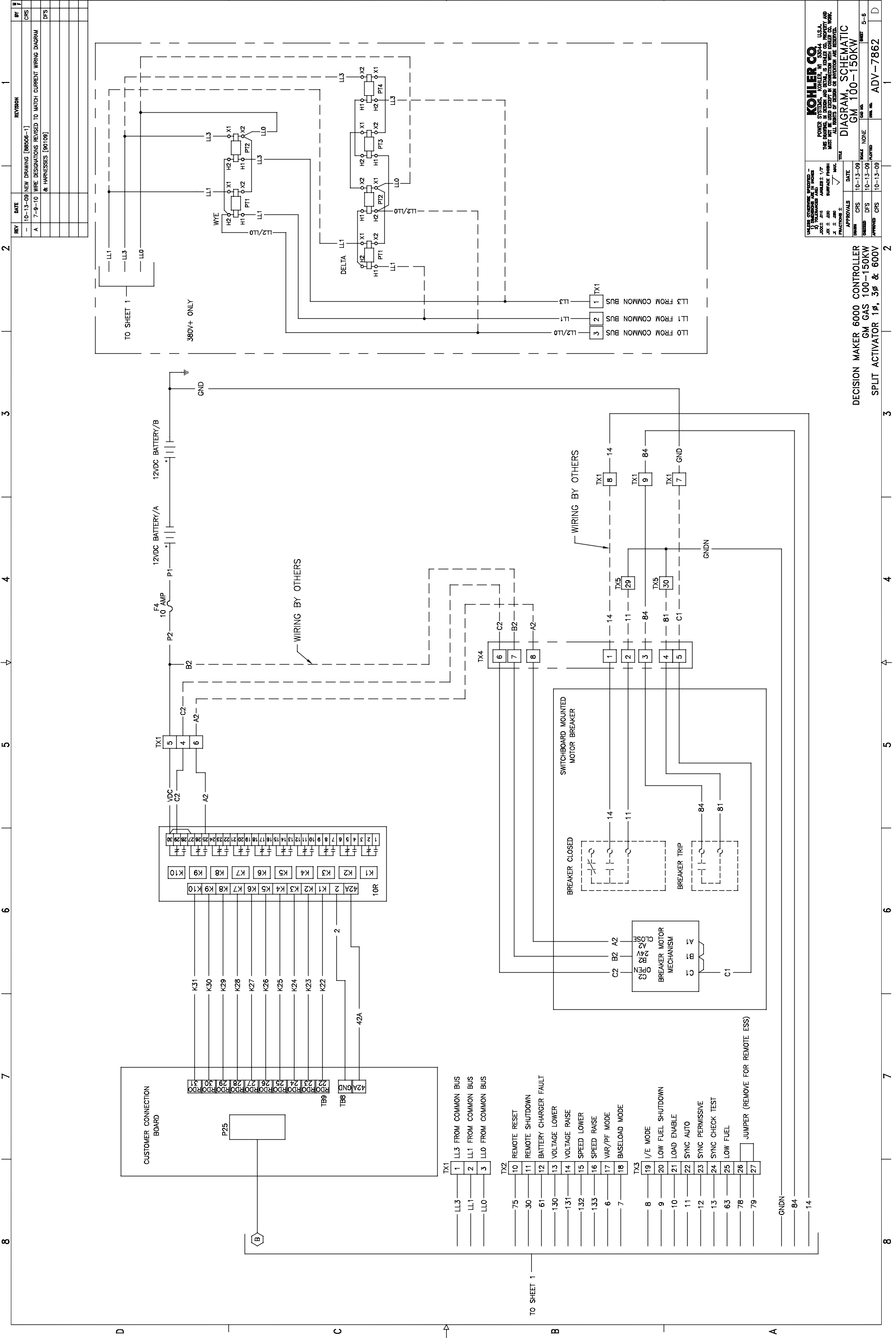
FIG. NO. ADV-7862

SHEET 4-6

DECISION MAKER 6000 CONTROLLER

GM GAS 100-150KW

SPLIT ACTIVATOR 1P, 3P & 600V



REV	DATE	REVISION	BY
-	10-13-09	NEW DRAWING [REWORK-1]	CRS
A	7-9-10	WIRE DESIGNATIONS REVISED TO MATCH CURRENT WIRING DIAGRAM & HARNESSES [90109]	DPS

UNLESS OTHERWISE SPECIFIED -		DATE	
3) TOLERANCES UNLESS NOTED	✓	DATE	10-13-09
4) DIMENSIONS UNLESS NOTED	✓	DATE	10-13-09
5) SURFACE FINISH UNLESS NOTED	✓	DATE	10-13-09
6) MATERIALS UNLESS NOTED	✓	DATE	10-13-09
7) FINISH UNLESS NOTED	✓	DATE	10-13-09

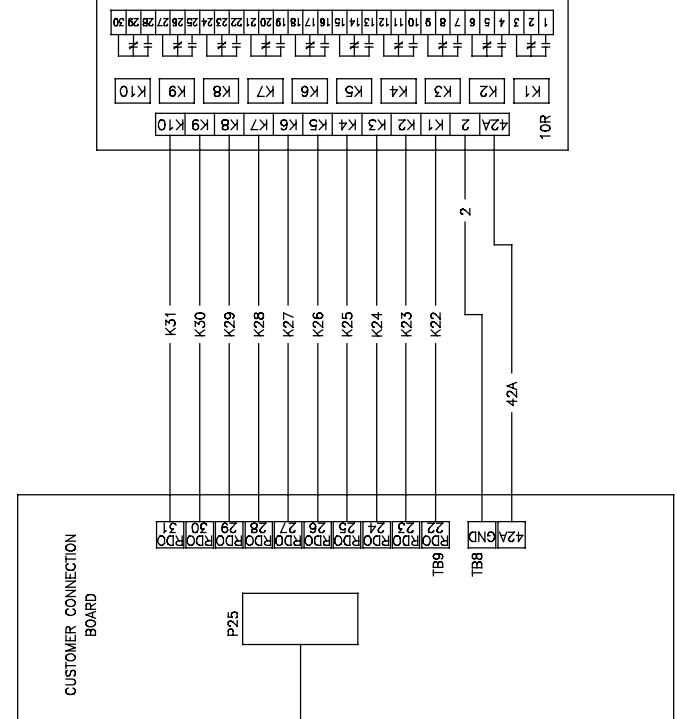
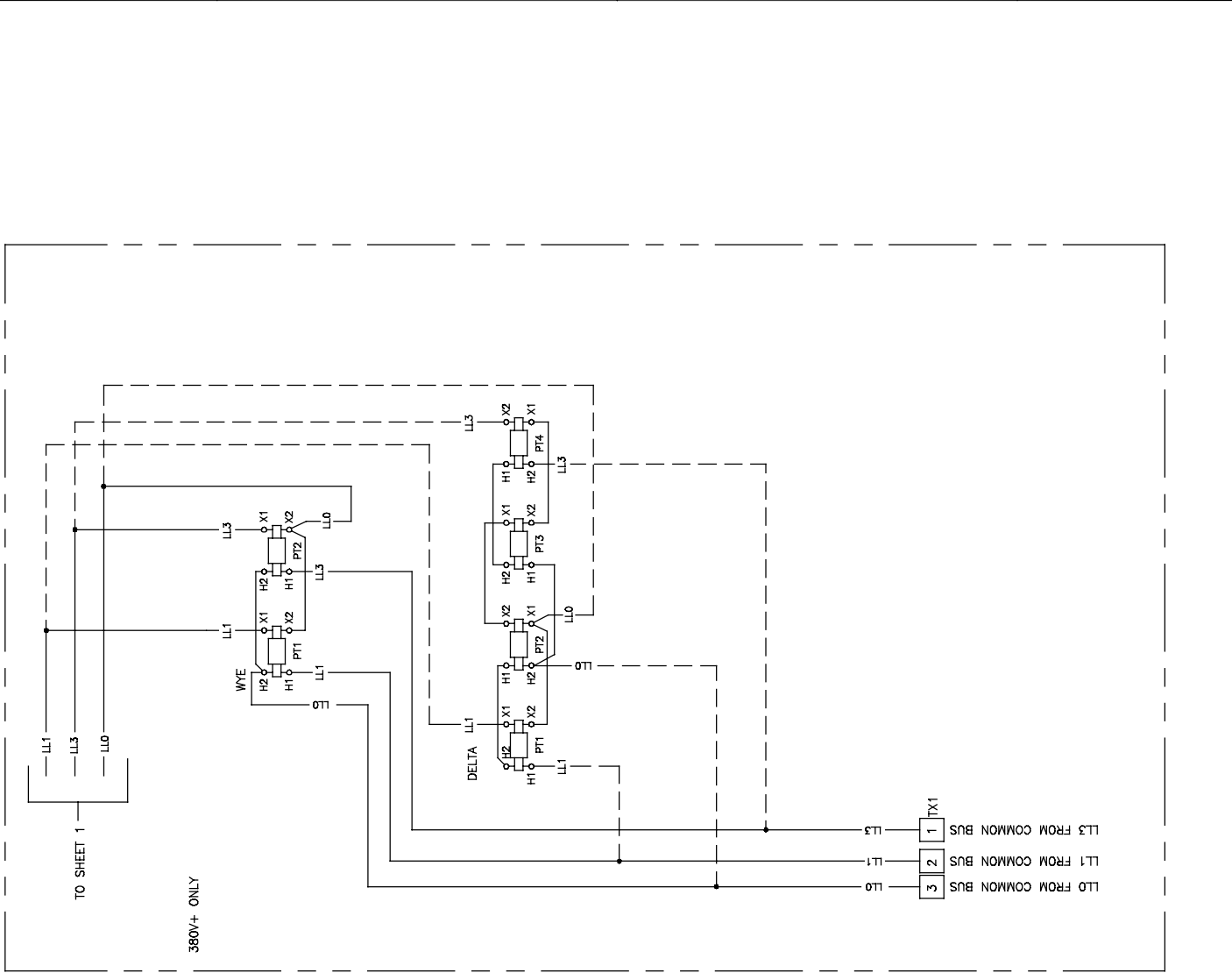
KOHLER CO.
 POWER SYSTEMS
 10000 W. 100th Ave., Suite 100
 Denver, CO 80231-1000
 TEL: 303.440.1000 FAX: 303.440.1001
 WWW.KOHLER.COM
 ALL RIGHTS OF DESIGN OR INVENTION ARE RESERVED.

DIAGRAM, SCHEMATIC
GM 100-150KW

DECISION MAKER 6000 CONTROLLER
GM GAS 100-150KW
SPLIT ACTIVATOR 1P, 3P & 600V

ADV-7862
 SHEET 5-6

REV	DATE	REVISION	BY
-	10-13-09	NEW DRAWING [REVISION-1]	CRS
A	7-9-10	SEE SHEETS 4 & 5 [90109]	DPS



- TX1
- 1 LL3 FROM COMMON BUS
- 2 LL1 FROM COMMON BUS
- 3 LLO FROM COMMON BUS
- 8 LLO FROM COMMON BUS
- 9 LLO FROM COMMON BUS
- TX2
- 10 REMOTE RESET
- 11 REMOTE SHUTDOWN
- 12 BATTERY CHARGER FAULT
- 13 VOLTAGE LOWER
- 14 VOLTAGE RAISE
- 15 SPEED LOWER
- 16 SPEED RAISE
- 17 VAR/PF MODE
- 18 BASELOAD MODE
- TX3
- 19 I/E MODE
- 20 LOW FUEL SHUTDOWN
- 21 LOAD ENABLE
- 22 SYNC AUTO
- 23 SYNC PERMISSIVE
- 24 SYNC CHECK TEST
- 63 LOW FUEL
- 78 JUMPER (REMOVE FOR REMOTE ESS)
- 79
- TX5
- 28 GNDN

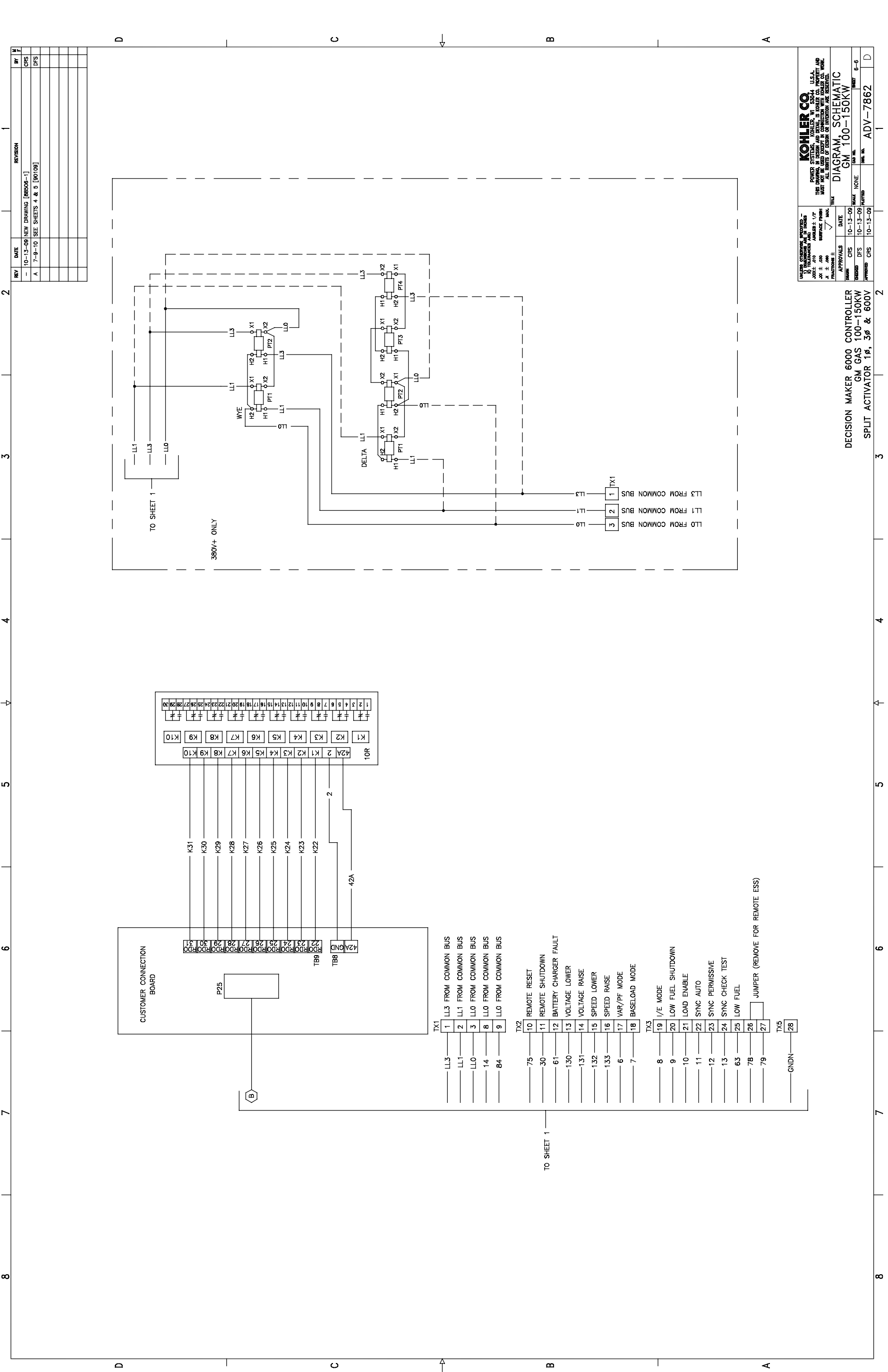
APPROVALS	DATE	SCALE	NO. IN SET	SHEET
DESIGNED	10-13-09	NONE		6-6
DRAWN	10-13-09			
CHECKED	10-13-09			
APPROVED	10-13-09			

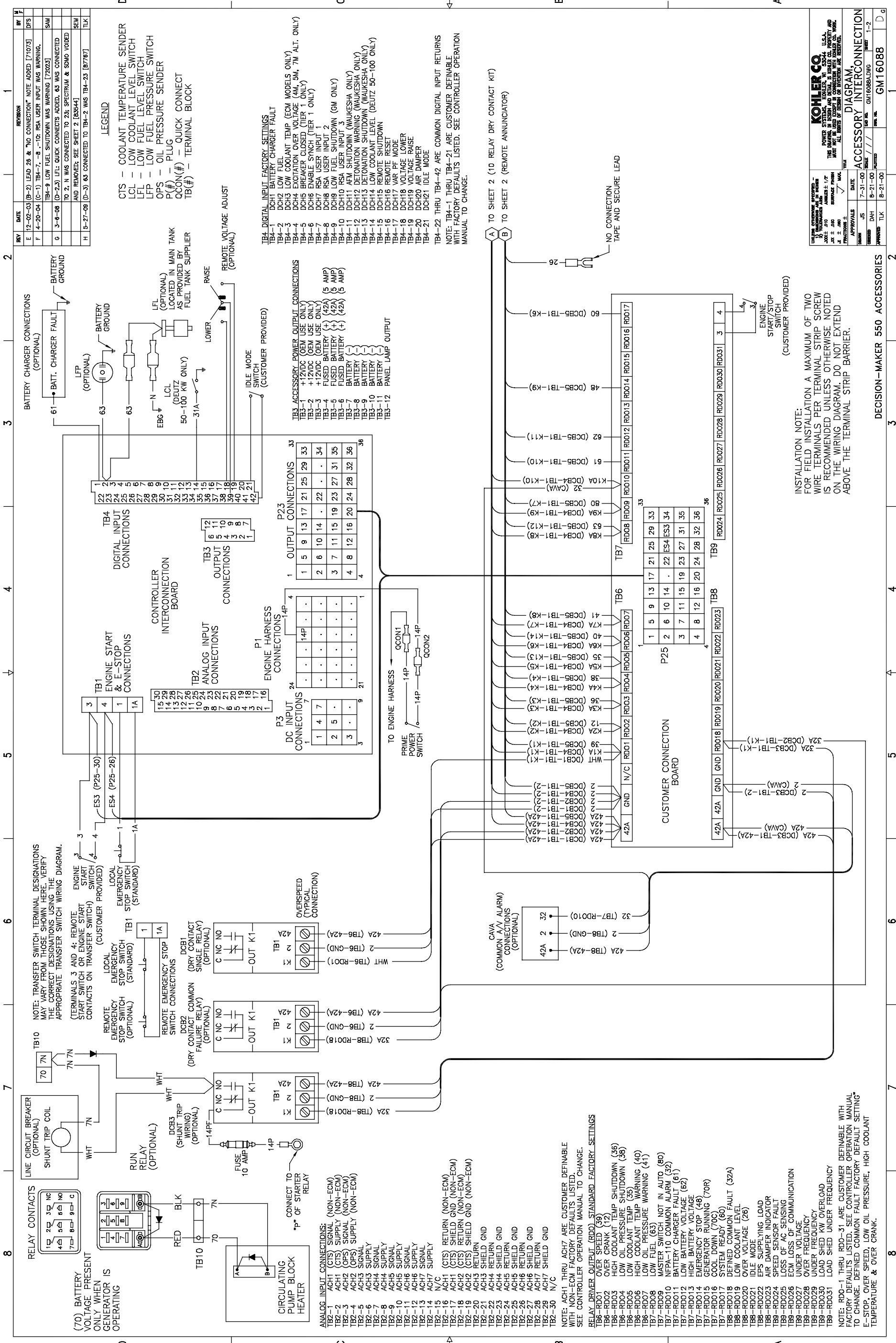
UNLESS OTHERWISE SPECIFIED -
 1) DIMENSIONS ARE IN INCHES
 2) TOLERANCES ARE:
 FRACTIONS ± .005
 DECIMALS ± .010
 ANGLES ± 1/2°
 SURFACE FINISH: .0005
 DIMS NOT TO BE USED EXCEPT IN CONNECTION WITH KOHLER CO. WORK.
 ALL RIGHTS OF DESIGN OR INVENTION ARE RESERVED.

KOHLER CO. U.S.A.
 POWER SYSTEMS AND CONTROLS DIVISION
 10000 W. 150TH AVENUE, SUITE 100
 BENTON HARBOR, MI 48024-1000
 TEL: 313-927-2000 FAX: 313-927-2001
 WWW.KOHLER.COM

DIAGRAM, SCHEMATIC
GM 100-150KW
ADV-7862

DECISION MAKER 6000 CONTROLLER
GM GAS 100-150KW
SPLIT ACTIVATOR 1Ø, 3Ø & 600V





REV	DATE	REVISION	BY
E	12-02-03	(B-2) LEAD 26 & "NO CONNECTION" NOTE ADDED [71073]	DPS
F	4-20-04	(C-1) TB4-7, -8, -10: RSA USER INPUT WAS WARNING.	SAM
		TB4-9 LOW FUEL SHUTDOWN WAS WARNING [72023]	
G	3-6-08	(D-2,3) LFI QUICK CONNECTS ADDED, 63 WAS CONNECTED TO 2. N WAS CONNECTED TO 23; SPECTRUM & SDMO VOIDED AND REMOVED; SEE SHEET 2 [83544]	SEW
H	5-27-08	(D-3) 63 CONNECTED TO TB4-2 WAS TB4-23 [87787]	TLK

LEGEND

CTS — COOLANT TEMPERATURE SENDER
 LCL — LOW COOLANT LEVEL SWITCH
 LFP — LOW FUEL LEVEL SWITCH
 LPP — LOW FUEL PRESSURE SWITCH
 OPS — OIL PRESSURE SENDER
 P(#) — PLUG
 OCON(#)/ — QUICK CONNECT
 TB(#)/ — TERMINAL BLOCK

- TB4-1 TB4-21 DIGITAL INPUT FACTORY SETTINGS**
- TB4-1 DCH1 BATTERY CHARGER FAULT
 - TB4-2 DCH2 LOW FUEL
 - TB4-3 DCH3 LOW COOLANT TEMP (ECM MODELS ONLY)
 - TB4-4 DCH4 EXHAUST OVER VOLTAGE (4M, 5M, 7M ALT. ONLY)
 - TB4-5 DCH5 BREAKER CLOSED (TIER 1 ONLY)
 - TB4-6 DCH6 ENABLE SYNCH (TIER 1 ONLY)
 - TB4-7 DCH7 RSA USER INPUT 1
 - TB4-8 DCH8 RSA USER INPUT 2
 - TB4-9 DCH9 RSA USER INPUT 3
 - TB4-10 DCH10 RSA USER SHUTDOWN (SM ONLY)
 - TB4-11 DCH11 AEM SHUTDOWN (WALKESHA ONLY)
 - TB4-12 DCH12 DETONATION WARNING (WALKESHA ONLY)
 - TB4-13 DCH13 DETONATION SHUTDOWN (WALKESHA ONLY)
 - TB4-14 DCH14 LOW COOLANT LEVEL (DEUTZ 50-100 ONLY)
 - TB4-15 DCH15 REMOTE RESET
 - TB4-16 DCH16 REMOTE SHUTDOWN
 - TB4-17 DCH17 VAR PF MODE
 - TB4-18 DCH18 VOLTAGE LOWER
 - TB4-19 DCH19 VOLTAGE RAISE
 - TB4-20 DCH20 AIR DAMPER
 - TB4-21 DCH21 IDLE MODE
- TB4-22 THRU TB4-42 ARE COMMON DIGITAL INPUT RETURNS
- NOTE: TB4-1 THRU TB4-21 ARE CUSTOMER DEFINABLE WITH FACTORY DEFAULTS LISTED. SEE CONTROLLER OPERATION MANUAL TO CHANGE.

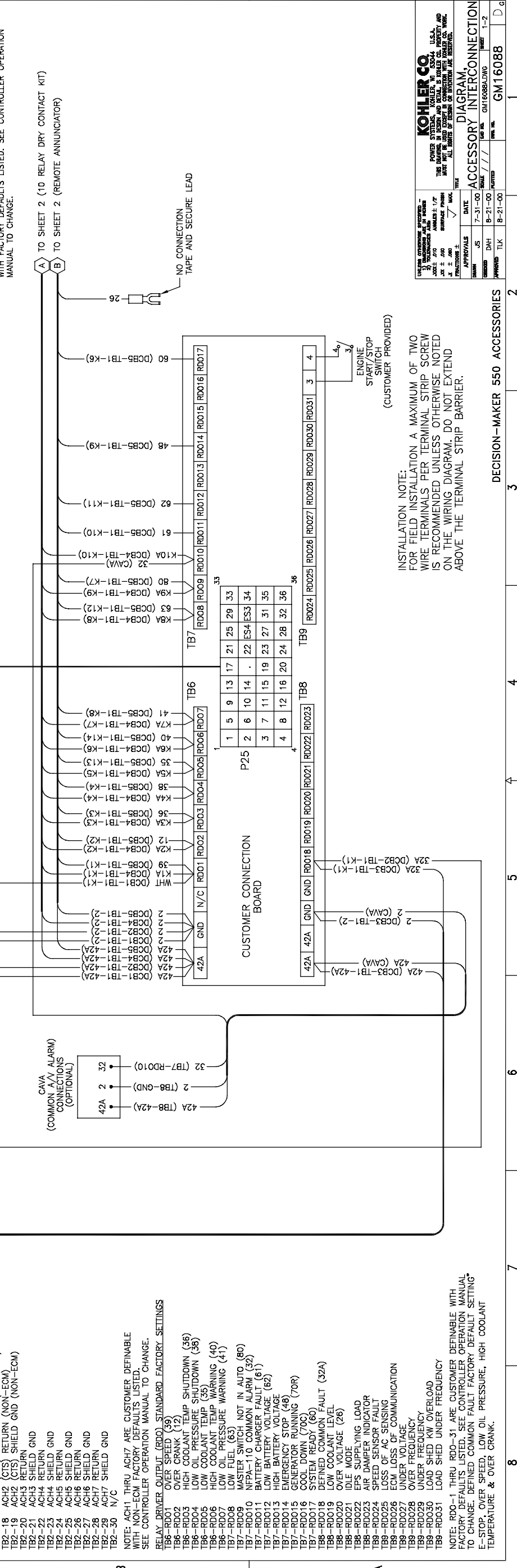
- TB3-1 TB3-12 ACCESSORY POWER OUTPUT CONNECTIONS**
- TB3-1 +12VDC (OEM USE ONLY)
 - TB3-2 +12VDC (OEM USE ONLY)
 - TB3-3 FUSED BATTERY (+) (42A) (5 AMP)
 - TB3-4 FUSED BATTERY (-) (42A) (5 AMP)
 - TB3-5 FUSED BATTERY (+) (42A) (5 AMP)
 - TB3-6 FUSED BATTERY (-) (42A) (5 AMP)
 - TB3-7 BATTERY (+)
 - TB3-8 BATTERY (-)
 - TB3-9 BATTERY (+)
 - TB3-10 BATTERY (-)
 - TB3-11 BATTERY (+)
 - TB3-12 BATTERY (-)
- TB3-13 THRU TB3-36 ARE COMMON DIGITAL INPUT RETURNS

DC INPUT CONNECTIONS

Terminal	1	2	3	4
1	14P			
2	7			
3	5			

ENGINE HARNESS CONNECTIONS

Terminal	1	2	3	4
1	14P			
2	7			
3	5			



APPROVALS	DATE	BY	CHK
DESIGNED	7-31-00	DH	
CHECKED	8-21-00	TLK	
APPROVED	8-21-00	TLK	

UNLESS OTHERWISE SPECIFIED - THIS DRAWING IS THE PROPERTY OF KOHLER CO. ALL RIGHTS OF INVENTION ARE RESERVED.

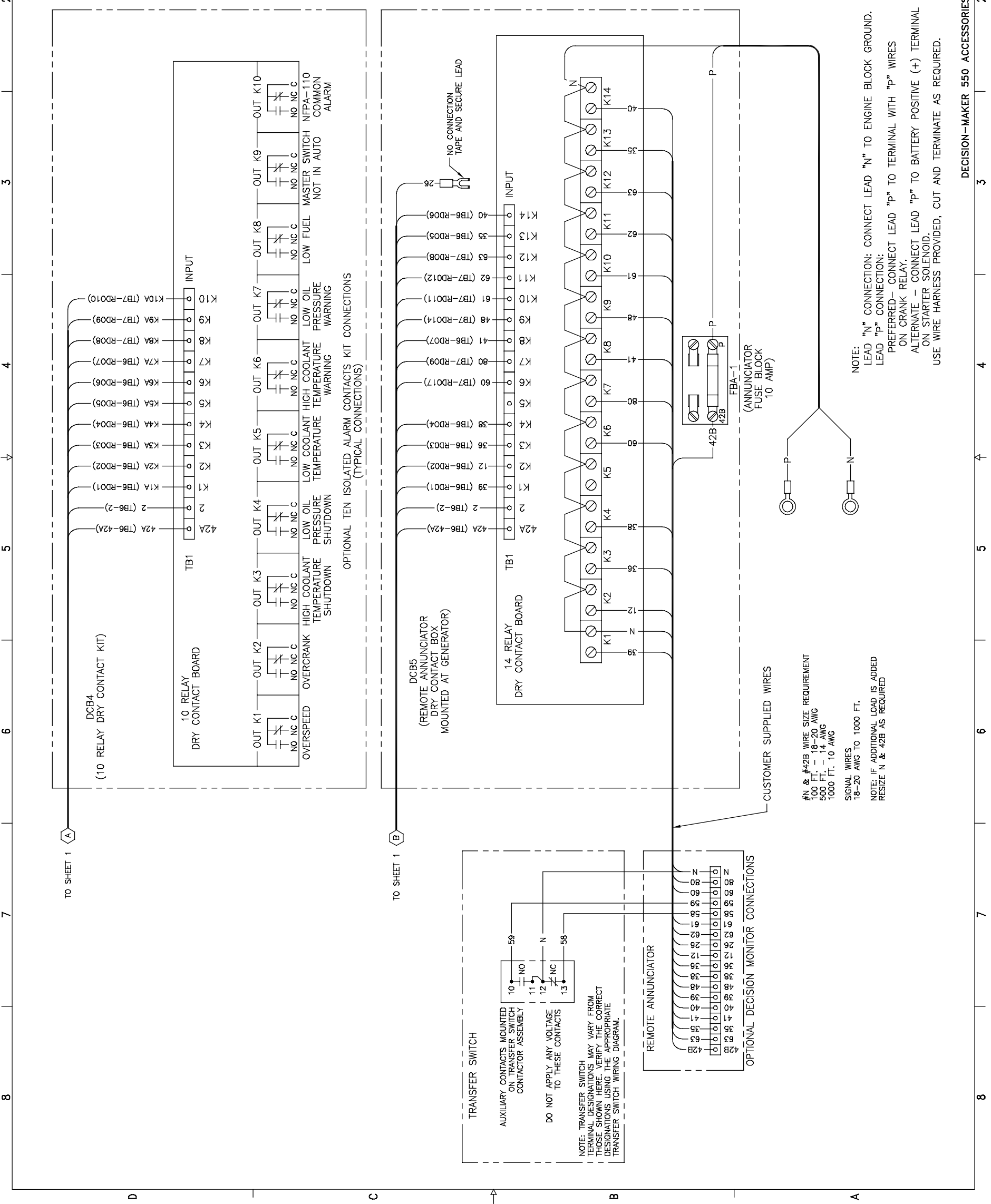
KOHLER CO.
 1100 N. 2ND ST., MILWAUKEE, WI 53212
 PHONE: 414.780.1000
 FAX: 414.780.1001
 WWW: WWW.KOHLER.COM

DATE: 7-31-00
 DRAWING NO: GM16088LWG
 SHEET: 1-2

DIAGRAM, ACCESSORY INTERCONNECTION

DECISION-MAKER 550 ACCESSORIES GM16088

REV	DATE	REVISION	BY
C	8-15-01	SEE SHEET 1 OF 2 [86037]	DPS
D	11-16-01	SEE SHEET 1 OF 2 [86667]	DPS
E	12-2-03	(C-3) LEAD 26 & "NO CONNECTION" NOTE ADDED [71073]	DPS
F	4-20-04	(A-4) LEAD CONNECTION NOTE UPDATED [72023]	SAW
G	3-6-08	SPECTRUM & SOMO VOIDED & REMOVED; SEE SHEET 1 [83544]	SEM
H	5-27-08	SEE SHEET 1 OF 2 [87767]	TLK



INSTALLATION NOTE:
 FOR FIELD INSTALLATION A MAXIMUM OF TWO WIRE TERMINALS PER TERMINAL STRIP SCREW IS RECOMMENDED UNLESS OTHERWISE NOTED ON THE WIRING DIAGRAM. DO NOT EXTEND ABOVE THE TERMINAL STRIP BARRIER.

NOTE:
 LEAD "N" CONNECTION: CONNECT LEAD "N" TO ENGINE BLOCK GROUND.
 LEAD "P" CONNECTION:
 PREFERRED - CONNECT LEAD "P" TO TERMINAL WITH "P" WIRES ON CRANK RELAY.
 ALTERNATE - CONNECT LEAD "P" TO BATTERY POSITIVE (+) TERMINAL ON STARTER SOLENOID.
 USE WIRE HARNESS PROVIDED, CUT AND TERMINATE AS REQUIRED.

#N & #42B WIRE SIZE REQUIREMENT
 100 FT. - 18-20 AWG
 500 FT. - 14 AWG
 1000 FT. 10 AWG
 SIGNAL WIRES
 18-20 AWG TO 1000 FT.
 NOTE: IF ADDITIONAL LOAD IS ADDED
 RESIZE N & 42B AS REQUIRED

APPROVALS	DATE	SCALE	GM PART NO.	GM16088	SHEET	OF
DESIGNED	8-1-00	1/2"	GM16088	GM16088	2-2	2
DRAWN	8-1-00	1/2"	GM16088	GM16088	2-2	2
CHECKED	8-21-00	1/2"	GM16088	GM16088	2-2	2
APPROVED	8-21-00	1/2"	GM16088	GM16088	2-2	2

UNLESS OTHERWISE SPECIFIED -
 3) TERMINALS SHALL BE 1/2" DIA.
 4) WIRE SHALL BE 18-20 AWG UNLESS OTHERWISE SPECIFIED.
 THIS DRAWING IS THE PROPERTY OF KOHLER CO. IT IS TO BE USED ONLY FOR THE PROJECT AND PARTS LISTED HEREON. IT IS NOT TO BE REPRODUCED OR COPIED IN ANY MANNER WITHOUT THE WRITTEN PERMISSION OF KOHLER CO.
 ALL RIGHTS OF DESIGN OR INVENTION ARE RESERVED.

DIAGRAM
 ACCESSORY INTERCONNECTION

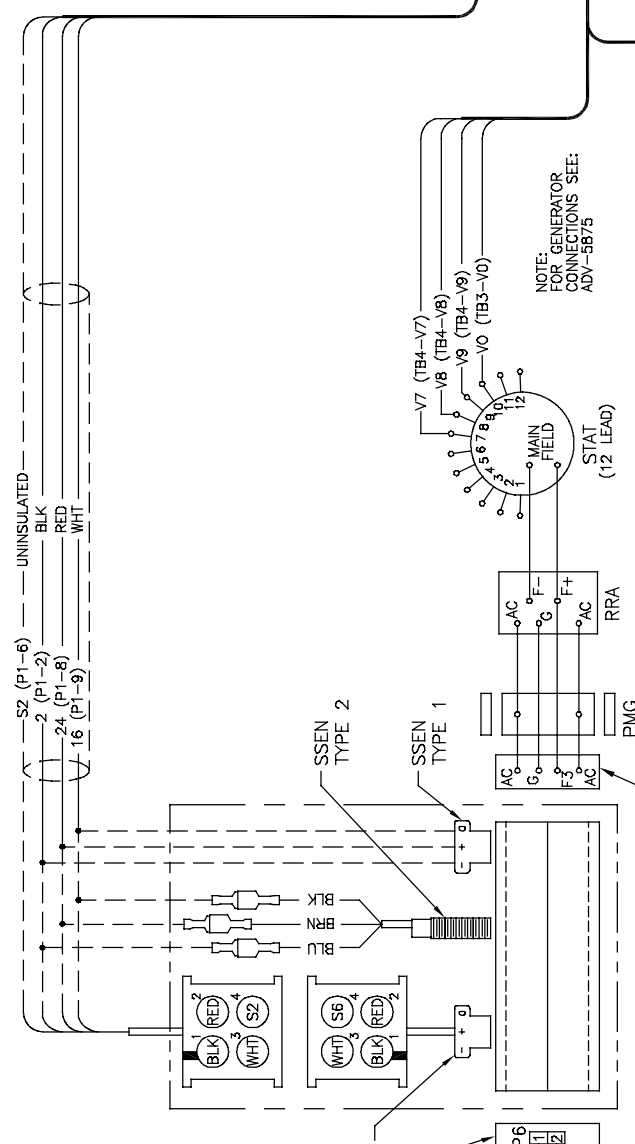
DECISION-MAKER 550 ACCESSORIES

REV	DATE	REVISION	BY
C	11-30-06	(B-7) AVR (P5) VIEW CORRECTED [76490]	CRS
D	6-29-06	(C-2) NON-ECM ONLY NOTE ADDED [78676]	CRS
E	9-25-06	(A-2) NON-DECISION MAKER WAS "DECISION-MAKER" [78376] CRS	CRS
F	4-25-06	(C,D-5,6) SSEN TYPE 3 ADDED; SDMO & SPECTRUM VOIDED AND REMOVED [84202]	SEM
G	11-19-06	(A-3) P.T. CONNECTIONS (6 LEAD 600 VOLT) DETAIL ADDED [86648]	CRS

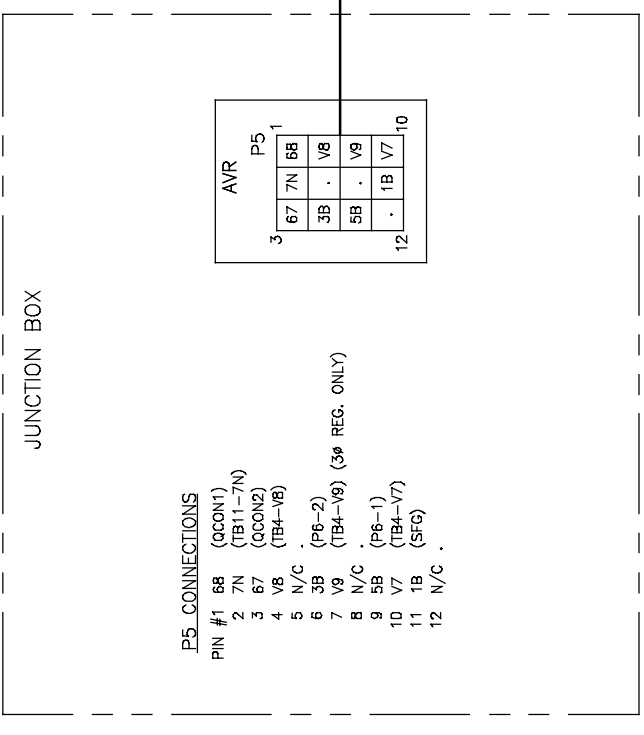
LEGEND

- AVR - AUTOMATIC VOLTAGE REGULATOR
- P(#)- PLUG
- PMG - PERMANENT MAGNET GENERATOR
- RRA - ROTATING RECTIFIER ASSEMBLY
- SLB - STATIONARY LIGHT EMITTING DIODE BOARD
- SSEN - SPEED SENSOR
- STAT - STATOR

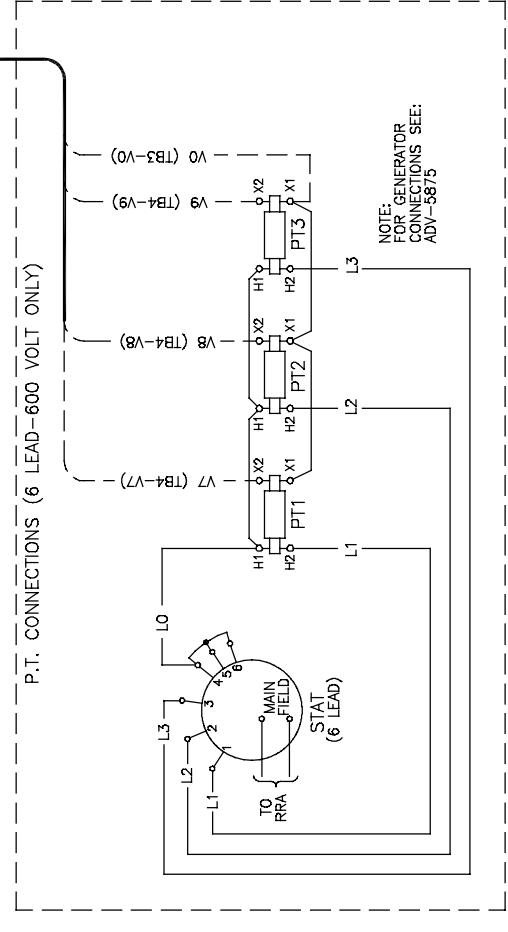
GENERATOR



- TYPE 3 CONNECTIONS**
- PIN #1 BLK BLACK
 - PIN #2 RED RED
 - PIN #3 WHT WHITE
 - PIN #4 S2 (S6) UNINSULATED



- TO CONTROLLER A.C. FUSE TERMINAL BLOCK (TB4) & C.T./METER SCALE TERMINAL BLOCK (TB3)
- TO CONTROLLER A.C. FUSE TERMINAL BLOCK (TB4) & QCON1, QCON2 AND
- TO JUNCTION BOX SAFEGUARD BREAKER (SFG) & SAFEGUARD BREAKER TERMINAL BLOCK (TB11)



FOR SCHEMATIC SEE ADV-6955.

APPROVALS	DATE	CHKD BY	DATE
DESIGNED	4-30-04	REVISED	1-1
DRAWN	4-30-04	REWORKED	5-6-04
APPROVED	5-6-04	REWORKED	5-6-04

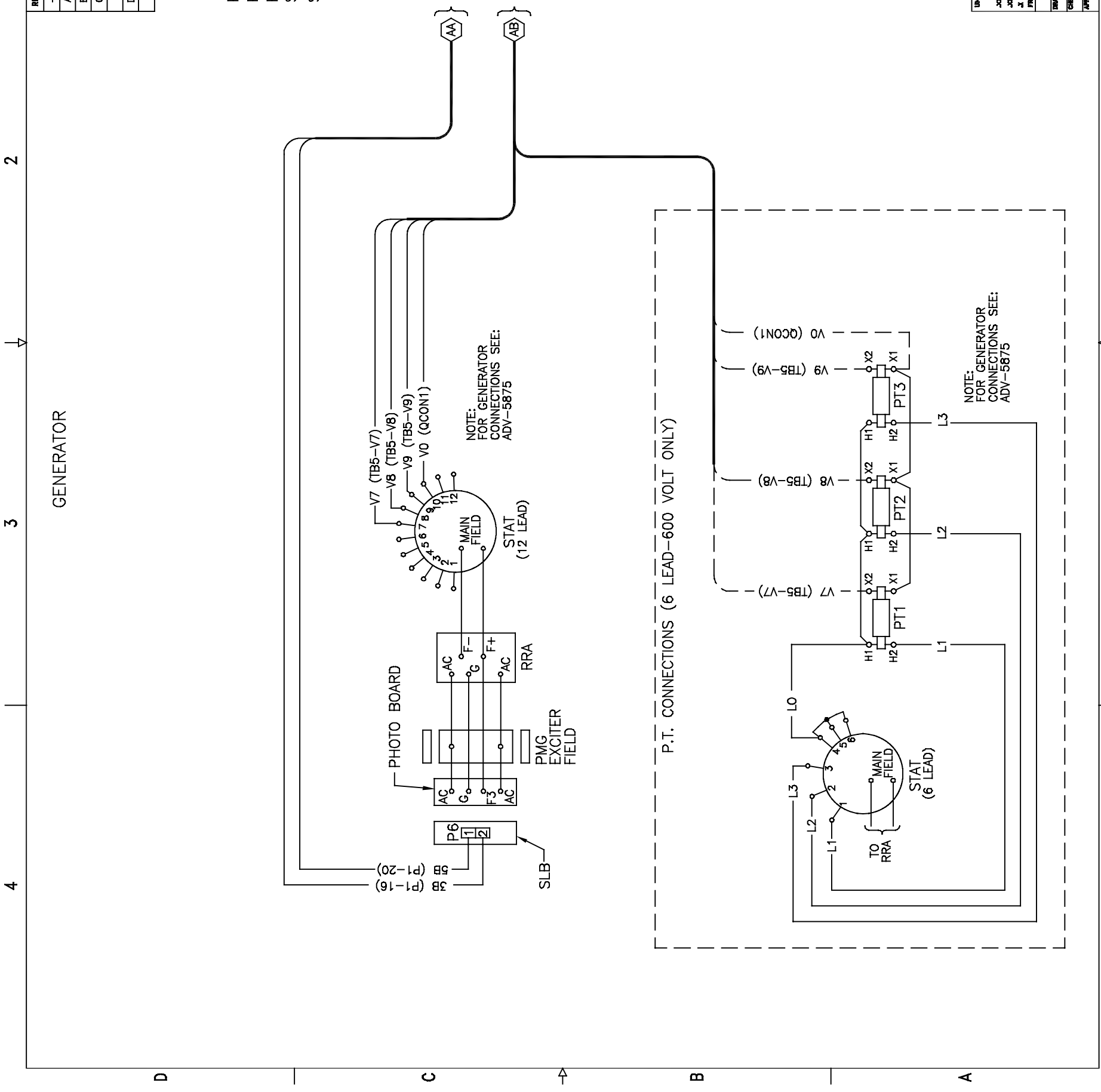
DIAGRAM, WIRING

FRIDAY NON-DECISION MAKER 550 CONTROLLER GM35941 D

REV	DATE	REVISION	BY	CHK
-	4-30-04	NEW DRAWING [71832]		
A	12-10-04	(A-1) "FOR SCHEMATIC" NOTE ADDED [73930]	DFS	
B	9-25-06	(B-3) ADV-5857 REMOVED [78376]	DFS	
C	11-19-08	(A-3) PT CONNECTIONS (6 LEAD 600 VOLT) DETAIL ADDED [86848]	CRS	
D	8-3-11	(A-2) FRIL & DECISION-MAKER 550 NOTE REMOVED [92098]	CRS	

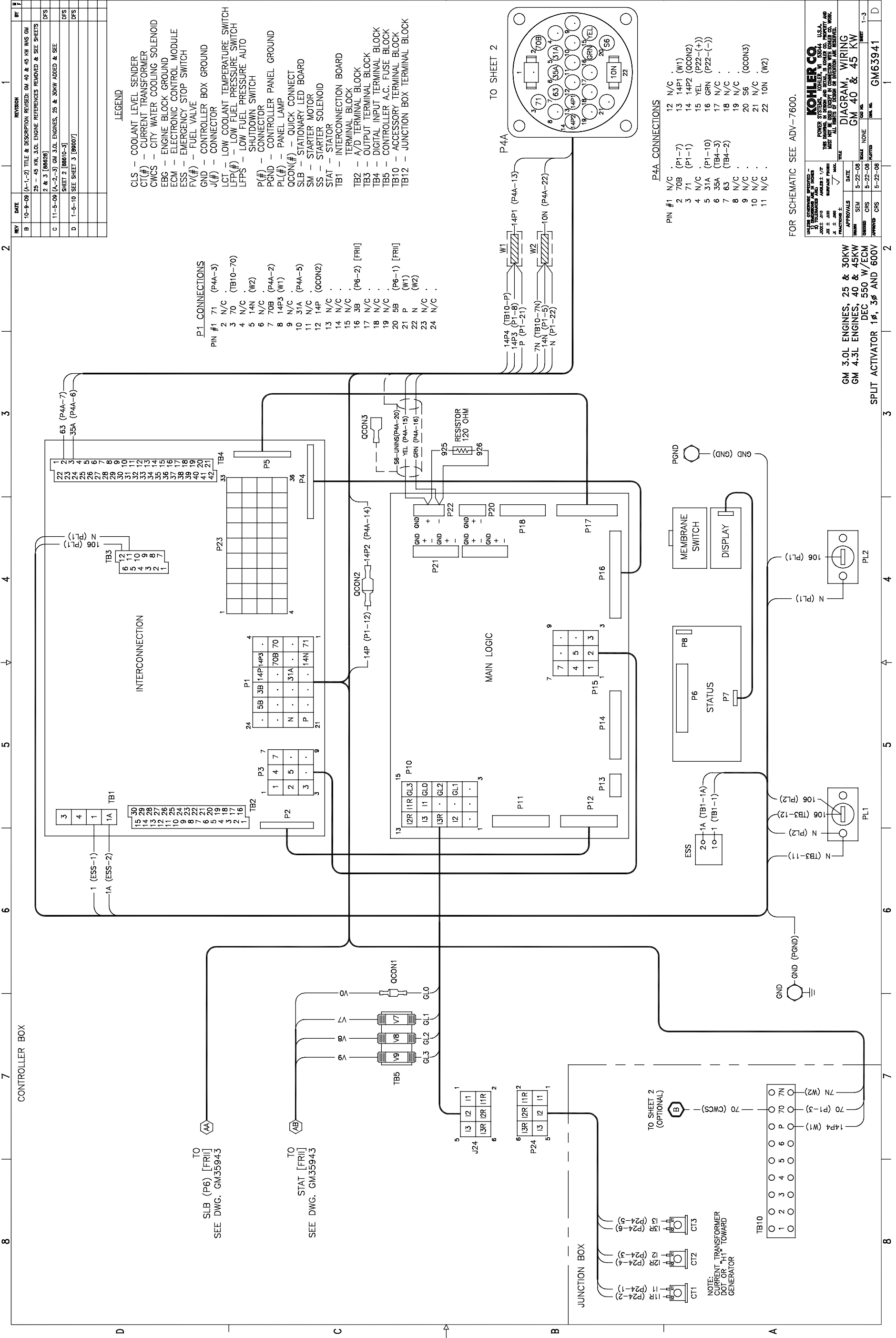
LEGEND

- P(#) - PLUG
- PMG - PERMANENT MAGNET GENERATOR
- RRA - ROTATING RECTIFIER ASSEMBLY
- SLB - STATIONARY LIGHT EMITTING DIODE BOARD
- STAT - STATOR



UNLESS OTHERWISE SPECIFIED - 1) DIMENSIONS ARE IN INCHES 2) TOLERANCES ARE: SIZE ± .010 SURFACE FINISH 3 ± .005 100/1000 FRACTIONS ± 4-30-04		KOHLER CO. POWER SYSTEMS, KOHLER, WI, 83044 U.S.A. THIS DRAWING IS IN PART A COPY OF THE ORIGINAL DRAWING AND IS NOT TO BE USED FOR REPRODUCTION OR REVISIONS WITHOUT THE WRITTEN PERMISSION OF KOHLER CO. ALL RIGHTS OF DESIGN OR INVENTION ARE RESERVED.	
APPROVALS		DATE	TITLE
DRAWN JS	5-8-04	5-8-04	DIAGRAM, WIRING
CHECKED JS	5-8-04		
APPROVED			
SCALE	///	CAD NO.	1-1
PLOTTED		DWG. NO.	GM35943

4 3 2 1



REV	DATE	REVISION	BY
B	10-9-08	(A-1-2) TITLE & DESCRIPTION REVISED; GM 4.0 & 4.5 KW WWS GM 25 & 45 KW, 3.0L ENGINE REFERENCES REMOVED & SEE SHEETS 2 & 3 [88629]	DPS
C	11-5-09	(A-2-3) GM 3.0L ENGINES, 25 & 30KW ADDED & SEE SHEET 2 [8810-3]	DPS
D	1-5-10	SEE SHEET 3 [89007]	DPS

REV	DATE	REVISION	BY
B	10-9-08	(A-1-2) TITLE & DESCRIPTION REVISED; GM 4.0 & 4.5 KW WWS GM 25 & 45 KW, 3.0L ENGINE REFERENCES REMOVED & SEE SHEETS 2 & 3 [88629]	DPS
C	11-5-09	(A-2-3) GM 3.0L ENGINES, 25 & 30KW ADDED & SEE SHEET 2 [8810-3]	DPS
D	1-5-10	SEE SHEET 3 [89007]	DPS

- LEGEND**
- CLS - COOLANT LEVEL SENDER
 - CT(#)- CURRENT TRANSFORMER
 - CWCS - CITY WATER COOLING SOLENOID
 - EBC - ENGINE BLOCK GROUND
 - ECM - ELECTRONIC CONTROL MODULE
 - ESS - EMERGENCY STOP SWITCH
 - FV(#)- FUEL VALVE
 - GND - CONTROLLER BOX GROUND
 - J(#)- CONNECTOR
 - LCT - LOW COOLANT TEMPERATURE SWITCH
 - LFP(#)- LOW FUEL PRESSURE SWITCH
 - LFPS - LOW FUEL PRESSURE AUTO SHUTDOWN SWITCH
 - P(#)- CONNECTOR
 - PGND - CONTROLLER PANEL GROUND
 - PL(#)- PANEL LAMP
 - QCON(#)- QUICK CONNECT
 - SLB - STATIONARY LED BOARD
 - SM - STARTER MOTOR
 - SS - STARTER SOLENOID
 - STAT - STATOR
 - TB1 - INTERCONNECTION BOARD
 - TB2 - TERMINAL BLOCK
 - TB3 - A/D TERMINAL BLOCK
 - TB4 - OUTPUT TERMINAL BLOCK
 - TB5 - DIGITAL INPUT TERMINAL BLOCK
 - TB6 - CONTROLLER A.C. FUSE BLOCK
 - TB10 - ACCESSORY TERMINAL BLOCK
 - TB12 - JUNCTION BOX TERMINAL BLOCK

- P1 CONNECTIONS**
- | | | |
|--------|------|--------------|
| PIN #1 | 71 | (P4A-3) |
| 2 | N/C | |
| 3 | 70 | (TB10-70) |
| 4 | N/C | |
| 5 | 14N | (W2) |
| 6 | N/C | |
| 7 | 70B | (P4A-2) |
| 8 | 14P3 | (W1) |
| 9 | N/C | |
| 10 | 31A | (P4A-5) |
| 11 | N/C | |
| 12 | 14P | (OCON2) |
| 13 | N/C | |
| 14 | N/C | |
| 15 | N/C | |
| 16 | 3B | (P6-2) [FR1] |
| 17 | N/C | |
| 18 | N/C | |
| 19 | N/C | |
| 20 | 5B | (P6-1) [FR1] |
| 21 | P | (W1) |
| 22 | N | (W2) |
| 23 | N/C | |
| 24 | N/C | |

- P44 CONNECTIONS**
- | | | | | | |
|--------|-----|---------|-----|------|---------|
| PIN #1 | N/C | 12 | N/C | | |
| 2 | 70B | (P1-7) | 13 | 14P1 | (W1) |
| 3 | 71 | (P1-1) | 14 | 14P2 | (OCON2) |
| 4 | N/C | | 15 | YEL | (P22-+) |
| 5 | 31A | (P1-10) | 16 | GRN | (P22--) |
| 6 | 35A | (TB4-3) | 17 | N/C | |
| 7 | 63 | (TB4-2) | 18 | N/C | |
| 8 | N/C | | 19 | N/C | |
| 9 | N/C | | 20 | S6 | (OCON3) |
| 10 | N/C | | 21 | N/C | |
| 11 | N/C | | 22 | 10N | (W2) |

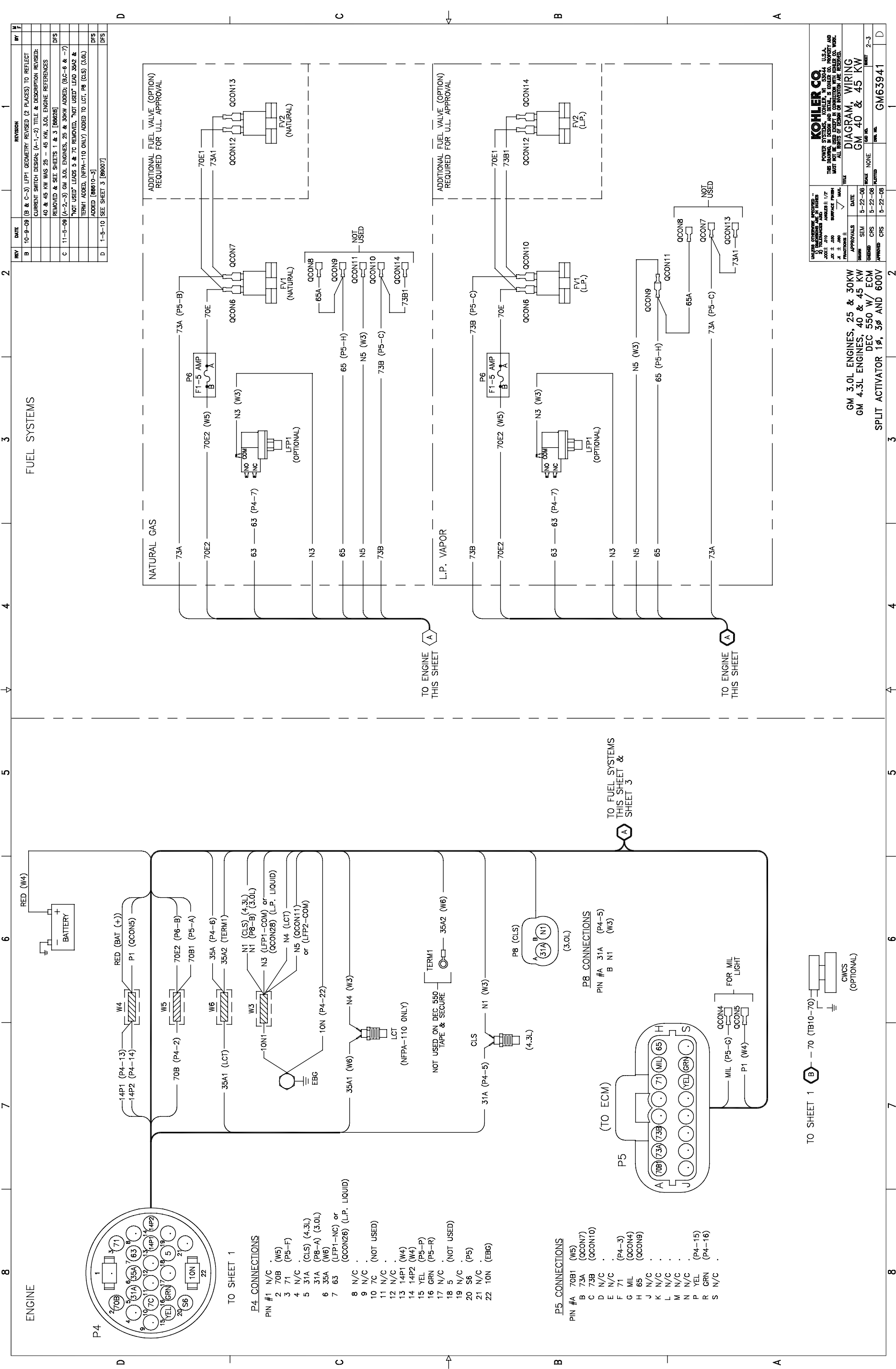
FOR SCHEMATIC SEE ADV-7600.

KOHLER CO. U.S.A.
 POWER SYSTEMS AND CONTROLS
 10000 WILSON AVENUE, SUITE 100
 JACKSONVILLE, FLORIDA 32216
 PHONE: 904-766-1111
 FAX: 904-766-1112
 E-MAIL: SALES@KOHLERPOWER.COM
 WWW.KOHLERPOWER.COM

DIAGRAM, WIRING
 GM 40 & 45 KW
 SCALE: NONE
 DATE: 5-22-08
 DRAWN: SEM
 CHECKED: CRS
 APPROVED: CRS

GM 3.0L ENGINES, 25 & 30KW
 GM 4.3L ENGINES, 40 & 45KW
 DEC 550 W/ECM
 SPLIT ACTIVATOR 1φ, 3φ AND 600V

REV. NO. GM 63941
 SHEET 1-3



UNLESS OTHERWISE INDICATED -

3) TERMINALS AND WIRING SHALL BE IN ACCORDANCE WITH THE FOLLOWING TABLE:

WIRE SIZE	INSULATION	TERMINATION
16 - 18 AWG	1/2" DIA. TUBING	WELD
19 - 22 AWG	3/8" DIA. TUBING	WELD
23 - 26 AWG	1/4" DIA. TUBING	WELD

APPROVALS

DESIGNED BY	DATE	SCALE	NO.	REV.
SEM	5-22-08	NONE		
CHKD	5-22-08			
APP'D	5-22-08			

DIAGRAM, WIRING

GM 40 & 45 KW

GM 3.0L ENGINES, 25 & 30KW

GM 4.3L ENGINES, 40 & 45 KW

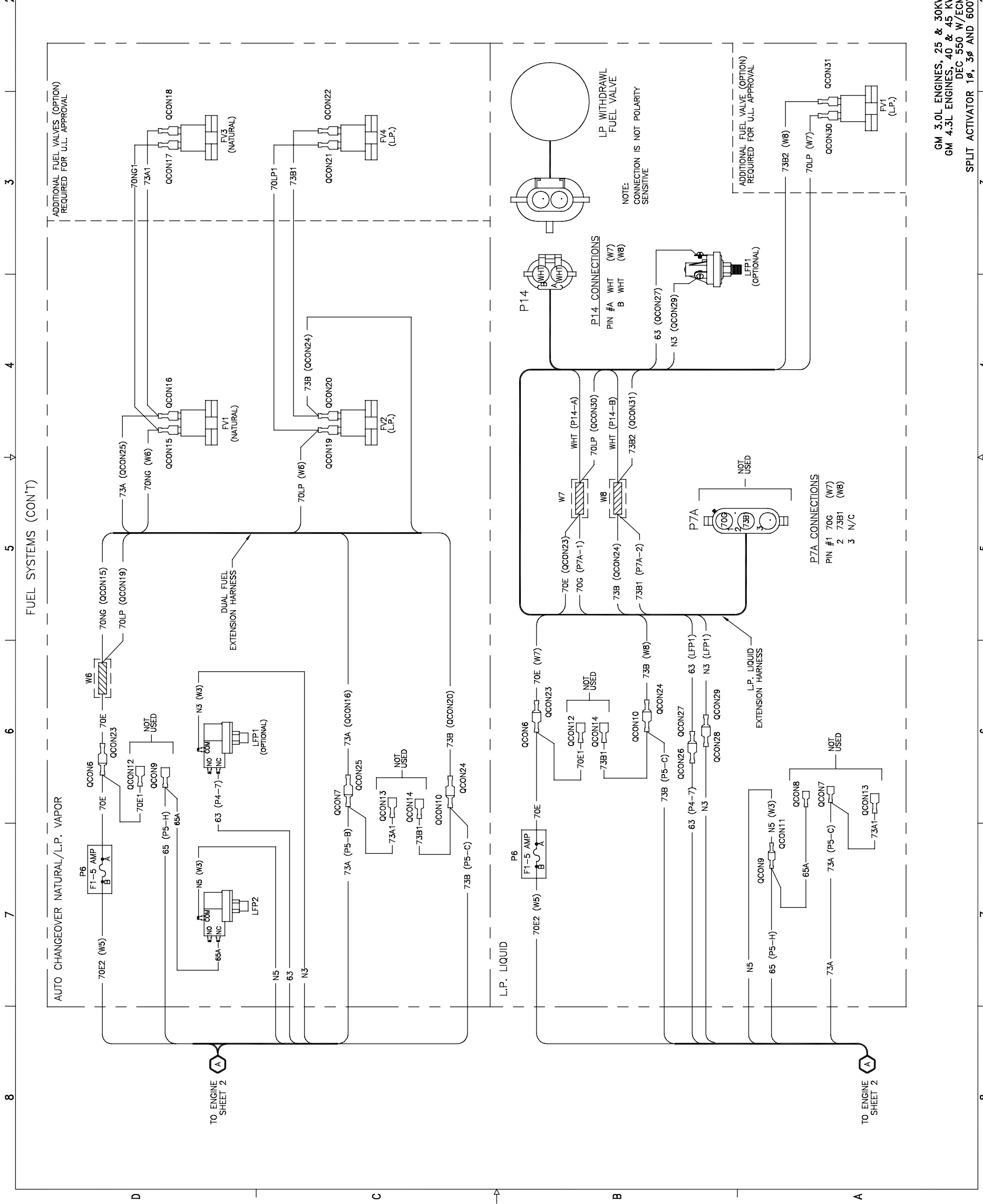
DEC 550 W/ ECM

SPLIT ACTIVATOR 1P, 3P AND 600V

GM63941

2-3

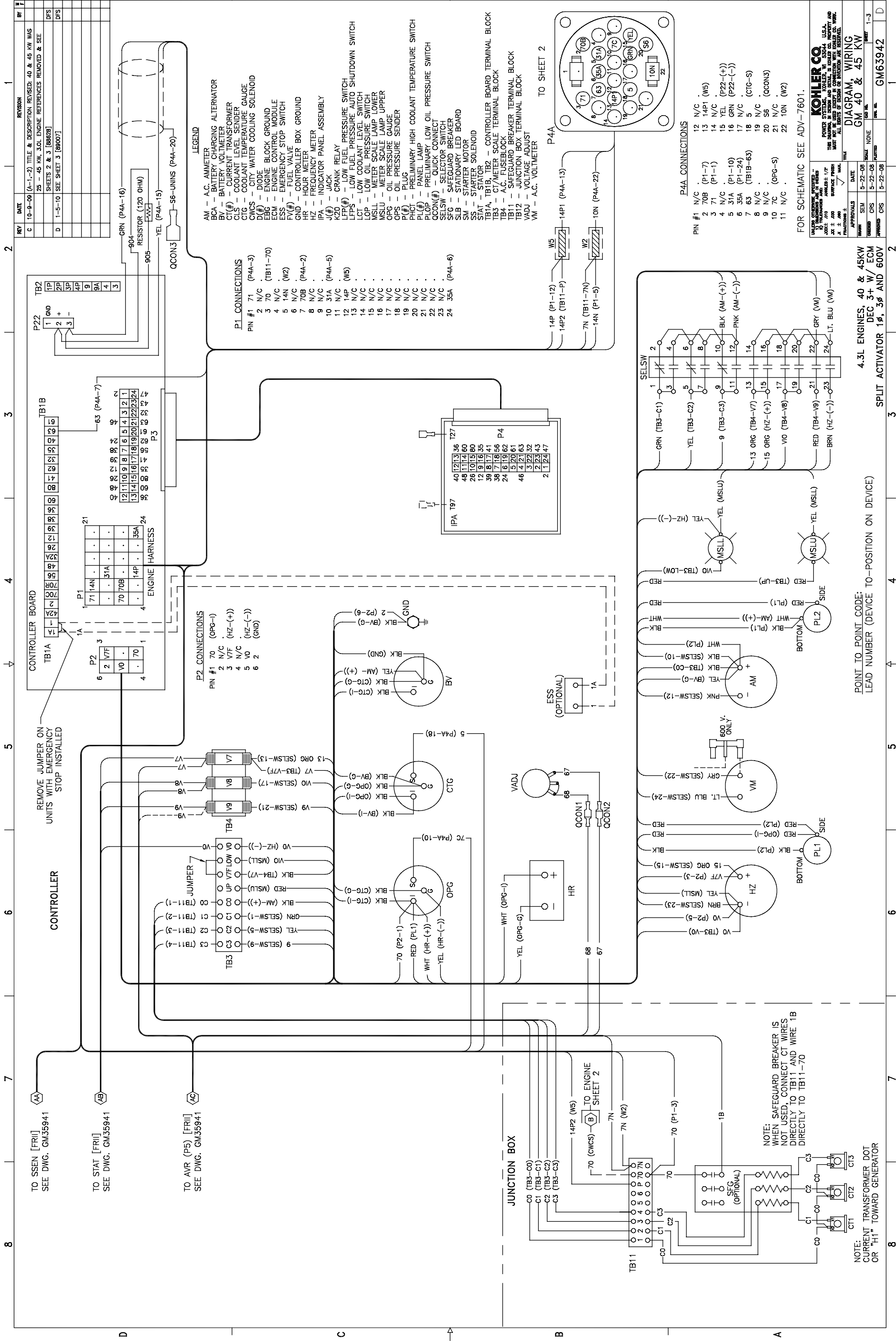
REV	DATE	REVISION	BY
B	10-9-08	(B-3-4) "P14" CONNECTOR REVISED (PIN A & B REVERSED) & PIN LETTERS REMOVED FROM WIRING CONNECTOR (B-7, D-6-7) LFP1 & LFP2 GEOMETRY REVISED TO REFLECT CURRENT SWITCH DESIGN; (A-2-3) TITLE & DESCRIPTION REVISED; 40 & 45 KW WAS 25 - 45 KW; 3.0L ENGINE REFERENCES REMOVED & SEE SHEETS 1 & 2 [88628]	DFS
C	11-5-09	(A-2-3) GM 3.0L ENGINES, 25 & 30KW ADDED & SEE SHEET 2 [88610-3]	DFS
D	1-5-09	(A & B-2 THRU -7) L.P. LIQUID WIRING REVISED TO REFLECT CURRENT EXTENSION HARNESS REVISIONS & CORRECT LFP1 GEOMETRY [80007]	DFS



UNLESS OTHERWISE SPECIFIED -	DATE	DATE	SCALE	UNIT	REV. NO.	REV. NO.
3) DIMENSIONS UNLESS OTHERWISE SPECIFIED ARE IN MILLIMETERS	DATE	DATE	SCALE	UNIT	REV. NO.	REV. NO.
APPROVALS	DATE	DATE	SCALE	UNIT	REV. NO.	REV. NO.
DESIGNED	8-30-08	7-1-09	NONE	MILL	3-3	
DRAWN	DFS	7-1-09				
CHECKED	CRS					
APPROVED	CRS					

GM 3.0L ENGINES, 25 & 30KW
 GM 4.3L ENGINES, 40 & 45 KW
 DEC 550 W/ECM
 SPLIT ACTIVATOR 1φ, 3φ AND 600V

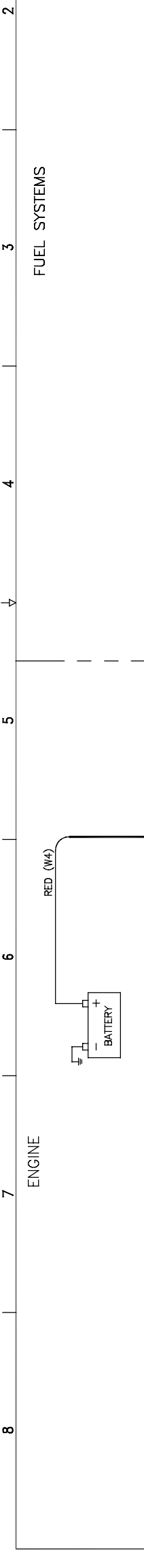
KOHLER CO. U.S.A.	
POWER SYSTEMS DIVISION, 10000 WALKER RD., MOOREVILLE, NC 28588	
THIS DRAWING IS THE PROPERTY OF KOHLER CO. IT IS TO BE USED ONLY FOR THE PROJECT AND MUST NOT BE USED FOR ANY OTHER PROJECT WITHOUT THE WRITTEN PERMISSION OF KOHLER CO.	
ALL RIGHTS OF DESIGN OR INVENTION ARE RESERVED.	
TITLE	DIAGRAM, WIRING
PROJECT NO.	GM 40 & 45 KW
DRAWING NO.	GM63941
REV. NO.	3-3



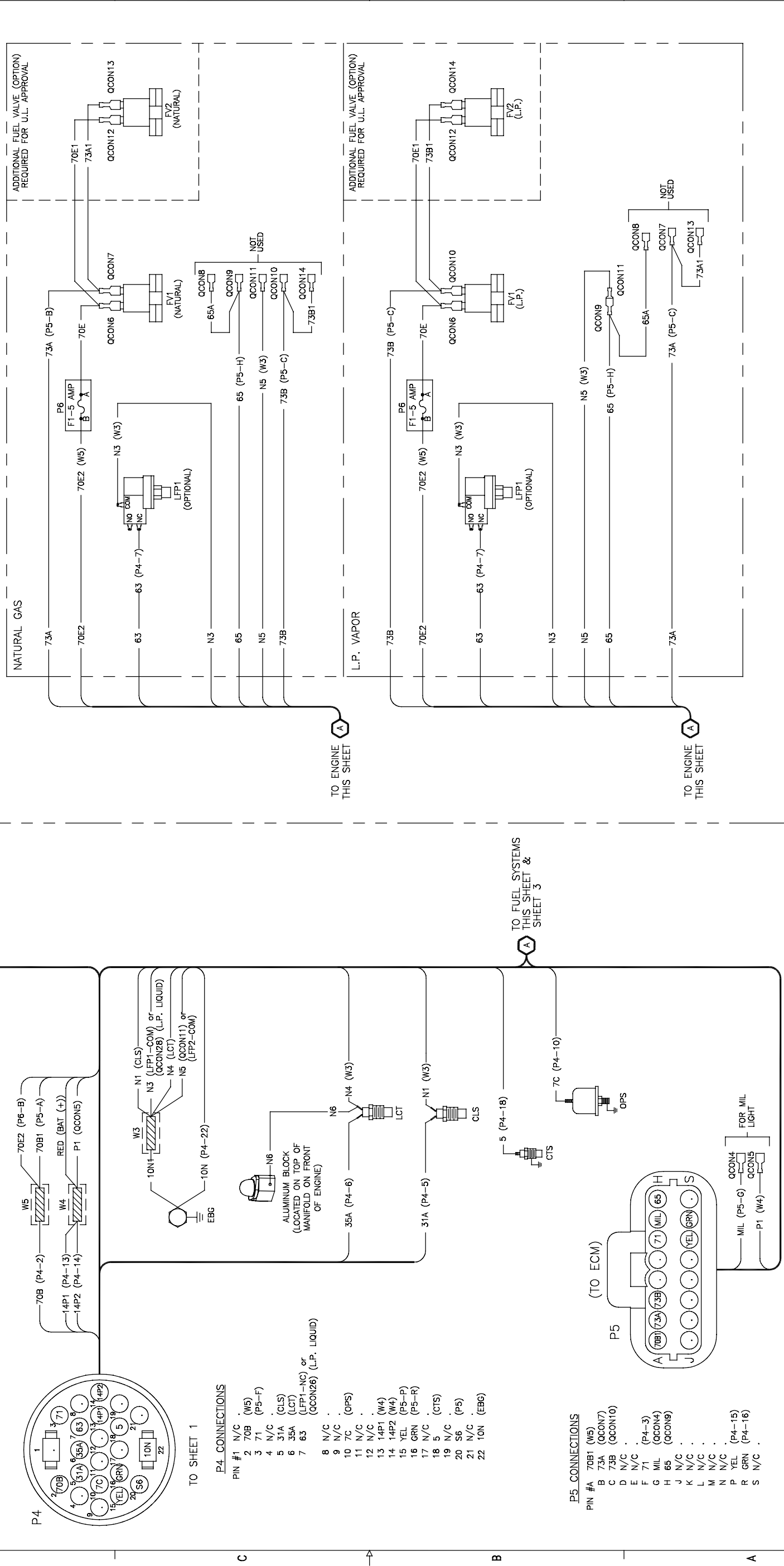
POINT TO POINT CODE:
 LEAD NUMBER (DEVICE TO-POSITION ON DEVICE)

4.3L ENGINES, 40 & 45KW
 DEC 3+ W/ ECM
 SPLIT ACTIVATOR 1φ, 3φ AND 600V

REV	DATE	REVISION	BY
B	6-30-08	FUEL SYSTEM COMPLETELY REDRAWN TO SHOW CORRECT VALVE AND CURRENT WIRING (A-1,2) SHEET 2-3 WAS 2-2 & SEE SHEETS 1 & 3 [87946]	
C	10-9-08	(B & C-3) LFP1 GEOMETRY REVISED (2 PLACES) TO REFLECT CURRENT SWITCH DESIGN (A-1,2) TITLE & DESCRIPTION REVISED. 40 & 45 KW WAS 20 - 45 KW. 3.0L ENGINE REFERENCES REMOVED & SEE SHEETS 1 & 3 [88286]	DPS
D	1-5-10	SEE SHEET 3 [89007]	DPS



FUEL SYSTEMS

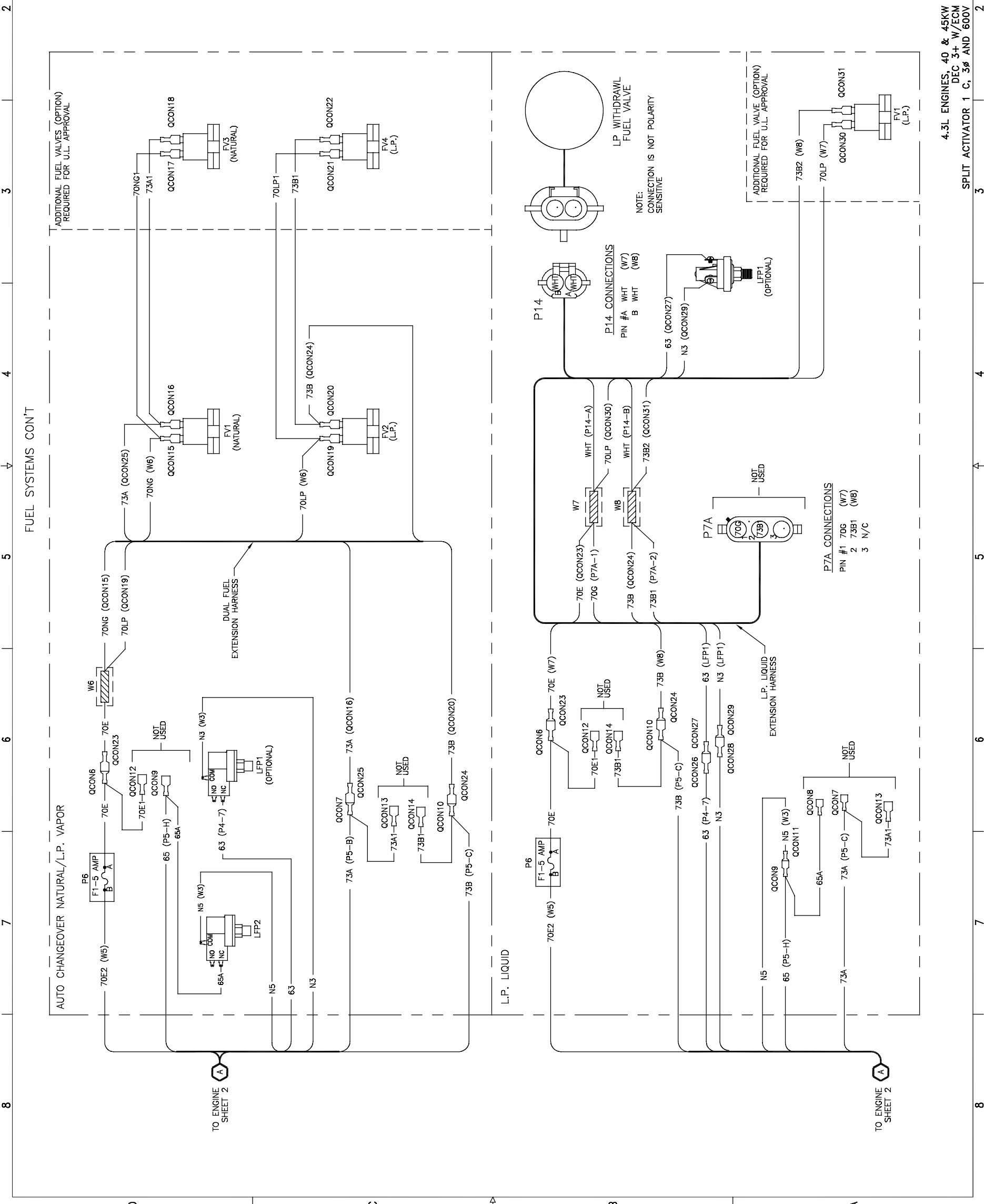


UNLESS OTHERWISE SPECIFIED -	DATE	DATE
3) TOLERANCES UNLESS NOTED:	✓	✓
ASSEMBLY ± 1/2	SEM	5-22-08
WELDING ± 1/16	CRS	5-22-08
ALL DIMENSIONS OF DESIGN OR INTENTION ARE EXCEPTED.	APPROVED	CRS
	DATE	DATE
	5-22-08	5-22-08
	SCALE	NONE
	PLATTED	SHEET 2-3
	REV. NO.	GM63942
	REV. DATE	

KOHLER CO. U.S.A.	
POWER SYSTEMS DIVISION	U.S.A.
10000 W. 100th Street, Grand Rapids, MI 49508	
THIS DRAWING IS UNLESS OTHERWISE NOTED, THE PROPERTY OF KOHLER CO. WORK MUST NOT BE USED EXCEPT IN CONNECTION WITH KOHLER CO. WORK.	
ALL DIMENSIONS OF DESIGN OR INTENTION ARE EXCEPTED.	

4.3L ENGINES, 40 & 45KW	
DEC 3+ W/ ECM	
SPLIT ACTIVATOR 1φ, 3φ AND 600V	

REV	DATE	REVISION	BY
B	6-30-09	(A-1) THIS SHEET ADDED: FUEL SYSTEMS COMPLETELY REDRAWN TO SHOW CORRECT VALVE & CURRENT WIRING & SEE SHEETS 1 & 2 [97945]	DFS
C	10-30-09	(B-3, -4) "P14" CONNECTOR REVISED (PINS A & B REVERSED) & PIN LETTERING REMOVED FROM MATING CONNECTOR. (B-7 & D-6, -7) LFP1 & LFP2 GEOMETRY REVISED (3 PLACES) TO REFLECT CURRENT SWITCH DESIGN: (A-1, -2) TITLE & DESCRIPTION REVISED: 40 & 45 KW W/MS 25 - 45 KW, 3.0L ENGINE REFERENCES REMOVED & SEE SHEETS 2 & 3 [98608]	DFS
D	1-5-10	(A & B-2 THRU -7) L.P. LIQUID WIRING REVISED TO REFLECT CURRENT EXTENSION HARNESS REVISIONS & CORRECT LFP1 GEOMETRY [89007]	DFS



APPROVALS	DATE	DATE	DATE
DESIGN	DFS	6-30-09	6-30-09
CHECKED	CRS	7-1-09	7-1-09
APPROVED	CRS	7-1-09	7-1-09

UNLESS OTHERWISE SPECIFIED -
 1) DIMENSIONS ARE IN INCHES
 2) DIMENSIONS ARE IN MILLIMETERS
 3) TOLERANCES UNLESS OTHERWISE SPECIFIED ARE:
 FRACTIONS ± .015
 DECIMALS ± .010
 ANGLES ± 1/2°
 HOLE DIA ± .010
 ALL DIMENSIONS EXCEPT AS NOTED ARE TO CENTER UNLESS OTHERWISE SPECIFIED.

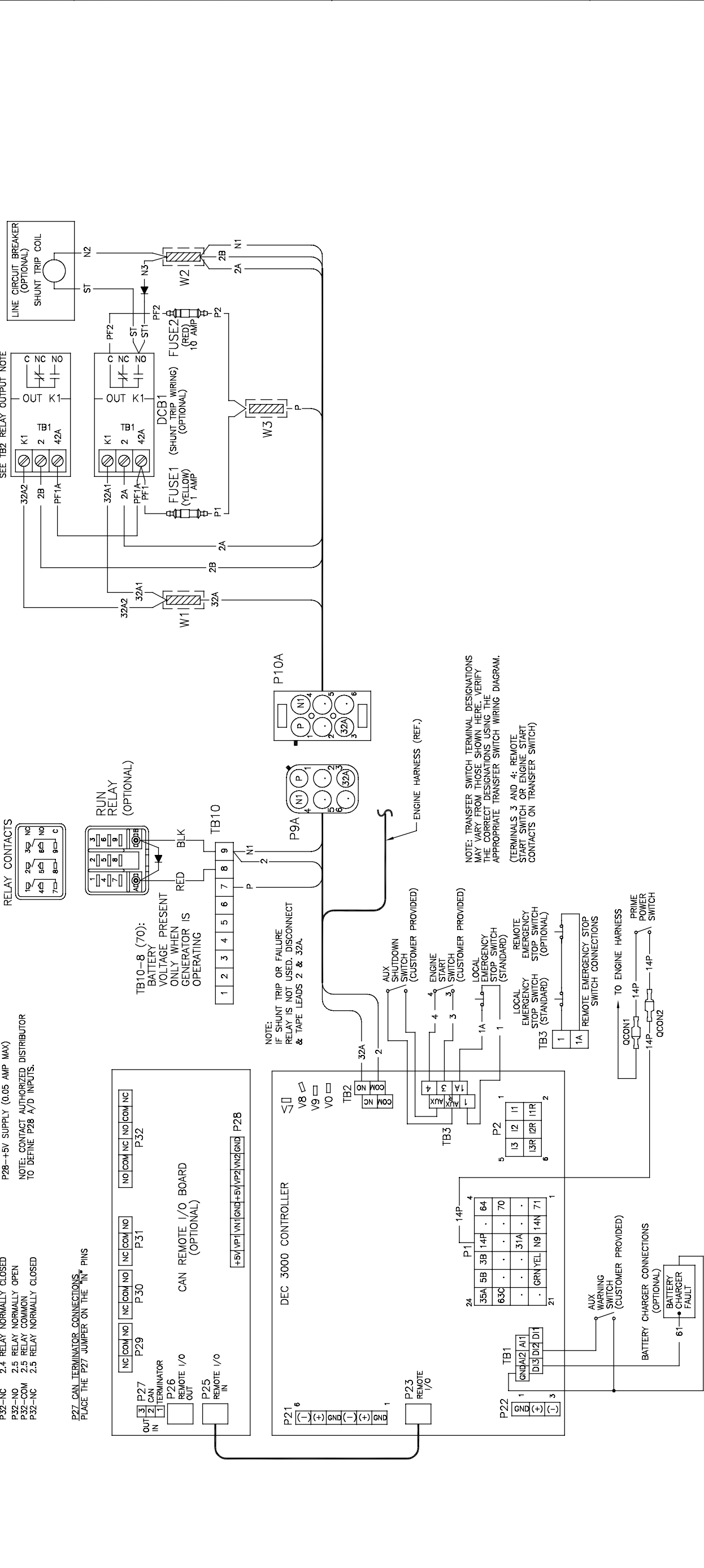
KOHLER CO.
 KOHLER POWER SYSTEMS GROUP
 10000 WILSON AVENUE
 WILSON, ILLINOIS 60190
 U.S.A.
 THIS DRAWING IS UNLESS OTHERWISE SPECIFIED THE PROPERTY AND COPYRIGHT OF KOHLER CO. NO PART MAY BE USED EXCEPT IN CONNECTION WITH KOHLER CO. WORK.
 ALL RIGHTS OF DESIGN OR INVENTION ARE RESERVED.

DIAGRAM, WIRING
 GM 40 & 45 KW
 SCALE NONE
 SHEET 3-3
 REV. NO. GM63942

4.3L ENGINES, 40 & 45KW
 DEC 3+ W/ECM
 SPLIT ACTIVATOR 1 C, 3Ø AND 600V

REV	DATE	REVISION	BY	CHK
-	2-09-09	NEW DRAWING [87731]		
A	11-24-09	(D-6, A-7, A-6) NOTES UPDATED [88773]		TJK
B	2-04-10	(B-6) VO, V7-V9 WERE P3; (B-6) P22 ADDED; (B & C-3,-4) AC HARNESS P9/P10 REMOVED; (C-D-2,-3) W2 WELD REMOVED; LEADS 2A & 2B RE-ROUTED TO W2; (C-5,-6) SHUNT TRIP/FAILURE RELAY NOTE ADDED [88239]		TJK

LEGEND
P(#)- PLUG
QCON(#)- QUICK CONNECT
TB(#)- TERMINAL BLOCK
W(#)- SONIC WELD



UNLESS OTHERWISE INDICATED -	DATE	SCALE	BY	CHK
3) WIRING IS AS SHOWN				
4) WIRING IS AS SHOWN				
5) WIRING IS AS SHOWN				
6) WIRING IS AS SHOWN				
7) WIRING IS AS SHOWN				
8) WIRING IS AS SHOWN				
9) WIRING IS AS SHOWN				
10) WIRING IS AS SHOWN				
11) WIRING IS AS SHOWN				
12) WIRING IS AS SHOWN				
13) WIRING IS AS SHOWN				
14) WIRING IS AS SHOWN				
15) WIRING IS AS SHOWN				
16) WIRING IS AS SHOWN				
17) WIRING IS AS SHOWN				
18) WIRING IS AS SHOWN				
19) WIRING IS AS SHOWN				
20) WIRING IS AS SHOWN				
21) WIRING IS AS SHOWN				
22) WIRING IS AS SHOWN				
23) WIRING IS AS SHOWN				
24) WIRING IS AS SHOWN				
25) WIRING IS AS SHOWN				
26) WIRING IS AS SHOWN				
27) WIRING IS AS SHOWN				
28) WIRING IS AS SHOWN				
29) WIRING IS AS SHOWN				
30) WIRING IS AS SHOWN				
31) WIRING IS AS SHOWN				
32) WIRING IS AS SHOWN				
33) WIRING IS AS SHOWN				
34) WIRING IS AS SHOWN				
35) WIRING IS AS SHOWN				
36) WIRING IS AS SHOWN				
37) WIRING IS AS SHOWN				
38) WIRING IS AS SHOWN				
39) WIRING IS AS SHOWN				
40) WIRING IS AS SHOWN				
41) WIRING IS AS SHOWN				
42) WIRING IS AS SHOWN				
43) WIRING IS AS SHOWN				
44) WIRING IS AS SHOWN				
45) WIRING IS AS SHOWN				
46) WIRING IS AS SHOWN				
47) WIRING IS AS SHOWN				
48) WIRING IS AS SHOWN				
49) WIRING IS AS SHOWN				
50) WIRING IS AS SHOWN				
51) WIRING IS AS SHOWN				
52) WIRING IS AS SHOWN				
53) WIRING IS AS SHOWN				
54) WIRING IS AS SHOWN				
55) WIRING IS AS SHOWN				
56) WIRING IS AS SHOWN				
57) WIRING IS AS SHOWN				
58) WIRING IS AS SHOWN				
59) WIRING IS AS SHOWN				
60) WIRING IS AS SHOWN				
61) WIRING IS AS SHOWN				
62) WIRING IS AS SHOWN				
63) WIRING IS AS SHOWN				
64) WIRING IS AS SHOWN				
65) WIRING IS AS SHOWN				
66) WIRING IS AS SHOWN				
67) WIRING IS AS SHOWN				
68) WIRING IS AS SHOWN				
69) WIRING IS AS SHOWN				
70) WIRING IS AS SHOWN				
71) WIRING IS AS SHOWN				
72) WIRING IS AS SHOWN				
73) WIRING IS AS SHOWN				
74) WIRING IS AS SHOWN				
75) WIRING IS AS SHOWN				
76) WIRING IS AS SHOWN				
77) WIRING IS AS SHOWN				
78) WIRING IS AS SHOWN				
79) WIRING IS AS SHOWN				
80) WIRING IS AS SHOWN				
81) WIRING IS AS SHOWN				
82) WIRING IS AS SHOWN				
83) WIRING IS AS SHOWN				
84) WIRING IS AS SHOWN				
85) WIRING IS AS SHOWN				
86) WIRING IS AS SHOWN				
87) WIRING IS AS SHOWN				
88) WIRING IS AS SHOWN				
89) WIRING IS AS SHOWN				
90) WIRING IS AS SHOWN				
91) WIRING IS AS SHOWN				
92) WIRING IS AS SHOWN				
93) WIRING IS AS SHOWN				
94) WIRING IS AS SHOWN				
95) WIRING IS AS SHOWN				
96) WIRING IS AS SHOWN				
97) WIRING IS AS SHOWN				
98) WIRING IS AS SHOWN				
99) WIRING IS AS SHOWN				
100) WIRING IS AS SHOWN				

INSTALLATION NOTE:
FOR FIELD INSTALLATION A MAXIMUM OF TWO WIRE TERMINALS PER TERMINAL STRIP SCREW IS RECOMMENDED UNLESS OTHERWISE NOTED ON THE WIRING DIAGRAM. DO NOT EXTEND ABOVE THE TERMINAL STRIP BARRIER.

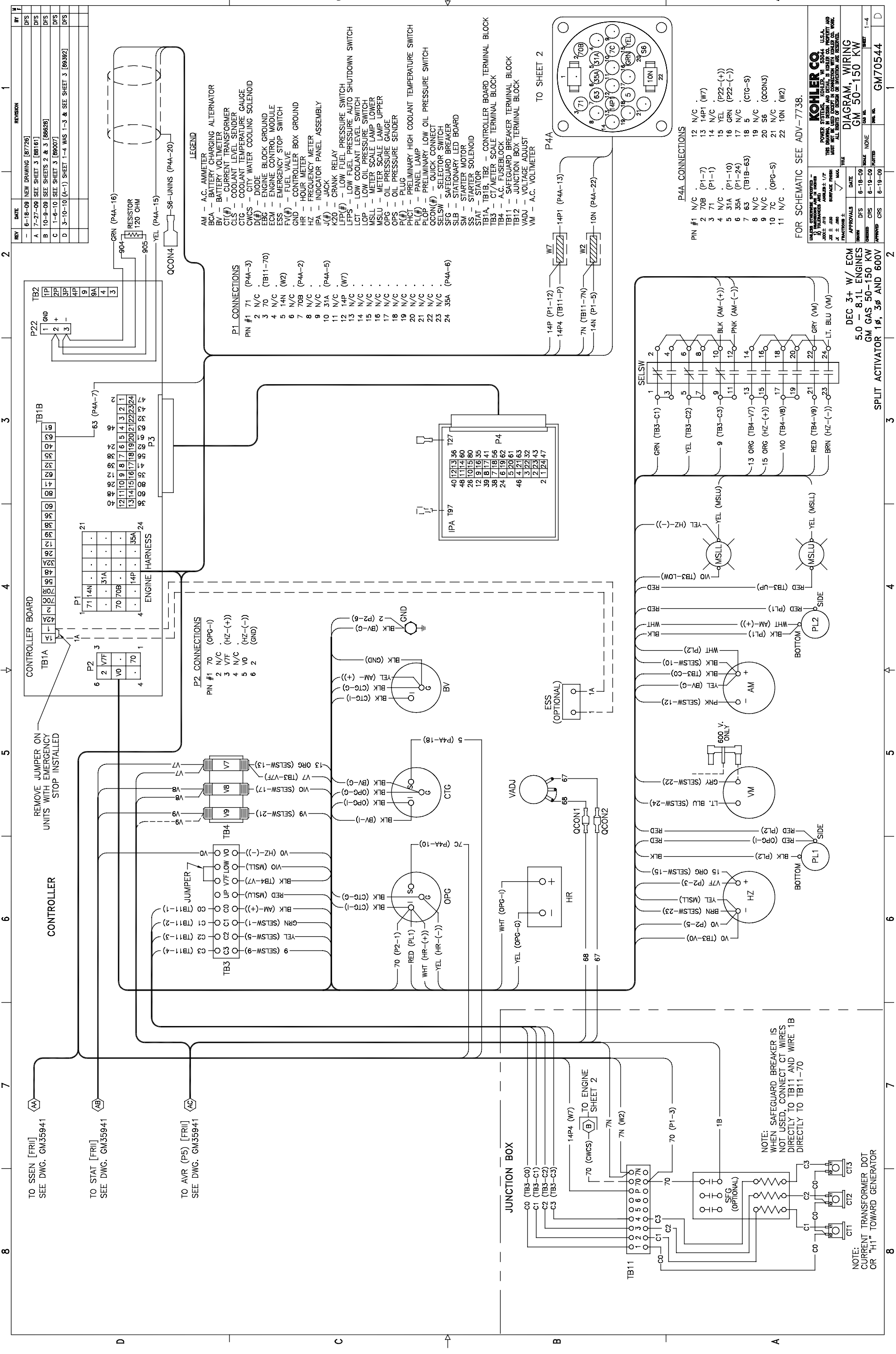
NOTE: TRANSFER SWITCH TERMINAL DESIGNATIONS MAY VARY FROM THOSE SHOWN HERE. VERIFY THE CORRECT DESIGNATIONS USING THE APPROPRIATE TRANSFER SWITCH WIRING DIAGRAM.
(TERMINALS 3 AND 4: REMOTE START SWITCH OR ENGINE START CONTACTS ON TRANSFER SWITCH)

NOTE: CONTACT AUTHORIZED DISTRIBUTOR TO DEFINE P28 A/D INPUTS.

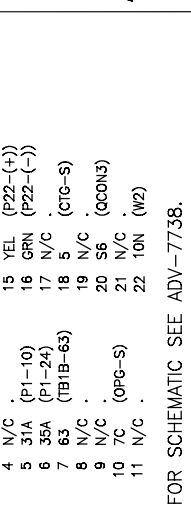
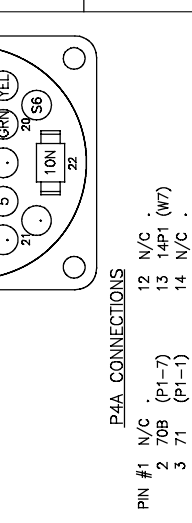
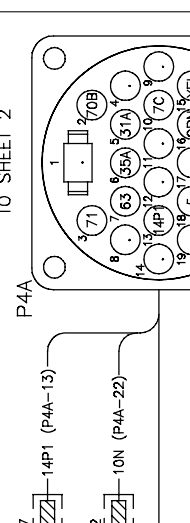
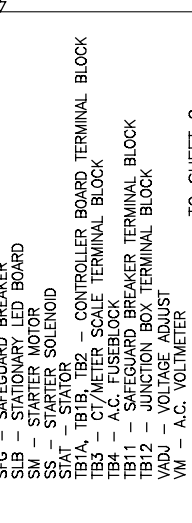
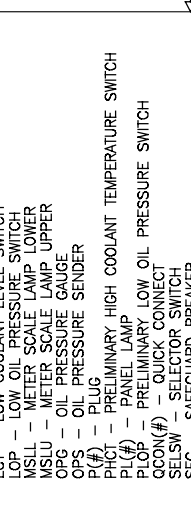
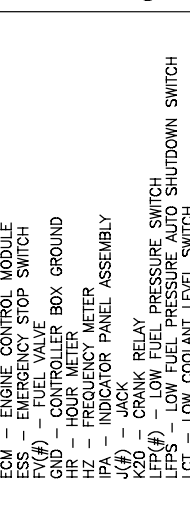
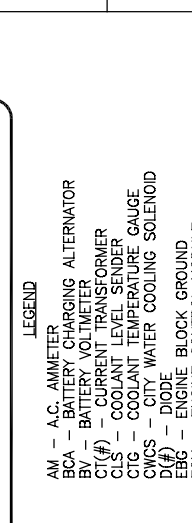
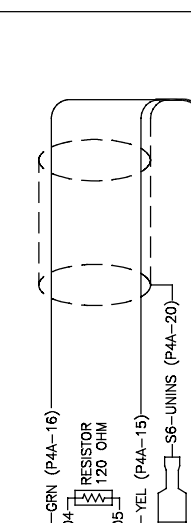
NOTE: CONTACT AUTHORIZED DISTRIBUTOR TO DEFINE P28 A/D INPUTS.

NOTE: CONTACT AUTHORIZED DISTRIBUTOR TO DEFINE P28 A/D INPUTS.

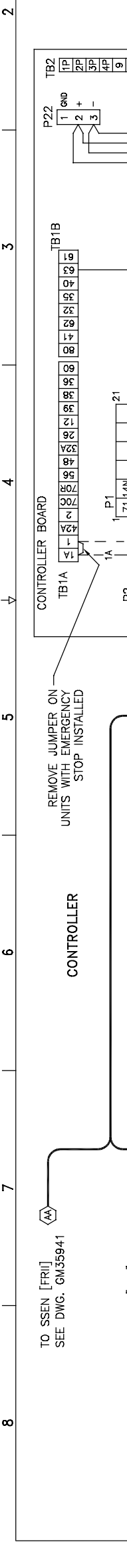
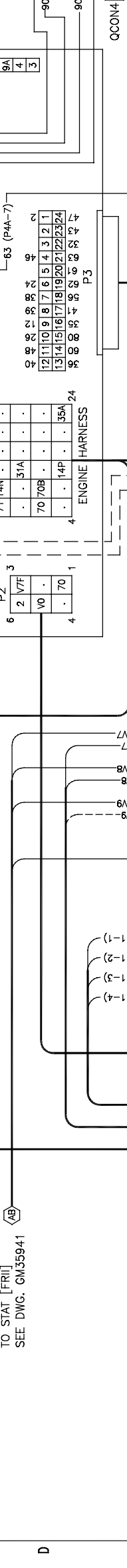
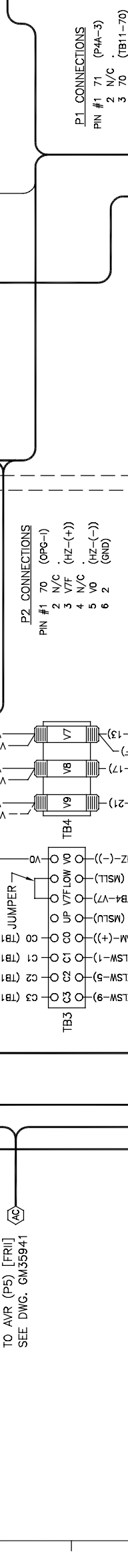
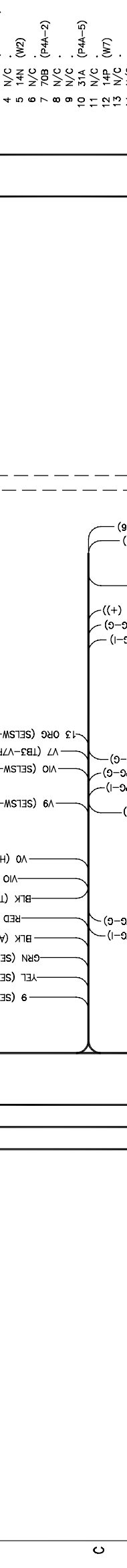
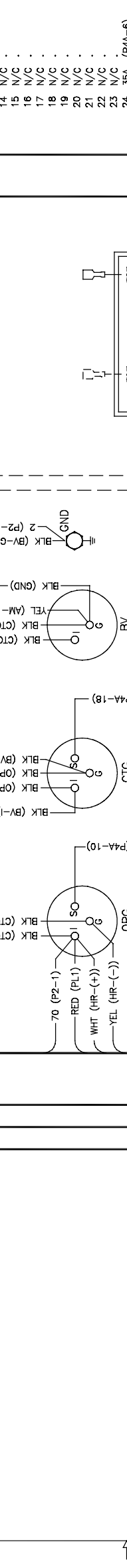
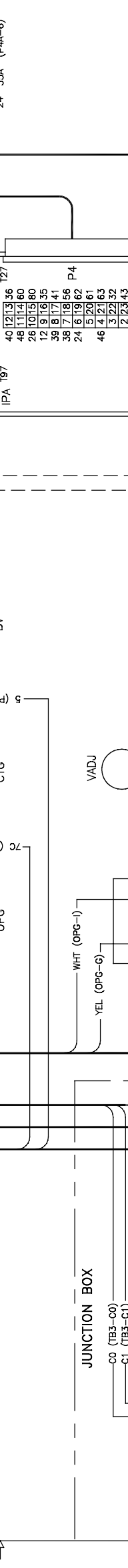
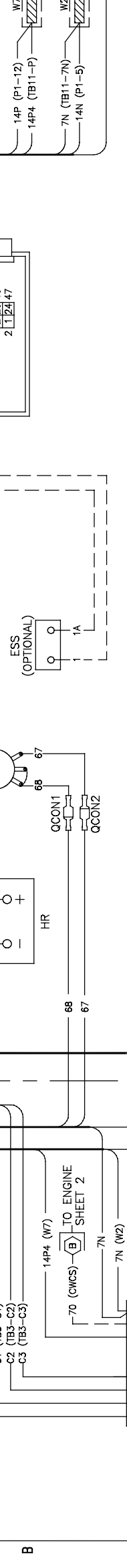
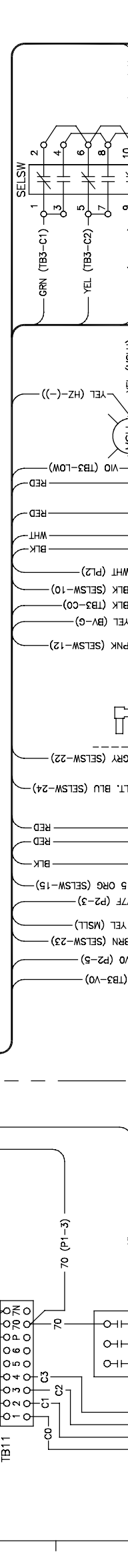
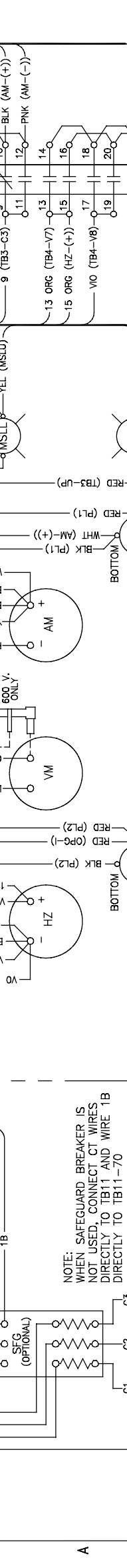
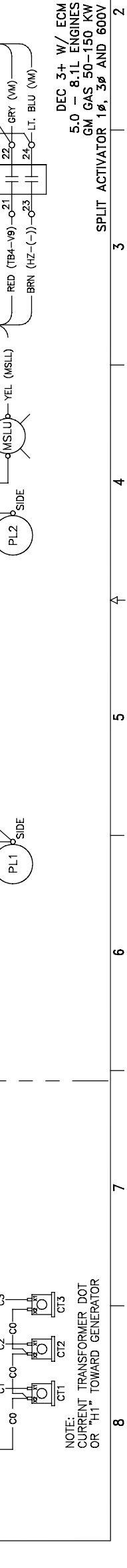
NOTE: CONTACT AUTHORIZED DISTRIBUTOR TO DEFINE P28 A/D INPUTS.



REV	DATE	REVISION	BY
-	6-18-09	NEW DRAWING [B7726]	DFS
A	7-27-09	SEE SHEET 3 [88161]	DFS
B	10-9-09	SEE SHEETS 2 & 3 [88626]	DFS
C	1-6-10	SEE SHEET 3 [89007]	DFS
D	3-10-10	(A-1) SHEET 1-4 WAS 1-3 & SEE SHEET 3 [89392]	DFS



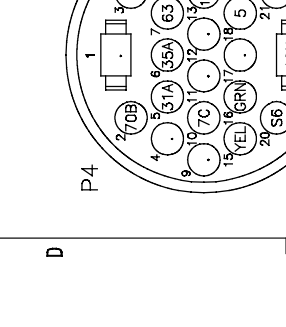
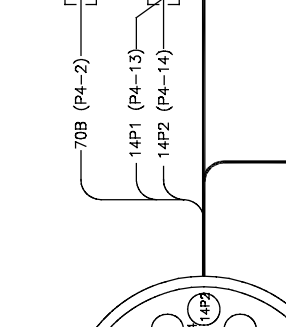
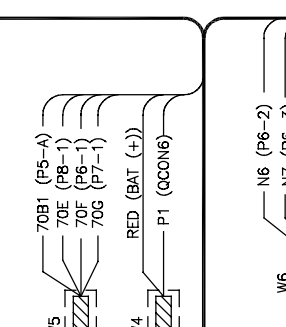
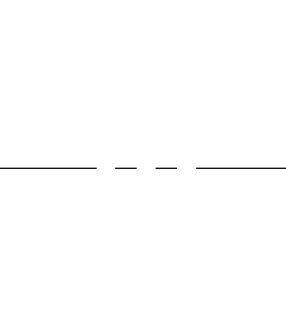
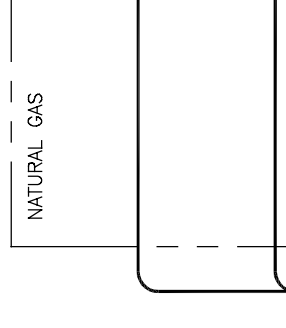
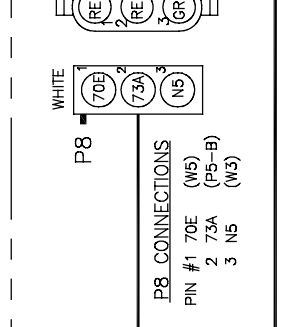
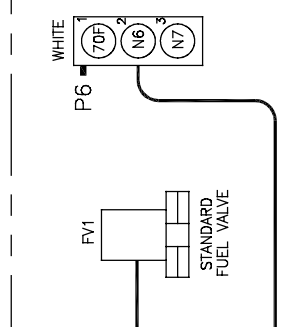
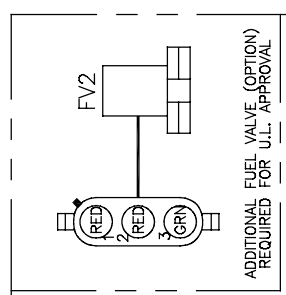
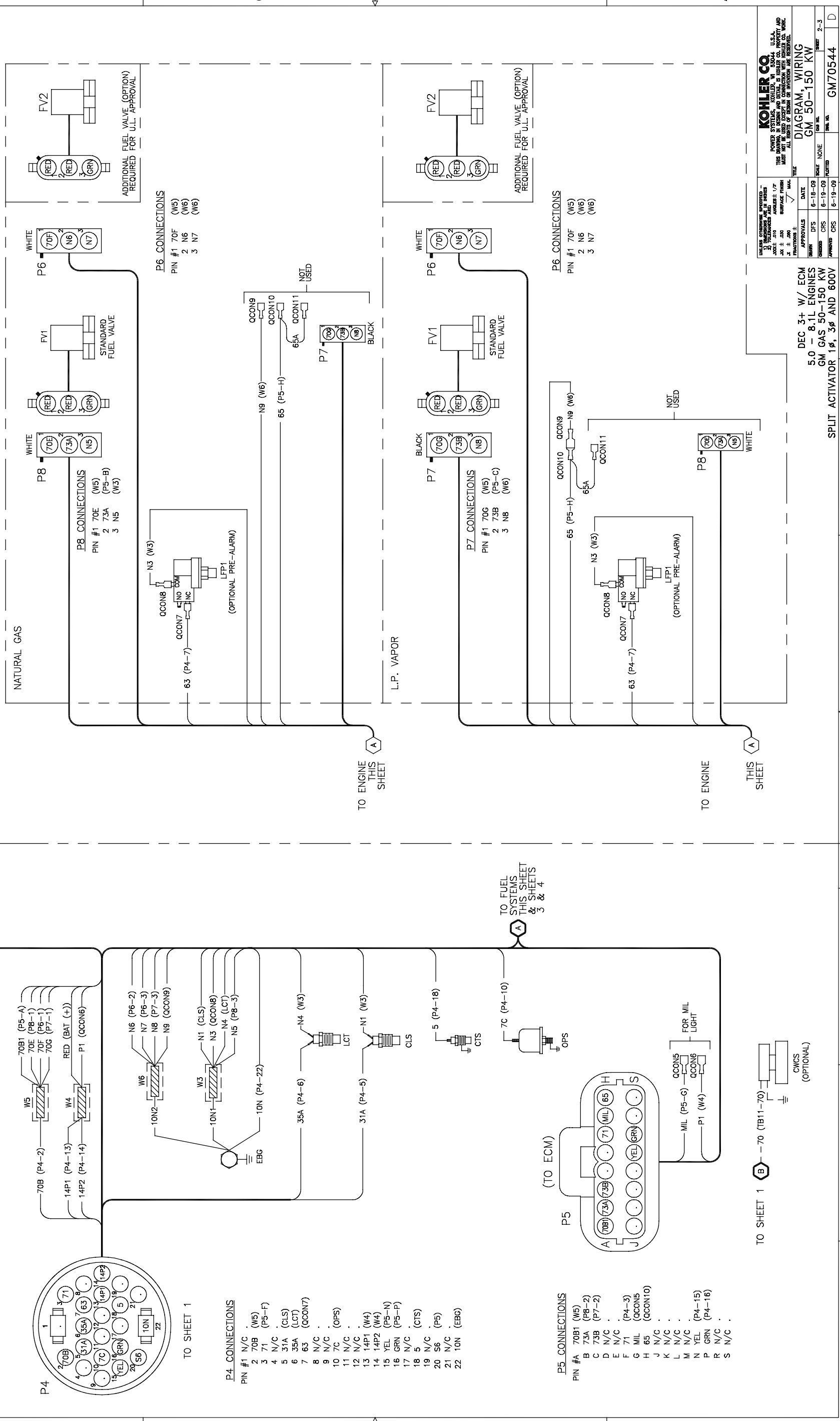
PIN #1	N/C	12	N/C
2	70B (P1-7)	13	14P1 (W7)
3	71 (P1-1)	14	N/C
4	N/C	15	YEL (P22-(+))
5	31A (P1-10)	16	GRN (P22-(-))
6	35A (P1-24)	17	N/C
7	63 (TB1B-63)	18	5 (CTG-S)
8	N/C	19	N/C
9	N/C	20	56 (QCON3)
10	7C (OPG-S)	21	N/C
11	N/C	22	10N (W2)



REV	DATE	REVISION	BY
-	6-18-09	NEW DRAWING [67726]	DPS
A	7-27-09	SEE SHEET 3 [8616]	DPS
B	10-9-09	(A-4 & D-4) LFP1 GEOMETRY REVISED (2 PLACES) TO REFLECT CURRENT SWITCH DESIGN & SEE SHEET 3 [86628]	DPS
C	1-6-10	SEE SHEET 3 [80007]	DPS
D	3-10-10	(A-1) SHEET 2-4 WAS 2-3 & SEE SHEET 3 [86392]	DPS

REV	DATE	REVISION	BY
-	6-18-09	NEW DRAWING [67726]	DPS
A	7-27-09	SEE SHEET 3 [8616]	DPS
B	10-9-09	(A-4 & D-4) LFP1 GEOMETRY REVISED (2 PLACES) TO REFLECT CURRENT SWITCH DESIGN & SEE SHEET 3 [86628]	DPS
C	1-6-10	SEE SHEET 3 [80007]	DPS
D	3-10-10	(A-1) SHEET 2-4 WAS 2-3 & SEE SHEET 3 [86392]	DPS

REV	DATE	REVISION	BY
-	6-18-09	NEW DRAWING [67726]	DPS
A	7-27-09	SEE SHEET 3 [8616]	DPS
B	10-9-09	(A-4 & D-4) LFP1 GEOMETRY REVISED (2 PLACES) TO REFLECT CURRENT SWITCH DESIGN & SEE SHEET 3 [86628]	DPS
C	1-6-10	SEE SHEET 3 [80007]	DPS
D	3-10-10	(A-1) SHEET 2-4 WAS 2-3 & SEE SHEET 3 [86392]	DPS

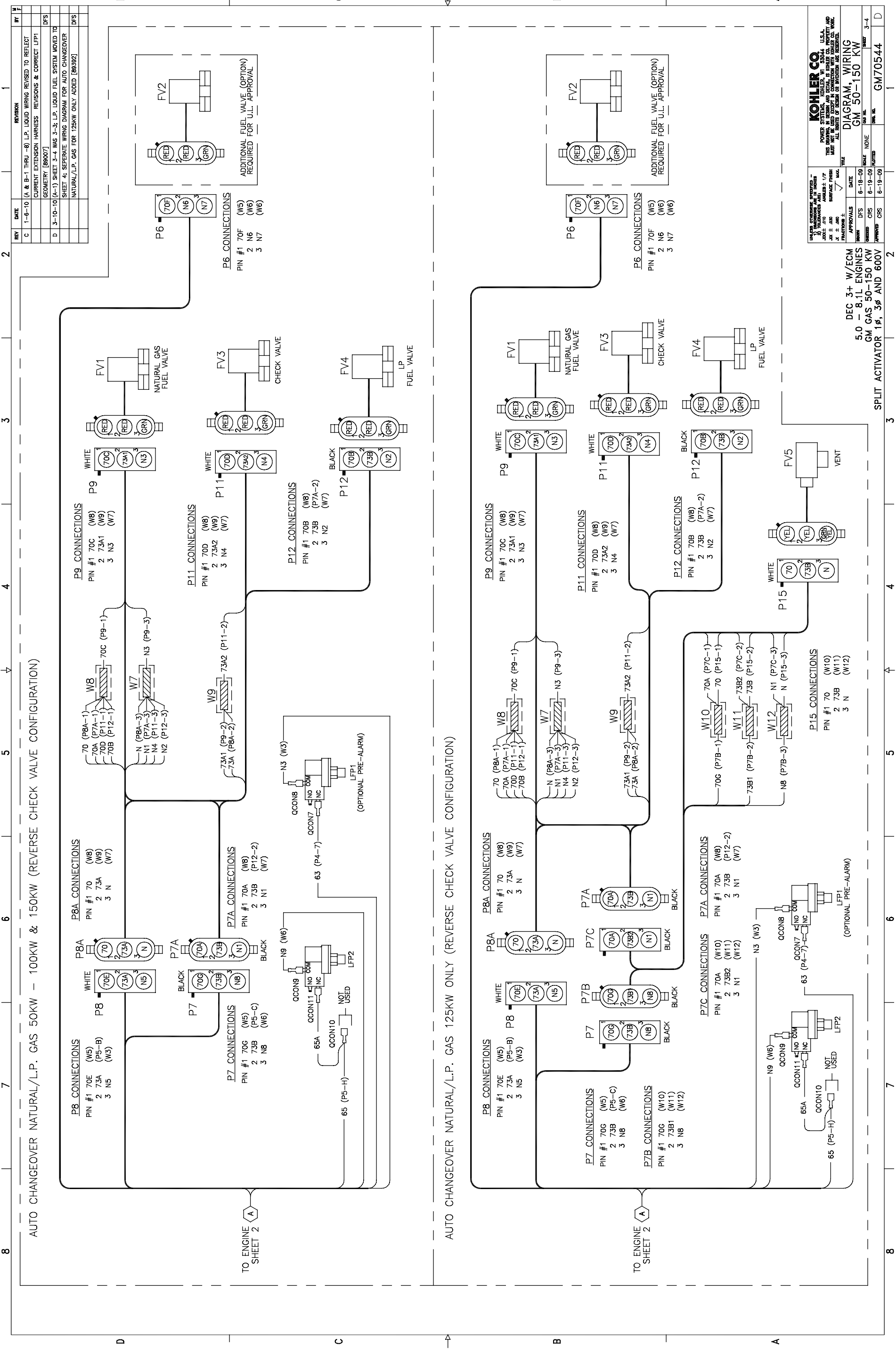


REV	DATE	REVISION	BY
-	6-18-09	NEW DRAWING [67726]	DPS
A	7-27-09	SEE SHEET 3 [8616]	DPS
B	10-9-09	(A-4 & D-4) LFP1 GEOMETRY REVISED (2 PLACES) TO REFLECT CURRENT SWITCH DESIGN & SEE SHEET 3 [86628]	DPS
C	1-6-10	SEE SHEET 3 [80007]	DPS
D	3-10-10	(A-1) SHEET 2-4 WAS 2-3 & SEE SHEET 3 [86392]	DPS

REV	DATE	REVISION	BY
-	6-18-09	NEW DRAWING [67726]	DPS
A	7-27-09	SEE SHEET 3 [8616]	DPS
B	10-9-09	(A-4 & D-4) LFP1 GEOMETRY REVISED (2 PLACES) TO REFLECT CURRENT SWITCH DESIGN & SEE SHEET 3 [86628]	DPS
C	1-6-10	SEE SHEET 3 [80007]	DPS
D	3-10-10	(A-1) SHEET 2-4 WAS 2-3 & SEE SHEET 3 [86392]	DPS

REV	DATE	REVISION	BY
-	6-18-09	NEW DRAWING [67726]	DPS
A	7-27-09	SEE SHEET 3 [8616]	DPS
B	10-9-09	(A-4 & D-4) LFP1 GEOMETRY REVISED (2 PLACES) TO REFLECT CURRENT SWITCH DESIGN & SEE SHEET 3 [86628]	DPS
C	1-6-10	SEE SHEET 3 [80007]	DPS
D	3-10-10	(A-1) SHEET 2-4 WAS 2-3 & SEE SHEET 3 [86392]	DPS

REV	DATE	REVISION	BY
-	6-18-09	NEW DRAWING [67726]	DPS
A	7-27-09	SEE SHEET 3 [8616]	DPS
B	10-9-09	(A-4 & D-4) LFP1 GEOMETRY REVISED (2 PLACES) TO REFLECT CURRENT SWITCH DESIGN & SEE SHEET 3 [86628]	DPS
C	1-6-10	SEE SHEET 3 [80007]	DPS
D	3-10-10	(A-1) SHEET 2-4 WAS 2-3 & SEE SHEET 3 [86392]	DPS



REV	DATE	REVISION	BY
C	1-6-10	(A & B-1 THRU -8) L.P. LIQUID WIRING REVISED TO REFLECT CURRENT EXTENSION HARNESS REVISIONS & CORRECT LFP1 GEOMETRY [88007]	DFS
D	3-10-10	(A-1) SHEET 3-4 WAS 3-3; L.P. LIQUID FUEL SYSTEM MOVED TO SHEET 4; SEPARATE WIRING DIAGRAM FOR AUTO CHANGEOVER NATURAL/L.P. GAS FOR 125KW ONLY ADDED [88392]	DFS

APPROVALS	DATE	NO. IN CHARGE	NO. REVISED	NO. OF SHEETS	TOTAL SHEETS
DESIGNED	6-18-09	DFS	6-18-09	3-4	3-4
CHECKED	6-19-09	DFS	6-19-09	3-4	3-4
APPROVED	6-19-09	CDS	6-19-09	3-4	3-4

DEC 3+ W/ECM
 5.0 - 8.1L ENGINES
 GM GAS 50-150 KW
 SPLIT ACTIVATOR 1φ, 3φ AND 600V

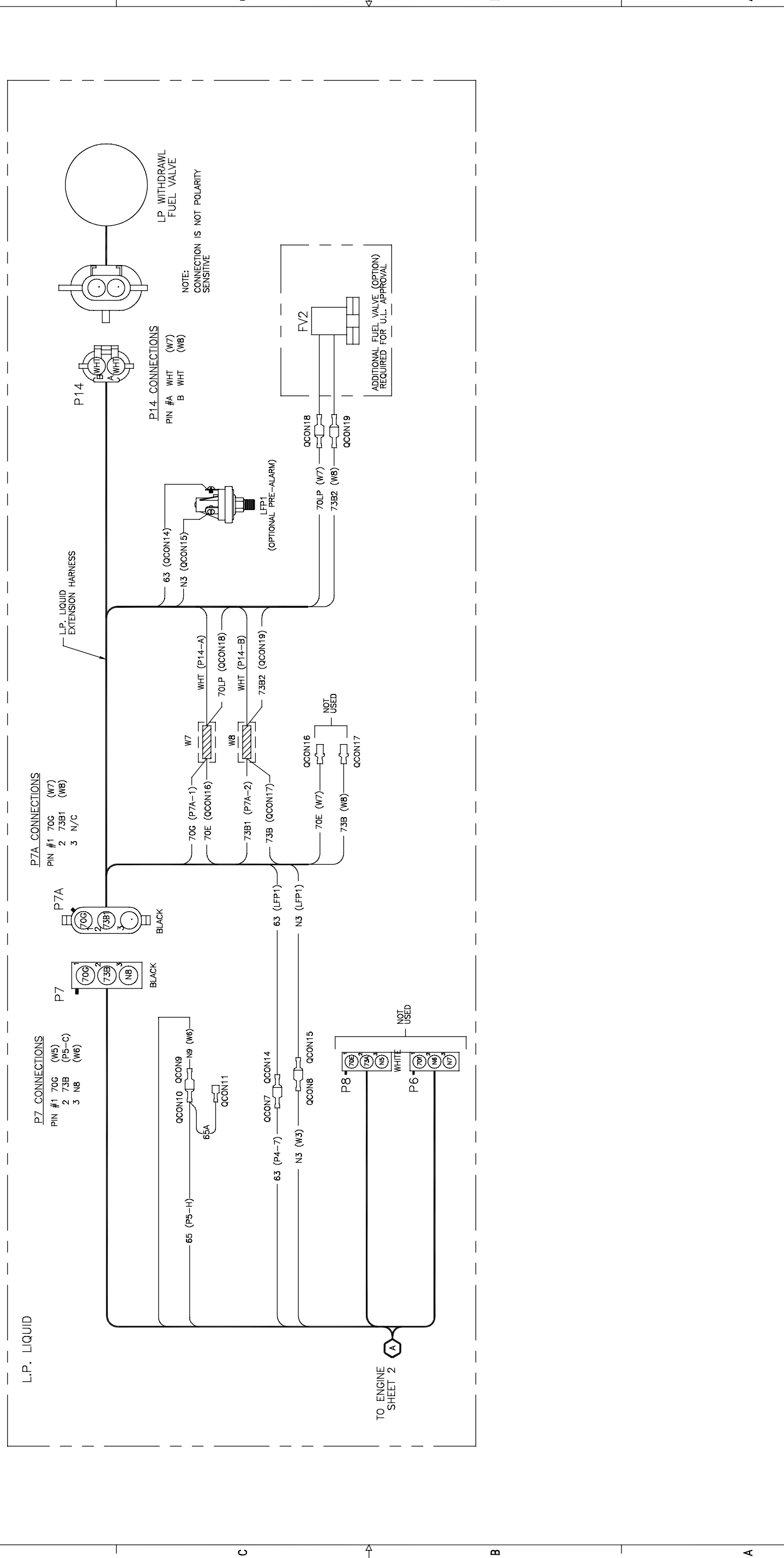
KOHLER CO.
 POWER SYSTEMS, KOHLER, WI 53044 U.S.A.
 THIS DRAWING IS PART OF THE TOTAL INSTALLATION AND SHALL BE USED IN CONJUNCTION WITH ALL INSTRUCTIONS AND MATERIALS SUPPLIED BY KOHLER. ALL RIGHTS OF DESIGN OR INVENTION ARE RESERVED.

TITLE: **DIAGRAM, WIRING**
 PART NO.: **GM 50-150 KW**
 REV. NO.: **GM70544**
 SHEET: **3-4**

AUTO CHANGEOVER NATURAL/L.P. GAS 50KW - 100KW & 150KW (REVERSE CHECK VALVE CONFIGURATION)

AUTO CHANGEOVER NATURAL/L.P. GAS 125KW ONLY (REVERSE CHECK VALVE CONFIGURATION)

REV	DATE	REVISION	BY
D	3-10-10	THIS SHEET ADDED [89392]	DPS



KOHLER CO.
 POWER SYSTEMS, KOHLER, WI 53044 U.S.A.
 THIS DRAWING IS THE PROPERTY OF KOHLER CO. AND IS NOT TO BE REPRODUCED OR TRANSMITTED IN ANY FORM OR BY ANY MEANS, ELECTRONIC OR MECHANICAL, INCLUDING PHOTOCOPYING, RECORDING, OR BY ANY INFORMATION STORAGE AND RETRIEVAL SYSTEM.

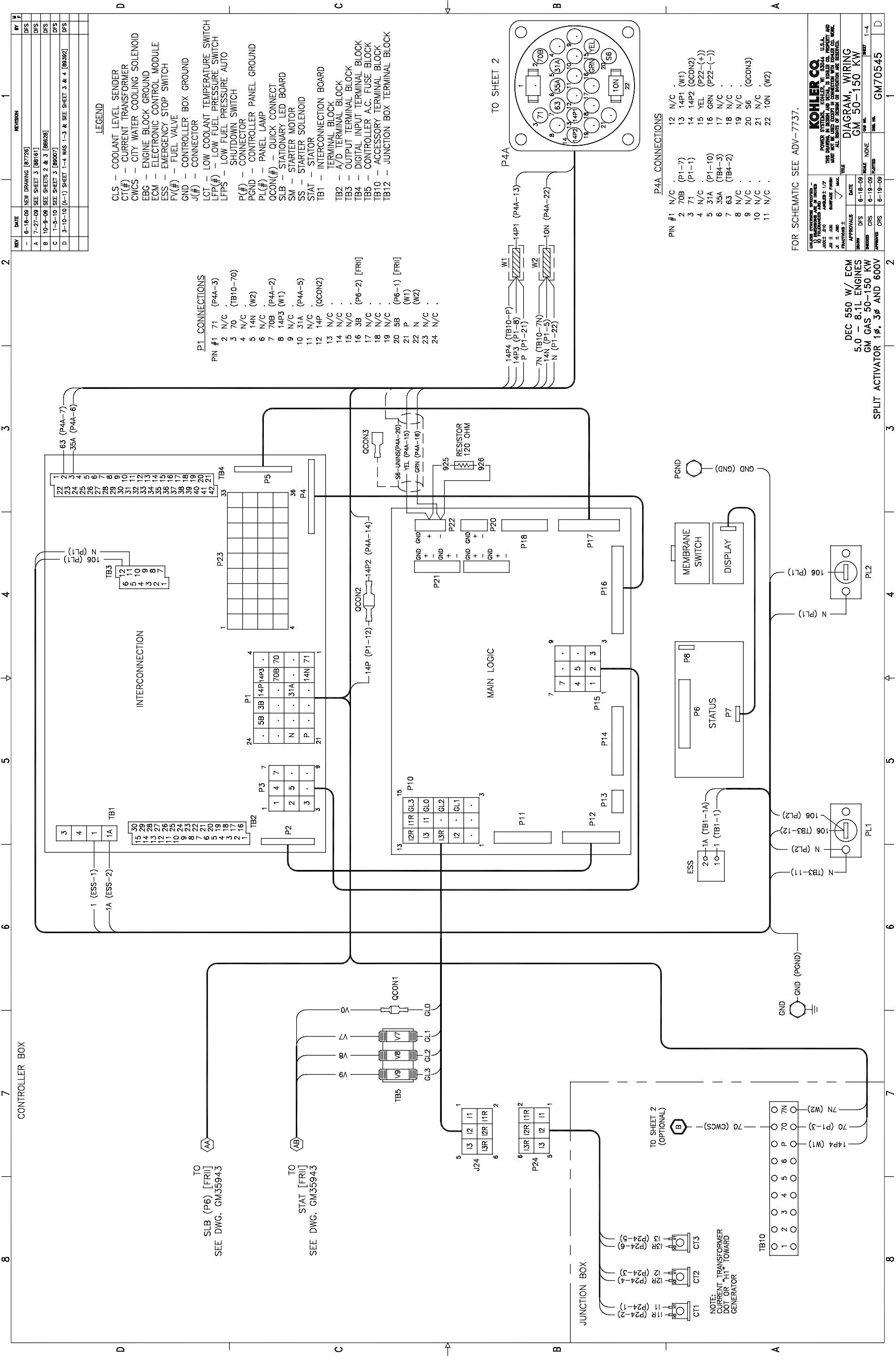
DIAGRAM, WIRING
 GM 50-150 KW

DEC 3+ W/ECM
5.0 - 8.1L ENGINES
GM GAS 50-150 KW
SPLIT ACTIVATOR, 1 ϕ , 3 ϕ AND 600V

APPROVALS	DATE
DESIGNED: DPS	3-10-10
CHECKED: CRS	3-10-10
APPROVED: DPS	3-10-10

DATE OF REVISION: 3-10-10
 BY: DPS
 REVISION: THIS SHEET ADDED [89392]

FIG. NO. GM70544-4
 SHEET 4-4



LEGEND

- CLS - COOLANT LEVEL SENDER
- CT(#)- CURRENT TRANSFORMER
- CWCS - CITY WATER COOLING SOLENOID
- ECM - ENGINE BLOCK GROUND
- ECM - ELECTRONIC CONTROL MODULE
- ESS - EMERGENCY STOP SWITCH
- FV(#)- FUEL VALVE
- GND - CONTROLLER BOX GROUND
- J(#)- CONNECTOR
- LCT - LOW COOLANT TEMPERATURE SWITCH
- LFP(#)- LOW FUEL PRESSURE SWITCH
- LFPS - SHUTDOWN SWITCH
- PGND - CONTROLLER PANEL GROUND
- P(#)- CONNECTOR
- PL(#)- PANEL LAMP
- QCON(#)- QUICK CONNECT
- SLB - STATIONARY LED BOARD
- SM - STARTER MOTOR
- SS - STARTER SOLENOID
- STAT - STATOR
- TB1 - INTERCONNECTION BOARD
- TB2 - TERMINAL BLOCK
- TB3 - A/D TERMINAL BLOCK
- TB4 - OUTPUT TERMINAL BLOCK
- TB4 - DIGITAL INPUT TERMINAL BLOCK
- TB5 - CONTROLLER A.C. FUSE BLOCK
- TB10 - ACCESSORY TERMINAL BLOCK
- TB12 - JUNCTION BOX TERMINAL BLOCK

P1 CONNECTIONS

- | | | |
|--------|------|--------------|
| PIN #1 | 71 | (P4A-3) |
| 2 | N/C | |
| 3 | 70 | (TB10-70) |
| 4 | N/C | |
| 5 | 14N | (W2) |
| 6 | N/C | |
| 7 | 70B | (P4A-2) |
| 8 | 14P3 | (W1) |
| 9 | N/C | |
| 10 | 31A | (P4A-5) |
| 11 | N/C | |
| 12 | 14P | (QCON2) |
| 13 | N/C | |
| 14 | N/C | |
| 15 | N/C | |
| 16 | 3B | (P6-2) [FRI] |
| 17 | N/C | |
| 18 | N/C | |
| 19 | N/C | |
| 20 | 5B | (P6-1) [FRI] |
| 21 | P | (W1) |
| 22 | N | (W2) |
| 23 | N/C | |
| 24 | N/C | |

P4A CONNECTIONS

- | | | | | | |
|--------|-----|---------|-----|-----------|-----------|
| PIN #1 | N/C | 12 | N/C | | |
| 2 | 70B | (P1-7) | 13 | 14P1 | (W1) |
| 3 | 71 | (P1-1) | 14 | 14P2 | (QCON2) |
| 4 | N/C | 15 | YEL | (P22-(-)) | |
| 5 | 31A | (P1-10) | 16 | GRN | (P22-(-)) |
| 6 | 35A | (TB4-3) | 17 | N/C | |
| 7 | 63 | (TB4-2) | 18 | N/C | |
| 8 | N/C | 19 | N/C | | |
| 9 | N/C | 20 | 56 | (QCON3) | |
| 10 | N/C | 21 | N/C | | |
| 11 | N/C | 22 | 10N | (W2) | |

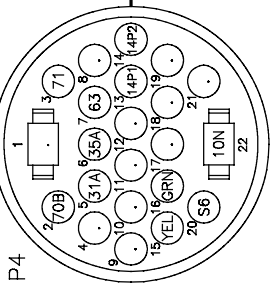
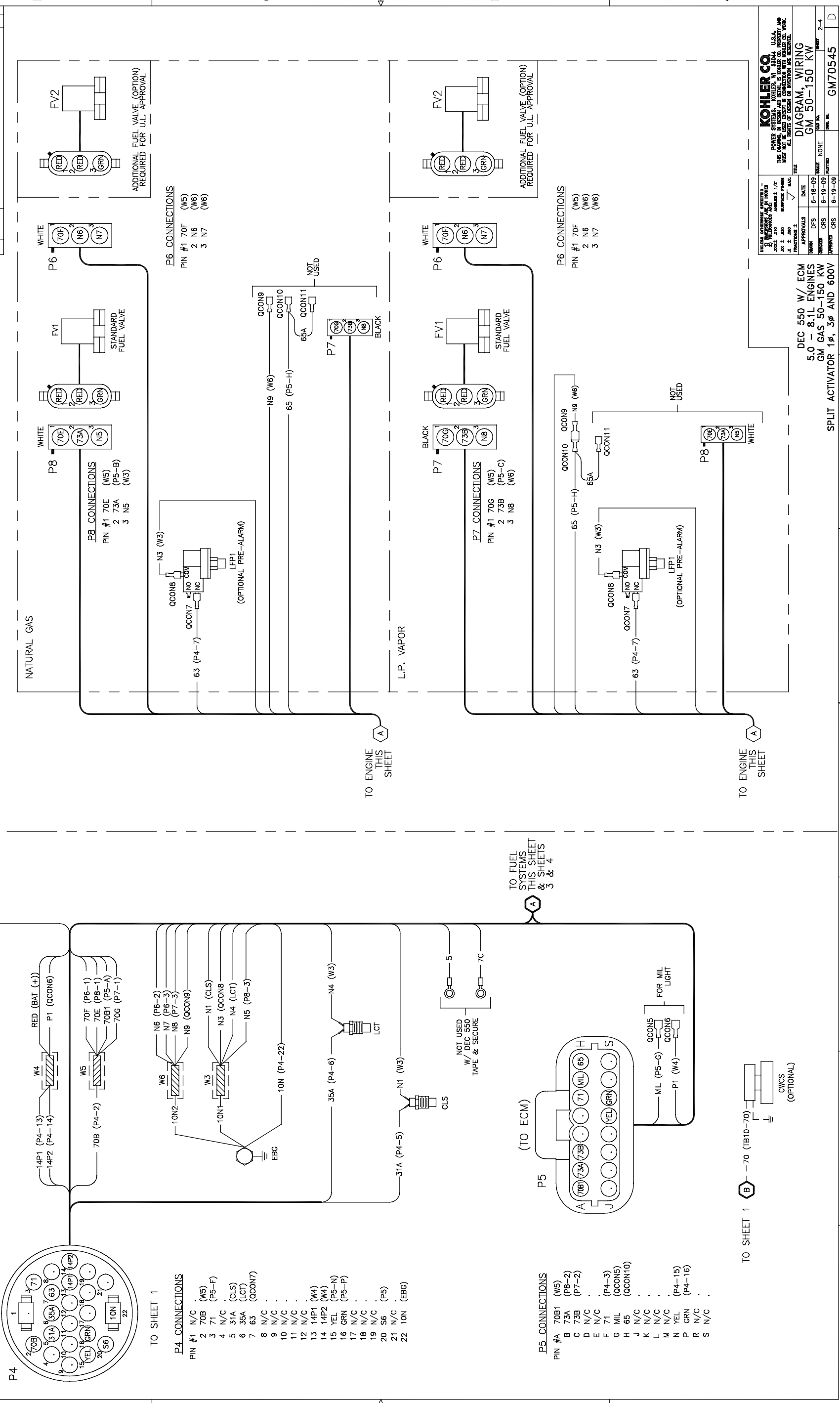
FOR SCHEMATIC SEE ADV-7737.

UNITED STATES PATENT & TRADEMARK OFFICE	
THIS DRAWING IS HEREBY AND SOLELY THE PROPERTY OF KOHLER CO. NO REPRODUCTION OR TRANSMISSION OF ANY PART HEREOF IS PERMITTED WITHOUT THE WRITTEN CONSENT OF KOHLER CO.	
KOHLER CO.	
POWER SYSTEMS, KOHLER, WI 53044 U.S.A.	
THIS DRAWING IS HEREBY AND SOLELY THE PROPERTY OF KOHLER CO. NO REPRODUCTION OR TRANSMISSION OF ANY PART HEREOF IS PERMITTED WITHOUT THE WRITTEN CONSENT OF KOHLER CO.	
DIAGRAM, WIRING	
GM 50-150 KW	
DATE	8-19-09
DESIGNED	CRS
DRAWN	DFS
APPROVED	CRS
REVISED	
FORM NO.	GM70545
SHEET	1-4

DEC 550 W/ ECM
5.0 - 8.1L ENGINES
GM GAS 50-150 KW
SPLIT ACTIVATOR 1 ϕ , 3 ϕ AND 600V

REV	DATE	REVISION	BY
-	6-18-08	NEW DRAWING [67726]	DPS
A	7-27-08	SEE SHEET 3 [86161]	DPS
B	10-9-09	(A-4 & C-4) LFP1 GEOMETRY REVISED (2 PLACES) TO REFLECT CURRENT SWITCH DESIGN & SEE SHEET 3 [86828]	DPS
C	1-5-09	SEE SHEET 3 [86007]	DPS
D	3-10-10	(A-1) SHEET 2-4 WAS 2-3 & SEE SHEET 3 & 4 [86392]	DPS

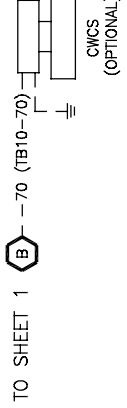
FUEL SYSTEMS



TO SHEET 1

- P4 CONNECTIONS**
- PIN #1 N/C (W5)
 - 2 70B (P5-F)
 - 3 71 (P5-F)
 - 4 N/C (CLS)
 - 5 31A (LCT)
 - 6 35A (LCT)
 - 7 63 (QCON7)
 - 8 N/C
 - 9 N/C
 - 10 N/C
 - 11 N/C
 - 12 N/C
 - 13 14P1 (W4)
 - 14 14P2 (W4)
 - 15 YEL (P5-N)
 - 16 GRN (P5-P)
 - 17 N/C
 - 18 N/C
 - 19 N/C
 - 20 S6 (P5)
 - 21 N/C
 - 22 10N (EBG)

- P5 CONNECTIONS**
- PIN #A 70B1 (W5)
 - B 73A (P8-2)
 - C 73B (P7-2)
 - D N/C
 - E F 71 (P4-3)
 - G MIL (QCON5)
 - H 65 (QCON10)
 - J N/C
 - K N/C
 - L N/C
 - M N/C
 - N YEL (P4-15)
 - P GRN (P4-16)
 - R N/C
 - S N/C



TO SHEET 1

B - 70 (TB10-70)

CWS (OPTIONAL)

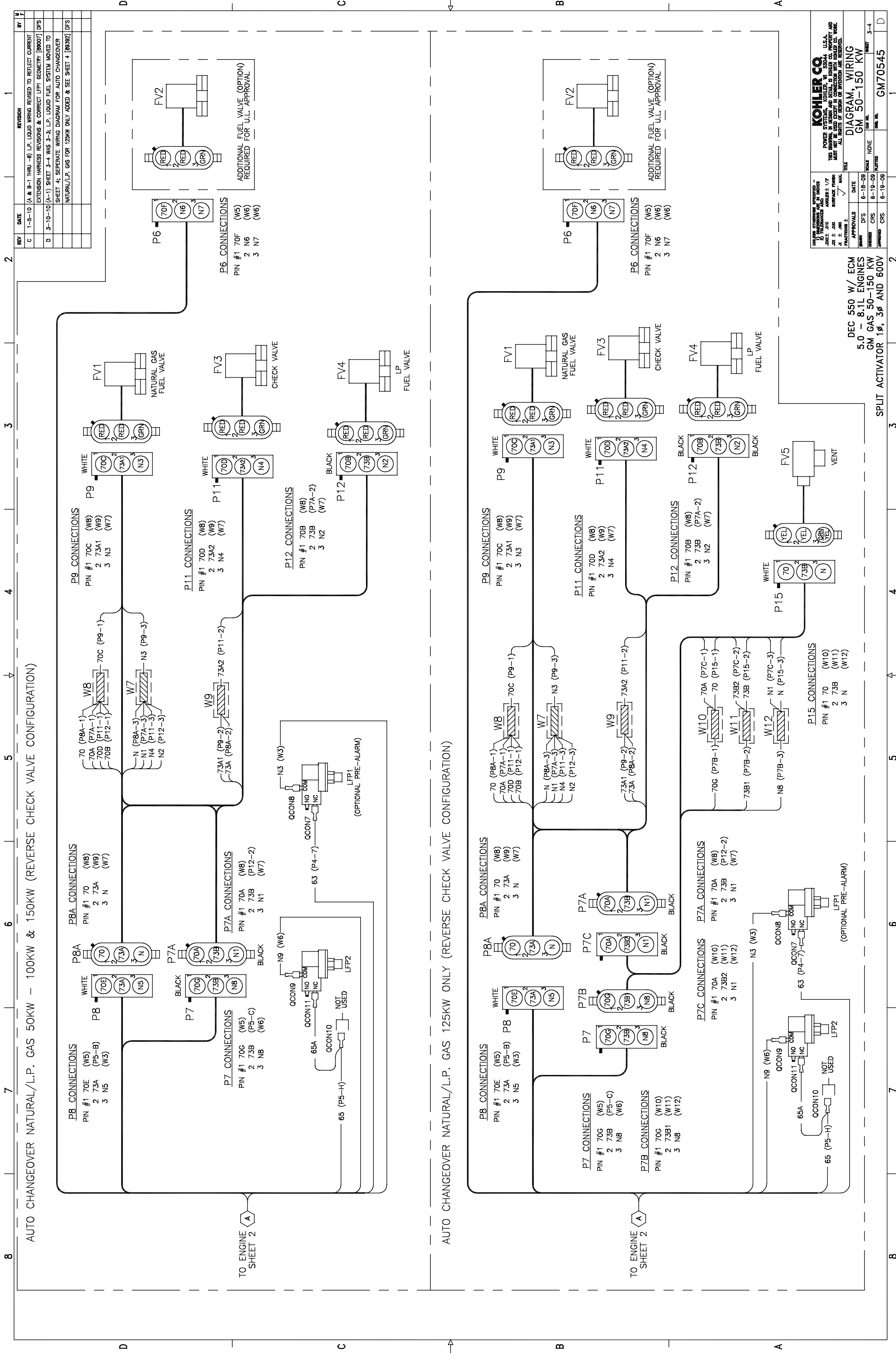
DEC 550 W/ ECM
5.0 - 8.1L ENGINES
GM GAS 50-150 KW
SPLIT ACTIVATOR 1φ, 3φ AND 600V

KOHLER CO.
POWER SYSTEMS, KOHLER, WI 53044 U.S.A.
THIS DRAWING IS PART OF A SYSTEM. ALL RIGHTS OF DESIGN OR INVENTION ARE RESERVED.

DIAGRAM, WIRING
GM 50-150 KW

APPROVALS	DATE
DESIGNED: DPS	6-18-08
CHECKED: CRS	6-19-08
APPROVED: CRS	6-19-08

FIG. NO. GM70545



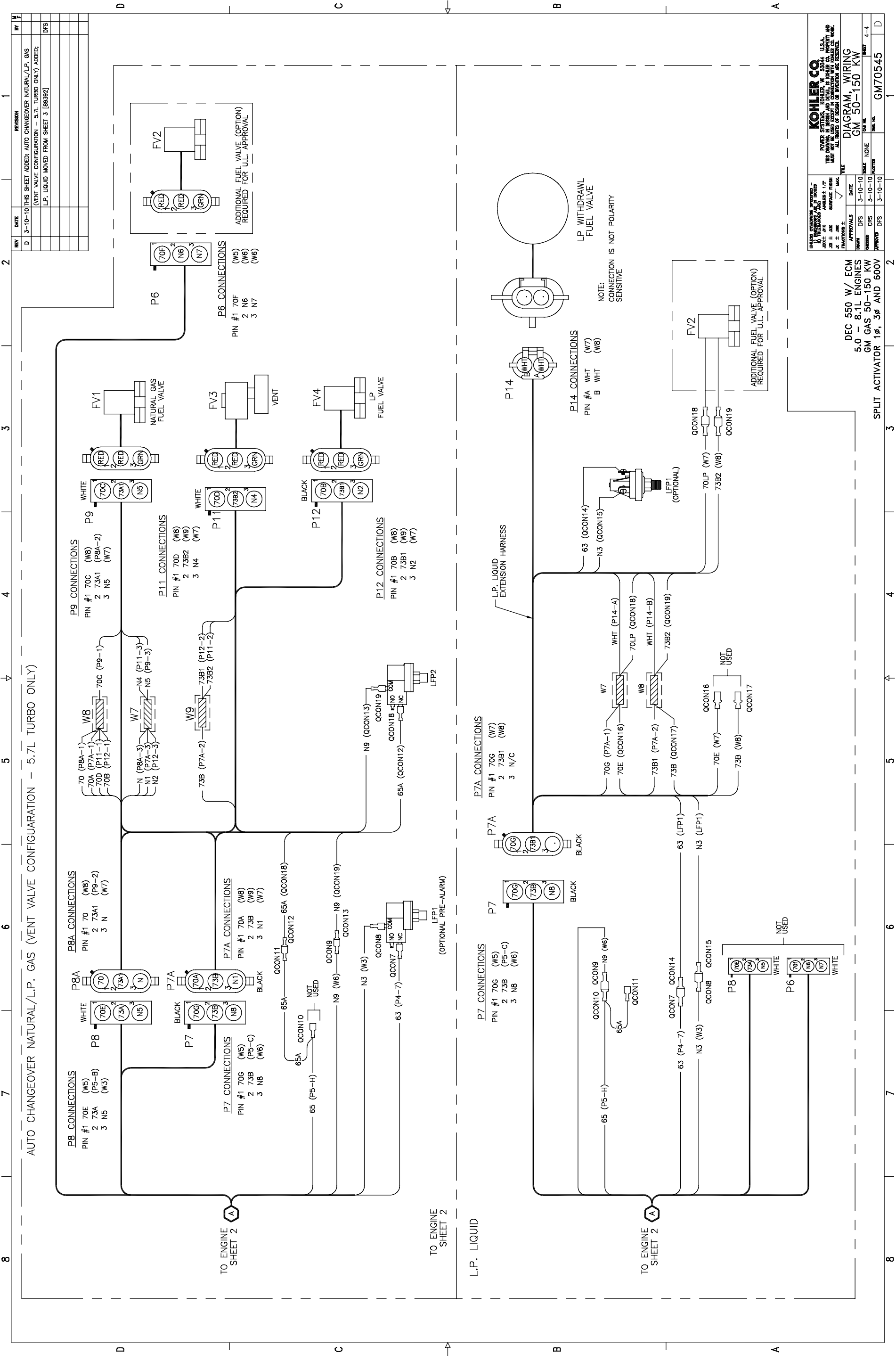
DATE	6-18-08	REVISED	CRS
APPROVED	CRS	DATE	6-18-08
DESIGNED	CRS	DATE	6-18-08
CHECKED	CRS	DATE	6-18-08
APPROVED	CRS	DATE	6-18-08
DATE	6-18-08	REVISED	CRS
APPROVED	CRS	DATE	6-18-08
DESIGNED	CRS	DATE	6-18-08
CHECKED	CRS	DATE	6-18-08
APPROVED	CRS	DATE	6-18-08

DEC 550 W/ ECM
5.0 - 8.1L ENGINES
GM GAS 50-150 KW
SPLIT ACTIVATOR 1φ, 3φ AND 600V

KOHLER CO.
POWER SYSTEMS, KOHLER, WI 53044 U.S.A.
THIS DRAWING IS THE PROPERTY OF KOHLER CO. NO PARTS OR INFORMATION ARE TO BE REPRODUCED OR TRANSMITTED IN ANY FORM OR BY ANY MEANS, ELECTRONIC OR MECHANICAL, INCLUDING PHOTOCOPYING, RECORDING, OR BY ANY INFORMATION STORAGE AND RETRIEVAL SYSTEM.

DIAGRAM, WIRING
GM 50-150 KW

GM70545



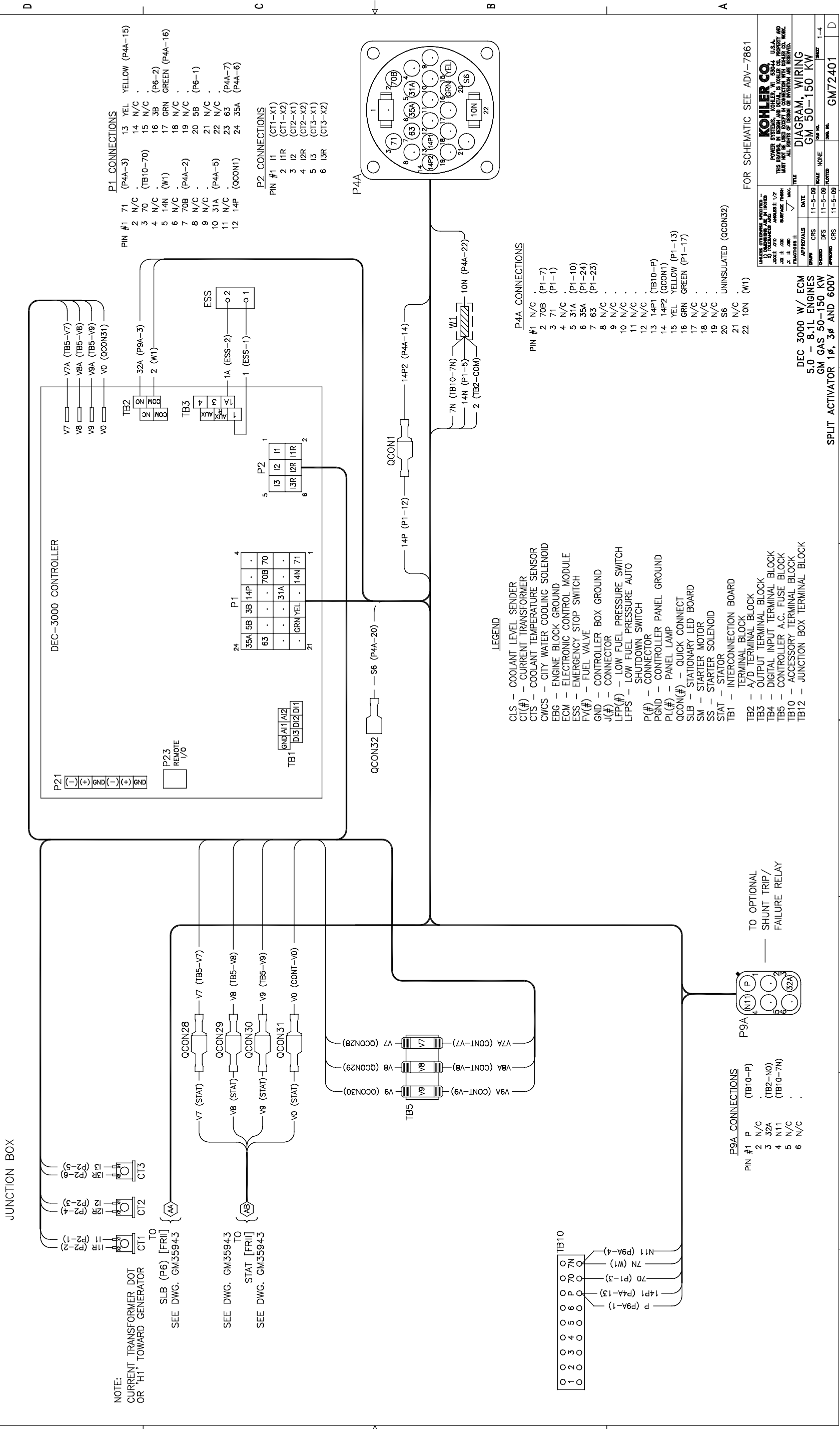
REV	DATE	REVISION	BY
D	3-10-10	THIS SHEET ADDED; AUTO CHANGEOVER NATURAL/L.P. GAS (VENT VALVE CONFIGURATION - 5.7L TURBO ONLY) ADDED; L.P. LIQUID MOVED FROM SHEET 3 [89392]	DPS

APPROVALS	DATE	TITLE
DESIGNED: DPS	3-10-10	DIAGRAM, WIRING GM 50-150 KW
CHECKED: CRS	3-10-10	
APPROVED: DPS	3-10-10	

DEC 550 W/ ECM
5.0 - 8.1L ENGINES
GM GAS 50-150 KW
SPLIT ACTIVATOR 1φ, 3φ AND 600V

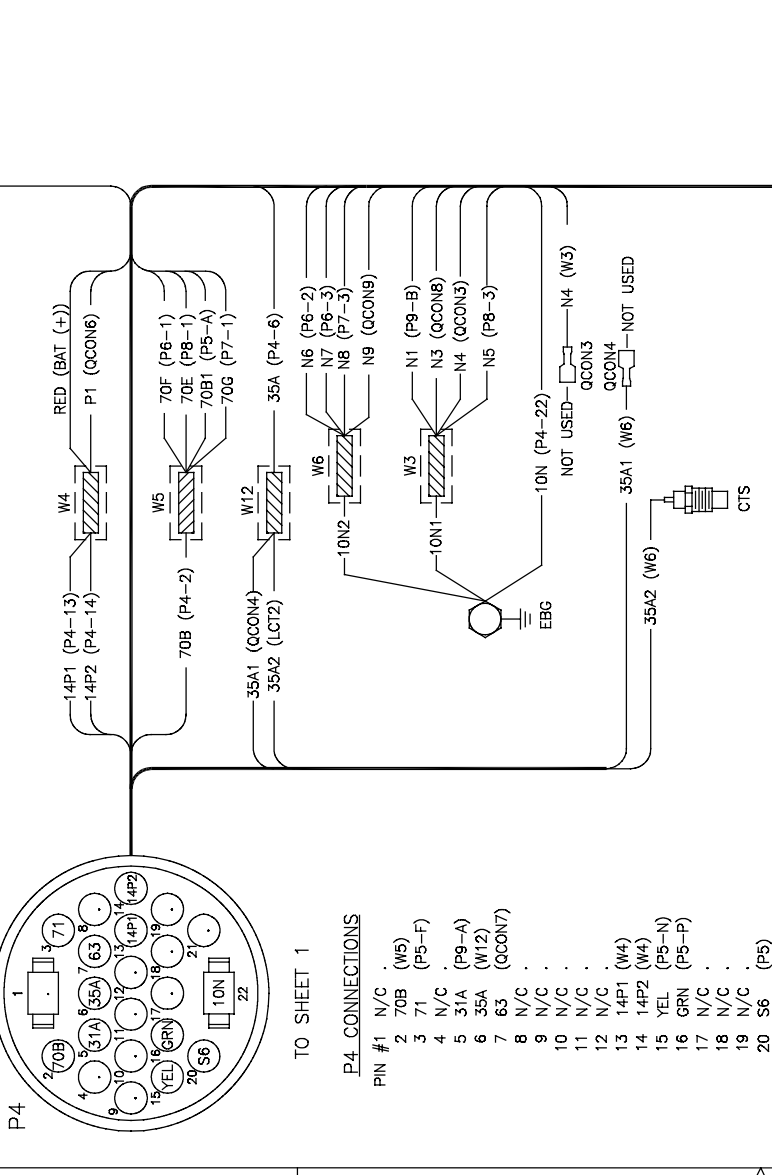
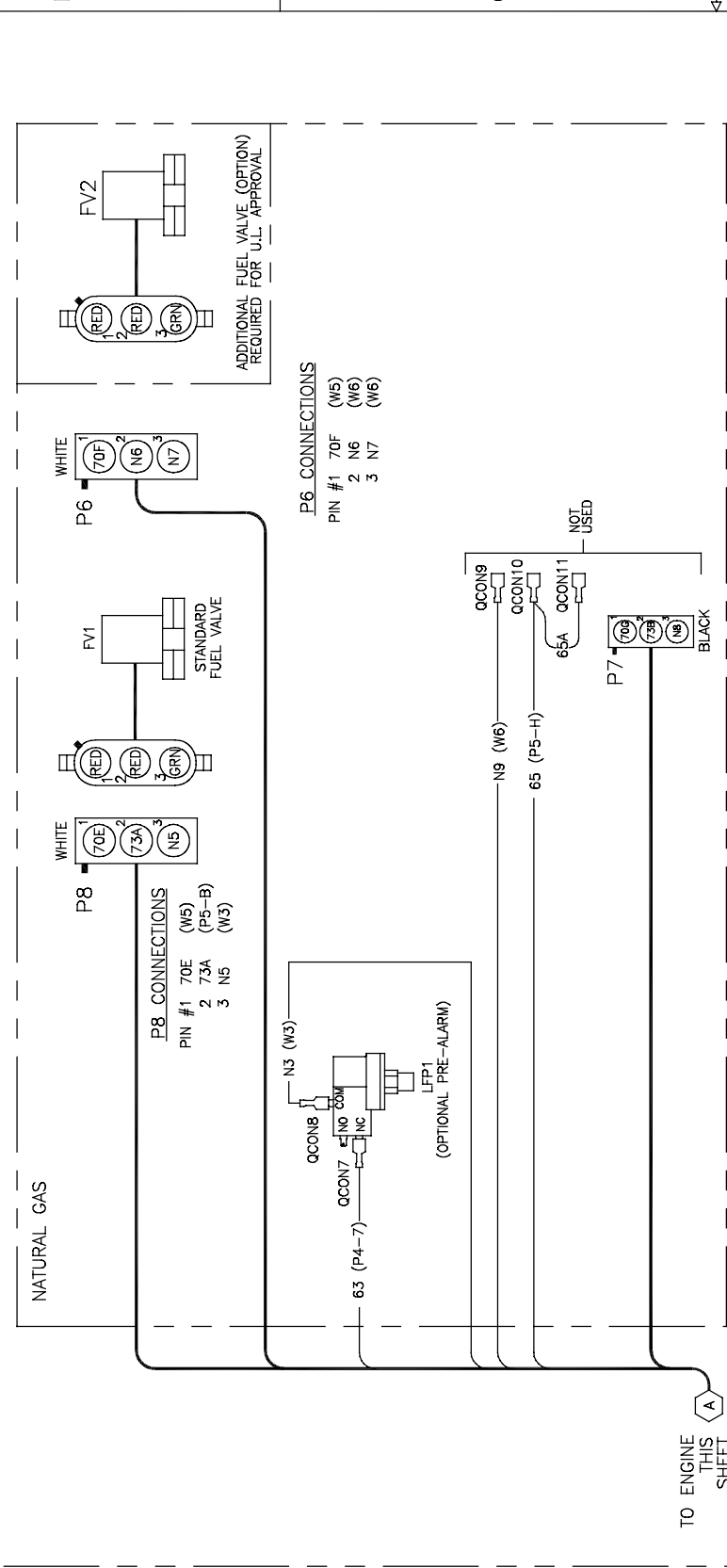
DATE	NO.	REV.	BY
3-10-10	1	1	D

REV	DATE	REVISION	BY
-	11-5-09	NEW DRAWING [88585]	
A	1-21-10	(A-1) SHEET 1-4 WAS 1-3 & SEE SHEETS 2, 3 & 4 [88617-1] DFS	
B	2-18-10	(A-6, B & C-2-3) LEAD 2 BETWEEN W1 & TB2-COM WAS BETWEEN P9A-6 & TB2-COM & SEE SHEET 3 [89178-4]	
C	5-13-10	SEE SHEET 4 [89178-7]	
D	8-14-10	SEE SHEET 2 [89716]	
E	8-24-10	SEE SHEET 2 [90333]	



REV	DATE	REVISION	BY
B	2-18-10	SEE SHEETS 1 & 3 [89178-4]	DPS
C	5-13-10	SEE SHEET 4 [89178-7]	DPS
D	8-14-10	(C-7) CTS WAS LCT [89716]	DPS
E	8-24-10	(C7) REMOVED FROM "CTS" NOTE: "NFPA-110 ONLY" [80333] LMK	LINK

FUEL SYSTEMS



TO FUEL SYSTEM THIS SHEET & SHEETS 3 & 4

P9 (CLS)

P5 (TO ECM)

MIL (P5-G) OCON5 FOR MIL LIGHT
P1 (W4) OCON6 (OPTIONAL)

TO SHEET 1 B -- 70 (TB10-70)

TO ENGINE THIS SHEET

P6 CONNECTIONS
PIN # 1 70F (W5) 2 N6 (W6) 3 N7 (W6)

P7 CONNECTIONS
PIN # 1 70G (W5) 2 73B (P5-C) 3 N8 (W6)

P8 CONNECTIONS
PIN # 1 70E (W5) 2 73A (P5-B) 3 N5 (W3)

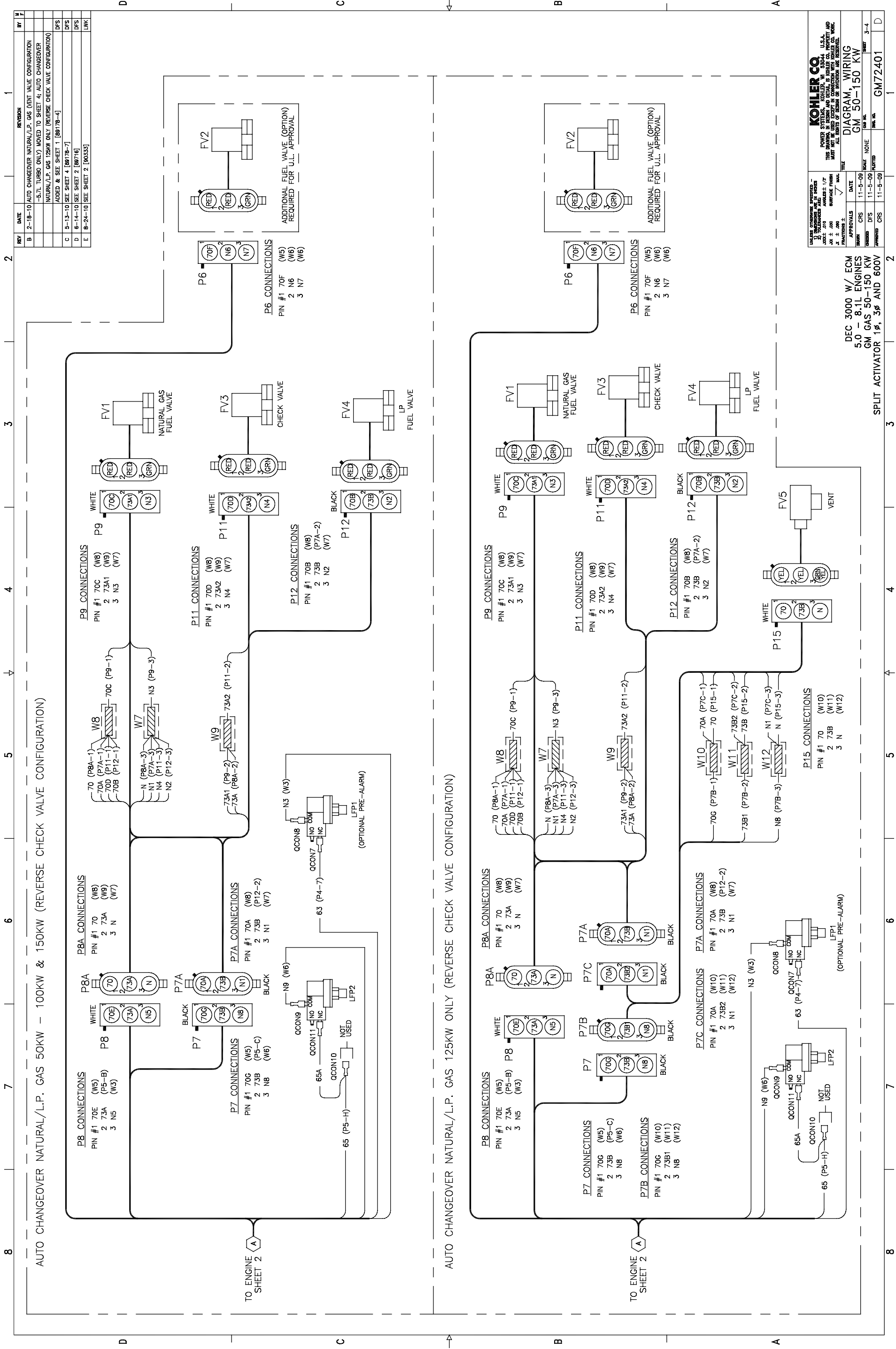
KOHLER CO.
POWER SYSTEMS, KOHLER, WI 53044 U.S.A.
THIS DRAWING IS PART OF THE U.L. LISTING AND IS NOT TO BE REPRODUCED OR COPIED WITHOUT THE WRITTEN PERMISSION OF KOHLER CO.
ALL RIGHTS OF DESIGN OR INVENTION ARE RESERVED.

DIAGRAM, WIRING
GM 50-150 KW

DATE: 11-5-09
DRAWN: DCS
CHECKED: DCS
APPROVED: CRS

DEC 3000 W/ECM
5.0 - 8.1L ENGINES
GM GAS 50-150 KW
SPLIT ACTIVATOR 1φ, 3φ AND 600V

REV. NO. 1
DWG. NO. GM72401



REV	DATE	REVISION	BY
B	2-18-10	AUTO CHANGEOVER NATURAL/L.P. GAS (VENT VALVE CONFIGURATION -5.7L TURBO ONLY) MOVED TO SHEET 4; AUTO CHANGEOVER NATURAL/L.P. GAS 125KW ONLY (REVERSE CHECK VALVE CONFIGURATION) ADDED & SEE SHEET 1 [89178-4]	DFS
C	9-13-10	SEE SHEET 4 [89178-7]	DFS
D	8-14-10	SEE SHEET 2 [89178]	LPS
E	8-24-10	SEE SHEET 2 [89333]	LINK

APPROVALS	DATE	FILE NO.	REV. NO.	SHEET	TOTAL
DESIGNED	11-5-09	11-5-09		3-4	
CHECKED	11-5-09				
APPROVED	11-5-09				

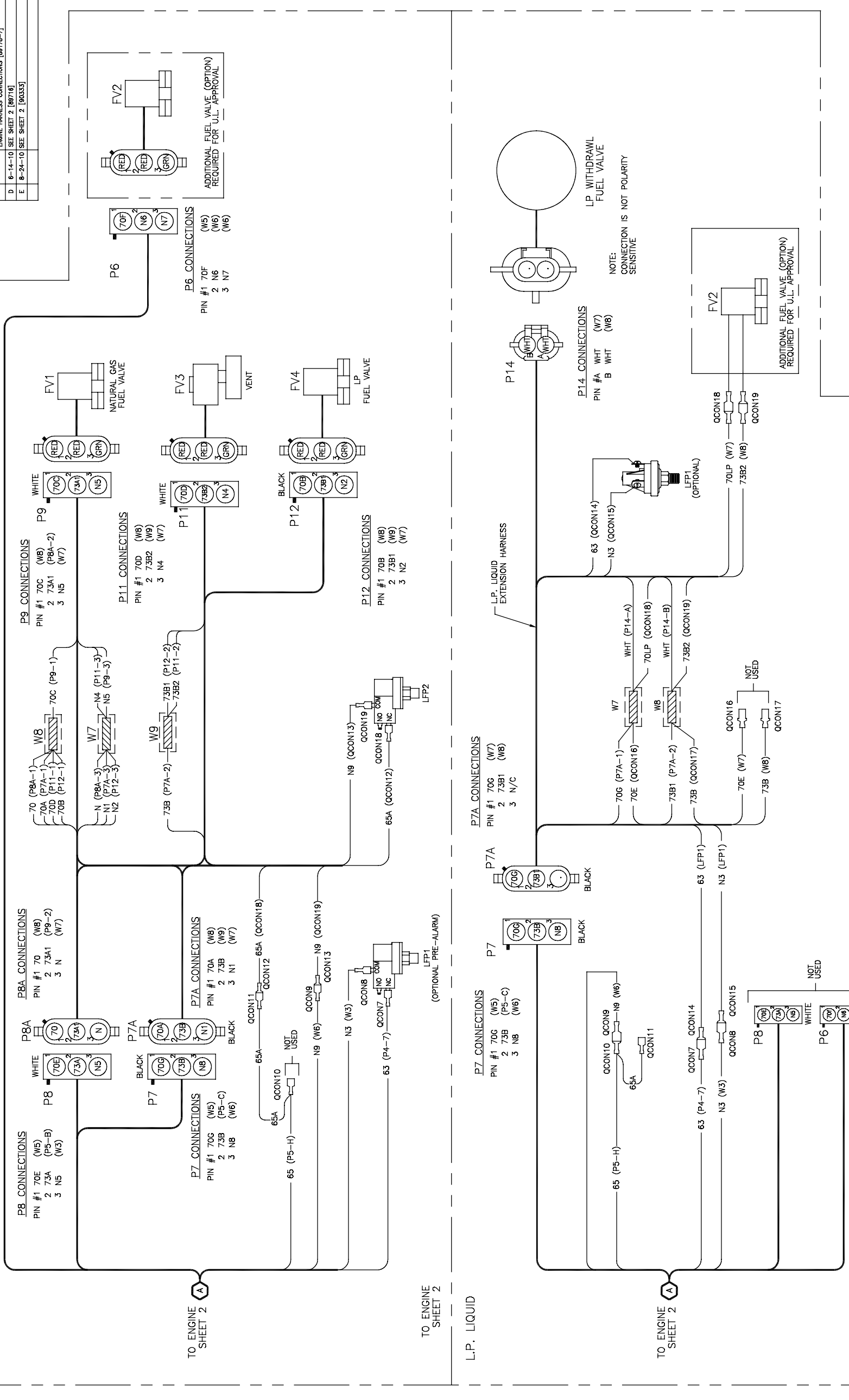
DEC 3000 W/ ECM
 5.0 - 8.1L ENGINES
 GM GAS 50-150 KW
 SPLIT ACTIVATOR 1 ϕ , 3 ϕ AND 600V

KOHLER CO.
 POWER SYSTEMS, KOHLER, WI 53044 U.S.A.
 THIS DRAWING IS PART OF THE TOTAL KOHLER CO. PROPERTY AND
 MUST BE RETURNED TO KOHLER CO. WITH ALL RIGHTS OF DESIGN OR INVENTION ARE RESERVED.

TITLE: **DIAGRAM, WIRING**
 GM 50-150 KW

PART NO. **GM72401**
 REV. NO. **D**

REV	DATE	REVISION	BY
B	2-18-10	AUTO CHANGEOVER NATURAL/L.P. GAS (VENT VALVE CONFIGURATION - 5.7L TURBO ONLY) ADDED TO THIS SHEET & SEE SHEETS 1 & 3 [84992]	
C	5-13-10	(C-6) LPTI RELOCATED FROM DUAL FUEL HARNESS CONNECTIONS TO ENGINE HARNESS CONNECTIONS [89178-7]	DPS
D	8-14-10	SEE SHEET 2 [89716]	DPS
E	8-24-10	SEE SHEET 2 [90353]	LINK



KOHLER CO.
 POWER SYSTEMS, KOHLER, WI, 53044, U.S.A.
 THIS DRAWING IS THE PROPERTY OF KOHLER CO. AND IS NOT TO BE REPRODUCED OR TRANSMITTED IN ANY FORM OR BY ANY MEANS, ELECTRONIC OR MECHANICAL, INCLUDING PHOTOCOPYING, RECORDING, OR BY ANY INFORMATION STORAGE AND RETRIEVAL SYSTEM, WITHOUT THE WRITTEN PERMISSION OF KOHLER CO.

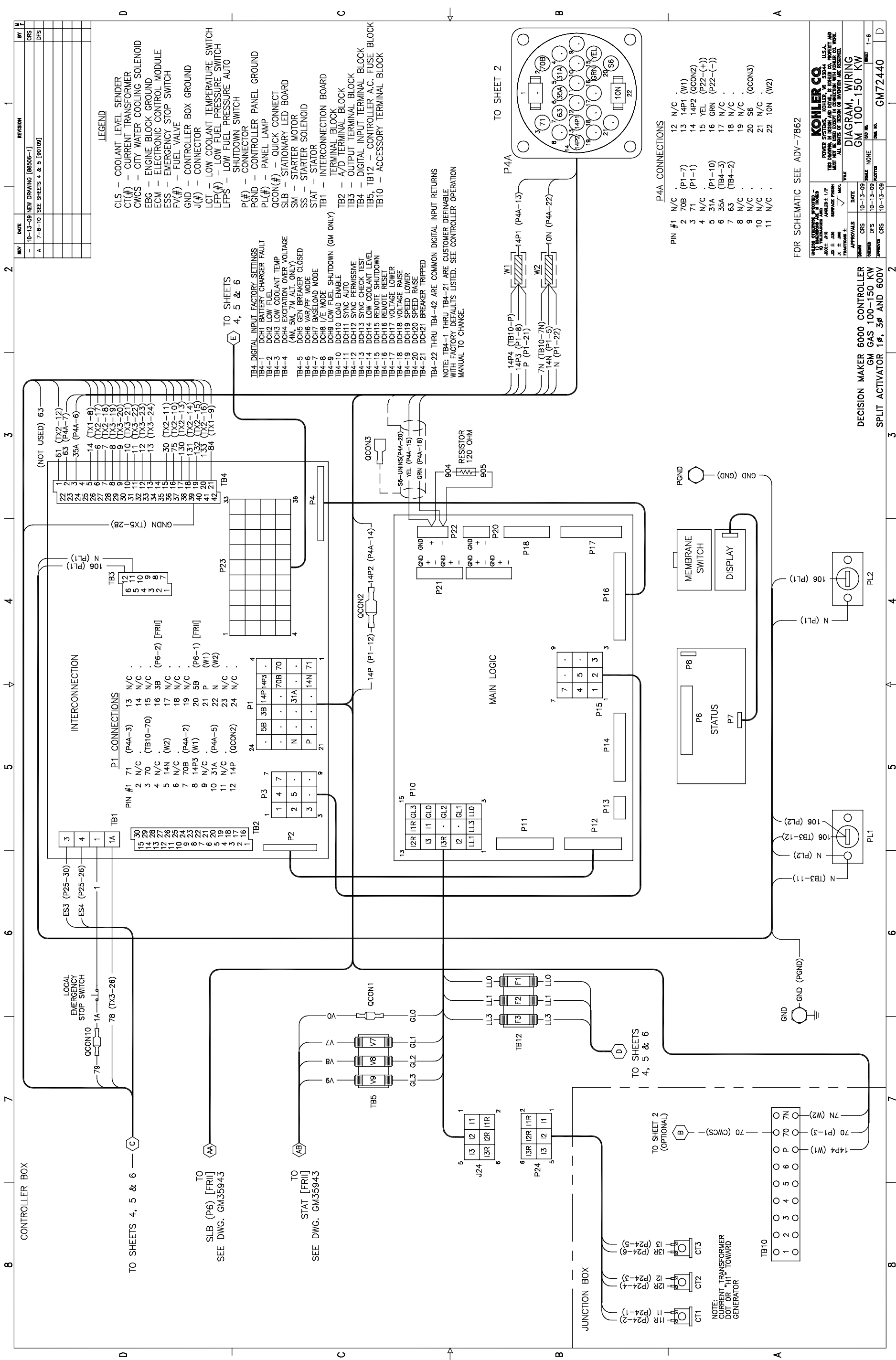
DIAGRAM, WIRING
GM 50-150 KW

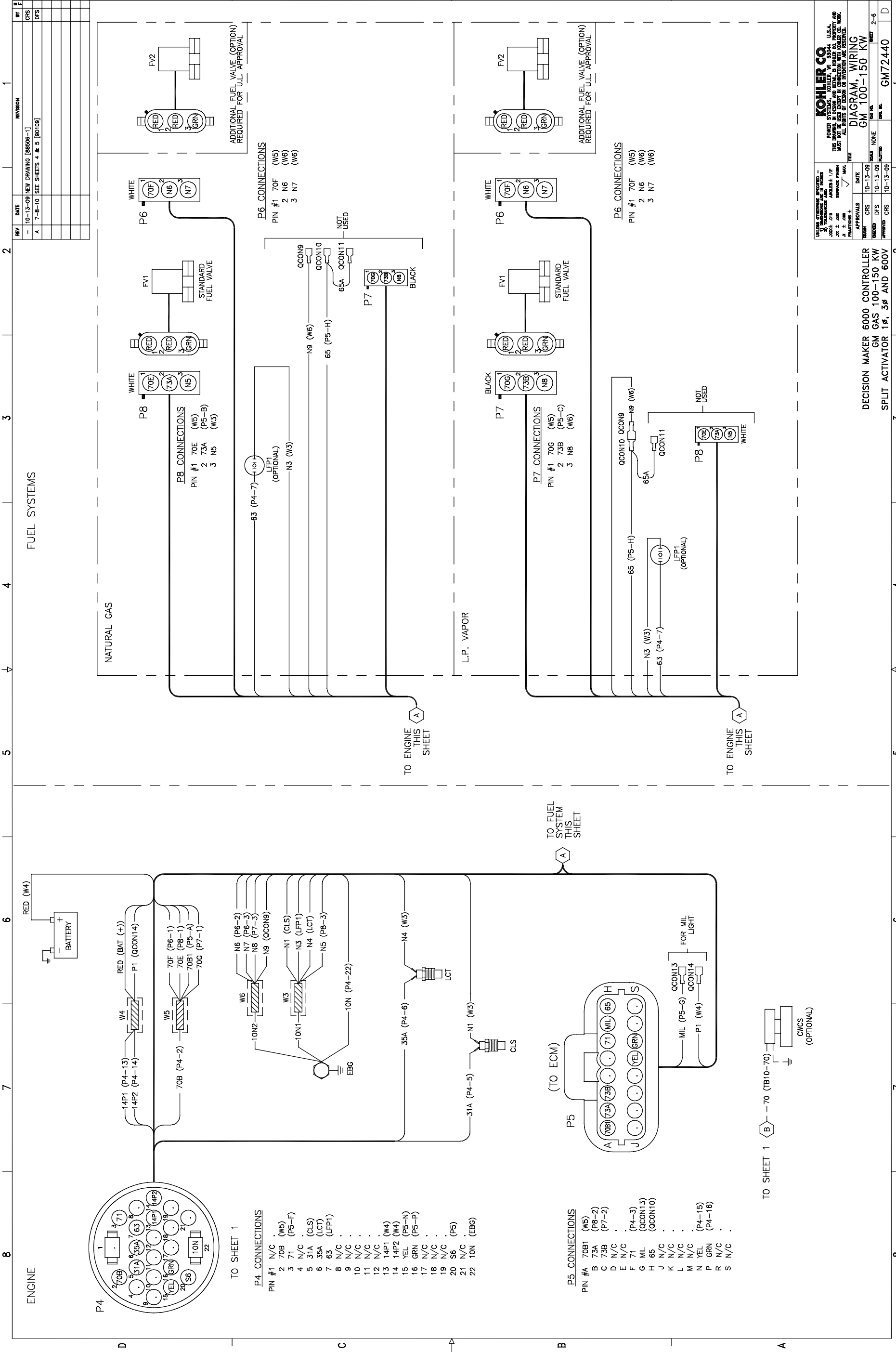
DATE: 1-21-10
 DRAWN: DFS
 CHECKED: GRS
 APPROVED: DFS

FIG. NO. 1-21-10
 SHEET 4-4

DEC 3000 W/ECM
 5.0 - 8.1L ENGINES
 GM GAS 50-150 KW
 SPLIT ACTIVATOR 1φ, 3φ AND 600V

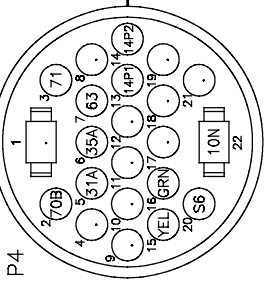
GM72401





FUEL SYSTEMS

ENGINE



- TO SHEET 1
- P4 CONNECTIONS**
- PIN #1 N/C
 - 2 70B (W5)
 - 3 71 (P5-F)
 - 4 N/C (CLS)
 - 5 31A (CLS)
 - 6 35A (LCT)
 - 7 63 (LFP1)
 - 8 N/C
 - 9 N/C
 - 10 N/C
 - 11 N/C
 - 12 N/C
 - 13 14P1 (W4)
 - 14 14P2 (W4)
 - 15 YEL (P5-N)
 - 16 GRN (P5-P)
 - 17 N/C
 - 18 N/C
 - 19 N/C
 - 20 S6 (P5)
 - 21 N/C
 - 22 10N (EBG)

- P5 CONNECTIONS**
- PIN #A 70B1 (W5)
 - B 73A (P8-2)
 - C 73B (P7-2)
 - D N/C
 - E N/C
 - F 71 (P4-3)
 - G MIL (QCON13)
 - H 65 (QCON10)
 - J N/C
 - K N/C
 - L N/C
 - M N/C
 - N YEL (P4-15)
 - P GRN (P4-16)
 - R N/C
 - S N/C

UNLESS OTHERWISE SPECIFIED -		DATE	
3) TOLERANCES UNLESS NOTED	DATE	10-13-09	REVISED
4) DIMENSIONS IN INCHES	DATE	10-13-09	APPROVED
5) DIMENSIONS IN MILLIMETERS	DATE	10-13-09	DESIGNED
6) DIMENSIONS IN MILLIMETERS	DATE	10-13-09	DRAWN
7) DIMENSIONS IN MILLIMETERS	DATE	10-13-09	CHECKED
8) DIMENSIONS IN MILLIMETERS	DATE	10-13-09	TESTED
9) DIMENSIONS IN MILLIMETERS	DATE	10-13-09	REWORKED
10) DIMENSIONS IN MILLIMETERS	DATE	10-13-09	REWORKED
11) DIMENSIONS IN MILLIMETERS	DATE	10-13-09	REWORKED
12) DIMENSIONS IN MILLIMETERS	DATE	10-13-09	REWORKED
13) DIMENSIONS IN MILLIMETERS	DATE	10-13-09	REWORKED
14) DIMENSIONS IN MILLIMETERS	DATE	10-13-09	REWORKED
15) DIMENSIONS IN MILLIMETERS	DATE	10-13-09	REWORKED
16) DIMENSIONS IN MILLIMETERS	DATE	10-13-09	REWORKED
17) DIMENSIONS IN MILLIMETERS	DATE	10-13-09	REWORKED
18) DIMENSIONS IN MILLIMETERS	DATE	10-13-09	REWORKED
19) DIMENSIONS IN MILLIMETERS	DATE	10-13-09	REWORKED
20) DIMENSIONS IN MILLIMETERS	DATE	10-13-09	REWORKED
21) DIMENSIONS IN MILLIMETERS	DATE	10-13-09	REWORKED
22) DIMENSIONS IN MILLIMETERS	DATE	10-13-09	REWORKED

DECISION MAKER 6000 CONTROLLER
GM GAS 100-150 KW
SPLIT ACTIVATOR 1Ø, 3Ø AND 600V

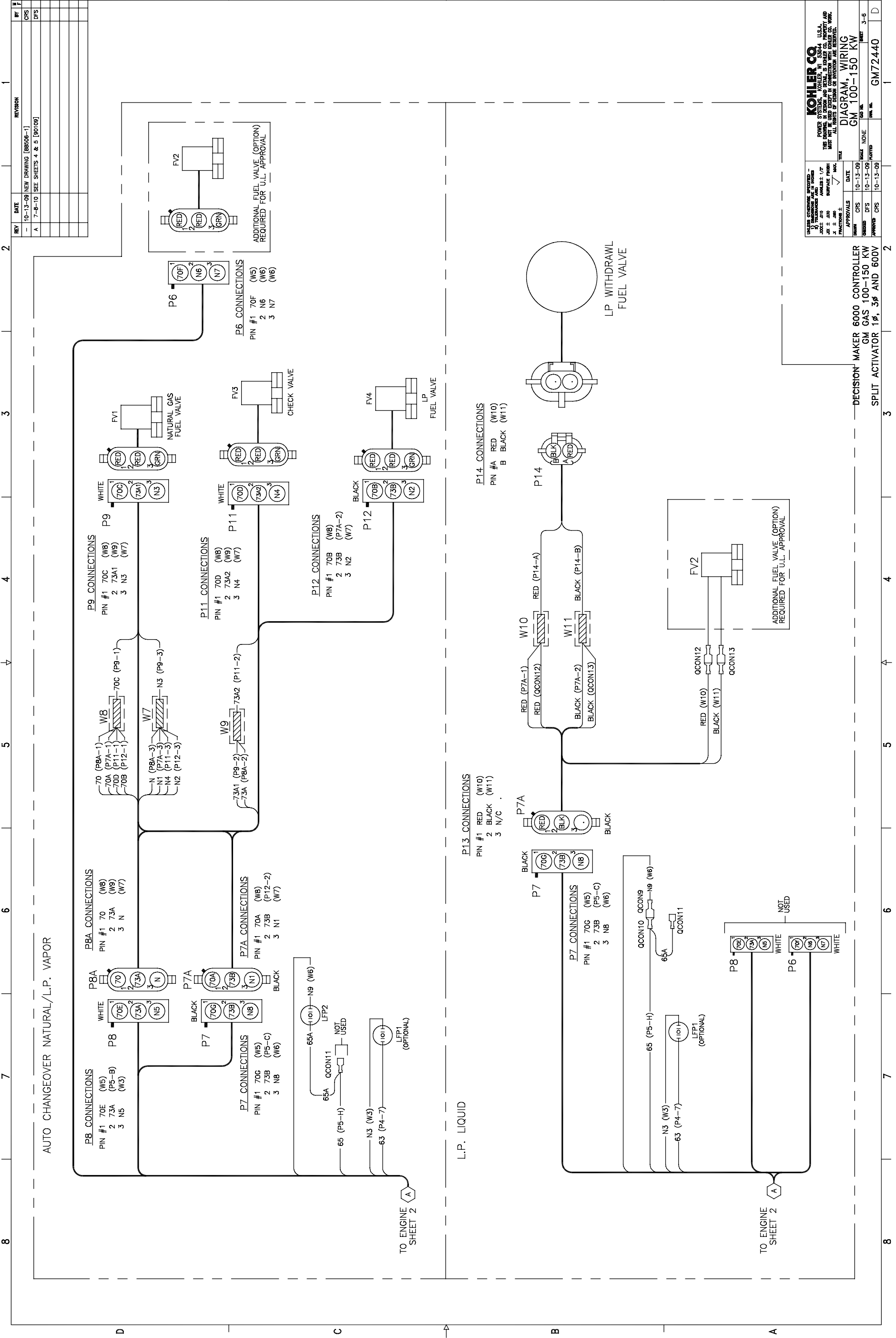
DIAGRAM, WIRING
GM 100-150 KW

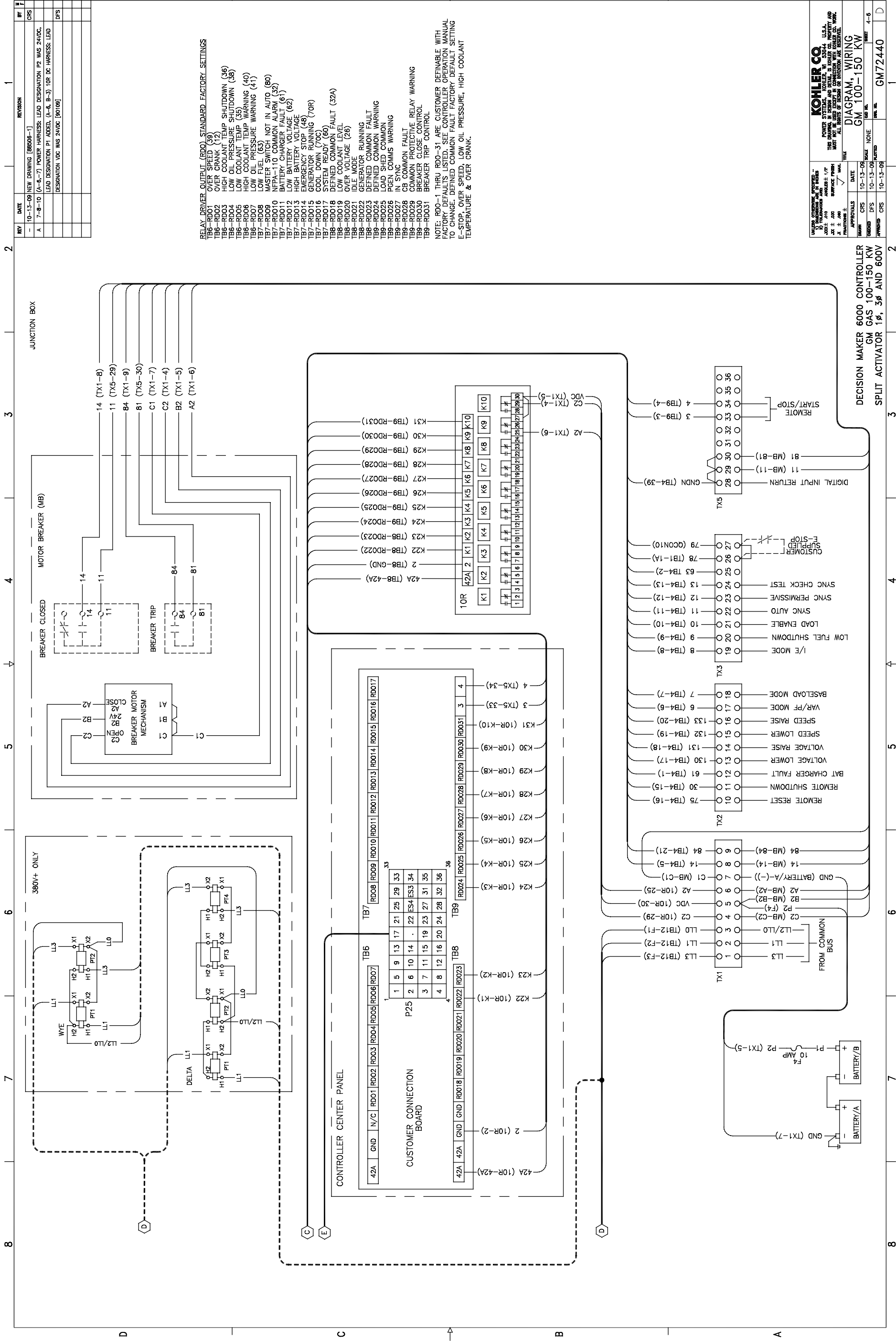
KOHLER CO. U.S.A.
POWER SYSTEMS GROUP
1000 N. CENTRAL AVENUE
MILWAUKEE, WI 53212
TEL: 414.754.2000
FAX: 414.754.2001
WWW.KOHLER.COM

APPROVALS

DESIGNED	DATE	10-13-09
DRAWN	DATE	10-13-09
CHECKED	DATE	10-13-09
TESTED	DATE	10-13-09
REWORKED	DATE	10-13-09

SCALE NONE
SHEET 2-6
REV. NO. GM72440





REV	DATE	REVISION	BY
-	10-13-09	NEW DRAWING [88006-1]	CRS
A	7-8-10	(A-6, 7) POWER HARNESS LEAD DESIGNATION P2 WAS 24VDC. LEAD DESIGNATION P1 ADDED, (A-6, B-3) OR DC HARNESS LEAD DESIGNATION VDC WAS 24VDC [80109]	CRS
			DPS

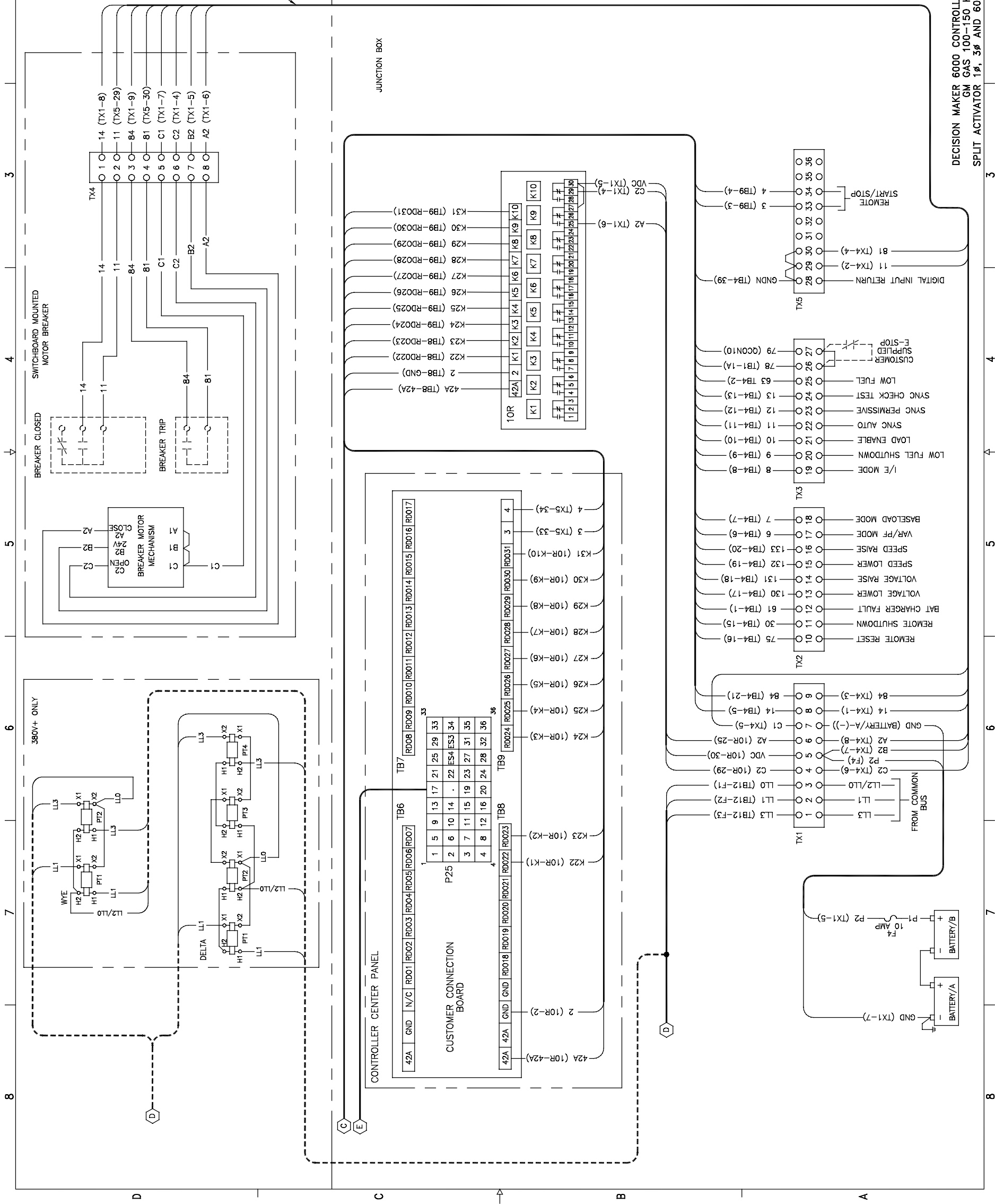
- RELAY DRIVER OUTPUT (RDO) STANDARD FACTORY SETTINGS
- TB6-RD01 OVER SPEED (39)
 - TB6-RD02 OVER CRANK (12)
 - TB6-RD03 HIGH COOLANT TEMP SHUTDOWN (36)
 - TB6-RD04 LOW OIL PRESSURE SHUTDOWN (38)
 - TB6-RD05 HIGH COOLANT TEMP WARNING (40)
 - TB6-RD06 LOW COOLANT TEMP WARNING (40)
 - TB6-RD07 LOW OIL PRESSURE WARNING (41)
 - TB7-RD08 LOW FUEL (63)
 - TB7-RD09 MASTER SWITCH NOT IN AUTO (80)
 - TB7-RD010 NFPA-110 COMMON ALARM (32)
 - TB7-RD011 BATTERY CHARGER FAULT (61)
 - TB7-RD012 LOW BATTERY VOLTAGE (62)
 - TB7-RD013 HIGH BATTERY VOLTAGE (62)
 - TB7-RD014 EMERGENCY STOP (48)
 - TB7-RD015 GENERATOR RUNNING (70R)
 - TB7-RD016 SYSTEM READY (60)
 - TB7-RD017 SYSTEM READY (60)
 - TB8-RD018 DEFINED COMMON FAULT (32A)
 - TB8-RD019 LOW COOLANT LEVEL (26)
 - TB8-RD020 OVER VOLTAGE (26)
 - TB8-RD021 IDLE MODE
 - TB8-RD022 GENERATOR RUNNING
 - TB8-RD023 DEFINED COMMON FAULT
 - TB8-RD024 DEFINED COMMON WARNING
 - TB8-RD025 LOAD SPEED COMMON
 - TB8-RD026 LOAD SPEED COMMON
 - TB8-RD027 IN SYNC
 - TB8-RD028 CB COMMON FAULT
 - TB8-RD029 COMMON PROTECTIVE RELAY WARNING
 - TB8-RD030 BREAKER CLOSE CONTROL
 - TB8-RD031 BREAKER TRIP CONTROL
- NOTE: RDO-1 THRU RDO-31 ARE CUSTOMER DEFINABLE WITH FACTORY DEFAULTS LISTED. SEE CONTROLLER OPERATION MANUAL TO CHANGE. DEFINED COMMON FAULT FACTORY DEFAULT SETTING E-STOP, OVER SPEED, LOW OIL PRESSURE, HIGH COOLANT TEMPERATURE & OVER CRANK.

APPROVALS	DATE	INITIALS	NO.
DESIGNED	CRS	10-13-09	4-6
DRAWN	DPS	10-13-09	4-6
CHECKED	CRS	10-13-09	4-6
APPROVED	CRS	10-13-09	4-6

VALUES OUTSIDE THE BOXES -
 1) WIRING HARNESS
 2) WIRING HARNESS
 3) WIRING HARNESS
 4) WIRING HARNESS
 5) WIRING HARNESS
 6) WIRING HARNESS
 7) WIRING HARNESS
 8) WIRING HARNESS
 9) WIRING HARNESS
 10) WIRING HARNESS
 11) WIRING HARNESS
 12) WIRING HARNESS
 13) WIRING HARNESS
 14) WIRING HARNESS
 15) WIRING HARNESS
 16) WIRING HARNESS
 17) WIRING HARNESS
 18) WIRING HARNESS
 19) WIRING HARNESS
 20) WIRING HARNESS
 21) WIRING HARNESS
 22) WIRING HARNESS
 23) WIRING HARNESS
 24) WIRING HARNESS
 25) WIRING HARNESS
 26) WIRING HARNESS
 27) WIRING HARNESS
 28) WIRING HARNESS
 29) WIRING HARNESS
 30) WIRING HARNESS
 31) WIRING HARNESS
 32) WIRING HARNESS
 33) WIRING HARNESS
 34) WIRING HARNESS
 35) WIRING HARNESS
 36) WIRING HARNESS
 37) WIRING HARNESS
 38) WIRING HARNESS
 39) WIRING HARNESS
 40) WIRING HARNESS
 41) WIRING HARNESS
 42) WIRING HARNESS
 43) WIRING HARNESS
 44) WIRING HARNESS
 45) WIRING HARNESS
 46) WIRING HARNESS
 47) WIRING HARNESS
 48) WIRING HARNESS
 49) WIRING HARNESS
 50) WIRING HARNESS
 51) WIRING HARNESS
 52) WIRING HARNESS
 53) WIRING HARNESS
 54) WIRING HARNESS
 55) WIRING HARNESS
 56) WIRING HARNESS
 57) WIRING HARNESS
 58) WIRING HARNESS
 59) WIRING HARNESS
 60) WIRING HARNESS
 61) WIRING HARNESS
 62) WIRING HARNESS
 63) WIRING HARNESS
 64) WIRING HARNESS
 65) WIRING HARNESS
 66) WIRING HARNESS
 67) WIRING HARNESS
 68) WIRING HARNESS
 69) WIRING HARNESS
 70) WIRING HARNESS
 71) WIRING HARNESS
 72) WIRING HARNESS
 73) WIRING HARNESS
 74) WIRING HARNESS
 75) WIRING HARNESS
 76) WIRING HARNESS
 77) WIRING HARNESS
 78) WIRING HARNESS
 79) WIRING HARNESS
 80) WIRING HARNESS
 81) WIRING HARNESS
 82) WIRING HARNESS
 83) WIRING HARNESS
 84) WIRING HARNESS
 85) WIRING HARNESS
 86) WIRING HARNESS
 87) WIRING HARNESS
 88) WIRING HARNESS
 89) WIRING HARNESS
 90) WIRING HARNESS
 91) WIRING HARNESS
 92) WIRING HARNESS
 93) WIRING HARNESS
 94) WIRING HARNESS
 95) WIRING HARNESS
 96) WIRING HARNESS
 97) WIRING HARNESS
 98) WIRING HARNESS
 99) WIRING HARNESS
 100) WIRING HARNESS

DIAGRAM, WIRING
 GM 100-150 KW
 GM72440

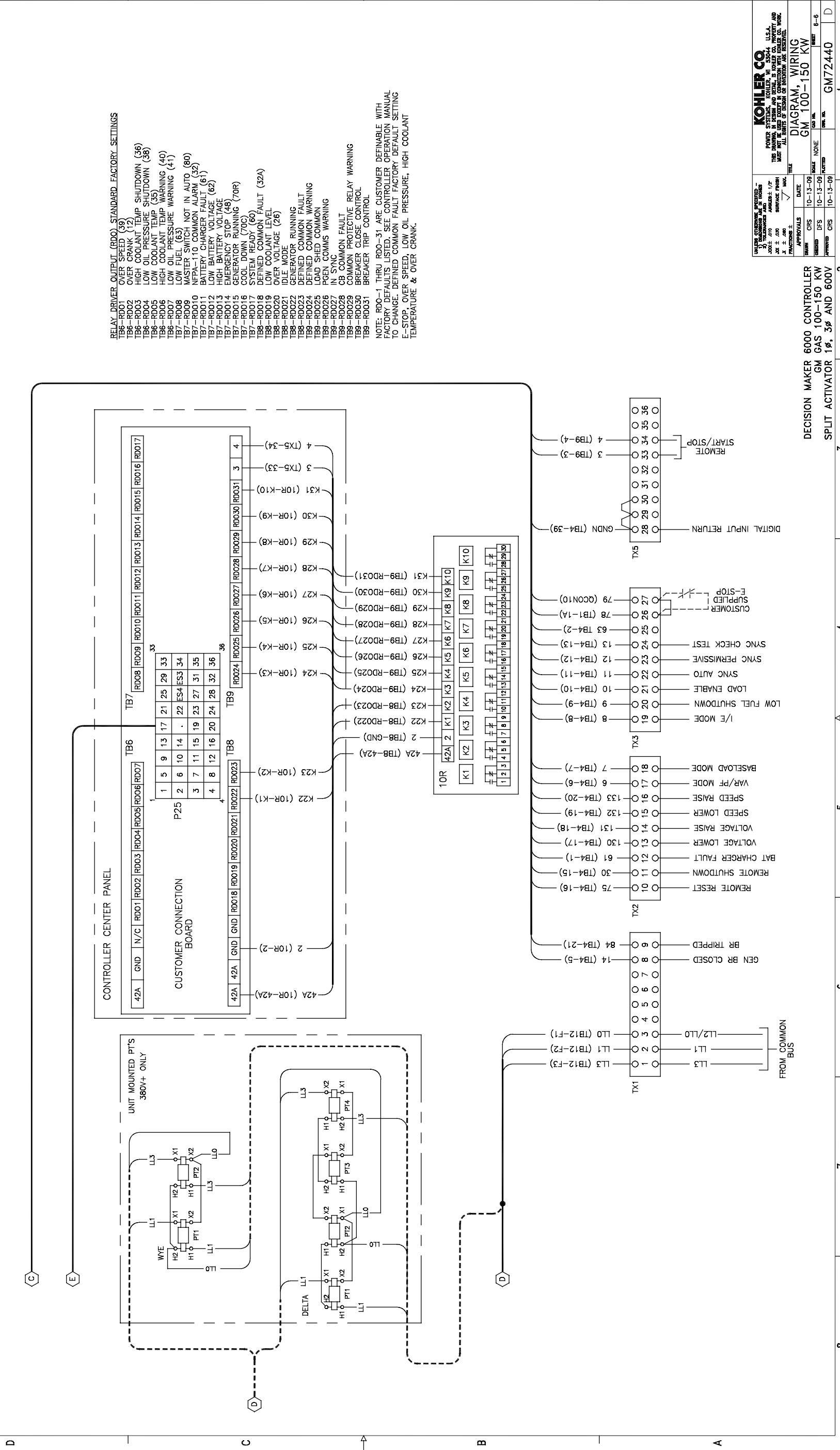
REV	DATE	REVISION	BY
-	10-13-09	NEW DRAWING [88506-1]	CRS
A	7-8-10	[A-6, 7] POWER HARNESS: LEAD DESIGNATION P2 WAS 24DC, LEAD DESIGNATION P1 ADDED, [A-6, B-3] TOR DC HARNESS LEAD DESIGNATION VDC WAS 24DC [0100]	CRS
			DPS



APPROVALS	DATE	BY
DESIGNED	10-13-09	CRS
CHECKED	10-13-09	DPS
APPROVED	10-13-09	CRS

U.S. PATENT & TRADEMARK OFFICE
U.S. PATENT NO. 7,442,442
U.S. PATENT NO. 7,442,443
U.S. PATENT NO. 7,442,444
U.S. PATENT NO. 7,442,445
U.S. PATENT NO. 7,442,446
U.S. PATENT NO. 7,442,447
U.S. PATENT NO. 7,442,448
U.S. PATENT NO. 7,442,449
U.S. PATENT NO. 7,442,450
U.S. PATENT NO. 7,442,451
U.S. PATENT NO. 7,442,452
U.S. PATENT NO. 7,442,453
U.S. PATENT NO. 7,442,454
U.S. PATENT NO. 7,442,455
U.S. PATENT NO. 7,442,456
U.S. PATENT NO. 7,442,457
U.S. PATENT NO. 7,442,458
U.S. PATENT NO. 7,442,459
U.S. PATENT NO. 7,442,460
U.S. PATENT NO. 7,442,461
U.S. PATENT NO. 7,442,462
U.S. PATENT NO. 7,442,463
U.S. PATENT NO. 7,442,464
U.S. PATENT NO. 7,442,465
U.S. PATENT NO. 7,442,466
U.S. PATENT NO. 7,442,467
U.S. PATENT NO. 7,442,468
U.S. PATENT NO. 7,442,469
U.S. PATENT NO. 7,442,470
U.S. PATENT NO. 7,442,471
U.S. PATENT NO. 7,442,472
U.S. PATENT NO. 7,442,473
U.S. PATENT NO. 7,442,474
U.S. PATENT NO. 7,442,475
U.S. PATENT NO. 7,442,476
U.S. PATENT NO. 7,442,477
U.S. PATENT NO. 7,442,478
U.S. PATENT NO. 7,442,479
U.S. PATENT NO. 7,442,480
U.S. PATENT NO. 7,442,481
U.S. PATENT NO. 7,442,482
U.S. PATENT NO. 7,442,483
U.S. PATENT NO. 7,442,484
U.S. PATENT NO. 7,442,485
U.S. PATENT NO. 7,442,486
U.S. PATENT NO. 7,442,487
U.S. PATENT NO. 7,442,488
U.S. PATENT NO. 7,442,489
U.S. PATENT NO. 7,442,490
U.S. PATENT NO. 7,442,491
U.S. PATENT NO. 7,442,492
U.S. PATENT NO. 7,442,493
U.S. PATENT NO. 7,442,494
U.S. PATENT NO. 7,442,495
U.S. PATENT NO. 7,442,496
U.S. PATENT NO. 7,442,497
U.S. PATENT NO. 7,442,498
U.S. PATENT NO. 7,442,499
U.S. PATENT NO. 7,442,500

REV	DATE	REVISION	BY
-	10-13-09	NEW DRAWING [R8009-1]	CRS
A	7-8-10	SEE SHEETS 4 & 5 [90109]	DPS



- RELAY DRIVER OUTPUT (RDO) STANDARD FACTORY SETTINGS**
- TB6-RD01 OVER SPEED (39)
 - TB6-RD02 OVER CRANK (12)
 - TB6-RD03 HIGH COOLANT TEMP SHUTDOWN (36)
 - TB6-RD04 LOW OIL PRESSURE SHUTDOWN (38)
 - TB6-RD05 LOW COOLANT TEMP (35)
 - TB6-RD06 HIGH COOLANT TEMP WARNING (40)
 - TB6-RD07 LOW OIL PRESSURE WARNING (41)
 - TB7-RD08 LOW FUEL (63)
 - TB7-RD09 WATER COMMON ALARM (32)
 - TB7-RD10 BATTERY CHARGER FAULT (61)
 - TB7-RD11 LOW BATTERY VOLTAGE (62)
 - TB7-RD12 HIGH BATTERY VOLTAGE (62)
 - TB7-RD13 EMERGENCY STOP (48)
 - TB7-RD14 GENERATOR RUNNING (70R)
 - TB7-RD15 COOL DOWN (70C)
 - TB7-RD16 SYSTEM READY (60)
 - TB8-RD017 DEFINED COMMON FAULT (32A)
 - TB8-RD018 LOW COOLANT LEVEL
 - TB8-RD019 OVER VOLTAGE (26)
 - TB8-RD020 IDLE MODE
 - TB8-RD021 GENERATOR RUNNING
 - TB8-RD022 DEFINED COMMON FAULT
 - TB8-RD023 DEFINED COMMON WARNING
 - TB8-RD024 LOAD SHED COMMON
 - TB8-RD025 PGM COMM WARNING
 - TB8-RD026 IN VAC
 - TB8-RD027 CB COMMON FAULT
 - TB8-RD028 COMMON PROTECTIVE RELAY WARNING
 - TB8-RD029 COMMON PROTECTIVE RELAY WARNING
 - TB8-RD030 BREAKER CLOSE CONTROL
 - TB8-RD031 BREAKER TRIP CONTROL
- NOTE: RDO-1 THRU RDO-31 ARE CUSTOMER DEFINABLE WITH FACTORY DEFAULTS LISTED. SEE CONTROLLER OPERATION MANUAL TO CHANGE. DEFINED COMMON FAULT FACTORY DEFAULT SETTING E-STOP, OVER SPEED, LOW OIL PRESSURE, HIGH COOLANT TEMPERATURE & OVER CRANK.

APPROVALS	DATE	BY
DESIGNED	10-13-09	CRS
CHECKED	10-13-09	DPS
APPROVED	10-13-09	CRS

UNLESS OTHERWISE SPECIFIED -
 1) DIMENSIONS ARE IN INCHES
 2) DIMENSIONS ARE IN MILLIMETERS
 3) DIMENSIONS ARE IN MILLIMETERS
 4) DIMENSIONS ARE IN MILLIMETERS
 5) DIMENSIONS ARE IN MILLIMETERS
 6) DIMENSIONS ARE IN MILLIMETERS
 7) DIMENSIONS ARE IN MILLIMETERS
 8) DIMENSIONS ARE IN MILLIMETERS
 9) DIMENSIONS ARE IN MILLIMETERS
 10) DIMENSIONS ARE IN MILLIMETERS
 11) DIMENSIONS ARE IN MILLIMETERS
 12) DIMENSIONS ARE IN MILLIMETERS
 13) DIMENSIONS ARE IN MILLIMETERS
 14) DIMENSIONS ARE IN MILLIMETERS
 15) DIMENSIONS ARE IN MILLIMETERS
 16) DIMENSIONS ARE IN MILLIMETERS
 17) DIMENSIONS ARE IN MILLIMETERS
 18) DIMENSIONS ARE IN MILLIMETERS
 19) DIMENSIONS ARE IN MILLIMETERS
 20) DIMENSIONS ARE IN MILLIMETERS
 21) DIMENSIONS ARE IN MILLIMETERS
 22) DIMENSIONS ARE IN MILLIMETERS
 23) DIMENSIONS ARE IN MILLIMETERS
 24) DIMENSIONS ARE IN MILLIMETERS
 25) DIMENSIONS ARE IN MILLIMETERS
 26) DIMENSIONS ARE IN MILLIMETERS
 27) DIMENSIONS ARE IN MILLIMETERS
 28) DIMENSIONS ARE IN MILLIMETERS
 29) DIMENSIONS ARE IN MILLIMETERS
 30) DIMENSIONS ARE IN MILLIMETERS
 31) DIMENSIONS ARE IN MILLIMETERS
 32) DIMENSIONS ARE IN MILLIMETERS
 33) DIMENSIONS ARE IN MILLIMETERS
 34) DIMENSIONS ARE IN MILLIMETERS
 35) DIMENSIONS ARE IN MILLIMETERS
 36) DIMENSIONS ARE IN MILLIMETERS
 37) DIMENSIONS ARE IN MILLIMETERS
 38) DIMENSIONS ARE IN MILLIMETERS
 39) DIMENSIONS ARE IN MILLIMETERS
 40) DIMENSIONS ARE IN MILLIMETERS
 41) DIMENSIONS ARE IN MILLIMETERS
 42) DIMENSIONS ARE IN MILLIMETERS
 43) DIMENSIONS ARE IN MILLIMETERS
 44) DIMENSIONS ARE IN MILLIMETERS
 45) DIMENSIONS ARE IN MILLIMETERS
 46) DIMENSIONS ARE IN MILLIMETERS
 47) DIMENSIONS ARE IN MILLIMETERS
 48) DIMENSIONS ARE IN MILLIMETERS
 49) DIMENSIONS ARE IN MILLIMETERS
 50) DIMENSIONS ARE IN MILLIMETERS
 51) DIMENSIONS ARE IN MILLIMETERS
 52) DIMENSIONS ARE IN MILLIMETERS
 53) DIMENSIONS ARE IN MILLIMETERS
 54) DIMENSIONS ARE IN MILLIMETERS
 55) DIMENSIONS ARE IN MILLIMETERS
 56) DIMENSIONS ARE IN MILLIMETERS
 57) DIMENSIONS ARE IN MILLIMETERS
 58) DIMENSIONS ARE IN MILLIMETERS
 59) DIMENSIONS ARE IN MILLIMETERS
 60) DIMENSIONS ARE IN MILLIMETERS
 61) DIMENSIONS ARE IN MILLIMETERS
 62) DIMENSIONS ARE IN MILLIMETERS
 63) DIMENSIONS ARE IN MILLIMETERS
 64) DIMENSIONS ARE IN MILLIMETERS
 65) DIMENSIONS ARE IN MILLIMETERS
 66) DIMENSIONS ARE IN MILLIMETERS
 67) DIMENSIONS ARE IN MILLIMETERS
 68) DIMENSIONS ARE IN MILLIMETERS
 69) DIMENSIONS ARE IN MILLIMETERS
 70) DIMENSIONS ARE IN MILLIMETERS
 71) DIMENSIONS ARE IN MILLIMETERS
 72) DIMENSIONS ARE IN MILLIMETERS
 73) DIMENSIONS ARE IN MILLIMETERS
 74) DIMENSIONS ARE IN MILLIMETERS
 75) DIMENSIONS ARE IN MILLIMETERS
 76) DIMENSIONS ARE IN MILLIMETERS
 77) DIMENSIONS ARE IN MILLIMETERS
 78) DIMENSIONS ARE IN MILLIMETERS
 79) DIMENSIONS ARE IN MILLIMETERS
 80) DIMENSIONS ARE IN MILLIMETERS
 81) DIMENSIONS ARE IN MILLIMETERS
 82) DIMENSIONS ARE IN MILLIMETERS
 83) DIMENSIONS ARE IN MILLIMETERS
 84) DIMENSIONS ARE IN MILLIMETERS
 85) DIMENSIONS ARE IN MILLIMETERS
 86) DIMENSIONS ARE IN MILLIMETERS
 87) DIMENSIONS ARE IN MILLIMETERS
 88) DIMENSIONS ARE IN MILLIMETERS
 89) DIMENSIONS ARE IN MILLIMETERS
 90) DIMENSIONS ARE IN MILLIMETERS
 91) DIMENSIONS ARE IN MILLIMETERS
 92) DIMENSIONS ARE IN MILLIMETERS
 93) DIMENSIONS ARE IN MILLIMETERS
 94) DIMENSIONS ARE IN MILLIMETERS
 95) DIMENSIONS ARE IN MILLIMETERS
 96) DIMENSIONS ARE IN MILLIMETERS
 97) DIMENSIONS ARE IN MILLIMETERS
 98) DIMENSIONS ARE IN MILLIMETERS
 99) DIMENSIONS ARE IN MILLIMETERS
 100) DIMENSIONS ARE IN MILLIMETERS

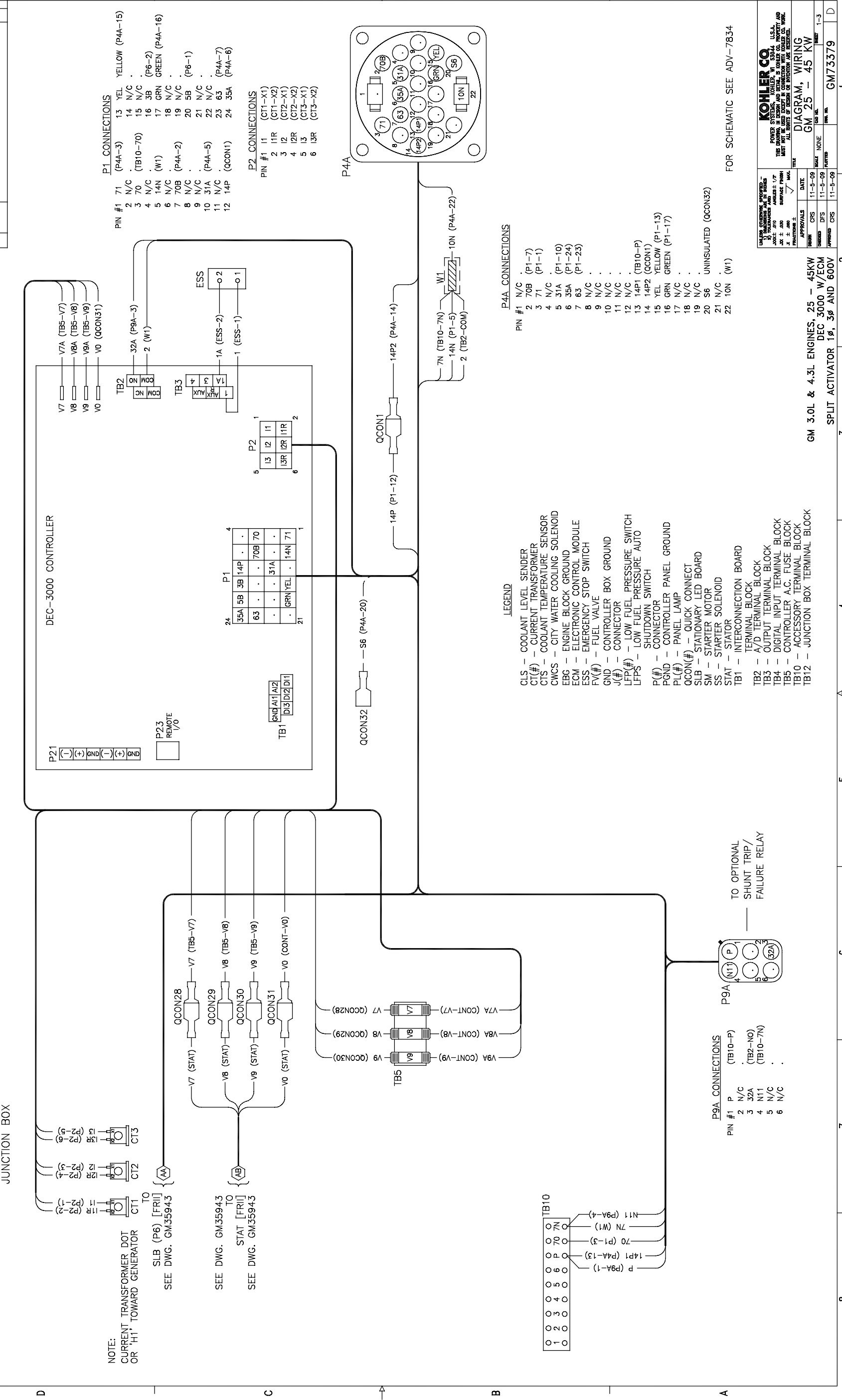
DECISION MAKER 6000 CONTROLLER
GM GAS 100-150 KW
SPLIT ACTIVATOR 1 ϕ , 3 ϕ AND 600V

DIAGRAM, WIRING
GM 100-150 KW

DATE: 10-13-09
 DRAWN: CRS
 CHECKED: DPS
 APPROVED: CRS

SCALE: NONE
 SHEET: 6-6
 REV. NO.: GM72440

REV	DATE	REVISION	BY
-	11-5-09	NEW DRAWING [88985-3]	CRS
A	2-18-10	(1-5, 8 & C-2-3) LEAD 2 BETWEEN W1 & TB2-COM WAS BETWEEN P9A-6 & TB2-COM [88178-4]	DFS
B	6-10-10	SEE SHEET 2 [88716]	DFS



APPROVALS	DATE	SCALE	NO. IN SET	SHEET
DESIGNED	CRS	11-5-09		1-3
CHECKED	DFS	11-5-09		
APPROVED	CRS	11-5-09		

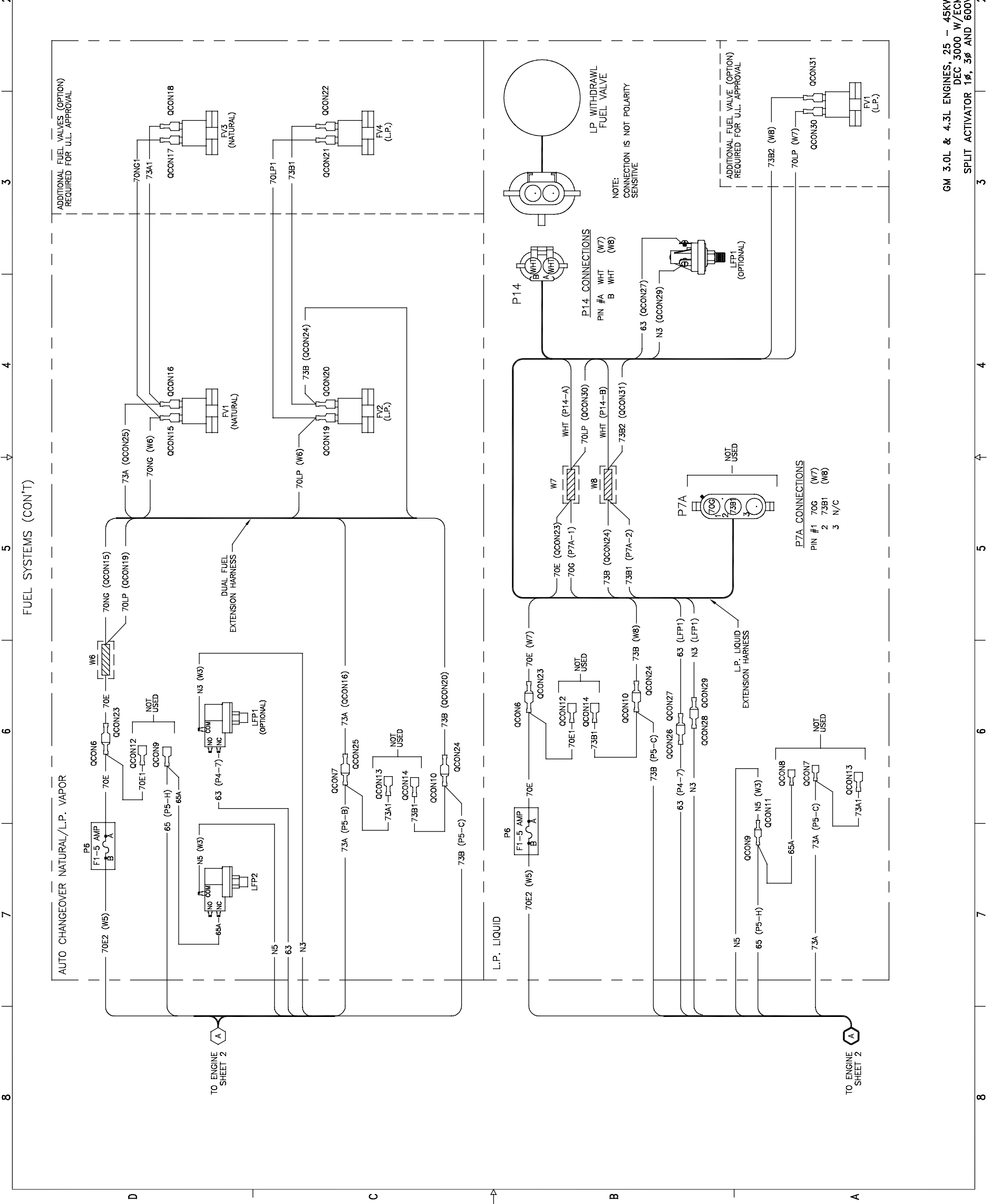
UNLESS OTHERWISE SPECIFIED -
1) DIMENSIONS IN INCHES
2) DIMENSIONS IN MILLIMETERS
3) TOLERANCES UNLESS OTHERWISE SPECIFIED:
DIMENSIONS IN INCHES: FRACTIONS ± .015
DECIMALS ± .005
DIMENSIONS IN MILLIMETERS: FRACTIONS ± .125
DECIMALS ± .025
ALL DIMENSIONS OF HOLES OR RECESSES ARE EXCEPTED.

KOHLER CO. U.S.A.
POWER SYSTEMS AND CONTROLS DIVISION
10000 W. 10TH AVENUE, SUITE 100
DENVER, CO 80231-1000
THIS DRAWING IS THE PROPERTY OF KOHLER CO. IT IS TO BE USED ONLY IN CONNECTION WITH KOHLER CO. WORK.
ALL RIGHTS OF DESIGN OR INVENTION ARE RESERVED.

DIAGRAM, WIRING
GM 25 - 45 KW

GM 3.0L & 4.3L ENGINES, 25 - 45KW	
DEC 3000 W/ECM	
SPLIT ACTIVATOR 1Ø, 3Ø AND 600V	

REV	DATE	REVISION	BY
-	11-5-09	NEW DRAWING [88545-3]	CRS
A	2-18-10	SEE SHEET 1 [89178-4]	DPS
B	8-10-10	SEE SHEET 2 [89716]	DPS



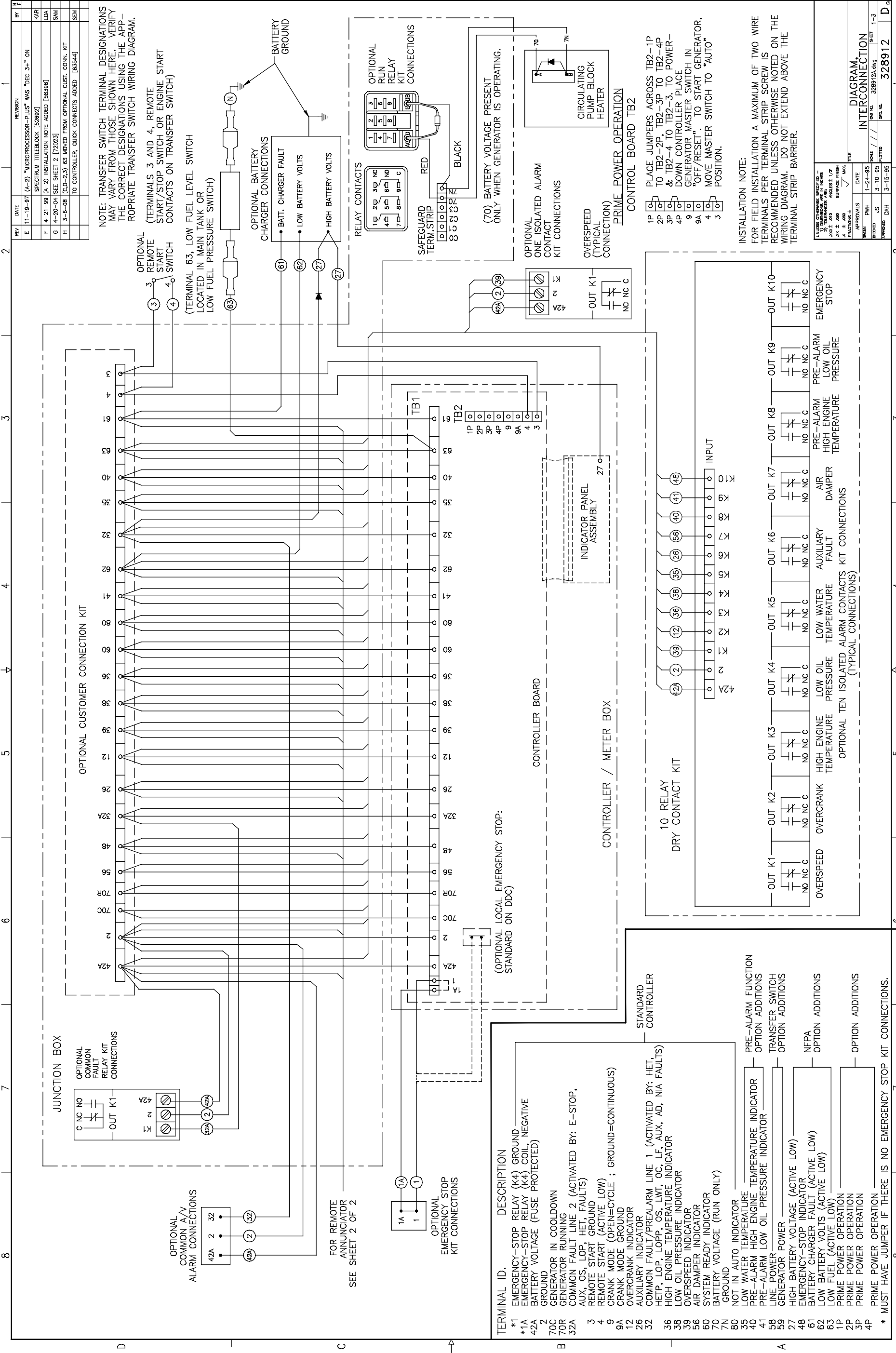
UNLESS OTHERWISE SPECIFIED -	DATE	SCALE	NO. IN SET	SHEET NO.	TITLE
1) DIMENSIONS ARE IN INCHES	11-5-09	11-5-09	NONE	3-3	
2) DIMENSIONS ARE IN MILLIMETERS	CRS				
3) TOLERANCES UNLESS OTHERWISE SPECIFIED -	DPS				
APPROVALS	CRS				
DESIGNED BY	DPS				
CHECKED BY	CRS				
DATE	11-5-09				
SCALE	NONE				
NO. IN SET					
SHEET NO.					
TITLE					

KOHLER CO.
 U.S.A.
 POWER SYSTEMS DIVISION
 2500 N. W. 107th Ave., Fort Lauderdale, FL 33308
 THIS DRAWING IS UNLESS OTHERWISE SPECIFIED IN MILLIMETERS OR INCHES AS SHOWN. ALL DIMENSIONS ARE TO CENTER UNLESS OTHERWISE SPECIFIED.
 ALL DIMENSIONS OF DESIGN ARE ESSENTIAL FOR IDENTIFICATION.

DIAGRAM, WIRING
GM 25 - 45 KW

GM 3.0L & 4.3L ENGINES, 25 - 45KW
DEC 3000 W/ECM
SPLIT ACTIVATOR 1φ, 3φ AND 600V

UNLESS OTHERWISE SPECIFIED -	DATE	SCALE	NO. IN SET	SHEET NO.	TITLE
1) DIMENSIONS ARE IN INCHES	11-5-09	11-5-09	NONE	3-3	
2) DIMENSIONS ARE IN MILLIMETERS	CRS				
3) TOLERANCES UNLESS OTHERWISE SPECIFIED -	DPS				
APPROVALS	CRS				
DESIGNED BY	DPS				
CHECKED BY	CRS				
DATE	11-5-09				
SCALE	NONE				
NO. IN SET					
SHEET NO.					
TITLE					



REV	DATE	REVISION	BY
E	11-19-97	(A-2) MICROPROCESSOR-PLUS™ WAS "DEC 31" ON SPECTRUM TITLEBLOCK [52892]	HAR
F	4-21-98	(A-2) INSTALLATION NOTE ADDED [58396]	LDA
G	4-20-04	SEE SHEET 2 [72023]	SNM
H	3-6-08	(CJ-2-3) 63 MOVED FROM OPTIONAL CUST. CONN. KIT TO CONTROLLER, QUICK CONNECTS ADDED [83544]	SEM

NOTE: TRANSFER SWITCH TERMINAL DESIGNATIONS MAY VARY FROM THOSE SHOWN HERE. VERIFY THE CORRECT DESIGNATIONS USING THE APPROPRIATE TRANSFER SWITCH WIRING DIAGRAM.

(TERMINALS 3 AND 4, REMOTE START/STOP SWITCH OR ENGINE START CONTACTS ON TRANSFER SWITCH)

OPTIONAL REMOTE START SWITCH (TERMINAL 63, LOW FUEL LEVEL SWITCH LOCATED IN MAIN TANK OR LOW FUEL PRESSURE SWITCH)

OPTIONAL BATTERY CHARGER CONNECTIONS

- BATT. CHARGER FAULT
- LOW BATTERY VOLTS
- HIGH BATTERY VOLTS

OPTIONAL RUN RELAY KIT CONNECTIONS

SAFEGUARD TERMINAL STRIP

RED

BLACK

OPTIONAL ISOLATED ALARM CONTACT KIT CONNECTIONS

CIRCULATING PUMP BLOCK HEATER

(70) BATTERY VOLTAGE PRESENT ONLY WHEN GENERATOR IS OPERATING.

OVERSPEED (TYPICAL CONNECTION)

PRIME POWER OPERATION

CONTROL BOARD TB2

PLACE JUMPERS ACROSS TB2-1P TO TB2-2P, TB2-3P TO TB2-4P & TB2-4 TO TB2-3. TO POWER-DOWN CONTROLLER PLACE GENERATOR MASTER SWITCH IN "OFF/RESET" TO START GENERATOR, MOVE MASTER SWITCH TO "AUTO" POSITION.

INSTALLATION NOTE:
FOR FIELD INSTALLATION A MAXIMUM OF TWO WIRE TERMINALS PER TERMINAL STRIP SCREW IS RECOMMENDED UNLESS OTHERWISE NOTED ON THE WIRING DIAGRAM. DO NOT EXTEND ABOVE THE TERMINAL STRIP BARRIER.

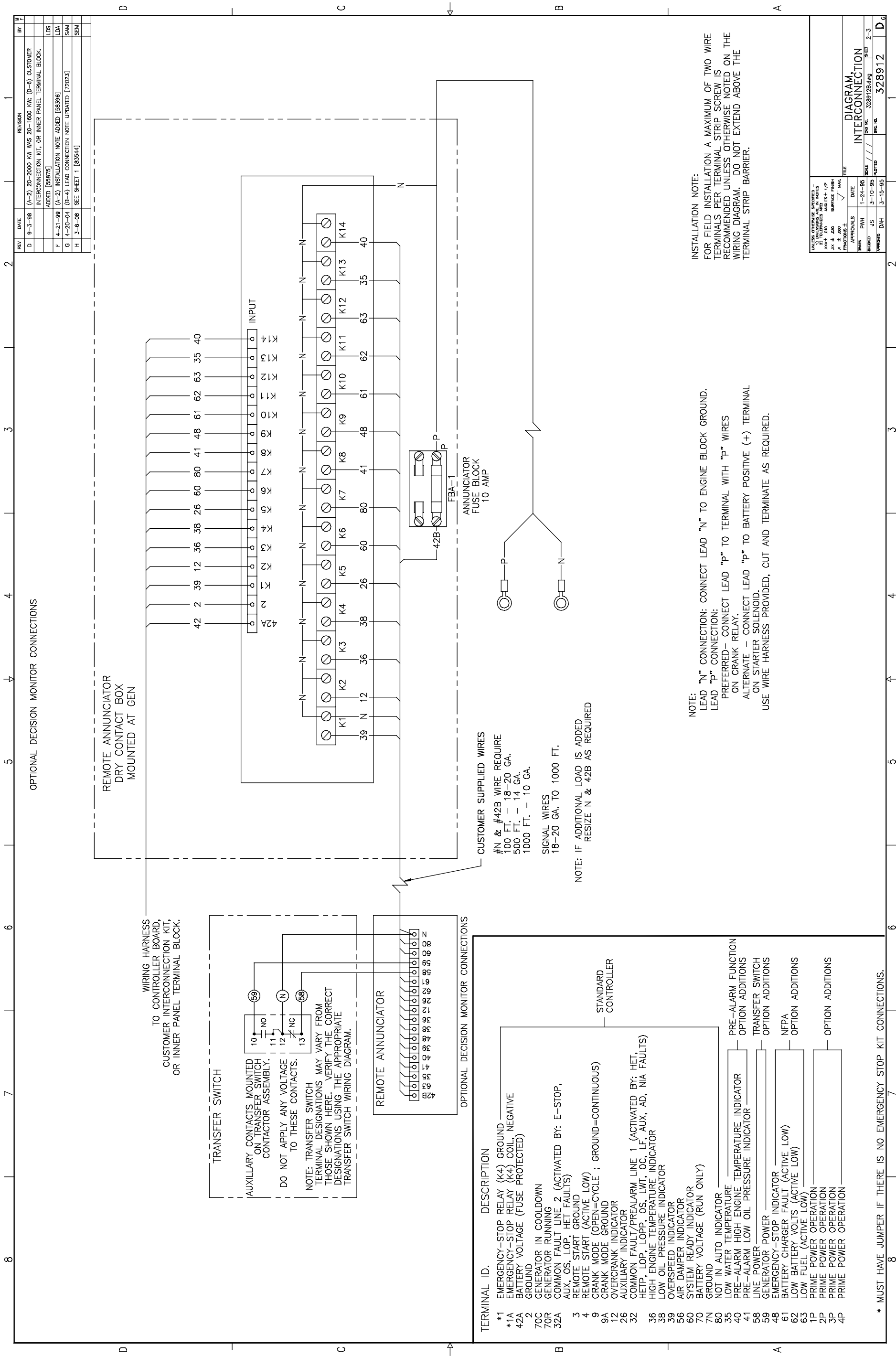
UNLESS OTHERWISE SPECIFIED -	DATE	SCALE	SHEET
3) TERMINALS WITH INCHES	1-24-95	1-3	1-3
1/8" MIN. SURFACE FINISH	3-10-95		
DATE	3-15-95		
APPROVALS			
DESIGN			
FILE			

DIAGRAM INTERCONNECTION

328912

* MUST HAVE JUMPER IF THERE IS NO EMERGENCY STOP KIT CONNECTIONS.

TERMINAL ID.	DESCRIPTION
*1	EMERGENCY-STOP RELAY (K4) GROUND
*1A	EMERGENCY-STOP RELAY (K4) COIL, NEGATIVE
42A	BATTERY VOLTAGE (FUSE PROTECTED)
2	GROUND
70C	GENERATOR IN COOLDOWN
70R	GENERATOR RUNNING
32A	COMMON FAULT LINE 2 (ACTIVATED BY: E-STOP, AUX., OS, LOP, HET, FAULTS)
3	REMOTE START GROUND
4	REMOTE START (ACTIVE LOW)
9	CRANK MODE (OPEN-CYCLE ; GROUND=CONTINUOUS)
9A	CRANK MODE GROUND
12	OVERCRANK INDICATOR
26	AUXILIARY INDICATOR
32	COMMON FAULT/PRE-ALARM LINE 1 (ACTIVATED BY: HET, HETP, LOP, LOPP, OS, LWT, OC, LF, AUX., AD, NIA FAULTS)
36	HIGH ENGINE TEMPERATURE INDICATOR
38	LOW OIL PRESSURE INDICATOR
39	OVERSPEED INDICATOR
56	AIR DAMPER INDICATOR
59	SYSTEM READY INDICATOR
60	BATTERY VOLTAGE (RUN ONLY)
7N	GROUND
80	NOT IN AUTO INDICATOR
35	LOW WATER TEMPERATURE
40	PRE-ALARM HIGH ENGINE TEMPERATURE INDICATOR
41	PRE-ALARM LOW OIL PRESSURE INDICATOR
58	LINE POWER POWER
59	HIGH BATTERY VOLTAGE (ACTIVE LOW)
27	EMERGENCY-STOP INDICATOR
48	BATTERY-CHARGER FAULT (ACTIVE LOW)
61	LOW BATTERY VOLTS (ACTIVE LOW)
63	PRIME POWER OPERATION (ACTIVE LOW)
1P	PRIME POWER OPERATION
2P	PRIME POWER OPERATION
3P	PRIME POWER OPERATION
4P	PRIME POWER OPERATION



REV	DATE	REVISION	BY
D	9-3-98	(A-2) 20-2000 KW WAS 20-1600 KW (D-6) CUSTOMER INTERCONNECTION KIT, OR INNER PANEL TERMINAL BLOCK. ADDED [56875]	
F	4-21-98	(A-2) INSTALLATION NOTE ADDED [56396]	LDS
G	4-20-04	(B-4) LEAD CONNECTION NOTE UPDATED [72023]	SAM
H	3-6-08	SEE SHEET 1 [83544]	SEM

INSTALLATION NOTE:
 FOR FIELD INSTALLATION A MAXIMUM OF TWO WIRE TERMINALS PER TERMINAL STRIP SCREW IS RECOMMENDED UNLESS OTHERWISE NOTED ON THE WIRING DIAGRAM. DO NOT EXTEND ABOVE THE TERMINAL STRIP BARRIER.

NOTE:
 LEAD "N" CONNECTION: CONNECT LEAD "N" TO ENGINE BLOCK GROUND.
 LEAD "P" CONNECTION:
 PREFERRED- CONNECT LEAD "P" TO TERMINAL WITH "P" WIRES ON CRANK RELAY.
 ALTERNATE - CONNECT LEAD "P" TO BATTERY POSITIVE (+) TERMINAL ON STARTER SOLENOID.
 USE WIRE HARNESS PROVIDED, CUT AND TERMINATE AS REQUIRED.

APPROVALS	DATE	SCALE	SHEET
DESIGNED	1-24-95	1-24-95	2-3
CHECKED	3-10-95	3-10-95	2-3
APPROVED	DAH	3-15-95	2-3

DIAGRAM, INTERCONNECTION

FILE NO. 328912B.dwg

PLotted 328912

TP-6712 2/12c

© 2009, 2010, 2012 by Kohler Co. All rights reserved.

KOHLER[®] POWER SYSTEMS

KOHLER CO. Kohler, Wisconsin 53044
Phone 920-457-4441, Fax 920-459-1646
For the nearest sales/service outlet in the
US and Canada, phone 1-800-544-2444
KohlerPower.com

Kohler Power Systems
Asia Pacific Headquarters
7 Jurong Pier Road
Singapore 619159
Phone (65) 6264-6422, Fax (65) 6264-6455