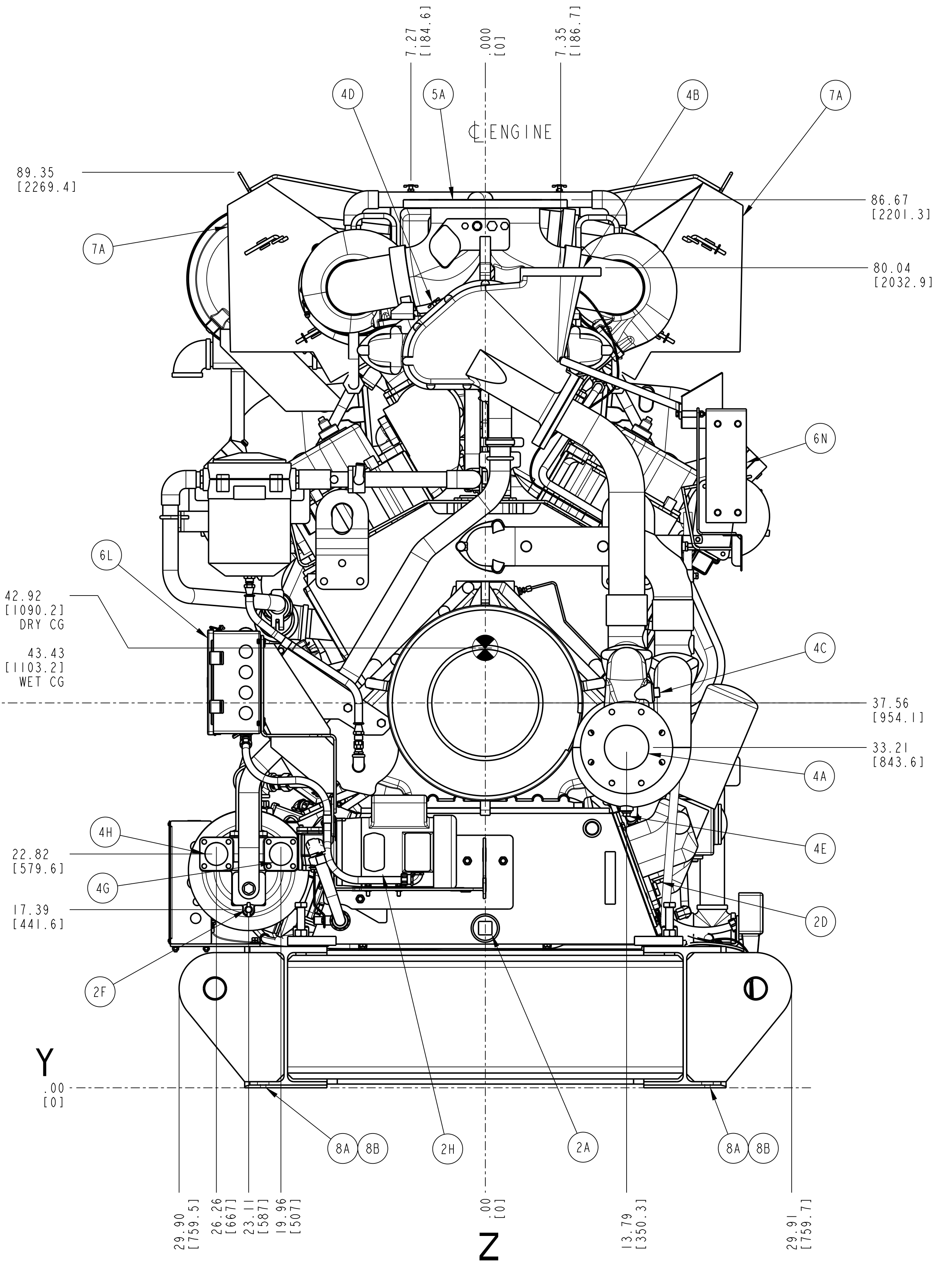


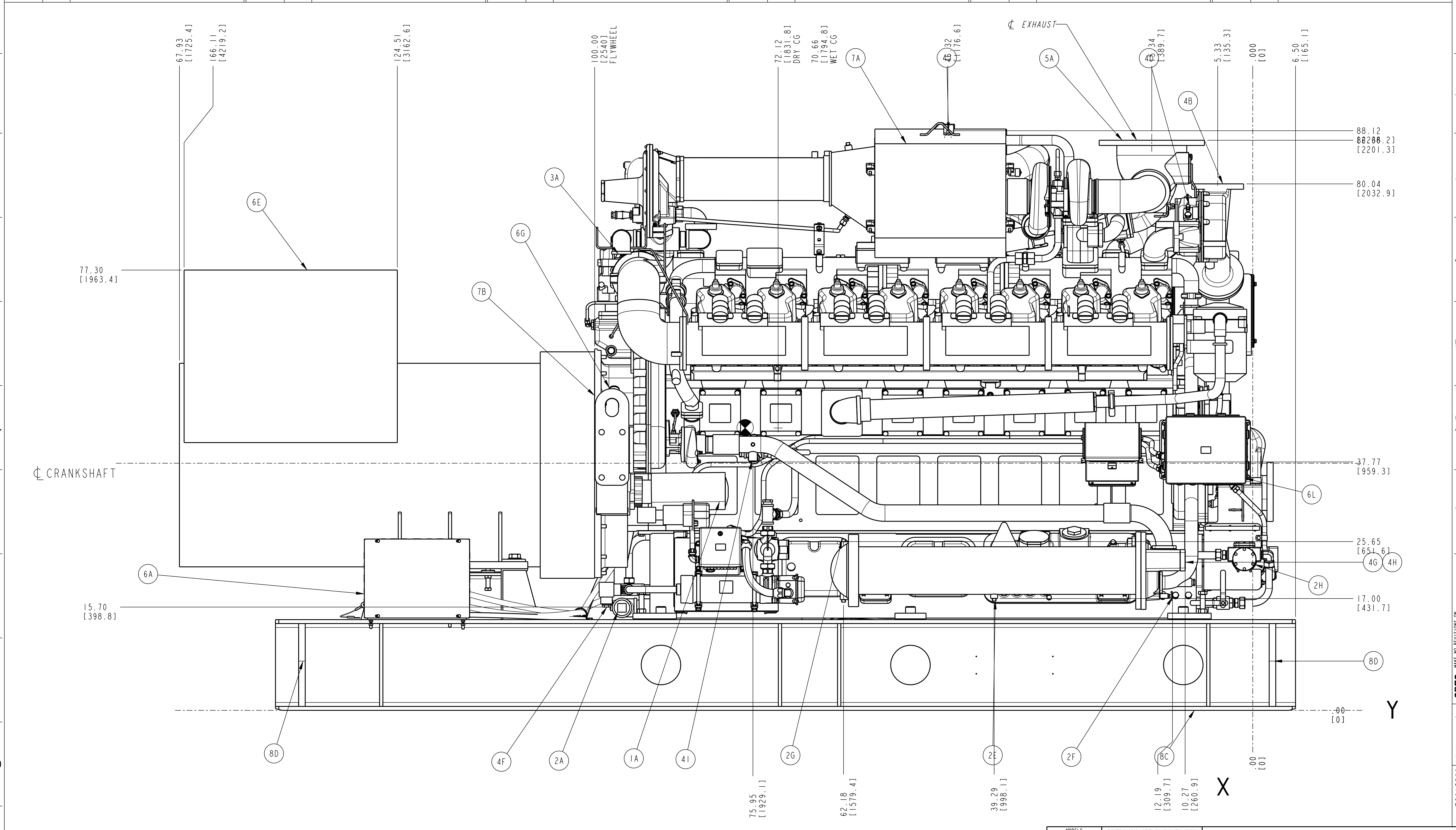
REAR VIEW



FRONT VIEW

| | | | | | | | | |
|-------------------|-------------------------------|--|---|----------|--|-------|----------|----|
| MODELS VGF48GL | DIMENSIONS ARE IN INCHES (MM) | | | | DESCRIPTION P48GL ENGINE OUTLINE (WC) | | | |
| REFERENCE DOCS. | THIRD ANGLE PROJECTION | | | | FILE | C.C. | PART NO. | |
| DRW. AMS 08-17-22 | THIRD ANGLE PROJECTION | | <small>PROPRIETARY AND CONFIDENTIAL - INFORMATION CONTAINED IN THIS DOCUMENT MAY NOT BE USED, COPIED, DISCLOSED, OR EXPORTED WITHOUT WRITTEN PERMISSION OF INNIO WAUKESHA GAS ENGINES INC. COPYRIGHT 2022, INNIO WAUKESHA</small> | D | PC2206S | | | |
| CHR. NAV 08-18-22 | | | | | | SCALE | SHEET | OF |
| APP. DRO 08-19-22 | | | | | | 0.150 | 1 | 6 |

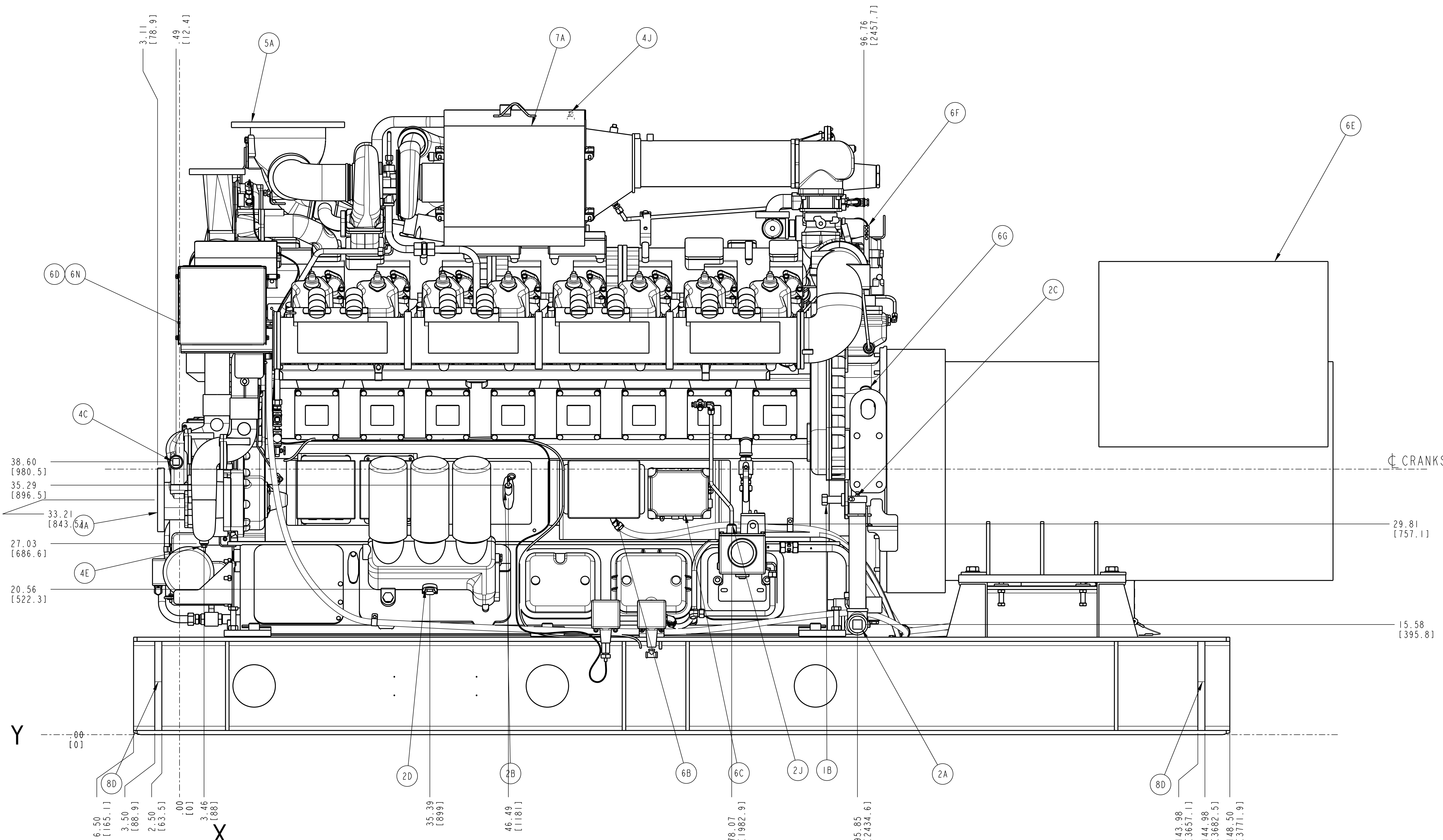
ECO E2015369 REV No. -A CREO MAKE NO REVISIONS ON THIS REPRODUCIBLE



RIGHT SIDE VIEW

| | | | | | |
|-------------------|-------------------------------|-------------------|----------------------------|---|--|
| MODELS VGF48GL | DIMENSIONS ARE IN INCHES (MM) | | THIRD ANGLE PROJECTION | <small>PROPRIETARY AND CONFIDENTIAL - INFORMATION CONTAINED IN THIS DOCUMENT MAY NOT BE USED, COPIED, DISCLOSED, OR EXPORTED WITHOUT WRITTEN PERMISSION OF INNIO WAUKESHA GAS ENGINES INC. COPYRIGHT 2022, INNIO WAUKESHA</small> | DESCRIPTION P48GL ENGINE OUTLINE (WC) |
| REFERENCE DOCS. | DRW. AMS 08-17-22 | CHR. NAV 08-18-22 | | | APP. DRO 08-19-22 |
| | | | | SCALE 0.150 | SHEET 2 OF 6 |

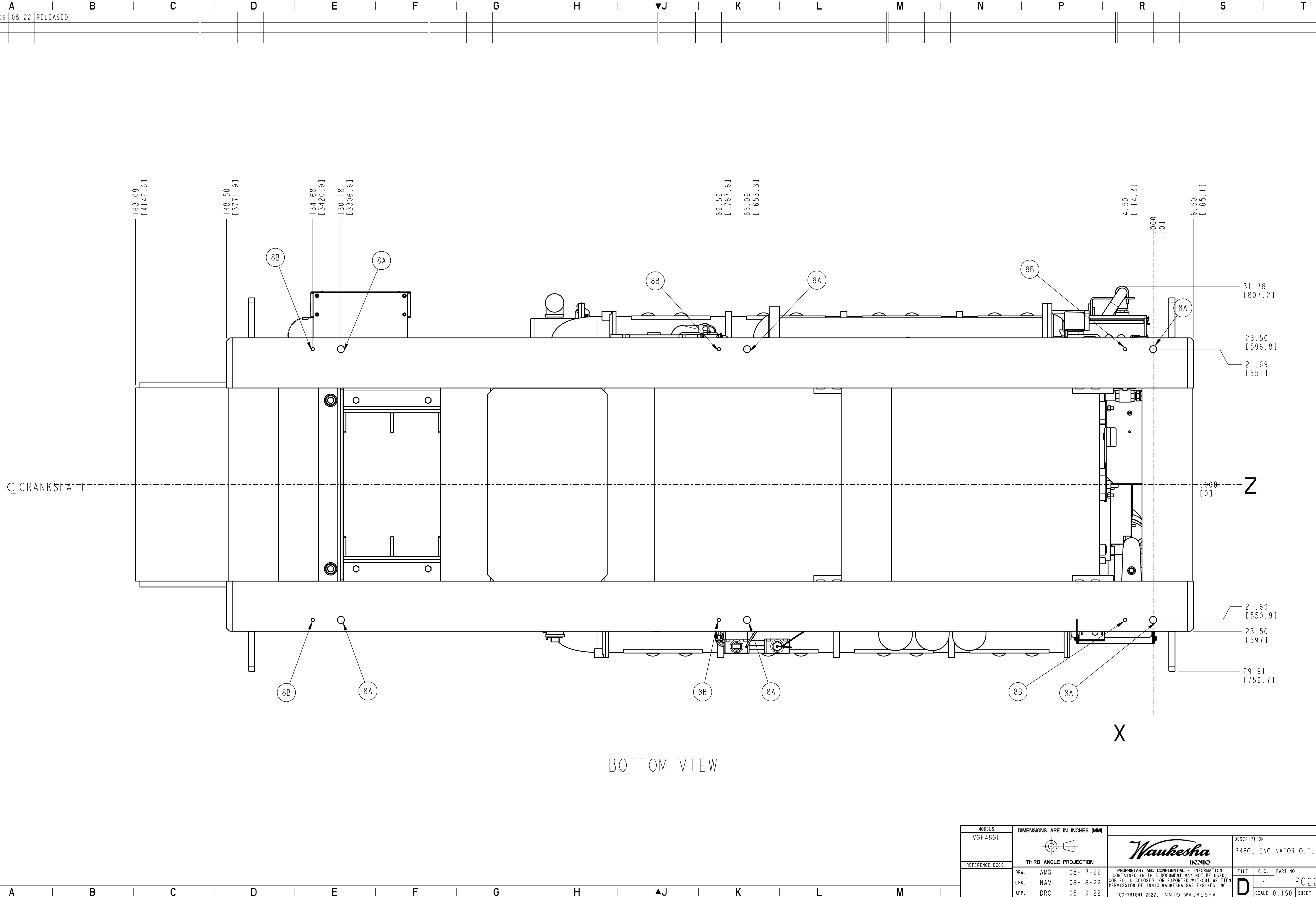
ECO E2015369 REV No. -A CREO MAKE NO REVISIONS ON THIS REPRODUCIBLE



LEFT SIDE VIEW

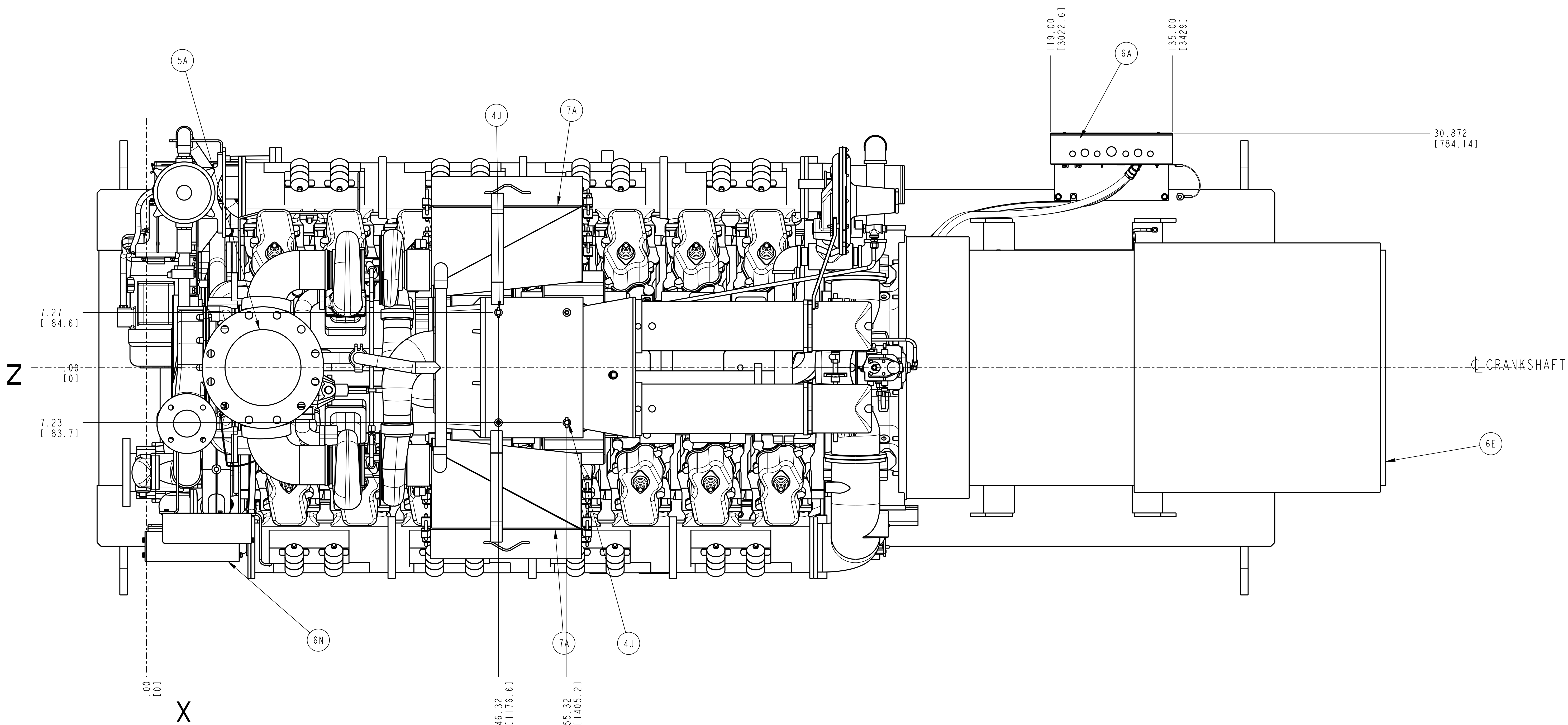
| | | | | | |
|------------------------|-------------------|-------------------------------|---|--|--------------|
| MODELS VGF48GL | | DIMENSIONS ARE IN INCHES (MM) | | DESCRIPTION P48GL ENGINEATOR OUTLINE (WC) | |
| THIRD ANGLE PROJECTION | | | | | |
| DRW. AMS 08-17-22 | CHR. NAV 08-18-22 | APP. DRO 08-19-22 | PROPRIETARY AND CONFIDENTIAL - INFORMATION CONTAINED IN THIS DOCUMENT MAY NOT BE USED, COPIED, DISCLOSED, OR EXPORTED WITHOUT WRITTEN PERMISSION OF INNIO WAUKESHA GAS ENGINES INC. COPYRIGHT 2022, INNIO WAUKESHA | FILE | C.C. |
| | | | SCALE 0.150 | PART NO. PC2206S | SHEET 3 OF 6 |

ECO E2015369 REV No. -A CREO MAKE NO REVISIONS ON THIS REPRODUCIBLE



| | | | | | |
|-------------------|---|--|---|-----------|-----------|
| MODELS VGF48GL | DIMENSIONS ARE IN INCHES (MM) THIRD ANGLE PROJECTION | | DESCRIPTION P48GL ENGINEATOR OUTLINE (WC) | | |
| REFERENCE DOCS. | DRW. AMS 08-17-22 CHR. NAV 08-18-22 APP. DRO 08-19-22 | | PROPRIETARY AND CONFIDENTIAL - INFORMATION CONTAINED IN THIS DOCUMENT MAY NOT BE USED, COPIED, DISCLOSED, OR EXPORTED WITHOUT WRITTEN PERMISSION OF INNIO WAUKESHA GAS ENGINES INC. COPYRIGHT 2022, INNIO WAUKESHA | FILE D | C.C. - |
| | | | SCALE 0.150 SHEET 4 OF 6 | | |

ECO E2015369 | REV No. -A | CREO | MAKE NO REVISIONS ON THIS REPRODUCIBLE



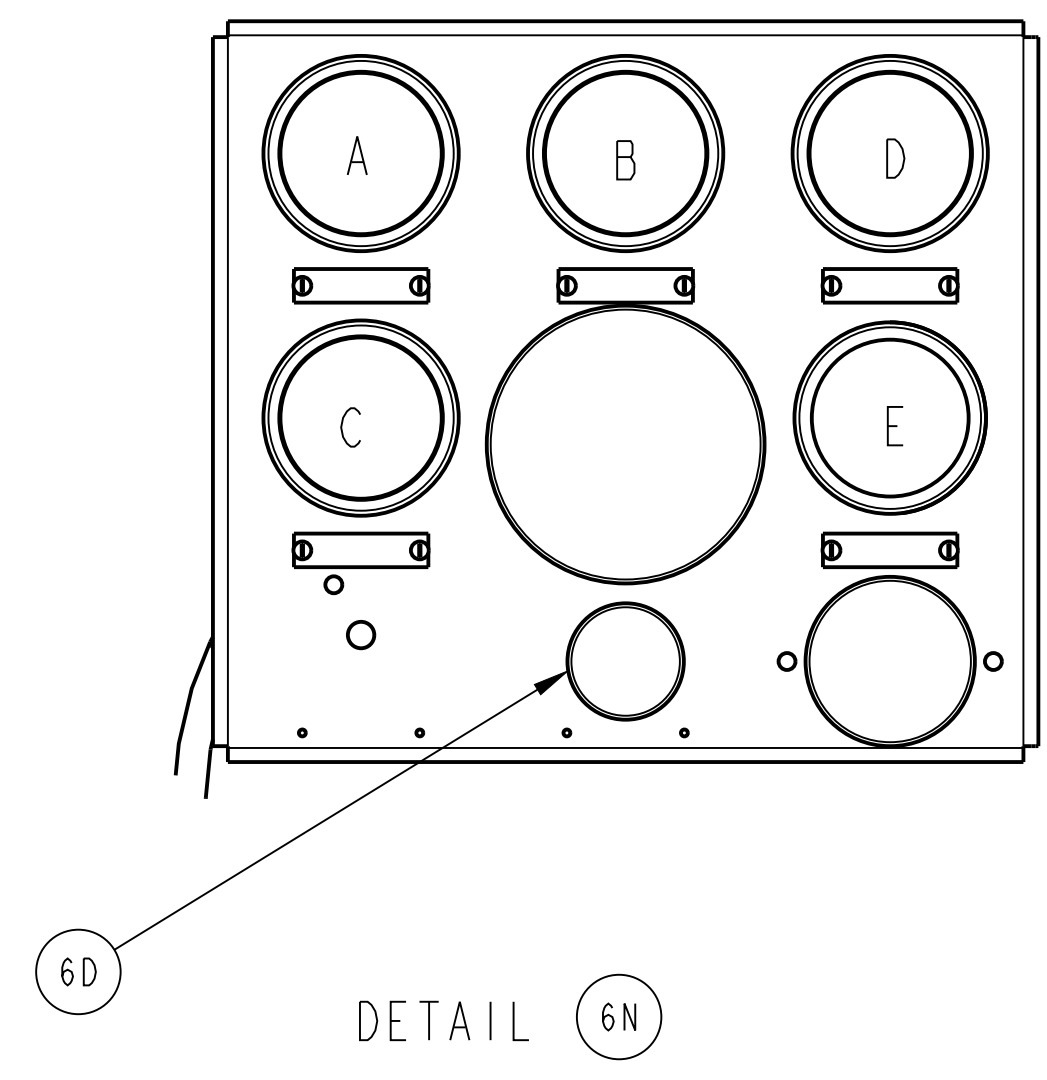
TOP VIEW

| | | | | | |
|------------------------|--------------|--|-------|--|---------|
| MODELS VGF48GL | | DIMENSIONS ARE IN INCHES (MM) | | DESCRIPTION P48GL ENGINEATOR OUTLINE (WC) | |
| THIRD ANGLE PROJECTION | | | | | |
| DRW. | AMS 08-17-22 | FILE | C.C. | PART NO. | |
| CHR. | NAV 08-18-22 | <small>PROPRIETARY AND CONFIDENTIAL - INFORMATION CONTAINED IN THIS DOCUMENT MAY NOT BE USED, COPIED, DISCLOSED, OR EXPORTED WITHOUT WRITTEN PERMISSION OF INNIO WAUKESHA GAS ENGINES INC.</small> | | D | PC2206S |
| APP. | DRO 08-19-22 | SCALE | 0.150 | SHEET | 5 OF 6 |
| | | COPYRIGHT 2022, INNIO WAUKESHA | | | |

ECO E2015369 REV No. -A CREO MAKE NO REVISIONS ON THIS REPRODUCIBLE

ENGINEATOR CONNECTIONS AND EQUIPMENT

| CODE | CONNECTION | SIZE |
|------|--|----------------------------|
| 1A | ELECTRIC STARTING MOTOR WITH 0.50-13 THREADED STUDS | |
| 1B | MANUAL BARRING DEVICE | |
| 2A | LUBE OIL DRAIN | 2.00-11.5 NPT |
| 2B | LUBE OIL DIPSTICK (1 EACH SIDE) | |
| 2C | LUBE OIL FILL (MANUAL) | |
| 2D | LUBE OIL FILTER DRAIN | 1.00-11.5 NPT |
| 2E | LUBE OIL DRAIN AT LUBE OIL COOLER | 0.50-14 NPSC |
| 2F | LUBE OIL COOLER WATER DRAIN | 0.25-18 NPSC |
| 2G | LUBE OIL COOLER AIR VENT | 0.25-18 NPTF |
| 2H | LUBE OIL PRELUBE MOTOR AND PUMP | |
| 2J | LUBE OIL FILL AT OIL LEVEL REGULATOR | 0.50-14 NPT |
| 3A | GAS FUEL INLET | 2.00-11.5 NPT |
| 4A | JACKET COOLANT INLET | 4.00 ANSI CLASS 125 FLANGE |
| 4B | JACKET COOLANT OUTLET | 3.00 ANSI CLASS 125 FLANGE |
| 4C | JACKET COOLANT STATIC LINE CONNECTION | 1.00-11.5 NPTF |
| 4D | JACKET COOLANT AIR BLEED CONNECTION | 0.50-14 NPTF |
| 4E | JACKET COOLANT PUMP DRAIN | M18-1.5 |
| 4F | JACKET WATER HEATER DRAIN | 1.00-11.5 NPT |
| 4G | AUXILIARY COOLANT INLET | 2.00-11.5 NPT |
| 4H | AUXILIARY COOLANT OUTLET | 2.00-11.5 NPT |
| 4I | AUXILIARY COOLANT STATIC LINE CONNECTION | 0.75-14 NPTF |
| 4J | AUXILIARY COOLANT AIR BLEED CONNECTION | 0.25-18 NPT |
| 5A | EXHAUST OUTLET - MATES WITH 10.00 ANSI CLASS 125 FLANGE EXHAUST SYSTEM BEYOND THIS POINT MUST SUPPORT ITS OWN WEIGHT AND THERMAL EXPANSION. MOUNTING THE UNIT ON VIBRATION ISOLATORS WILL REQUIRE ADDITIONAL FLEXIBLE CAPABILITIES. (SEE S8242 EXHAUST SYSTEM INSTALLATION GUIDELINES) | |
| 6A | UNIT JUNCTION BOX (TB6-DC) | |
| 6B | CEC JUNCTION BOX (TB7) | |
| 6C | CEC IGNITION MODULE | |
| 6D | EMERGENCY STOP SWITCH (EMSS) | |
| 6E | GENERATOR JUNCTION BOX - (TB3, SPACE HEATER, AREP, EXCITER, WINDING AND BEARING TEMP DETECTORS, CT'S) | |
| 6F | GOVERNOR ACTUATOR (WOODWARD EG3P) | |
| 6G | MAGNETIC PICKUP | |
| 6H | GROUNDING HOLE | Ø0.51 [13] |
| 6L | UNIT JUNCTION BOX TB7A (AC) | 2 X 0.75 NPT |
| 6N | INSTRUMENT PANEL | |
| 7A | AIR CLEANER | |
| 7B | REAR FACE OF ENGINE FLYWHEEL HOUSING | |
| 8A | UNIT MOUNTING HOLES (3 EACH SIDE)* *8A SHOULD BE USED FOR SOLID MOUNTING TO THE FOUNDATION | 6 X Ø1.13 [29] |
| 8B | UNIT MOUNTING HOLES (3 EACH SIDE)* *8B SHOULD BE USED FOR VIBRATION ISOLATOR MOUNTING (OPTIONALLY SUPPLIED BY WAUKESHA) NOTE: INSTALL THE 0.05" VIBRATION ISOLATOR LOCKING BOLT THROUGH THIS HOLE. | 6 X Ø0.63-11 UNC-2B |
| 8C | WIDE FLANGE STEEL BEAM W14 X 48#/FT. ASTM A36 DESIGNED FOR MOUNTING ON AN INERTIA BLOCK, RUBBER PADS OR VIBRATION ISOLATORS | |
| 8D | UNIT LIFTING HOLES (2 EACH SIDE) | 4 X Ø2.00 [51] |



- A. OIL PRESSURE GAUGE
- B. JACKET WATER TEMPERATURE GAUGE
- C. OIL TEMPERATURE GAUGE
- D. INTAKE MANIFOLD TEMPERATURE GAUGE
- E. INTAKE MANIFOLD PRESSURE GAUGE

ENGINEATOR NOTES

- A. REFERENCE DIMENSIONS: X - FRONT UNIT MOUNTING HOLES.
Y - BOTTOM OF UNIT BASE.
Z - CENTERLINE OF ENGINE (END VIEW)
- B. ADJUST ISOLATORS ON SHIM UNDER BASE TO OBTAIN LEVEL MOUNTING ON SOLID MOUNTED UNITS.
- C. ALL CONNECTIONS TO UNIT MUST BE FLEXIBLE. SEE PC210IC FOR INSTALLATION INSTRUCTIONS.
- D. GROUND UNIT - SIZE PER LOCAL ELECTRICAL CODE.
- E. LUBE OIL CAPACITY INCLUDING FILTERS AND COOLER: 113 GALLONS [428 LITERS].
- F. COOLANT WATER CAPACITY - JACKET CIRCUIT: 58 GALLONS [220 LITERS].
AUXILIARY CIRCUIT: 14 GALLONS [53 LITERS].
- G. UNIT DRY WEIGHT - 24600 LBS [11200 KG]
UNIT WET WEIGHT - 26100 LBS [11900 KG]
- H. DUE TO SHIMMING ALL VERTICAL DIMENSIONS CAN VARY +0.25/-0 [+6/-0]
- J. ALL GAS VENTED OR DISCHARGED FROM UNIT SHOULD BE PIPED TO A SAFE AREA TO MEET APPLICABLE CODES.
- K. ALL DIMENSIONS ARE IN INCHES AND [MILIMETERS]
- L. ESTIMATED UNIT CENTER OF GRAVITY.
- M. OIL LEVEL REGULATOR INLET PRESSURE REQUIREMENTS:
24.13-689.48 KPA [3.5-100 PSI] - REGULATOR WITH FLOW METER.

| | | | |
|-------------------|-----------------------------------|---|--|
| MODELS VGF48GL | DIMENSIONS ARE IN INCHES (MM) | PROPRIETARY AND CONFIDENTIAL - INFORMATION CONTAINED IN THIS DOCUMENT MAY NOT BE USED, COPIED, DISCLOSED, OR EXPORTED WITHOUT WRITTEN PERMISSION OF INNIO WAUKESHA GAS ENGINES INC. COPYRIGHT 2022, INNIO WAUKESHA | DESCRIPTION P48GL ENGINEATOR OUTLINE (WC) |
| REFERENCE DOCS. | THIRD ANGLE PROJECTION | | FILE C.C. PART NO. D - PC2206S |
| DRW. AMS 08-17-22 | CHR. NAV 08-18-22 | APP. DRO 08-19-22 | SCALE 0.150 SHEET 6 OF 6 |

ECO E2015369 REV No. -A CREO MAKE NO REVISIONS ON THIS REPRODUCIBLE