



**MERCER VALVE CO., INC.**  
AUTO SEAT TECHNOLOGY®

# 9100 SERIES Threaded



**MERCER VALVE**

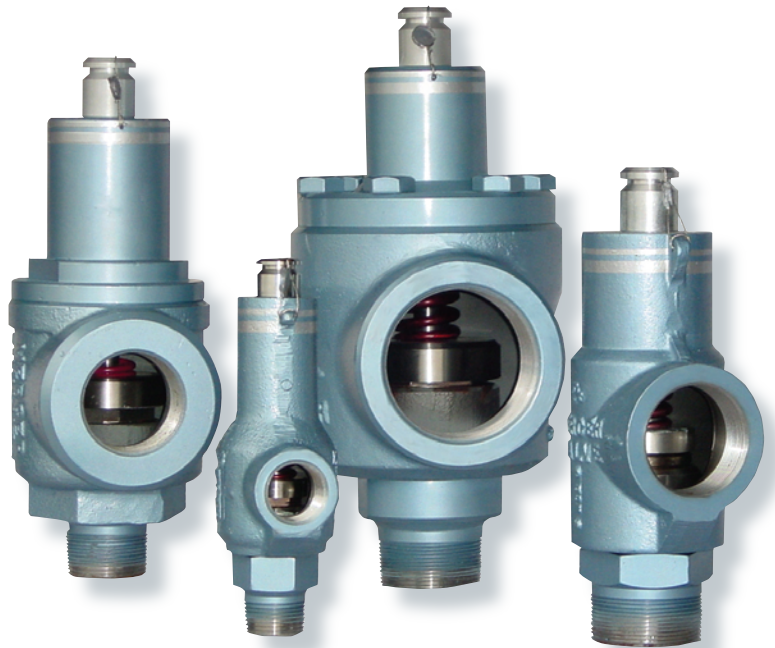
**THINK...MERCER FIRST™**





## **9100 Series Threaded Product Overview**

The Mercer Valve 9100 Series Pressure Relief Valve is "State of the Art" in soft seat, high flow rate, pressure relieving devices. The 9100 Series is a continuation of the 8100 Series, incorporating our patented **Auto Seat Technology®** into its design. Mercer Valve's **Auto Seat Technology®** has made the 9100 Series an industry leader with its reliable, repeatable set pressures. The patented soft seat design and fully guided disk allow the valve to continually outlast the competition. The soft seat 9100 Series has a field-proven lip seal design, which allows for a tighter seal up to set pressure. This tight seal reduces leaks and limits product loss.



The 9100 Series is manufactured in accordance with the requirements of ASME Boiler and Pressure Vessel Code, Section VIII, Division 1 for Air/Gas and Liquid service. The 9100 Series is well suited for specialty gases, compressors, separators, transmission, gathering lines and other production processes.

### **9100 Series Threaded Features**

- **Designed with Auto Seat Technology®.**
- **Consistent Set Pressures allowing repeatable uses without repair or resetting.**
- **Open, Close, Seat and Seal™.**
- **Fully guided disk keeps the disk properly aligned, opening and closing, helping to reseal the valve.**
- **Mechanical Stop prevents wear on parts and controls valve lift.**
- **Low rated and fully guided spring allows for more consistent set pressures from pop to pop.**
- **Pop Action relief allows valve to go to full lift at set pressure. Helps with DOT regulated applications.**
- **Built in accordance with the requirements of ASME Boiler and Pressure Vessel Code. Sec. VIII Div 1.**
- **Non-rising stems allowing valves to be installed in small areas.**



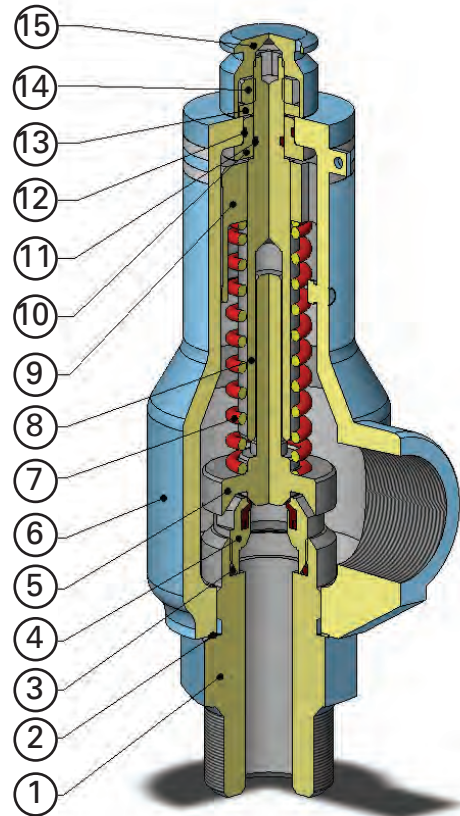
## 9100 Series Threaded Specifications

Orifice Letter	C	D	E	F	G	H	J	K
<b>Standard Inlet Sizes</b>	1/2", 3/4", 1"	3/4", 1"	3/4", 1"	1 1/2", 2"	1 1/2", 2"	1 1/2", 2"	2", 3"	3"
<b>Inlet and Outlet Connection Types Available</b>	Male NPT x Female NPT or Female NPT x Female NPT							
<b>Actual Orifice Diameter (in)</b>	.281	.394	.520	.655	.775	1.050	1.350	1.625
<b>Actual Orifice Area (in<sup>2</sup>)</b>	.062	.122	.212	.337	.472	.865	1.430	2.074
<b>API Orifice Area (in<sup>2</sup>)</b>	---	.110	.196	.307	.503	.785	1.287	1.838
<b>Pressure Ranges (psi)</b>	15 to 2999	15 to 2999	15 to 2400	15 to 2400	15 to 2000	15 to 2000	15 to 800	15 to 750
<b>Standard Temperature Range (°F)</b>	-20 to 400	-20 to 400	-20 to 400	-20 to 400	-20 to 400	-20 to 400	-20 to 400	-20 to 400
<b>ASME Flow Coefficient, K<sub>d</sub> (Gas)</b>	.818	.818	.818	.818	.818	.818	.818	.818
<b>ASME Flow Coefficient, K<sub>d</sub> (Liquid)</b>	.707	.707	.707	.707	.707	.707	.707	.707

**NOTE: Mercer Valve reserves the right to change product designs and specifications without notice.**



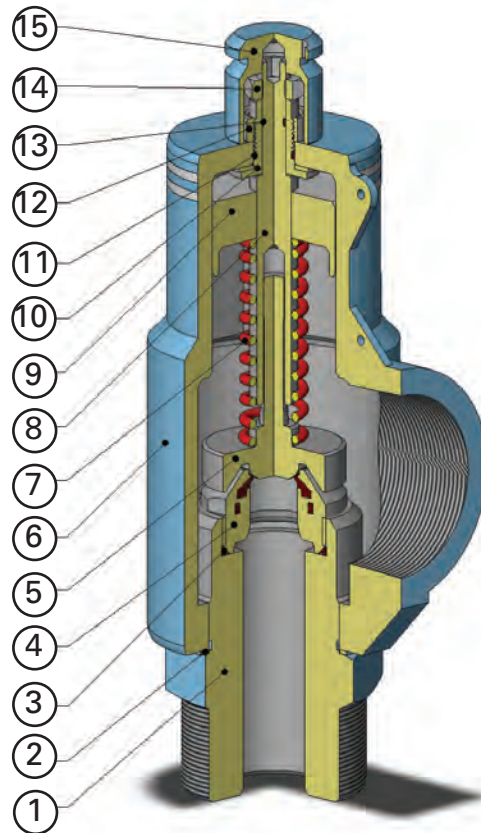
## 9100 Series Threaded Parts and Materials



### 9100 SERIES THREADED C , D , & E ORIFICES

ITEM NO	PART NAME	STANDARD MATERIALS
1	INLET BASE	CARBON STEEL
2	BASE SEAL	SOFT STEEL
3	NOZZLE O-RING	VITON
4	NOZZLE SUBASSEMBLY	STAINLESS STEEL WITH SOFT SEAT
5	DISK SUBASSEMBLY	STAINLESS STEEL
6	BODY SUBASSEMBLY	CARBON STEEL
7	SET SPRING	STAINLESS STEEL
8	ADJUSTMENT SCREW	STAINLESS STEEL
9	ADJUSTMENT BUSHING	STAINLESS STEEL
10	CENTER BUSHING	STAINLESS STEEL
11	ADJUSTMENT SCREW O-RING	BUNA N
12	CENTER BUSHING O-RING	BUNA N
13	WASHER	CARBON STEEL
14	LOCKNUT	CARBON STEEL
15	CLOSED CAP	ALUMINUM ALLOY

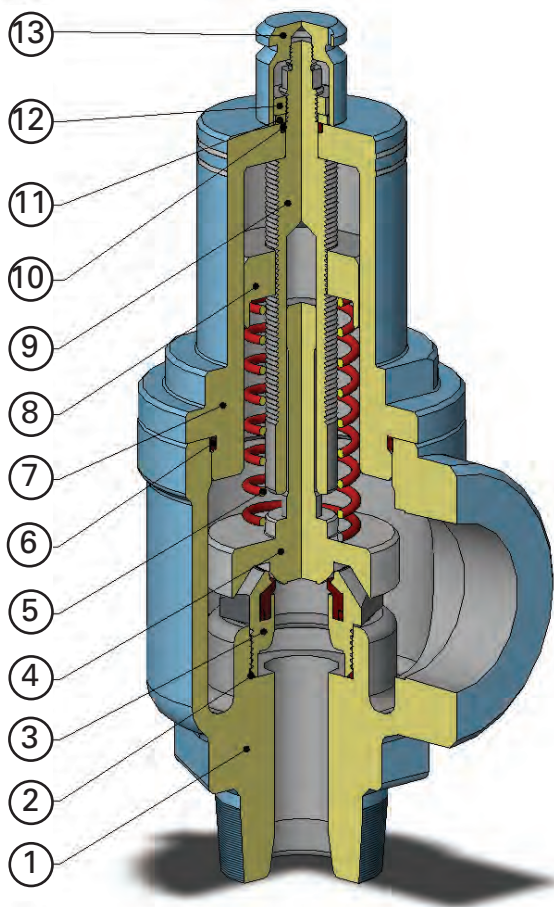
*NOTE: Mercer Valve reserves the right to change product designs and specifications without notice.*



### 9100 SERIES THREADED F & G ORIFICES

ITEM NO	PART NAME	STANDARD MATERIALS
1	INLET BASE	CARBON STEEL
2	BASE SEAL	SOFT STEEL
3	NOZZLE O-RING	VITON
4	NOZZLE SUBASSEMBLY	STAINLESS STEEL WITH SOFT SEAT
5	DISK SUBASSEMBLY	STAINLESS STEEL
6	BODY SUBASSEMBLY	CARBON STEEL
7	SET SPRING	STAINLESS STEEL
8	ADJUSTMENT SCREW	STAINLESS STEEL
9	ADJUSTMENT BUSHING	STAINLESS STEEL
10	CENTER BUSHING	STAINLESS STEEL
11	CENTER BUSHING O-RING	BUNA N
12	CENTERNUT	CARBON STEEL
13	ADJUSTMENT SCREW O-RING	BUNA N
14	LOCKNUT	CARBON STEEL
15	CLOSED CAP	ALUMINUM ALLOY

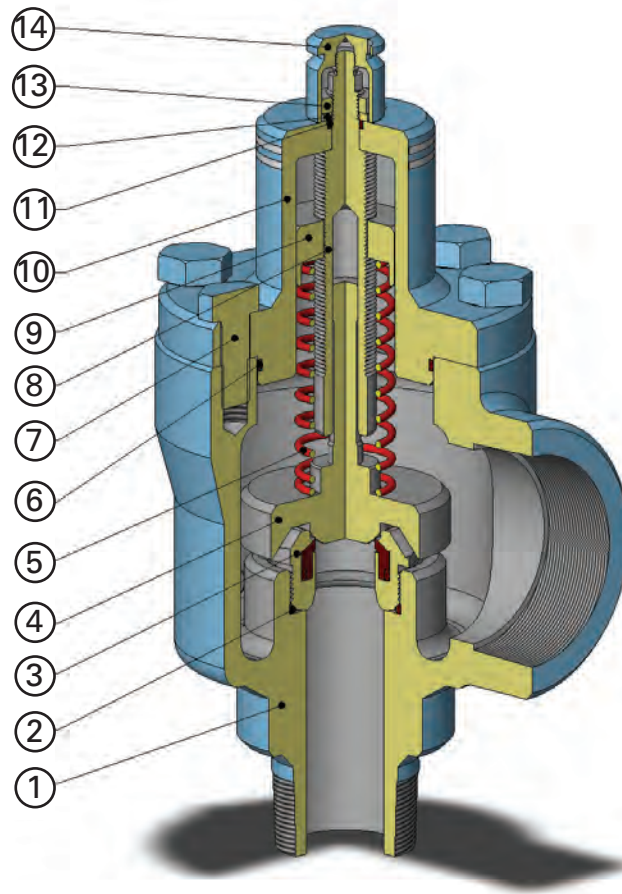
*NOTE: Mercer Valve reserves the right to change product designs and specifications without notice.*



**9100 SERIES THREADED H ORIFICE**

ITEM NO	PART NAME	STANDARD MATERIALS
1	BODY SUBASSEMBLY	CARBON STEEL
2	NOZZLE O-RING	VITON
3	NOZZLE SUBASSEMBLY	STAINLESS STEEL WITH SOFT SEAT
4	DISK SUBASSEMBLY	STAINLESS STEEL
5	SET SPRING	STAINLESS STEEL
6	BONNET O-RING	BUNA N
7	BONNET	CARBON STEEL
8	ADJUSTMENT BUSHING	STAINLESS STEEL
9	ADJUSTMENT SCREW	STAINLESS STEEL
10	ADJUSTMENT SCREW O-RING	BUNA N
11	WASHER	CARBON STEEL
12	LOCKNUT	CARBON STEEL
13	CLOSED CAP	ALUMINUM ALLOY

*NOTE: Mercer Valve reserves the right to change product designs and specifications without notice.*



### 9100 SERIES THREADED J & K ORIFICES

ITEM NO	PART NAME	STANDARD MATERIALS
1	BODY SUBASSEMBLY	CARBON STEEL
2	NOZZLE O-RING	VITON
3	NOZZLE SUBASSEMBLY	STAINLESS STEEL WITH SOFT SEAT
4	DISK SUBASSEMBLY	STAINLESS STEEL
5	SET SPRING	STAINLESS STEEL
6	BONNET O-RING	BUNA N
7	BONNET BOLTS	ALLOY STEEL
8	ADJUSTMENT SCREW	STAINLESS STEEL
9	ADJUSTMENT BUSHING	STAINLESS STEEL
10	BONNET SUBASSEMBLY	CARBON STEEL
11	ADJUSTMENT SCREW O-RING	BUNA N
12	WASHER	CARBON STEEL
13	LOCKNUT	CARBON STEEL
14	CLOSED CAP	ALUMINUM ALLOY

*NOTE: Mercer Valve reserves the right to change product designs and specifications without notice.*



<b>INLET AND OUTLET CODE</b>	<b>INLET AND OUTLET SIZE</b>	<b>ORIFICE AVAILABLE</b>	<b>PRESSURE LIMIT (psi)</b>	<b>DIMENSIONS "A" X "B" X "C" (IN.) + 1/16</b>	<b>APPROX. WEIGHT (lbs.)</b>
05	1/2" FNPT x 1" FNPT	C	15 - 2999	2-1/4 x 1-7/8 x 7-1/16	4.5
06	1/2" MNPT x 1" FNPT	C	15 - 2999	3-1/4 x 1-7/8 x 8	4.5
11	3/4" FNPT x 1" FNPT	C , D	15 - 2999	2-1/4 x 1-7/8 x 7-1/16	4.5
11	3/4" FNPT x 1" FNPT	E	15 - 2400	2-1/4 x 1-7/8 x 7-1/16	4.5
12	3/4" MNPT x 1" FNPT	C , D	15 - 2999	3-1/4 x 1-7/8 x 8	4.5
12	3/4" MNPT x 1" FNPT	E	15 - 2400	3-1/4 x 1-7/8 x 8	4.5
16	1" FNPT x 1" FNPT	C , D	15 - 2999	3-1/4 x 1-7/8 x 8	4.5
16	1" FNPT x 1" FNPT	E	15 - 2400	3-1/4 x 1-7/8 x 8	4.5
17	1" MNPT x 1" FNPT	C , D	15 - 2999	3-1/4 x 1-7/8 x 8	4.5
17	1" MNPT x 1" FNPT	E	15 - 2400	3-1/4 x 1-7/8 x 8	4.5
22	1" FNPT x 1 1/2" FNPT	C , D	15 - 2999	3-3/8 x 2-3/8 x 9	10.5
22	1" FNPT x 1 1/2" FNPT	E	15 - 2400	3-3/8 x 2-3/8 x 9	10.5
23	1" MNPT x 1 1/2" FNPT	C , D	15 - 2999	4-1/2 x 2-3/8 x 9-5/8	11
23	1" MNPT x 1 1/2" FNPT	E	15 - 2400	4-1/2 x 2-3/8 x 9-5/8	11
27	1" FNPT x 2" FNPT	C , D	15 - 2999	3-3/8 x 2-3/8 x 9	10.5
27	1" FNPT x 2" FNPT	E	15 - 2400	3-3/8 x 2-3/8 x 9	10.5
28	1" MNPT x 2" FNPT	C , D	15 - 2999	4-1/2 x 2-3/8 x 9-5/8	11
28	1" MNPT x 2" FNPT	E	15 - 2400	4-1/2 x 2-3/8 x 9-5/8	11
33	1 1/2" FNPT x 2" FNPT	F	15 - 2400	4-5/8 x 2-3/8 x 10-5/16	11.5
33	1 1/2" FNPT x 2" FNPT	G	15 - 2000	4-5/8 x 2-3/8 x 10-5/16	11.5
34	1 1/2" MNPT x 2" FNPT	F	15 - 2400	4-7/16 x 2-3/8 x 10-1/16	11
34	1 1/2" MNPT x 2" FNPT	G	15 - 2000	4-7/16 x 2-3/8 x 10-1/16	11
33	1 1/2" FNPT x 2" FNPT	H	15 - 850	3 x 3 x 10-3/4	22
34	1 1/2" MNPT x 2" FNPT	H	15 - 850	4-1/4 x 3 x 12	22.5
42	2" FNPT x 2" FNPT	F	15 - 2400	4-5/8 x 2-3/8 x 10-5/16	12
42	2" FNPT x 2" FNPT	G	15 - 2000	4-5/8 x 2-3/8 x 10-5/16	12
43	2" MNPT x 2" FNPT	F	15 - 2400	4-7/16 x 2-3/8 x 10-1/16	12
43	2" MNPT x 2" FNPT	G	15 - 2000	4-7/16 x 2-3/8 x 10-1/16	12
42	2" FNPT x 2" FNPT	H	15 - 850	3 x 3 x 10-3/4	22
43	2" MNPT x 2" FNPT	H	15 - 850	4-1/4 x 3 x 12	23
46	2" FNPT x 2 1/2" FNPT	H	15 - 850	3 x 3 x 10-3/4	22
46	2" FNPT x 2 1/2" FNPT	H	851 - 2000	3 x 3 x 13-1/8	28
47	2" MNPT x 2 1/2" FNPT	H	15 - 850	4-1/4 x 3 x 12	23
47	2" MNPT x 2 1/2" FNPT	H	851 - 2000	4-1/4 x 3 x 14-1/2	29

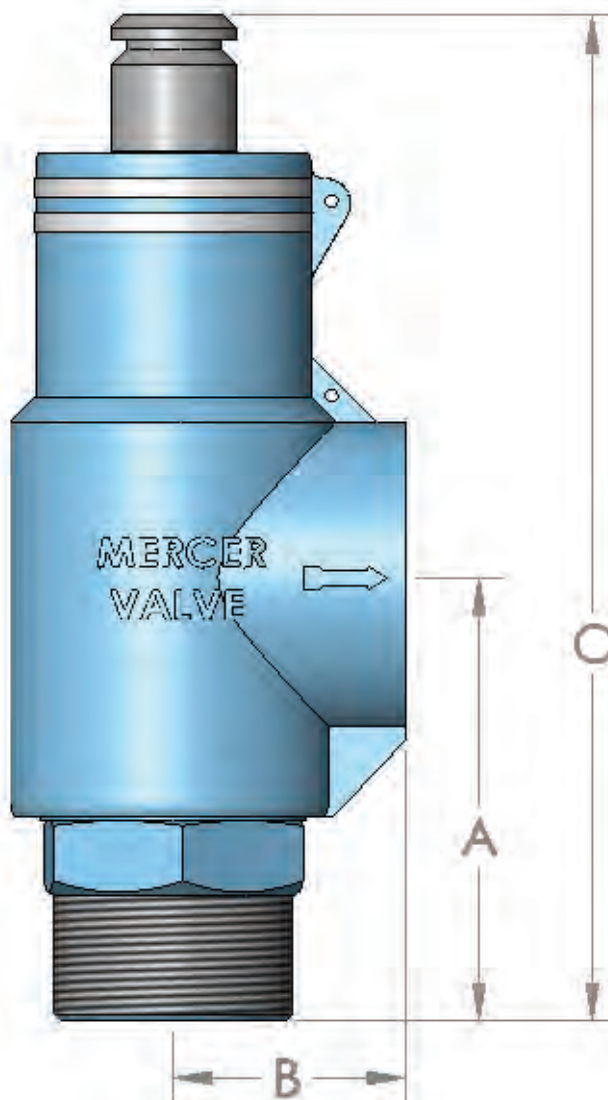




**9100 SERIES THREADED SAFETY RELIEF VALVES**

INLET AND OUTLET CODE	INLET AND OUTLET SIZE	ORIFICE AVAILABLE	PRESSURE LIMIT (psi)	DIMENSIONS "A" X "B" X "C" (IN.) + 1/16	APPROX. WEIGHT (lbs.)
51	2" FNPT x 3" FNPT	J	15 – 450	3-3/4 x 4-1/4 x 11-3/4	41
51	2" FNPT x 3" FNPT	J	451 – 800	3-3/4 x 4-1/4 x 15-5/16	52
52	2" MNPT x 3" FNPT	J	15 – 450	5-1/2 x 4-1/4 x 13-3/8	42
52	2" MNPT x 3" FNPT	J	451 – 800	5-1/2 x 4-1/4 x 17-1/16	53
61	3" MNPT x 3" FNPT	J	15 – 450	5-1/2 x 4-1/4 x 13-1/2	44
61	3" MNPT x 3" FNPT	J	451 – 800	5-1/2 x 4-1/4 x 17-1/4	55
61	3" MNPT x 3" FNPT	K	15 – 285	5-1/2 x 4-1/4 x 13-1/2	46
61	3" MNPT x 3" FNPT	K	286 - 750	5-1/2 x 4-1/4 x 17-1/4	57

**NOTE: Mercer Valve reserves the right to change product designs and specifications without notice.**





**CAPACITY IN SCFM OF AIR AT 60°F AND STD ATMOSPHERIC CONDITIONS**

<b>Set Pressure (psi)</b>	<b>C 0.062</b>	<b>D 0.122</b>	<b>E 0.212</b>	<b>F 0.337</b>	<b>G 0.472</b>	<b>H 0.865</b>	<b>J 1.43</b>	<b>K 2.074</b>
<b>15</b>	30	60	104	165	231	424	701	1017
<b>20</b>	35	69	120	191	267	489	808	1172
<b>25</b>	40	78	136	216	302	554	916	1328
<b>30</b>	44	87	152	241	338	619	1023	1483
<b>50</b>	65	128	222	352	493	904	1495	2168
<b>75</b>	90	178	309	491	688	1261	2084	3023
<b>100</b>	116	228	396	630	883	1617	2674	3878
<b>125</b>	141	278	484	769	1077	1974	3264	4733
<b>150</b>	167	329	571	908	1272	2331	3853	5589
<b>200</b>	218	429	746	1186	1661	3044	5033	7299
<b>300</b>	320	631	1096	1742	2440	4471	7391	10720
<b>400</b>	423	832	1445	2298	3218	5898	9750	14141
<b>500</b>	525	1033	1795	2854	3997	7324	12109	17562
<b>600</b>	627	1234	2145	3409	4775	8751	14467	20983
<b>700</b>	730	1435	2494	3965	5554	10178	16826	24403
<b>800</b>	832	1637	2844	4521	6332	11605	19185	
<b>900</b>	934	1838	3194	5077	7111	13031		
<b>1000</b>	1036	2039	3544	5633	7889	14458		
<b>1100</b>	1139	2240	3893	6189	8668	15885		
<b>1250</b>	1292	2542	4418	7022	9836	18025		
<b>1500</b>	1548	3045	5292	8412	11782	21592		
<b>2000</b>	2059	4051	7040	11191	15675	28726		
<b>2400</b>	2468	4856	8439	13415				
<b>2600</b>	2673	5259						
<b>2800</b>	2877	5661						
<b>2999</b>	3081	6062						



**9100 SERIES THREADED SAFETY RELIEF VALVES**

**CAPACITY IN SCFM OF 0.6 SG NATURAL GAS AT 60°F AND STD ATMOSPHERIC CONDITIONS**

<b>Set Pressure (psi)</b>	<b>C 0.062</b>	<b>D 0.122</b>	<b>E 0.212</b>	<b>F 0.337</b>	<b>G 0.472</b>	<b>H 0.865</b>	<b>J 1.43</b>	<b>K 2.074</b>
<b>15</b>	38	75	130	206	289	529	875	1269
<b>20</b>	44	86	150	238	333	610	1008	1463
<b>25</b>	50	97	169	269	377	691	1142	1657
<b>30</b>	55	109	189	301	421	772	1276	1851
<b>50</b>	81	159	276	439	615	1128	1864	2704
<b>75</b>	113	222	385	613	858	1573	2600	3771
<b>100</b>	145	285	495	786	1101	2018	3336	4838
<b>125</b>	177	347	604	959	1344	2463	4071	5905
<b>150</b>	208	410	713	1133	1587	2908	4807	6972
<b>200</b>	272	536	931	1480	2072	3798	6278	9105
<b>300</b>	400	787	1367	2173	3043	5577	9220	13373
<b>400</b>	527	1038	1803	2866	4015	7357	12163	17640
<b>500</b>	655	1289	2239	3560	4986	9137	15105	21908
<b>600</b>	782	1540	2676	4253	5957	10917	18048	26175
<b>700</b>	910	1791	3112	4947	6928	12697	20990	30443
<b>800</b>	1038	2042	3548	5640	7899	14477	23932	
<b>900</b>	1165	2293	3984	6333	8871	16256		
<b>1000</b>	1293	2544	4420	7027	9842	18036		
<b>1100</b>	1420	2795	4857	7720	10813	19816		
<b>1250</b>	1612	3171	5511	8760	12270	22486		
<b>1500</b>	1931	3799	6602	10494	14698	26935		
<b>2000</b>	2568	5054	8783	13961	19554	35835		
<b>2400</b>	3079	6058	10527	16735				
<b>2600</b>	3334	6560						
<b>2800</b>	3589	7062						
<b>2999</b>	3843	7562						



**CAPACITY IN MMSCFD OF 0.6 SG NATURAL GAS AT 60°F AND STD ATMOSPHERIC CONDITIONS**

<b>Set Pressure (psi)</b>	<b>C 0.062</b>	<b>D 0.122</b>	<b>E 0.212</b>	<b>F 0.337</b>	<b>G 0.472</b>	<b>H 0.865</b>	<b>J 1.43</b>	<b>K 2.074</b>
<b>15</b>	0.05	0.11	0.19	.030	0.42	0.76	1.26	1.83
<b>20</b>	0.06	0.12	0.22	0.34	0.48	0.88	1.45	2.11
<b>25</b>	0.07	0.14	0.24	0.39	0.54	0.99	1.64	2.39
<b>30</b>	0.08	0.16	0.27	0.43	0.61	1.11	1.84	2.66
<b>50</b>	0.12	0.23	0.40	0.63	0.89	1.62	2.68	3.89
<b>75</b>	0.16	0.32	0.56	0.88	1.24	2.26	3.74	5.43
<b>100</b>	0.21	0.41	0.71	1.13	1.59	2.91	4.80	6.97
<b>125</b>	0.25	0.50	0.87	1.38	1.94	3.55	5.86	8.50
<b>150</b>	0.30	0.59	1.03	1.63	2.28	4.19	6.92	10.04
<b>200</b>	0.39	0.77	1.34	2.13	2.98	5.47	9.04	13.11
<b>300</b>	0.58	1.13	1.97	3.13	4.38	8.03	13.28	19.26
<b>400</b>	0.76	1.49	2.60	4.13	5.78	10.59	17.51	25.40
<b>500</b>	0.94	1.86	3.22	5.13	7.18	13.16	21.75	31.55
<b>600</b>	1.13	2.22	3.85	6.12	8.58	15.72	25.99	37.69
<b>700</b>	1.31	2.58	4.48	7.12	9.98	18.28	30.23	43.84
<b>800</b>	1.49	2.94	5.11	8.12	11.38	20.85	34.46	
<b>900</b>	1.68	3.30	5.74	9.12	12.77	23.41		
<b>1000</b>	1.86	3.66	6.37	10.12	14.17	25.97		
<b>1100</b>	2.05	4.02	6.99	11.12	15.57	28.54		
<b>1250</b>	2.32	4.57	7.94	12.62	17.67	32.38		
<b>1500</b>	2.78	5.47	9.51	15.11	21.17	38.79		
<b>2000</b>	3.70	7.28	12.65	20.10	28.16	51.60		
<b>2400</b>	4.43	8.72	15.16	24.10				
<b>2600</b>	4.80	9.45						
<b>2800</b>	5.17	10.17						
<b>2999</b>	5.53	10.89						



**9100 SERIES THREADED SAFETY RELIEF VALVES**

**CAPACITY IN GPM WATER AT 60°F AND STD ATMOSPHERIC CONDITIONS**

<b>Set Pressure (psi)</b>	<b>C 0.062</b>	<b>D 0.122</b>	<b>E 0.212</b>	<b>F 0.337</b>	<b>G 0.472</b>	<b>H 0.865</b>	<b>J 1.43</b>	<b>K 2.074</b>
<b>15</b>	7	14	24	38	54	99	163	236
<b>20</b>	8	16	27	43	61	111	184	267
<b>25</b>	9	17	30	48	67	123	203	295
<b>30</b>	10	19	33	52	73	133	221	320
<b>50</b>	12	24	42	67	94	172	285	413
<b>75</b>	15	30	52	82	115	211	349	506
<b>100</b>	17	34	60	95	133	244	403	584
<b>125</b>	20	38	67	106	149	272	450	653
<b>150</b>	21	42	73	116	163	299	493	716
<b>200</b>	25	49	84	134	188	345	570	826
<b>300</b>	30	60	103	164	230	422	698	1012
<b>400</b>	35	69	119	190	266	487	806	1169
<b>500</b>	39	77	134	212	297	545	901	1307
<b>600</b>	43	84	146	233	326	597	987	1431
<b>700</b>	46	91	158	251	352	645	1066	1546
<b>800</b>	49	97	169	269	376	689	1140	
<b>900</b>	52	103	179	285	399	731		
<b>1000</b>	55	109	189	300	421	771		
<b>1100</b>	58	114	198	315	441	808		
<b>1250</b>	62	122	211	336	470	862		
<b>1500</b>	68	133	231	368	515	944		
<b>2000</b>	78	154	267	425	595	1090		
<b>2400</b>	86	168	293	465				
<b>2600</b>	89	175						
<b>2800</b>	92	182						
<b>2999</b>	96	188						



## 9100 Series Threaded Product Numbering System

**91 - 17 D 5 1**

**VALVE SERIES**

91 – 9100 Series

**INLET & OUTLET COMBINATION**

(See Selection Table on pages 8 & 9)

**ORIFICE SIZE**

C to K

**INLET BASE & BODY MATERIAL**

**5** – CARBON STEEL/WCB  
CARBON STEEL

**6** – 316 STNLS STL/WCB  
CARBON STEEL

**7** – 316 STNLS STL/CF3M  
STAINLESS STEEL

**CAP TYPE**

**1** – CLOSED CAP

**2** – OPEN LIFT LEVER

**3** – CLOSED LIFT LEVER

**4** – CLOSED CAP W/STAINLESS STEEL BONNET (H - K ORIFICE)

**5** – OPEN LIFT LEVER W/STAINLESS STEEL BONNET (H - K ORIFICE)

**6** – CLOSED LIFT LEVER W/STAINLESS STEEL BONNET (H - K ORIFICE)

CONSULT FACTORY FOR  
ADDITIONAL INFORMATION  
AND OPTIONS

**NOTE: Mercer Valve reserves the right to change product designs and specifications without notice.**



**2 - DIGIT "SPECIAL" CODE**  
(IF APPLICABLE ASSIGNED BY MERCER)

**O-RING MATERIAL**

**1** - STANDARD O-RINGS  
(VITON & BUNA-N)

**TRIM CODES**

**U** - 316 S.S. DISK & NOZZLE (STD GAS SERVICE F,G,H,J,&K ORIFICES)\*

**I** - 17-4 S.S. DISK & NOZZLE (STD GAS SERVICE D&E ORIFICES)

**C** - 440C S.S. DISK, 17-4 S.S. NOZZLE (STD GAS SERVICE C ORIFICE AND HIGH PRESSURE F,G,H,)\*

**L** - LIQUID SERVICE 316 S.S. DISK & NOZZLE

**N** - SOUR GAS SERVICE 316 S.S. DISK & NOZZLE

**B** - SOUR LIQUID SERVICE 316 S.S. DISK & NOZZLE

**SPRING CODE**  
(ASSIGNED BY MERCER)

**SEAT MATERIAL**

**V** - VITON 90 DURO

**T** - 15% GLASS FILLED TEFLON

**P** - VIRGIN PEEK

\* = U TRIM CODE CHANGES TO C TRIM CODE AT  
F > 1399psi, G > 1199psi, H > 1049psi



## **9100 SERIES CATALOG**

### **CORPORATE HEADQUARTERS**

9609 NW 4th STREET  
OKLAHOMA CITY, OK 73127  
1-800-833-6402  
PHONE: (405) 495-6533, FAX: (405) 495-8728  
[SALES@MERCERVALVE.NET](mailto:SALES@MERCERVALVE.NET)

### **HOUSTON BRANCH OFFICE**

6218 LONG DRIVE  
HOUSTON, TX 77087  
1-866-833-6402  
PHONE: (713) 242-6960, FAX: (713) 242-6963  
[HOUSTON@MERCERVALVE.NET](mailto:HOUSTON@MERCERVALVE.NET)

### **CALGARY BRANCH OFFICE**

#203, 2835 23rd St. NE  
CALGARY, ALBERTA T2E 7A4  
PHONE: (403) 250-5557, FAX: (403) 250-5661  
[CANADA@MERCERVALVE.NET](mailto:CANADA@MERCERVALVE.NET)

### **BRIDGEPORT, TX BRANCH OFFICE**

5758 US Highway 380  
BRIDGEPORT, TX 76426-6421  
1-866-683-9002  
PHONE: (940) 683-9002, FAX: (940) 683-9004  
[BRIDGEPORT@MERCERVALVE.NET](mailto:BRIDGEPORT@MERCERVALVE.NET)

### **CHICAGO BRANCH OFFICE CUSTOMER RELATIONS DEPARTMENT**

P.O. Box 597  
Libertyville, IL 60048  
1-800-833-6402  
[CHICAGO@MERCERVALVE.NET](mailto:CHICAGO@MERCERVALVE.NET)

**[WWW.MERCERVALVE.NET](http://WWW.MERCERVALVE.NET)**