



# Type 1530 Pneumatic Level Switch

Form 500

**Type 1530** is a horizontally mounted, float-operated level switch suitable for plant and OEM applications where pneumatic valve operation is required to signal presence or absence of liquid at a discrete level. The float extension arm moves a magnet which actuates (deactuates) a pilot valve to operate a pneumatic amplifier. Actuation (deactuation) can be reversed by rotating the unit 180 degrees.



## Product Specifications

### Mounting

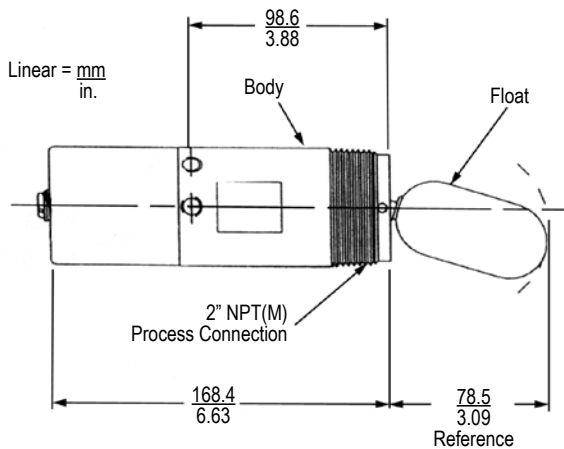
Orientation	Horizontal mount only	
Connection Size	2" NPT(M) Standard	
<b>For</b>	<b>Change</b>	<b>To</b>
Flange Mounting	G2A	*

\*See flange table on page 2 for option designator

Maximum Process Pressure	1500 psi (103 bar)
Supply Pressure Range	20 to 60 psi (1.4 to 4.1 bar)
Supply Pressure Connection Size	1/8" NPT(F)
Minimum Specific Gravity	0.60
Design Code	ANSI B31.3
Shipping Weight	Approximately 6 lbs. (3 kg)

*Design and specifications are subject to change without notice. For latest revision, see [www.sorinc.com](http://www.sorinc.com).*

If supply pressure medium is natural gas, a filter/regulator is suggested on the supply line, and the valve vent port should be piped to a safe area.



## How to Order

Select model number from table below. Accessory designator(s) may be added after PS if required. See page 2.

Body Material	Float Material	Process Rating		Model Number
303SS* (Standard)	316SS	1500 psi -40 to 400°F	100 BAR	1530B -G2A - C - J0 - PS
	Monel	900 psi -40 to 400°F	62 BAR	1530B -G2A - M - J0 - PS
	Polypropylene	5000 psi -40 to 150°F	345 BAR	1530B -G2A - S - J0 - PS
316SS	316SS	1500 psi -40 to 400°F	100 BAR	1530C -G2A - C - J0 - PS
	Monel	900 psi -40 to 400°F	62 BAR	1530C -G2A - M - J0 - PS
	316SS	5000 psi -40 to 150°F	345 BAR	1530C -G2A - S - J0 - PS

Note: Maximum temperature for polypropylene is 150°F.

\*Also known as ASME SA 320 Grade B8F.

316SS construction only.

Designator	Raised Face Flange	
G7C	2-1/2"	150#
G7D		300#
G7E		600#
G3C	3"	150#
G3D		300#
G3E		600#

Designator	Raised Face Flange	
G4C	4"	150#
G4D		300#
G6C	6"	150#
G6D		300#

On flanged units, the float will be detached for the unit during shipping.

### Optional Accessories

Add option designator(s) to end of model number.

Description	Designator
Wetted parts are cleaned for industrial oxygen service.	BB
Canadian Registration Number (CRN) - Maximum allowable pressure rating is 1500 psi. Consult the factory for details.	CV
NACE construction - MR-01-75. Available only with 316SS materials of construction.	NC
Tag, fiber. Attached with plastic wire to housing. Stamped with customer-specified tagging information.	PP
Stainless steel nameplate attached to housing with wire. Stamped with customer-specified tagging information. (2 lines, 18 characters and spaces per line.)	RR
Stainless steel nameplate permanently attached to housing. Stamped with customer-specified tagging information.	TT
Fungicidal varnish. Covers exterior and interior except working parts.	VV
Epoxy coating. Exterior only. Polyamide epoxy with 316SS pigment. (200 hours-salt spray)	YY
ANSI B31.3 certificate of conformance.	CZ

### Replacement Parts

Description	Designator
Pneumatic Relay Assembly	3130 - 114
316SS Float Assembly	3130 - 052

### Limited Warranty

SOR® agrees to repair or replace any switch found to be defective in material or workmanship within five years from date of shipment. The limited warranty is valid only if the switch was installed in accordance with published factory installation instructions, operated within the design limitations stated on the nameplate, and returned to the factory for inspection, freight prepaid, within the warranty period. Contact the factory for return authorization. No claim for labor or consequential damages will be allowed.

