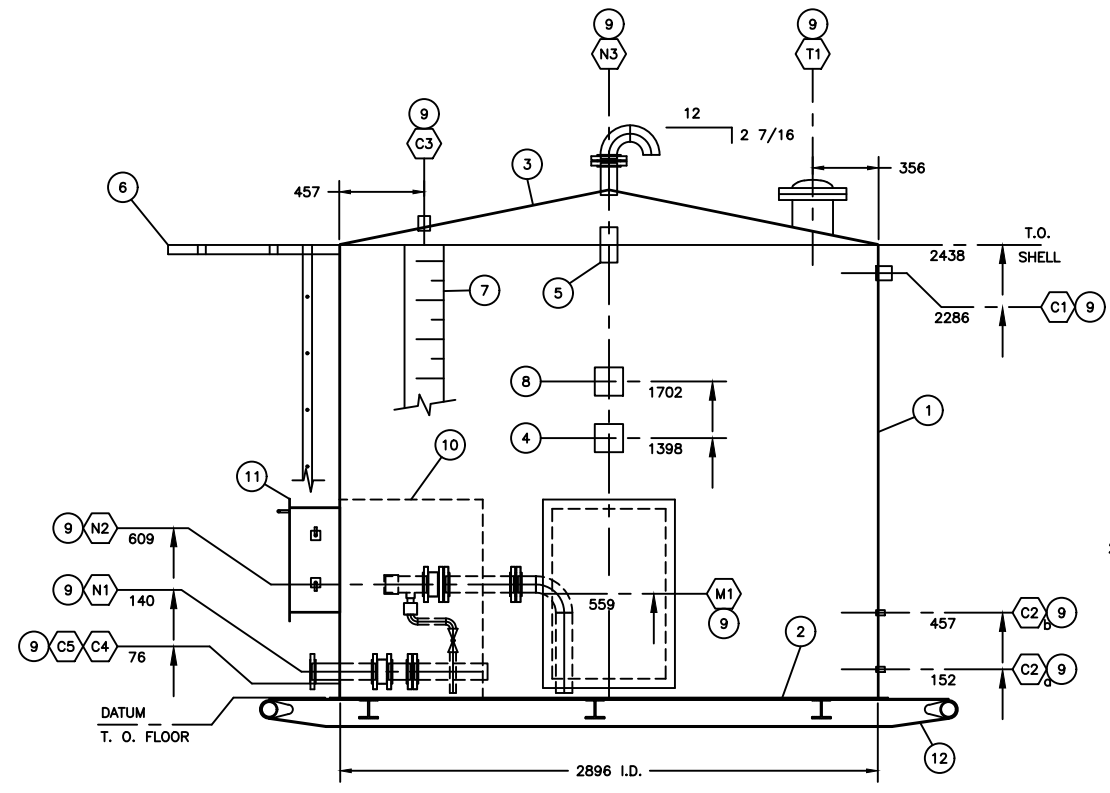
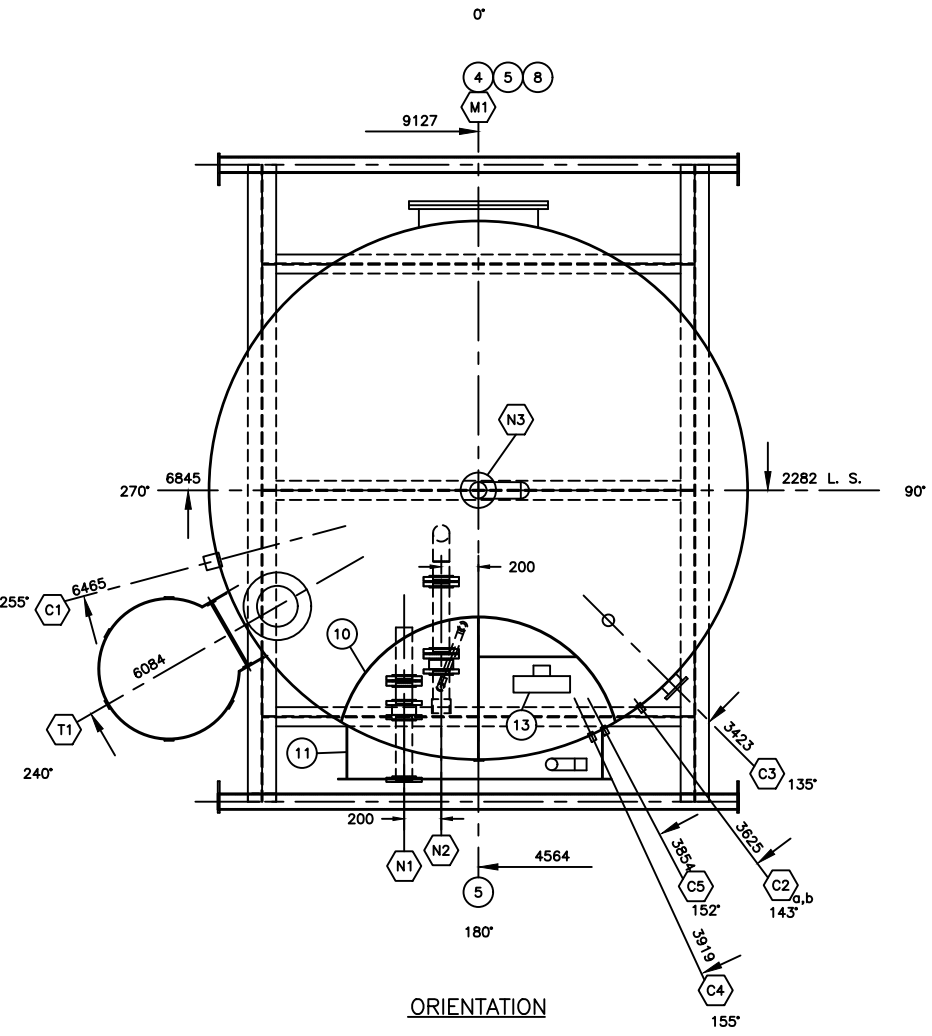


GENERAL NOTES			NOZZLE SCHEDULE										MATERIAL LIST						
DESIGN		PAINTING & INSULATION		MK#	QTY.	SIZE	SCH.	RATE	TYPE	PROJ. INT.	EXT.	REPAD YES	NO	DESCRIPTION	MK#	QTY.	DESCRIPTION	MATERIAL	WT.
DESIGN CODE: API SPEC. 12F, ELEVENTH EDITION, NOV. 1, 1994	ADDITIONAL CODES: API SPRC. 650, NINTH EDITION, MAY 1993	CORROSION ALLOWANCE: NONE		N1	1	89 3"	STD.	ANSI 150#	RFSO	25	1	152	6"	INLET C/W BUTTERFLY VALVE	1	1	SHELL PLATE; 3/16" NOM. THICKNESS x 8'-0" x 29'-10 3/4" LG.	G40.21-44W	-
DESIGN PRESSURE: ATMOSPHERIC	DESIGN VACUUM: ATMOSPHERIC	INTERNAL FINISH: SEE NOTES		N2	1	89 3"	STD.	ANSI 150#	RFSO	25	1	152	6"	TRUCK OUT C/W BUTTERFLY VALVE AND CAMLOCK	2	1	FLOOR SHELL; 1/4" NOM. THICKNESS x 9'-10 3/8" O.D.	G40.21-44W	-
RADIOGRAPHY: NONE	JOINT EFFICIENCY: N/A	EXTERNAL FINISH:		N3	1	89 3"	STD.	ANSI 150#	RFSO	25	1	152	6"	VENT C/W GOOSENECK	3	1	ROOF SHELL; 3/16" NOM. THICKNESS x 9'-8 5/16" O.D.	G40.21-44W	-
IMPACT TESTING: N/A	AIR TEST PRESSURE: 12 oz./sq. in.			C1	1	60 2"	-	304 S.S.	FULL CPLG					HIGH LEVEL SHUT DOWN	4	1	NAMEPLATE C/W BRACKET	-	5
MINIMUM DESIGN METAL TEMPERATURE: -29°C (-20°F)	SERVICE: WATER, OIL, GAS			C2a,b	2	21 1/2"	-	API	FULL CPLG	FLUSH				SITE GLASS (TO MONITOR INTERSTICE)	5	2	LIFTING LUG	G40.21-44W	-
OVERALL HEIGHT: 3240mm (10'-7 3/8")	WEIGHT DRY: OPERATING: DESIGN:	INSULATION: BRUSH BLAST TO SSPC SP7 USING SIL 7		C3	1	48 1 1/2"	-	API	FULL CPLG	FULL				GAUGE BOARD	6	1	STANDARD 8'-0" LADDER	G40.21-44W	-
OVERALL WIDTH: 3745mm (12'-3 5/16")	CAPACITY: 16 cu. m (100 bbl)	C/W 1 1/2" URETHANE FOAM AND BLACK SEALER.		C4	1	13 1/4"	-	API	FULL CPLG	FULL				GAS LINE	7	1	CORLAC STANDARD OPEN GAUGEBOARD	-	-
APPURTENANCE & ATTACHMENT WELD DETAILS				C5	1	27 3/4"	-	API	FULL CPLG	FULL				CABLES	8	1	NAMEPLATE BRACKET; 4" x 6"	-	-
ROOF JOINT	FLOOR JOINT	SHELL TO ROOF	SHELL TO FLOOR	SHELL JOINT - HORIZONTAL	SHELL JOINT - VERTICAL	M1	1	2' x 3'	-	-	FAB'D	51	2"	CLEAN-OUT DOOR	9	1	NOZZLE DETAIL	REF. DWG. NO-MOC-01	-
						T1	1	203 8"	-	-	FAB'D	152	6"	THIEF HATCH	10	1	42" HIGH ENVIROVAULT	REF. DWG. NO-MOC-04	-
															11	1	VAULT DOOR DETAIL	REF. DWG. NO-MOC-05	-
															12	1	11'-6 3/8" lg. x 9'-1 3/4" SKID DETAIL	REF. DWG. NO-MOC-06	-
															13	1	SCOTT-CAN HEATER COMPLETELY INSTALLED WITH ACCESSORIES	REF. DWG. NO-MOC-07	-
															14				
															15				
															16				
															17				
															18				
															19				
															20				




ELEVATION



ORIENTATION

COR#
WO#

- NOTES:
1. NOZZLES AND SKID TO BE BRUSH BLASTED AND PAINTED WITH ONE COAT OF SELF-PRIMING BLACK PAINT.
 2. TANK IS COMPLETE WITH THE MOCOAT INTERNAL FIBERGLASS CONTAINMENT SYSTEM ON THE FLOOR AND SHELL IN ORDER TO:
 - A) MEET AEUB'S GUIDE G-55 FOR SECONDARY CONTAINMENT.
 - B) PROVIDE EXCELLENT CORROSION RESISTANCE, IN LIEU OF INTERNAL COATING.
 - C) PROVIDE SUPERIOR RESISTANCE TO MECHANICAL ABRASION.

A	01/02/13	ISSUED FOR CONSTRUCTION	AJC	A
NO.	DATE	DESCRIPTION	BY	COMP.
REVISIONS				
CUSTOMER				
 COUNTY ENERGY PARK 1000 16 WEST LLOYDMINSTER ALBERTA T4N 1W1 PH: (780) 825-4400 FAX: (780) 825-4300 E-MAIL: info@corlac.com				
MOCOAT SERVICES INC.				
TITLE			FILE	
GENERAL ARRANGEMENT			TANKS\MOCOAT\100BBL\010213MOC	
100 bbl ENVIROTANK			DATE	
2896mm (9'-6") I.D. x 2438mm (8'-0") HIGH			01/02/13	
DRAWN			A. CAMPBELL	
CHK'D	APPROVED	SCALE	DRAWING NO.	REV
		NTS	010213-MOC-01 SH. 1 OF 1	A