

D-2901
FLARE KNOCK OUT TANK
 2438mm OD x 6096mm S/S x
 345 KPaG x -40/92 °C, 1/8" C.A.
 D.P. (COIL): 1792 KPaG @ 93 °C
 C.A. (COIL): 3.0 mm
 NON-REGISTERED

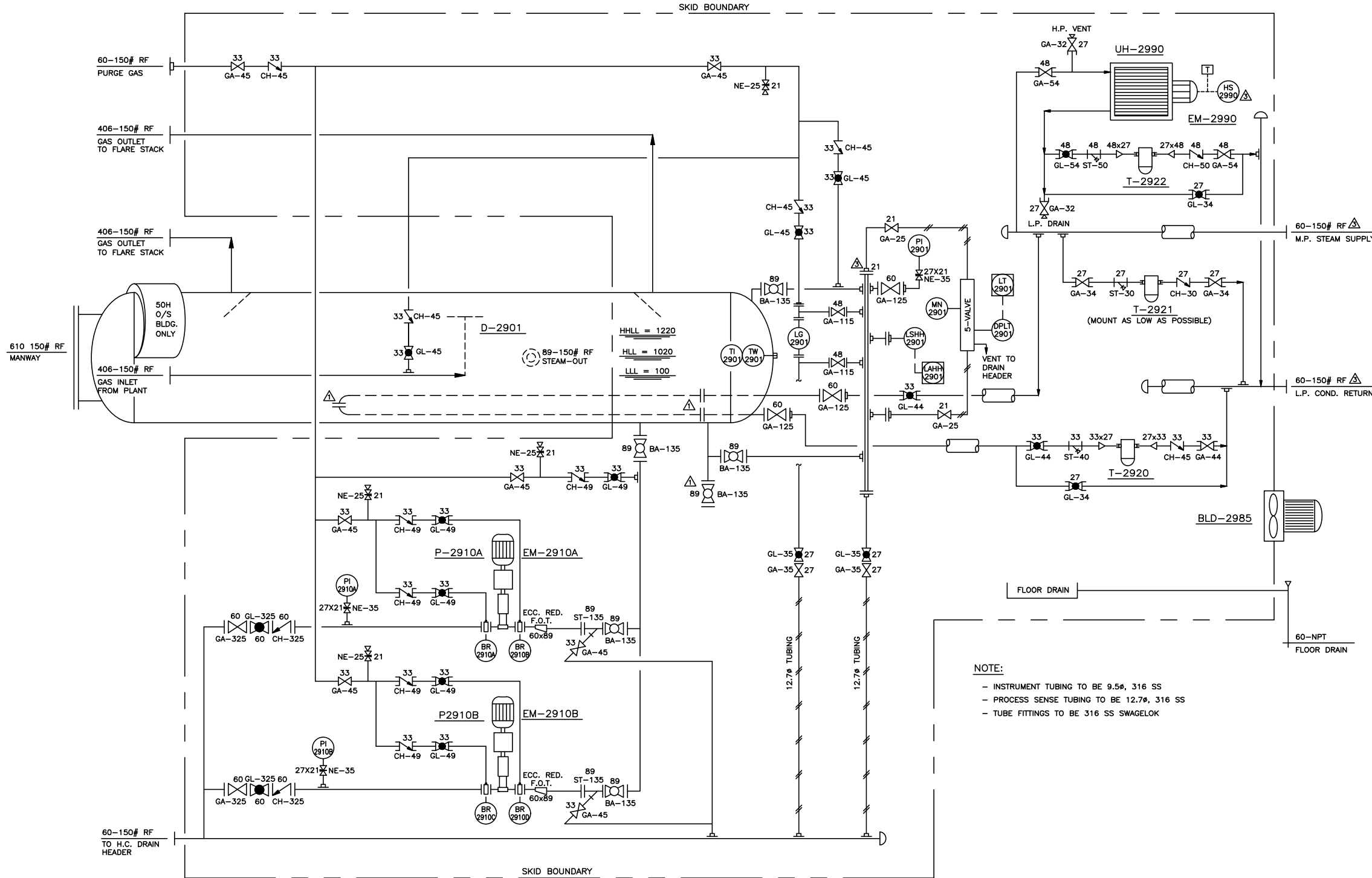
P-2910A/B
TRANSFER PUMPS
 TWO(2) GRUNDFOS MULTISTAGE CENTRIFUGAL PUMP,
 MODEL CRN8-50G, 25 USGPM @ 70 PSIG
 (243 ft DIFFERENTIAL)
 60-300 ANSI RF SUCTION/DISCHARGE
EM-2910A/B
TRANSFER PUMP MOTORS
 MOTOR: 5.0 HP, 575V/3PH/60HZ
 EXPLOSION-PROOF, 3450 RPM

T-2920/2921/2922
STEAM TRAP
 ARMSTRONG MODEL 2011 3/4" 400# S.S.
 INVERTED BUCKET TRAP WITH SOCKET WELD
 UNIVERSAL CONNECTOR

UH-2990
BUILDING HEATER
 RUFFNECK AH-12A-A1A1-A1-2A FINTUBE
 HEAT EXCHANGER c/w 115V/1PH/60HZ
 EXPLOSION PROOF MOTOR c/w
 XT-311 X.P. THERMOSTAT
EM-2990
BUILDING HEATER MOTOR
 1/4 H.P. 115V/1PH/60HZ
 X.P. ELECTRIC MOTOR

BLD-2985
BUILDING EXHAUST FAN
 12 ACPH, 1/4 H.P. 575V/3PH/60 HZ
 X.P. ELECTRIC MOTOR

TAG #'s	QTY	DESCRIPTION
BR-2910A/B BR-2910C/D	4	Bleed Rings 2" 300# rf x 1" npt connection
DPLT 2901	1	Honeywell 100 model Differential Pressure Transmitter STD125 E1H-00000-S2, MB,CR,2JF7, 0-25" WC, 0-600" WC, 420 mA output, Nace
LG 2901	1	Penberthy 3RM9-Nace reflex level gauge, 40 7/8" visible length, c/w 3/4" NPT 330J-NQ Nace gauge valves
LSHH 2901	1	Murphy L1200 electric level switch, 2" NPT, Nace, 24 VDC
MN 2901	1	5-valve manifold, Century CM5-2-F44T-AB-A/V, C.S., Nace
PI 2901	1	0-100 psi, 4" face, dual scale, S.S., L.F., 1/2" L.M., Wika 233.54, Nace
PI 2910 A/B	2	0-300 psi, 4" face, dual scale, S.S., L.F., 1/2" L.M., Wika 233.54, Nace
TI 2901	1	0 to 250° F, dual scale, 1/2" NPT C.B.M., bimetallic, 5" dial, 12" stem, Trend 50120
TW 2901	1	1/2" x 3/4" x 12" lg 316 SS thermowell
BA 135	6	3" 150# RF reg. port ball valve, Nutron T3-R30R01-S, Nace
CH 325	2	2" 300# RF swing check valve, FP Wheatley 910-025072-822, Nace
CH 50	1	1 1/2" NPT piston check valve, OMB 845N, Class 800#, A 105 body, 13% Cr trim
CH 49	5	1" SW piston check valve, OMB 845N, Nace, Class 800#, A 105 body, 13% Cr trim
CH 45	5	1" NPT piston check valve, Navco C-P-R10S08A12, Nace, Class 800#, A 105 body, 13% Cr trim
CH 30	1	3/4" NPT piston check valve, OMB 844, Class 800#, A 105 body, 13% Cr trim
GA 325	2	2" 300# RF Gate valve, Newco 13F-LF24/3, Nace
GA 125	3	2" 150# RF Gate valve, Newco 11F-LF24/3, Nace
GA 115	2	1 1/2" 150# RF gate valve, Newco 11F-LF24/3, Nace
GA 54	2	1 1/2" SW gate valve, Newco 18S-FS2, Class 800#, A 105 body, 13% Cr trim
GA 45	7	1" NPT gate valve, Newco 18T-FS4/3, Nace
GA 44	1	1" SW gate valve, Newco 18S-FS2, Class 800#, A 105 body, 13% Cr trim
GA 35	2	3/4" NPT gate valve, Newco 18T-FS4/3, Nace
GA 34	2	3/4" SW gate valve, Newco 18S-FS2, A 105 body, 13% Cr trim
GA 32	2	3/4" SW x NPT gate valve, Newco 18X-FS2, A 105 body, 13% Cr trim
GA 25	2	1/2" NPT gate valve, Newco 18T-FS4/3, Nace
GL 325	2	2" 300# RF globe valve, Newco 23F-LF24/3, Nace
GL 54	1	1 1/2" SW globe valve, Newco 28S-FS2, Class 800#
GL 49	5	1" SW globe valve, Newco 28S-FS-4/3, Class 800#, Nace
GL 45	3	1" NPT globe valve, OMB 835N, Class 800#, Nace
GL 44	2	1" SW globe valve, Newco 28S-FS2, Class 800#
GL 35	2	3/4" npt globe valve, Newco 28T-FS4/3, Class 800#, Nace
GL 34	2	3/4" SW globe valve, Newco 28S-FS2, Class 800#
NE 35	3	3/4" x 1/2" NPT needle valve, Century CM26R-1-M64-A-A, C.S., Nace
NE 25	4	1/2" NPT needle valve, Century CM2-2-F44T-B-A, C.S., Nace
ST 135	2	3" 150# RF Y-strainer, Alberta Strainer, YF-150, Nace
ST 50	1	1 1/2" NPT Y-strainer, Alberta Strainer, YS-600, Nace
ST 40	1	1" NPT Y-strainer, Alberta Strainer, YS-800, Nace
ST 30	1	3/4" NPT Y-strainer, Alberta Strainer, YS-800, Nace
UH 2990	1	Ruffneck AH-12A-A1A1-A1-2A fintube heat exchanger, c/w 115 V 1 ph 60 hz explosion proof motor c/w XT-311 X.P. thermostat
P 2910 A/B	2	Grundfos multistage centrifugal pump, model CRN8-50G, 25 usgpm @ 70 psig (243 ft differential) c/w 5.0 hp, 3450 rpm, 60- 300 ansi rf suction/discharge
T-2920/ 2921/2922	3	Armstrong Model 2011 3/4" 400# stainless steel inverted bucket trap with socket weld universal connector



(1) REQ'D
 TIME CARD
 C-2143-PP

DWG. NO.	REFERENCE DRAWINGS	REV	DESCRIPTION	DATE	BY
		Δ	ADDED BREAK FLANGES TO HEATING COIL. ADDED ONE (1) 3" BALL VALVE. REVISED AS NOTED.	12/22/03	Y.P.
		Δ	REVISED AS PER CUSTOMER'S MARK-UP	01/12/04	Y.P.
		Δ	REVISED AS PER CUSTOMER'S MARK-UP	01/27/04	Y.P.
		Δ	REVISED AS PER BUILT	02/12/04	Y.P.



CUSTOMER: MAZEPPA PROCESSING PARTNERSHIP		LOCATION: SE 1/4-35-19-28 W4M	
c/o GAS LIQUIDS ENGINEERING LTD.			
MECHANICAL FLOW DIAGRAM			
2438 OD FLARE KNOCK-OUT SKID PACKAGE (SOUR)			
DATE: 12/12/03	DRN BY: J.J.	SCALE: 1"=1'-0"	CHKD BY: APPRD BY: DWG NO: C-2143-B REV: 4