

LEGEND		
MK	SIZE & TYPE	SERVICE
A	4\"/>	

- NOTES:**
- ALL 1\"/>

MBD-050
HORIZONTAL THREE-PHASE BUCKET & WEIR ALLOCATION SEPARATOR

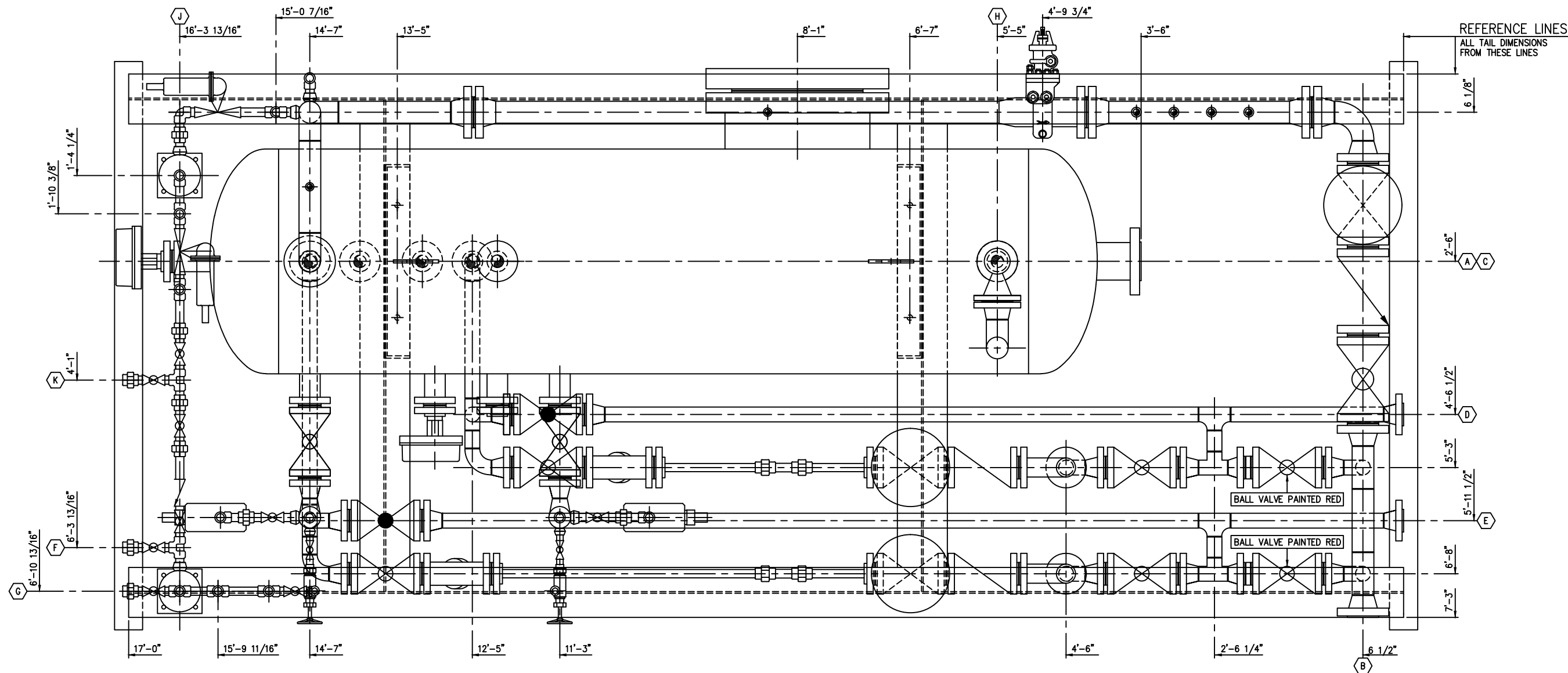
SIZE: 36\"/>

THIS DRAWING IS THE PROPERTY OF EXTERRAN AND IS NOT TO BE USED FOR ANY PURPOSE OTHER THAN THAT FOR WHICH IT IS SPECIFICALLY FURNISHED.



CUSTOMER MURPHY EXPLORATION & PRODUCTION CO.			
TITLE P&ID FOR 36\"/>			
DRAWN JR	DATE 05-08-14	UNIT NO.	REVISION 1
APPROVED		SCALE	NO. REQ'D.
1	ADDED WAFER CHECKS AND GAS BLOWDOWN	10/31/14	RN
NO	REVISION	DATE	BY
			CK
W.I.P. NO. OS3869978		DRAWING NO. US-73543-01-CLB-02-001 Sht 1of5	

BILL OF MATERIAL					BILL OF MATERIAL				
MK NO	QTY	PART NUMBER	DESCRIPTION	MATERIAL	MK NO	QTY	PART NUMBER	DESCRIPTION	MATERIAL
9	46	BLWF0050CE	WASHER FLAT 1/2" CAD PLATED		1	1	USCL-9812303507-01	36" OD X 10'-0" S/S @ 1440# HORIZ 3 PHASE SEPR	
10	8	BLWL0050CE	WASHER LOCK 1/2" CAD PLATED		2	1	HAW-48640021	SKID 7'-3" X 17'-0" LG FOR SEPARATION UNIT	
11	16	BLWF0037CE	WASHER FLAT 3/8" CAD PLATED		3	4	BLSB0075X0250CJD	CAPSCREW 3/4" X 2 1/2" LG YELLOW ZINC	
12	8	BLUB0100X0037DCE	U-BOLT 3/8" FOR 1" PIPE W/NUTS & LOCK WASHERS		4	4	BLHN0075PA	NUT HEAVY HEX 3/4" CAD PLATED	SA-194-2H
13	6	BLUB0200X0050DCE	U-BOLT 1/2" FOR 2" PIPE W/NUTS & LOCK WASHERS		5	4	BLWF0075CD	WASHER FLAT 3/4" CAD PLATED	
14	5	BLUB0300X0050DCE	U-BOLT 1/2" FOR 3" PIPE W/NUTS & LOCK WASHERS		6	4	BLWL0075CE	WASHER LOCK 3/4" CAD PLATED	
15	7	BLUB0600X0050DCE	U-BOLT 1/2" FOR 6" PIPE W/NUTS & LOCK WASHERS		7	8	BLSB0050X0200CE	CAPSCREW 1/2" X 2" LG YELLOW ZINC	
16	1	BLUB0800X0050DCE	U-BOLT 1/2" FOR 8" PIPE W/NUTS & LOCK WASHERS		8	8	BLHN0050PA	NUT HEAVY HEX 1/2" CAD PLATED	SA-194-2H



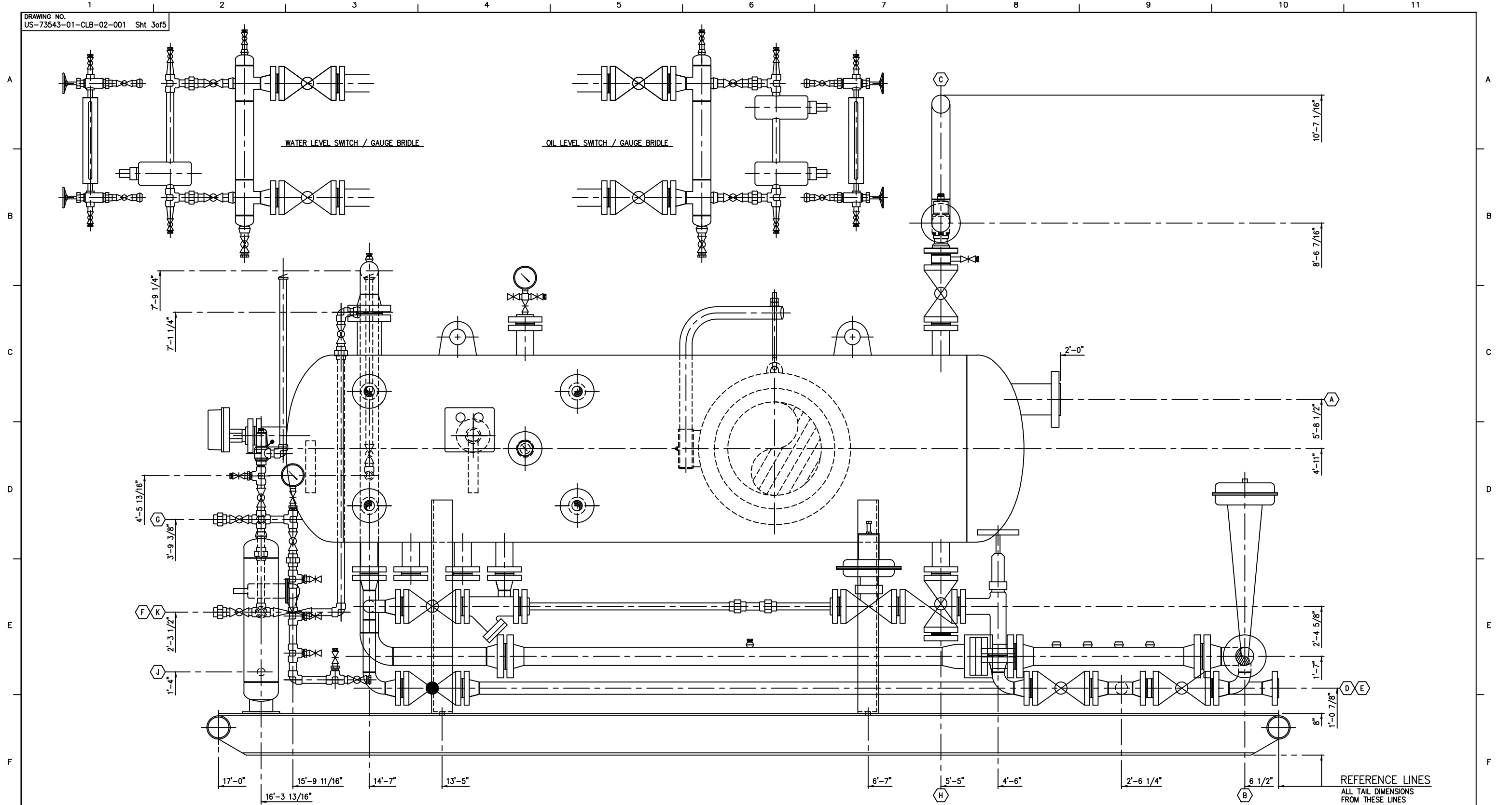
PLAN VIEW

ESTIMATED WEIGHT: 14,000#

A	SEPARATOR INLET 4" 600# RF ELEV. 5'-8 1/2"	F	EXTERNAL INSTRUMENT AIR / SWEET GAS INLET 1" NPT ELEV. 2'-3 1/2"
B	GAS OUTLET / COMMINGLE TO PIPELINE 3" 600# RF ELEV. 1'-7"	G	INSTRUMENT AIR / SWEET GAS OUTLET TO WELLHEAD 1" NPT ELEV. 3'-9 3/8"
C	RELIEF OUTLET 3" NPS ELEV. 10'-7 1/16"	H	VESSEL DRAIN 2" 600# RF
D	OIL OUTLET 2" 600# RF ELEV. 1'-0 7/8"	J	INSTRUMENT SCRUBBER DRAINS 1/2" NPT ELEV. 1'-4"
E	WATER OUTLET 2" 600# RF ELEV. 1'-0 7/8"	K	GAS TO FLARE PILOT / ASSIST & SCRUBBER PUMPS 1" NPT ELEV. 3'-0 7/8"

SKID BEAM DEPTH IS 8"
ALL ELEVATIONS ARE FROM BOTTOM OF SKID

EXTERRAN STANDARD W.P.S.	TOLERANCES CUTS ±1/8" ANGLES ±1/2" WELD ASS'Y. ±1/8"	THIS DRAWING IS THE PROPERTY OF EXTERRAN AND IS NOT TO BE USED FOR ANY PURPOSE OTHER THAN THAT FOR WHICH IT IS SPECIFICALLY FURNISHED.	<p>2207 FM 949 ALLEYTON, TEXAS 78935 979-732-2327 1-10 & FM949</p>
1 gf_1-1_N_a_h 2 mm_1-1_N_a_h 3 ff_1-1_N_a_h 4			
CUSTOMER MURPHY EXPLORATION & PRODUCTION CO.		TITLE ASSY SEPARATION UNIT W/36" OD X 10'-0" @ 1440# HORIZONTAL 3 PHASE SEPARATOR	
DRAWN RON	DATE 05-08-14	UNIT NO.	REVISION 1
APPROVED	SCALE 1 1/2" = 1'-0"	NO. REQ'D.	
1 ADDED WAFER CHECKS AND GAS BLOWDOWN	10/30/14	W.I.P. NO. 3869978	DRAWING NO. US-73543-01-CLB-02-001 Sht 2of5
NO	REVISION	DATE	BY CK



ELEVATION VIEW

SKID BEAM DEPTH IS 8"
ALL ELEVATIONS ARE FROM BOTTOM OF SKID

- | | | | |
|---|--|---|---|
| A | SEPARATOR INLET
4" 600# RF ELEV. 5'-8 1/2" | F | EXTERNAL INSTRUMENT AIR / SWEET GAS INLET
1" NPT ELEV. 2'-3 1/2" |
| B | GAS OUTLET / COMMINGLE TO PIPELINE
3" 600# RF ELEV. 1'-7" | G | INSTRUMENT AIR / SWEET GAS OUTLET TO WELLHEAD
1" NPT ELEV. 3'-9 3/8" |
| C | RELIEF OUTLET
3" NPS ELEV. 10'-7 1/16" | H | VESSEL DRAIN
2" 600# RF |
| D | OIL OUTLET
2" 600# RF ELEV. 1'-0 7/8" | J | INSTRUMENT SCRUBBER DRAINS
1/2" NPT ELEV. 1'-4" |
| E | WATER OUTLET
2" 600# RF ELEV. 1'-0 7/8" | K | GAS TO FLARE PILOT / ASSIST & SCRUBBER PUMPS
1" NPT ELEV. 3'-0 7/8" |

EXTERRAN STANDARD W.P.S.	TOLERANCES CUTS ±1/8" ANGLES ±1/2" WELD ASS'Y. ±1/8"	THIS DRAWING IS THE PROPERTY OF EXTERRAN AND IS NOT TO BE USED FOR ANY PURPOSE OTHER THAN THAT FOR WHICH IT IS SPECIFICALLY FURNISHED.	2207 FM 949 ALLEYTON, TEXAS 78935 979-732-2327 I-10 & FM949
1 of 1-1_N_a_h			CUSTOMER MURPHY EXPLORATION & PRODUCTION CO.
2 mm_1-1_N_a_h			TITLE ASSY SEPARATION UNIT W/36" OD X 10'-0"
3 ff_1-1_N_a_h			1440# HORIZONTAL 3 PHASE SEPARATOR
4			DRAWN RON DATE 05-08-14 UNIT NO. REVISION 1
			APPROVED SCALE 1 1/2" = 1'-0" NO. REQ'D.
			W.I.P. NO. OS3869978 DRAWING NO. US-73543-01-CLB-02-001 Sht 3of5
			1 ADDED WAFER CHECKS AND GAS BLOWDOWN 10/30/14 RN
			NO REVISION DATE BY CK



2207 FM 949
ALLEYTON, TEXAS 78935
979-732-2327
I-10 & FM949

CUSTOMER
MURPHY EXPLORATION & PRODUCTION CO.

TITLE ASSY SEPARATION UNIT W/36" OD X 10'-0"
1440# HORIZONTAL 3 PHASE SEPARATOR

DRAWN RON DATE 05-08-14 UNIT NO. REVISION 1

APPROVED SCALE 1 1/2" = 1'-0" NO. REQ'D.

W.I.P. NO. OS3869978 DRAWING NO. US-73543-01-CLB-02-001 Sht 3of5

1 ADDED WAFER CHECKS AND GAS BLOWDOWN 10/30/14 RN

NO REVISION DATE BY CK