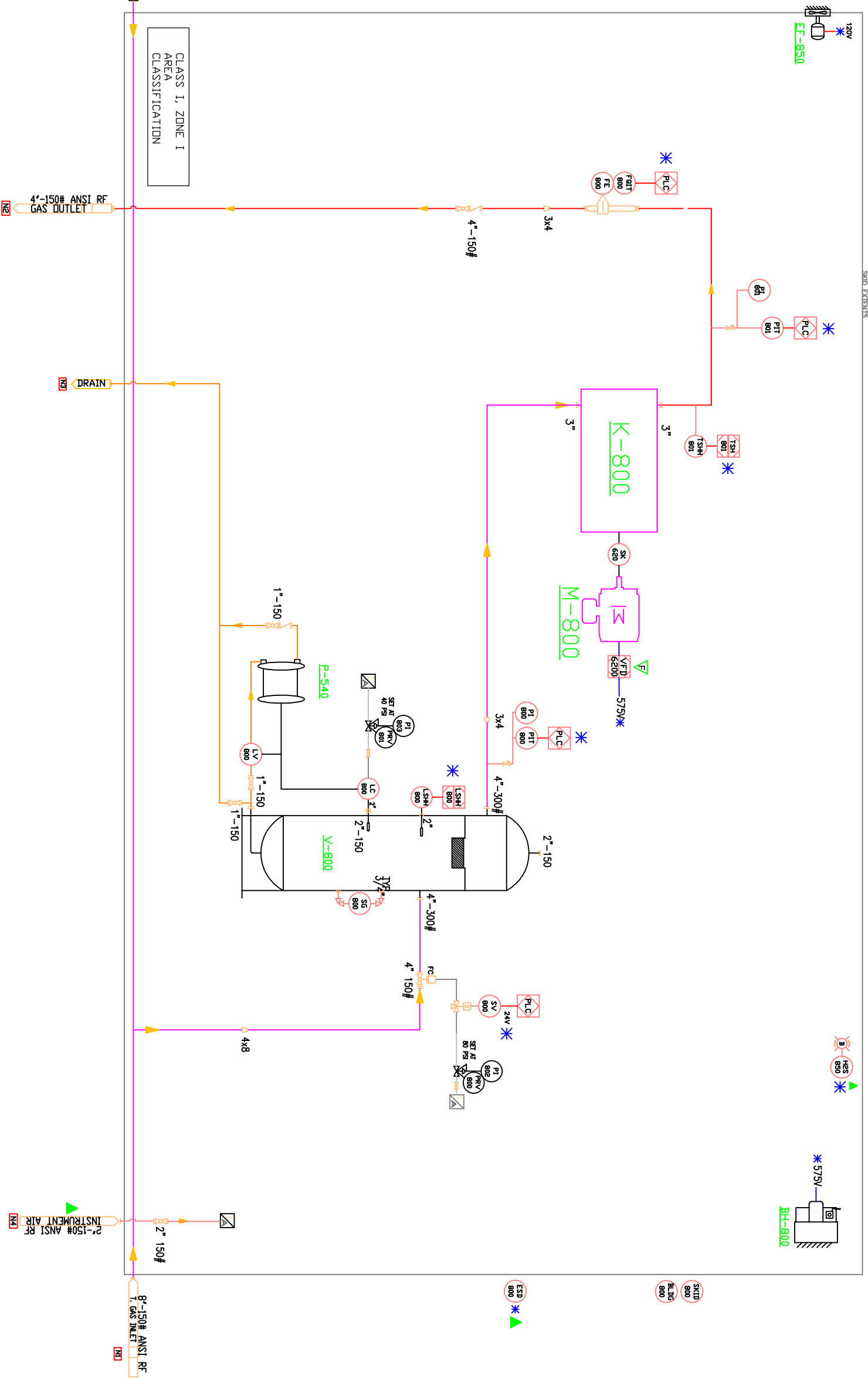


- P-800** DRAIN PUMP  
MAKE : BRUNN  
MODEL: T3D  
AIR POWERED DOUBLE DIAPHRAGM PUMP  
3 GPM @ 40 PSI
- BH-800** BUILDING UNIT HEATER  
MAKE : DOULET 15KV  
MODEL: S75V  
C/V XP THERMOSTAT
- V-800** INLET SCRUBBER VESSEL  
WATERFLOOD PRODUCTION SYSTEMS  
MODEL # SCRU 30V60  
DESIGN 15 PSI @ 250°F
- K-800 - COMPRESSOR** SUBTORBIT BLOWER  
MAKE/MODEL: GAFFER  
MODEL # SCRU 30V60  
C/V 6" FLANGE INLET  
583 H3/HR @ 10 PSIG
- M-800** ELECTRIC DRIVER  
MAKE/MODEL: GAFFER  
MODEL # SCRU 30V60  
C/V 6" FLANGE INLET  
575/3/60 VOLT
- EF-850** EXHAUST FAN  
1/4HP, 120VAC, 60HZ  
EXPLSION PROOF CXP5



SWAGelok FITTINGS TO BE USED

- \* - WIRED IN SHOP
- ▲ CUSTOMER SUPPLIED ITEM
- ★ FIELD WIRED BY OTHERS
- ▽ FIELD SUPPLIED BY OTHERS

NOZZLE SCHEDULE			
NOZZLE #	WELD DATA	DESCRIPTION	
NI	8" 150 40	FLG INLET PIPING	
NI	3" 150 40	FLG OUTLET PIPING	
NI	1" 150 40	FLG SUMP DRAIN OUTLET	
NI	2" 150 40	FLG F/G INSTRUMENT AIR	

REV	DATE	REVISION DESCRIPTION	TITLE	PROJECT
0			Tundra Oil & Gas VRU Blower Package	Job 1571 P&ID
		DESIGNED Kresten Helter	DATE Nov 24-14	DRAWN Kresten Helter
		APPROVED DAVE HEIER	DATE Nov 24-14	CHECKED Brent Blackburn
		SCALE NTS	COMPUTER FILE # 1571 P&ID.DWG	SHEET 1 OF 1
		DRAWING CONTROL # 1571 P&ID	DATE Nov 24-14	REV C



**WATERFLOOD**  
PRODUCTION SYSTEMS LTD.

Tundra Oil & Gas  
VRU Blower Package