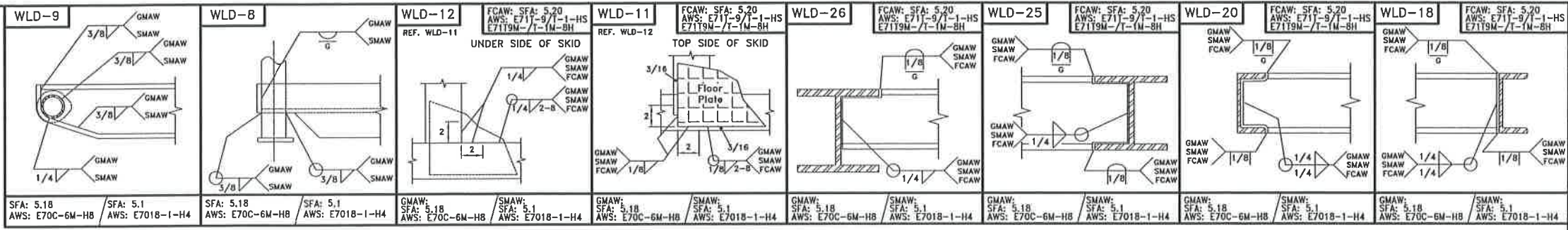
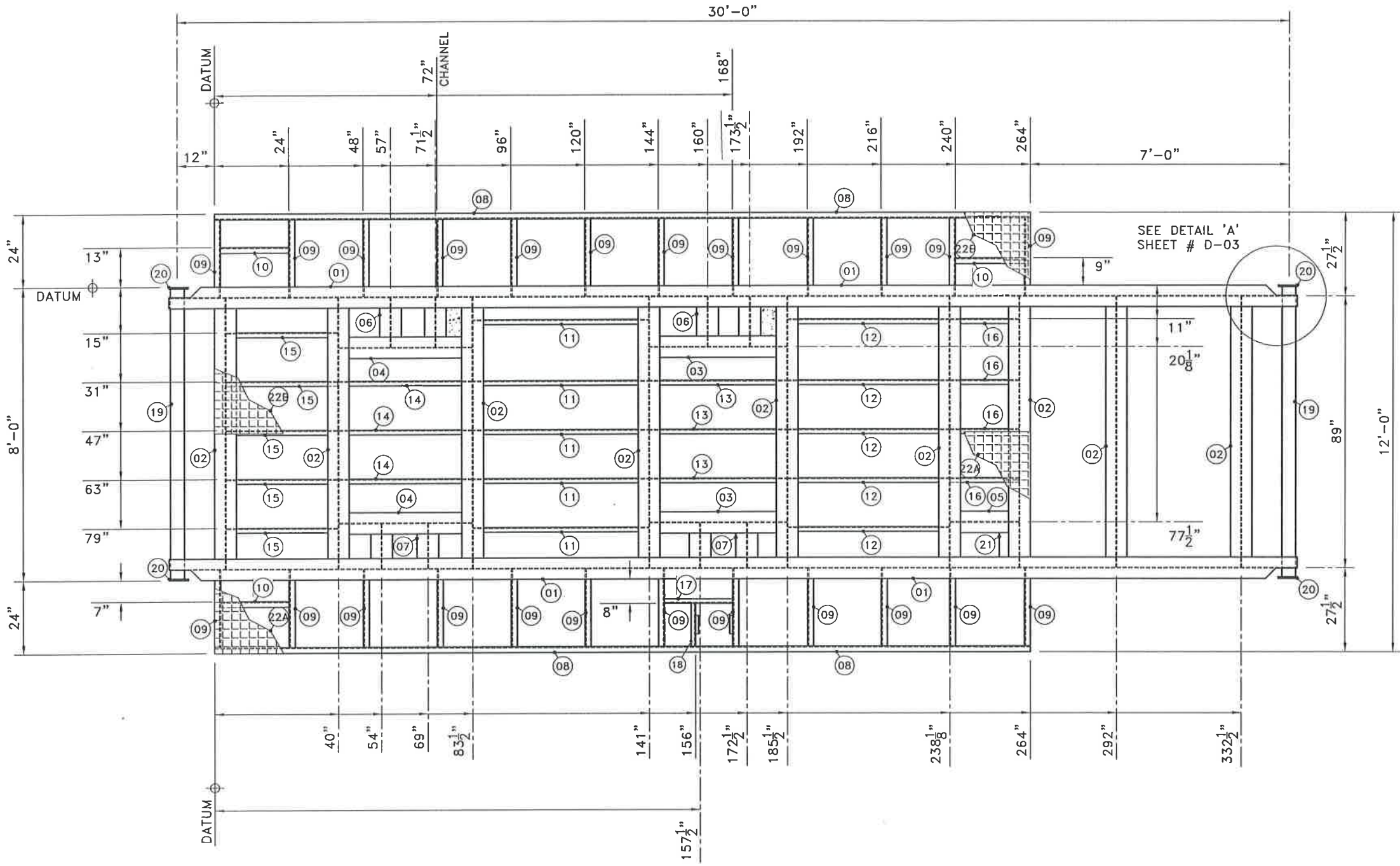


P.C. Compression
 2308-8th Street Nisku Alberta T0E 7Z2
 Office: 780.955.4292 Fax: 780.955.4294
 Toll Free: 866.955.4292
 2013-09-06 11:55:25 AM Drawing Property of P.C. Compression Inc. Duplicate Transmission Without



BILL of MATERIAL

MARK	Q'TY	DESCRIPTION	MATERIAL	WEIGHT
1	2	W16x40 X 32'-6" LG SEE DETAIL A	44W	2,600 lbs
2	9	W16x40 X 7'-4-1/2" LG C.B.E.	44W	2,655 lbs
3	2	W16x40 X 3'-8" LG C.B.E.	44W	293 lbs
4	2	W16x40 X 3'-7" LG C.B.E.	44W	288 lbs
5	1	W16x40 X 1'-9-7/8" LG C.B.E.	44W	73 lbs
6	4	W16x40 X 1'-4-1/8" LG C.B.E.	44W	215 lbs
7	4	W16x40 X 1'-2-1/2" LG C.B.E.	44W	193 lbs
8	2	C6x8.2 X 22'-0" LG	44W	361 lbs
9	24	C6x8.2 X 2'-1-3/8" LG C.O.E.	44W	416 lbs
10	3	C6x8.2 X 1'-10" LG	44W	45 lbs
11	5	C4x5.4 X 4'-9" LG C.B.E.	44W	129 lbs
12	5	C4x5.4 X 4'-4-1/8" LG C.B.E.	44W	118 lbs
13	3	C4x5.4 X 3'-8" LG C.B.E.	44W	59 lbs
14	3	C4x5.4 X 3'-7" LG C.B.E.	44W	58 lbs
15	5	C4x5.4 X 3'-0" LG C.B.E.	44W	81 lbs
16	4	C4x5.4 X 1'-9-7/8" LG C.B.E.	44W	39 lbs
17	1	C3x4.1 X 1'-10" LG	44W	8 lbs
18	1	C3x4.1 X 1'-2" LG	44W	5 lbs
19	2	4" SCH 80 smls PIPE X 7'-11" LG	A106B	237 lbs
20	4	4 ROLL END CAP	A36	8 lbs
21	1	FB 3x1/2 X 7-7/8" LG	A36	4 lbs
22	1	3/16" CHECKPLATE - SEE DWG. D-02	A36	2,454 lbs
23	1	ROLL GRATING - SEE DWG. D-02	-	92 lbs
24	1	COMPRESSOR SUB-SKID - SEE DWG. D-03	-	800 lbs
25	1	COOLER SUB SKID - SEE DWG. D-02	-	267 lbs
26	1	BASE PLATES - SEE DWG. D-02	-	601 lbs
27	1	SECONDARY CONTAINMENT LIP - SEE DWG. D-02	-	366 lbs
28	1	SKID SUMP ASSEMBLY - SEE DWG. D-03	-	29 lbs
TOTAL				12,488 lbs



MASTER COPY

WELDERS NOTE:
 - 1/8" HAS BEEN TAKEN OFF OF CUT LENGTHS FOR WELD GAP PURPOSES

PC COMPRESSION

ISSUE FOR CONSTRUCTION REV. # 0

SDC

DATE: 06/09/2013

DEPT: PROD

D73-0191

LSD: 01-18-03-28 W1M
 AFE: 02013255FC

	<p>20HP VRU & 30HP BOOSTER PACKAGE RO-FLO 5CC w20HP / RO-FLO 5CC w30HP SOUR NATURAL GAS SERVICE</p>	<p>Drawn by: G. BROWN Date: 09-03-13 Checked by: [Signature] Approved by: [Signature]</p>																						
<p>2308-8th Street Nisku Alberta T0E 7Z2 Office: 780.955.4292 Fax: 780.955.4294 Toll Free: 866.955.4292</p>		<p>Company: TUNDRA OIL & GAS PARTNERSHIP</p>																						
<table border="1" style="width: 100%; border-collapse: collapse;"> <thead> <tr> <th>REV.</th> <th>DESCRIPTION</th> <th>BY</th> <th>DATE</th> <th>CHKD/APPD</th> </tr> </thead> <tbody> <tr> <td>0</td> <td>ISSUED FOR CONSTRUCTION</td> <td>GDB</td> <td>09-08-13</td> <td></td> </tr> </tbody> </table>	REV.	DESCRIPTION	BY	DATE	CHKD/APPD	0	ISSUED FOR CONSTRUCTION	GDB	09-08-13		<table border="1" style="width: 100%; border-collapse: collapse; font-size: 0.8em;"> <thead> <tr> <th>Scale:</th> <th>Quota/Ref. NO.:</th> <th>JOB NO.:</th> <th>Unit NO.:</th> <th>Drawing NO.:</th> <th>Rev.:</th> </tr> </thead> <tbody> <tr> <td>1:40</td> <td>Q-13019R1</td> <td>PC-512</td> <td>RF-13018</td> <td>SKD-RF13018-D-01</td> <td>0</td> </tr> </tbody> </table>		Scale:	Quota/Ref. NO.:	JOB NO.:	Unit NO.:	Drawing NO.:	Rev.:	1:40	Q-13019R1	PC-512	RF-13018	SKD-RF13018-D-01	0
REV.	DESCRIPTION	BY	DATE	CHKD/APPD																				
0	ISSUED FOR CONSTRUCTION	GDB	09-08-13																					
Scale:	Quota/Ref. NO.:	JOB NO.:	Unit NO.:	Drawing NO.:	Rev.:																			
1:40	Q-13019R1	PC-512	RF-13018	SKD-RF13018-D-01	0																			

C:\Users\gdbrown\OneDrive\Documents\2013\06\09\20130609_01\20130609_01.dwg, 06/09/13 1:00:14 PM, Drawing Property of PC Compression Inc. Duplicate Transmission without

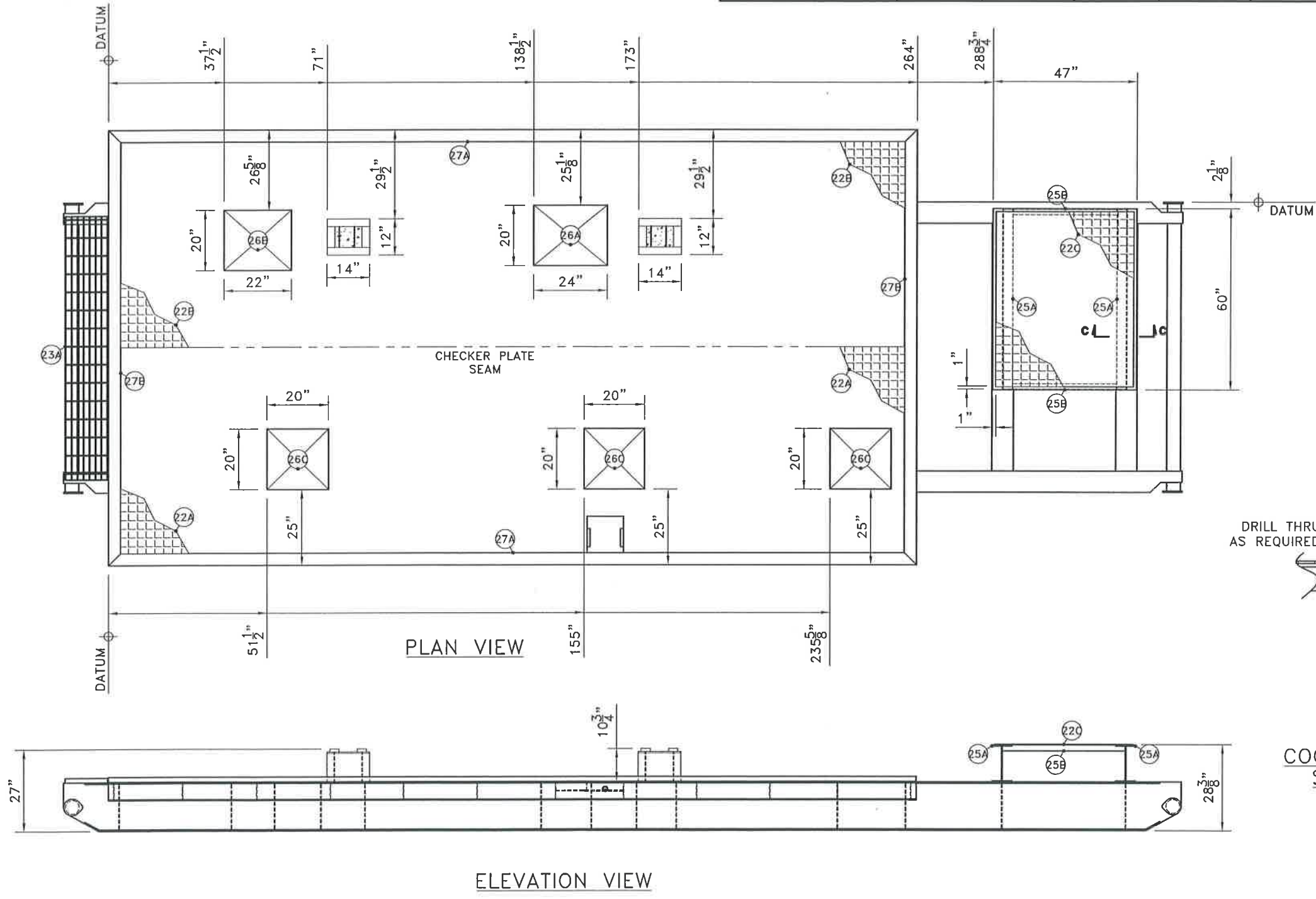
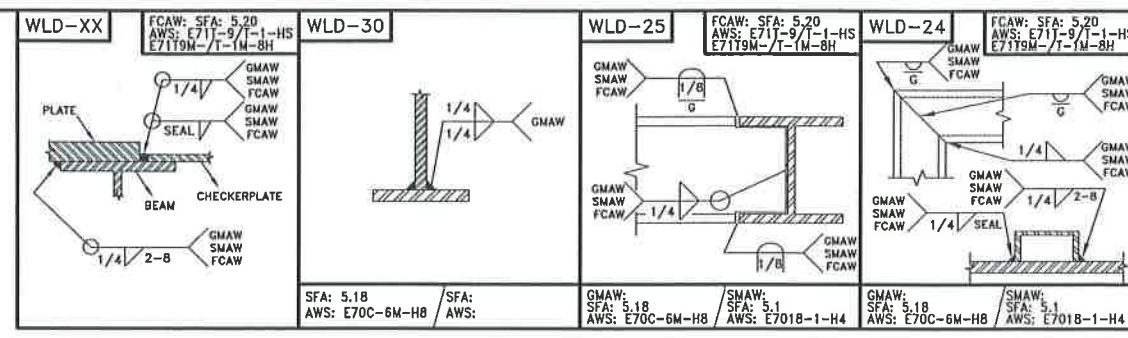
BILL of MATERIAL

MARK	Q'TY	DESCRIPTION	MATERIAL	WEIGHT
22A	1	3/8" CHECKERPLATE: 6'-0"x21'-11 1/2" = 132 sqft	A36	1,148 lbs
22B	1	3/8" CHECKERPLATE: 5'-11 1/8"x21'-11 1/2" = 132 sqft	A36	1,148 lbs
22C	1	3/8" CHECKERPLATE: 3'-9"x4'-10" = 18 sqft	A36	158 lbs
ITEM # 22 TOTAL				2,454 lbs
25A	2	W12x26 X 5'-0" LG	44W	260 lbs
25B	2	A2x2x1/4 X 3'-4-1/8" LG C.B.E.	44W	7 lbs
ITEM # 25 TOTAL				267 lbs
26A	1	1" H.R. PLATE: 2'-0" x 1'-8" = 3.3sqft	A36	136 lbs
26B	1	1" H.R. PLATE: 1'-10" x 1'-8" = 3.1sqft	A36	125 lbs
26C	3	1" H.R. PLATE: 1'-8" x 1'-8" = 2.8sqft	A36	340 lbs
ITEM # 26 TOTAL				601 lbs
27A	2	C4x5.4 x 21'-11 1/4" LG M.B.E.	44W	237 lbs
27B	2	C4x5.4 x 11'-11 1/4" LG M.B.E.	44W	129 lbs
ITEM # 27 TOTAL				366 lbs
23A	1	GRATING: 1 1/2"x3/8" SERRATED 19W-4 = 8.5sqft	A36	90 lbs
23B	2	FB 1/2"x1 1/2", CUT AS REQUIRED	A36	2 lbs
ITEM # 29 TOTAL				92 lbs

MASTER COPY

WELDERS NOTE:

- 1/8" HAS BEEN TAKEN OFF OF CUT LENGTHS FOR WELD GAP PURPOSES
- SEE DWG D-01 & D-03 FOR BOM DETAILS
- ALL BEAMS TO BE WELDED FLAT ON TOP
- CHECKER PLATE SEAM BACKING FIT BY SHOP.
- WELD PLATE ITEM # 26A, 26B & 26C DIRECTLY TO MAIN BEAM. SEE DETAIL WLD-XX.
- CUTOUT CHECKERPLATE AS REQUIRED.



PC COMPRESSION

ISSUE FOR CONSTRUCTION

SDC

REV. # 0

DATE 06/09/2013

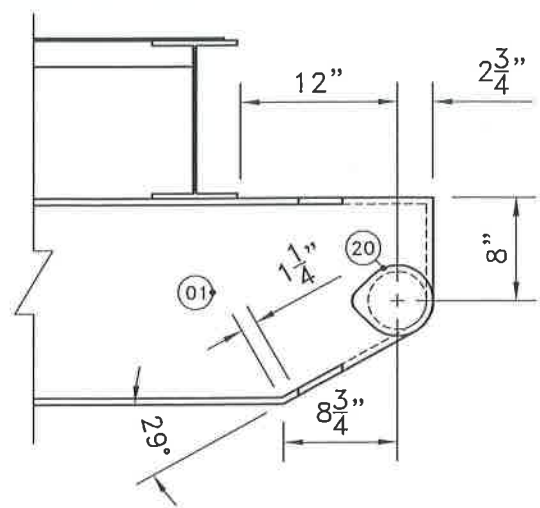
DEPT. PROD

D713-0191

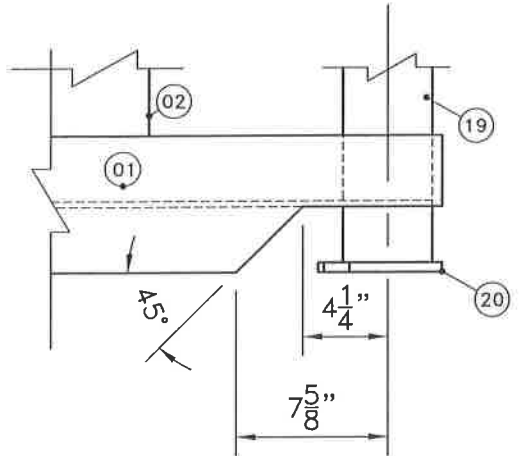
LSD: 01-18-03-28 W1M
 AFE: 02013255FC

ISSUED FOR CONSTRUCTION GDB 09-08-13		Drawn by: G. BROWN Date: 09-03-13 Checked by: Approved by:
2308-8th Street Nisku Alberta T9E 7Z2	Office: 780.955.4292 Fax: 780.955.4294 Toll Free: 866.955.4292	Company: TUNDRA OIL & GAS PARTNERSHIP
Scale: 1:40	Quote/Ref. NO.: Q-13019R1	Job NO.: PC-512
Unit NO.: RF-13018	Drawing NO.: SKD-RF13018-D-02	Rev.: 0

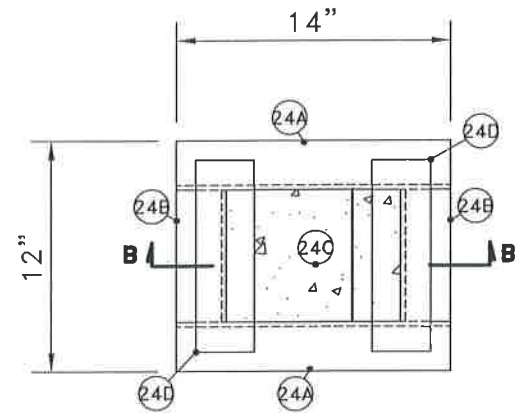
Copyright © 2013 by PC Compression Inc. All rights reserved. No part of this document may be reproduced without the written permission of PC Compression Inc.



DETAIL 'A1'

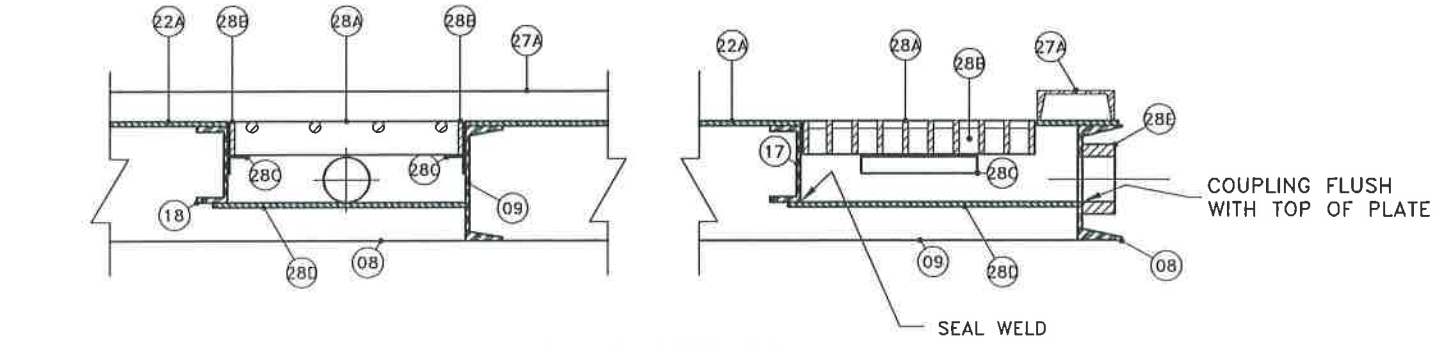


DETAIL 'A2'

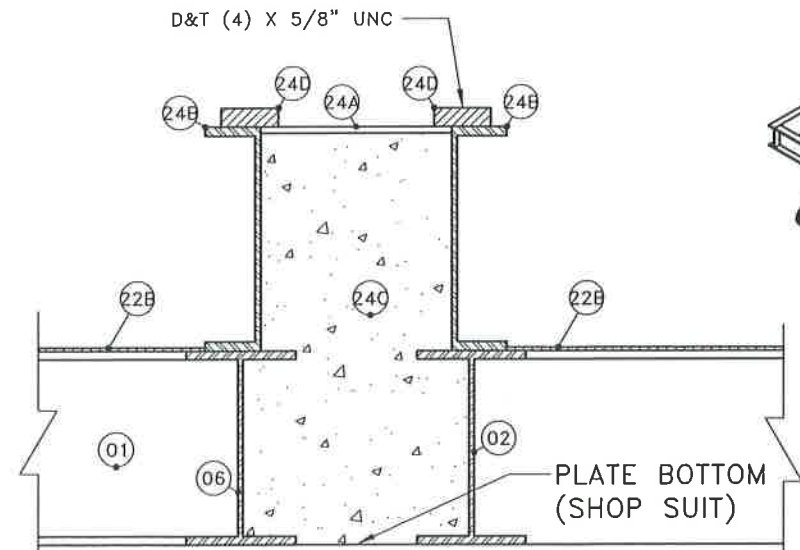


COMPRESSOR SUB BASE BUILD x2

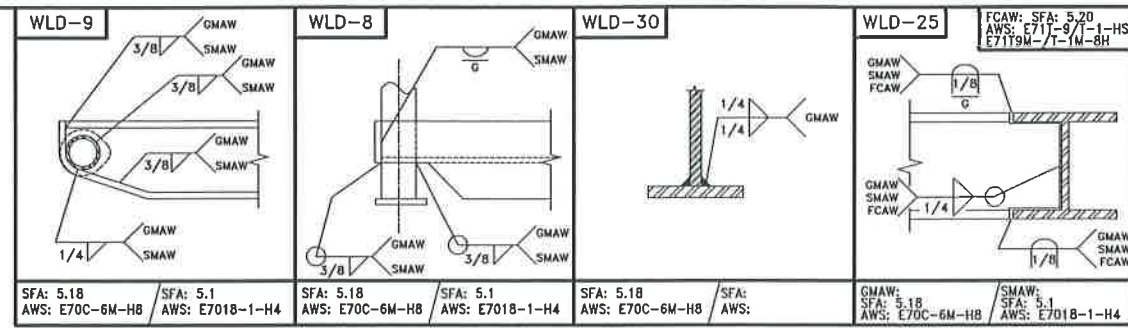
- SHOP TO LOCATE ITEM #24D. DO NOT WELD UNTIL AFTER PIPING ASSEMBLY IS COMPLETED



SUMP DETAILS



COMPRESSOR SUB BASE SECTION B-B

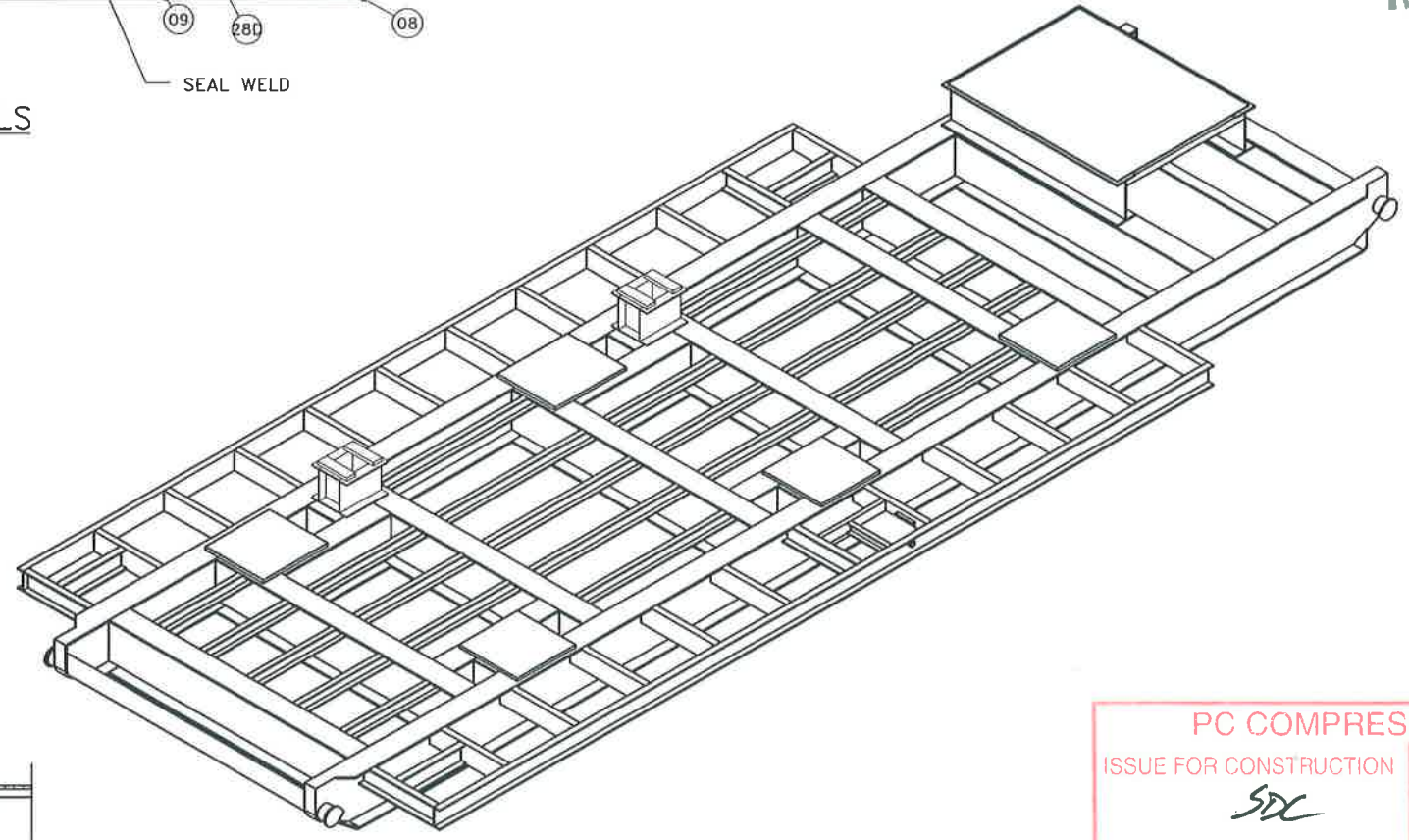


BILL of MATERIAL

MARK	Q'TY	DESCRIPTION	MATERIAL	WEIGHT
24A	4	C10x15.3 x 1'-2" LG	44W	72 lbs
24B	4	C10x15.3 x 0'-6-5/8" LG	44W	34 lbs
24C	2	CONCRETE: 2.0cuft @ 165LBS/cuft = 5 BAGS	27mPa	660 lbs
24D	4	FB1x3 x 0'-10" LG	A36	800 lbs
ITEM # 24 TOTAL				747 lbs
28A	1	GRATING: 1 1/2" x 3/8" SERRATED 19W-4 = 1.0sqft	A36	11 lbs
28B	2	FB1/8x1-1/2" x 1'-0" LG	A36	1 lbs
28C	2	1"x1"x1/8" ANGLE x 0'-10" LG	44W	1 lbs
28D	1	1/4" CHECKER PLATE (1'-3"x1'-1"=1.35sqft)	A36	15 lbs
28E	1	1" cl3000 NPT HALF CPLG	A105	1 lbs
ITEM # 22 TOTAL				29 lbs

WELDERS NOTE:
 - 1/8" HAS BEEN TAKEN OFF OF CUT LENGTHS FOR WELD GAP PURPOSES
 - SEE DWG D-01 & D-02 FOR BOM DETAILS
 - ALL BEAMS TO BE WELDED FLAT ON TOP
 - WELD COMPRESSOR SUB SKID TO MAIN BEAMS BEFORE FILLING WITH CONCRETE.

MASTER COPY



PC COMPRESSION

ISSUE FOR CONSTRUCTION

SDC

DT73-0191

REV. #	0
DATE	06/09/2013
DEPT.	PROD

LSD: 01-18-03-28 W1M
 AFE: 02013255FC

<table border="1" style="width: 100%; border-collapse: collapse;"> <tr> <th>REV.</th> <th>DESCRIPTION</th> <th>BY</th> <th>DATE</th> <th>CHKD</th> <th>APPD</th> </tr> <tr> <td>0</td> <td>ISSUED FOR CONSTRUCTION</td> <td></td> <td>09-06-13</td> <td></td> <td></td> </tr> </table>	REV.	DESCRIPTION	BY	DATE	CHKD	APPD	0	ISSUED FOR CONSTRUCTION		09-06-13			<p>2308-8th Street Nisku Alberta T9E 7Z2</p> <p>Office: 780.955.4292 Fax: 780.955.4294 Toll Free: 866.955.4292</p>	<table border="1" style="width: 100%; border-collapse: collapse;"> <tr> <td>Drawn by: G.BROWN</td> <td rowspan="3" style="text-align: center; vertical-align: middle;"> 20HP VRU & 30HP BOOSTER PACKAGE RO-FLO 5CC w20HP / RO-FLO 5CC w30HP SOUR NATURAL GAS SERVICE </td> </tr> <tr> <td>Date: 09-03-13</td> </tr> <tr> <td>Checked by:</td> </tr> <tr> <td>Approved by: <i>GB</i></td> <td>Company: TUNDRA OIL & GAS PARTNERSHIP</td> </tr> <tr> <td>Scale: 1:30</td> <td>Quote/Ref. No.: Q-13019R1</td> </tr> <tr> <td></td> <td>JOB NO.: PC-512</td> </tr> <tr> <td></td> <td>Unit No.: RF-13018</td> </tr> <tr> <td></td> <td>Drawing No.: SKD-RF13018-D-03</td> </tr> <tr> <td></td> <td>Rev.: 0</td> </tr> </table>	Drawn by: G.BROWN	20HP VRU & 30HP BOOSTER PACKAGE RO-FLO 5CC w20HP / RO-FLO 5CC w30HP SOUR NATURAL GAS SERVICE	Date: 09-03-13	Checked by:	Approved by: <i>GB</i>	Company: TUNDRA OIL & GAS PARTNERSHIP	Scale: 1:30	Quote/Ref. No.: Q-13019R1		JOB NO.: PC-512		Unit No.: RF-13018		Drawing No.: SKD-RF13018-D-03		Rev.: 0
REV.	DESCRIPTION	BY	DATE	CHKD	APPD																									
0	ISSUED FOR CONSTRUCTION		09-06-13																											
Drawn by: G.BROWN	20HP VRU & 30HP BOOSTER PACKAGE RO-FLO 5CC w20HP / RO-FLO 5CC w30HP SOUR NATURAL GAS SERVICE																													
Date: 09-03-13																														
Checked by:																														
Approved by: <i>GB</i>	Company: TUNDRA OIL & GAS PARTNERSHIP																													
Scale: 1:30	Quote/Ref. No.: Q-13019R1																													
	JOB NO.: PC-512																													
	Unit No.: RF-13018																													
	Drawing No.: SKD-RF13018-D-03																													
	Rev.: 0																													