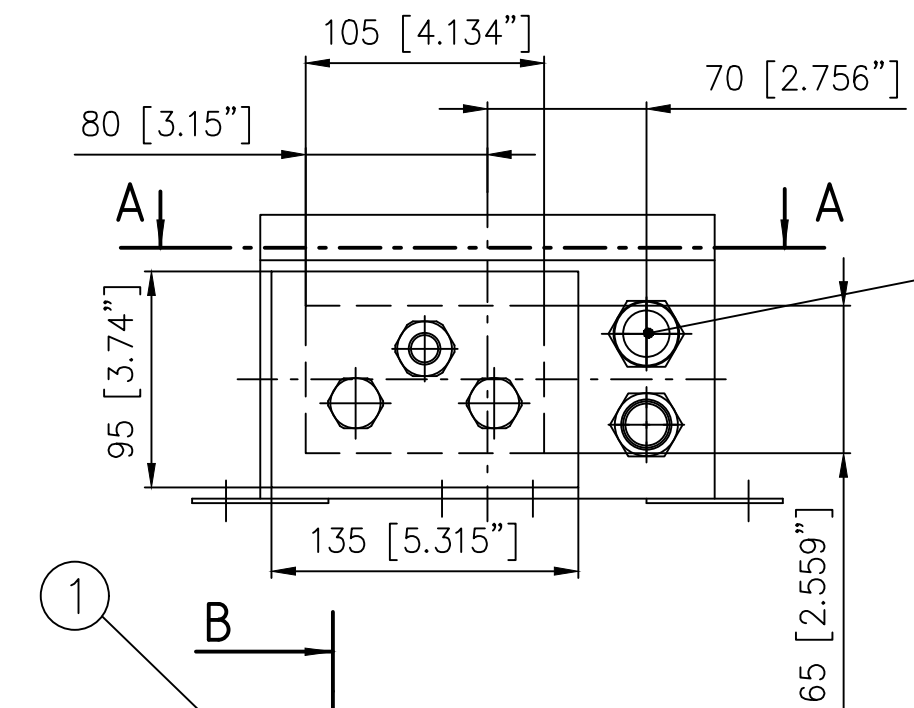


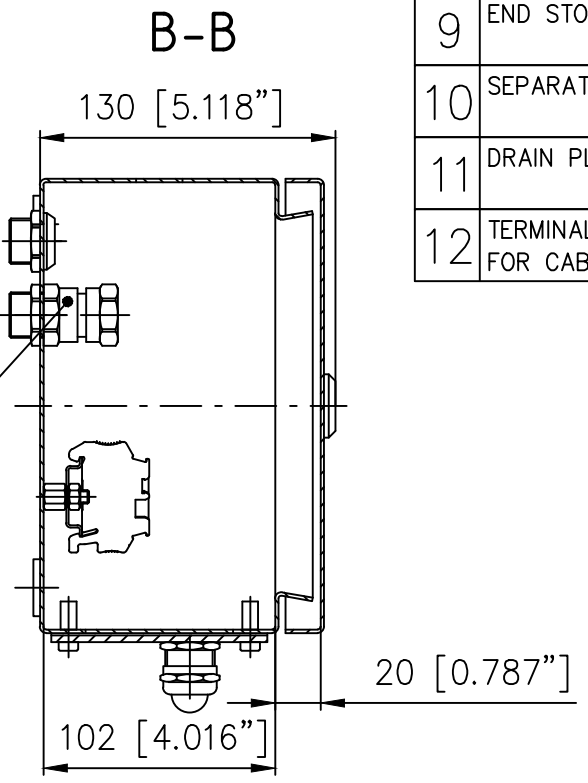
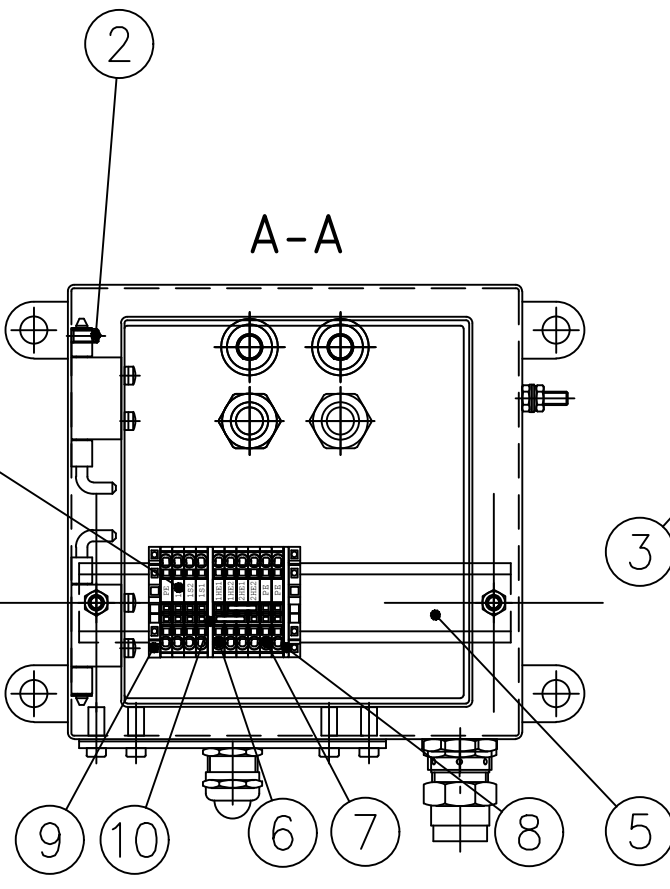
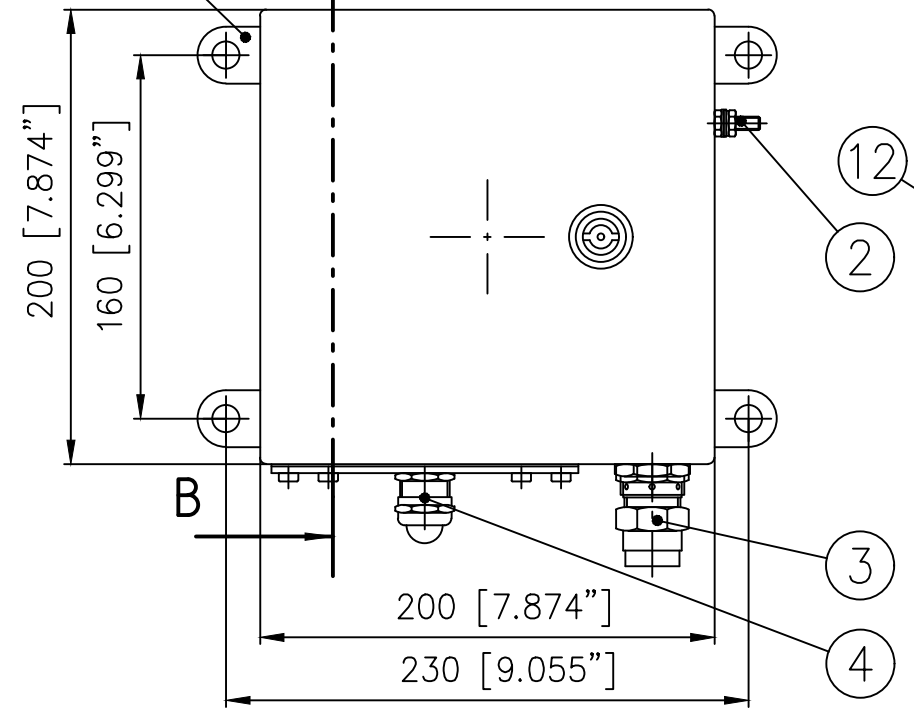
We reserve all rights in this document and in the information contained therein. Reproduction, use or disclosure to third parties without express authority is strictly forbidden.
© ABB ELECTRICAL MACHINES LTD.

Symbols for roughness according to ISO 1302, 9ADA 431

General tolerances for linear and angular dimensions and geometrical tolerances: ISO 2768 -mK Referential standards 9ADA 422, DIN 7168T.1



0537 II 2G Ex eb ia IIC T4 Gb
II 2D Ex tb IIIC T100°C Db
EESF 18 ATEX 033X, IECEx EESF 18.0013X
ZWT1 ABB Oy
550V IP66
MAX CABLE CROSS SECTIONS SHOWN IN CONNECTION DIAGRAM



1	TERMINAL BOX MATERIAL: PAINTED STEEL
2	GROUNDING LUG (AISI 316) (2 PCS)
3	CABLE GLAND FOR ABB'S INCOMING NUMBER AND SIZE IS CASE SPECIFIC
4	CABLE GLAND FOR CUSTOMER'S CABLES M20X1.5 (1 PCS)
5	MOUNTING RAIL TS 35 x 7.5 (1 PC)
6	TERMINAL BLOCK (GREY) FOR CABLE 0.5-2.5mm ² (4 PCS)
7	PROTECTIVE EARTH TERMINAL BLOCK FOR CABLE 0.5-2.5mm ² (3 PCS)
8	END PLATE (1 PCS)
9	END STOP (2 PCS)
10	SEPARATOR (1 PCS)
11	DRAIN PLUG (1 PCS)
12	TERMINAL BLOCK (BLUE) FOR CABLE 0.5-2.5mm ² (3 PCS)

Energflex Ltd. VENDOR DRAWING/DOCUMENT REVIEW CODES		
1	<input checked="" type="checkbox"/>	Reviewed and accepted with no comment.
2	<input type="checkbox"/>	Reviewed and accepted with comment. Work may proceed subject to incorporation of comments.
3	<input type="checkbox"/>	Revise and resubmit. Work will NOT proceed.
4	<input type="checkbox"/>	Review not required (for information only).
Reviewed only as to general conformity with the design concept and specifications provided. Sole responsibility for correct design, detail and dimensions shall remain with the party submitting the document.		
Checked By	Date	Project No.
dwallace	2/14/2019	E104026

Customer Reference 5: 02C 7.4_1750HP,6P,4kV_MSSappvd	Our Reference 2800IY200	Protection/Cooling IP66
Additional Information		Poles
Prepared 2019-01-30 GRACE ZHAO	Separate part list with separate No. <input type="checkbox"/>	Title TERMINAL BOX FOR SPACE HEATERS AND DIFFERENTIAL PRESSURE SWITCH
Reviewed 2019-01-30 LEON HUANG	Responsible Department	Scale 1:3
Approved 2019-01-30 KENNY KE	Original Dwg	Language en
Distribution 0	Functional Code AK	Order No.
Weight	Type AMI 500L6W BSFNS	Mounting Size A3
Document No. 3GYB3898262		Revision A
Sheet 1/1		AutoCAD

ABBA3BF1