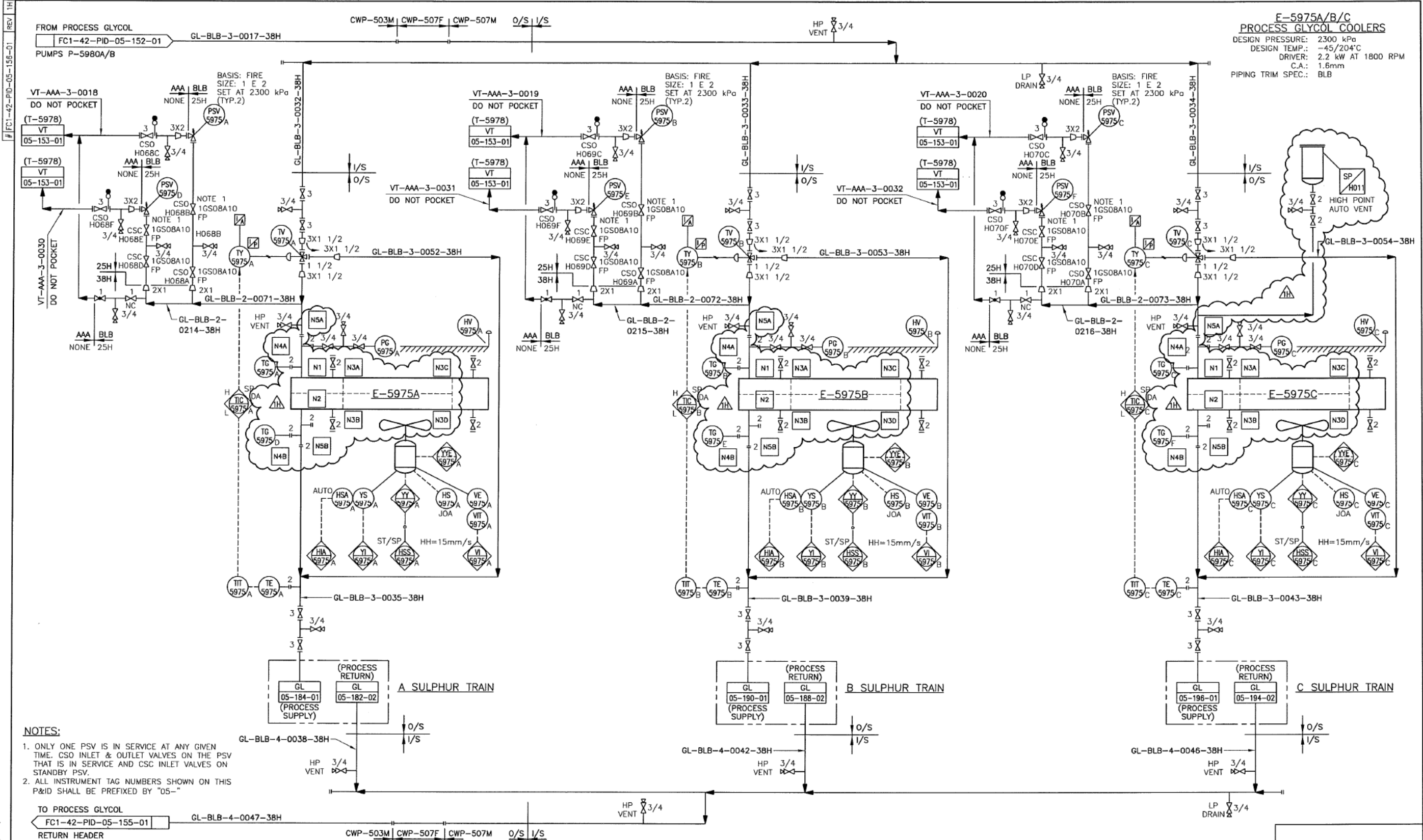


E-5975A/B/C
PROCESS GLYCOL COOLERS
 DESIGN PRESSURE: 2300 kPa
 DESIGN TEMP.: -45/204°C
 DRIVER: 2.2 kW AT 1800 RPM
 C.A.: 1.6mm
 PIPING TRIM SPEC.: BLB



NOTES:
 1. ONLY ONE PSV IS IN SERVICE AT ANY GIVEN TIME. CSO INLET & OUTLET VALVES ON THE PSV THAT IS IN SERVICE AND CSC INLET VALVES ON STANDBY PSV.
 2. ALL INSTRUMENT TAG NUMBERS SHOWN ON THIS P&ID SHALL BE PREFIXED BY "05-"

DRAWING NUMBER	REFERENCE DRAWINGS	STAMPS	REV NO	REVISION	DATE	DRN	CKD	DES	LDE	PE	DESIGNED BY	CONSULTANT LOGO	TITLE
FC1-42-PID-05-156-01			0H	ISSUED FOR CONSTRUCTION	09/09/01	VC	DC	DB	DB	DB	DS	DPH FOCUS	PIPING & INSTRUMENTATION DIAGRAM GLYCOL COOLERS - E-5975A/B/C
			1H	RE-ISSUED FOR CONSTRUCTION	10/03/10	SR	RB	RB	RB	RB	RA		
											CHECKED BY	PROJECT ENGINEER	REVISION
											DC	DB	1H
											DATE	SCALE	
											08/01/08	NTS	
											WORK PACKAGE #	PROJECT NO.	
											9971	9971	

March 10, 2010, 2:18:20 P.M.
 C:\Work\FC1-42-PID-05-156-01\FC1-42-PID-05-156-01.dwg
 Author: eng-ajb
 Title: PIPING & INSTRUMENTATION DIAGRAM