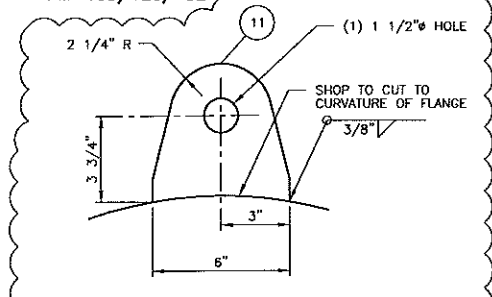
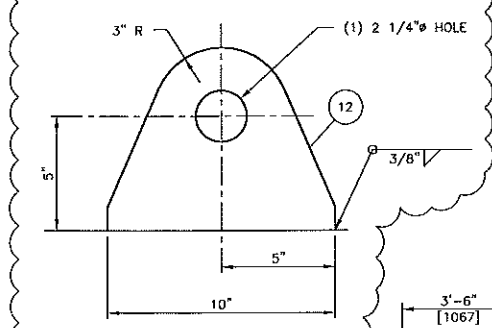


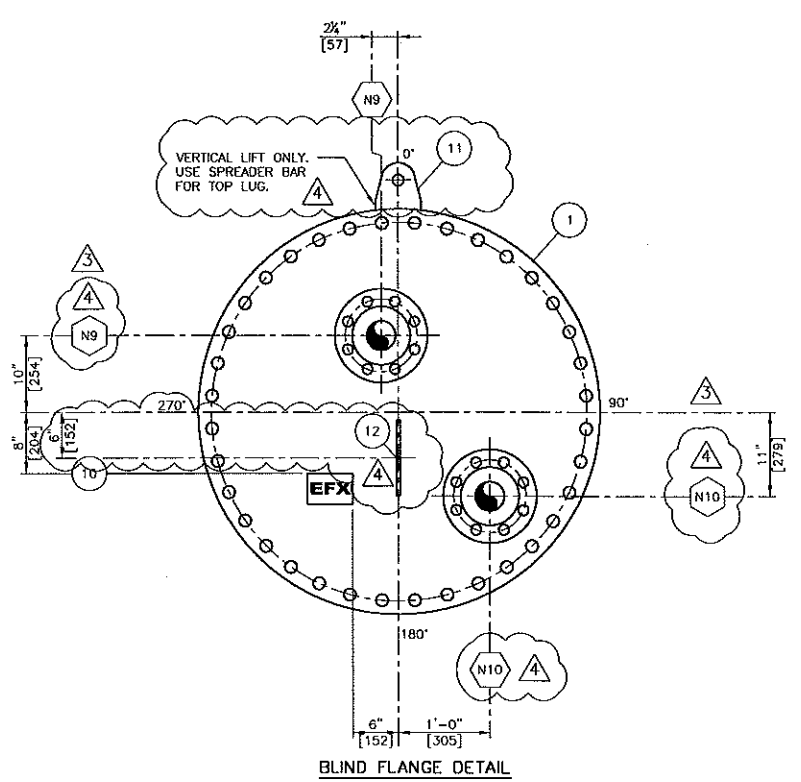
PM-109/126/132



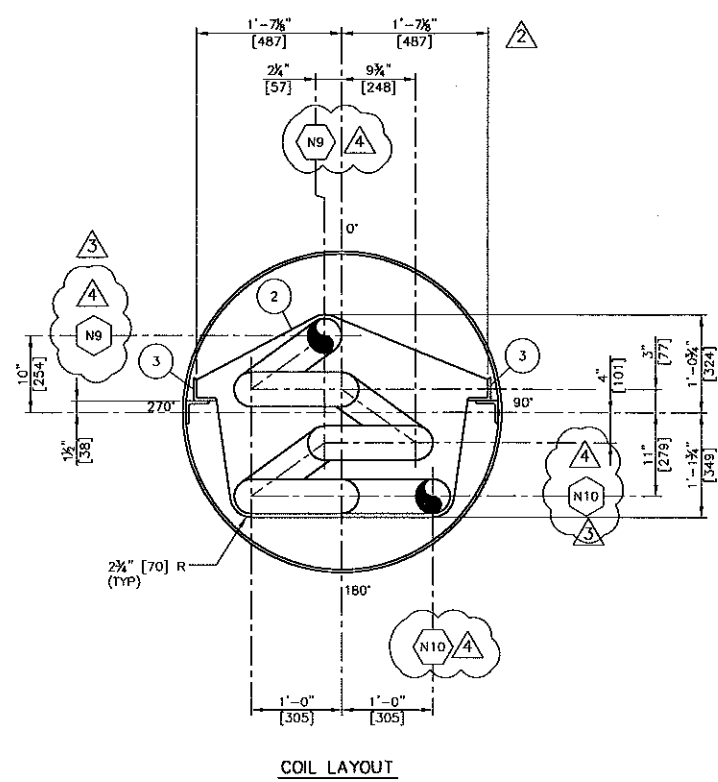
LIFT LUG DETAIL



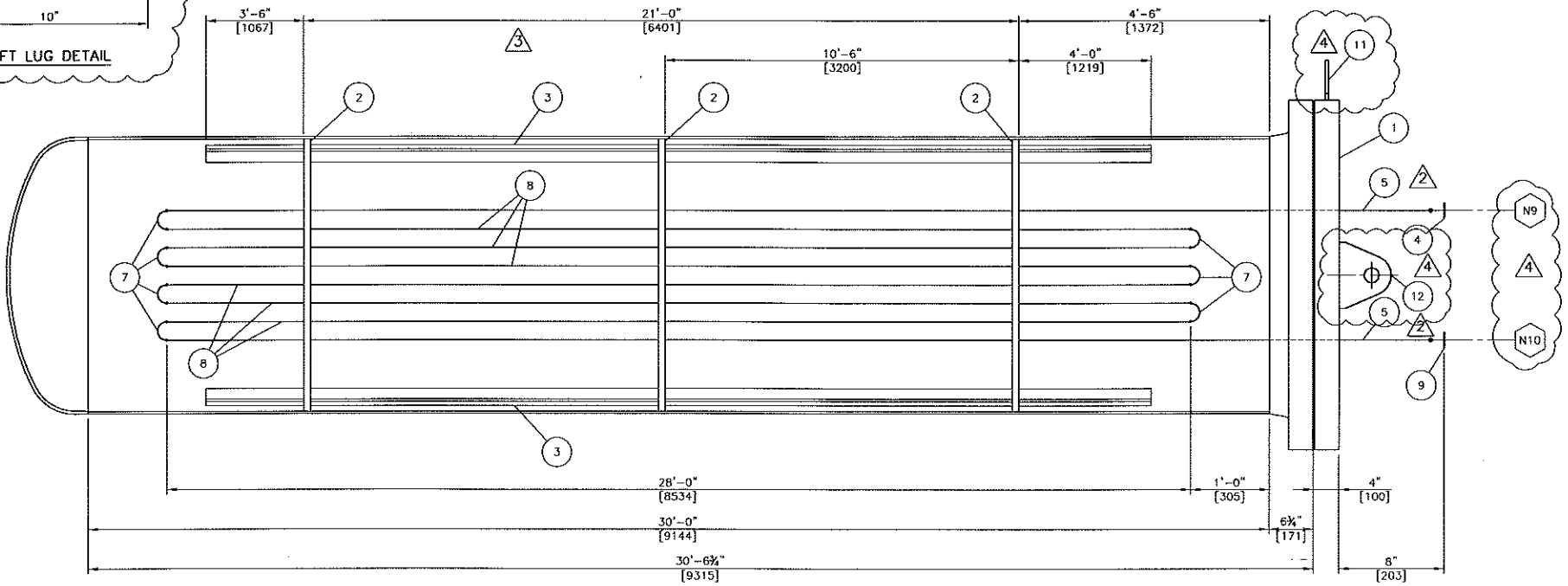
LIFT LUG DETAIL



BLIND FLANGE DETAIL

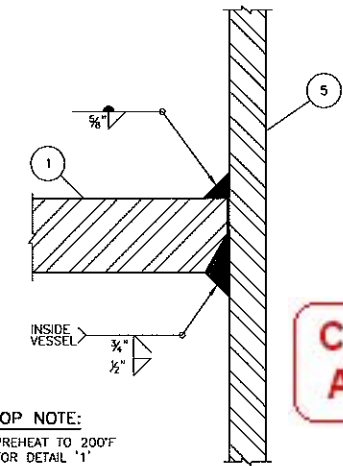


COIL LAYOUT



COIL SCHEMATIC NTS

BILL OF MATERIALS				
MARK	PART	DESCRIPTION	QTY.	MATERIAL
1	BLIND FLANGE	42" CL. 150 ASME B16.476 SERIES 'A' RF BLIND FLG	1	SA350LF2CL1
2	SUPPORT PLATE	2'-2 1/2" x 3/8" PL x 3'-2 3/8" LG	3	SA-51670N
3	COIL SLIDES	3" x 3" x 1/4" ANGLE x 28'-6" LG	2	SAG40.2144W
4	(N9) GAS INLET	4" CL. 1500 SCH 160 RTJWN FLG	1	SA350LF2CL1
5		4" SCH 160 SMLS PIPE x 30'-0 7/8" LG	2	SA-333GR6
6				
7		4" SCH 160 180° LR BW RETURN	7	SA-420WPL6
8		4" SCH 160 SMLS PIPE x 28'-0" LG	6	SA-333GR6
9	(N10) GAS OUTLET	4" CL. 1500 SCH 160 RTJWN FLG	1	SA350LF2CL1
10	NAME PLATE	STANDARD NAME PLATE c/w 'I' BRACKET	1	SA40.2150W
11	LIFT LUG	6" x 1/2" PL x 6" LG (SEE DETAIL)	1	SA-51670N
12	LIFT LUG	8" x 1/2" PL x 10" LG (SEE DETAIL)	1	SA-51670N



SHOP NOTE:
- PREHEAT TO 200°F FOR DETAIL '1'

DETAIL '1'

CERTIFIED AS BUILT

COIL DESIGN DATA	
DESIGN and FABRICATE ACCORDING TO ASME SECTION VIII 2007 EDITION and A-08 ADDENDA.	
COIL:	N9/N10
SIZE and SCH.:	4" SCH 160
FLANGE RATING:	CL. 1500 RTJWN
DESIGN PRESSURE (INTERNAL): (PSIG)	2200
DESIGN TEMPERATURE: (°F)	400/-40
CORROSION ALLOWANCE (INNER):	0.125"
CORROSION ALLOWANCE (OUTER):	0
RADIOGRAPHY:	100%
STRESS RELIEVE:	60 MIN. @ 1150°F ± 25°F
HYDROTEST: (PSIG)	2860
COIL SERVICE	SOUR
HEATING SURFACE: (sq. ft.)	279.20
VOLUME: (cu. ft.)	15.278
WELDING PROCEDURES: PM-109/126/132	
SERIAL NO:	B7563-21
ESTIMATED WEIGHT: 8000 lbs (3628 kg)	
CUSTOMER:	BG INTERNATIONAL LIMITED
JOB NO:	B7563-21
PROJECT:	OJAY D SOUR GAS SATELLITE d-A21-C/93-I-16
TITLE:	RE-HEATER VESSEL (E-210) COIL DETAILS

- NOTES:
- 1) ALL PRESSURE WELDS TO BE PER L1-1 AND DETAIL '1' WELD DETAILS.
 - 2) ALL PRESSURE RETAINING MATERIAL ON BLIND AND COIL ASSEMBLY TO BE CHEM. SELECT AS FOLLOW:
 $\%C + \%Mn/6 + (\%Cr + \%Mo + \%V)/5 + (\%Ni + \%Cu)/15 \leq 0.45$;
 - 3) ALL PRESSURE RETAINING MATERIAL ON BLIND AND COIL ASSEMBLY NOT TO EXCEED HARDNESS OF BHN 200.
 - 4) BLIND AND COIL ASSEMBLY TO BE PWHT FOR 60 MIN. @ 1150°F ± 25°F.
 - 5) ALL DIMENSIONS IN [] ARE IN mm.
 - 6) REFER TO DWG #B7563-00-DR-21-001-001 FOR VESSEL DETAILS.

NO.	REVISION	BY	CHKD.	DATE
4	ADDED LIFT LUGS, CHANGED NOZZLE TAGS	SB		09/07/02
3	REVISED DIMENSIONS & NOZZLE TAGS	SB		09/06/26
2	REVISED DETAIL '1' & SUPPORT PLATE DIM.	JD		09/06/16
1	CHANGED ITEM #6 LENGTH	VY		09/06/09
0	ISSUED FOR CONSTRUCTION	VY		09/06/05

CUSTOMER REFERENCE: T.B.A.

ENERFLEX

PRODUCTION & PROCESSING