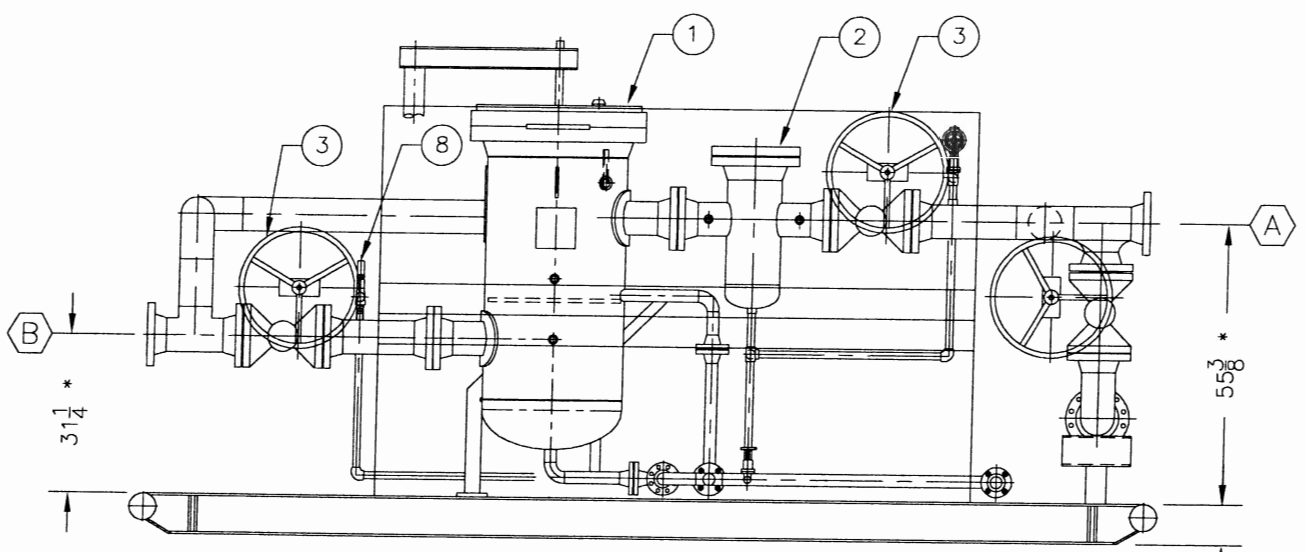
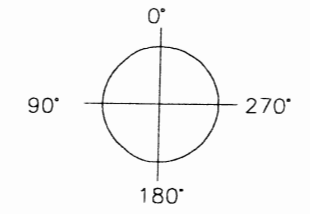


PLAN



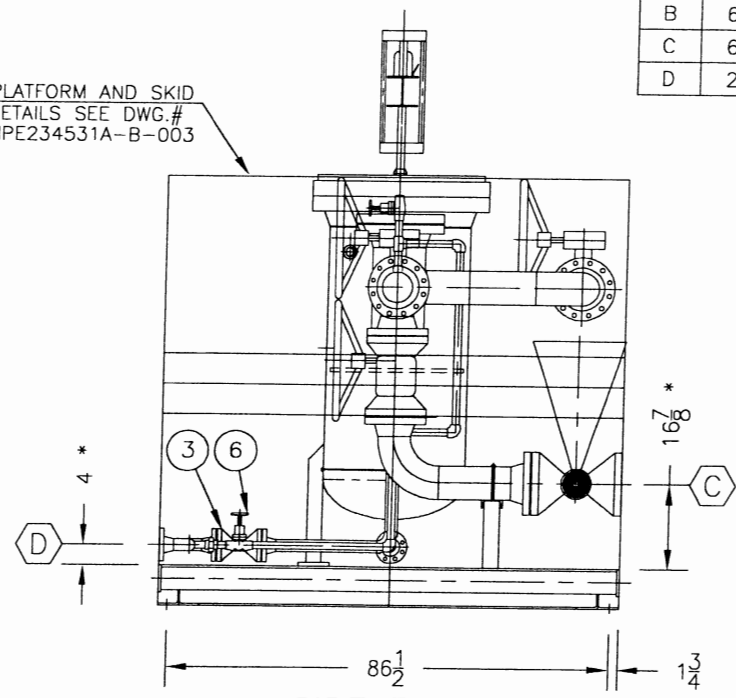
ELEVATION



NOZZLE ORIENTATION

- 9 MOUNT PDI AND DPT ON PLATFORM/SKID AT READABLE HEIGHT
- 10

12 PLATFORM AND SKID DETAILS SEE DWG.# NPE234531A-B-003



SIDE ELEVATION

BILL OF MATERIAL

ITEM	QTY.	DESCRIPTION	MFR'R
1	1	FILTER HOUSING 6"-300# RF INLET/OUTLET, MODEL# 57-66-229-28-701-6F	PECO
2	1	BASKET STRAINER 6"-300# RF INLET/OUTLET	-
3	4	6"-300# RF FP KF (F-SERIES) GEAR OPERATED BALL VALVE MODEL # 1724-192293 WITH SS INTERNAL	KF
4	1	6"-300# RFFP GLOBE VALVE MODEL#23FCB4-2	NEWCO
5	2	2"-300# RF FP BALL VALVE MODEL #	TBA
6	2	1"-CLASS 800# THRD BALL VALVE MODEL #	TBA
7	1	1"-CLASS 800# THRD GATE VALVE MODEL #	TBA
8	1	3/4"MNPT INLET x 1"FNPT OUTLET PRESSURE RELIEF VALVE, CROSBY OMNI SERIES MODEL# 951301MA SET @ 701 PSIG	CROSBY
9	2	DIFFERENTIAL PRESSURE TRANSMITTER MODEL# 1151DP5S52M7B1C6 (NOT SHOWN)	ROSEMOUNT
10	2	DIFFERENTIAL PRESSURE INDICATOR MODEL #1201-PG-I-C-2.5L, 0-25 PSI/kPa (NOT SHOWN)	ORANGE
11	4	GAUGE AND BLEED VALVE WITH PLUG, MODEL M51VIS-46-CB/H71VIS-44Q-CB (NOT SHOWN)	AGCO
12	1	STRUCTURAL STEEL SKID 8WF MAIN MEMBER c/w GRATING PLATFORM	NPE

NOZZLE SCHEDULE

TAG	SIZE	DESCRIPTION	RATING	MAT'L	ORIENTATION
A	6"	INLET	300# RF	CS	270
B	6"	OUTLET	300# RF	CS	90
C	6"	BY-PASS	300# RF	CS	0
D	2"	DRAIN	150# RF	CS	180

REFERENCE DRAWINGS		NEXEN APPROVAL				REVISION		APPROVAL			PROFESSIONAL STAMP	PERMIT STAMP	
DRAWING No	TITLE	ISSUE	DATE Y-M-D	PROJ. ENG.	PROJ. MGR.	REV No	DATE (YY-MM-DD)	DESCRIPTION	DRAFTED BY	CHECKED BY	APPROVED BY	DATE	
						A		ISSUED FOR BID					

CANADIAN nexen CANADIAN NEXEN YEMEN LTD.

WATER FILTRATION SKID
20KBWPD
GENERAL ARRANGEMENT

BUS. UNIT: BUSINESS UNIT LOCATION: LOCATION SCALE: SCALE
EPC NAME: EPC NAME EPC DRAWING No.: EPC DRAWING No.
NEXEN DWG No.: NEXEN DWG No. SHEET No.: 1 OF 1 REV: A

FILE NAME:FILENAME.XXX