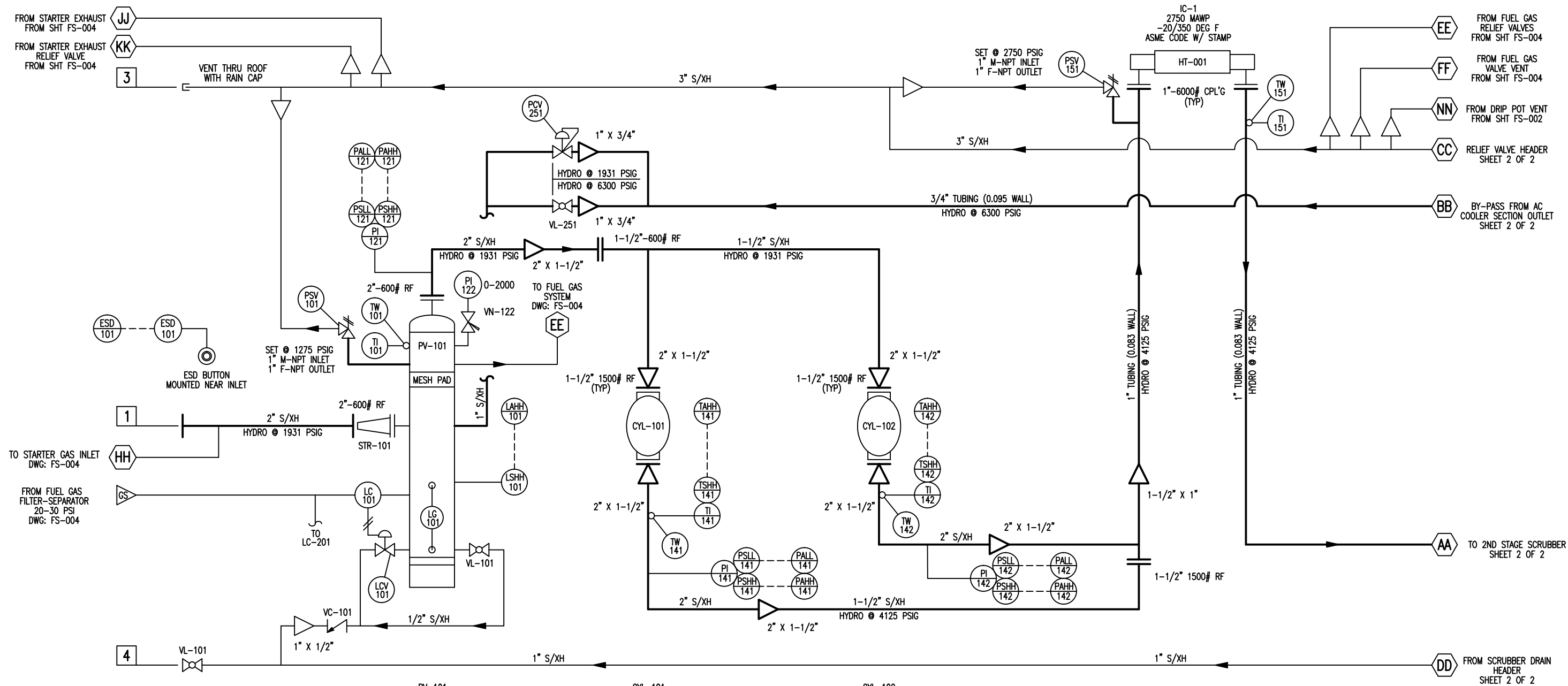


DRAWINGS





TAG NO.	QTY.	PART NO.	DESCRIPTION
STR-101	1	BS-2-600	TEMPORARY BASKET STRAINER, WEAMCO TYPE BWO, 200% FOR A 2"-600# RF FLANGE
VN-122,222	2	NV-6000-1/4-MXF	NEEDLE VALVE, 1/4" MNPT X 1/4" FNPT, P/N: NV-CS-1/4-GS-18-M-F, 6000 PSI
PCV-251	1	ACV-D-667-0S	AUTO CONTROL VALVE, FISHER, 1" NPT, D667 BODY WITH SIZE 34 ACTUATOR
VL-253	2	BV-3/4-5M-FP	BALL VALVE, 3/4" NPT, FULL PORT, 6000# WP
VL-251,252	2	BV-1-5M-FP	BALL VALVE, 1" NPT, FULL PORT, 5000# WP
VC-253	2	CV-3/4-FNPT-5000	CHECK VALVE, 3/4" FNPT, SWING TYPE, 6000# WP
VC-201	1	CV-1/2-FNPT-5000	CHECK VALVE, 1/2" FNPT, SWING TYPE, 5000# WP
VC-101	1	CV-1/2-FNPT-2000	CHECK VALVE, 1/2" FNPT, SWING TYPE, 2000# WP
VL-201	1	BV-1/2-5M-RP	BALL VALVE, KF, 1/2" NPT, REDUCED PORT, 5000# WP
VL-101	1	BV-1/2-2M-RP	BALL VALVE, KF, 1/2" NPT, REDUCED PORT, 2000# WP
LSG-201	1	GAGE-51RH	LEVEL GAGE, QUEST-TEC, P/N: 51RH, 1/2" F-NPT
LG-201	1	VALVE-1S-1/2	LEVEL GAGE VALVE, QUEST-TEC, P/N: 1S, 1/2" F-NPT GAGE X 1/2" M-NPT VESSEL
LSG-101	1	GAGE-51RL	LEVEL GAGE, QUEST-TEC, P/N: 51RL, 1/2" F-NPT
LG-101	1	VALVE-1S-1/2	LEVEL GAGE VALVE, QUEST-TEC, P/N: 1S, 1/2" F-NPT GAGE X 1/2" M-NPT VESSEL
LCV-201	1	DV-2275-1	CONTROL VALVE, NORRISEAL, P/N: 1"-2275 SN40RTV-9BA4, 1"-NPT, 4000 PSIG
LCV-101	1	DVU-150	CONTROL VALVE, MURPHY, MODEL DVU150, 1"-NPT
LSHH-201	1	LSHH-1001A-2	HIGH LEVEL SHUTDOWN, NORRISEAL, P/N: 1001A 2SM60-ERDA-BG, 2" NPT, 6000 PSIG
LSHH-101	1	L1200	HIGH LEVEL SHUTDOWN, MURPHY, MODEL L1200
LC-201	1	LC-1001A-2	LEVEL CONTROLLER, NORRISEAL, P/N: 1001A 2SM60-SRDA-BG, 2" NPT, 6000 PSIG
LC-101	1	DV-L1200NDVO	LEVEL CONTROLLER, MURPHY, MODEL L1200NDVO

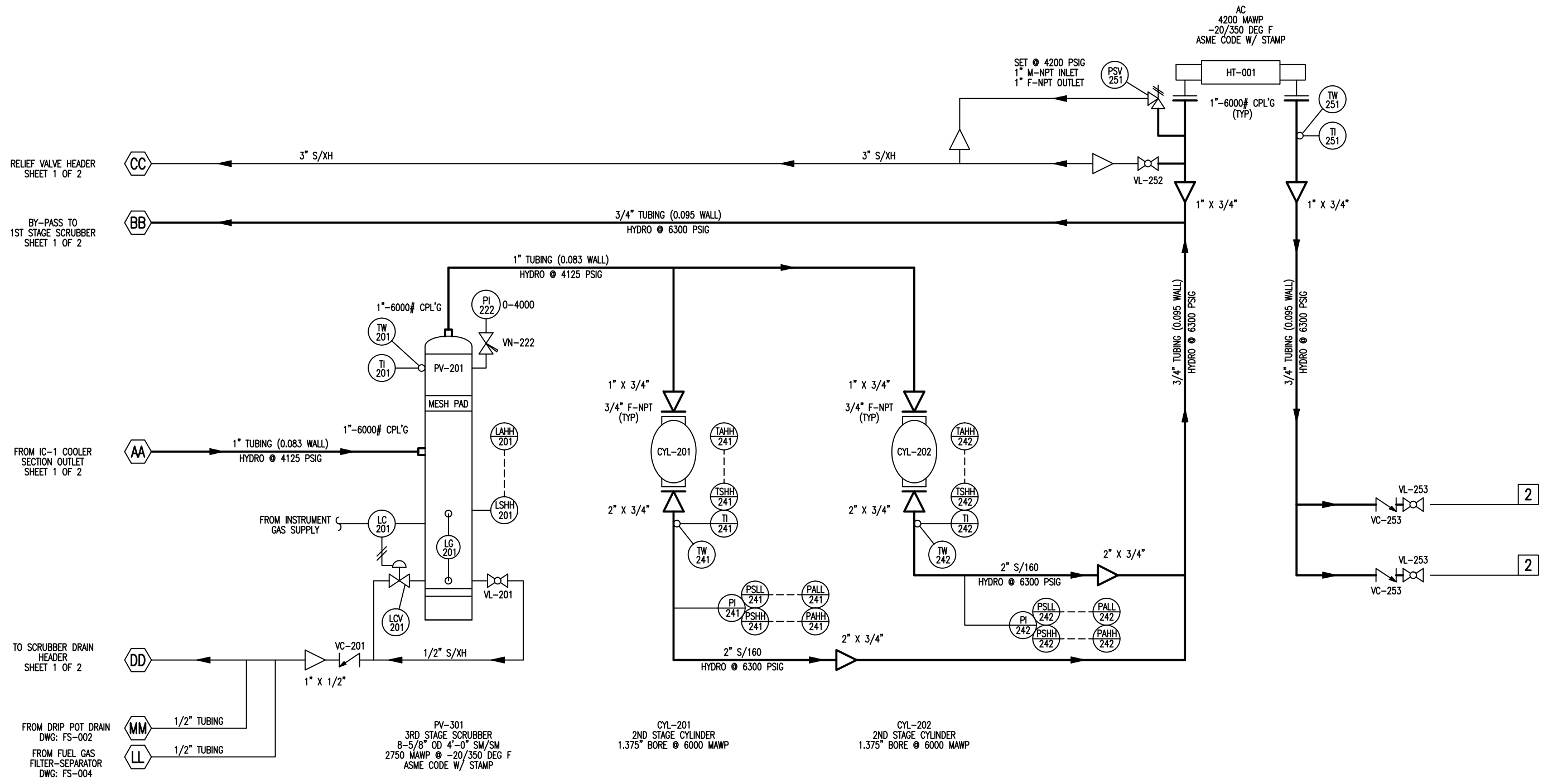
TAG NO.	QTY.	PART NO.	DESCRIPTION
PSV-251	1	RV-91-M7C61P1541	RELIEF VALVE, MERCER, P/N: 91-M7C61P1541, SET @ 4200 PSIG
PSV-151	1	RV-91-17C61P14C1	RELIEF VALVE, MERCER, P/N: 91-17C61P14C1, SET @ 2750 PSIG
PSV-101	1	RV-91-17C51T11C1	RELIEF VALVE, MERCER, P/N: 91-17C51T11C1, SET @ 1275 PSIG
TCW-141,142,241,242	4	G8-0829	THERMOCOUPLE WIRE, P/N: TYPE K, X 20'-0" LONG
TW-151,251	2	T-101-1/2-P4	THERMOWELL, TMS, 1/2" X 1/2" X 4", MATERIAL: 304 SS, P/N: T101-1/2-P4
TI-151,251	2	BR3-4-TI	TEMPERATURE INDICATOR, P/N: BR3-4-TI, 1/2" MNPT, 4" STEM, 3" DIAL, RANGE: 0/250 F/C
TW-101,201	2	T-103-3/4-P6	THERMOWELL, TMS, 1/2" X 3/4" X 6", MATERIAL: 304 SS, P/N: T103-3/4-P6
TI-101,201	2	B3B6-II	TEMPERATURE INDICATOR, P/N: B3B6-II, 1/2" MNPT, 6" STEM, 3" DIAL, RANGE: 0/250 F/C
TW-241,242	2	T-101-1/2-P3.5	THERMOWELL, TMS, 1/2" X 1/2" X 3-1/2", MATERIAL: 304 SS, P/N: T101-1/2-P3.5
TW-141,142	2	T-101-1/2-P4	THERMOWELL, TMS, 1/2" X 1/2" X 4", MATERIAL: 304 SS, P/N: T101-1/2-P4

SCHEDULE OF OPENINGS					
MARK	QTY	SIZE	RATING	TYPE	SERVICE
1	1	2"	600#	RF	UNIT INLET
2	1	3/4"	6000#	NPT	UNIT OUTLET
3	1	3"	PIPING	STUB	PROCESS GAS RELIEF VALVE/BLOWDOWN HEADER
4	1	1"	3000#	NPT	SCRUBBER DRAIN HEADER
5	1	1"	3000#	NPT	ENGINE AND COMPRESSOR OIL DRAIN HEADER
6	1	1"	3000#	NPT	ENGINE AND COMPRESSOR OIL MAKE-UP HEADER
7	1	6"	PIPING	STUB	ENGINE EXHAUST
8	1	1"	3000#	NPT	COMPRESSOR HOT OIL CIRCULATION INLET (IF REQ'D.)
9	1	1"	3000#	NPT	COMPRESSOR HOT OIL CIRCULATION OUTLET (IF REQ'D.)
10	1	1"	3000#	NPT	ENGINE HOT OIL CIRCULATION INLET (IF REQUIRED)
11	1	1"	3000#	NPT	ENGINE HOT OIL CIRCULATION OUTLET (IF REQUIRED)
12	1	1/2"	3000#	NPT	ENGINE RADIATOR DRAIN

BILL OF MATERIALS			
TAG NO.	QTY.	PART NO.	DESCRIPTION
UNLESS OTHERWISE SPECIFIED: DIMENSIONS ARE IN INCHES. BREAK SHARP CORNERS .010-.030. SHEET METAL FABRICATION TOLERANCES PER S-8410. CONCENTRICITY (TLR) OF ANY TWO MACHINED DIAMETERS AROUND A COMMON AXIS SHALL BE WITHIN 1/2 THE SUM OF THE TOTAL TOLERANCES ON THOSE DIAMETERS.			
THIS PRINT PROPERTY OF ARROW ENGINE COMPANY AND MUST NOT BE REPRODUCED OR USED IN ANY MANNER DETRIMENTAL TO INTEREST OF SAID COMPANY.			
DRILL HOLE TOLERANCES UNLESS OTHERWISE NOTED NO. 30 TO NO. 1 DIA. +.003 - .000 1/4 TO 1/2 DIA. +.004 - .000 1/2 TO 3/4 DIA. +.005 - .000 3/4 TO 1 DIA. +.007 - .000 1 TO 2 DIA. +.010 - .000			
AS-BUILT			
REV	CHANGE DESCRIPTION	BY	DATE
DMV	1-15-13	DMV	

BILL OF MATERIALS

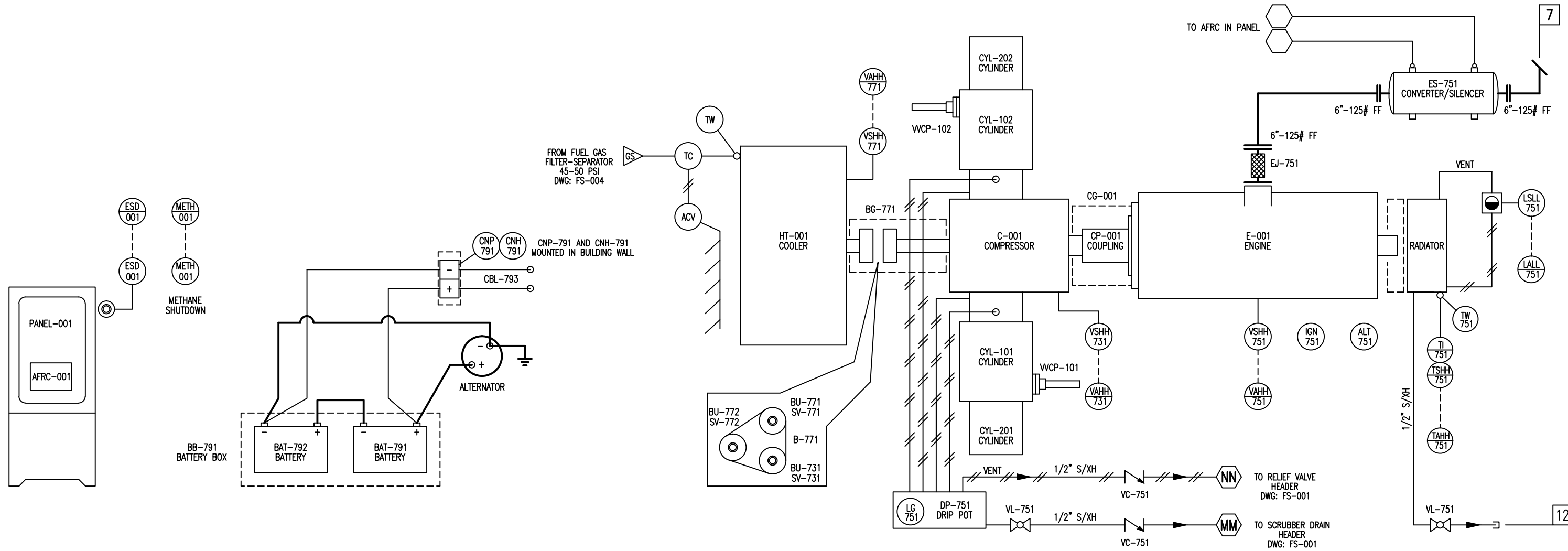
CUSTOMER: OSCOMP SYSTEMS			
JOB NO.: 10275			
REV. NO.			
TULSA, OKLAHOMA			
TITLE: PROCESS GAS SYSTEM			
DRAWN:	SCALE:	MATERIAL:	NOTED:
DMV	NONE		
CHK'D:	DATE:	APP'D. DATE:	DRAWING NO.:
DMV	11-15-12		FS-001
E.C.R. NO.:	APP'D.:	APP'D. DATE:	SHEET 1 OF 2
*	*	*	



TAG NO.	QTY.	PART NO.	DESCRIPTION
PV-201	1	SC8X48CX-2750-0S	2ND STAGE SCRUBBER, 8-5/8" OD X 4'-0" SM/SM, 2750 MAWP @ -20/350 DEG F
PV-101	1	SC08X68CX-1287-0S	1ST STAGE SCRUBBER, 8-5/8" OD X 4'-0" SM/SM, 1287 MAWP @ -20/350 DEG F
PI-222	1	BR201L-254Q	PRESSURE GAUGE, 1/4" MNPT, P/N: BR201L-254Q, 2.5" DIAL, 1/4NPTLM, 0-4000 PSI/KPA/BAR
PI-122	1	BR201L-254O	PRESSURE GAUGE, 1/4" MNPT, P/N: BR201L-254O, 2.5" DIAL, 1/4NPTLM, 0-2000 PSI/KPA/BAR
TI-242/TSHH-242	1	*	TEMPERATURE SWITCHGAGE TO MURPHY PANEL, MODEL TDXM
TI-241/TSHH-241	1	*	TEMPERATURE SWITCHGAGE TO MURPHY PANEL, MODEL TDXM
TI-142/TSHH-142	1	*	TEMPERATURE SWITCHGAGE TO MURPHY PANEL, MODEL TDXM
TI-141/TSHH-141	1	*	TEMPERATURE SWITCHGAGE TO MURPHY PANEL, MODEL TDXM
PI-242/PSHH-242	1	*	PRESSURE SWITCHGAGE IN MURPHY PANEL, OPLFC-S-5000
PI-241/PSHH-241	1	*	PRESSURE SWITCHGAGE IN MURPHY PANEL, OPLFC-S-5000
PI-142/PSHH-142	1	*	PRESSURE SWITCHGAGE IN MURPHY PANEL, OPLFC-S-5000
PI-141/PSHH-141	1	*	PRESSURE SWITCHGAGE IN MURPHY PANEL, OPLFC-S-5000
PI-121/PSLL-121	1	*	PRESSURE SWITCHGAGE IN MURPHY PANEL, OPLFC-S-2000

BILL OF MATERIALS

UNLESS OTHERWISE SPECIFIED: DIMENSIONS ARE IN INCHES. BREAK SHARP CORNERS .010-.030. SHEET METAL FABRICATION TOLERANCES PER S-8410. CONCENTRICITY (T.L.R.) OF ANY TWO MACHINED DIAMETERS AROUND A COMMON AXIS SHALL BE WITHIN 1/2 THE SUM OF THE TOTAL TOLERANCES ON THOSE DIAMETERS.		REF. NO.:	MODEL:	CUSTOMER: OSCOMP SYSTEMS	
THIS PRINT PROPERTY OF ARROW ENGINE COMPANY AND MUST NOT BE REPRODUCED OR USED IN ANY MANNER PERJURIAL TO INTEREST OF SAID COMPANY.		ARROW GAS DIV.		JOB NO.: 10275	
DRILL HOLE TOLERANCES UNLESS OTHERWISE NOTED NO. 30 TO NO. 1 DIA. +.003 - .000 1/4 TO 1/2 DIA. +.004 - .000 1/2 TO 3/4 DIA. +.005 - .000 3/4 TO 1 DIA. +.007 - .000 1 TO 2 DIA. +.010 - .000		FRAC: (BY) (DATE) (BY) (E.C.R.)		REV. NO.	
UNLESS OTHERWISE SPECIFIED: FRACTIONAL: ± .010 ANGULAR: MACH ± 1/2° X ± .000 XX ± .030 XXX ± .010 SURFACE FINISH: 125 A		TITLE: PROCESS GAS SYSTEM		TULSA, OKLAHOMA	
DRAWN: DMV		SCALE: NONE		MATERIAL: NOTED	
CHK'D: DMV		DATE: 11-15-12		DRAWING NO. FS-001	
E.C.R. NO. *		APP'D: *		SHEET 2 OF 2	



TAG NO.	QTY.	PART NO.	DESCRIPTION	TAG NO.	QTY.	PART NO.	DESCRIPTION
TCW-751	1	G8-0830	THERMOCOUPLE WIRE, P/N: TYPE K, X 20'-0" LONG				
TW-751	1	T-101-1/2-P3.5	THERMOWELL, TMS, 1/2" X 1/2" X 3-1/2", MATERIAL: 304 SS, P/N: T101-1/2-P3.5				
TI-751/TSHH-751	1	*	TEMPERATURE SWITCHGAGE TO MURPHY PANEL, MODEL TDXM	*	1	BRACKET-LWHB	BRACKET, FEDERAL SIGNAL, WALL MOUNT
LSLL-751	1	EL-150EX	LEVEL SWITCH, MURPHY, PART NUMBER: EL150EX	*	1	LTH-151XST	LIGHT, FEDERAL SIGNAL, MODEL: 151XST-012-024R, 24VDC
*	1	ESD-BUTTON	ESD BUTTON, MODEL: PBO/PPMCRD/LRNC	*	2	SWCH-EDS2190	SWITCH, ON-OFF PUSHBUTTON, 24VDC, 3/4" NPT DEAD HEAD
*	1	ENCLOSURE-DC1	ENCLOSURE, MODEL: DC1	*	4	LTH-V2LCHF2/DC	LIGHT, VAPORGARD-LED, CATALOG NUMBER: V2LCHF2/DC, 24VDC, 3/4" CEILING MOUNT
VL-751	2	BV-1/2-2M-RP	BALL VALVE, KF, 1/2" NPT, REDUCED PORT, 2000# WP	*	1	ENCLOSURE-209X110X108	BUILDING, GEN SET ENCLOSURE WITH WALLS, ROOF, DOORS AND LOUVERS, 209" LONG X 110" WIDE X 108" TALL
LG-751	1	VRC21400	LEVEL GAUGE, GITS MFG CO, 1" NPT, PART NUMBER: 04054	METH-001	1	NS-M2B-R-A	SENSOR, MILLENNIUM II FOR METHANE DETECTION, MODEL M2B-R-A RELAY, NET SAFTY
DP-751	1	CUSTOM BUILT	DRIP POT - SHOP FABRICATED	PANEL-001	1	CP-MUR-2STG-OS	PANEL, MURPHY, 2-STAGE, PART NUMBER: 50-30-9542
B-771	2	BELT-B76	BELTS, B-76	VSHH-721,731,771	3	VS-2EX	VIBRATION SWITCH, MURPHY, MODEL VS-2EX, EXPLOSION PROOF
CG-001	1	COUPLING-GUARD	CUSTOM COUPLING GUARD - FABRICATED	VC-751	2	CV-1/2-NPT-2000	CHECK VALVE, 1/2" NPT, SWING TYPE, 2000# WP
BG-771	1	BELT-GUARD	CUSTOM BELT GUARD - FABRICATED	CBL-793	1	16' CABLE-CPAC	CABLE, 16 FEET LONG
SV-772	1	SHEAVE-2-B-6.20-QD	IDLER SHEAVE, B-GROOVE, 6.55" OD, DESCRIPTION: 2A5.8B6.2-SDS, P/N: 455590	CNP-791	1	AES-72	CANNON PLUG
SV-771	1	SHEAVE-2-B-13.6-QD	COOLER SHEAVE, B-GROOVE, 13.95" OD, DESCRIPTION: 2A13.2B13.6-SK, P/N: 455601	CNH-791	1	AES-72-1	CANNON HOUSING
SV-731	1	SHEAVE-2B-7.4-QD	DRIVE SHEAVE, B-GROOVE, 7.75" OD, DESCRIPTION: 2A7.0B7.4-SK, P/N: 455595	LUG-792	1	BATT-TERM-728560N	LUG, NEGATIVE
BU-772	1	BUSH-SDSX17/16-QD	IDLER SHEAVE BUSHING, DODGE QD, SIZE: SDS, BORE: 1-7/16", KEYWAY: 3/8"x3/16", P/N: 120403	LUG-791	1	BATT-TERM-728559P	LUG, POSITIVE
BU-771	1	BUSH-SK-17/16-QD	COOLER SHEAVE BUSHING, DODGE QD, SIZE: SK, BORE: 1-7/16", KEYWAY: 3/8"x3/16", P/N: 120428	TERM-792	1	BATT-BL-3/8	TERMINAL, 1/0, 3/8"
BU-731	1	BUSH-SK-17/16-QD	DRIVE SHEAVE BUSHING, DODGE QD, SIZE: SK, BORE: 1-7/16", KEYWAY: 3/8"x3/16", P/N: 120428	TERM-791	1	BATT-BL-1/2	TERMINAL, 1/0, 1/2"
EJ-751	1	EJ-6XCATX12	EXPANSION JOINT, 6"-125# FF X 5" CATERPILLAR FLANGE, CARBON STEEL, X 12" LONG	CBL-792	1	BATT-CBL-1-B	CABLE - BLACK FOR 1/0 WIRE X 120" LONG
AFRC-001	1	AFRC-ENG-S-125-TA	AIR FUEL RATIO CONTROLLER, EMIT MODEL EDGE NG, MODEL ENG-S-125-TA, MOUNTED IN PANEL	CBL-791	1	BATT-CBL-1-R	CABLE - RED FOR 1/0 WIRE X 120" LONG
ES-751	1	CC-EAS-1450T-0606F-21CEE	CONVERTER/SILENCER, EMIT PART NUMBER: EAS-1450T-0606F-21CEE	BAT-791,792	2	BATT-7237	BATTERY, NAPA, P/N: 7237, 12 VOLT, 910CA/760CCA
HT-001	1	CP-CLR-42M-120449	COOLER, AXH AIR COOLERS, MODEL 42WI, FURNISHED WITH AUTO LOUVERS	BB-791	1	BATT-BOX-15X15X11	BATTERY BOX - FABRICATED
IGN-751	1	SHD-IGN-CAT 3306	SHELIDED IGNITION FOR A CATERPILLAR G3406 NA/TA ENGINE				
ALT-751	1	24V ALT EP	EXPLOSION PROOF ALTERNATOR FOR ENGINE				
E-001	1	3406NA	ENGINE, CATERPILLAR G3406NA (215 BHP @ 1800 RPM)				
CP-001	1	SP350-CMR	COUPLING, REXNORD 350 CMR, CARBON STEEL HUBS, TOMALOY DISC PACK				
TBOX-001	1	VRC29400C	TOOL BOX, COMPRESSOR				
STUB-731	1	VRC21150	STUB SHAFT, COMPRESSOR				
CYL-201,202	2	VRC2140A	2ND STAGE CYLINDER, ARROW 1.375" BORE @ 6000 MAWP				
CYL-101,102	2	VRC25230A	1ST STAGE CYLINDER WITH (WCP-101,102), ARROW 2.50" BORE @ 2750 MAWP				
C-001	1	VRC1020A	COMPRESSOR, ARROW MODEL VRC-2, 3" STROKE, 150 HP @ 1800 RPM				

BILL OF MATERIALS

UNLESS OTHERWISE SPECIFIED:
DIMENSIONS ARE IN INCHES. BREAK SHARP CORNERS .010-.030. SHEET METAL FABRICATION TOLERANCES PER S-8410. CONCENTRICITY (TLR) OF ANY TWO MACHINED DIAMETERS AROUND A COMMON AXIS SHALL BE WITHIN 1/2 THE SUM OF THE TOTAL TOLERANCES ON THOSE DIAMETERS.

THIS PRINT PROPERTY OF
ARROW ENGINE COMPANY
AND MUST NOT BE REPRODUCED OR
USED IN ANY MANNER WITHOUT
THE WRITTEN PERMISSION OF
ARROW ENGINE COMPANY.

DRILL HOLE TOLERANCES
UNLESS OTHERWISE NOTED
NO. 30 TO NO. 1 DIA. +.003 - .000
1/4 TO 1/2 DIA. +.004 - .000
1/2 TO 3/4 DIA. +.005 - .000
3/4 TO 1 DIA. +.007 - .000
1 TO 2 DIA. +.010 - .000

AS-BUILT

REF. NO.

MODEL:

ARROW GAS DIV.



TULSA, OKLAHOMA

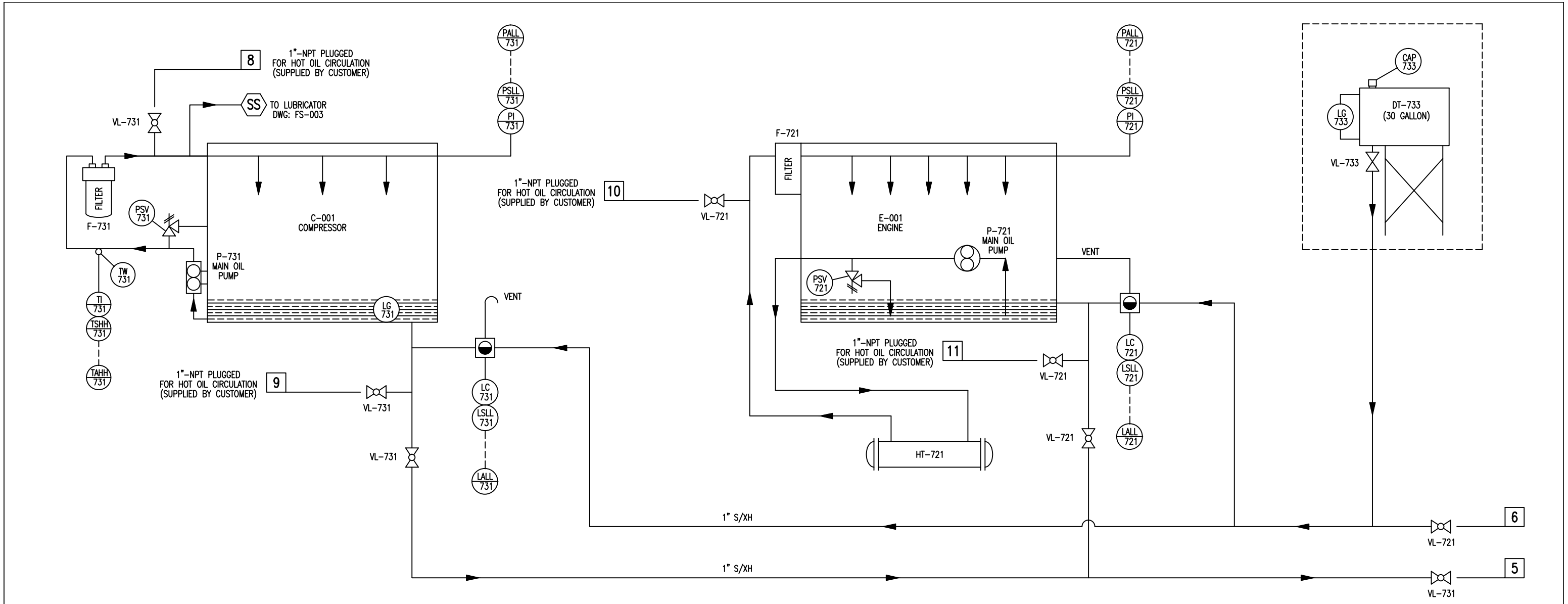
TITLE:
MAJOR EQUIPMENT SYSTEM

DRAWN: DMV SCALE: NONE MATERIAL: NOTED

CHK'D: DMV DATE: 11-15-12 DRAWING NO.

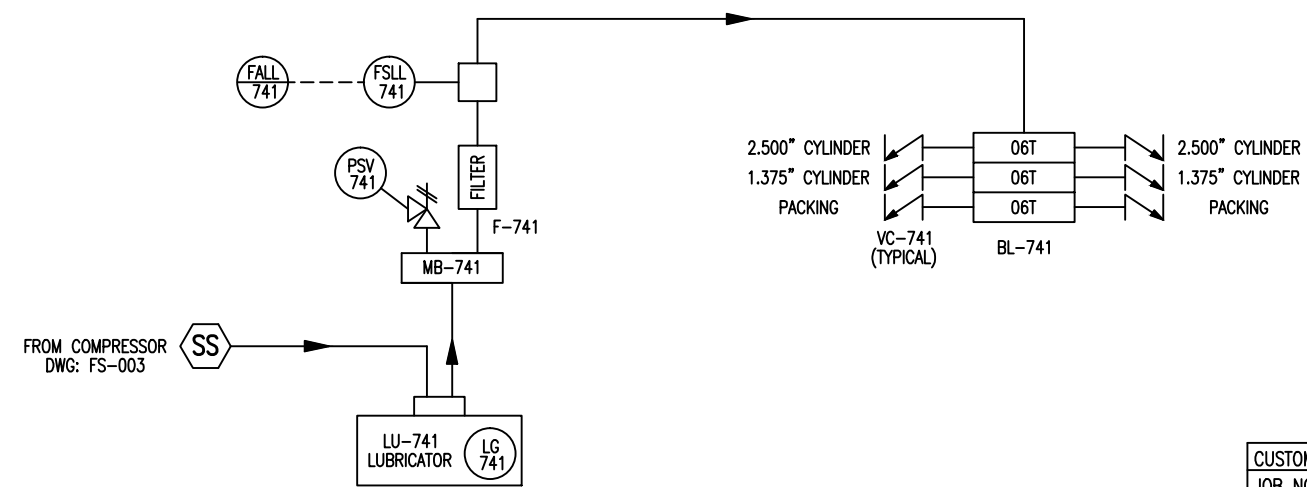
E.C.R. NO.: * APP'D: * APP'D DATE: * FS-002

SHEET 1 OF 1



VC-741	6	*	CHECK VALVE - FURNISHED WITH COMPRESSOR
PSV-741	1	*	RELIEF VALVE - FURNISHED WITH COMPRESSOR
MB-741	1	*	MANIFOLD BAR - FURNISHED WITH COMPRESSOR
FSLL-741	1	O-PF1-CCT-D	NO-FLOW MONITOR, PROFLO JR
F-741	1	*	FILTER - FURNISHED WITH COMPRESSOR
BL-741	1	*	BLOCK ASSEMBLY - FURNISHED WITH COMPRESSOR
LG-741	1	*	LEVEL GAUGE - FURNISHED WITH COMPRESSOR
LU-741	1	*	LUBRICATOR - FURNISHED WITH COMPRESSOR
DT-733	1	30G36V	TANK, DAY, KENCO, 30 GALLON SUPPLIED WITH FILL CAP, LEVEL GAUGE AND DRAIN VALVE
TCW-731	1	G8-0829	THERMOCOUPLE WIRE, P/N: TYPE K, X 20'-0" LONG
TW-731	1	T-101-1/2-P4	THERMOWELL, TMS, 1/2" X 1/2" X 4", MATERIAL: 304 SS, P/N: T101-1/2-P4
TI-731/TSHH-731	1	*	TEMPERATURE SWITCHGAGE, RANGE: 130/250 DEG F, FURNISHED WITH PANEL
VL-731	4	BV-1-2M-RP	BALL VALVE, KF, 1" NPT, REDUCED PORT, 2000# WP
PSV-731	1	*	RELIEF VALVE - FURNISHED WITH COMPRESSOR
P-731	1	*	PUMP - FURNISHED WITH COMPRESSOR
F-731	1	*	FILTER - FURNISHED WITH COMPRESSOR
PI-731/PSLL-731	1	*	PRESSURE SWITCHGAGE, RANGE: 0-100 PSIG, FURNISHED WITH PANEL
LG-731	1	*	OIL LEVEL GAUGE - FURNISHED WITH COMPRESSOR
LC-731/LSLL-731	1	LM301-EX	OIL LEVEL REGULATOR, MURPHY, LM-301EX W/ PIPE BRACKET KIT
VL-721	4	BV-1-2M-RP	BALL VALVE, KF, 1" NPT, REDUCED PORT, 2000# WP
PSV-721	1	*	RELIEF VALVE - FURNISHED WITH ENGINE
P-721	1	*	PUMP - FURNISHED WITH ENGINE
HT-721	1	*	COOLER - FURNISHED WITH ENGINE
F-721	1	*	FILTER - FURNISHED WITH ENGINE
PI-721/PSLL-721	1	*	PRESSURE SWITCHGAGE, RANGE: 0-100 PSIG, FURNISHED WITH PANEL
LC-721/LSLL-721	1	LM301-EX	OIL LEVEL REGULATOR, MURPHY, LM-301EX W/ PIPE BRACKET KIT
TAG NO.	QTY.	PART NO.	DESCRIPTION

BILL OF MATERIALS

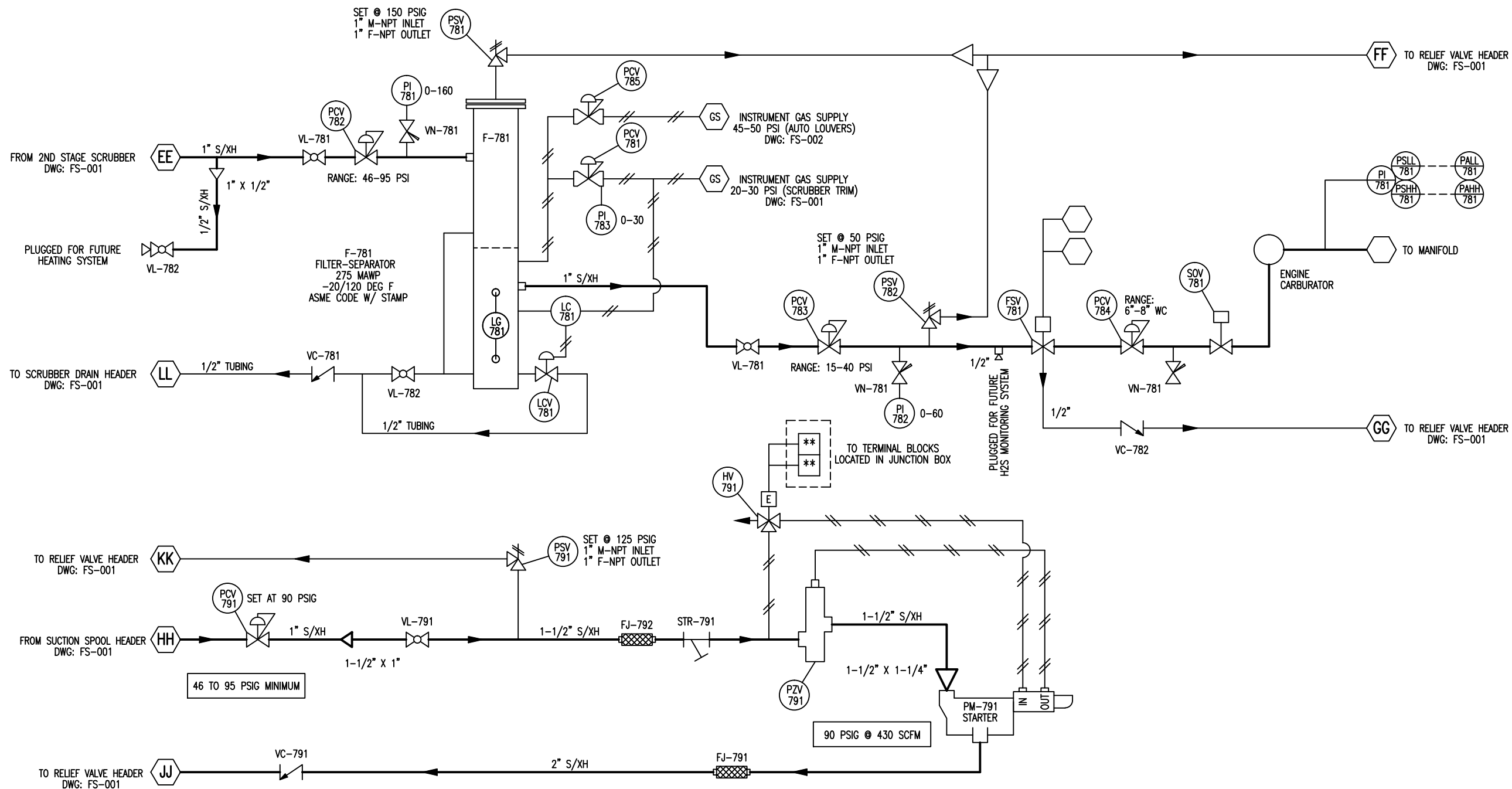


UNLESS OTHERWISE SPECIFIED:
DIMENSIONS ARE IN INCHES. BREAK SHARP CORNERS .010-.030. SHEET METAL FABRICATION TOLERANCES PER S-8410. CONCENTRICITY (TLR) OF ANY TWO MACHINED DIAMETERS AROUND A COMMON AXIS SHALL BE WITHIN 1/2 THE SUM OF THE TOTAL TOLERANCES ON THOSE DIAMETERS.

THIS PRINT PROPERTY OF ARROW ENGINE COMPANY AND MUST NOT BE REPRODUCED OR USED IN ANY MANNER PERJURIAL TO THE INTEREST OF SAID COMPANY.	 DRILL HOLE TOLERANCES UNLESS OTHERWISE NOTED NO. 30 TO NO. 1 DIA. +.003 - .000 1/4 TO 1/2 DIA. +.004 - .000 1/2 TO 3/4 DIA. +.005 - .000 3/4 TO 1 DIA. +.007 - .000 1 TO 2 DIA. +.010 - .000	REV	CHANGE DESCRIPTION	BY	DATE	CHD	E.C.R. NO.
		* *					

CUSTOMER: OSCOMP SYSTEMS
JOB NO.: 10275
REV. NO.

ARROW GAS DIV.		TULSA, OKLAHOMA	
TITLE: ENGINE, COMPRESSOR AND LUBRICATOR OIL SYSTEM			
DRAWN: DMV	SCALE: NONE	MATERIAL: NOTED	
CHK'D: DMV	DATE: 11-15-12	DRAWING NO.	
E.C.R. NO. *	APP'D: *	APP'D DATE: *	FS-003 SHEET 1 OF 1



TAG NO.	QTY.	PART NO.	DESCRIPTION
VC-782	1	CV-1/2-NPT-2000	CHECK VALVE, 1/2" NPT, SWING TYPE, 2000# WP
SOV-781	1	*	SOLENOID VALVE, EMIT, FURNISHED WITH P/N: AFR-A54
FSV-781	1	M2582B	FUEL SHUTOFF VALVE, MURPHY, P/N: M2582B, 1" NPT CONNECTION
PI-781/PSLL/PSHH-781	1	*	PRESSURE SWITCHGAGE, RANGE: 0-30 IN. Hg. VACUUM, FURNISHED WITH PANEL
VN-781	3	NV-6000-1/4-MXF	NEEDLE VALVE, 1/4" MNPT X 1/4" FNPT, P/N: NV-CS-1/4-GS-18-M-F, 6000 PSI
VC-781	1	CV-1/2-NPT-2000	CHECK VALVE, 1/2" NPT, SWING TYPE, 2000# WP
VL-782	2	BV-1/2-2M-RP	BALL VALVE, KF, 1/2" NPT, REDUCED PORT, 2000# WP
VL-781	2	BV-1-2M-RP	BALL VALVE, KF, 1" NPT, REDUCED PORT, 2000# WP
PI-783	1	BR201L-254C	PRESSURE GAUGE, 1/4" MNPT, P/N: BR201L-254C, 2.5" DIAL, 1/4NPTLM, 0-30 PSI/KPA/BAR
PI-782	1	BR201L-254D	PRESSURE GAUGE, 1/4" MNPT, P/N: BR201L-254D, 2.5" DIAL, 1/4NPTLM, 0-60 PSI/KPA/BAR
PI-781	1	BR201L-254F	PRESSURE GAUGE, 1/4" MNPT, P/N: BR201L-254F, 2.5" DIAL, 1/4NPTLM, 0-160 PSI/KPA/BAR
PSV-782	1	RV-91-17D51V05E1	RELIEF VALVE, MERCER, P/N: 91-17D51V05E1, SET @ 50 PSIG, SPRG: 41-75
PSV-781	1	RV-91-17D51V07E1	RELIEF VALVE, MERCER, P/N: 91-17D51V07E1, SET @ 150 PSIG, SPRG: 121-230
PCV-784	1	*	REGULATOR, FISHER CONTROLS, FURNISHED W/ ENGINE
PCV-783	1	REG-1PR-2S25S	REGULATOR, WELLMARK "MIGHTY GUN" MODEL 1PR-2S25S, 1" NPT, MAT'L: SS/B, 1/4" ORIF, SPRG: 15-40 PSI
PCV-782,791	2	REG-1HS-2S25S	REGULATOR, WELLMARK "TOP GUN" MODEL 1HS-2S25N, 1" NPT, MAT'L: SS, 1/4" ORIF, SPRG: 46-95 PSI
PCV-781,785	2	300-BA	REGULATOR, AIR CONTROL INC, P/N: 300BA, 1/4" NPT, WITH 0-30 PSI PRESSURE GAUGE
LSG-781	1	HWG-5/8X24	LEVEL SIGHT GLASS, HD, P/N: HWG-5/8X24
LG-781	1	GW-KTV50-SS-B-250-150NS	LEVEL GAUGE COCKS, KENCO, P/N: KTV 50-SS-B-250-150-NS
LCV-781	1	DVU-150	CONTROL VALVE, MURPHY, MODEL DVU150
LC-781	1	DV-L1200NDVO	LEVEL CONTROLLER, MURPHY, MODEL L1200NDVO
F-781	1	C6X52CX	FILTER-SEPARATOR - SHOP FABRICATED

BILL OF MATERIALS

TAG NO.	QTY.	PART NO.	DESCRIPTION
PSV-791	1	RV-91-17E51V0911	RELIEF VALVE, MERCER, P/N: 91-17E51V0911, SET @ 125 PSIG
FJ-792	1	HOSE-METAL-1.5X18	HOSE, BRAIDED METAL, 1-1/2" NPT BOTH ENDS X 18" LONG
FJ-791	1	HOSE-METAL-2X18	HOSE, BRAIDED METAL, 2" NPT BOTH ENDS X 18" LONG
VC-791	1	CV-2-NPT-1500	CHECK VALVE, 2" NPT, SWING TYPE, 1500# WP
HV-791	1	SOV-EF8320G184	SOLENOID VALVE, ASCO P/N: EF8320G184 24VDC, 1/4" NPT WITH 3/32" ORIFICE
PZV-791	1	SRV-150-SS	VALVE RELAY, INGERSOLL-RAND, MODEL SRV-150-SS, 1-1/2" NPT
STR-791	1	S-861-11/2	STAINER, MUESCO "Y" TYPE, MODEL 861, 1-1/2" NPT, 0.033" PERFORATIONS
VL-791	1	BV-11/2-2M-RP	VALVE BALL, 1-1/2" NPT, REGULAR PORT, 1500 PSIG WOG
PM-791	1	STR-150TMPF	STARTER, TURBINE, INGERSOLL-RAND PART NUMBER: 150TMPF88R54020

BILL OF MATERIALS

UNLESS OTHERWISE SPECIFIED: DIMENSIONS ARE IN INCHES. BREAK SHARP CORNERS .010-.030. SHEET METAL FABRICATION TOLERANCES PER S-8410. CONCENTRICITY (TLR) OF ANY TWO MACHINED DIAMETERS AROUND A COMMON AXIS SHALL BE WITHIN 1/2 THE SUM OF THE TOTAL TOLERANCES ON THOSE DIAMETERS.

THIS PRINT PROPERTY OF ARROW ENGINE COMPANY AND MUST NOT BE REPRODUCED OR USED IN ANY MANNER WITHOUT THE INTEREST OF SAID COMPANY.

DRILL HOLE TOLERANCES UNLESS OTHERWISE NOTED
NO. 30 TO NO. 1 DIA. +.003 - .000
1/4 TO 1/2 DIA. +.004 - .000
1/2 TO 3/4 DIA. +.005 - .000
3/4 TO 1 DIA. +.007 - .000
1 TO 2 DIA. +.010 - .000

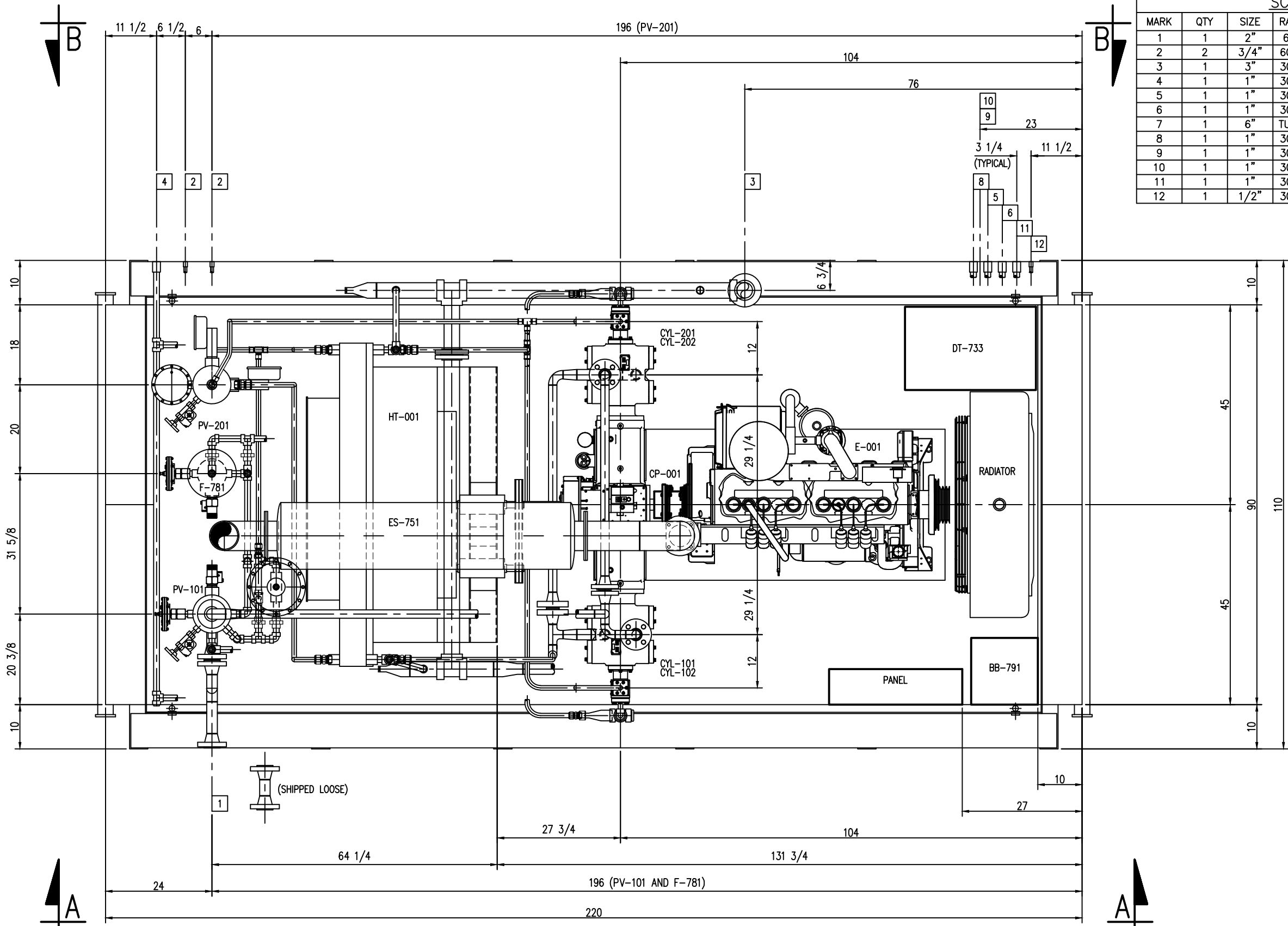
REV	CHANGE DESCRIPTION	BY	DATE	CHKD	E.C.R. NO.

REF. NO.	
MODEL:	ARROW GAS DIV.
FRACTIONAL: ± .010	
ANGULAR: MACH ± 1/2°	
X ± .000	
XX ± .030	
XXX ± .010	
SURFACE FINISH: 125 A	

CUSTOMER: OSCOMP SYSTEMS			
JOB NO.: 10275			
REV. NO.			
ARROW TULSA, OKLAHOMA			
TITLE: FUEL AND STARTER SYSTEM			
DRAWN: DMV	SCALE: NONE	MATERIAL: NOTED	DRAWING NO.
CHK'D: DMV	DATE: 11-15-12		FS-004
E.C.R. NO.:	APP'D:	APP'D DATE:	SHEET 1 OF 1

SCHEDULE OF OPENINGS

MARK	QTY	SIZE	RATING	TYPE	SERVICE
1	1	2"	600#	RF	UNIT INLET
2	2	3/4"	6000#	NPT	UNIT OUTLET
3	1	3"	3000#	STUB	PROCESS GAS RELIEF VALVE/BLOWDOWN HEADER
4	1	1"	3000#	NPT	SCRUBBER DRAIN HEADER
5	1	1"	3000#	NPT	ENGINE AND COMPRESSOR OIL DRAIN HEADER
6	1	1"	3000#	NPT	ENGINE AND COMPRESSOR OIL MAKE-UP HEADER
7	1	6"	TUBING	STUB	ENGINE EXHAUST
8	1	1"	3000#	NPT	COMPRESSOR HOT OIL CIRCULATION INLET (IF REQ'D.)
9	1	1"	3000#	NPT	COMPRESSOR HOT OIL CIRCULATION OUTLET (IF REQ'D.)
10	1	1"	3000#	NPT	ENGINE HOT OIL CIRCULATION INLET (IF REQUIRED)
11	1	1"	3000#	NPT	ENGINE HOT OIL CIRCULATION OUTLET (IF REQUIRED)
12	1	1/2"	3000#	NPT	ENGINE RADIATOR DRAIN



MAJOR COMPONENTS	
COMPRESSOR: VRC-2-2	ENGINE: CATERPILLAR G3406NA
CYLINDER: 2.500" DIA BORE	COUPLING: REXNORD CMR 350
CYLINDER: 2.500" DIA BORE	COOLER: AXH COOLER, MODEL 42W1
CYLINDER: 1.375" DIA BORE	PANEL: MURPHY 50-30-9542
CYLINDER: 1.375" DIA BORE	

UNLESS OTHERWISE SPECIFIED: DIMENSIONS ARE IN INCHES. BREAK SHARP CORNERS .010-.030. SHEET METAL FABRICATION TOLERANCES PER S-8410. CONCENTRICITY (T.I.R.) DIMENSIONS ARE IN INCHES. DIMENSIONS OF ANY TWO MACHINED DIAMETERS AROUND A COMMON AXIS SHALL BE WITHIN 1/2 THE SUM OF THE TOTAL TOLERANCES ON THOSE DIAMETERS.											
<p>THIS PRINT PROPERTY OF ARROW ENGINE COMPANY AND MUST NOT BE REPRODUCED OR USED IN ANY MANNER DETRIMENTAL TO INTEREST OF SAID COMPANY.</p>	<p>DRILL HOLE TOLERANCES UNLESS OTHERWISE NOTED</p> <table border="0"> <tr> <td>NO. 30 TO NO. 1</td> <td>DIAM. +.003 - .000</td> </tr> <tr> <td>1/4 TO 1/2</td> <td>DIAM. +.004 - .000</td> </tr> <tr> <td>1/2 TO 3/4</td> <td>DIAM. +.005 - .000</td> </tr> <tr> <td>3/4 TO 1</td> <td>DIAM. +.007 - .000</td> </tr> <tr> <td>1 TO 2</td> <td>DIAM. +.010 - .000</td> </tr> </table>	NO. 30 TO NO. 1	DIAM. +.003 - .000	1/4 TO 1/2	DIAM. +.004 - .000	1/2 TO 3/4	DIAM. +.005 - .000	3/4 TO 1	DIAM. +.007 - .000	1 TO 2	DIAM. +.010 - .000
NO. 30 TO NO. 1	DIAM. +.003 - .000										
1/4 TO 1/2	DIAM. +.004 - .000										
1/2 TO 3/4	DIAM. +.005 - .000										
3/4 TO 1	DIAM. +.007 - .000										
1 TO 2	DIAM. +.010 - .000										

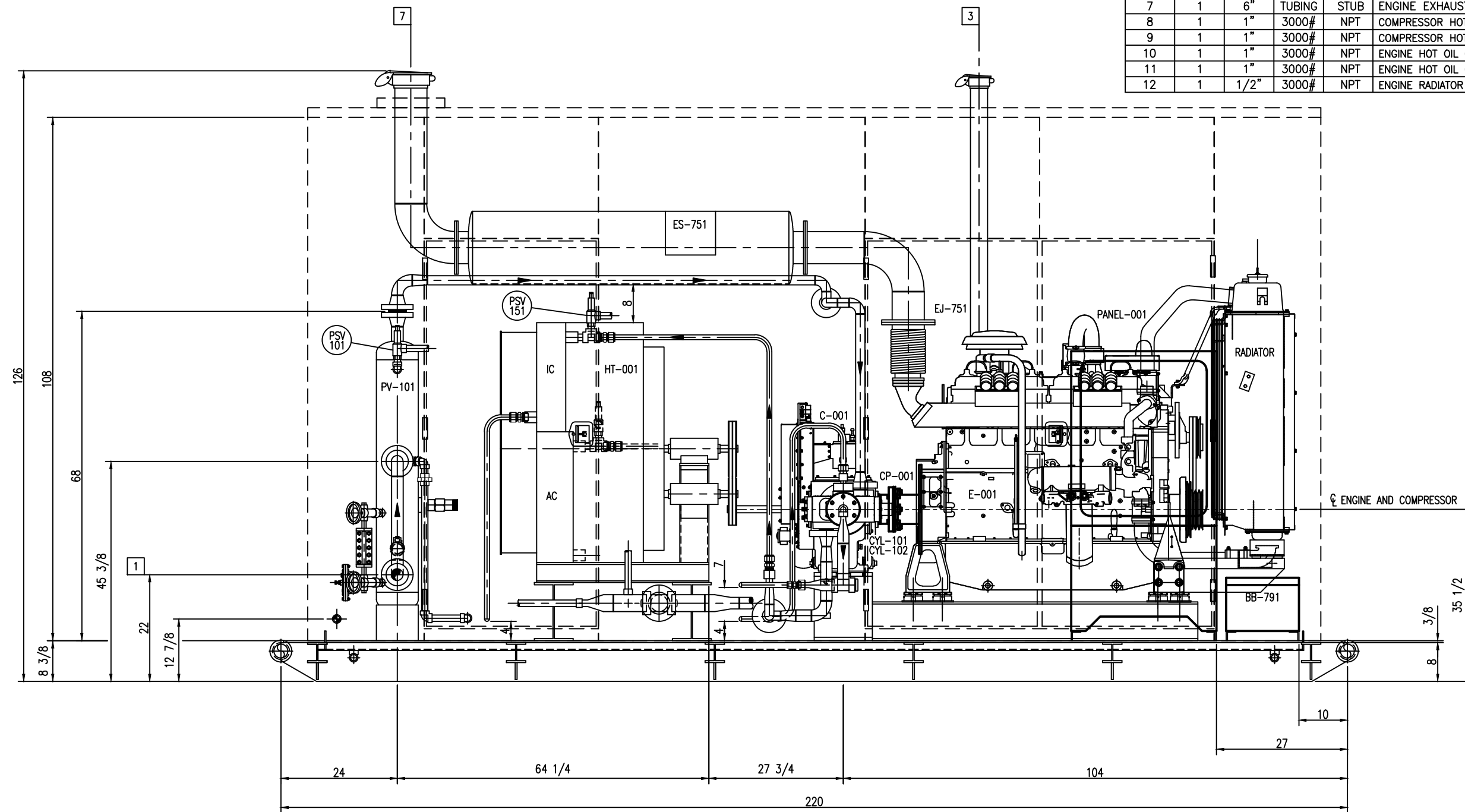
REF. NO.	MODEL
	ARROW GAS DIV.

CUSTOMER: OSCOMP SYSTEMS
JOB NO.: 10275
REV. NO.

TITLE: GENERAL ASSEMBLY - PLANVIEW			
TULSA, OKLAHOMA	DRAWN: DMV CHECKED: DMV DATE: 11-15-12 APP'D: * APP'D DATE: *	SCALE: NONE MATERIAL: NOTED	DRAWING NO. GA-001 SHEET 1 OF 1

SCHEDULE OF OPENINGS

MARK	QTY	SIZE	RATING	TYPE	SERVICE
1	1	2"	600#	RF	UNIT INLET
2	2	3/4"	6000#	NPT	UNIT OUTLET
3	1	3"	3000#	STUB	PROCESS GAS RELIEF VALVE/BLOWDOWN HEADER
4	1	1"	3000#	NPT	SCRUBBER DRAIN HEADER
5	1	1"	3000#	NPT	ENGINE AND COMPRESSOR OIL DRAIN HEADER
6	1	1"	3000#	NPT	ENGINE AND COMPRESSOR OIL MAKE-UP HEADER
7	1	6"	TUBING	STUB	ENGINE EXHAUST
8	1	1"	3000#	NPT	COMPRESSOR HOT OIL CIRCULATION INLET (IF REQ'D.)
9	1	1"	3000#	NPT	COMPRESSOR HOT OIL CIRCULATION OUTLET (IF REQ'D.)
10	1	1"	3000#	NPT	ENGINE HOT OIL CIRCULATION INLET (IF REQUIRED)
11	1	1"	3000#	NPT	ENGINE HOT OIL CIRCULATION OUTLET (IF REQUIRED)
12	1	1/2"	3000#	NPT	ENGINE RADIATOR DRAIN



ELEVATION AA

CUSTOMER: OSCOMP SYSTEMS
 JOB NO.: 10275
 REV. NO. 1

MAJOR COMPONENTS	
COMPRESSOR: VRC-2-2 CYLINDER: 2.500" DIA BORE CYLINDER: 2.500" DIA BORE CYLINDER: 1.375" DIA BORE CYLINDER: 1.375" DIA BORE	ENGINE: CATERPILLAR G3406NA COUPLING: REXNORD CMR 350 COOLER: AXH COOLER, MODEL 42VM PANEL: MURPHY 50-30-9542

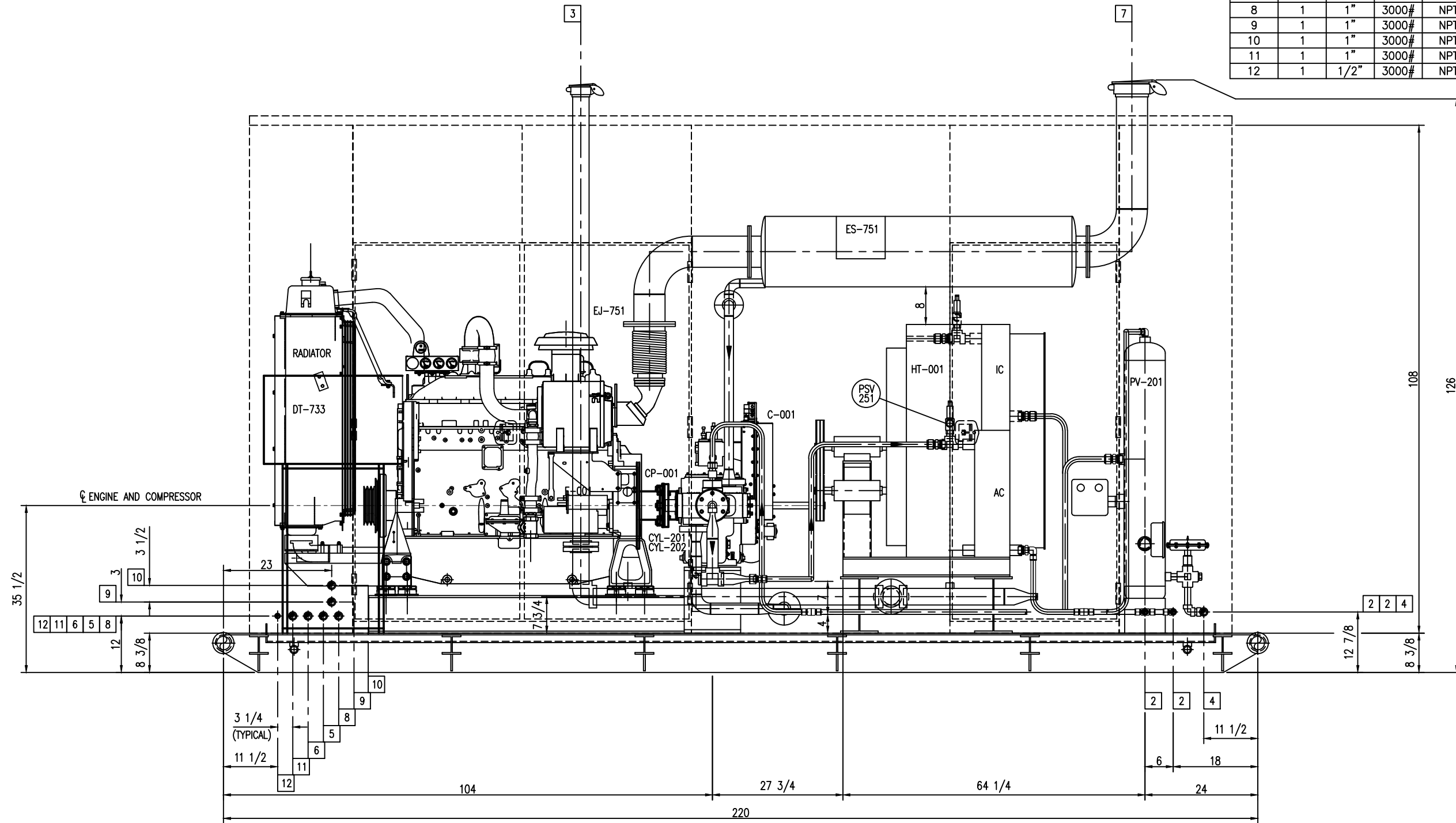
UNLESS OTHERWISE SPECIFIED: DIMENSIONS ARE IN INCHES. BREAK SHARP CORNERS .010-.030. SHEET METAL FABRICATION TOLERANCES PER S-8410. CONCENTRICITY (T.L.R.) OF ANY TWO MACHINED DIAMETERS AROUND A COMMON AXIS SHALL BE WITHIN 1/2 THE SUM OF THE TOTAL TOLERANCES ON THOSE DIAMETERS.	
THIS PRINT PROPERTY OF ARROW ENGINE COMPANY AND MAY NOT BE REPRODUCED OR USED IN ANY MANNER DETRIMENTAL TO INTEREST OF SAID COMPANY.	DRILL HOLE TOLERANCES UNLESS OTHERWISE NOTED NO. 30 TO #61 DIA. +.003 - .000 1/4 TO 1/2 DIA. +.004 - .000 1/2 TO 3/4 DIA. +.005 - .000 3/4 TO 1 DIA. +.007 - .000 1 TO 2 DIA. +.010 - .000
AS-BUILT	
REV	CHANGE DESCRIPTION

REF. NO.	MODEL
DMV 1-15-13 DMV *	ARROW GAS DIV.
	UNLESS OTHERWISE SPECIFIED
	FRACTIONAL: ± .010 ANGULAR: MATCH ± 1/2 X ± .080 XX ± .030 XXX ± .010 SURFACE FINISH: 125 AA

TITLE: GENERAL ASSEMBLY - ELEVATION AA			
DRWR: DMV	SCALE: NONE	MATERIAL: NOTED	
CHK'D: DMV	DATE: 11-15-12	DRAWING NO. GA-002	
E.C.R. NO. *	APP'D: *	APP'D UNIT: *	SHEET 1 OF 1

SCHEDULE OF OPENINGS

MARK	QTY	SIZE	RATING	TYPE	SERVICE
1	1	2"	600#	RF	UNIT INLET
2	2	3/4"	6000#	NPT	UNIT OUTLET
3	1	3"	3000#	STUB	PROCESS GAS RELIEF VALVE/BLOWDOWN HEADER
4	1	1"	3000#	NPT	SCRUBBER DRAIN HEADER
5	1	1"	3000#	NPT	ENGINE AND COMPRESSOR OIL DRAIN HEADER
6	1	1"	3000#	NPT	ENGINE AND COMPRESSOR OIL MAKE-UP HEADER
7	1	6"	TUBING	STUB	ENGINE EXHAUST
8	1	1"	3000#	NPT	COMPRESSOR HOT OIL CIRCULATION INLET (IF REQ'D.)
9	1	1"	3000#	NPT	COMPRESSOR HOT OIL CIRCULATION OUTLET (IF REQ'D.)
10	1	1"	3000#	NPT	ENGINE HOT OIL CIRCULATION INLET (IF REQUIRED)
11	1	1"	3000#	NPT	ENGINE HOT OIL CIRCULATION OUTLET (IF REQUIRED)
12	1	1/2"	3000#	NPT	ENGINE RADIATOR DRAIN



ELEVATION BB

MAJOR COMPONENTS	
COMPRESSOR: VRC-2-2 CYLINDER: 2.500" DIA BORE	ENGINE: CATERPILLAR G3406NA
CYLINDER: 2.500" DIA BORE	COUPLING: REXNORD CMR 350
CYLINDER: 1.375" DIA BORE	COOLER: AXH COOLER, MODEL 42WI
CYLINDER: 1.375" DIA BORE	PANEL: MURPHY 50-30-9542

UNLESS OTHERWISE SPECIFIED: DIMENSIONS ARE IN INCHES. BREAK SHARP CORNERS .010-.030. SHEET METAL FABRICATION TOLERANCES PER S-8410. CONCENTRICITY (T.L.R.) OF ANY TWO MACHINED DIAMETERS AROUND A COMMON AXIS SHALL BE WITHIN 1/2 THE SUM OF THE TOTAL TOLERANCES ON THOSE DIAMETERS.	
<p>THIS PRINT PROPERTY OF ARROW ENGINE COMPANY AND MAY NOT BE REPRODUCED OR USED IN ANY MANNER DETRIMENTAL TO INTEREST OF SAID COMPANY.</p>	<p>DRILL HOLE TOLERANCES UNLESS OTHERWISE NOTED</p> <p>NO. 30 TO NO. 1 DIA. +.003 - .000</p> <p>1/4 TO 1/2 DIA. +.004 - .000</p> <p>1/2 TO 3/4 DIA. +.005 - .000</p> <p>3/4 TO 1 DIA. +.007 - .000</p> <p>1 TO 2 DIA. +.010 - .000</p>
<p>AS-BUILT</p>	<p>REF. NO.:</p> <p>MODEL:</p> <p>ARROW GAS DIV.</p>
<p>BY: DMV</p> <p>DATE: 11-15-13</p> <p>CHKD: DMV</p> <p>DATE: 11-15-12</p> <p>APP'D: *</p> <p>DATE: 11-15-12</p> <p>APP'D: *</p>	<p>REF. NO.:</p> <p>MODEL:</p> <p>ARROW GAS DIV.</p> <p>UNLESS OTHERWISE SPECIFIED</p> <p>FRACTIONAL: ± .010</p> <p>ANGULAR: MATCH ± 1/2</p> <p>X ± .080</p> <p>XX ± .030</p> <p>XXX ± .010</p> <p>SURFACE FINISH: 125 AA</p>

CUSTOMER: OSCOMP SYSTEMS
JOB NO.: 10275
REV. NO.

TULSA, OKLAHOMA			
TITLE: GENERAL ASSEMBLY - ELEVATION BB			
DRWR: DMV	SCALE: NONE	MATERIAL: NOTED	
CHK'D: DMV	DATE: 11-15-12	DRAWING NO.:	
E.C.R. NO.:	APP'D: *	APP'D DATE: *	DRAWING NO. GA-003
			SHEET 1 OF 1

