

THIS DRAWING IS THE EXCLUSIVE PROPERTY OF TKS CONTROLS LTD. AND MAY NOT BE REPRODUCED WITHOUT STRICT WRITTEN CONSENT FROM DESIGNER.

V-100
3-PHASE VERTICAL SEPARATOR

SUNN96: 36"OD X 10' S/S
DESIGN PRESSURE: 1440PSI, 1/2" C.A.
DRESSED 3 PHASE, RT-1, PWHT
REGISTERED IN AB, BC, & SK.
CRN: #W-3897.213

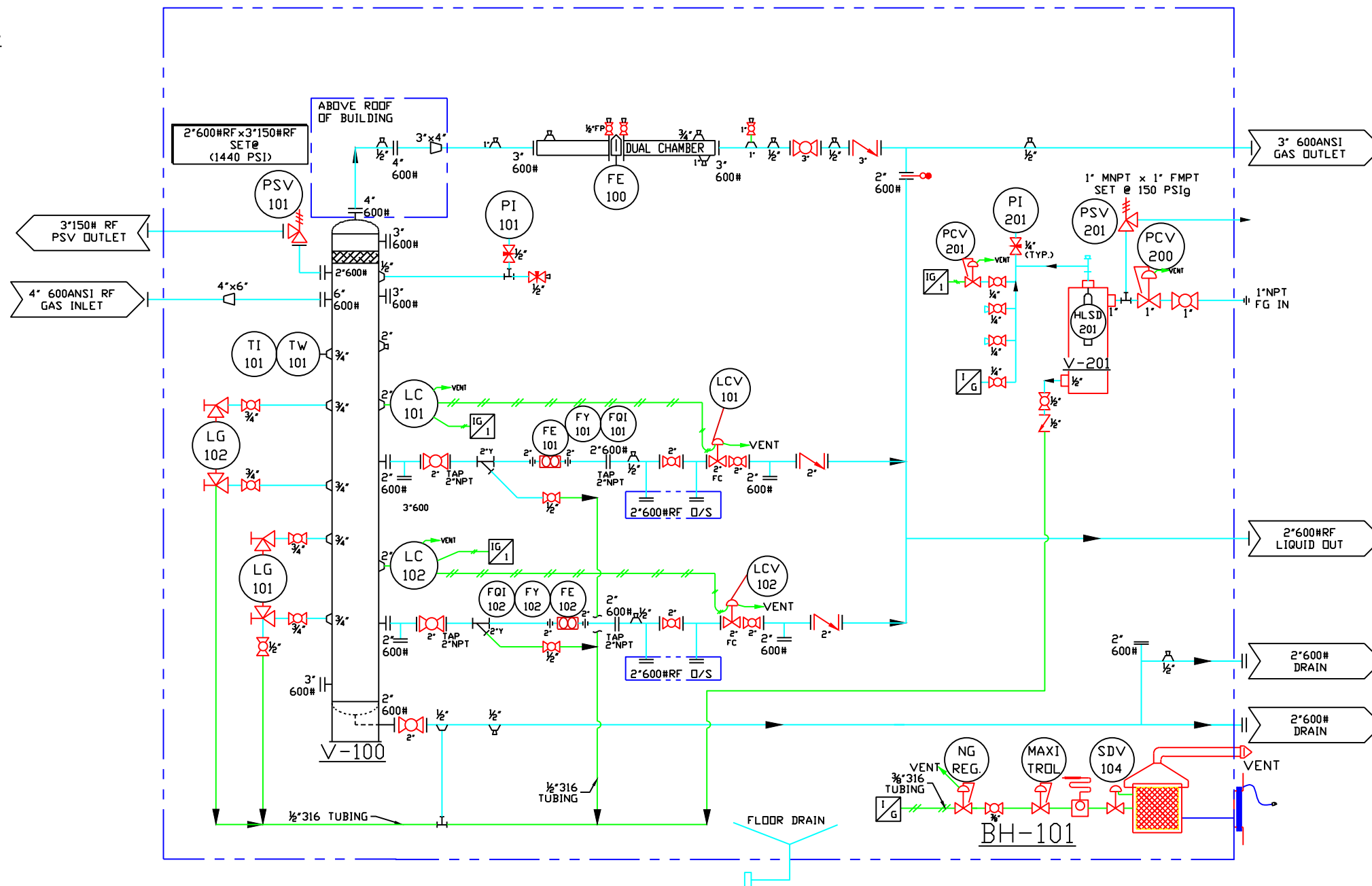
V-201
FUEL GAS SCRUBBER

LOTECH 6 3/8"OD X 3'0"
DESIGN PRESSURE: 285PSI
COMES WITH HLSD
REGISTERED IN AB, BC, & SK.
CRN: DH12502.21345

BH-101
BUILDING HEATER

CCI CATA-DYNE MK11 2424
20,000BTU/HR, 12 VOLT START w/30' CABLES
11"WC, ASV375 VALVE,
SAFETY SHUT OFF, 912 REGULATOR
TEMP CONTROL, NAT GAS, SIDE MOUNT

V100-A# 645459
V100-S/N: 96-614-2
V200-S/N:5285.3758
SKID:



STAMPS & PERMITS

QC MNGR: _____ DATE: _____
ISSUED TO SITE: _____ DATE: _____

NO.	DATE	REVISIONS	DWN	CHK	DAPPR
0	12-12-23	ISSUED FOR REFERENCE			CT



DATE	12-12-2023	CLIENT	RARE OILFIELD SERVICES	
DESIGNED BY	TKS	LSD:		
DRAWN BY	C.TOWERS	TITLE	36"OD x 10' S/S VERT. SEPARATOR DESIGN PRESSURE 1440 PSIG @ 130°F	
CHECKED BY		JOB NO.	18307	FILENAME
APPROVED BY		SHEET NO.	1 OF 1	TKS\18307PID
SCALE	NTS	DRAWING NO.		REFERENCE NO.
		REV. NO.		