



## DESIGN CERTIFICATION

### Prism Integrated Solutions Inc.

4001 53 St  
Forestburg, AB  
T0B 1N0



PO BOX 726  
Cochrane, AB  
T4C1A8



(877) 240-4149  
(403) 443-9559



info@basepointengineering.com  
www.basepointengineering.com

<b>Description</b>	10" x 10" x 80' Self-Supported Flare Stack
<b>Customer</b>	Prism Integrated Solutions Inc.
<b>Drawing Number</b>	10708 Rev 03
<b>Basepoint File No</b>	19032-01
<b>Date</b>	Jan 14, 2020

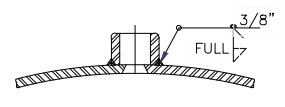
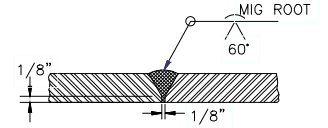
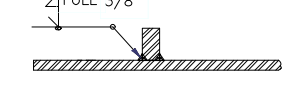
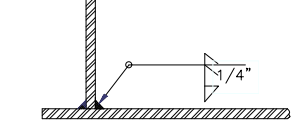
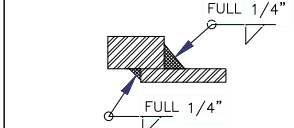
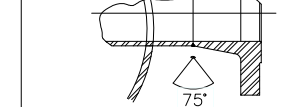
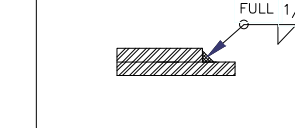
Basepoint Engineering has performed a structural design review of the flare stack in the drawing indicated above. The flare stack structural design was reviewed based on wind loading at the LSD indicated in the drawing, using wind load calculations from the National Building Code of Canada. The following areas of the stack were reviewed for structural integrity:

- Stack structure (material, diameter and thickness, with corrosion)
- Nozzle cutout and reinforcement
- Baseplate and gussets
- Lifting trunnions and stack structure in lifting (lift study)
- Vortex shedding

Based on the structural review of the items listed above, the flare stack is suitable for use at the location indicated above. The P.Eng stamp in this drawing pertains to the items listed above.

### Shawn Hansen, P.Eng.

Basepoint Engineering Inc.

WELD DETAIL 1	WELD DETAIL 2	WELD DETAIL 3	WELD DETAIL 4	WELD DETAIL 5	WELD DETAIL 6	WELD DETAIL 7
						
Weld Procedure PIS-1	Weld Procedure PIS-2, PIS-7	Weld Procedure PIS-2	Weld Procedure PIS-2	Weld Procedure PIS-2	Weld Procedure PIS-1, PIS-2, PIS-6, PIS-7	Weld Procedure PIS-2

STANDARD TOLERANCES  
FABRICATION:  
GENERAL DEVIATION ± 1/4"  
O/A LENGTH ± 2"

WELD PREP:  
LAND 1/8" ± 1/32"  
ROOT GAP 1/8" ± 1/16"

REVISION TABLE

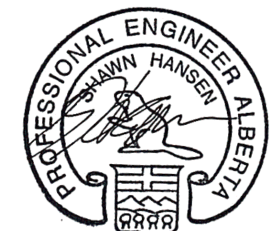
REV 0 - IFA DRAWING SET IS STILL IN PROGRESS

CONSTRUCTION NOTES FOR WELDING:

- 1) ALL WELDING TO BE PERFORMED BY QUALIFIED PERSONNEL.
- 2) ALL WELD PROCEDURES TO BE QUALIFIED THROUGH A PROCEDURE QUALIFICATION TEST.
- 3) ALL FILLET WELDS TO BE 1/4" UNLESS OTHERWISE NOTED.

LIFTING INFO:  
FLARE ONLY TO BE LIFTED BY TRUNNIONS.

NOZZLE SCHEDULE																
NO	QTY	SIZE	ANSI & RATING	SERVICE	NECK OD	PROJECTION		WLD DTL	FILLET WELD SIZE				BOM #	REMARKS	ELEV	ORIENT
						INSIDE	OUTSIDE		A	B	C	D				
N1	1	10"	CL 150# RF	HP INLET	10 5/8"	-	-	6	3/8"	-	-	-	32	WELD NECK	12'-0"	0°
N2	1	10"	CL 150# RF	LP INLET	10 5/8"	-	-	6	-	-	-	-	32	WELD NECK	12'-0"	0°
C1	1	3/4"	CL3000 NPT	HP PURGE	-	-	-	1	1/4"	-	-	-	2	FULL CPLG	12'-5"	0°
C2	1	3/4"	CL3000 NPT	LP PURGE	-	-	-	1	1/4"	-	-	-	4	FULL CPLG	12'-5"	90°

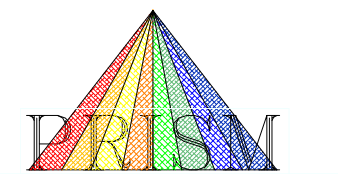


2020-01-14

See cover letter for  
limitations of certification  
Basepoint file 19032-01

REV	DESCRIPTION	BY	Y	M	D	APP	Y	M	D
3	AS BUILT	DF	20	01	13				
2	ADDED SHOT TUBE	DF	19	11	14				
1	ISSUED FOR CONSTRUCTION	DF	19	10	28				
0	ISSUED FOR APPROVAL	DF	19	09	30				

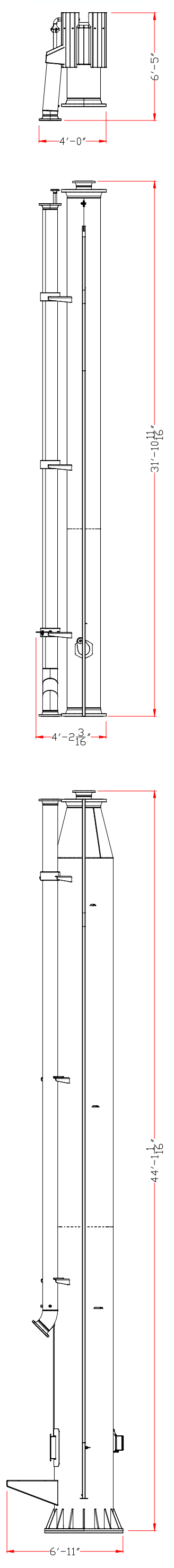
FABRICATION CONTINUED	FABRICATION	IGNITION SYSTEM: DUAL PRISM PREMIER (24VDC) C1 D2, CSA CERT. B149.3 COMPLIANT	DWG BY: DF	DWG #: 10708	TITLE: Ø10" x 10" x 80'-0" TALL SELF SUPPORTED FLARE STACK
BASE MOMENT: UNFACTORED: 375,000 FT-LBS FACTORED: 500,000 FT-LB (PER NBCC 2015 TABLE 4.1.3.2-A)	MAG PARTIAL PROCEDURE: SEE NOTES RADIOGRAPHY: SEE NOTES	WT EST: 23,500 LBS	DATE: 19 09 30 Y M D	SALESPERSON: NEIL T	CUSTOMER: CHEVRON CANADA
BASE HORIZONTAL: UNFACTORED: 9,300 LBS FACTORED: 12,350 LBS (PER NBCC 2015 TABLE 4.1.3.2-A)	IMPACT TESTING: NO COOLANT TRACING: NO ALUM. CLADDING: NO CORROSION ALLOWANCE: 0.125"	PAINT: SANDBLAST SSPC-SP6 GLOSS BLACK FINISH CLOVERDALE ARMORSHEILD	DESIGN BY: NEIL T	JOB#: 10708 QUOTE#: 7-17-19 S10x80AA STANTEC-CHEVRON	PO#: 00119192 04
BASE VERTICAL: UNFACTORED: 23,500 LB	WPS #: PIS-2,6,7 QC PROGRAM #: - MDMT: -45°C	LOCATION / PROJECT: KAYBOB DUVERNAY PROJECT	SHEET: 1 OF 21	LSD: 15-06-062-21 W5M	REV: 3
ITEM 4.1 100% RADIOGRAPHY TO BE 3I.3 SEVERE MPI ON LOAD BEARING WELDS (BASE & GUSSETS, INLET & REPAD, TRUNNIONS AIR INLET & REPAD, LP STANDOFFS)	PRISM INTEGRATED SOLUTIONS INC. ANY TECHNICAL DATA AND THE DESIGNS DISCLOSED AND/OR CONTAINED HEREIN ARE THE EXCLUSIVE PROPERTY OF PRISM INTEGRATED SOLUTIONS INC. THESE DESIGNS ARE NOT TO BE USED OR DISCLOSED TO OTHERS WITHOUT THE EXPRESS WRITTEN CONSENT OF PRISM INTEGRATED SOLUTIONS INC.				



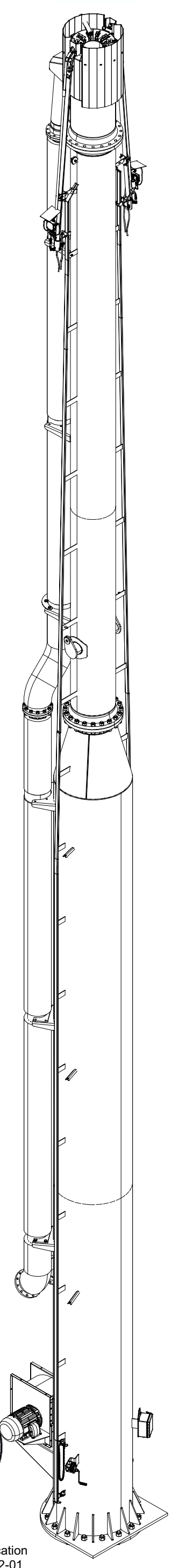
INTEGRATED SOLUTIONS INC.

PHONE# (780) 582-3900  
FAX# (780) 582-3922  
TOLL FREE# 1-877-264-1050  
WEB SITE: www.prismcorp.net

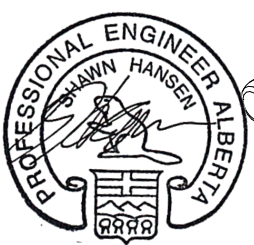
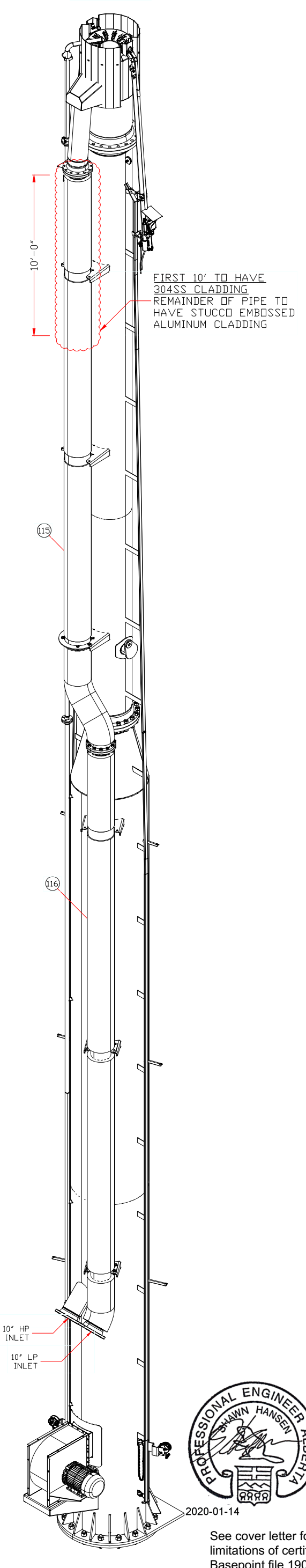
SHIPPING DIMS



ISOMETRIC



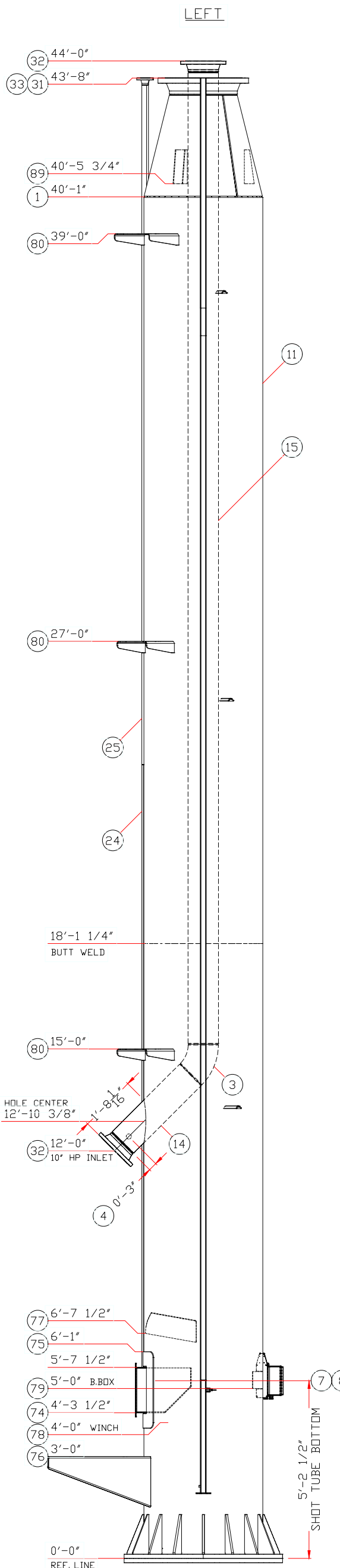
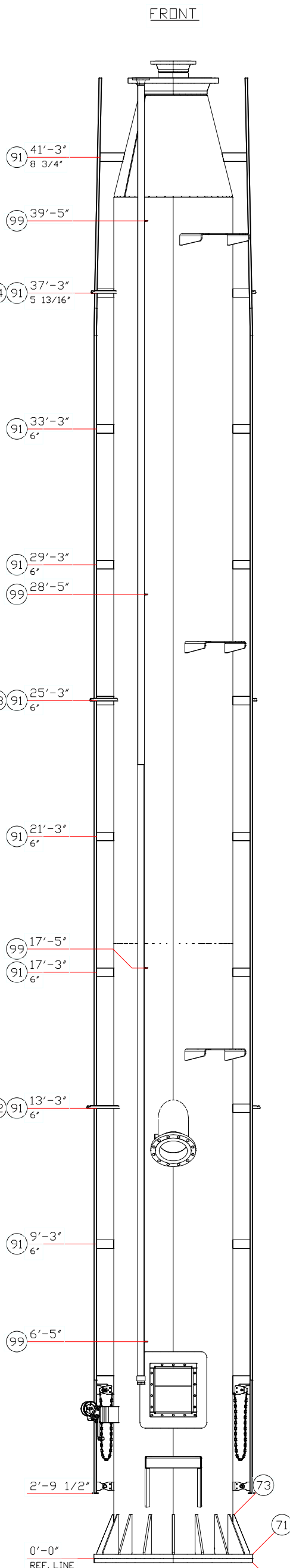
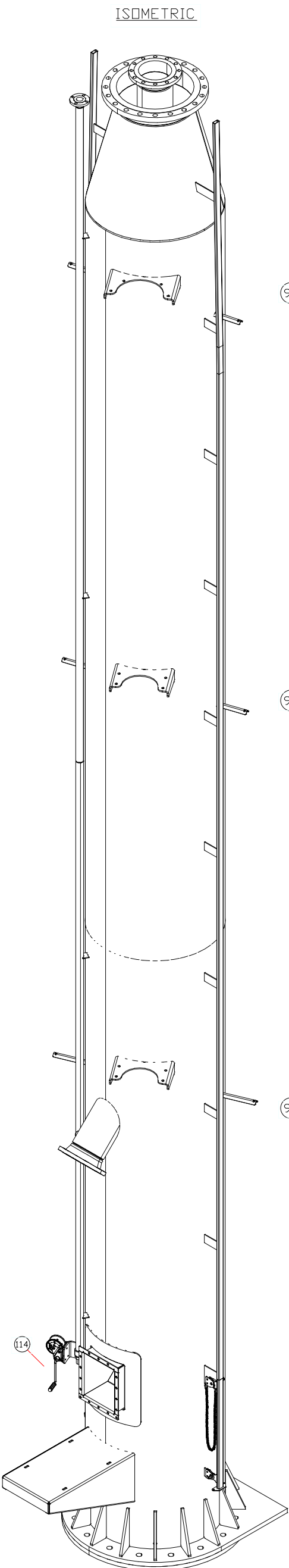
ISOMETRIC



See cover letter for limitations of certification Basepoint file 19032-01

REV		DESCRIPTION	BY	M	D	FABRICATION CONTINUED		FABRICATION		IGNITION SYSTEM:		DWG BY:		DWG #:		TITLE:		CUSTOMER:		REV	
0	ISSUED FOR APPROVAL	DF	19	09	30	BASE MOMENT: INFAC TO REF: 375,000 FT-LB	MAG PARTIAL PROCEDURE: SEE NOTES	DUAL PRISM PREMIER (24VDC)	DF	10708	ø10" x 10" x 80'-0" TALL	CHEVRON CANADA	3								
1	ISSUED FOR CONSTRUCTION	DF	19	10	28	FACTORED: 500,000 FT-LB PER NBCC 2015 TABLE 4.13.2-4)	RADIOGRAPHY: SEE NOTES	SAFETY SYSTEM: (24VDC)	DF	10708	SELF SUPPORTED	INTEGRATED SOLUTIONS INC.									
2	ADDED SHOT TUBE	DF	19	11	14	BASE HORIZONTAL: UNFACTORED: 9,300 LBS	IMPACT TESTING: ND	WT EST: 23,500 LBS	Y	09	30	PHONE# (780) 582-3900									
3	AS BUILT	DF	20	01	13	BASE VERTICAL: UNFACTORED: 23,500 LB	COOLANT TRACING: ND	NEIL T	M	09	30	FAX# (780) 582-3922									
						ITEM 4.1		PAIN:		JOB# / QUOTE#:		TOLL FREE# 1-877-264-1050									
						100% RADIOGRAPHY TO BE 31.3 SEVERE		SANDBLAST SSPC-SP6		17-17-19		WEB SITE: www.prismcorp.net									
						(BASE & GUSSETS, INLET & REPAD, TRUNNIONS		CLEVERDALE ARMORSHIELD		STANTEC-CHEVRON											
						AIR INLET & REPAD, LP STANDOFFS)		LOCATION / PROJECT:		SHEET:											
								KAYBOB DUVERNAY PROJECT		2 OF 21											

REV	DESCRIPTION	APP	Y	M	D	FABRICATION CONTINUED	FABRICATION	IGNITION SYSTEM:	TITLE:
0	ISSUED FOR APPROVAL	DF	19	09	30	BASE MOMENT: INFAC TORE: 375,000 FT-LB FACTORED: 500,000 FT-LB PER NBCC 2015 TABLE 4.13.2-4)	MAG PARTIAL PROCEDURE: SEE NOTES RADIOGRAPHY: SEE NOTES	DUAL PRISM PREMIER (24VDC) C1 D2, CSA CERT. B149.3 COMPLIANT	ø10" x 10" x 80'-0" TALL SELF SUPPORTED FLARE STACK
1	ISSUED FOR CONSTRUCTION	DF	19	10	28	BASE HORIZONTAL: UNFACTORED: 9,300 LBS FACTORED: 12,350 LBS PER NBCC 2015 TABLE 4.13.2-4)	IMPACT TESTING: ND CORROSION TRACING: ND CORROSION ALLOWANCE: 0.125"	WT EST: 23,500 LBS SALES PERSON: NEIL T	CHEVRON CANADA
2	ADDED SHOT TUBE	DF	19	11	14	BASE VERTICAL: UNFACTORED: 23,500 LB	ALUM CLADDING: ND CORROSION ALLOWANCE: 0.125"	DESIGN BY: NEIL T	PD#: 00119192 04
3	AS BUILT	DF	20	01	13	ITEM 4.1 100% RADIOGRAPHY TO BE 31.3 SEVERE (BASE & GUSSETS, INLET & REPAD, TRUNNIONS AIR INLET & REPAD, LP STANDOFFS)	QC PROGRAM #: -45°C MDMT: -	DATE: 19 09 30 JOB#: 17-17-19 S10X80AA STANTEC-CHEVRON	REV: 3
0	ISSUED FOR APPROVAL	DF	19	09	30			PAINT: SANDBLAST SSPC-SP6 GLOSS BLACK FINISH CLEVERDALE ARMORSHIELD	INTEGRATED SOLUTIONS INC. PHONE# (780) 582-3900 FAX# (780) 582-3922 TOLL FREE# 1-877-264-1050 WEB SITE: www.prismscorp.net



MAIN STACK BOTTOM



See cover letter for limitations of certification  
Basepoint file 19032-01

\* ALL ELEVATION MEASUREMENTS ARE FROM BOTTOM OF BASE PLATE  
\* 1/8" WELD GAP HAS BEEN ACCOUNTED FOR IN ALL PIPE LENGTHS

REV	DESCRIPTION	BY	DATE
0	ISSUED FOR APPROVAL	DF	19 09 30
1	ISSUED FOR CONSTRUCTION	DF	19 10 28
2	ADDED SHOT TUBE	DF	19 11 14
3	AS BUILT	DF	20 01 13

FABRICATION CONTINUED	
BASE MOMENT:	INFAC TORE: 375,000 FT-LB
FACTORED: 500,000 FT-LB	OPER NBC 2015 TABLE 4.13.2-4)
BASE HORIZONTAL:	INFAC TORE: 9,300 LBS
FACTORED: 12,300 LBS	OPER NBC 2015 TABLE 4.13.2-4)
BASE VERTICAL:	INFAC TORE: 23,500 LB
ITEM 4.1	100% RADIOGRAPHY TO BE 31.3 SEVERE
	(BASE & GUSSETS, INLET & REPAD, TRUNNIONS
	AIR INLET & REPAD, LP STANDOFFS)

FABRICATION	
MAG PARTIAL PROCEDURE:	SEE NOTES
RADIOGRAPHY:	SEE NOTES
IMPACT TESTING:	ND
COULANT TRACING:	ND
ALUM CLADDING:	ND
CORROSION ALLOWANCE:	0.125"
WPS #:	PIS-2.6.7
QC PROGRAM #:	-45°C
MDMT:	

IGNITION SYSTEM:	
DUAL PRISM PREMIER (24VDC)	
CI DE, CSA CERT.	
B149.3 COMPLIANT	
WT EST:	23,500 LBS
SALESPERSON:	NEIL T
PAINT:	SANDBLAST SSPC-SP6
	GLOSS BLACK FINISH
	CLEVERDALE ARMORSHIELD
LOCATION / PROJECT:	KAYBOB DUVERNAY PROJECT

TITLE:	
ø10" x 10" x 80'-0" TALL	
SELF SUPPORTED	
FLARE STACK	
CUSTOMER:	
CHEVRON CANADA	
PO#:	00119192 04
JOB#:	17-17-19 S10X80AA
DATE:	19 09 30
DESIGN BY:	NEIL T
QC PROGRAM #:	
MDMT:	
WPS #:	PIS-2.6.7
SALESPERSON:	NEIL T
WT EST:	23,500 LBS
IGNITION SYSTEM:	DUAL PRISM PREMIER (24VDC)
CI DE, CSA CERT.	B149.3 COMPLIANT
PAINT:	SANDBLAST SSPC-SP6
	GLOSS BLACK FINISH
	CLEVERDALE ARMORSHIELD
LOCATION / PROJECT:	KAYBOB DUVERNAY PROJECT

TITLE:	
ø10" x 10" x 80'-0" TALL	
SELF SUPPORTED	
FLARE STACK	
CUSTOMER:	
CHEVRON CANADA	
PO#:	00119192 04
JOB#:	17-17-19 S10X80AA
DATE:	19 09 30
DESIGN BY:	NEIL T
QC PROGRAM #:	
MDMT:	
WPS #:	PIS-2.6.7
SALESPERSON:	NEIL T
WT EST:	23,500 LBS
IGNITION SYSTEM:	DUAL PRISM PREMIER (24VDC)
CI DE, CSA CERT.	B149.3 COMPLIANT
PAINT:	SANDBLAST SSPC-SP6
	GLOSS BLACK FINISH
	CLEVERDALE ARMORSHIELD
LOCATION / PROJECT:	KAYBOB DUVERNAY PROJECT

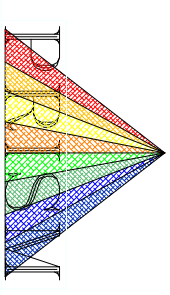
INTEGRATED SOLUTIONS INC.

PHONE# (780) 582-3900

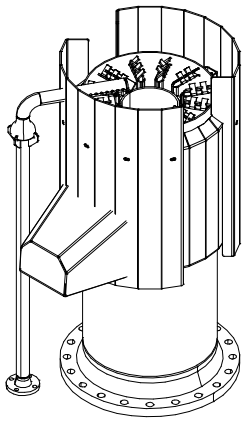
FAX# (780) 582-3922

TOLL FREE# 1-877-264-1050

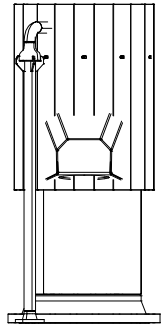
WEB SITE: www.prismscorp.net



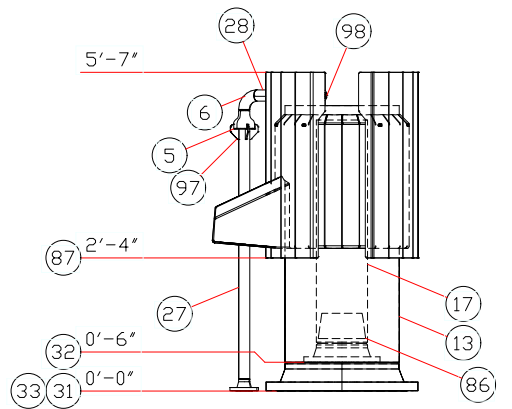
ISOMETRIC



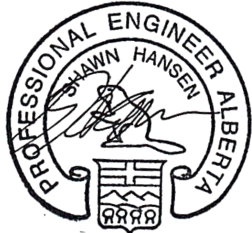
FRONT



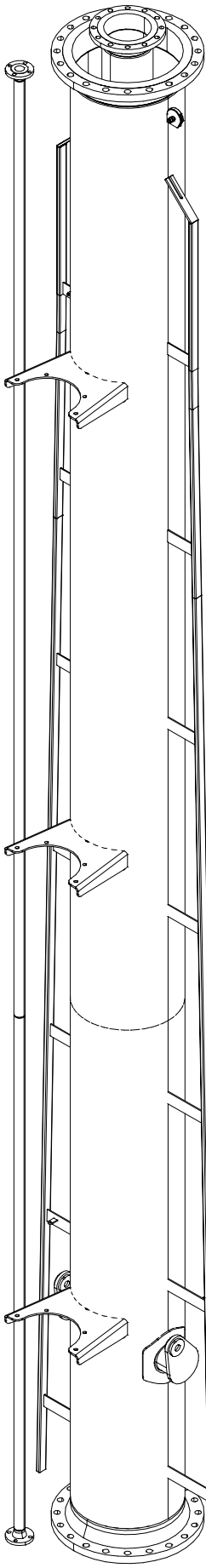
LEFT



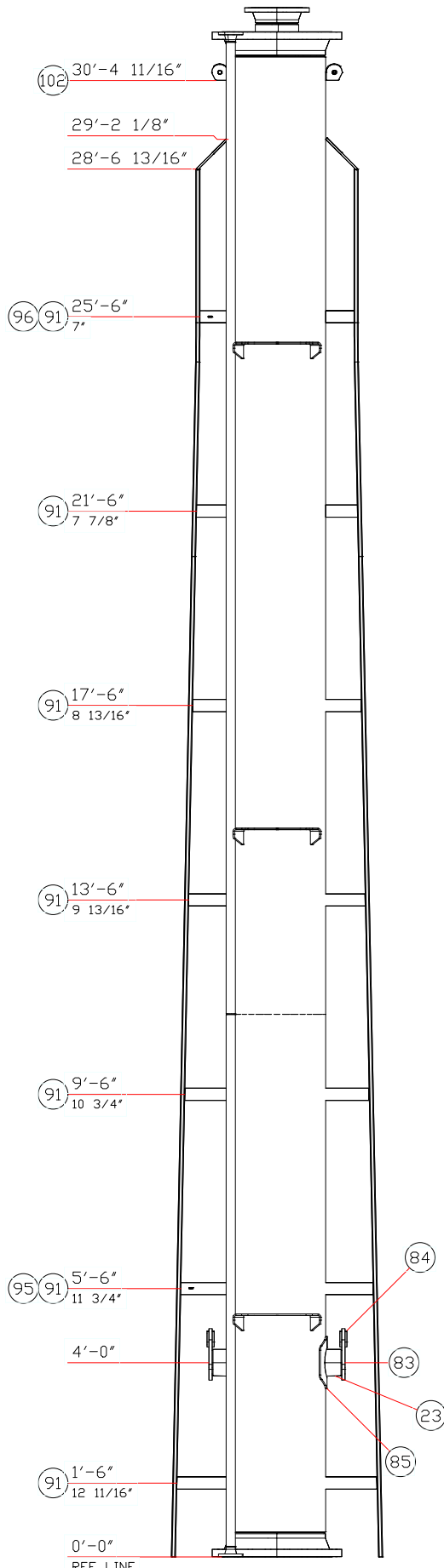
See cover letter for limitations of certification Basepoint file 19032-01



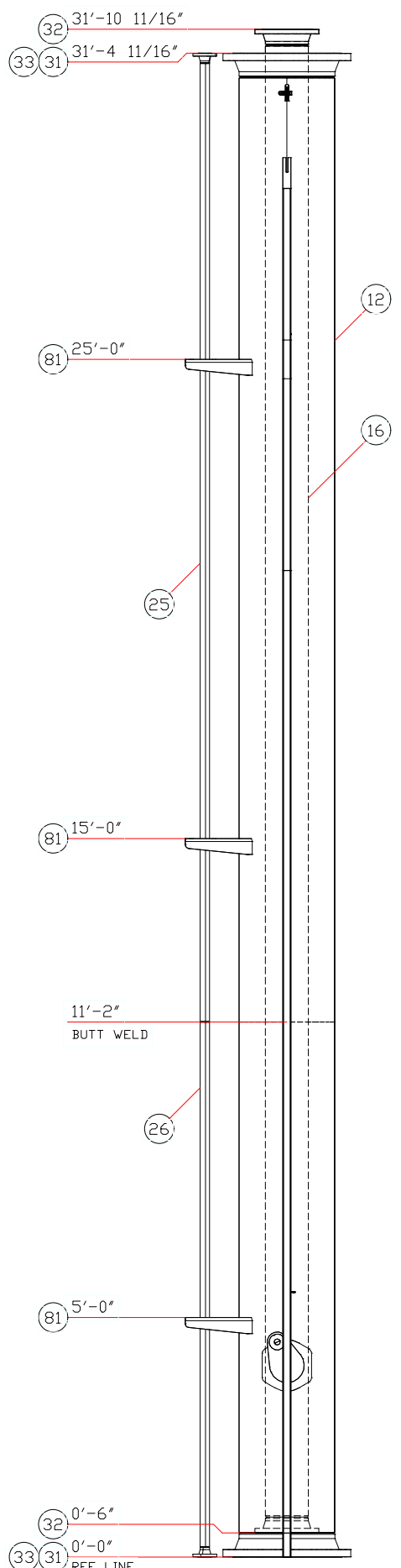
ISOMETRIC



FRONT

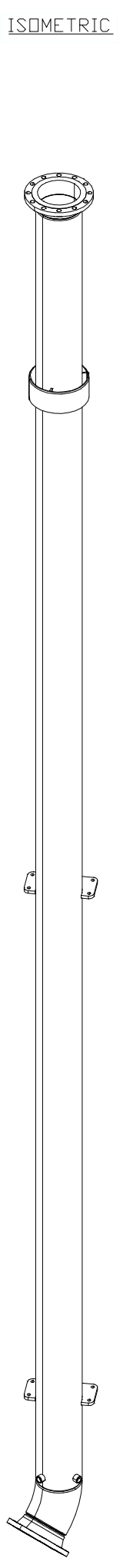
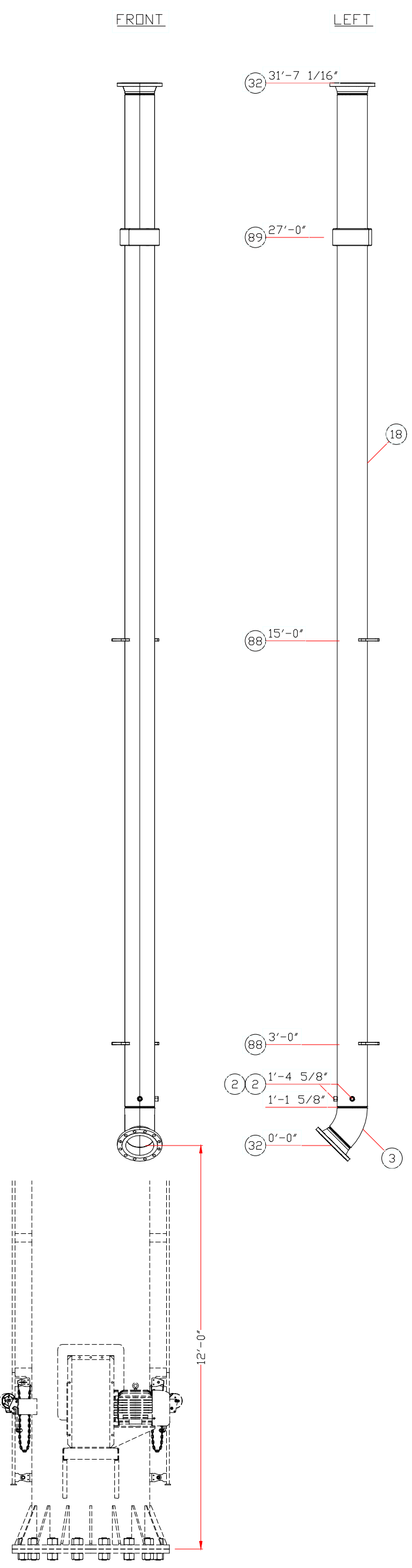


LEFT



MAIN STACK MID & TIP

\* ALL ELEVATION MEASUREMENTS ARE FROM BOTTOM OF BASE PLATE  
 \* 1/8" WELD GAP HAS BEEN ACCOUNTED FOR IN ALL PIPE LENGTHS



REV		DESCRIPTION	BY	DATE	APP	REV	DESCRIPTION	BY	DATE	APP
0		ISSUED FOR APPROVAL	DF	19 09 30	M					
1		ISSUED FOR CONSTRUCTION	DF	19 10 28	M					
2		ADDED SHOT TUBE	DF	19 11 14	M					
3		AS BUILT	DF	20 01 13	M					

FABRICATION CONTINUED		FABRICATION	
BASE MOMENT:	INFAC TORE D: 375,000 FT-LB	MAG PARTIAL PROCEDURE:	SEE NOTES
FACTORED:	500,000 FT-LB (PER NBCC 2015 TABLE 4.13.2-4)	RADIOGRAPHY:	SEE NOTES
BASE HORIZONTAL:	UNFACTORED: 9,300 LBS	IMPACT TESTING:	ND
FACTORED:	12,350 LBS (PER NBCC 2015 TABLE 4.13.2-4)	CODLANT TRACING:	ND
BASE VERTICAL:	UNFACTORED: 23,500 LB	ALUM CLADDING:	ND
ITEM 4.1		CORROSION ALLOWANCE:	0.125"
100% RADIOGRAPHY TO BE 31.3 SEVERE		WPS #:	PIS-2.6.7
MPT ON LEAD BEARING WELDS		QC PROGRAM #:	-
(BASE & GUSSETS, INLET & REPAD, TRUNNIONS		MDMT:	-45°C
AIR INLET & REPAD, LP STANDOFFS)		PRISM INTEGRATED SOLUTIONS INC.	
		ANY TECHNICAL DATA AND THE DESIGN DISCLOSED AND/OR	
		CONTAINED HEREIN ARE THE EXCLUSIVE PROPERTY OF PRISM	
		INTEGRATED SOLUTIONS INC. THESE DESIGNS ARE NOT TO BE	
		USED OR DISCLOSED TO OTHERS WITHOUT THE EXPRESS	
		WRITTEN CONSENT OF PRISM INTEGRATED SOLUTIONS INC.	

IGNITION SYSTEM:		DUAL PRISM PREMIER (24VDC)	
WT EST:	23,500 LBS	SALESPERSON:	NEIL T
PAIN:	SANDBLAST SSPC-SP6	LOCATION / PROJECT:	KAYBOB DUVERNAY PROJECT
	GLOSS BLACK FINISH		
	CLEVERDALE ARMORSHIELD		

DWG BY:	DF	DWG #:	10708
DATE:	19 09 30	DESIGN BY:	NEIL T
		JOB#:	17-17-19
		QUOTE#:	S10X80AA
		STANTEC-CHEVRON	
		SHEET:	5 OF 21

TITLE:	ø10" x 10" x 80'-0" TALL SELF SUPPORTED FLARE STACK
CUSTOMER:	CHEVRON CANADA
PO#:	00119192 04
LSD:	15-06-062-21 WSM

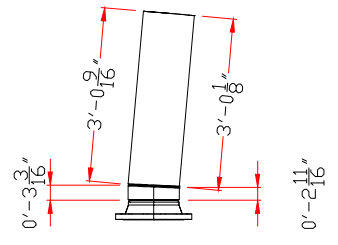
INTEGRATED SOLUTIONS INC.	PHONE# (780) 582-3900
	FAX# (780) 582-3922
	TOLL FREE# 1-877-264-1050
	WEB SITE: www.prismcorp.net



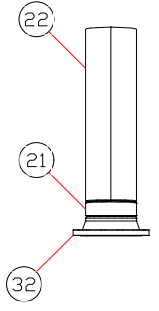
2020-01-14  
See cover letter for limitations of certification  
Basepoint file 19032-01

\* ALL ELEVATION MEASUREMENTS ARE FROM BOTTOM OF BASE PLATE  
\* 1/8" WELD GAP HAS BEEN ACCOUNTED FOR IN ALL PIPE LENGTHS

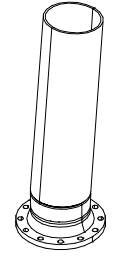
LEFT



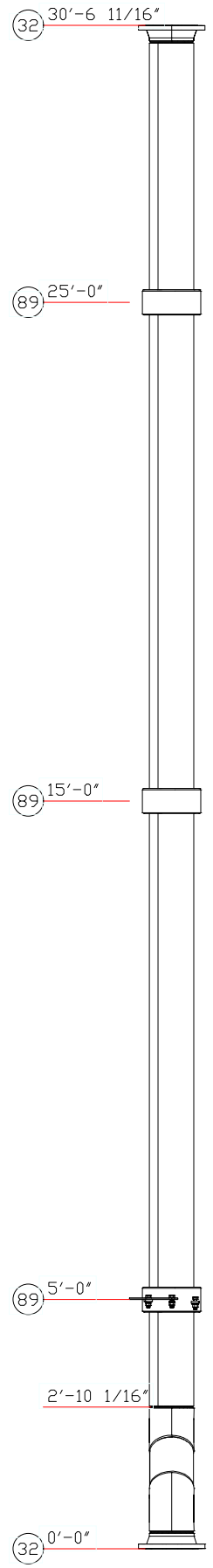
FRONT



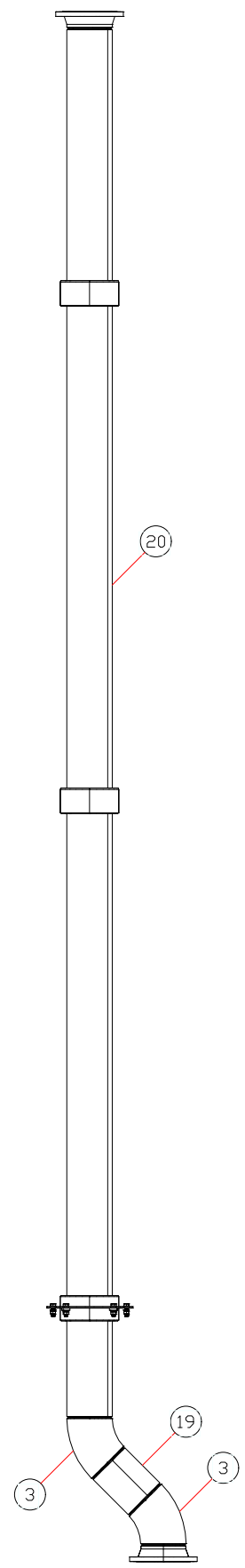
ISOMETRIC



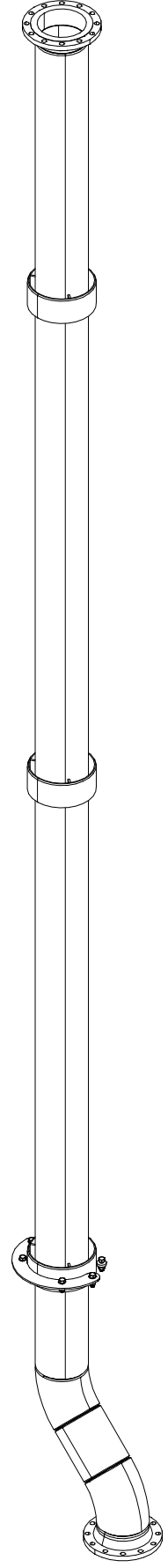
LEFT



FRONT



ISOMETRIC



REV	DESCRIPTION	BY	DATE	APP	DATE	DESCRIPTION
0	ISSUED FOR APPROVAL	DF	19 09 30	M	D	
1	ISSUED FOR CONSTRUCTION	DF	19 10 28	M	D	
2	ADDED SHOT TUBE	DF	19 11 14	M	D	
3	AS BUILT	DF	20 01 13	M	D	

FABRICATION CONTINUED		FABRICATION	
BASE MOMENT:	INFACTORED: 375,000 FT-LB	MAG PARTIAL PROCEDURE:	SEE NOTES
FACTORED: 500,000 FT-LB	OPER NBC 2015 TABLE 41.32-41	RADIOGRAPHY:	SEE NOTES
BASE HORIZONTAL:	UNFACTORED: 9,300 LBS	IMPACT TESTING:	ND
FACTORED: 12,350 LBS	OPER NBC 2015 TABLE 41.32-41	CODLANT TRACING:	ND
BASE VERTICAL:	UNFACTORED: 23,500 LB	ALUM CLADDING:	ND
ITEM 4.1		CORROSION ALLOWANCE:	0.125"
100% RADIOGRAPHY TO BE 31.3 SEVERE		WPS #:	PIS-2.6.7
MPT ON LEAD BEARING WELDS		QC PROGRAM #:	-
BASE & GUSSETS, INLET & REPAD, TRUNNIONS		MDMT:	-
AIR INLET & REPAD, LP STANDOFFS		ANY TECHNICAL DATA AND THE DECISIONS DISCLOSED AND/OR	
		INTEGRATED SOLUTIONS INC. THESE DESIGNS ARE NOT TO BE	
		USED OR DISCLOSED TO OTHERS WITHOUT THE EXPRESS	
		WRITTEN CONSENT OF PRISM INTEGRATED SOLUTIONS INC.	

IGNITION SYSTEM:		DWG BY:	DWG #:
DUAL	PRISM PREMIER (24VDC)	DF	10708
CI DP, CSA CERT.	B149.3 COMPLIANT	DATE:	19 09 30
WT EST:	23,500 LBS	DESIGN BY:	NEIL T
SALESPERSON:	NEIL T	JOB#:	17-17-19
PAINT:	SANDBLAST SSPC-SP6	QUOTE#:	S10X80AA
	GLOSS BLACK FINISH	JOB#:	10708
	CLEVERDALE ARMORSHIELD	SHEET:	6 OF 21
LOCATION / PROJECT:	KAYBOB DUVERNAY PROJECT		

TITLE:		PO#:
ø10" x 10" x 80'-0" TALL		00119192 04
SELF SUPPORTED		
FLARE STACK		
CUSTOMER:		REV:
CHEVRON CANADA		3
LSD:		
15-06-062-21 WSM		

INTEGRATED SOLUTIONS INC.	
PHONE# (780) 582-3900	
FAX# (780) 582-3922	
TOLL FREE# 1-877-264-1050	
WEB SITE: www.prismcorp.net	



2020-01-14  
See cover letter for limitations of certification  
Basepoint file 19032-01

\* ALL ELEVATION MEASUREMENTS ARE FROM BOTTOM OF BASE PLATE  
\* 1/8" WELD GAP HAS BEEN ACCOUNTED FOR IN ALL PIPE LENGTHS

REV	DESCRIPTION	BY	DATE	APP	BY	DATE	APP
0	ISSUED FOR APPROVAL	DF	19 09 30	M	DF	19 10 28	M
1	ISSUED FOR CONSTRUCTION	DF	19 10 28	M	DF	19 11 14	M
2	ADDED SHOT TUBE	DF	19 11 14	M			
3	AS BUILT	DF	20 01 13	M			

FABRICATION CONTINUED		FABRICATION	
BASE MOMENT:	INFAC TORE D: 375,000 FT-LB	MAG PARTIAL PROCEDURE:	SEE NOTES
FACTORED:	500,000 FT-LB PER NBCC 2015 TABLE 4.13.2-4)	RADIOGRAPHY:	SEE NOTES
BASE HORIZONTAL:	UNFACTORED: 9,300 LBS	IMPACT TESTING:	ND
FACTORED:	12,350 LBS PER NBCC 2015 TABLE 4.13.2-4)	COULANT TRACING:	ND
BASE VERTICAL:	UNFACTORED: 23,500 LB	ALUM CLADDING:	ND
ITEM 4.1		CORROSION ALLOWANCE:	0.125"
100% RADIOGRAPHY TO BE 31.3 SEVERE		WPS #:	PIS-2.6.7
MPT ON LEAD BEARING WELDS		QC PROGRAM #:	-45°C
AIR INLET & REPAD, LP STANDOFFS		MDMT:	
		PRISM INTEGRATED SOLUTIONS INC. CONTAINED HEREIN ARE THE EXCLUSIVE PROPERTY OF PRISM INTEGRATED SOLUTIONS INC. THESE DESIGNS ARE NOT TO BE USED OR DISCLOSED TO OTHERS WITHOUT THE EXPRESS WRITTEN CONSENT OF PRISM INTEGRATED SOLUTIONS INC.	

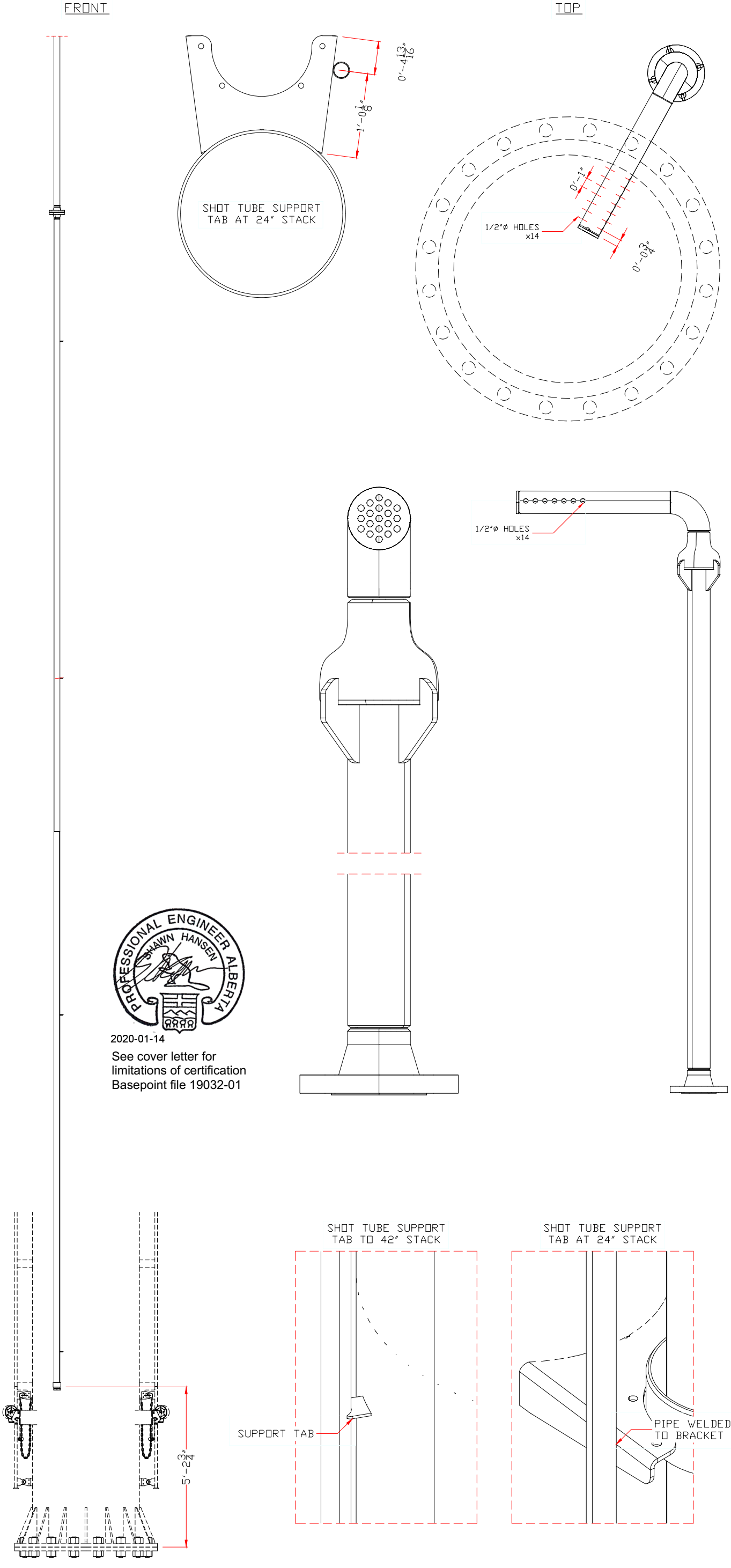
IGNITION SYSTEM:		DWG BY:	DWG #:
DUAL	PRISM PREMIER (24VDC)	DF	10708
CI DE:	CSA CERT. B149.3 COMPLIANT	DATE:	19 09 30
WT EST:	23,500 LBS	DESIGN BY:	NEIL T
SALES PERSON:	NEIL T	JOB #:	17-17-19
PAINT:	SANDBLAST SSPC-SP6 GLOSS BLACK FINISH CLEVERDALE ARMORSHIELD	QUOTE #:	S10X80AA
LOCATION / PROJECT:	KAYBOB DUVERNAY PROJECT	STANTEC-CHEVRON	LSD:
		SHEET:	7 OF 21

TITLE:	ø10" x 10" x 80'-0" TALL SELF SUPPORTED FLARE STACK
CUSTOMER:	CHEVRON CANADA
PO #:	00119192 04
REV:	3

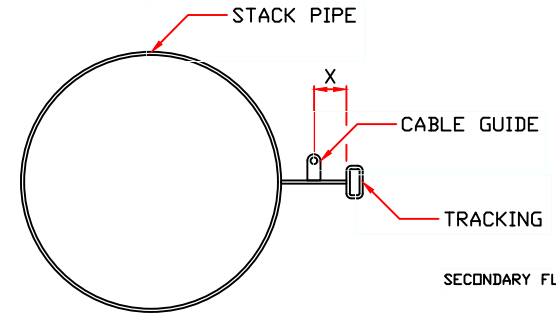
  

INTEGRATED SOLUTIONS INC.	PHONE# (780) 582-3900
	FAX# (780) 582-3922
	TOLL FREE# 1-877-264-1050
	WEB SITE: www.prismcorp.net



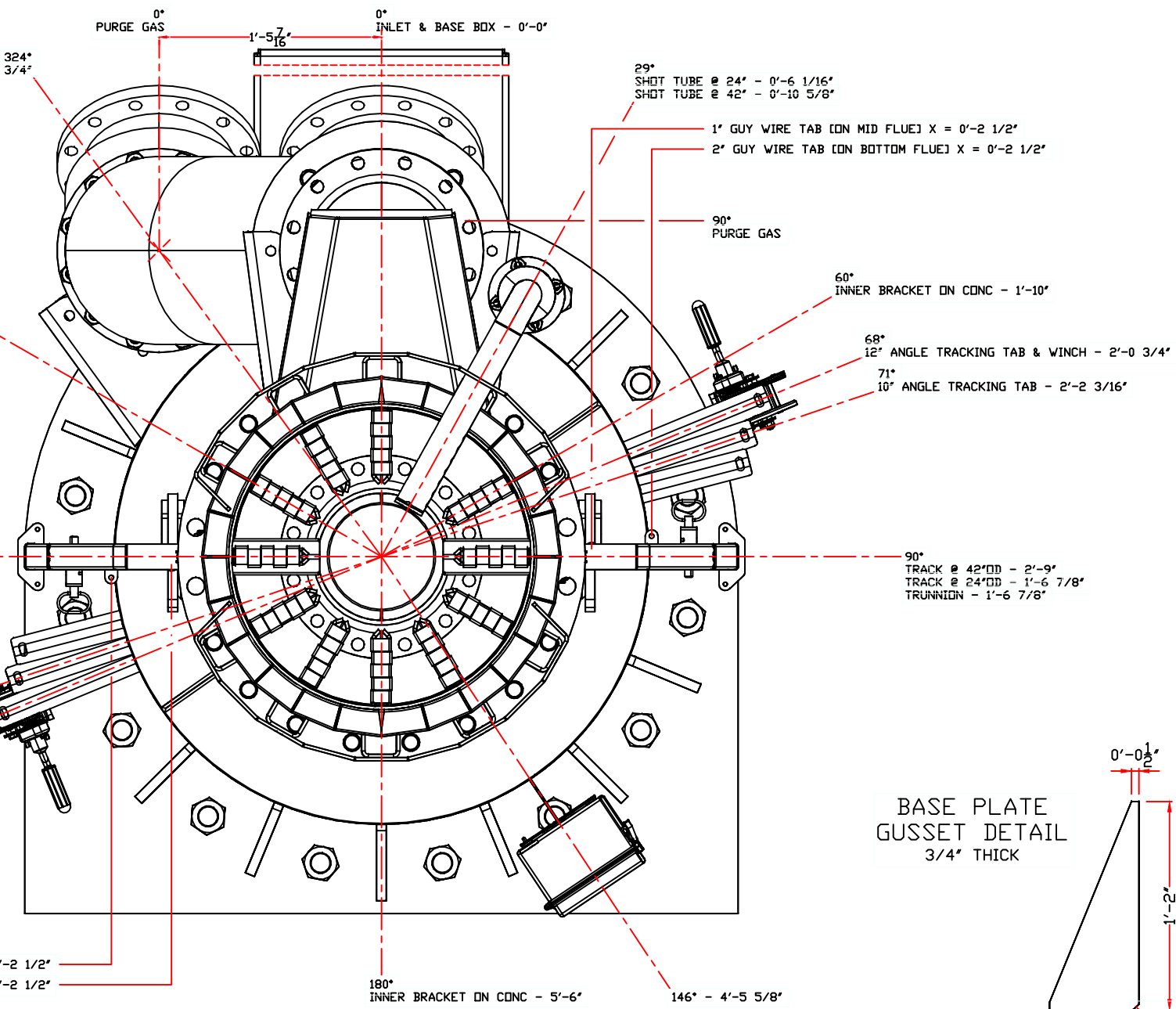
\* ALL ELEVATION MEASUREMENTS ARE FROM BOTTOM OF BASE PLATE  
 \* 1/8" WELD GAP HAS BEEN ACCOUNTED FOR IN ALL PIPE LENGTHS



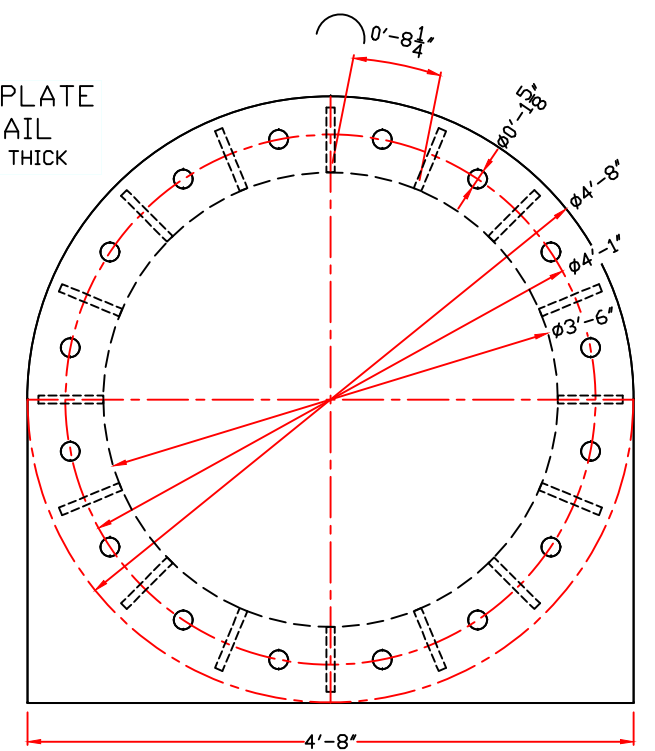


A SIDE

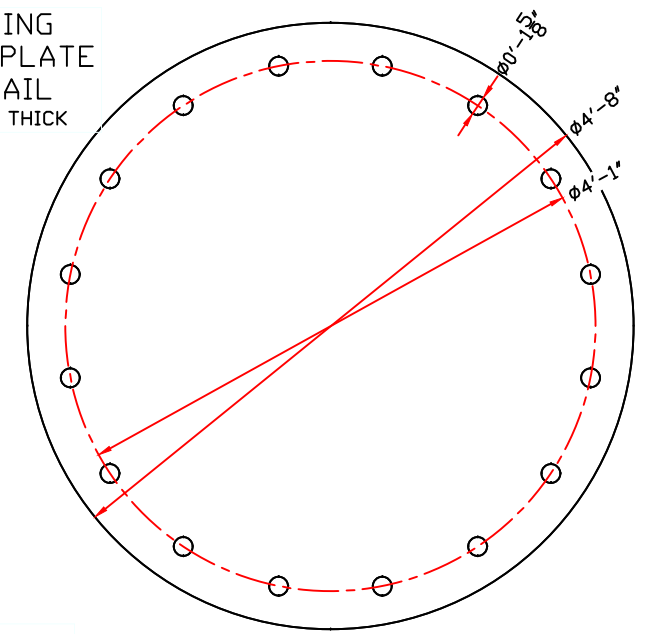
B SIDE



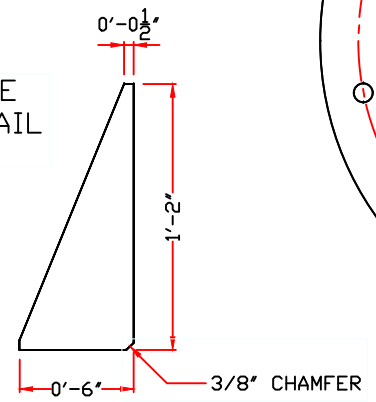
BASE PLATE  
DETAIL  
1 1/2" THICK



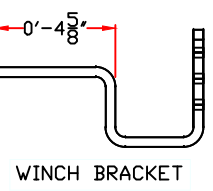
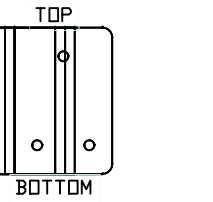
MATING  
BASE PLATE  
DETAIL  
1 1/2" THICK



BASE PLATE  
GUSSET DETAIL  
3/4" THICK



2020-01-14  
See cover letter for  
limitations of certification  
Basepoint file 19032-01



REV	DESCRIPTION	BY	Y	M	D	APP	Y	M	D
3	AS BUILT	DF	20	01	13				
2	ADDED SHOT TUBE	DF	19	11	14				
1	ISSUED FOR CONSTRUCTION	DF	19	10	28				
0	ISSUED FOR APPROVAL	DF	19	09	30				

FABRICATION CONTINUED		FABRICATION		IGNITION SYSTEM: DUAL PRISM PREMIER (24VDC) C1 D2, CSA CERT. B149.3 COMPLIANT		DWG BY: DF		DWG #: 10708		TITLE: Ø10' x 10' x 80'-0" TALL SELF SUPPORTED FLARE STACK	
BASE MOMENT: UNFACTORED: 375,000 FT-LBS FACTORED: 500,000 FT-LB (PER NBCC 2015 TABLE 4.1.3.2-A)		MAG PARTIAL PROCEDURE: SEE NOTES		WT EST: 23,500 LBS		DATE: 19 09 30		SALESPERSON: NEIL T		CUSTOMER: CHEVRON CANADA	
BASE HORIZONTAL: UNFACTORED: 9,300 LBS FACTORED: 12,350 LBS (PER NBCC 2015 TABLE 4.1.3.2-A)		IMPACT TESTING: NO		CORROSION ALLOWANCE: 0.125"		DESIGN BY: NEIL T		JOB#: 10708		QUOTE#: 7-17-19 S10x80AA STANTEC-CHEVRON	
BASE VERTICAL: UNFACTORED: 23,500 LB		COOLANT TRACING: NO		WPS #: PIS-2,6,7		PAINT: SANDBLAST SSPC-SP6 GLOSS BLACK FINISH CLOVERDALE ARMORSHEILD		MDMT: -45°C		PO#: 00119192 04	
ITEM 4.1 100% RADIOGRAPHY TO BE 31.3 SEVERE MPI ON LOAD BEARING WELDS (BASE & GUSSETS, INLET & REPAD, TRUNNIONS AIR INLET & REPAD, LP STANDOFFS)		QC PROGRAM #: -		PRISM INTEGRATED SOLUTIONS INC. ANY TECHNICAL DATA AND THE DESIGNS DISCLOSED AND/OR CONTAINED HEREIN ARE THE EXCLUSIVE PROPERTY OF PRISM INTEGRATED SOLUTIONS INC. THESE DESIGNS ARE NOT TO BE USED OR DISCLOSED TO OTHERS WITHOUT THE EXPRESS WRITTEN CONSENT OF PRISM INTEGRATED SOLUTIONS INC.		LOCATION / PROJECT: KAYBOB DUVERNAY PROJECT		SHEET: 8 OF 21		LSD: 15-06-062-21 W5M	
										REV: 3	



INTEGRATED SOLUTIONS INC.  
PHONE# (780) 582-3900  
FAX# (780) 582-3922  
TOLL FREE# 1-877-264-1050  
WEB SITE: www.prismcorp.net

REV	DESCRIPTION	BY	DATE	APP	REV	DESCRIPTION	BY	DATE	APP
0	ISSUED FOR APPROVAL	DF	19/09/30	M	1	ISSUED FOR CONSTRUCTION	DF	19/10/28	M
2	ADDED SHOT TUBE	DF	19/11/14	M	3	AS BUILT	DF	20/01/13	M

FABRICATION CONTINUED		FABRICATION	
BASE MOMENT: UNFACTORED: 375,000 FT-LBS FACTORED: 500,000 FT-LBS PER NBC 2015 TABLE 4.13.2-41	MAG PARTIAL PROCEDURE: SEE NOTES	IGNITION SYSTEM: DUAL PRISM PREMIER (24VDC) C1-D2, CSA CERT. B149.3 COMPLIANT	TITLE: Ø10" x 10" x 80'-0" TALL SELF SUPPORTED FLARE STACK
BASE HORIZONTAL: UNFACTORED: 9,300 LBS FACTORED: 12,350 LBS PER NBC 2015 TABLE 4.13.2-41	RADIATION: SEE NOTES	WT EST: 23,500 LBS	CHEVRON CANADA
BASE VERTICAL: UNFACTORED: 23,500 LB	IMPACT TESTING: NO	SALES PERSON: NEIL T	CUSTOMER: CHEVRON CANADA
ITEM 4.1: 100% RADIOGRAPHY TO BE 31.3 SEVERE (BASE & GUSSETS, INLET & REPAD, TRUNNIONS AIR INLET & REPAD, LP STANDOFFS)	COULANT TRACING: NO	NEIL T	DESIGN BY: NEIL T
	ALUM. CLADDING: NO		DATE: 19/09/30
	CORROSION ALLOWANCE: 0.125"		DESIGN BY: NEIL T
	WPS #: PIS-2.6.7		DATE: 19/09/30
	OC PROGRAM #: -45°C		DATE: 19/09/30
	MDMT:		DATE: 19/09/30
	PRISM INTEGRATED SOLUTIONS INC. CONTAINED HEREIN ARE THE EXCLUSIVE PROPERTY OF PRISM AND/OR INTEGRATED SOLUTIONS INC. THESE DESIGNS ARE NOT TO BE USED OR DISCLOSED TO OTHERS WITHOUT THE EXPRESS WRITTEN CONSENT OF PRISM INTEGRATED SOLUTIONS INC.		DATE: 19/09/30

LOCATION / PROJECT: KAYBOB DUVERNAVY PROJECT	JOB#: 17-17-19 S10X80AA	DESIGN BY: NEIL T	DATE: 19/09/30
	STANTEC-CHEVRON		
	SHEET: 9 OF 21		
	PO#: 00119192 04		
	REV: 3		
	INTEGRATED SOLUTIONS INC. PHONE# (780) 582-3900 FAX# (780) 582-3922 TOLL FREE# 1-877-264-1050 WEB SITE: www.prismscorp.net		

FITTINGS							
NO	QTY	SIZE	DESCRIPTION	RATING	MATERIAL SPEC	REMARKS	HEAT #
1	1	42" x 24"	CONC. REDUCER	STD	SA 420 WPL6	BOTTOM FLUE	
2	1	3/4"	FULL COUPLING	3000#	SA 350 LF2	PURGE GAS CONNECTION	
3	4	10"	45° ELBOW	STD	SA 420 WPL6	SECONDARY FLUE	
4	1	3/4"	HALF COUPLING	3000#	SA 350 LF2	PURGE GAS CONNECTION	
5	1	4" x 2"	CONC. REDUCER	STD	316 SS	SHOT TUBE	
6	1	2"	90° LR ELBOW	STD	316 SS	SHOT TUBE	
7	1	2"	HALF COUPLING	3000#	SA 350 LF2	SHOT TUBE	
8	1	2"	THREADED PLUG	3000#	SA 350 LF2	SHOT TUBE	

PIPE								
NO	QTY	SIZE	LENGTH	TYPE	SCH.	MATERIAL SPEC	REMARKS	HEAT #
11	1	42"	39'-11 9/16"	SMLS	STD	API5LBM PSL2/X42M	MAIN BOTTOM FLUE [-45 CHARPY]	
12	1	24"	30'-4 1/2"	SMLS	STD	SA 333 GR6	MAIN MID FLUE	
13	1	24"	4'-5 15/16"	SMLS	STD	316 SS	MAIN TIP	
14	1	10"	2'-10"	SMLS	STD	SA 333 GR6	INNER BOTTOM FLUE INLET	
15	1	10"	28'-7 5/16"	SMLS	STD	SA 333 GR6	INNER BOTTOM FLUE	
16	1	10"	30'-8 9/16"	SMLS	STD	SA 333 GR6	INNER MID FLUE	
17	1	10"	3'-10 15/16"	SMLS	STD	SA 333 GR6	INNER TIP	
18	1	10"	30'-1 3/8"	SMLS	STD	SA 333 GR6	SECONDARY BOTTOM FLUE	
19	1	10"	1'-0 1/8"	SMLS	STD	SA 333 GR6	SECONDARY MID FLUE	
20	1	10"	27'-4 1/2"	SMLS	STD	SA 333 GR6	SECONDARY MID FLUE	
21	1	10"	0'-3 13/16"	SMLS	STD	316 SS	SECONDARY TIP	
22	1	10"	3'-0 9/16"	SMLS	STD	316 SS	SECONDARY TIP	
23	2	6"	0'-4 1/2"	SMLS	XH	SA 333 GR6	TRUNNION	
24	1	2"	18'-0"	SMLS	STD	SA 333 GR6	SHOT TUBE	
25	2	2"	20'-0"	SMLS	STD	SA 333 GR6	SHOT TUBE	
26	1	2"	10'-11 1/2"	SMLS	STD	SA 333 GR6	SHOT TUBE	
27	1	2"	4'-5 1/2"	SMLS	STD	316 SS	SHOT TUBE	
28	1	2"	1'-4"	SMLS	STD	316 SS	SHOT TUBE	

FLANGES								
NO	QTY	SIZE	RATING	FACE	TYPE	MATERIAL SPEC	REMARKS	HEAT #
31	4	24"	150#	RF	WN	SA 350 LF2	BOTTOM / MID FLUE	
32	10	10"	150#	RF	WN	SA 350 LF2	INNER / SECONDARY FLUE	
33	4	2"	150#	RF	WN	SA 350 LF2	SHOT TUBE	

GASKETS								
NO	QTY	SIZE	THICK.	RATING	DESCRIPTION	MATERIAL SPEC	REMARKS	HEAT #
41	2	24"	1/8"	150#	FLEXITALLIC	316 SS GRAPHITE	BOTTOM / MID FLUE	
42	4	10"	1/8"	150#	FLEXITALLIC	316 SS GRAPHITE	INNER / SECONDARY FLUE	
43	2	2"	1/8"	150#	FLEXITALLIC	316 SS GRAPHITE	SHOT TUBE	

STUDS AND NUTS							
NO	QTY	DIAMETER	LENGTH	BOLT SPEC	NUT SPEC	REMARKS	HEAT #
51	1/16	1 1/2"	8"	SA 193 B7M	SA 194 2HM	BASE PLATE BOLTS	
52	2/20	1 1/4"	7 1/4"	SA 193 B7M	SA 194 2HM	24" CL150 RFWN BREAK SECTION	
53	4/12	7/8"	4 1/2"	SA 193 B7M	SA 194 2HM	10" CL150 RFWN BREAK SECTION	
54	2/4	5/8"	3 1/4"	SA 193 B7M	SA 194 2HM	2" CL150 RFWN BREAK SECTION	

IGNITION SYSTEM				
NO	QTY	DESCRIPTION	REMARKS	HEAT #
61	2	PRISM PREMIER PILOT - C1 D2, B149.3 COMPLIANT c/w CSA CERT.	45° HEAD	
62	1	FUEL GAS TRAIN c/w REGULATOR/FILTER	B149.3 COMPLIANT	
63	80'	x2 1/4" FUEL GAS HOSE c/w CSA CERT.	-	
64	2	PREMIER SAFETY FLARE CONTROL PANEL C1-D1 c/w CSA CERT.	B149.3 COMPLIANT	
65	1	BASE BOX	-	

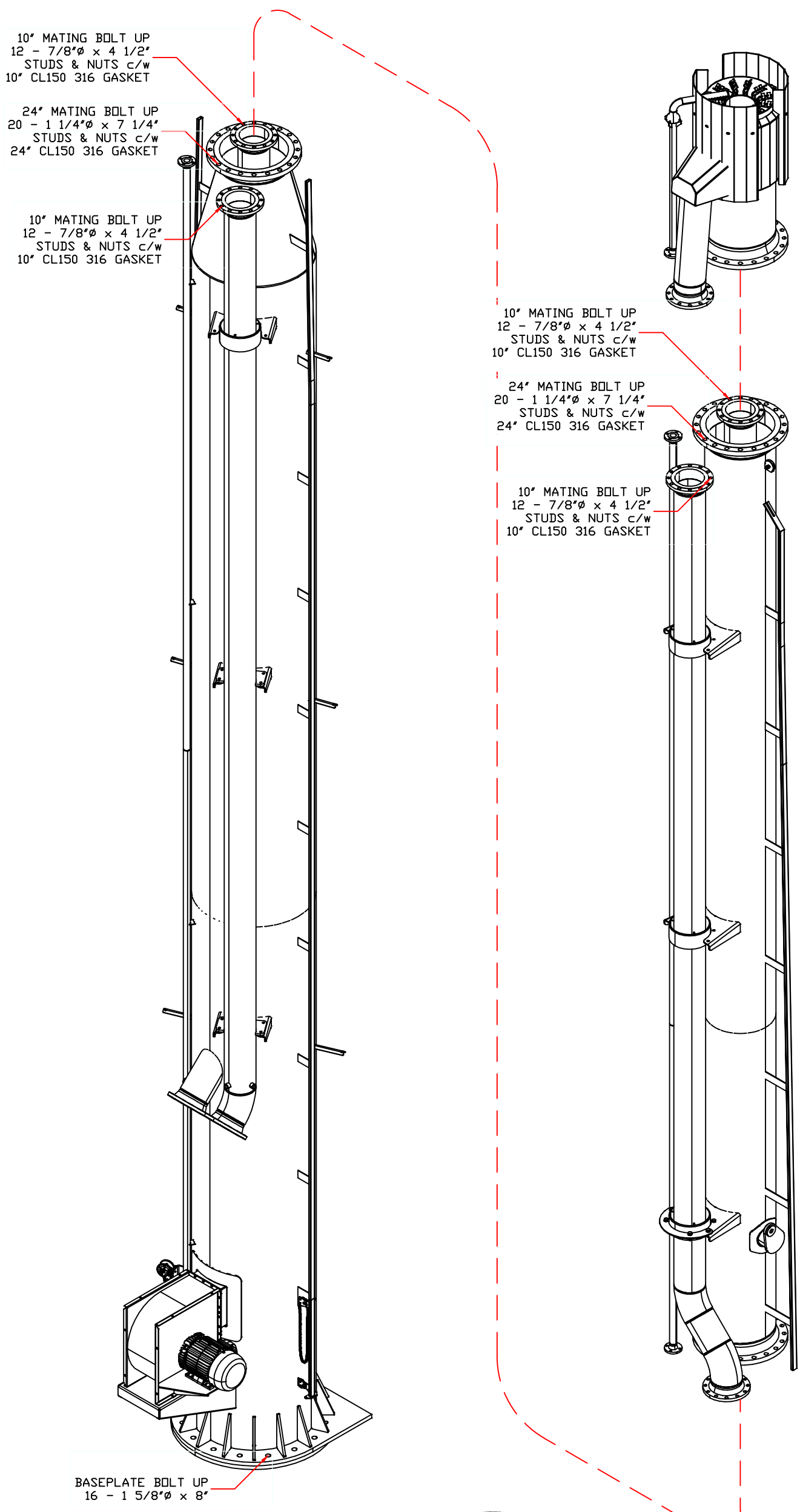
PLATE							
NO	QTY	THICK.	PART NUMBER	MATERIAL SPEC	REMARKS	HEAT #	
71	1	1 1/2"	-	SA 516 70N	BASE PLATE		
72	1	1 1/2"	-	SA 516 70N	MATING PLATE		
73	16	3/4"	-	SA 516 70N	BASE PLATE GUSSETS		
74	1	3/8"	-	SA 516 70N	FORMED BLOWER INLET		
75	1	3/8"	-	SA 516 70N	BLOWER INLET REPAD		
76	1	1/4"	-	SA 516 70N	BLOWER MOUNT		
77	1	1/4"	-	SA 516 70N	AIR DEFLECTOR		
78	2	1/2"	-	SA 516 70N	WINCH BRACKET		
79	1	1/4"	-	SA 516 70N	BASE BOX BRACKET		
80	3	3/8"	-	SA 516 70N	SECONDARY STACK MOUNT @42"		
81	3	3/8"	-	SA 516 70N	SECONDARY STACK MOUNT @24"		
82	3	1/4"	-	SA 516 70N	CONC BRACKETS		
83	2	3/4"	-	SA 516 70N	TRUNNION EAR		
84	2	1/2"	-	SA 516 70N	TRUNNION EAR EYELET		
85	2	3/8"	-	SA 516 70N	TRUNNION REPAD		
86	1	1/4"	-	304 SS	VELOCITY ARRESTOR		
87	1	1/4"	-	304 SS	WIND SHROUD		
88	2	3/4"	-	SA 516 70N	SECONDARY STACK MOUNT @10"		
89	4	3/8"	-	SA 516 70N	SECONDARY STACK MOUNT @10"		
90	2	1/8"	-	SA 36	HSS 2"x1"		
91	32	1/4"	-	SA 36	TRACK SUPPORT		
92	2	1/4"	-	SA 36	FORMED GUY ANGLE 11"LG		
93	2	1/4"	-	SA 36	FORMED GUY ANGLE 8 1/4"LG		
94							
95	2	1/4"	-	SA 36	2"x1" GUY TAB		
96	2	1/4"	-	SA 36	1"x1" GUY TAB		
97	4	1/4"	-	316 SS	CONC SUPPORT TABS		
98	1	1/4"	-	316 SS	SHOT TUBE TIP CAP		
99	4	1/4"	-	SA 36	SHOT TUBE SUPPORT		

MISCELLANEDUS				
NO	QTY	DESCRIPTION	REMARKS	HEAT #
111	2	WINCH, DAYTON MODEL # 12U373	WINCH	
112	2	PRISM STANDARD 304 WINCH CABLE PULLEY	PULLEY	
113	LOT	3/16" SS PILOT RETRACTING PULLEY CABLE	PULLEY CABLE	
114	1	2,500 SCFM @ 6"WC CHICAGO BLOWER	600V 3/60 TOSHIBA SHP CID2 VFD COMP. MOTOR	
115A	1	2" MINERAL WOOL INSUL. c/w 0.020" STUCCO EMBOSSED ALUM. CLADDING	INSULATION [SEE PG.2]	HEAT TRACE
115A	1	2" MINERAL WOOL INSUL. c/w 0.020" 304 SS CLADDING	INSULATION [SEE PG.2]	HEAT TRACE
116	1	24W/FT 30AMP 120V ELECTRICAL HEAT TRACE c/w ALL REQUIRED POWER KIT CONNS.	HEAT TRACE	



2020-01-14  
See cover letter for limitations of certification  
Basepoint file 19032-01

ALL STAINLESS INSTRUMENT FITTINGS TO BE SWAGelok



REV	DESCRIPTION	BY	DATE	APP	REV	DESCRIPTION	BY	DATE	APP
0	ISSUED FOR APPROVAL	DF	19/09/30	M	0	ISSUED FOR APPROVAL	DF	19/09/30	M
1	ISSUED FOR CONSTRUCTION	DF	19/10/28	M	1	ISSUED FOR CONSTRUCTION	DF	19/10/28	M
2	ADDED SHOT TUBE	DF	19/11/14	M	2	ADDED SHOT TUBE	DF	19/11/14	M
3	AS BUILT	DF	20/01/13	M	3	AS BUILT	DF	20/01/13	M

FABRICATION CONTINUED		FABRICATION	
BASE MOMENT: UNFACTORED: 375,000 FT-LBS FACTORED: 500,000 FT-LB PER NBCC 2015 TABLE 4.13.2-41	MAG PARTIAL PROCEDURE: SEE NOTES	DWG BY:	DWG #:
BASE HORIZONTAL: UNFACTORED: 9,300 LBS FACTORED: 12,350 LBS PER NBCC 2015 TABLE 4.13.2-41	RADIOGRAPHY: SEE NOTES	DATE:	19/09/30
BASE VERTICAL: UNFACTORED: 23,500 LB	IMPACT TESTING: ND	DESIGN BY:	NEIL T
ITEM#1	ALUM CLADDING: ND	JOB#:	17-17-19 S10X80AA
100% RADIOGRAPHY TO BE 31.3 SEVERE	CORROSION ALLOWANCE: 0.125"	QUOTE#:	STANTEC-CHEVRON
(BASE & GUSSETS, INLET & REPAD, TRUNNIONS	WPS #: PIS-2.6.7	SHEET:	10 OF 21
AIR INLET & REPAD, LP STANDOFFS)	QC PROGRAM #:	CUSTOMER:	CHEVRON CANADA
	MDMT: -45°C	PG#:	00119192 04
	ANY TECHNICAL DATA AND THE DECISIONS DISCLOSED AND/OR	LOCATION / PROJECT:	KAYBOB DUVERNAY PROJECT
	INTEGRATED SOLUTIONS INC. THESE DESIGNS ARE NOT TO BE		
	USED OR DISCLOSED TO OTHERS WITHOUT THE EXPRESS		
	WRITTEN CONSENT OF PRISM INTEGRATED SOLUTIONS INC.		

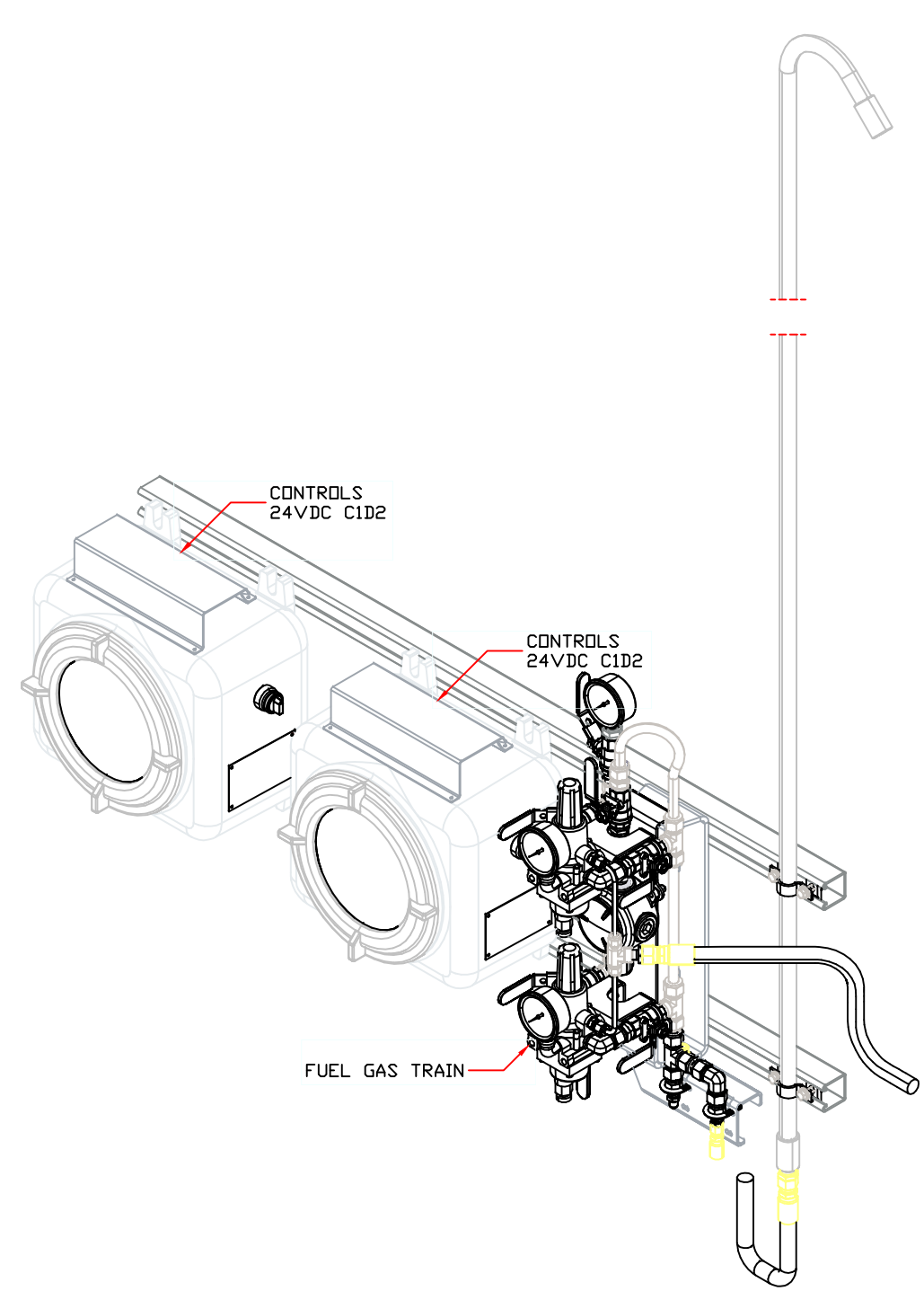
TITLE:	Ignition System: DUAL PRISM PREMIER (24VDC) C1 D2, CSA CERT. B149.3 COMPLIANT
WT EST:	23,500 LBS
SALES PERSON:	NEIL T
DATE:	19/09/30
DESIGN BY:	NEIL T
JOB#:	17-17-19 S10X80AA
QUOTE#:	STANTEC-CHEVRON
CUSTOMER:	CHEVRON CANADA
PG#:	00119192 04
DATE:	15-06-06-21 WSM

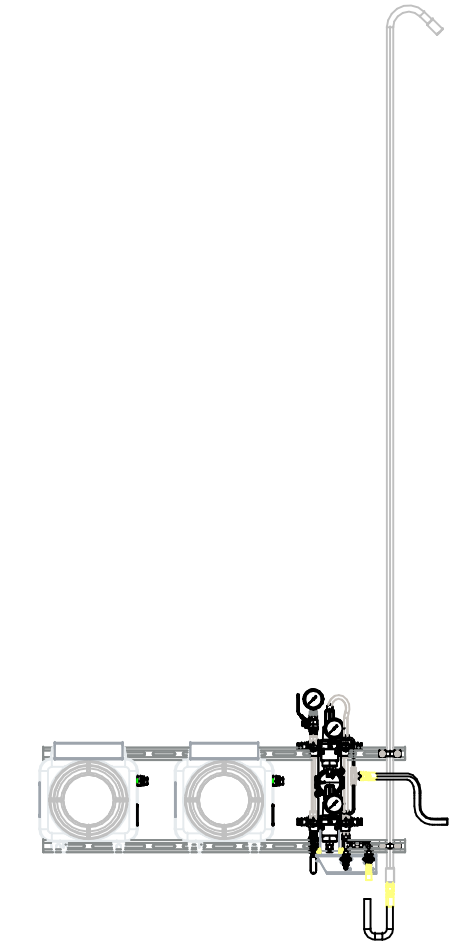
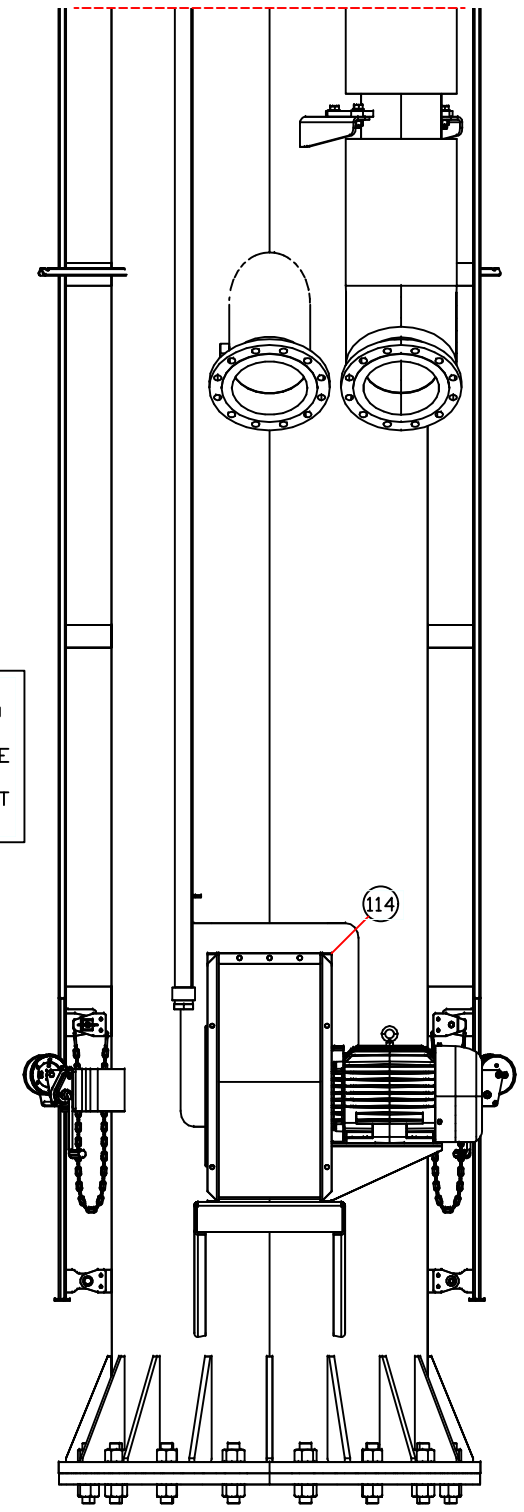
INTEGRATED SOLUTIONS INC.	PHONE# (780) 582-3900
	FAX# (780) 582-3922
	TOLL FREE# 1-877-264-1050
	WEB SITE: www.prismcorp.net



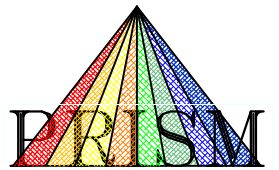
2020-01-14  
See cover letter for limitations of certification  
Basepoint file 19032-01

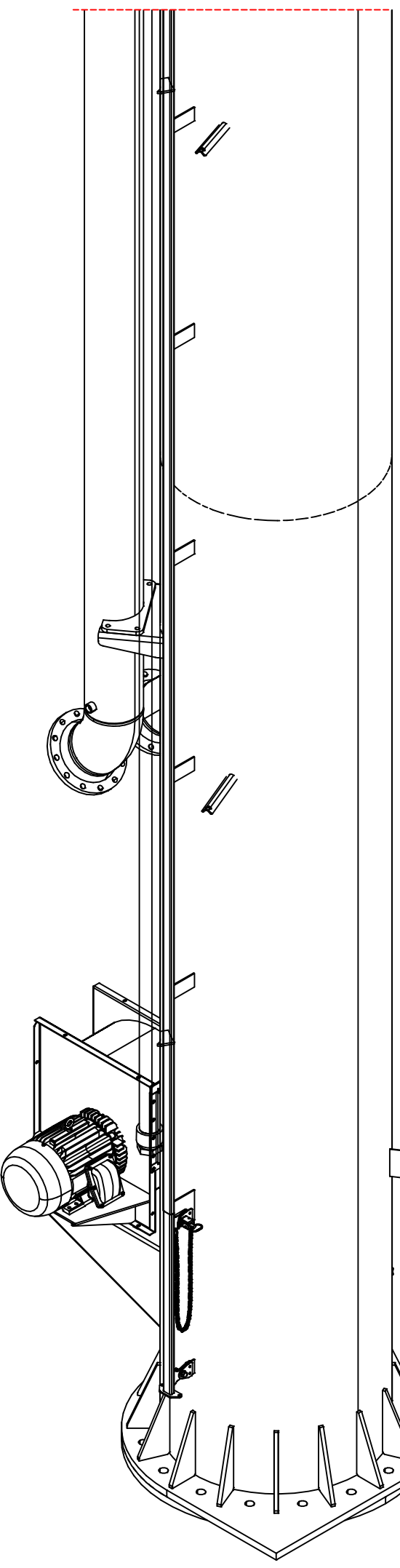
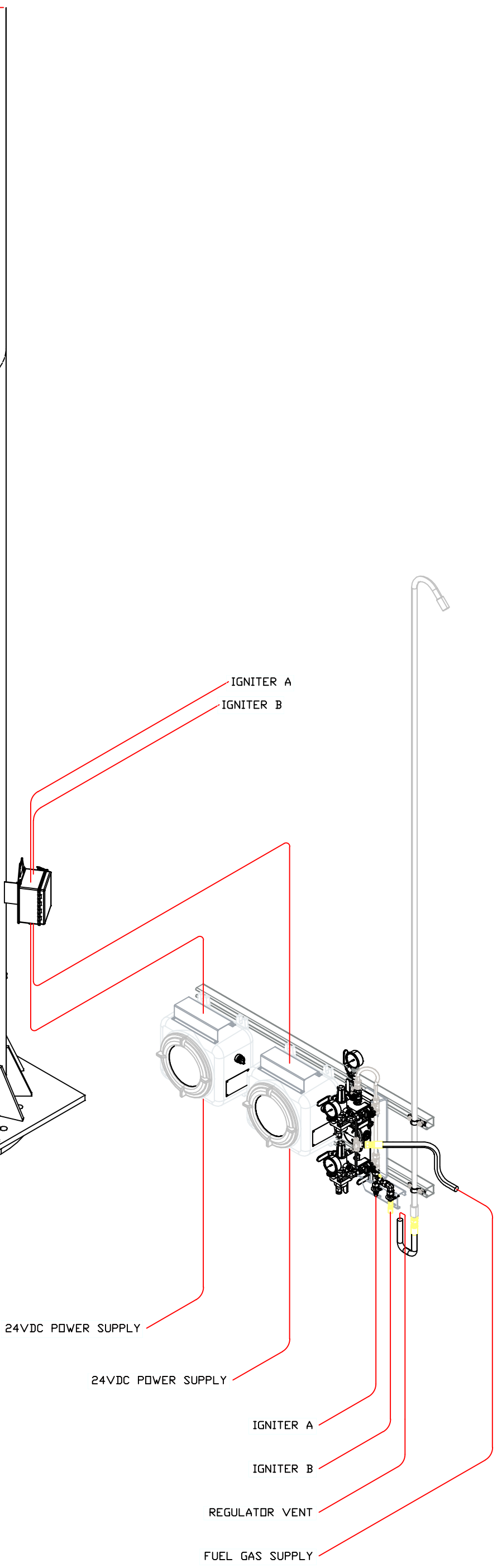


REMOTE MOUNTED CONTROLS. FUEL GAS TRAIN CAN BE MOUNTED ON THE STACK IF DESIRED. UNISTRUT, SIGNAL CABLES, OR THE HOSES FROM REMOTE CONTROL LOCATION TO THE PILOTS ARE NOT SUPPLIED, UNLESS SPECIFIED.



2020-01-14  
See cover letter for limitations of certification  
Basepoint file 19032-01

		FABRICATION CONTINUED		FABRICATION		IGNITION SYSTEM: DUAL PRISM PREMIER (24VDC) C1 D2, CSA CERT. B149.3 COMPLIANT		DWG BY: DF		DWG #: 10708		TITLE: Ø10' x 10' x 80'-0" TALL SELF SUPPORTED FLARE STACK		 <b>INTEGRATED SOLUTIONS INC.</b> PHONE# (780) 582-3900 FAX# (780) 582-3922 TOLL FREE# 1-877-264-1050 WEB SITE: www.prismcorp.net
3	AS BUILT	DF	20 01 13	BASE MOMENT: UNFACTORED: 375,000 FT-LBS FACTORED: 500,000 FT-LB (PER NBCC 2015 TABLE 4.1.32-A)	MAG PARTIAL PROCEDURE: SEE NOTES RADIOGRAPHY: SEE NOTES	WT EST: 23,500 LBS	SALESPERSON: NEIL T	DATE: 19 09 30 Y M D	DESIGN BY: NEIL T		CUSTOMER: CHEVRON CANADA			
2	ADDED SHOT TUBE	DF	19 11 14	BASE HORIZONTAL: UNFACTORED: 9,300 LBS FACTORED: 12,350 LBS (PER NBCC 2015 TABLE 4.1.32-A)	IMPACT TESTING: NO COOLANT TRACING: NO			JOB#: QUOTE#: 10708 7-17-19 S10x80AA STANTEC-CHEVRON		PO#: 00119192 04				
1	ISSUED FOR CONSTRUCTION	DF	19 10 28	BASE VERTICAL: UNFACTORED: 23,500 LB	ALUM. CLADDING: NO CORROSION ALLOWANCE: 0.125"	PAINT: SANDBLAST SSPC-SP6 GLOSS BLACK FINISH CLOVERDALE ARMORSHEILD		SHEET: 11 OF 21		LSD: 15-06-062-21 W5M		REV: 3		
0	ISSUED FOR APPROVAL	DF	19 09 30	ITEM4.1 100% RADIOGRAPHY TO BE 3I.3 SEVERE MPI ON LOAD BEARING WELDS (BASE & GUSSETS, INLET & REPAD, TRUNNIONS AIR INLET & REPAD, LP STANDOFFS)	WPS #: PIS-2,6,7 QC PROGRAM #: - MDMT: -45°C	LOCATION / PROJECT: KAYBOB DUVERNAY PROJECT								
REV	DESCRIPTION	BY	Y M D	PRISM INTEGRATED SOLUTIONS INC. ANY TECHNICAL DATA AND THE DESIGNS DISCLOSED AND/OR CONTAINED HEREIN ARE THE EXCLUSIVE PROPERTY OF PRISM INTEGRATED SOLUTIONS INC. THESE DESIGNS ARE NOT TO BE USED OR DISCLOSED TO OTHERS WITHOUT THE EXPRESS WRITTEN CONSENT OF PRISM INTEGRATED SOLUTIONS INC.										



2020-01-14  
See cover letter for limitations of certification  
Basepoint file 19032-01

REV		DESCRIPTION	BY	DATE	APPROVED
0	ISSUED FOR APPROVAL	DF	Y	19/09/30	M
1	ISSUED FOR CONSTRUCTION	DF	Y	19/10/28	M
2	ADDED SHOT TUBE	DF	Y	19/11/14	M
3	AS BUILT	DF	Y	20/01/13	M

FABRICATION CONTINUED		FABRICATION	
BASE MOMENT:	UNFACTORED: 375,000 FT-LBS	MAG PARTIAL PROCEDURE:	SEE NOTES
	FACTORED: 500,000 FT-LB PER NBC 2015 TABLE 4.13.2-4)	RADIOGRAPHY:	SEE NOTES
BASE HORIZONTAL:	UNFACTORED: 9,300 LBS	IMPACT TESTING:	NO
	FACTORED: 12,300 LBS PER NBC 2015 TABLE 4.13.2-4)	COULANT TRACING:	NO
BASE VERTICAL:	UNFACTORED: 23,500 LB	ALUM. CLADDING:	NO
		CORROSION ALLOWANCE:	0.125"
ITEM 4.1	100% RADIOGRAPHY TO BE 31.3 SEVERE	WPS #:	PIS-2.6.7
	(BASE & GUSSETS, INLET & REPAID, TRUNNIONS	QC PROGRAM #:	-
	AIR INLET & REPAID, LP STANDOFFS)	MDMT:	-45°C
PRISM INTEGRATED SOLUTIONS INC. - ANY TECHNICAL DATA AND THE DESIGN'S DISCLOSED AND/OR CONTAINED HEREIN ARE THE EXCLUSIVE PROPERTY OF PRISM INTEGRATED SOLUTIONS INC. THESE DESIGNS ARE NOT TO BE USED OR DISCLOSED TO OTHERS WITHOUT THE EXPRESS WRITTEN CONSENT OF PRISM INTEGRATED SOLUTIONS INC.			

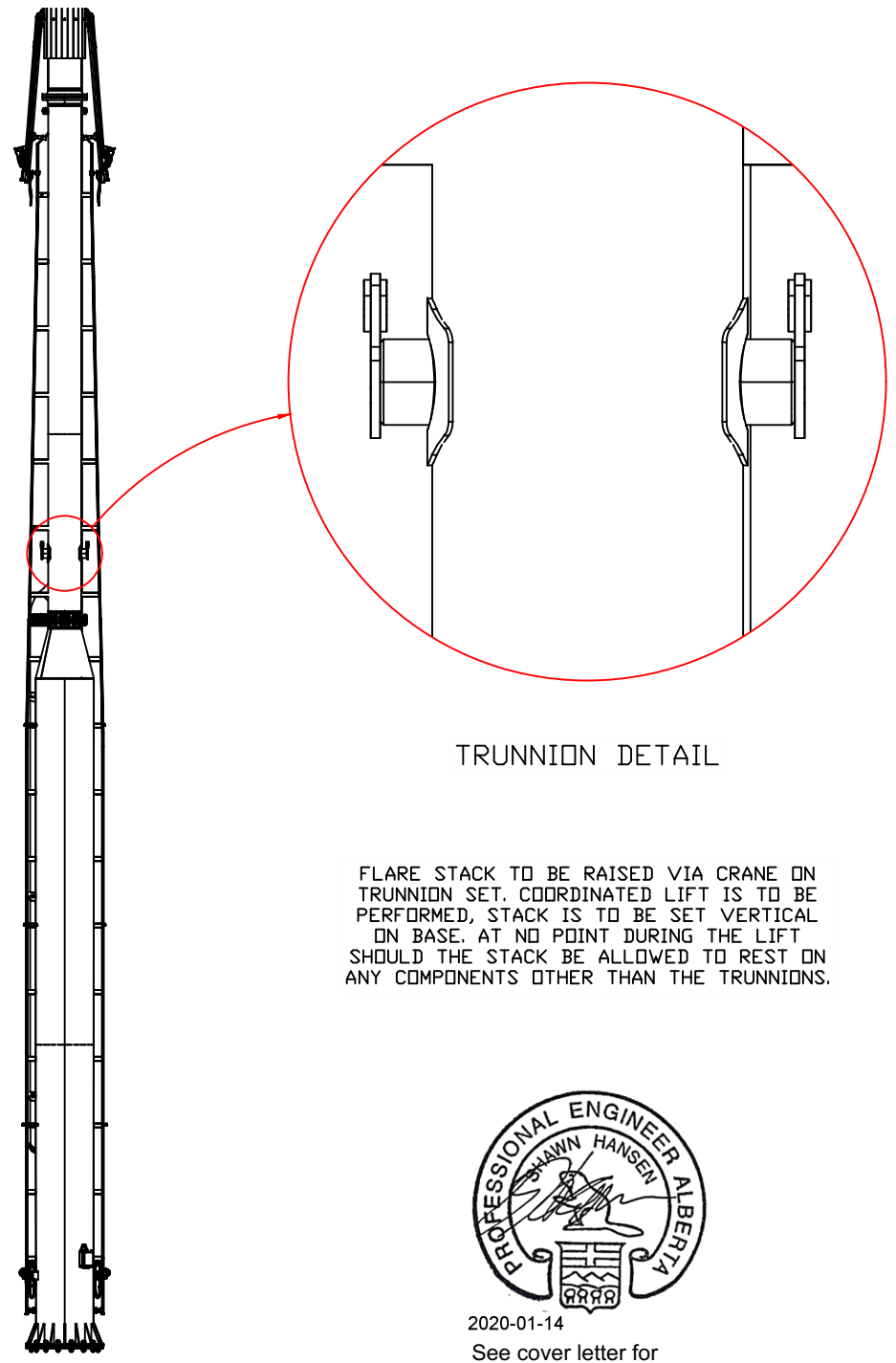
IGNITION SYSTEM:		DWG BY:	DWG #:
DUAL PRISM PREMIER (24VDC)		DF	10708
CI DP, CSA CERT.		DATE:	19/09/30
B149.3 COMPLIANT		DESIGN BY:	NEIL T
SALES PERSON:		JOB #:	17-17-19 S10X80AA
NEIL T		QUOTE #:	STANTEC-CHEVRON
		SHEET:	12 OF 21

TITLE:		CUSTOMER:	
ø10" x 10" x 80'-0" TALL SELF SUPPORTED FLARE STACK		CHEVRON CANADA	
PROJECT:		PJM:	
KAYBOB DUVERNAVY PROJECT		00119192 04	
LOCATION / PROJECT:		LSD:	
KAYBOB DUVERNAVY PROJECT		15-06-062-21 WSM	

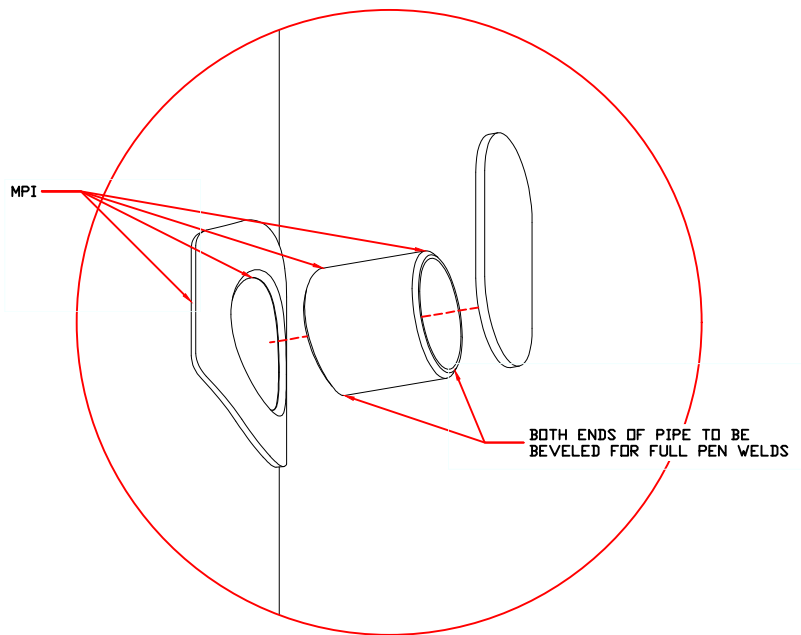
  

INTEGRATED SOLUTIONS INC.	PHONE# (780) 582-3900
	FAX# (780) 582-3922
	TOLL FREE# 1-877-264-1050
	WEB SITE: www.prismcorp.net



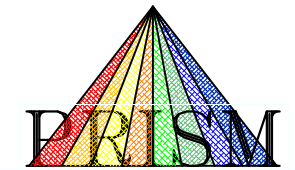
TRUNNION DETAIL

FLARE STACK TO BE RAISED VIA CRANE ON TRUNNION SET. COORDINATED LIFT IS TO BE PERFORMED, STACK IS TO BE SET VERTICAL ON BASE. AT NO POINT DURING THE LIFT SHOULD THE STACK BE ALLOWED TO REST ON ANY COMPONENTS OTHER THAN THE TRUNNIONS.

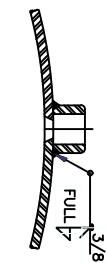
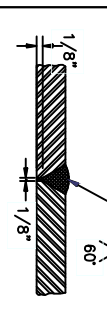
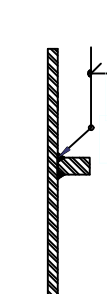
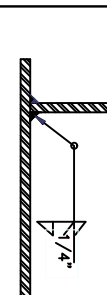
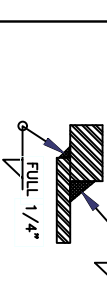

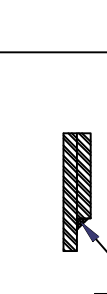


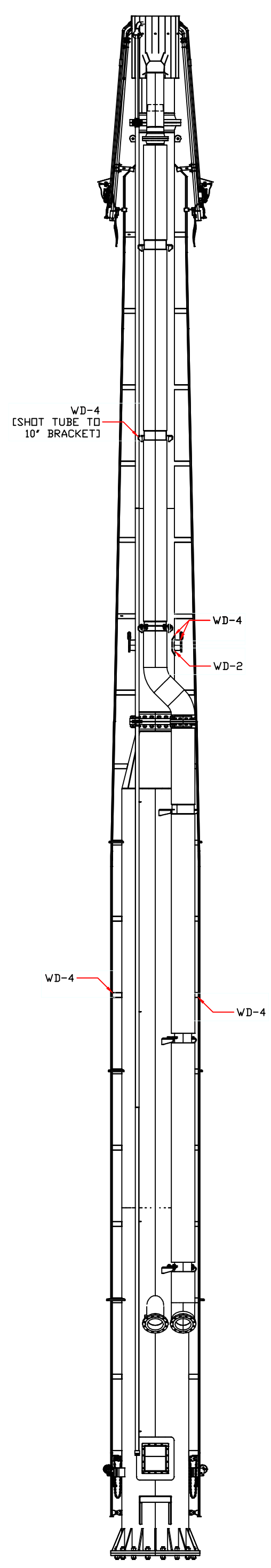
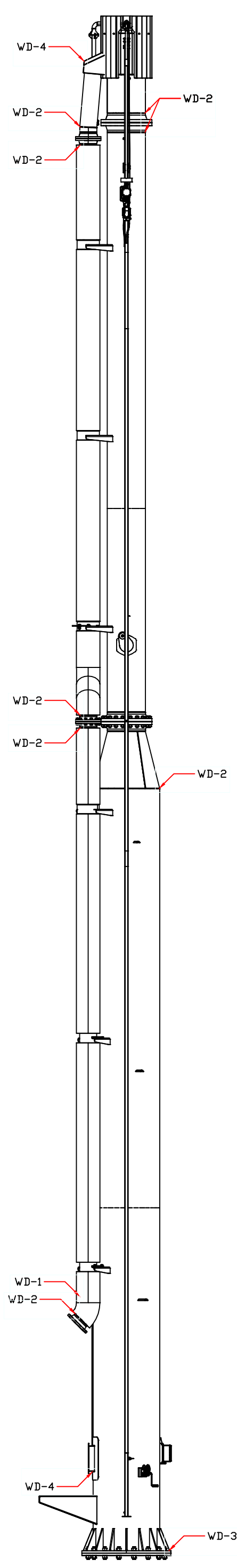
2020-01-14  
See cover letter for limitations of certification  
Basepoint file 19032-01

		FABRICATION CONTINUED			FABRICATION			IGNITION SYSTEM: DUAL PRISM PREMIER (24VDC) C1 D2, CSA CERT. B149.3 COMPLIANT		DWG BY: DF		DWG #: 10708		TITLE: Ø10' x 10' x 80'-0" TALL SELF SUPPORTED FLARE STACK	
3	AS BUILT	DF	20	01	13	BASE MOMENT: UNFACTORED: 375,000 FT-LBS FACTORED: 500,000 FT-LB (PER NBCC 2015 TABLE 4.1.32-A)	MAG PARTIAL PROCEDURE: SEE NOTES	WT EST: 23,500 LBS		SALESPERSON: NEIL T		DATE: 19 09 30 Y M D		CUSTOMER: CHEVRON CANADA	
2	ADDED SHOT TUBE	DF	19	11	14	BASE HORIZONTAL: UNFACTORED: 9,300 LBS FACTORED: 12,350 LBS (PER NBCC 2015 TABLE 4.1.32-A)	RADIOGRAPHY: SEE NOTES	CORROSION ALLOWANCE: 0.125"		DESIGN BY: NEIL T		JOB#: QUOTE#: 10708 7-17-19 S10x80AA STANTEC-CHEVRON		PO#: 00119192 04	
1	ISSUED FOR CONSTRUCTION	DF	19	10	28	BASE VERTICAL: UNFACTORED: 23,500 LB	IMPACT TESTING: NO	PAINT: SANDBLAST SSPC-SP6 GLOSS BLACK FINISH CLOVERDALE ARMORSHEILD		SHEET: 13 OF 21		LSD: 15-06-062-21 W5M		REV: 3	
0	ISSUED FOR APPROVAL	DF	19	09	30	ITEM4.1 100% RADIOGRAPHY TO BE 31.3 SEVERE MPI ON LOAD BEARING WELDS (BASE & GUSSETS, INLET & REPAD, TRUNNIONS AIR INLET & REPAD, LP STANDOFFS)	COOLANT TRACING: NO	LOCATION / PROJECT: KAYBOB DUVERNAY PROJECT							
REV	DESCRIPTION	BY	Y	M	D		ALUM. CLADDING: NO								
		APP	Y	M	D		QC PROGRAM #: -								
							MDMT: -45°C								
							WPS #: PIS-2,6,7								
							PRISM INTEGRATED SOLUTIONS INC. ANY TECHNICAL DATA AND THE DESIGNS DISCLOSED AND/OR CONTAINED HEREIN ARE THE EXCLUSIVE PROPERTY OF PRISM INTEGRATED SOLUTIONS INC. THESE DESIGNS ARE NOT TO BE USED OR DISCLOSED TO OTHERS WITHOUT THE EXPRESS WRITTEN CONSENT OF PRISM INTEGRATED SOLUTIONS INC.								



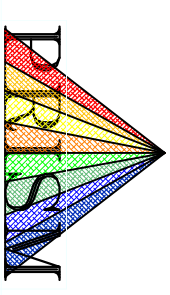
**INTEGRATED SOLUTIONS INC.**  
PHONE# (780) 582-3900  
FAX# (780) 582-3922  
TOLL FREE# 1-877-264-1050  
WEB SITE: www.prismcorp.net

WELD DETAIL 1	WELD DETAIL 2	WELD DETAIL 3	WELD DETAIL 4	WELD DETAIL 5	WELD DETAIL 6	WELD DETAIL 7
						
Weld Procedure PIS-1	Weld Procedure PIS-2, PIS-7	Weld Procedure PIS-2	Weld Procedure PIS-2	Weld Procedure PIS-2	Weld Procedure PIS-1, PIS-2, PIS-6, PIS-7	Weld Procedure PIS-2



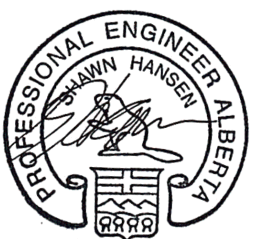
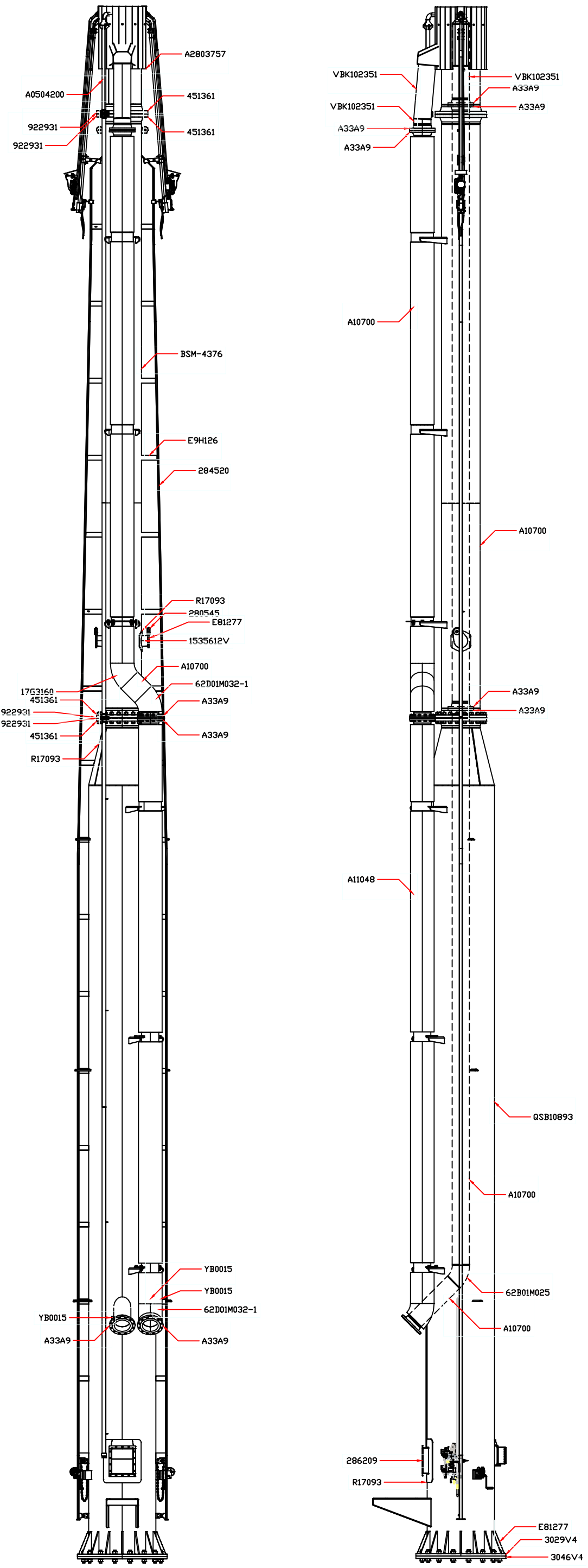
REV	DESCRIPTION	BY	DATE	APP	FABRICATION CONTINUED	FABRICATION	IGNITION SYSTEM:	DWG BY:	DWG #:	TITLE:	INTEGRATED SOLUTIONS INC.
0	ISSUED FOR APPROVAL	DF	19/09/30	M	BASE MOMENT: UNFACTORED: 375,000 FT-LBS FACTORED: 500,000 FT-LB PER NBC 2015 TABLE 4.3.2-4)	MAG PARTIAL PROCEDURE: SEE NOTES	DUAL PRISM PREMIER (24VDC) C1 D2, CSA CERT. B149.3 COMPLIANT	DF	10708	ø10" x 10" x 80'-0" TALL SELF SUPPORTED FLARE STACK	PHONE# (780) 582-3900
1	ISSUED FOR CONSTRUCTION	DF	19/10/28	M	BASE HORIZONTAL: UNFACTORED: 9,300 LBS FACTORED: 12,350 LBS PER NBC 2015 TABLE 4.3.2-4)	RADIOGRAPHY: SEE NOTES	WT EST: 23,500 LBS	Y	09/30	CHEVRON CANADA	FAX# (780) 582-3922
2	ADDED SHOT TUBE	DF	19/11/14	M	BASE VERTICAL: UNFACTORED: 23,500 LB	IMPACT TESTING: ND	SALES PERSON: NEIL T	M			TOLL FREE# 1-877-264-1050
3	AS BUILT	DF	20/01/13	M	ITEM 4.1 100% RADIOGRAPHY TO BE 31.3 SEVERE (BASE & GUSSETS, INLET & REPAIR, TRUNNIONS AIR INLET & REPAIR, LP STANDOFFS)	COULANT TRACING: ND	NEIL T	D			WEB SITE: www.prismcorp.net

2020-01-14  
See cover letter for limitations of certification  
Basepoint file 19032-01



INTEGRATED SOLUTIONS INC.  
PHONE# (780) 582-3900  
FAX# (780) 582-3922  
TOLL FREE# 1-877-264-1050  
WEB SITE: www.prismcorp.net

HEAT # MAP  
FOR PRISM USE ONLY



2020-01-14  
See cover letter for limitations of certification  
Basepoint file 19032-01

REV	DESCRIPTION	BY	DATE	APP	M	D
0	ISSUED FOR APPROVAL	DF	19/09/30	Y	M	D
1	ISSUED FOR CONSTRUCTION	DF	19/10/28	Y	M	D
2	ADDED SHOT TUBE	DF	19/11/14	Y	M	D
3	AS BUILT	DF	20/01/13	Y	M	D

FABRICATION CONTINUED		FABRICATION	
BASE MOMENT:	UNFACTORED: 375,000 FT-LBS	MAG PARTIAL PROCEDURE:	SEE NOTES
FACTORED: 500,000 FT-LB PER NBC 2015 TABLE 4.13.2-4)		RADIOGRAPHY:	SEE NOTES
BASE HORIZONTAL:	UNFACTORED: 9,300 LBS	IMPACT TESTING:	ND
FACTORED: 12,300 LBS PER NBC 2015 TABLE 4.13.2-4)		COULANT TRACING:	ND
BASE VERTICAL:	UNFACTORED: 23,500 LB	ALUM. CLADDING:	ND
		CORROSION ALLOWANCE:	0.125"
ITEM 4.1	100% RADIOGRAPHY TO BE 31.3 SEVERE	WPS #:	PIS-2.6.7
	(BASE & GUSSETS, INLET & REPAD), TRUNNIONS	QC PROGRAM #:	-
	AIR INLET & REPAD, LP STANDOFFS)	MDMT:	-45°C
		ANY TECHNICAL DATA AND THE DESIGN'S DISCLOSED AND/OR	
		CONTAINED HEREIN ARE THE EXCLUSIVE PROPERTY OF PRISM	
		INTEGRATED SOLUTIONS INC. THESE DESIGNS ARE NOT TO BE	
		USED OR DISCLOSED TO OTHERS WITHOUT THE EXPRESS	
		WRITTEN CONSENT OF PRISM INTEGRATED SOLUTIONS INC.	

IGNITION SYSTEM:		DWG BY:	DWG #:
DUAL PRISM PREMIER (24VDC)		DF	10708
CI DP, CSA CERT.		DATE:	19/09/30
B149.3 COMPLIANT		DESIGN BY:	NEIL T
SALES PERSON:		JOB #:	17-17-19 S10X80AA
WT EST: 23,500 LBS		QUOTE #:	10708
NEIL T		STANTEC-CHEVRON	
		SHEET:	15 OF 21

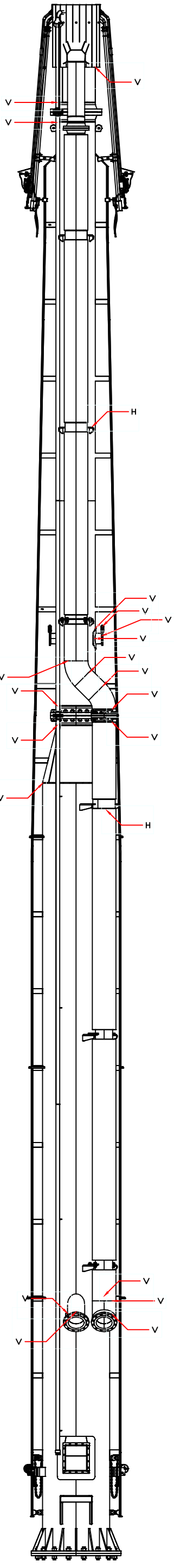
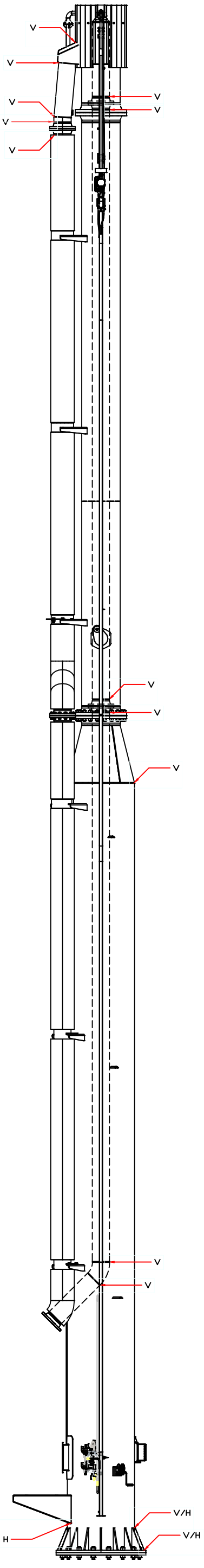
TITLE:		CUSTOMER:	
ø10" x 10" x 80'-0" TALL		CHEVRON CANADA	
SELF SUPPORTED			
FLARE STACK			

INTEGRATED SOLUTIONS INC.	
PHONE# (780) 582-3900	
FAX# (780) 582-3922	
TOLL FREE# 1-877-264-1050	
WEB SITE: www.prismcorp.net	



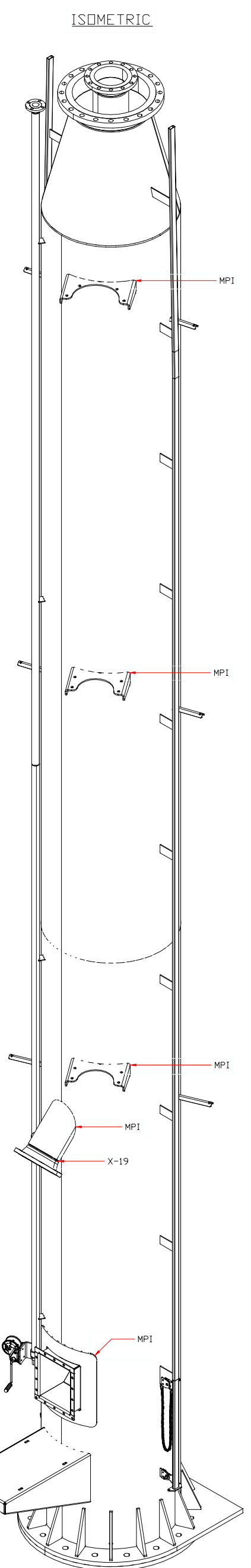
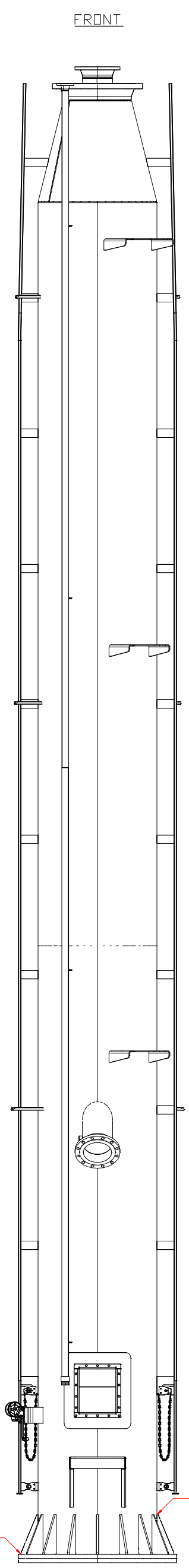
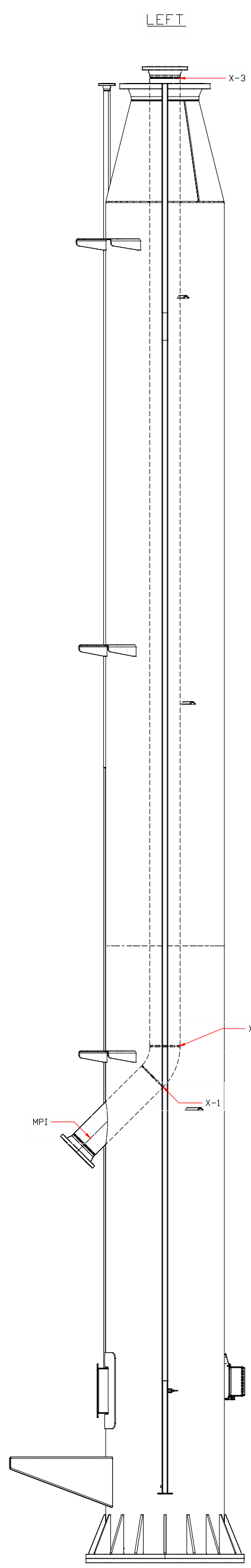
WELDER ID MAP  
FOR PRISM USE ONLY



2020-01-14  
See cover letter for  
limitations of certification  
Basepoint file 19032-01

REV		DESCRIPTION	BY	DATE	APP	BY	DATE	APP	FABRICATION CONTINUED	FABRICATION	IGNITION SYSTEM:	DWG BY:	DWG #:	TITLE:	REVISIONS	
0	ISSUED FOR APPROVAL	DF	19	09	30	DF	19	09	BASE MOMENT: FACTORED: 500,000 FT-LB PER NBCC 2015 TABLE 4.13.2-4)	MAG PARTIAL PROCEDURE: SEE NOTES	DUAL PRISM PREMIER (24VDC)	DF	10708	ø10" x 10" x 80'-0" TALL SELF SUPPORTED FLARE STACK	3	
1	ISSUED FOR CONSTRUCTION	DF	19	10	28	DF	19	10	BASE HORIZONTAL: FACTORED: 9,300 LBS	RADIOPHAPY: SEE NOTES	WT EST: 23,500 LBS	19	09	CHEVRON CANADA	INTEGRATED SOLUTIONS INC. PHONE# (780) 582-3900 FAX# (780) 582-3922 TOLL FREE# 1-877-264-1050 WEB SITE: www.prismscorp.net	
2	ADDED SHOT TUBE	DF	19	11	14	DF	19	11	BASE VERTICAL: FACTORED: 23,500 LB	IMPACT TESTING: ND	SALESPERSON: NEIL T	Y	09			
3	AS BUILT	DF	20	01	13	DF	20	01	ITEM 4.1 100% RADIOGRAPHY TO BE 31.3 SEVERE (BASE & GUSSETS, INLET & REPAD, TRUNNIONS AIR INLET & REPAD, LP STANDOFFS)	QC PROGRAM #: -45°C	PAINT: SANDBLAST SSPC-SP6 GLOSS BLACK FINISH CLEVERDALE ARMORSHIELD	M	09			
										DMT: -	LOCATION / PROJECT: KAYBOB DUVERNAY PROJECT					

NDE MAP 1  
FOR PRISM USE ONLY

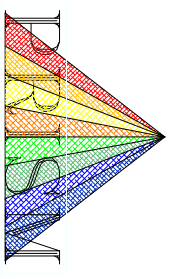


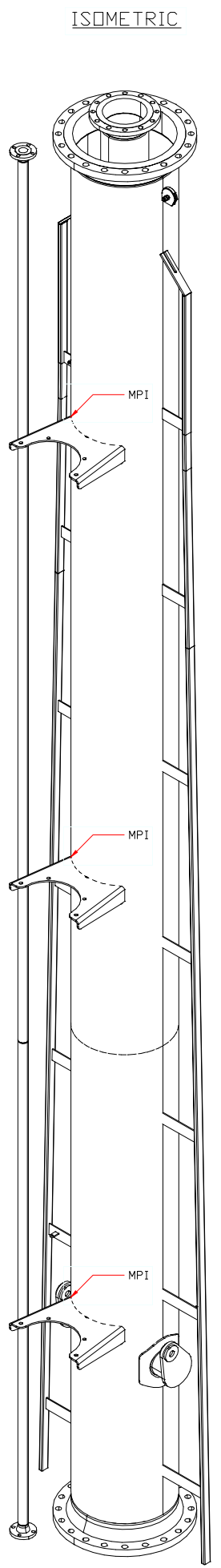
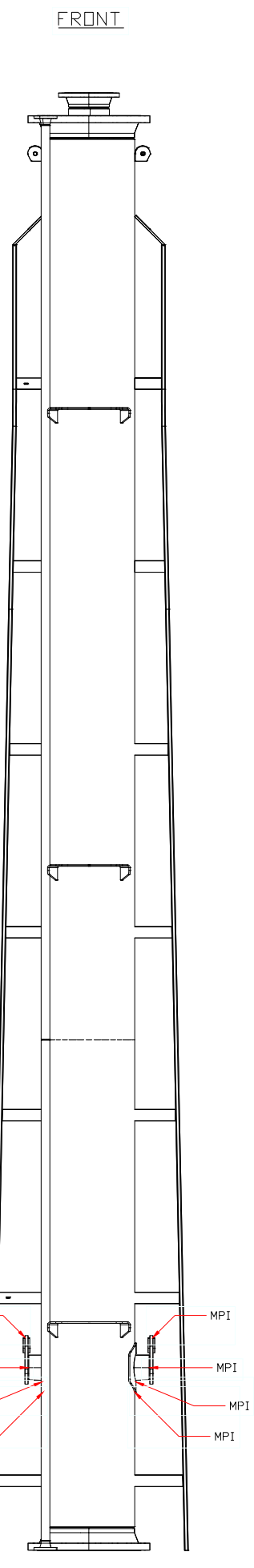
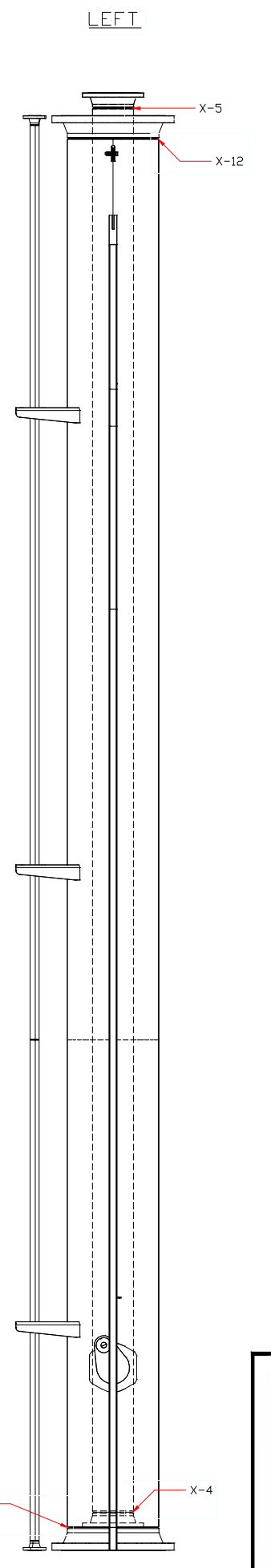
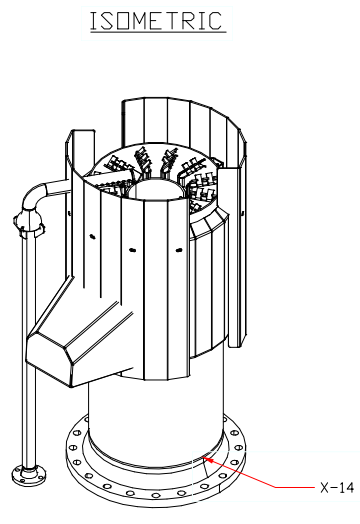
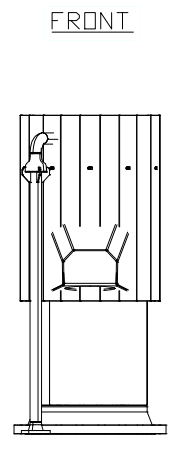
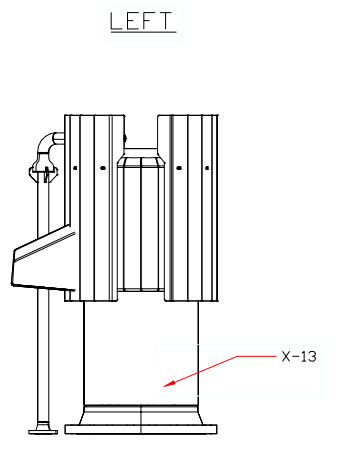
REV	DESCRIPTION	BY	DATE	APP	M	D	FABRICATION CONTINUED	FABRICATION	IGNITION SYSTEM:	DWG BY:	DWG #:	TITLE:	INTEGRATED SOLUTIONS INC.
0	ISSUED FOR APPROVAL	DF	19 09 30				BASE MOMENT: INFAC TORE: 375,000 FT-LB (RS FACTORED: 500,000 FT-LB (PER NBC 2015 TABLE 4.13.2-A))	MAG PARTIAL PROCEDURE: SEE NOTES	DUAL PRISM PREMIER (24VDC)	DF	10708	ø10" x 10" x 80'-0" TALL SELF SUPPORTED FLARE STACK	PHONE# (780) 582-3900
1	ISSUED FOR CONSTRUCTION	DF	19 10 28				BASE HORIZONTAL: UNFACTORED: 9,300 LBS (FACTORED: 12,350 LBS (PER NBC 2015 TABLE 4.13.2-A))	RADIOGRAPHY: SEE NOTES	WT EST: 23,500 LBS	DF	19 09 30	CHEVRON CANADA	FAX# (780) 582-3922
2	ADDED SHOT TUBE	DF	19 11 14				BASE VERTICAL: UNFACTORED: 23,500 LB	IMPACT TESTING: ND	SALES PERSON: NEIL T	Y	M		TOLL FREE# 1-877-264-1050
3	AS BUILT	DF	20 01 13				ITEM 4.1	ALUM CLADDING: ND	DESIGN BY: NEIL T	M	D		WEB SITE: www.prismcorp.net
							100% RADIOGRAPHY TO BE 31.3 SEVERE (BASE & GUSSETS, INLET & REPAD, TRUNNIONS AIR INLET & REPAD, LP STANDOFFS)	CORROSION ALLOWANCE: 0.125"	JOB# / QUOTE#: 17-17-19 S10X80AA STANTEC-CHEVRON				
								WPS #: PIS-2.6.7	LOCATION / PROJECT: KAYBOB DUFFERINAY PROJECT				
								QC PROGRAM #: -45°C					
								MDMT:					
								ANY TECHNICAL DATA AND THE DESIGN DISCLOSED AND/OR INTEGRATED SOLUTIONS INC. THESE DESIGNS ARE NOT TO BE USED OR DISCLOSED TO OTHERS WITHOUT THE EXPRESS WRITTEN CONSENT OF PRISM INTEGRATED SOLUTIONS INC.					



See cover letter for limitations of certification  
Basepoint file 19032-01

2020-01-14





See cover letter for limitations of certification  
Basepoint file 19032-01

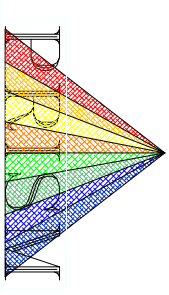
REV	DESCRIPTION	BY	DATE
0	ISSUED FOR APPROVAL	DF	19 09 30
1	ISSUED FOR CONSTRUCTION	DF	19 10 28
2	ADDED SHOT TUBE	DF	19 11 14
3	AS BUILT	DF	20 01 13

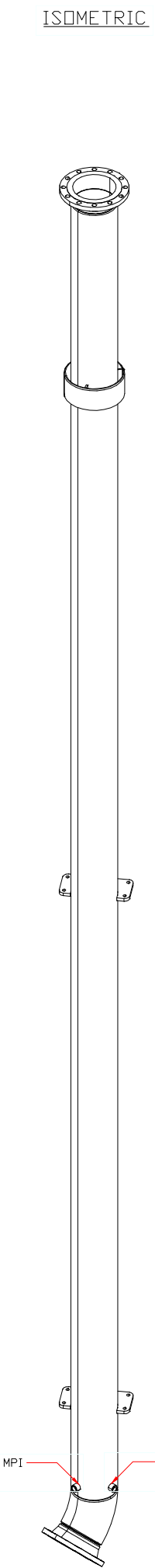
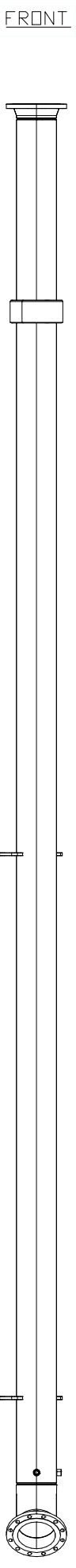
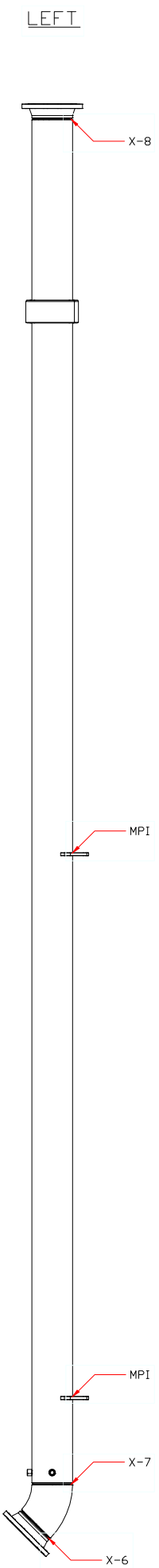
FABRICATION CONTINUED	
BASE MOMENT:	INFAC TORE: 375,000 FT-LB
FACTORED:	500,000 FT-LB (PER NBC 2015 TABLE 4.13.2-4)
BASE HORIZONTAL:	UNFACTORED: 9,300 LBS
FACTORED:	12,300 LBS (PER NBC 2015 TABLE 4.13.2-4)
BASE VERTICAL:	UNFACTORED: 23,500 LB
ITEM 4.1	100% RADIOGRAPHY TO BE 31.3 SEVERE (BASE & GUSSETS, INLET & REPAD, TRUNNIONS AIR INLET & REPAD, LP STANDOFFS)

FABRICATION	
MAG PARTIAL PROCEDURE:	SEE NOTES
RADIOGRAPHY:	SEE NOTES
IMPACT TESTING:	ND
COULANT TRACING:	ND
ALUM CLADDING:	ND
CORROSION ALLOWANCE:	0.125"
WPS #:	PIS-2.6.7
QC PROGRAM #:	-
MDMT:	-45°C

IGNITION SYSTEM:	
DUAL PRISM PREMIER (24VDC)	
CI DE, CSA CERT.	
B149.3 COMPLIANT	
WT EST:	23,500 LBS
SALESPERSON:	NEIL T

TITLE:	
Ø10" x 10" x 80'-0" TALL SELF SUPPORTED FLARE STACK	
CUSTOMER:	CHEVRON CANADA
PO#:	00119192 04
LSD:	15-06-062-21 WSM

	INTEGRATED SOLUTIONS INC. PHONE# (780) 582-3900 FAX# (780) 582-3922 TOLL FREE# 1-877-264-1050 WEB SITE: www.prismcorp.net
---	---



REV	DESCRIPTION	BY	DATE	APP	DESCRIPTION	BY	DATE	APP
0	ISSUED FOR APPROVAL	DF	19 09 30	M				
1	ISSUED FOR CONSTRUCTION	DF	19 10 28	M				
2	ADDED SHOT TUBE	DF	19 11 14	M				
3	AS BUILT	DF	20 01 13	M				

FABRICATION CONTINUED		FABRICATION	
BASE MOMENT:	INFAC TORE D: 375,000 FT-LB	MAG PARTIAL PROCEDURE:	SEE NOTES
	FACTORED: 500,000 FT-LB (PER NBCC 2015 TABLE 4.13.2-4)	RADIOGRAPHY:	SEE NOTES
BASE HORIZONTAL:	UNFACTORED: 9,300 LBS	IMPACT TESTING:	ND
	FACTORED: 12,350 LBS (PER NBCC 2015 TABLE 4.13.2-4)	COULANT TRACING:	ND
BASE VERTICAL:	UNFACTORED: 23,500 LB	ALUM CLADDING:	ND
		CORROSION ALLOWANCE:	0.125"
ITEM 4.1	100% RADIOGRAPHY TO BE 31.3 SEVERE	WPS #:	PIS-2.6.7
	(BASE & GUSSETS, INLET & REPAD, TRUNNIONS	QC PROGRAM #:	-
	AIR INLET & REPAD, LP STANDOFFS)	MDMT:	-45°C
		ANY TECHNICAL DATA AND THE DECISIONS DISCLOSED AND/OR	
		INTEGRATED SOLUTIONS INC. THESE DESIGNS ARE NOT TO BE	
		USED OR DISCLOSED TO OTHERS WITHOUT THE EXPRESS	
		WRITTEN CONSENT OF PRISM INTEGRATED SOLUTIONS INC.	

IGNITION SYSTEM:		DWG BY:	DWG #:
DUAL	PRISM PREMIER (24VDC)	DF	10708
	CI DP, CSA CERT.	DATE:	19 09 30
	B149.3 COMPLIANT	DESIGN BY:	NEIL T
WT EST:	SALESPERSON:		
23,500 LBS	NEIL T		
PAIN:			
SANDBLAST SSPC-SP6			
GLOSS BLACK FINISH			
CLEVERDALE ARMORSHIELD			
LOCATION / PROJECT:			
KAYBOB DUVERNAY PROJECT			

TITLE:		PO#:
ø10" x 10" x 80'-0" TALL		00119192 04
SELF SUPPORTED		
FLARE STACK		
CUSTOMER:		REV:
CHEVRON CANADA		3
LSD:		
15-06-062-21 WSM		

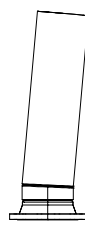
INTEGRATED SOLUTIONS INC.	
PHONE# (780) 582-3900	
FAX# (780) 582-3922	
TOLL FREE# 1-877-264-1050	
WEB SITE: www.prismcorp.net	



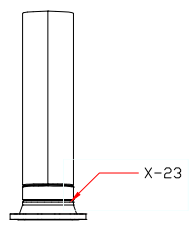
2020-01-14

See cover letter for limitations of certification  
Basepoint file 19032-01

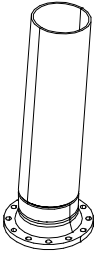
LEFT



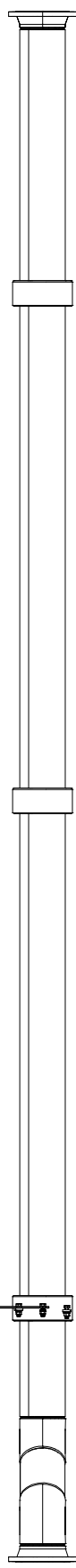
FRONT



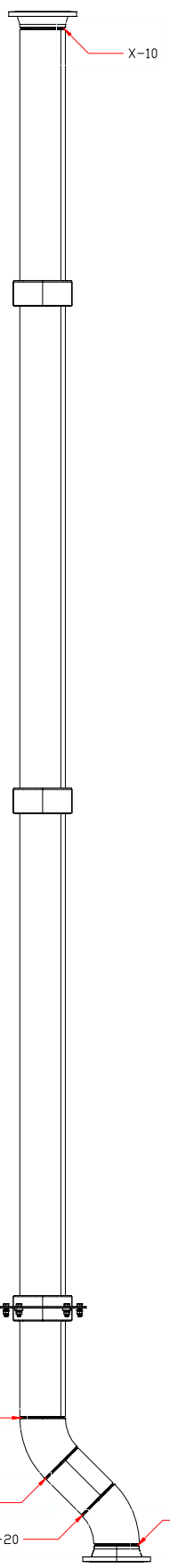
ISOMETRIC



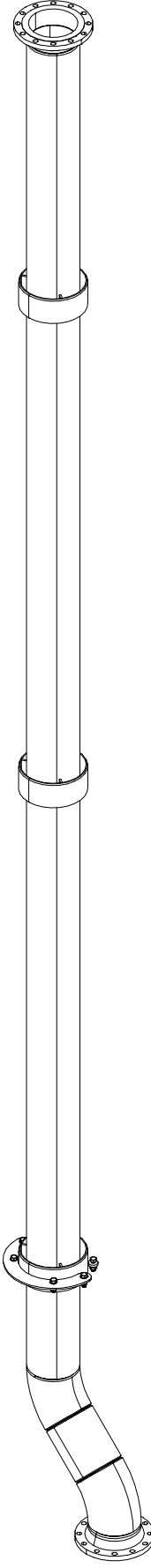
LEFT

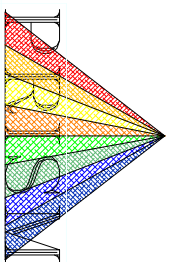


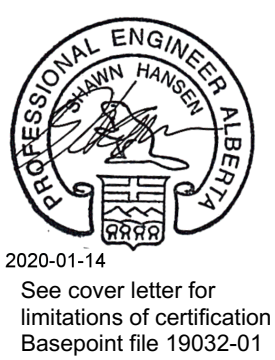
FRONT

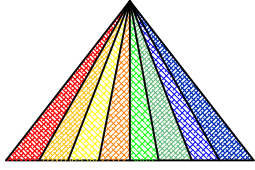


ISOMETRIC



REV	DESCRIPTION	BY	M	D	FABRICATION CONTINUED		FABRICATION		IGNITION SYSTEM:		TITLE:		 <p>INTEGRATED SOLUTIONS INC. PHONE# (780) 582-3900 FAX# (780) 582-3922 TOLL FREE# 1-877-264-1050 WEB SITE: www.prismscorp.net</p>
0	ISSUED FOR APPROVAL	DF	19	09	30	BASE MOMENT: INFAC TORE: 375,000 FT-LB RS FACTORED: 500,000 FT-LB PER NBC 2015 TABLE 4.13.2-A1	MAG PARTIAL PROCEDURE: SEE NOTES	DUAL PRISM PREMIER (24VDC)	DWG BY:	DF	10708	ø10" x 10" x 80'-0" TALL SELF SUPPORTED FLARE STACK	
1	ISSUED FOR CONSTRUCTION	DF	19	10	28	BASE HORIZONTAL: UNFACTORED: 9,300 LBS FACTORED: 12,350 LBS PER NBC 2015 TABLE 4.13.2-A1	RADIOGRAPHY: SEE NOTES	WT EST: 23,500 LBS	DATE:	19	09	CHEVRON CANADA	
2	ADDED SHOT TUBE	DF	19	11	14	BASE VERTICAL: UNFACTORED: 23,500 LB	IMPACT TESTING: ND	SALESPERSON: NEIL T	DESIGN BY:	NEIL T			
3	AS BUILT	DF	20	01	13	ITEM 4.1 100% RADIOGRAPHY TO BE 31.3 SEVERE (BASE & GUSSETS, INLET & REPAD, TRUNNIONS AIR INLET & REPAD, LP STANDOFFS)	CODULANT TRACING: ND	NEIL T	JOB#:	17-17-19	S10X80AA		
							ALUM CLADDING: ND	GC PROGRAM #: -45°C	QUOTE#:	17-17-19	S10X80AA		
							CORROSION ALLOWANCE: 0.125"	MDMT: -	DESIGN BY:	NEIL T			
								PAINT: SANDBLAST SSPC-SP6 GLOSS BLACK FINISH CLEVERDALE ARMORSHIELD	SHEET:	20	DF	21	
								LOCATION / PROJECT: KAYBOB DUVERNAY PROJECT					





# PRISM INTEGRATED SOLUTIONS INC.

## Fabrication and QC Department Quality Checklist Flare and Knockout Division.

Job Number: 10708  
 Client Name: CHEVRON CANADA  
 Weld Stamp(s) used on this project: H/V  
 QCM to be signing off Quality Checklist: DWAYNE GIROUX  
 Production Manager: CLARK BUNBURY  
 Project Manager: NEIL THORSTEINSON

The following list of quality checks is meant to be used as a reference for points to be aware of through the course of a project, and for the QCM to use as a sign off sheet when closing out a project or readying it for inspection.

- Weld procedures to be used on this project
- Gauge all fillet welds
- Primer all fillet welds to check for undercut
- Inside and outside nozzle projections
- Nozzles / base plate square, plumb, and two holed
- Saddles (if applicable) square and level, proper height
- Hydro test (if applicable) pressure and hold time
- Type of NDE
- Visual defects to avoid
  - Undercut
  - Excessive weld
  - Cold lap
  - Weld spatter
  - Visual porosity
  - Grinder gauges
  - Stray arcs
- Internal preparation
- Sandblast Near white int. N/A Commercial ext. DG DEC 20/2019 & JAN 2&5/2020
- Paint DG DEC 20&23/2019  
JAN 2&6/2020

Initial and Date

DG NOV 7/2019

DG NOV 7/2019 & NOV 12/2019

NOV 20/2019 & DEC 21/2019

DG NOV 7/2019 & NOV 12/2019

NOV 20/2019 & DEC 21/2019

DG NOV 7/2019 & NOV 12/2019

NOV 20/2019 & DEC 21/2019

DG DEC 19/2019

N/A

N/A

B31.3 SEVERE / SEC.8 DIV.1 APPENDIX 6

N/A

DG DEC 20/2019 & JAN 2&5/2020

DG DEC 20&23/2019

JAN 2&6/2020

REV	DESCRIPTION	BY	DATE	APP	REV	DESCRIPTION	BY	DATE	APP
0	ISSUED FOR APPROVAL	DF	19 09 30	Y	3	AS BUILT	DF	20 01 13	
1	ISSUED FOR CONSTRUCTION	DF	19 10 28	Y	2	ADDED SHOT TUBE	DF	19 11 14	

FABRICATION CONTINUED	FABRICATION
BASE MOMENT: UNFACTORED: 375,000 FT-LBS FACTORED: 500,000 FT-LB PER NBC 2015 TABLE 4.13.2-4I	MAG PARTIAL PROCEDURE: SEE NOTES RADIOGRAPHY: SEE NOTES
BASE HORIZONTAL: UNFACTORED: 9,300 LBS FACTORED: 12,300 LBS PER NBC 2015 TABLE 4.13.2-4I	IMPACT TESTING: NO CORROSION ALLOWANCE: 0.125"
BASE VERTICAL: UNFACTORED: 23,500 LB ITEM 4.1	ALUM CLADDING: NO CORROSION ALLOWANCE: 0.125"
100% RADIOGRAPHY TO BE 31.3 SEVERE (BASE & GUSSETS, INLET & REPAIR), TRUNNIONS AIR INLET & REPAIR, LP STANDOFFS	WPS #: PIS-2.6.7 QC PROGRAM #: -45°C MNT: -
	IGNITION SYSTEM: DUAL PRISM PREMIER (24VDC) CI, DI, CSA CERT. B149.3 COMPLIANT
	WT EST: 23,500 LBS SALES PERSON: NEIL T
	PAINT: SANDBLAST SSPC-SP6 GLOSS BLACK FINISH CLEVERDALE ARMORSHIELD
	LOCATION / PROJECT: KAYBOB DUVERNAV PROJECT
	DWG BY: DF DATE: 19 09 30
	DWG #: 10708
	DESIGN BY: NEIL T
	JOB#: 17-17-19 S10X80AA SHEET: 21 OF 21
	TITLE: ø10" x 10" x 80"-0" TALL SELF SUPPORTED FLARE STACK
	CUSTOMER: CHEVRON CANADA
	PO#: 00119192 04
	REV: 3



2020-01-14

See cover letter for limitations of certification  
Basepoint file 19032-01

CHECKLIST

INTEGRATED SOLUTIONS INC.  
 PHONE# (780) 582-3900  
 FAX# (780) 582-3922  
 TOLL FREE# 1-877-264-1050  
 WEB SITE: www.prismscorp.net