

CLIENT: PROGRESS ENERGY LTD.
 PROJECT: 4-UNIT (F) OFFICE COMPLEX
 LOCATION: BRITISH COLUMBIA, CANADA
 ENGINEER REFERENCE#: SE [4UNIT (F) OC]

CODE & DESIGN COMPLIANCE

BRITISH COLUMBIA BUILDING CODE 2012 PART 9
 BUILDING FOOTPRINT 3,158 ft² [293 m²]
 BUILDING FIRE SAFETY BCBC 3.2.2.55
 SPRINKLERED NO

ROOF LIVE LOAD 5.5 KPA
 FLOOR LIVE LOAD 4.8 KPA

CANADIAN ELECTRICAL CODE 2014
 NATIONAL PLUMBING CODE 2010
 GAS CODE-CSA-B149.1-10

DRAWING INDEX

A1.0 - OVERALL PLAN

A1.1 - FLOOR PLAN
 A1.2 - COLOR SCHEDULE
 A1.3 - EQUIPMENT PLAN
 A1.4 - PLUMBING PLAN
 A1.4a - MECHANICAL PLAN
 A1.5 - CABINET PLAN
 A1.6 - DOOR & WINDOW PLAN
 A1.7 - EXTERIOR ELEVATIONS
 A1.8 - EXTERIOR ELEVATIONS

A2.0 - OC1

A2.1 - FLOOR PLAN
 A2.2 - FLOOR FRAMING
 A2.2a - PLENUM CONNECTION DETAIL
 A2.3 - WALL FRAMING PLAN
 A2.4 - WALL FINISH PLAN
 A2.5 - ROOF FRAMING PLAN
 A2.6 - CEILING PLAN
 A2.7 - INTERIOR ELEVATION
 P2.1 - WATER, SEWER & GAS LINE PLAN
 E2.1 - HIGH & LOW VOLTAGE PLAN

A3.0 - OC2

A3.1 - FLOOR PLAN
 A3.2 - FLOOR FRAMING
 A3.2a - PLENUM CONNECTION DETAIL
 A3.3 - WALL FRAMING PLAN
 A3.4 - WALL FINISH PLAN
 A3.5 - ROOF FRAMING PLAN
 A3.6 - CEILING PLAN
 P3.1 - WATER, SEWER & GAS LINE PLAN
 E3.1 - HIGH & LOW VOLTAGE PLAN

A4.0 - OC3

A4.1 - FLOOR PLAN
 A4.2 - FLOOR FRAMING
 A4.2a - PLENUM CONNECTION DETAIL
 A4.3 - WALL FRAMING PLAN
 A4.4 - WALL FINISH PLAN
 A4.5 - ROOF FRAMING PLAN
 A4.6 - CEILING PLAN
 P4.1 - SEWER_GAS LINE PLAN
 E4.1 - HIGH & LOW VOLTAGE PLAN

A5.0 - OC4

A5.1 - FLOOR PLAN
 A5.2 - FLOOR FRAMING
 A5.2a - PLENUM CONNECTION DETAIL
 A5.3 - WALL FRAMING PLAN
 A5.4 - WALL FINISH PLAN
 A5.5 - ROOF FRAMING PLAN
 A5.6 - CEILING PLAN
 E5.1 - HIGH & LOW VOLTAGE PLAN



ALTA-FAB
 Remote Modular Solutions

INTERIOR COLOUR CHART

ITEM	LOCATION	BRAND/DESCRIPTION	COLOUR
FLOOR FINISH #1	HALLWAYS, SUITES & COMMON AREAS	ARMSTRONG – LUXE PLANK LUXURY VINYL FLOORING (48"x6" PLANK)	EMPIRE WALNUT – FLINT GRAY #A6711
FLOOR FINISH #2	BATHROOMS & UTILITY ROOMS	ARMSTRONG – ADOBE LIGHT COMMERCIAL SHEET	TOPAZ – SANJANI SLATE #80817
WALL FINISH #1	THROUGHOUT	PARTITION SYSTEMS – VINYL CLAD	STARDUST WHITE
CEILING FINISH #1	WASHROOMS	ROCKFON	2' x 4' PACIFIC #201
CEILING FINISH #2	ALL OTHER AREAS	ARMSTRONG	2' x 4' WHITE – FINE FISSURED SECOND LOOK #1762
BASEBOARD #1	THROUGHOUT	ROPPE – 3" VINYL BASE	WHITE #170
DOOR SLAB		SHERWIN WILLIAMS	PURE WHITE #SW7005
DOOR JAMB		BENJAMIN MOORE	BROWNSTONE
WINDOW TRIM		ALEXANDRIA PROFILE #90423 – 3" PAINTED WOOD TRIM – SHERWIN WILLIAMS	PURE WHITE #SW7005
WINDOW COVERINGS	THROUGHOUT	SIGNATURE SERIES – 2" ALUMINUM MINI BLINDS	CHALK #205
CABINET MELAMINE (ML1)		UNIBOARD	VELVET WENGE, RIO FINISH – #G15
COUNTERTOP (CT1)		CORIAN	RAIN CLOUD
BACKSPLASH	KITCHEN & VANITY	PREMIUM MOSAICS – INTERLOCKING 12" x 12" x 10mm	WHITE OAK BLEND
EXTERIOR STEEL ACCESSORIES		–	BLACK

EXTERIOR COLOUR CHART

ITEM	BRAND/TYPE	COLOUR
HORIZONTAL FASCIA	WESTMAN STEEL	CHARCOAL
TRIM	WESTMAN STEEL	CHARCOAL
MAIN HORIZONTAL SIDING	WESTMAN STEEL	STONE GREY
VERTICAL SIDING	WESTMAN STEEL	BRIGHT RED
ROOF	.045 EPDM	BLACK
STEEL ACCESSORIES		BLACK (POWDER COATED)
AFS STICKERS		N/A

CAD FILE:
A0.0 – OVERALL PLAN.dwg

DATE:
OCT. 12, 2016

SCALE:
N/A

DRAWN BY:
KC

CHECKED BY:
--

APPROVED BY:
KC

STAMP:

COLOUR SCHEDULE
PROGRESS ENERGY LTD.
4-UNIT (F) OFFICE COMPLEX

PLAN:
PROJECT:
SHEET NO.:
A1.2

STAMP:

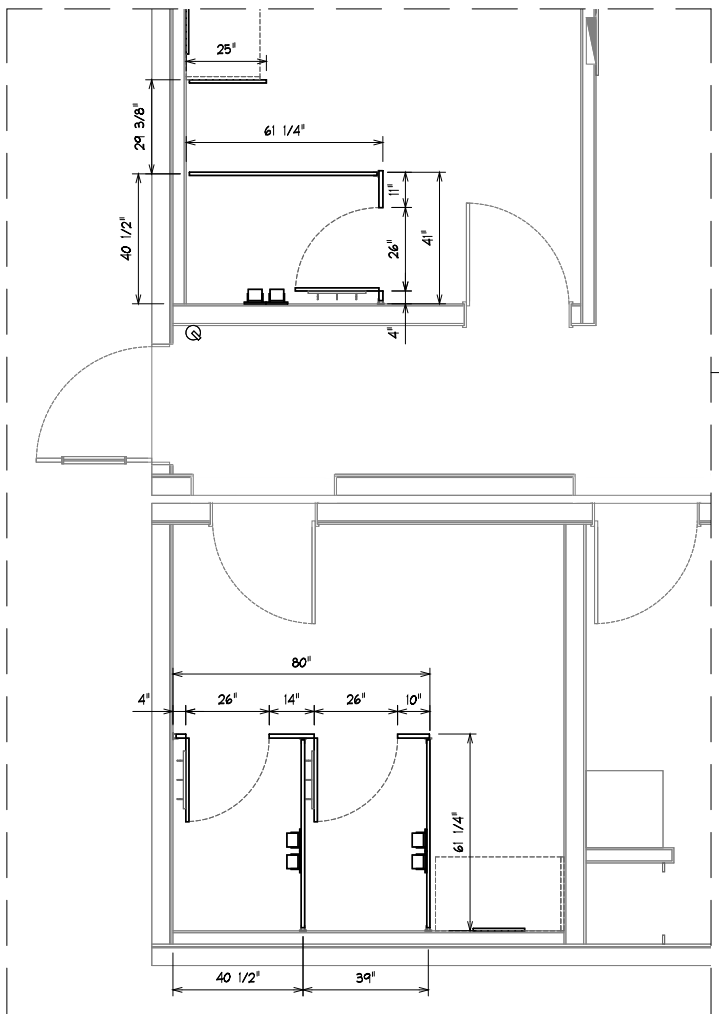
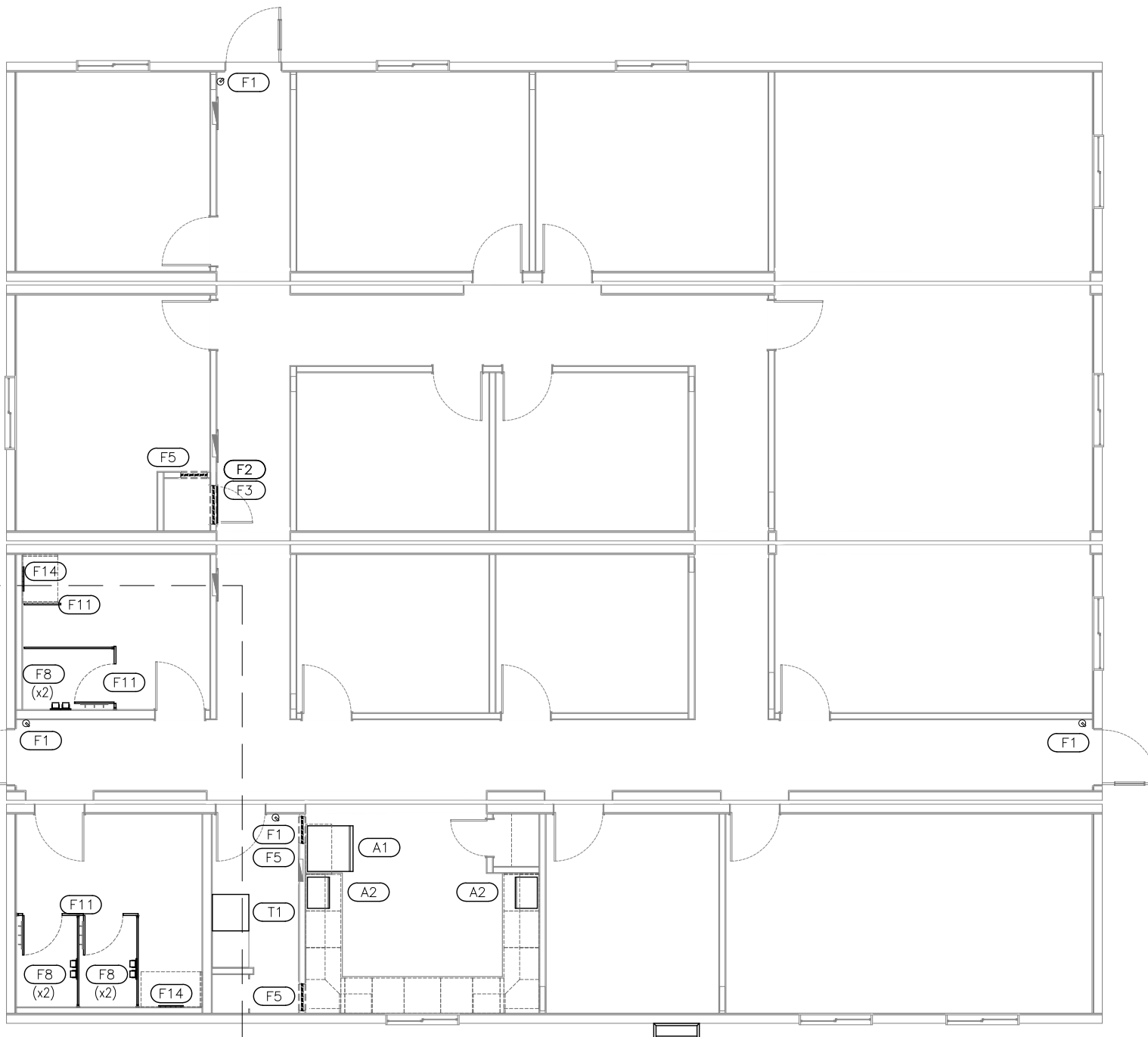
EQUIPMENT PLAN

PROJECT:
PROGRESS ENERGY LTD.
4-UNIT (F) OFFICE COMPLEX

PLAN:

SHEET NO.:

A1.3



1 EQUIPMENT PLAN
A1.3 SCALE: 1/8" = 1'-0"

F# FURNISHING SCHEDULE

ITEM#	QTY.	DESCRIPTION	COLOUR
F1	4	5 LBS. 'ABC' FIRE EXTINGUISHER	RED
F2	1	24" X 8" RETURN-AIR GRILLE	WHITE
F3	1	24" X 8" FIRE DAMPER C/W SLEEVE	-
F4			WHITE
F5	3	16" X 8" FIRE DAMPER C/W SLEEVE	-
F6			
F7			
F8	6	TOILET PAPER HOLDER	CHROME
F10			GREY
F11	LOT	SET - METAL TOILET STALL PARTITIONS - SEE DETAIL FOR DIMENSIONS	SURF WHITE
F13			BLACK
F14	2	18"W X 24"H MIRROR C/W CALIFORNIA CLIPS	-

A# APPLIANCE SCHEDULE

ITEM#	QTY.	DESCRIPTION	COLOUR
A1	1	18.0 CU.FT. FULL SIZE REFRIGERATOR	STAINLESS STEEL
A2	2	1.0 CU.FT. MICROWAVE OVEN	BLACK

T# METAL COMPONENT SCHEDULE

ITEM#	QTY.	DESCRIPTION	COLOR
T1	1	24"W x 24"L x 2"H METAL DRAIN PAN	-

W# WELDING COMPONENT SCHEDULE

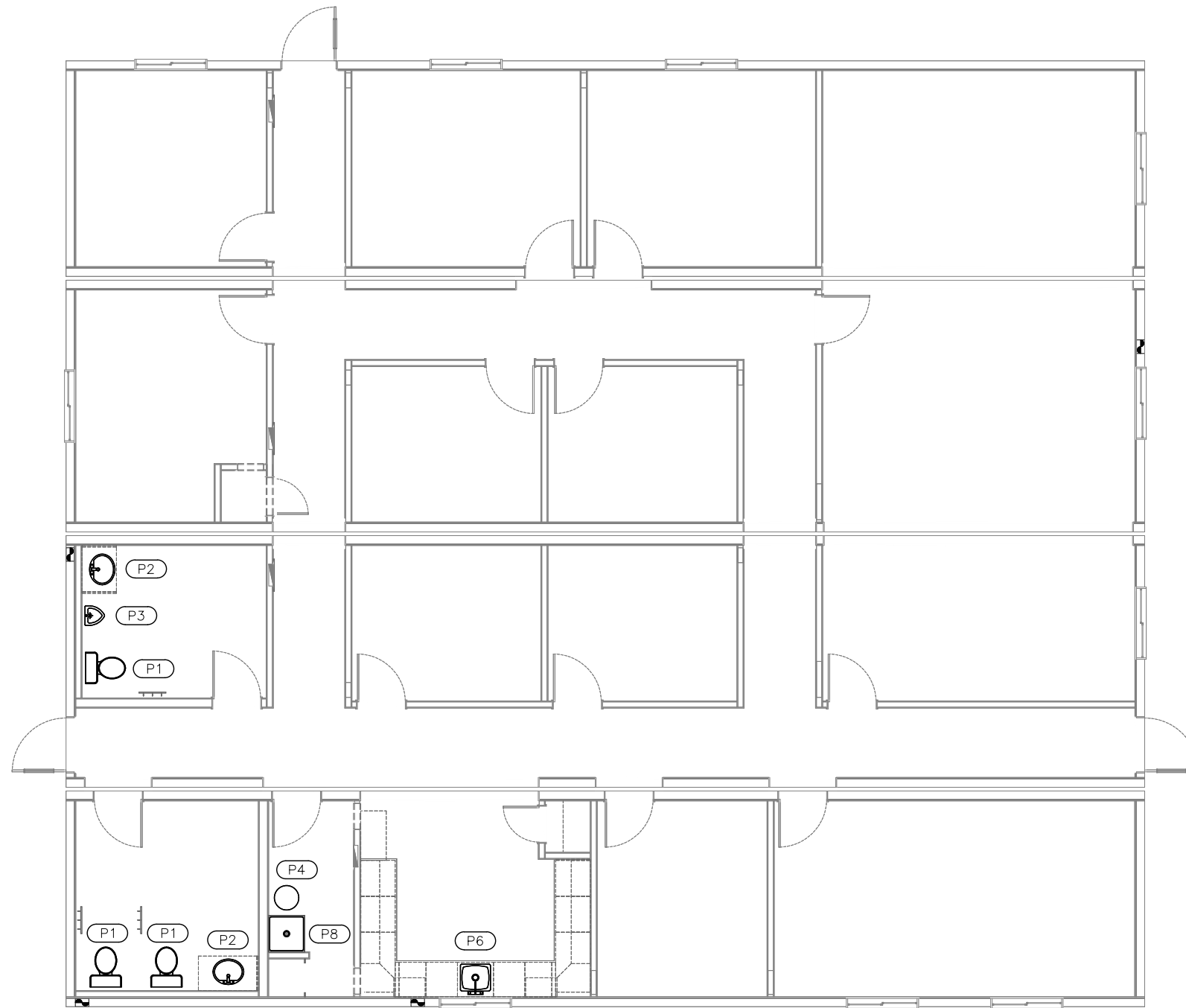
ITEM#	QTY.	DESCRIPTION	COLOR
W1	1	30"W X 36"D CONDENSER STAND	SEE COLOR CHART

OC4

OC3

OC2

OC1



1 PLUMBING PLAN
A1.4 SCALE: 1/8" = 1'-0"

		(P#)	PLUMBING EQUIPMENT SCHEDULE	WATER		SANITARY		GAS		
ITEM#	QTY.		DESCRIPTION	COLOUR	DHW	DCW	SIZE	TO	LOAD	SIZE
(P1)	3		"PRO-FLO" PF9301J - 2 PIECE 1.6 GAL. DUAL FLUSH ELONGATED BOWL WATER CLOSET	WHITE		3/4"	3"	U/S OF UNIT		
(P2)	2		"MOEN" LAVATORY SINK (L69400) C/W 4" DOUBLE DECKSET & LEVER TYPE FAUCET	WHITE	3/4"	3/4"	2"	U/S OF UNIT		
(P3)	1		"GERBER" [27-770] TOP SPUD WALL HUNG URINAL C/W FLUSH VALVE OR EQUIVALENT (1 1/2" TRAP)	WHITE		3/4"	2"	U/S OF UNIT		
(P4)	1		"JOHN WOODS" [JW850T62P] 50 GAL. WATER HEATER [LPG FIRED]	-					58,000 BTU	1/2"
(P5)				-						
(P6)	1		"STEEL QUEEN" SINGLE CELL SINK C/W 8" DOUBLE DECKSET	STAINLESS STEEL	3/4"	3/4"	2"	U/S OF UNIT		
(P7)				-						
(P8)	1		"FIAT" [MSB-2424] 24" X 24" MOLDED STONE MOP SINK C/W 5' HOSE	-	3/4"	3/4"	3"	U/S OF UNIT		
(P9)				-						

STAMP:

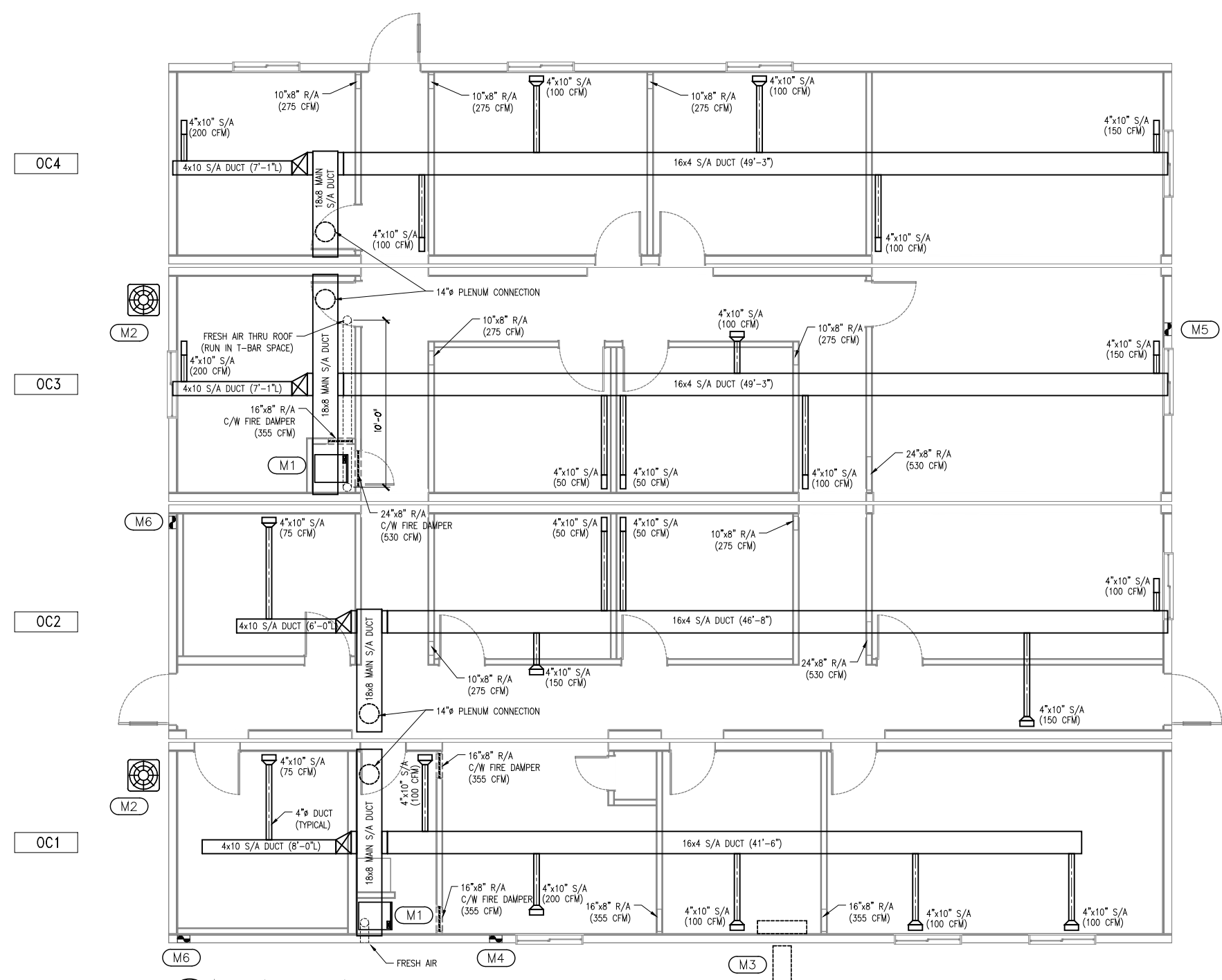
PLAN: PLUMBING PLAN

PROJECT: PROGRESS ENERGY LTD.

4-UNIT (F) OFFICE COMPLEX

SHEET NO.:

A1.4



1 MECHANICAL PLAN
A1.4a SCALE: 1/8" = 1'-0"

MECHANICAL SPECIFICATIONS	
FUEL TYPE	LPG
REQUIRED OUTPUT	-
FRESH-AIR	6"φ C/W 4x10 6"φ ADAPTER

MECHANICAL EQUIPMENT SCHEDULE			
ITEM#	QTY.	DESCRIPTION	COLOUR
M1	2	COLEMAN [T09S] HIGH EFFICIENCY DOWNFLOW FURNACE (MIN. 92.5%) (80,000 BTU)	-
M2	2	3.0 TON SPLIT SYSTEM AIR CONDITIONER C/W A-COIL (SITE INSTALL)	-
M3	1	"MR SLIM" [PUY-A18NHA3](OUTDOOR) C/W LOW AMBIENT & [PKA-A18HA](INDOOR) UNIT	-
M4	1	"BROAN" [EC120] EXHAUST FAN (120 CFM) 4" REDUCED TO 3" OUT FROM FROM EXTERIOR WALL.	-
M5	1	"BROAN" [EC70] EXHAUST FAN (70 CFM) 4" REDUCED TO 3" OUT FROM FROM EXTERIOR WALL.	-
M6	2	WASHROOM EXHAUST FAN (100 CFM) 4" REDUCED TO 3" OUT FROM FROM EXTERIOR WALL.	-

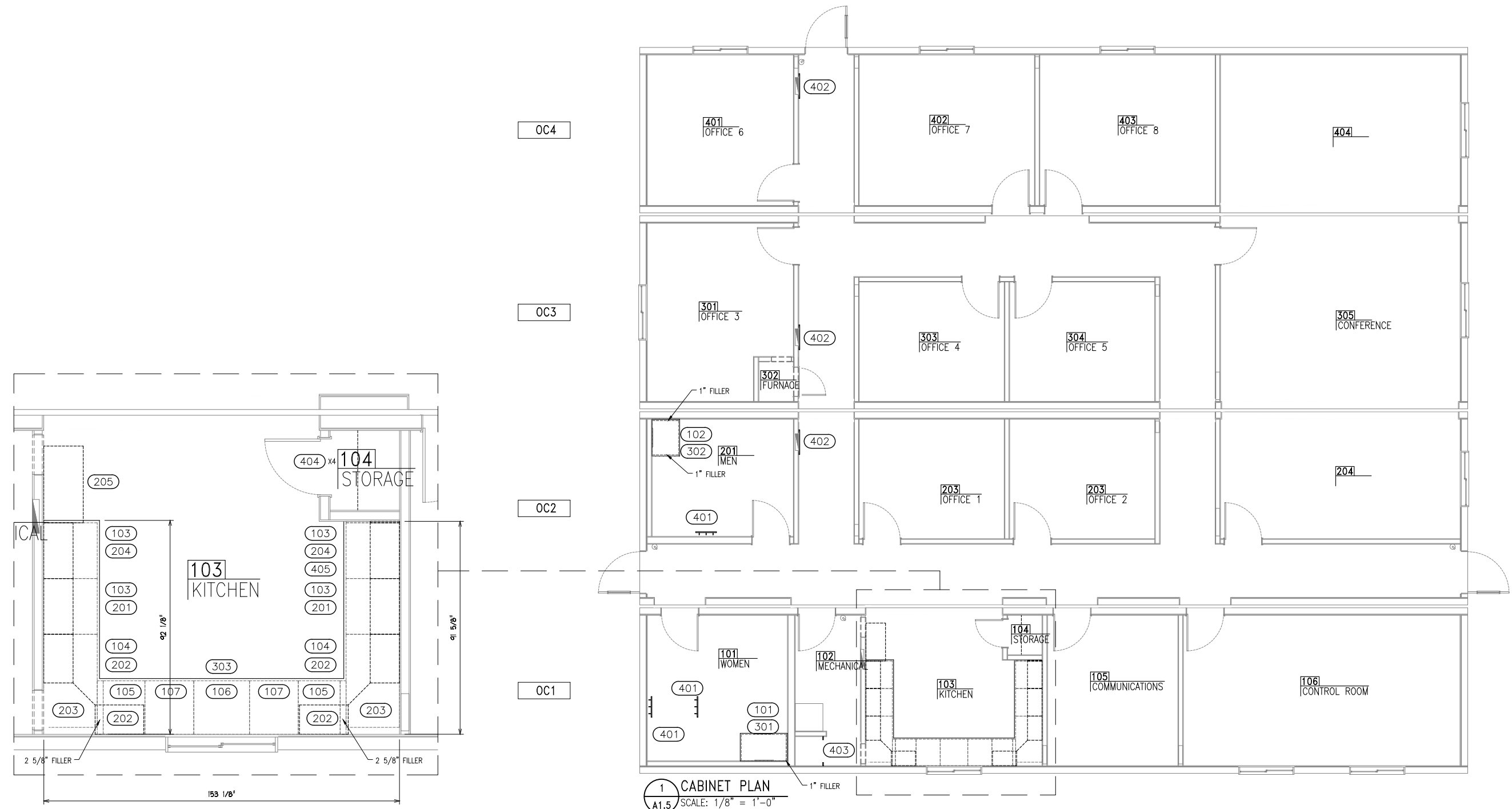
STAMP:

MECHANICAL PLAN [

PROJECT:
PROGRESS ENERGY LTD.
4-UNIT (F) OFFICE COMPLEX

PLAN:

SHEET NO.:



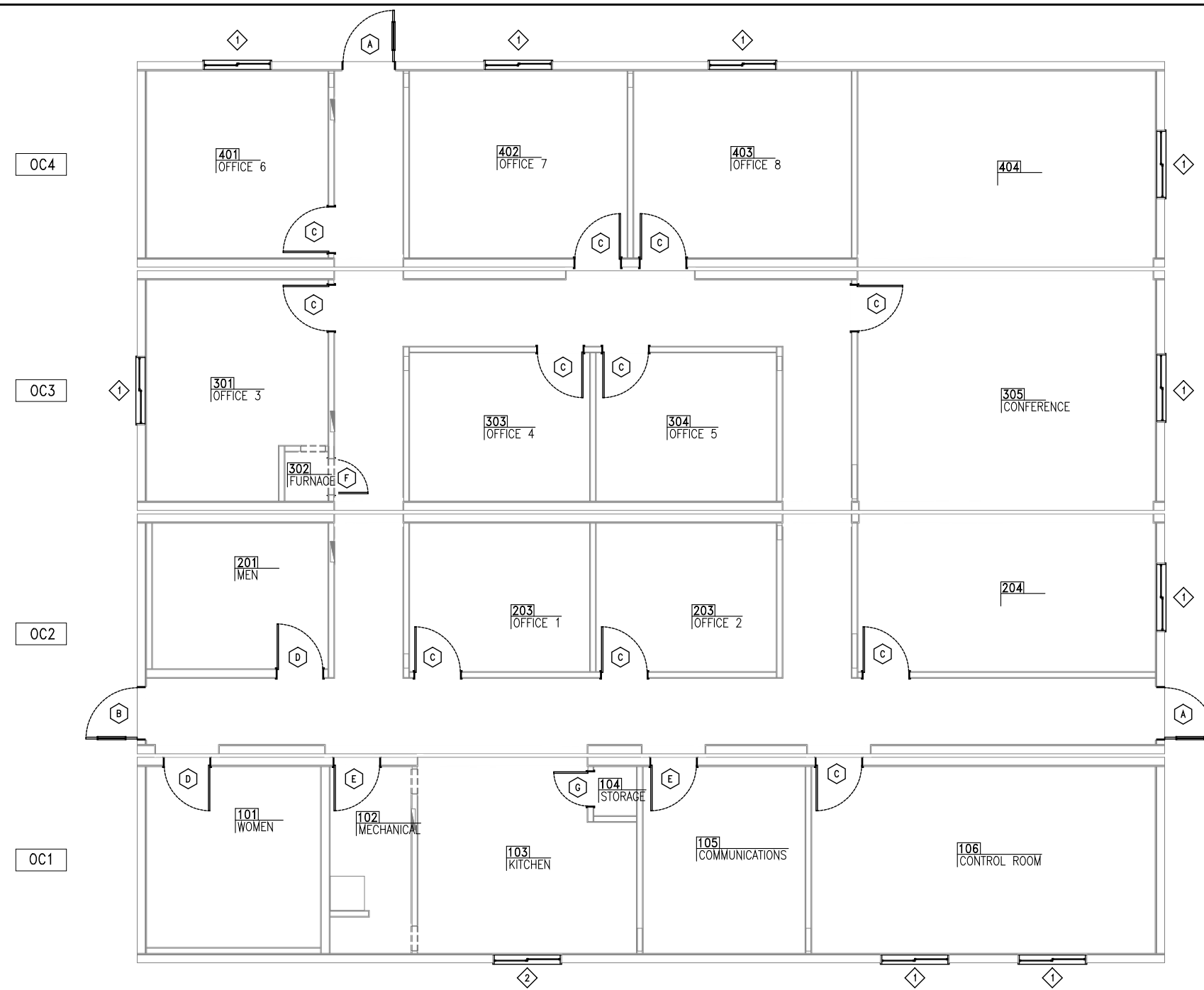
1 CABINET PLAN
A1.5 SCALE: 1/8" = 1'-0"

- [1] SEE COLOUR SCHEDULE.
- [2] ALL CABINET CONSTRUCTION TO BE 5/8" THICK.
- [3] ALL CABINET HARDWARE TO BE "RICHELIEU" BRUSHED NICKEL FINISH.

100 LOWER CABINET SCHEDULE				200 UPPER CABINET SCHEDULE				300 COUNTERTOP SCHEDULE				400 MISC. CABINET SCHEDULE			
ITEM#	QTY.	DESCRIPTION	COLOUR	ITEM#	QTY.	DESCRIPTION	COLOUR	ITEM#	QTY.	DESCRIPTION	COLOUR	ITEM#	QTY.	DESCRIPTION	COLOUR
101	1	39"W x 34 3/4"H x 23"D VANITY BASE CABINET	ML1	201	2	24"W x 30"H x 12 5/8"D KITCHEN CABINET	ML1	301	1	41"W x 24"D VANITY COUNTERTOP	PL1	401	3	18"W x 2"H 3-HOOK OAK COAT HOOK BOARD	ML1
102	1	30"W x 34 3/4"H x 23"D VANITY BASE CABINET	ML1	202	4	21"W x 30"H x 12 5/8"D KITCHEN CABINET	ML1	302	1	32"W x 24"D VANITY COUNTERTOP	PL1	402	3	20"W x 26 1/2"H x 3/4"D ELECTRICAL PANEL COVER	ML1
103	4	24"W x 34 3/4"H x 23"D KITCHEN BASE CABINET	ML1	203	2	CORNER KITCHEN CABINET	ML1	303	1	24"D U-SHAPED COUNTERTOP	PL1	403	1	FURNACE FRONT (1 @23"W x 50"H, 2 @4"W x 97"H)	ML1
104	2	39"W x 34 3/4"H x 23"D BLIND CORNER KITCHEN BASE CABINET	ML1	204	2	24"W x 30"H x 12 5/8"D KITCHEN CABINET C/W SPACE FOR 1.0 CU.FT. MICROWAVE	ML1					404	4	34 3/8"W x 18"D STORAGE SHELF	ML1
105	2	18"W x 34 3/4"H x 23"D KITCHEN BASE CABINET	ML1	205	1	33"W x 15"H x 17"D KITCHEN CABINET						405	1	21"W x 14"D MICROWAVE SHELF	ML1
106	1	24"W x 34 3/4"H x 23"D KITCHEN SINK BASE CABINET	ML1												
107	2	21"W x 34 3/4"H x 23"D KITCHEN BASE CABINET													

STAMP:

PLAN: CABINET PLAN
PROJECT: PROGRESS ENERGY LTD. 4-UNIT (F) OFFICE COMPLEX
SHEET NO.: A1.5



1 DOOR & WINDOW PLAN
A1.6 SCALE: 1/8" = 1'-0"

WINDOW SCHEDULE

ITEM NUMBER	QUANTITY	WINDOW (NOMINAL SIZE)	R.O. SIZE	MANUFACTURER	SLIDER	PICTURE	CASEMENT	SWING	BLIND	SHUTTER	SILL HEIGHT	LINTEL
1	9	47 x 39	48"W x 40"H	MCLEOD	●				●		38"	3-2x6
2	1	47 x 39	48"W x 40"H	MCLEOD	●				●		44"	3-2x6

NOTES

[1] SEE COLOR SCHEDULE FOR WINDOW BLIND COLOR. [2] ALL WINDOWS TO BE DOUBLE GLAZED.

DOOR SCHEDULE

ITEM NUMBER	QUANTITY	DOOR (NOMINAL SIZE)	R.O. SIZE	DOOR SWING	COLOR		MANUFACTURER	WOOD DOOR (mm)	MASONITE DOOR (mm)	STEEL DOOR (mm)	STEEL FRAME (mm)	SOLID CORE	LITE	PASSAGE DOORSET	PRIVACY DOORSET	KEYED DOORSET	DEADBOLT (INT)	DEADBOLT (EXT ONLY)	PANIC HARDWARE	PANIC HARDWARE (EM CRUSHER)	PANIC HARDWARE (EXT ONLY)	DOOR CLOSER	CHECK CHAIN	PUSH/PULL	FLIP-DOWN DOOR STOP	44 SERIES	22 SERIES	SPECIFIC NOTES
					EXT.	INT.																						
A	2	36 x 80 EXTERIOR	37 1/2"W x 81 1/4"H	RH	SEE COLOR CHART		WSI					●	●				●					●					24" x 32" LITE	
B	1	36 x 80 EXTERIOR	37 1/2"W x 81 1/4"H	LH	SEE COLOR CHART		WSI		90	90		●	●						●			●					5" x 20" LITE	
C	11	32 x 80 INTERIOR	33 1/2"W x 81 1/4"H		SEE COLOR CHART		WSI	20		90		●		●														
D	2	32 x 80 INTERIOR	33 1/2"W x 81 1/4"H		SEE COLOR CHART		WSI	20		90		●		●									●					
E	2	32 x 80 INTERIOR	33 1/2"W x 81 1/4"H		SEE COLOR CHART		WSI		45	90		●				●						●						
F	1	24 x 80 INTERIOR	25 1/2"W x 81 1/4"H		SEE COLOR CHART		WSI		45	90		●				●						●						
G	1	24 x 80 INTERIOR	25 1/2"W x 81 1/4"H		SEE COLOR CHART		WSI	20		90		●				●												

[1] ALL INTERIOR DOOR HARDWARE TO BE RATED.
[2] ALL INTERIOR DOOR HARWARE TO BE LEVER HANDLES.
[3] DOOR 'A' TO BE C/W VING CARD SYSTEM SUPPLIED BY NOMODIC.

STAMP:

PLAN: DOOR & WINDOW PLAN
PROJECT: PROGRESS ENERGY LTD.
4-UNIT (F) OFFICE COMPLEX
SHEET NO.: A1.6

NOTE: EXTERIOR COMPLEXING WALLS TO BE C/W WITH NO EXTERIOR METAL!!



Copyrighted Material: No Reproduction of any kind of this document and attachments hereto unless with the written consent from Alta-Fab Structures Ltd.
© 2016 Alta-Fab Structures Ltd.

CAD FILE:
A0.0 - OVERALL PLAN.dwg

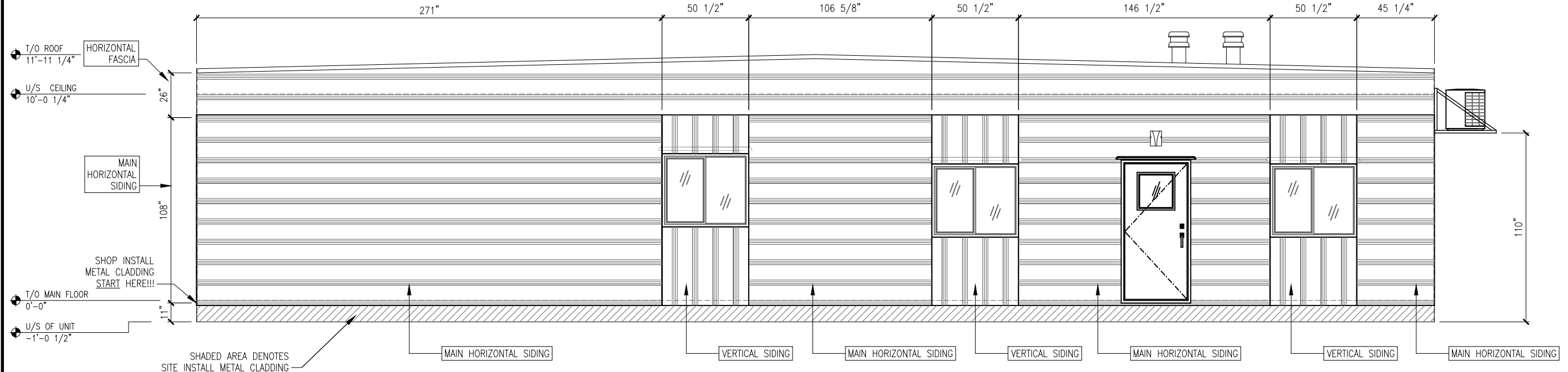
DATE:
OCT. 12, 2016

SCALE:
AS SHOWN

DRAWN BY:
KC

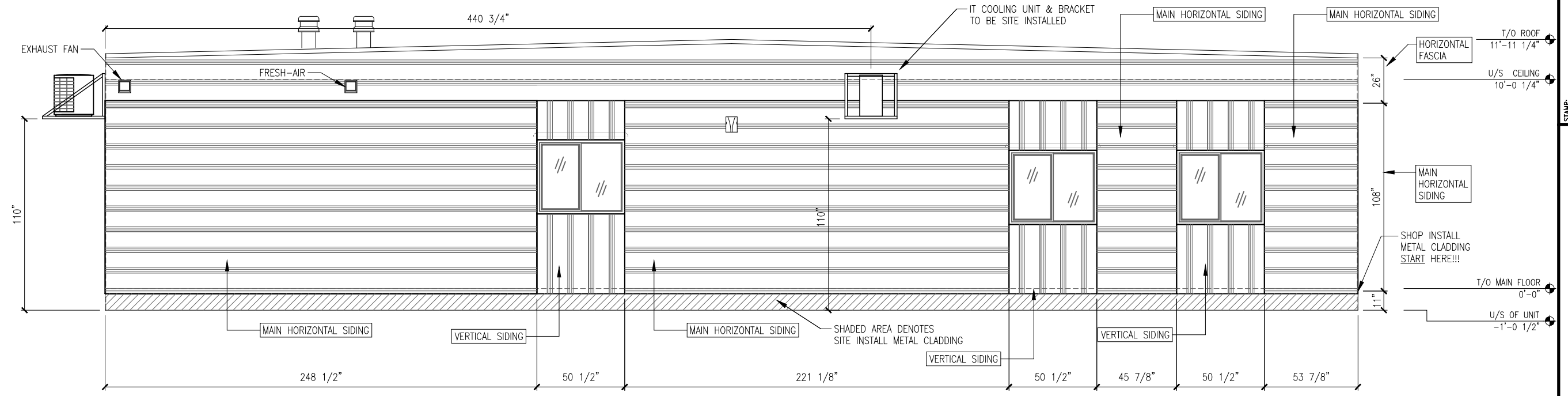
CHECKED BY:
--

APPROVED BY:
KC



1 EXTERIOR ELEVATIONS
A1.7 SCALE: #####

OC4



2 EXTERIOR ELEVATIONS
A1.7 SCALE: #####

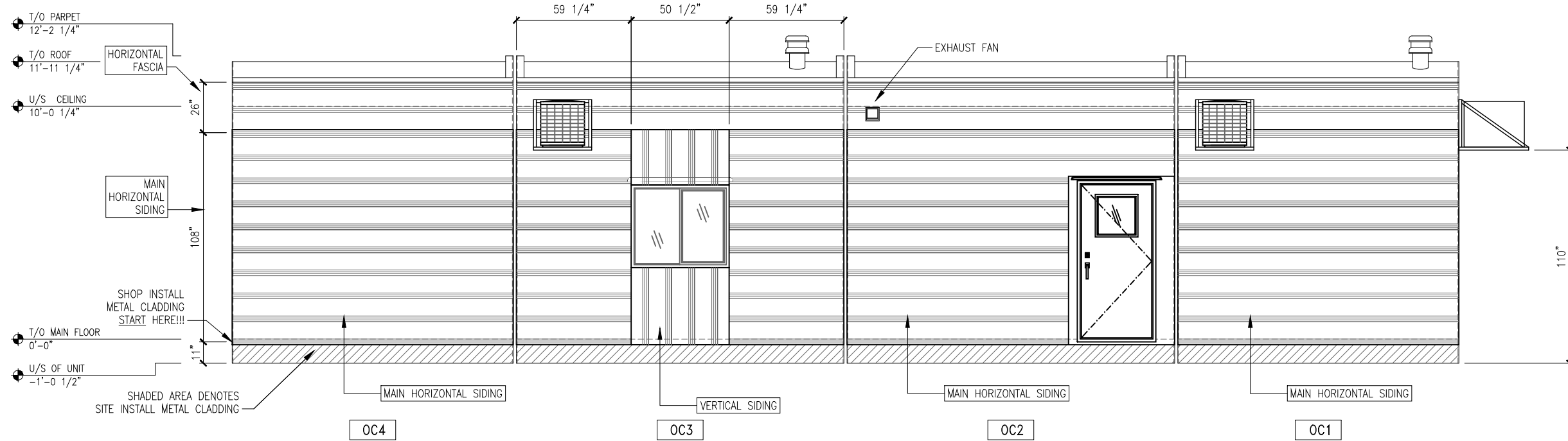
OC1

STAMP:

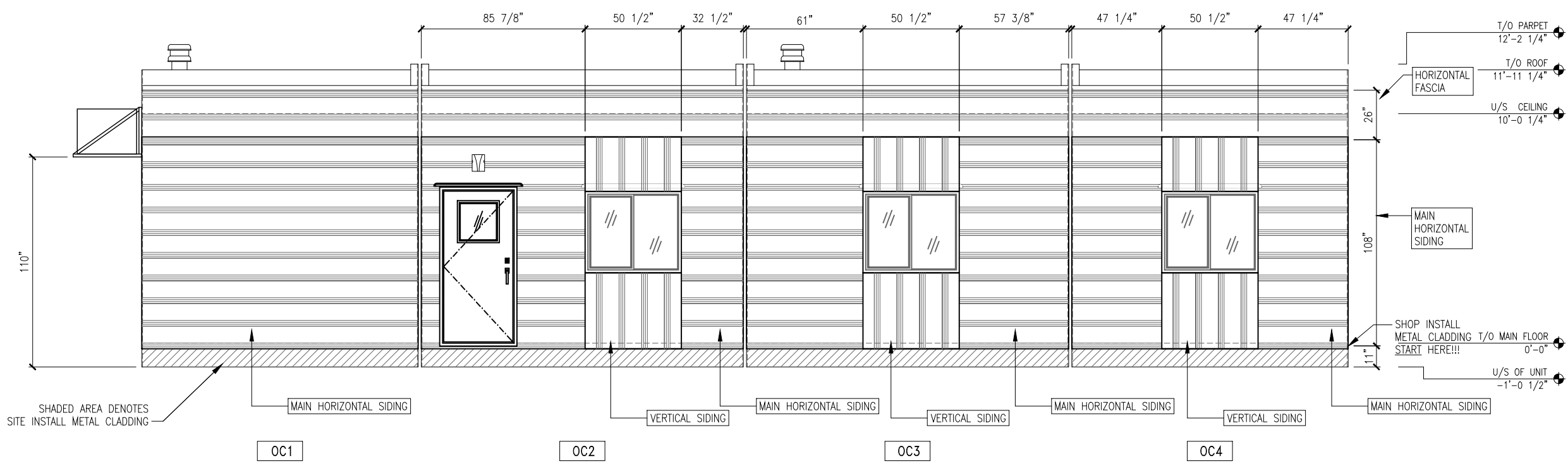
EXTERIOR ELEVATIONS
PROJECT: PROGRESS ENERGY LTD.
4-UNIT (F) OFFICE COMPLEX

PLAN:
PROJECT:
SHEET NO.:

A1.7



1 EXTERIOR ELEVATIONS
A1.8 SCALE: #####



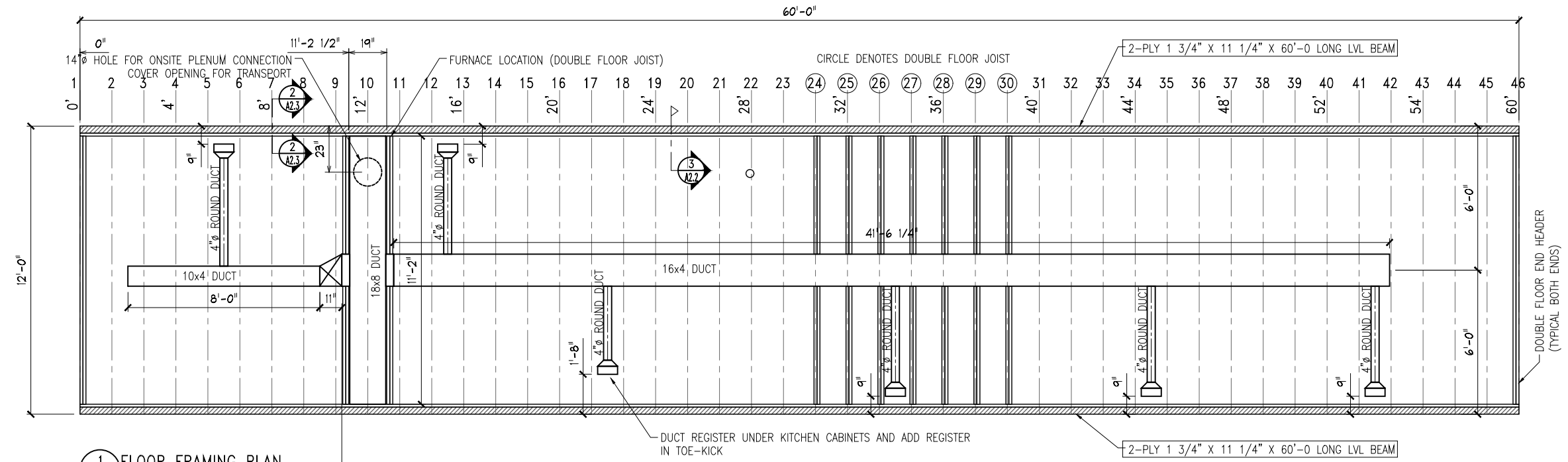
2 EXTERIOR ELEVATIONS
A1.8 SCALE: #####

STAMP:

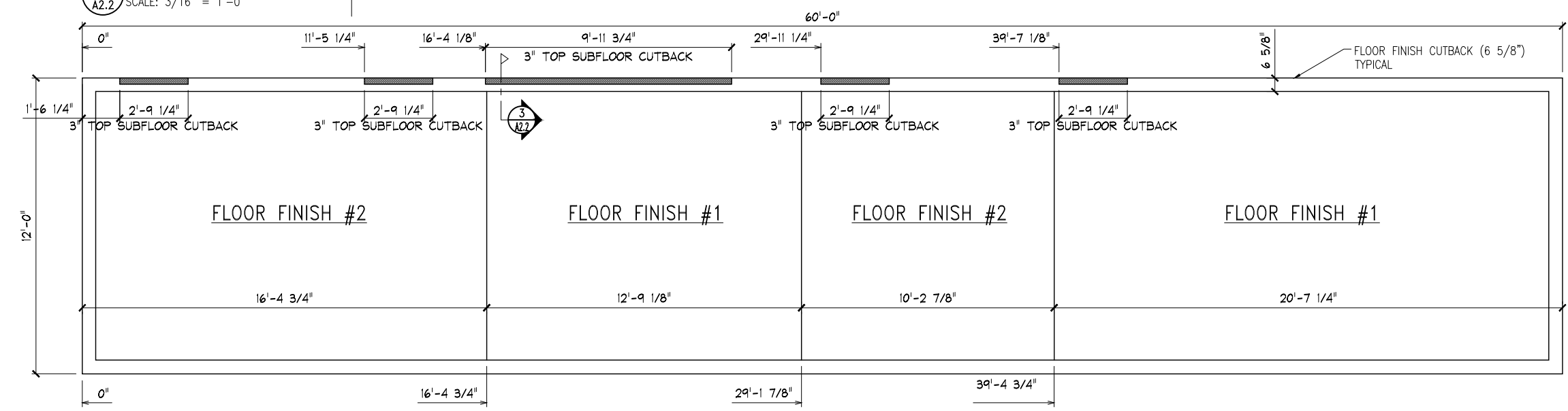
EXTERIOR ELEVATIONS
PROGRESS ENERGY LTD.
4-UNIT (F) OFFICE COMPLEX

PLAN:
PROJECT:
SHEET NO.:

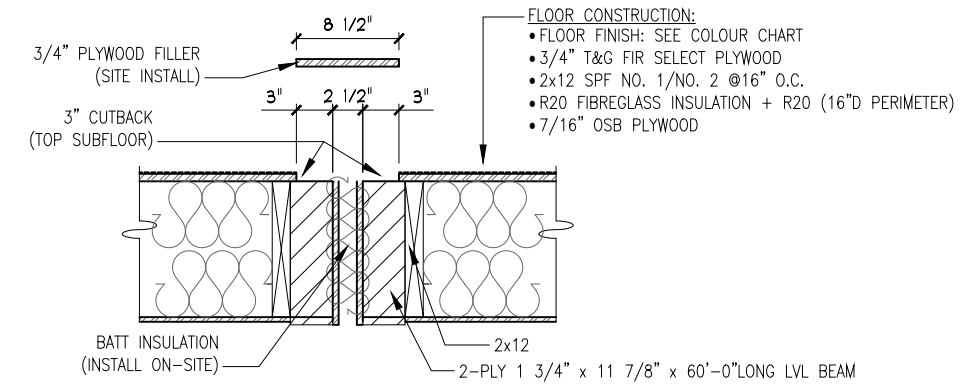
A1.8



1 FLOOR FRAMING PLAN
A2.2 SCALE: 3/16" = 1'-0"



2 FLOOR FINISH PLAN
A2.2 SCALE: 3/16" = 1'-0"



3 FLOOR INTERCONNECT DETAIL
A2.2 SCALE: 3/4" = 1'-0"

NOTE: ALL CONSTRUCTIONS ARE SHOP INSTALL EXCEPT AS NOTED

FLOOR FRAMING SCHEDULE			
UNDERSIDE	BLACK (STAIN LATEX PAINT #01 107)	INSULATION	R20 FIBREGLASS BATT (SEE NOTE #1)
SHEATHING	7/16" O.S.B. PLYWOOD	SUBFLOOR-BOTTOM	N/A
JOISTS	2x12 SPF NO. 1/NO. 2 @16" O.C.	SUBFLOOR-TOP	3/4" T&G FIR PREMIUM SELECT PLYWOOD
JOIST HANGER	YES	UNDERBELLY	N/A

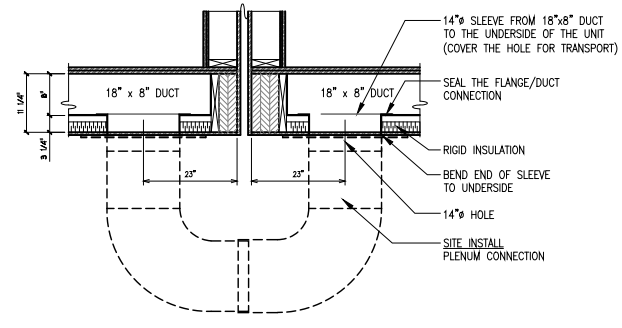
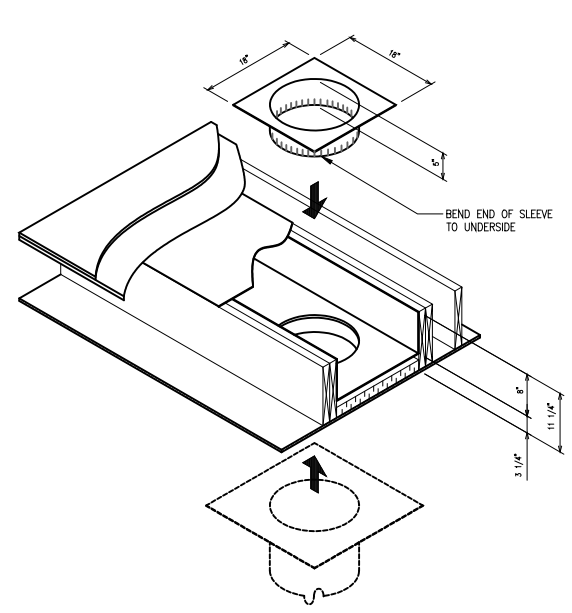
NOTES

- [1] TO BE R20 + 16"D R20 AROUND THE PERIMETER OF EACH UNIT. [2] SEE COLOUR CHART FOR FLOOR FINISH COLOURS.
- [3] FLOOR REGISTERS THAT ARE 12" OR MORE AWAY FROM THE EXTERIOR WALL TO BE C/W BLOCKING.
- [4] EVERY NOTCHED FLOOR JOIST TO BE C/W 5/8" PLYWOOD REINFORCEMENT ON ONE SIDE (SIDE CLOSEST TO FURNACE).
- [5] METAL JOIST HANGERS TO BE: (SINGLE JOIST) "SIMPSON STRONG TIE" [LUS210L] & (DOUBLE JOISTS) "SIMPSON STRONG TIE" [LUS210-2L].

STAMP:

FLOOR FRAMING PLAN
PROJECT:
PROGRESS ENERGY LTD.
4-UNIT (S) OFFICE COMPLEX

PLAN:
SHEET NO.:
A2.2



2 PLENUM CONNECTION DETAIL
A2.2a SCALE: #####

STAMP:

PLAN: PLENUM CONNECTION DETAIL [

PROJECT: PROGRESS ENERGY LTD.
4-UNIT (S) OFFICE COMPLEX

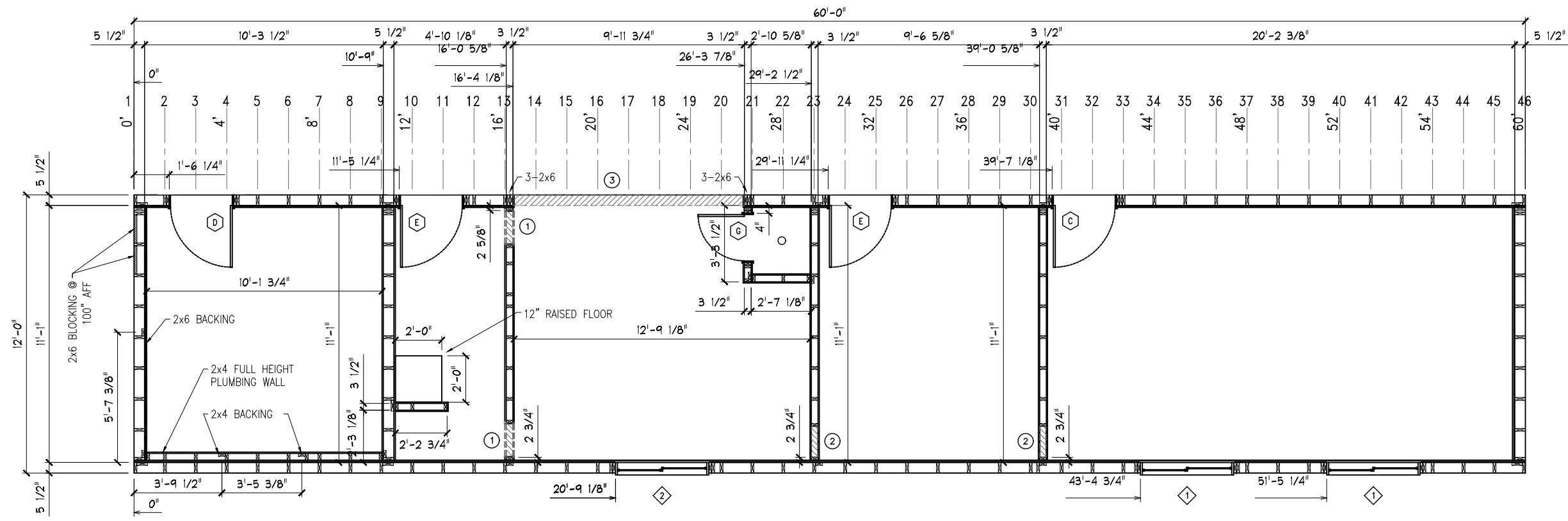
SHEET NO.:
A2.2a

STAMP:

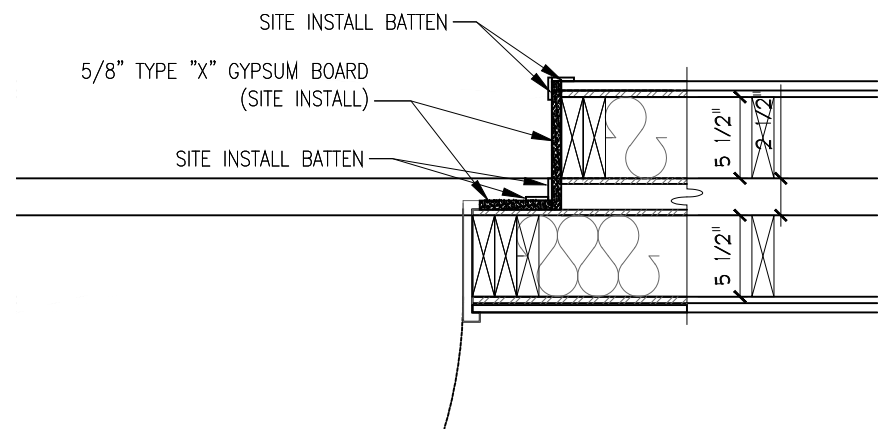
PLAN:
WALL FRAMING PLAN

PROJECT:
PROGRESS ENERGY LTD.
4-UNIT (S) OFFICE COMPLEX

SHEET NO.:
A2.3



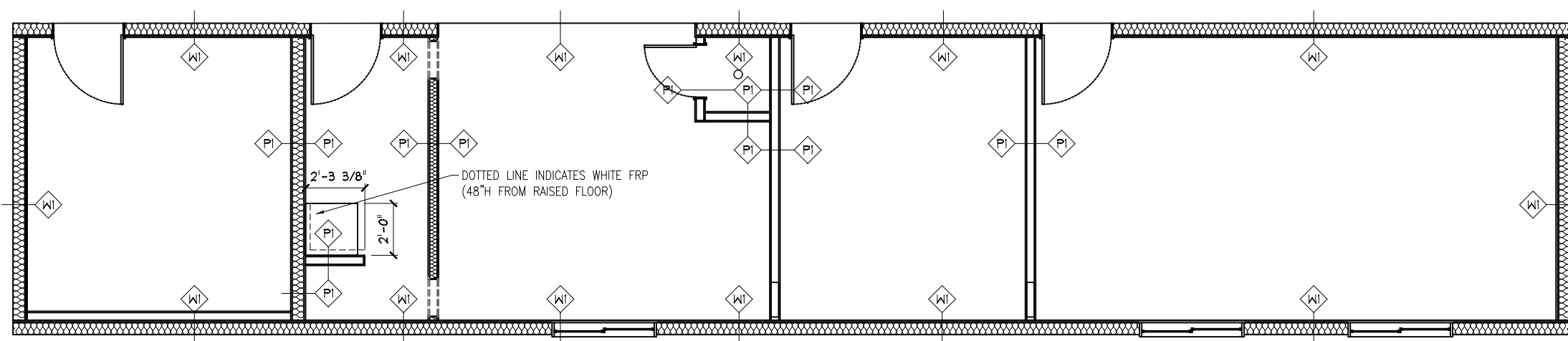
1 WALL FRAMING PLAN
 A2.3 SCALE: 3/16" = 1'-0"



2 INTERIOR DOOR CONNECTION DETAIL
 A2.3 SCALE: 3/16" = 1'-0"


- WALL FRAMING NOTES**
- [1] CEILING HEIGHT TO BE 10'-0 1/4" H. UNLESS NOTED. [2] ALL EXTERIOR WALLS TO BE C/W 2X6 JOISTS UNLESS NOTED.
 - [3] ALL INTERIOR WALLS TO BE C/W 2X4 JOISTS UNLESS NOTED. [4] NO SCREWING RIBS ON THE EXTERIOR WALLS.
 - [5] ALL JOIST SPACING TO BE 16" O.C. UNLESS NOTED. [6] SEE "OVERALL DOOR/WINDOW SCHEDULE" FOR COMPLETE INFORMATION.
 - [7] ALL WALLS TO BE C/W DOUBLE TOP WALL PLATE.

MISC. ROUGH OPENING SCHEDULE					
ITEM #	QUANTITY		SILL HEIGHT	TYPE	DESCRIPTION
1	2	17 3/4"W x 9 3/4"H	HEADER @ 1 1/2" DOWN	R/A OPENING	LINE W/ 5/8" TYPE 'X' GYP. BD.
2	2	16"W x 8"H	HEADER @ 1 1/2" DOWN	R/A OPENING	-
3	1	119 3/4"W x 102"H	HEADER @ 18 1/4" DOWN	OPENING	C/W 3-2x12 LINTEL
4					
5					



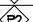



1 WALL FINISH PLAN
A2.4 SCALE: 3/16" = 1'-0"

INSULATION LEGEND

 FIBREGLOSS BATTENS, R12 (2x4 WALL) & R20 (2x6 WALL)

WALL FINISH SCHEDULE

WALL	INTERIOR SHEATHING	VAPOUR BARRIER	FINISH	EXTERIOR SHEATHING	EXTERIOR BUILDING WRAP
	7/16" O.S.B.	6 MIL POLY	5/8" V.C. TYPE "X" GYPSUM BOARD [WALL FINISH #1]	7/16" O.S.B.	TYPAR OR EQUAL
					
	N/A	N/A	5/8" V.C. TYPE "X" GYPSUM BOARD [WALL FINISH #1]	N/A	N/A
					

NOTES

[1] SEE COLOUR SCHEDULE FOR SPECIFIC WALL FINISH.

STAMP:

PLAN: WALL FINISH PLAN

PROJECT: PROGRESS ENERGY LTD.
4-UNIT (S) OFFICE COMPLEX

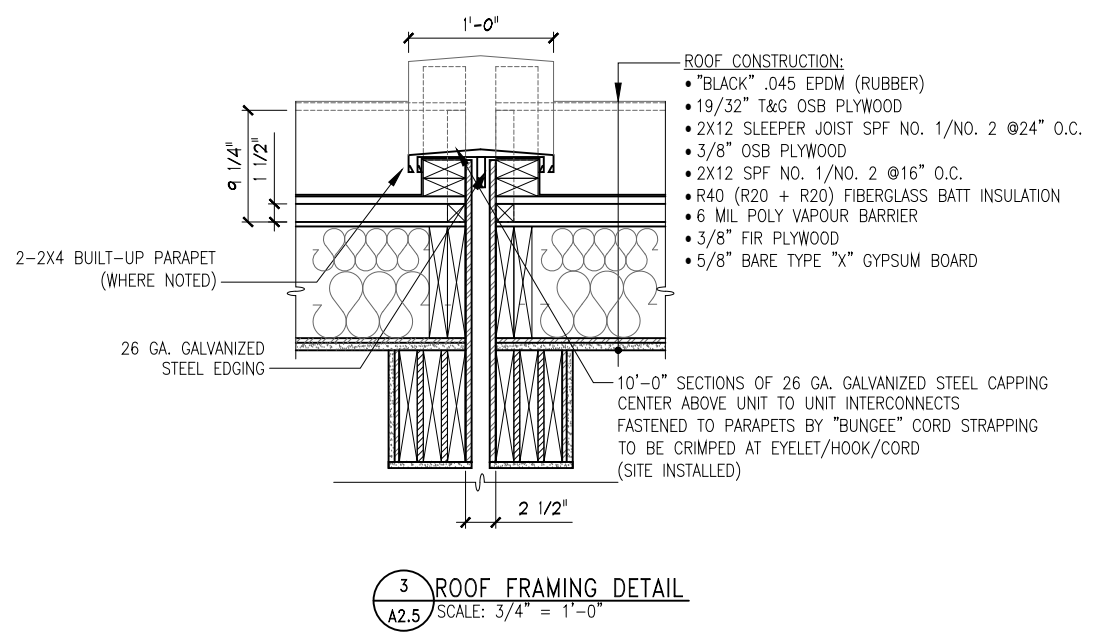
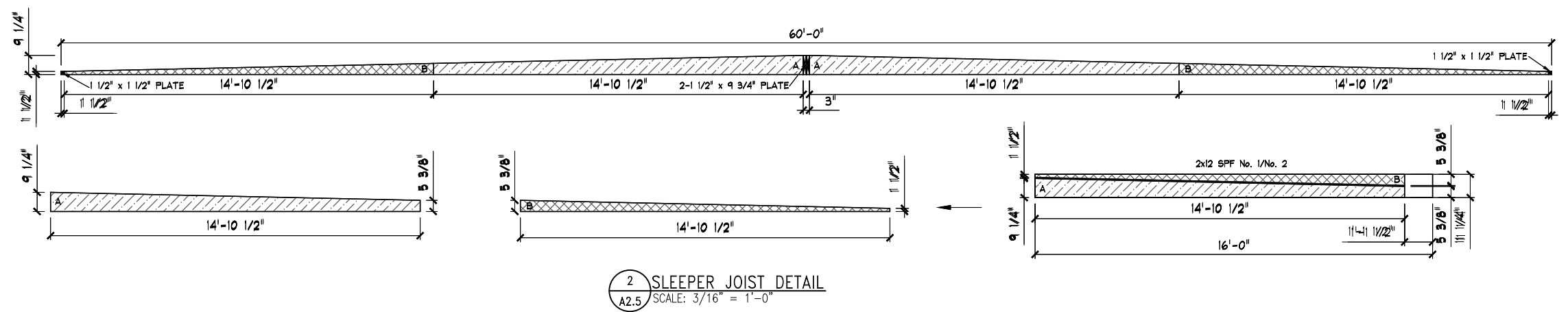
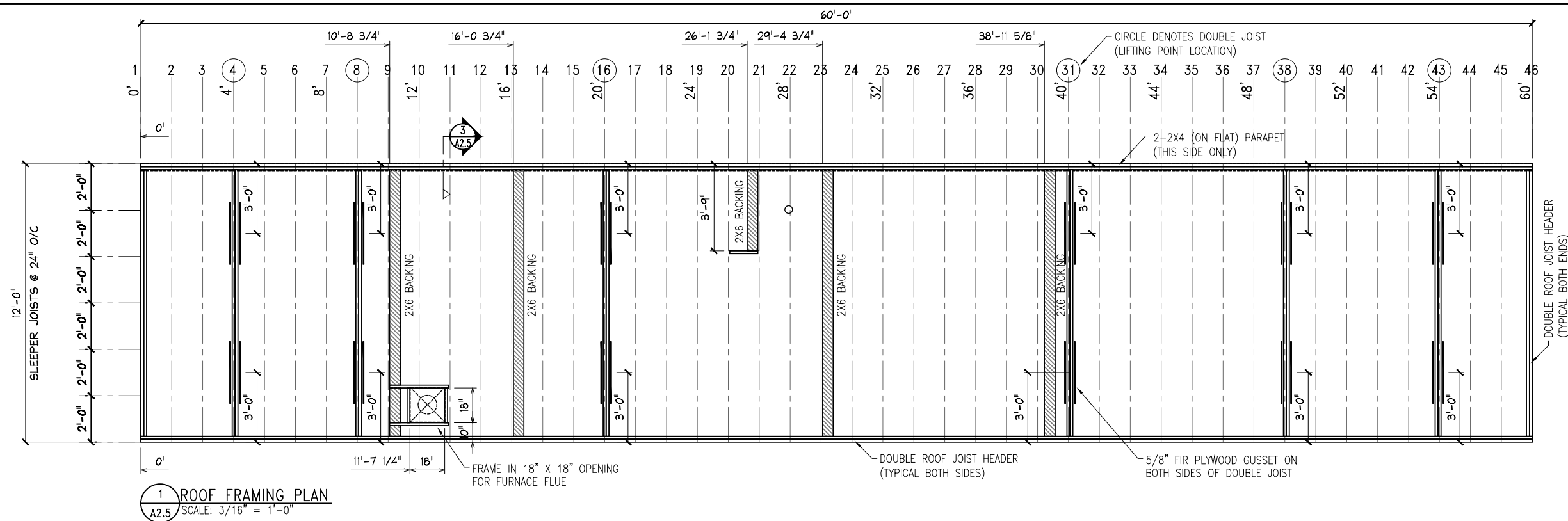
SHEET NO.:

A2.4

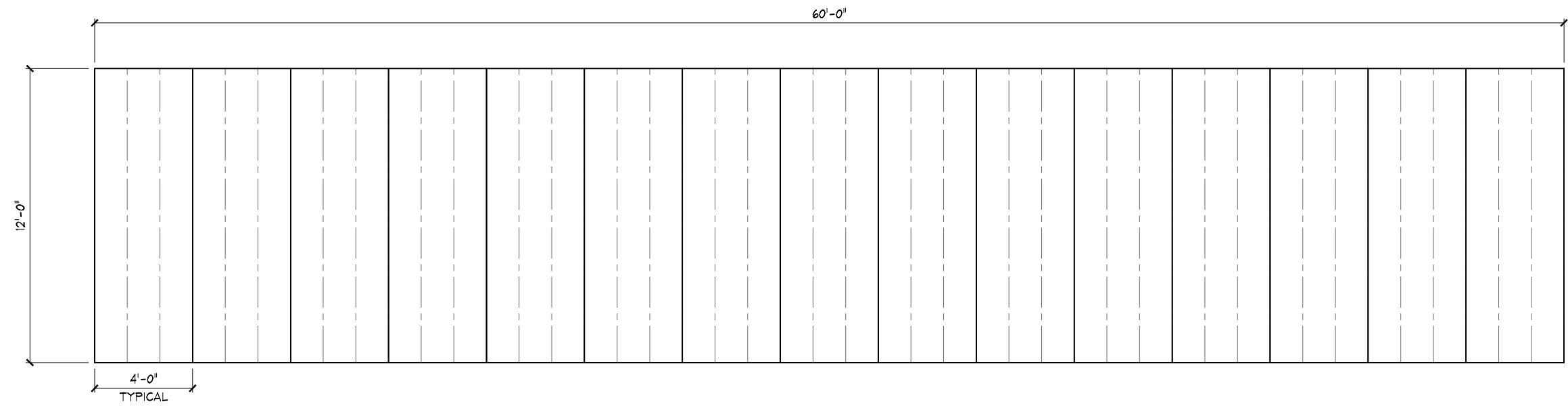
STAMP:

PLAN:
PROJECT:
ROOF FRAMING PLAN
PROGRESS ENERGY LTD.
4-UNIT (S) OFFICE COMPLEX

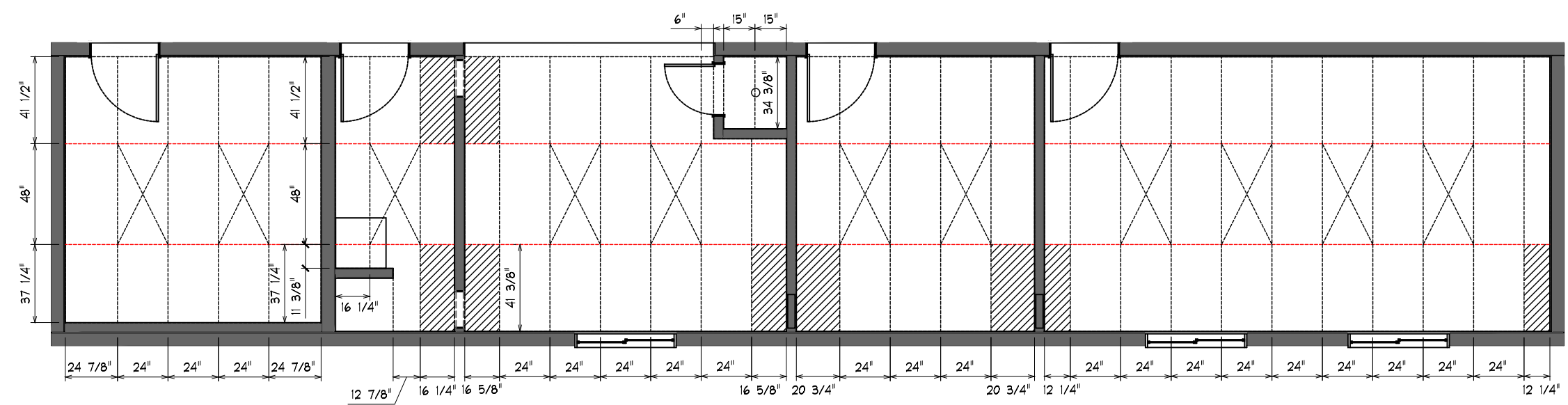
SHEET NO.:
A2.5



ROOF FRAMING SCHEDULE			
ROOFING TYPE	.045 EPDM (RUBBER)	CROWNED/SLOPED	SLEEPER JOIST: CROWNED (END TO END) ROOF JOIST: NO SLOPE
ROOFING COLOUR	BLACK	INSULATION	R40 FIBREGLAS BATT (R20+R20)
SLEEPER DECK	19/32" T&G O.S.B. PLYWOOD	VAPOUR BARRIER	6 MIL POLY
SLEEPER JOISTS	2x12 SPF NO. 1/NO. 2 @24" O.C.	SHEATHING	3/8" FIR PLYWOOD
ROOF DECK	3/8" O.S.B. PLYWOOD	CEILING	5/8" BARE TYPE "X" GYPSUM BOARD
ROOF JOISTS	2x12 SPF NO. 1/NO. 2 @16" O.C.	CEILING FINISH	SUSPENDED CEILING (9'-0 1/4" FROM FIN. FLR.)
NOTES			
[1] THE ROOF LIFTING WEIGHT IS A GUIDE FOR AFS MANUFACTURING ONLY.			
[2] ROOF LIFTING WEIGHT CONSISTS OF CEILING FINISH, SHEATHING, ROOF JOIST & A 5% SAFETY FACTOR.			



1 CEILING PLAN
A2.6 SCALE: 3/16" = 1'-0"
NOTE: VIEW IS GYPSUM BOARD FACING UP !!



1 T-BAR CEILING PLAN
A2.6 SCALE: 3/16" = 1'-0"
CEILING HEIGHT: 10'-0 1/4"
FINISHED T-BAR HEIGHT: 9'-0"
T-BAR GRID TO BE INSTALLED IN MANUFACTURING PLANT, TILES INSTALLED ON SITE.

= 2' x 4' DROP-IN FLOURESCENT LIGHT (11 QTY.)

= DROP-IN RETURN-AIR GRATE

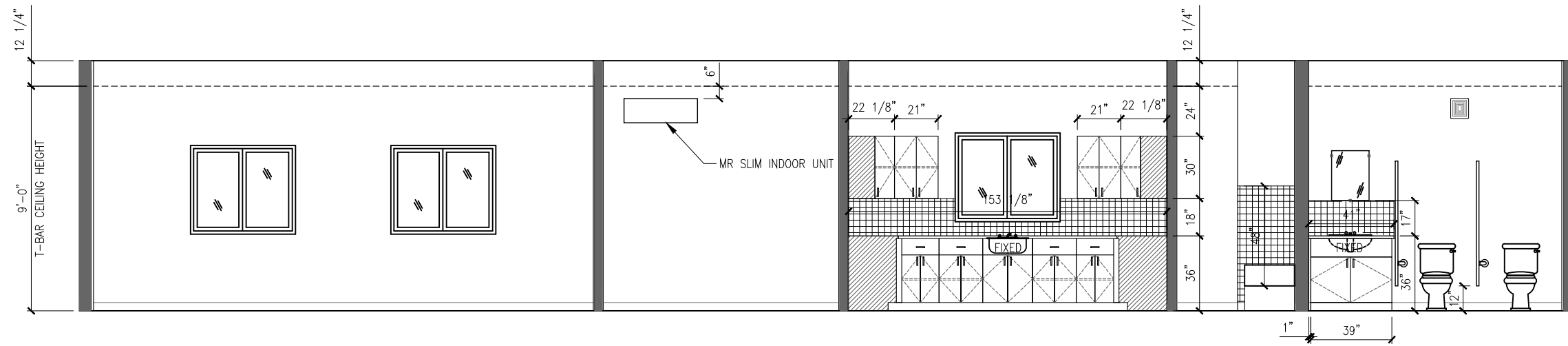
STAMP:

PLAN: CEILING PLAN

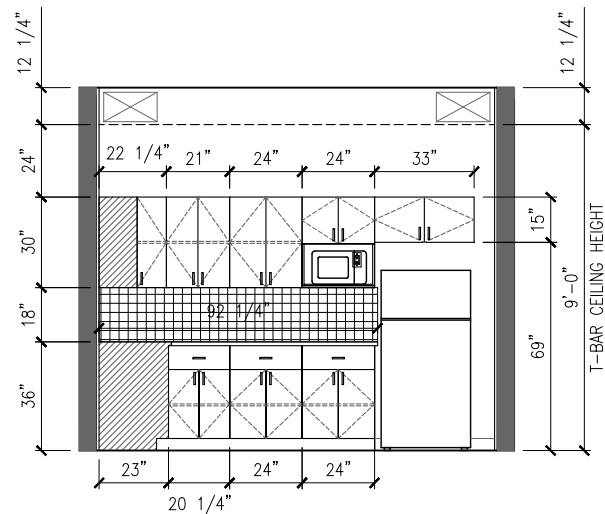
PROJECT: PROGRESS ENERGY LTD.
4-UNIT (S) OFFICE COMPLEX

SHEET NO.:

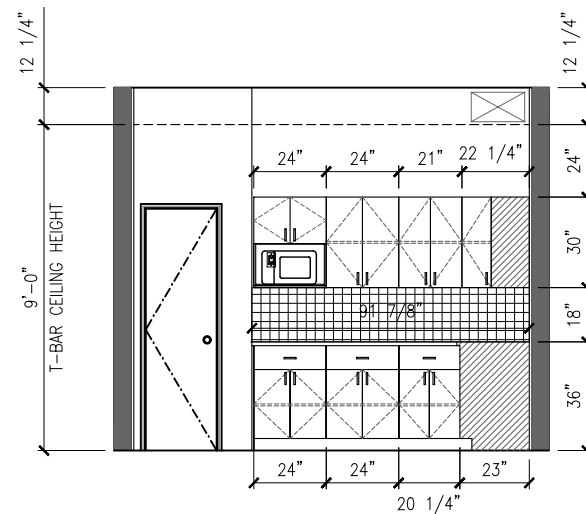
A2.6



1 INTERIOR ELEVATION
A2.7 SCALE: 3/16" = 1'-0"



2 INTERIOR ELEVATION
A2.7 SCALE: 3/16" = 1'-0"



3 INTERIOR ELEVATION
A2.7 SCALE: 3/16" = 1'-0"

FINISHING SCHEDULE

CERAMALITE	**WHITE FRP ON MOP SINK & URINAL WALL ONLY**	DOOR TRIM	SEE COLOUR CHART
BASEBOARD	SEE COLOUR CHART	WINDOW TRIM	SEE COLOUR CHART
SHEET TO SHEET	V.C. BATTEN (SEE NOTE #3)	APPLIANCES	SHIP FIXED IN PLACE
WALL TO WALL	V.C. BATTEN (SEE NOTE #3)	PACKING MATERIAL	SEE PARTS LIST
WALL TO CEILING	V.C. BATTEN (SEE NOTE #3)	MISC.	-

NOTES

- [1] MECH./FURNACE ROOM TO BE C/W 1 1/2" X 1 1/2" 'BONE WHITE' METAL MOLDINGS.
- [2] ALL PENETRATIONS THROUGH MECH./FURNACE WALLS TO BE FIRE CAULKED.
- [3] BATTENS TO MATCH THE WALL VINYL.

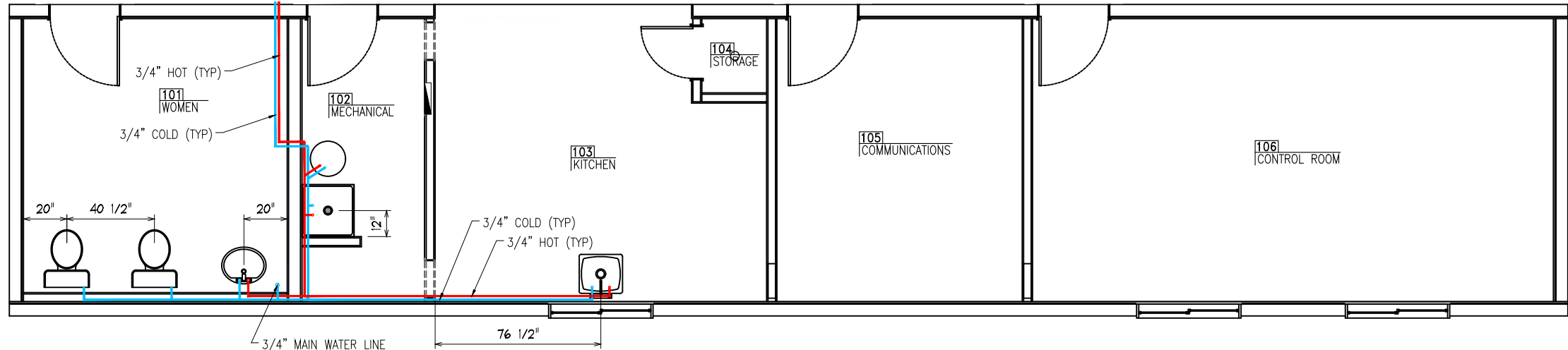
STAMP:

INTERIOR ELEVATION
PROGRESS ENERGY LTD.
4-UNIT (S) OFFICE COMPLEX

PLAN:

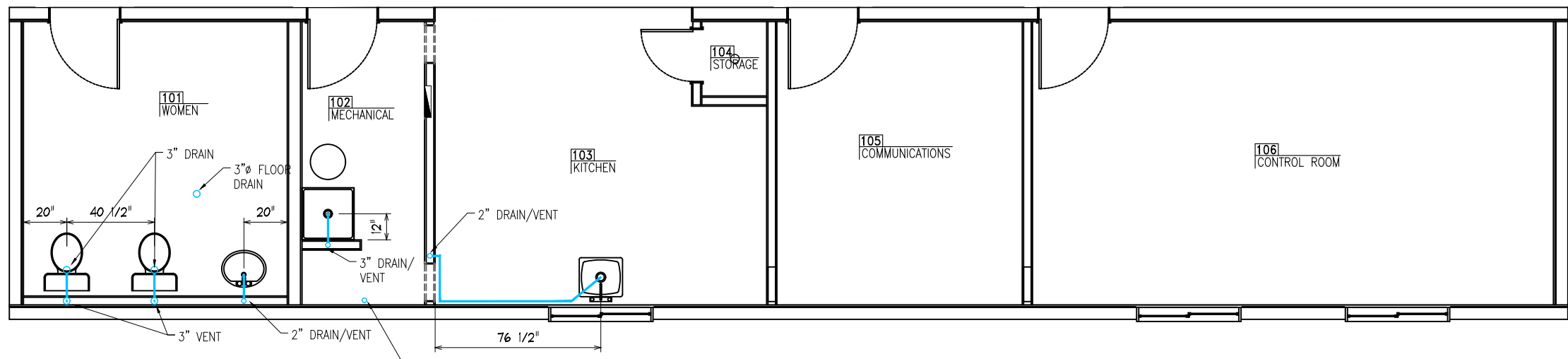
SHEET NO.:

A2.7

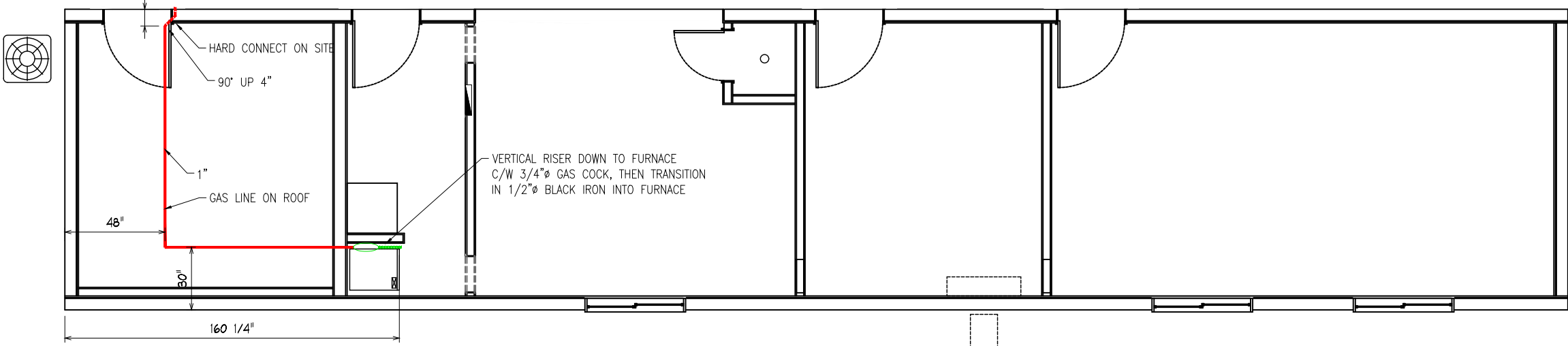


1 WATER LINE PLAN
P2.1 SCALE: 3/16" = 1'-0"

NOTE: ALL DRAINS TO STUB DOWN TO UNDERSIDE OF UNIT FOR FINAL SITE INSTALL HOOK-UP.



2 SEWER LINE PLAN
P2.1 SCALE: 3/16" = 1'-0"

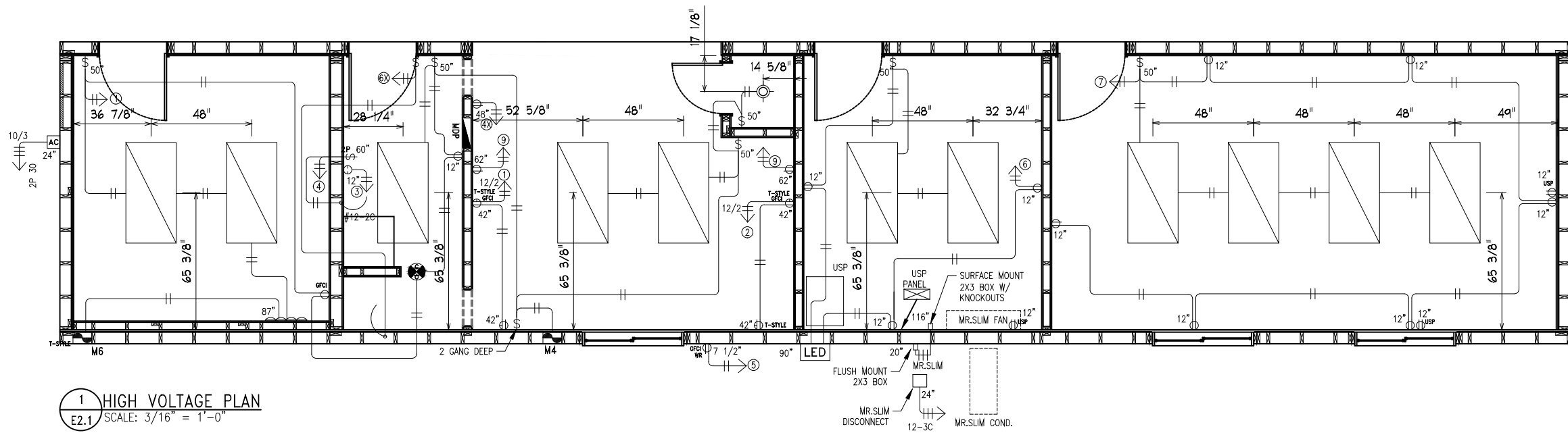


3 GAS LINE PLAN
P2.1 SCALE: 3/16" = 1'-0"

STAMP:

PLAN: WATER_SEWER_GAS PLAN
PROJECT: PROGRESS ENERGY LTD.
4-UNIT (S) OFFICE COMPLEX

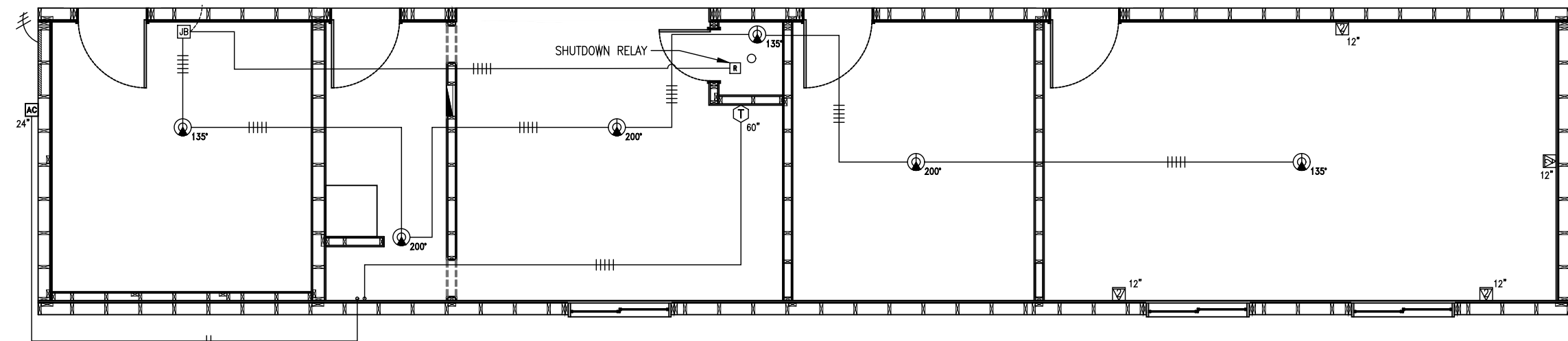
SHEET NO.:
P2.1



1 HIGH VOLTAGE PLAN
E2.1 SCALE: 3/16" = 1'-0"

PANEL DIRECTORY				
1	20A	1 RED 2	6X	15A
2	20A	-	3	15A
1	15A	3 BLK 4	3	15A
6	15A	-	5	15A
7	15A	5 RED 6	9	15A
A/C	30A	-	MS	20A
A/C	30A	7 BLK 8	MS	20A
4X	15A	-	9	15A
		9 RED 10		
		-		
		11 BLK 12		
		-		
		13 RED 14		
		-		
		15 BLK 16		
		-		
		17 RED 18		
		-		
		19 BLK 20		

ELECTRICAL SPECIFICATION	
PANEL BRAND	CUTLER HAMMER
SWITCH/RECEPTACLE	-
PANEL MOUNTING	SURFACED
MAXIMUM FEED AMPS	100A
VOLTS	120/240V
PHASE	SINGLE
MAIN BREAKER	-
NUMBER OF CIRCUITS	20/40 CCT
PANEL TYPE	NON-COMB
PANEL DIMENSIONS	-
NOTES	



2 LOW VOLTAGE PLAN
E2.1 SCALE: 3/16" = 1'-0"

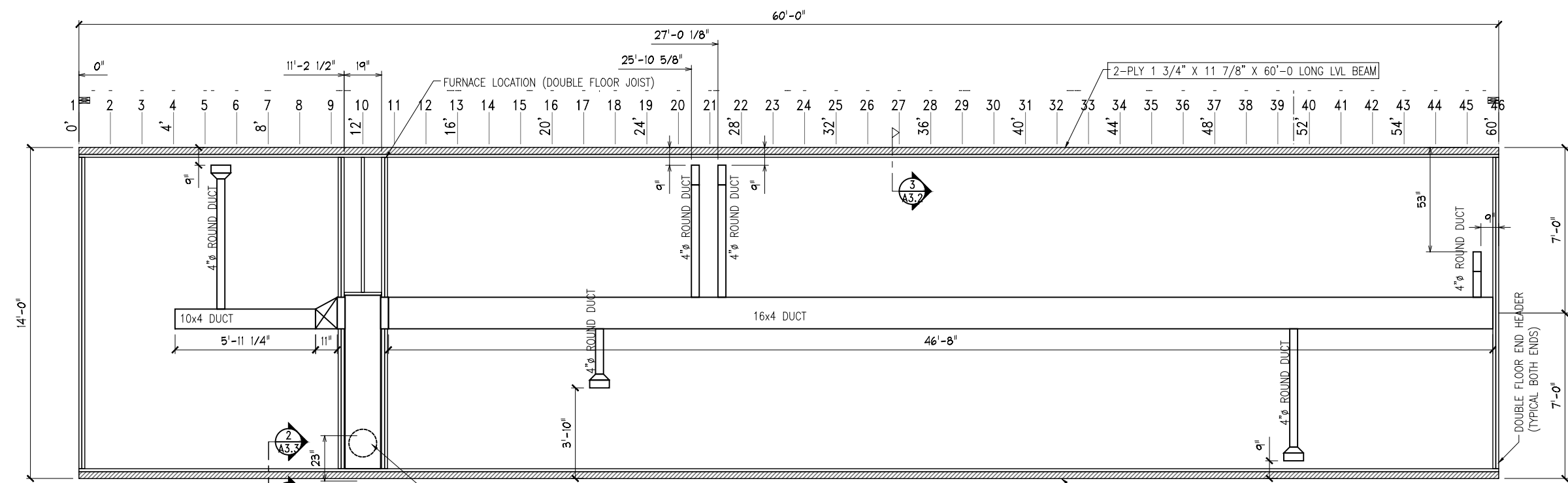
HIGH VOLTAGE SYMBOL SCHEDULE					
LEGEND	QTY.	DESCRIPTION	LEGEND	QTY.	DESCRIPTION
⊕	13	TR RECEPTACLE "DECORA" DUPLEX	⊕	-	2 HEAD EMERGENCY LIGHT WALL MOUNT/BATTERY BACKUP[LUMACELL/RGC442M9W]
⊕	1	EXTERIOR RECEPTACLE "DECORA" [GFCI] WR/TR W/ IN-USE COVER	⊕	-	ALARM SMOKE/CO COMBO "BRK" [SC9120BA]
⊕	-	INTERIOR RECEPTACLE "DECORA" [GFCI-TR 15A] (5-15R)	⊕	1	EXHAUST FAN (120 CFM)
⊕	-	GFI DECORA DEAD FRONT (120V)	⊕	-	WALL MOUNTED HEATER 2000W 208V "OUELLET" OVS2008
⊕	-	RECEPTACLE P-TAC 20A 208V "6-20R" (SEE NOTE #1)	⊕	-	THERMOSTAT INSTALLED ON UNIT "OUELLET" OVS-TB2
⊕	-	RECEPTACLE DRYER 30A, 120/240V "14-30R"	⊕	1	8X10 HINGED WP PVC BOX W/SCREW FASTNERS "HAMMOND" [FJ1084RH]
⊕	-	RECEPTACLE "DECORA" DUPLEX [W/ 2 USB CHARGING PORTS]	⊕	-	REVERSE ACTION THERMOSTAT "JOHNSON CONTROLS" T26
\$	5	SWITCH "DECORA" [1-POLE]	⊕	-	JUNCTION BOX
\$	-	SWITCH "DECORA" [3-WAY]	⊕	1	SUB-DISTRIBUTION PANEL: SEE ELECTRICAL SPECIFICATIONS
NOTES					

LOW VOLTAGE SYMBOL SCHEDULE					
LEGEND	QTY.	DESCRIPTION	LEGEND	QTY.	DESCRIPTION
⊕	-	SILENCEABLE MINI-HORN [MH-S25]	⊕	-	COMBUSTION DETECTOR
⊕	-	HORN AND STROBE "EATON" [HSRC] ROOF MOUNTED *SHIP LOOSE	⊕	-	COMBUSTION DETECTOR W/ REMOTE LED
⊕	-	MANUAL PULL STATION "MIRCOM" [MS 401]	⊕	-	COMBUSTION DUCT DETECTOR W/ REMOTE LED
⊕	-	THERMOSTAT [HEAT/COOL] [LOW VOLTAGE] "WHITE RODGERS" [1C26]	⊕	3	24 VOLT, HEAT DETECTOR 135 DEGREE RATE OF RISE
⊕	1	"END OF LINE" RESISTOR 3.9K (DC) [MP 300]	⊕	3	24 VOLT, HEAT DETECTOR 200 DEGREE FIXED TEMPERATURE
⊕	-	COAX OUTLET	⊕	-	"END OF LINE" 47K RESISTOR "MIRCOM" (MP-300)
⊕	-	FIRE ALARM INTERCONNECT PLATE RED TWO GANG PLATE FOR CORDS & RECEPTACLES	⊕	4	NETWORK JACK
⊕	-	COAX INTERCONNECT (COAX PLATE INSTALLED)			
⊕	-	CABLE SPLITTER BOX C/W BWAY SPLITTER			
NOTES					

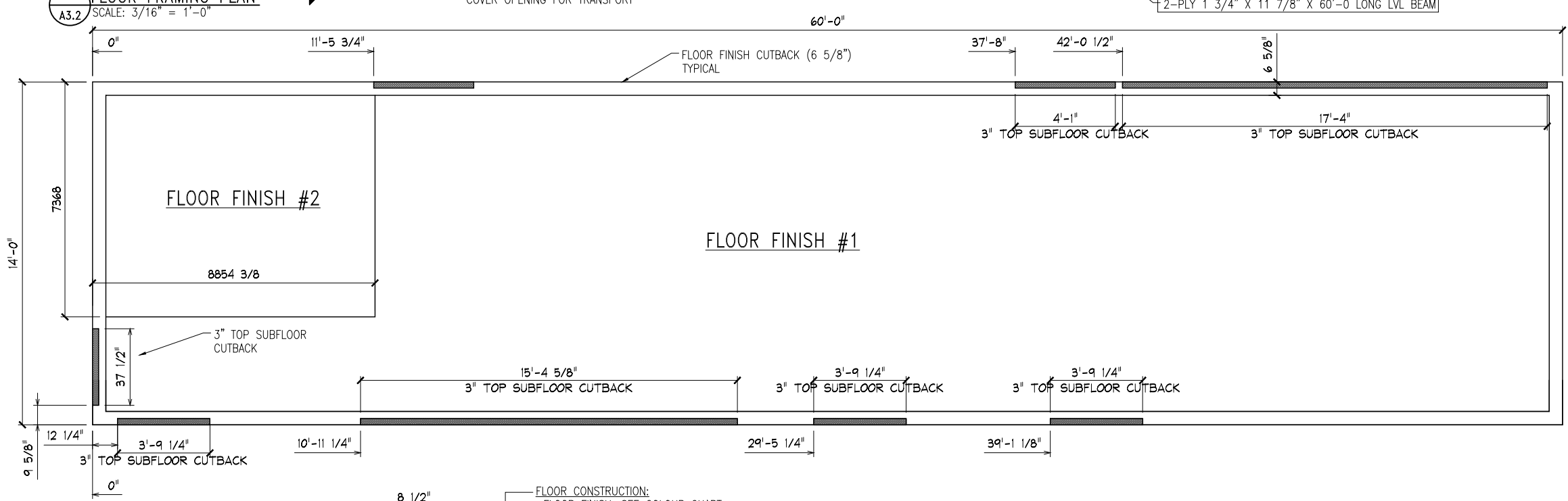
[1] FIRE ALARM COLOUR POLARITY: RED=POSITIVE(+), BLACK=NEGATIVE(-), BLUE=POSITIVE(+), BROWN=NEGATIVE(-)
[2] FIRE ALARM INTERCONNECTS ARE 2 GANG DEEP
[3] DATA/COAX OUTLET TO BE C/W 2 QTY. 3/4" CONDUIT RUN UP INTO T-BAR SPACE
[4] USP PANEL TO BE 100 AMP, 20/40 CCT, SINGLE PHASE, 120/208V.

STAMP:

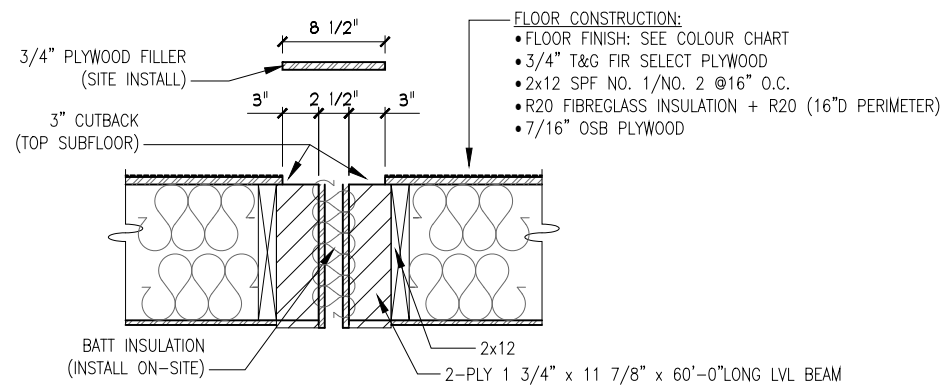
ELECTRICAL PLAN
PROJECT:
PROGRESS ENERGY LTD.
4-UNIT (S) OFFICE COMPLEX



1 FLOOR FRAMING PLAN
SCALE: 3/16" = 1'-0"



2 FLOOR FINISH PLAN
SCALE: 3/16" = 1'-0"



3 FLOOR INTERCONNECT DETAIL
SCALE: 3/4" = 1'-0"

NOTE: ALL CONSTRUCTIONS ARE SHOP INSTALL EXCEPT AS NOTED

- FLOOR CONSTRUCTION:
- FLOOR FINISH: SEE COLOUR CHART
 - 3/4" T&G FIR SELECT PLYWOOD
 - 2x12 SPF NO. 1/NO. 2 @16" O.C.
 - R20 FIBREGLASS INSULATION + R20 (16"D PERIMETER)
 - 7/16" OSB PLYWOOD

FLOOR FRAMING SCHEDULE			
UNDERSIDE	BLACK (STAIN LATEX PAINT #01 107)	INSULATION	R20 FIBREGLASS BATT (SEE NOTE #1)
SHEATHING	7/16" O.S.B. PLYWOOD	SUBFLOOR-BOTTOM	N/A
JOISTS	2x12 SPF NO. 1/NO. 2 @16" O.C.	SUBFLOOR-TOP	3/4" T&G FIR PREMIUM SELECT PLYWOOD
JOIST HANGER	YES	UNDERBELLY	N/A

NOTES

- [1] TO BE R20 + 16"D R20 AROUND THE PERIMETER OF EACH UNIT. [2] SEE COLOUR CHART FOR FLOOR FINISH COLOURS.
- [3] FLOOR REGISTERS THAT ARE 12" OR MORE AWAY FROM THE EXTERIOR WALL TO BE C/W BLOCKING.
- [4] EVERY NOTCHED FLOOR JOIST TO BE C/W 5/8" PLYWOOD REINFORCEMENT ON ONE SIDE (SIDE CLOSEST TO FURNACE).
- [5] METAL JOIST HANGERS TO BE: (SINGLE JOIST) "SIMPSON STRONG TIE" [LUS210L] & (DOUBLE JOISTS) "SIMPSON STRONG TIE" [LUS210-2L].

STAMP:

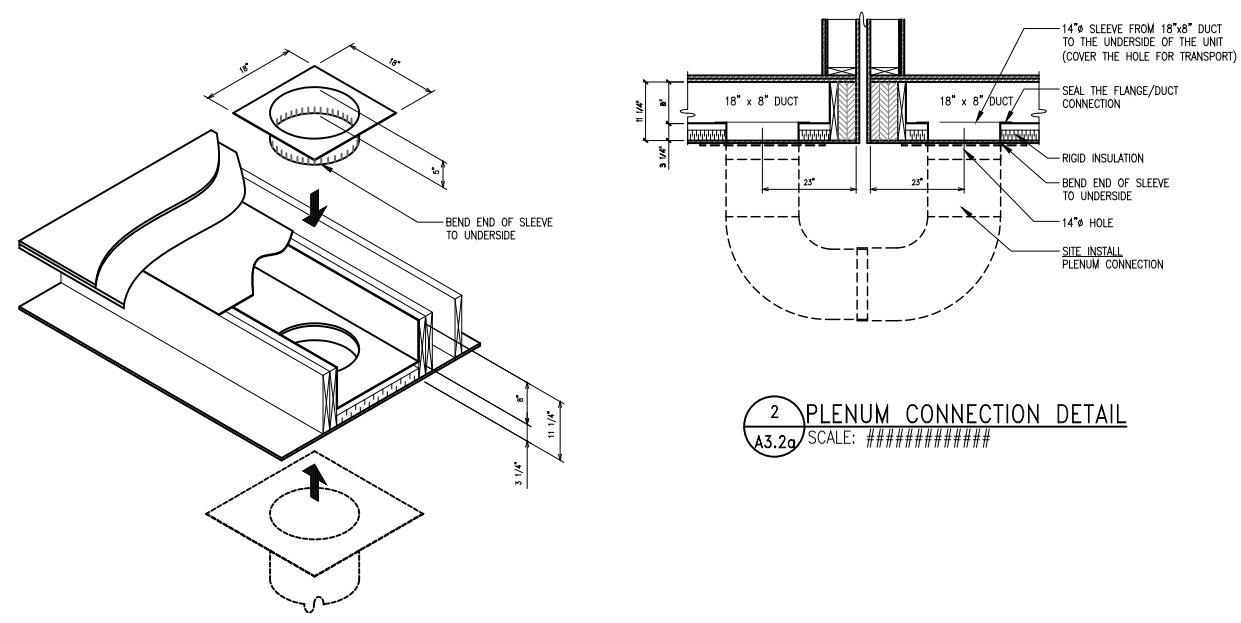
FLOOR FRAMING PLAN

PROJECT:

PROGRESS ENERGY LTD.
4-UNIT (S) OFFICE COMPLEX

SHEET NO.:

A3.2



2 PLENUM CONNECTION DETAIL
A3.2a SCALE: #####

STAMP:

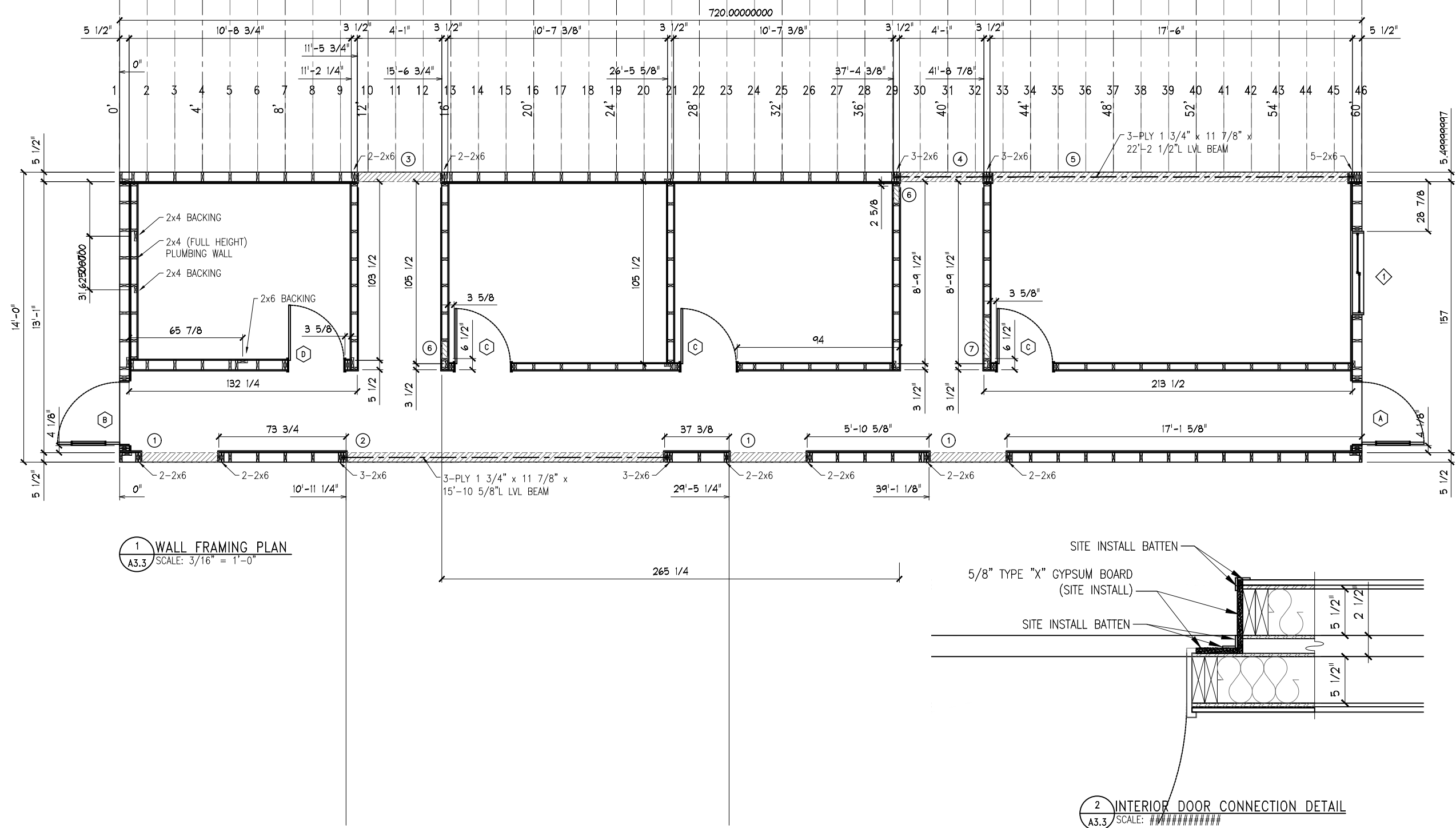
PLAN: PLENUM CONNECTION DETAIL [

PROJECT: PROGRESS ENERGY LTD.
4-UNIT (S) OFFICE COMPLEX

SHEET NO.:
A3.2a

STAMP:

WALL FRAMING PLAN
PROJECT:
PROGRESS ENERGY LTD.
4-UNIT (S) OFFICE COMPLEX
SHEET NO.:
A3.3



1 WALL FRAMING PLAN
A3.3 SCALE: 3/16" = 1'-0"

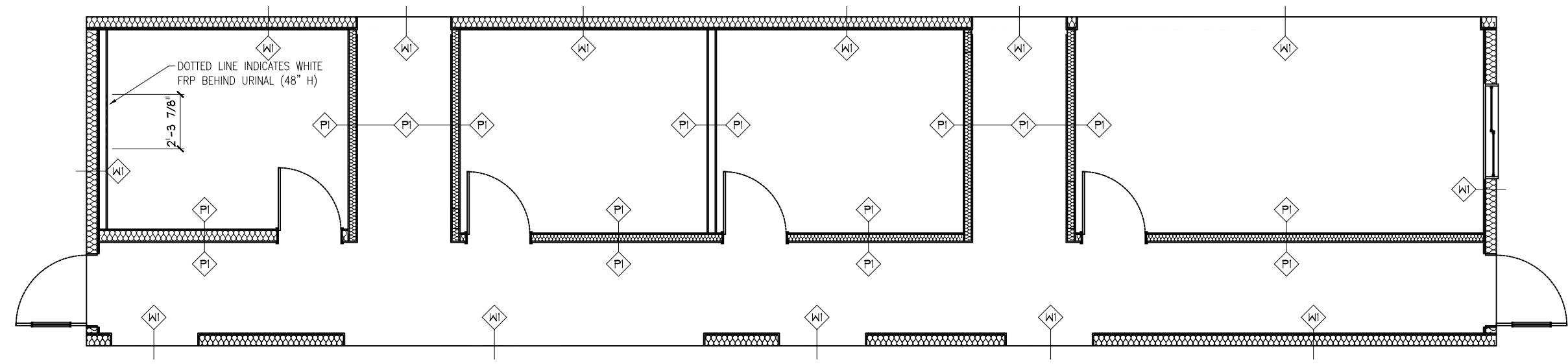
2 INTERIOR DOOR CONNECTION DETAIL
A3.3 SCALE: #/#####

MISC. ROUGH OPENING SCHEDULE

ITEM #	QUANTITY		SILL HEIGHT	TYPE	DESCRIPTION
①	3	45 1/4"W x 87"H	HEADER @ 33 1/4" DOWN	OPENING	C/W 3-2x8 LINTEL
②	1	184 5/8"W x 102"H	HEADER @ 18 1/4" DOWN	OPENING	C/W LVL BEAM (SEE PLAN)
③	1	49"W x 102"H	HEADER @ 18 1/4" DOWN	OPENING	C/W 3-2x8 LINTEL
④	1	49"W x 102"H	HEADER @ 18 1/4" DOWN	OPENING	C/W LVL BEAM (SEE PLAN)
⑤	1	210"W x 102"H	HEADER @ 18 1/4" DOWN	OPENING	C/W LVL BEAM (SEE PLAN)
⑥	2	10"W x 8"H	HEADER @ 1 1/2" DOWN	R/A OPENING	-
⑦	1	24"W x 8"H	HEADER @ 1 1/2" DOWN	R/A OPENING	-

WALL FRAMING NOTES

- [1] CEILING HEIGHT TO BE 10'-0 1/4"H. UNLESS NOTED. [2] ALL EXTERIOR WALLS TO BE C/W 2X6 JOISTS UNLESS NOTED.
- [3] ALL INTERIOR WALLS TO BE C/W 2X4 JOISTS UNLESS NOTED. [4] NO SCREWING RIBS ON THE EXTERIOR WALLS.
- [5] ALL JOIST SPACING TO BE 16" O.C. UNLESS NOTED. [6] SEE "OVERALL DOOR/WINDOW SCHEDULE" FOR COMPLETE INFORMATION.
- [7] ALL WALLS TO BE C/W DOUBLE TOP WALL PLATE.



1 WALL FINISH PLAN
A3.4 SCALE: 3/16" = 1'-0"

INSULATION LEGEND

FIBREGLASS BATTENS, R12 (2x4 WALL) & R20 (2x6 WALL)

WALL FINISH SCHEDULE

WALL	INTERIOR SHEATHING	VAPOUR BARRIER	FINISH	EXTERIOR SHEATHING	EXTERIOR BUILDING WRAP
WI	7/16" O.S.B.	6 MIL POLY	5/8" V.C. TYPE "X" GYPSUM BOARD [WALL FINISH #1]	7/16" O.S.B.	TYPAR OR EQUAL
W2					
P1	N/A	N/A	5/8" V.C. TYPE "X" GYPSUM BOARD [WALL FINISH #1]	N/A	N/A
P2					

NOTES

[1] SEE COLOUR SCHEDULE FOR SPECIFIC WALL FINISH.

STAMP:

PLAN: WALL FINISH PLAN

PROJECT: PROGRESS ENERGY LTD.
4-UNIT (S) OFFICE COMPLEX

PROJECT:

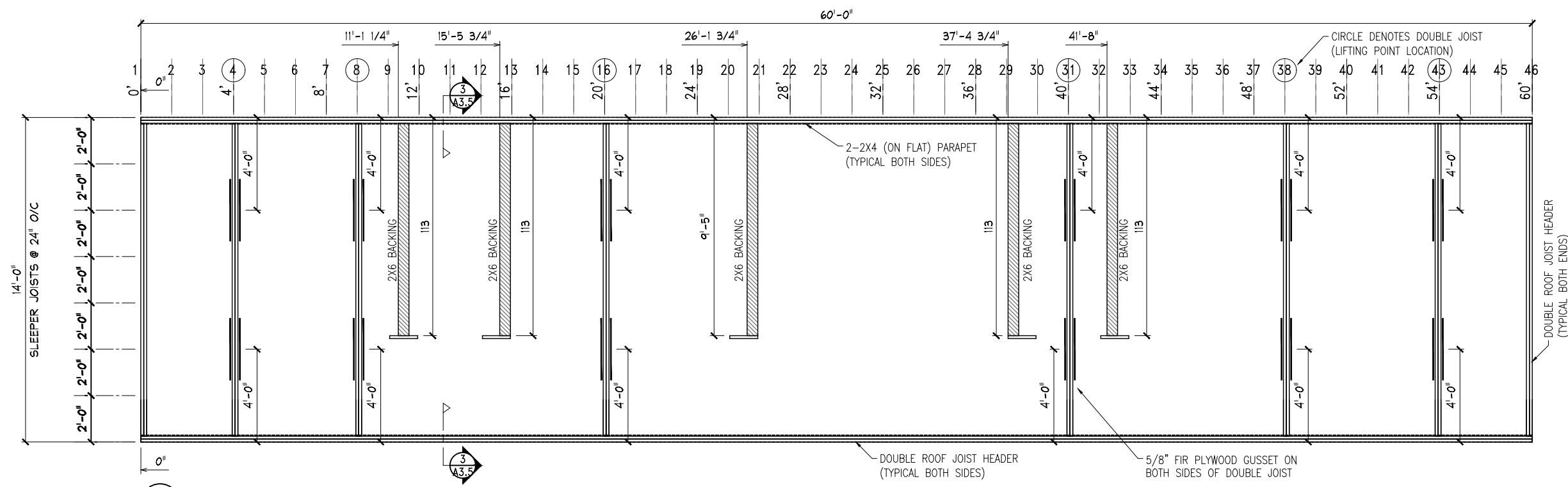
SHEET NO.:

A3.4

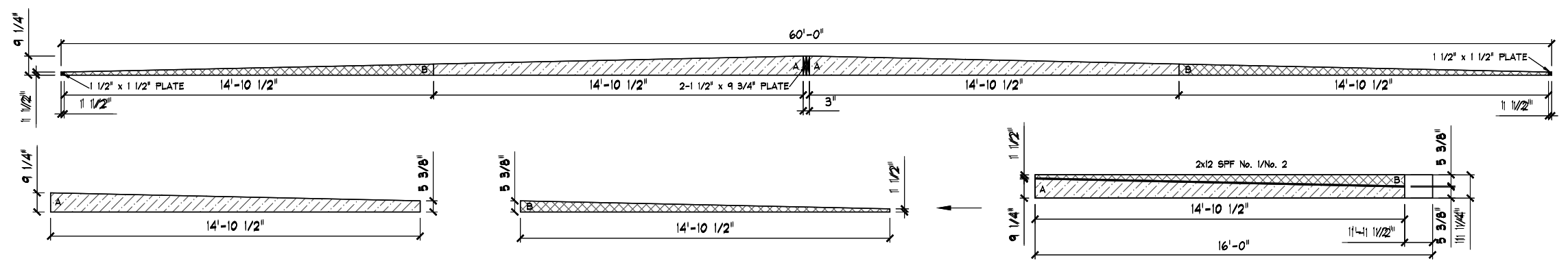
STAMP:

PLAN:
PROJECT:
ROOF FRAMING PLAN
PROGRESS ENERGY LTD.
4-UNIT (S) OFFICE COMPLEX

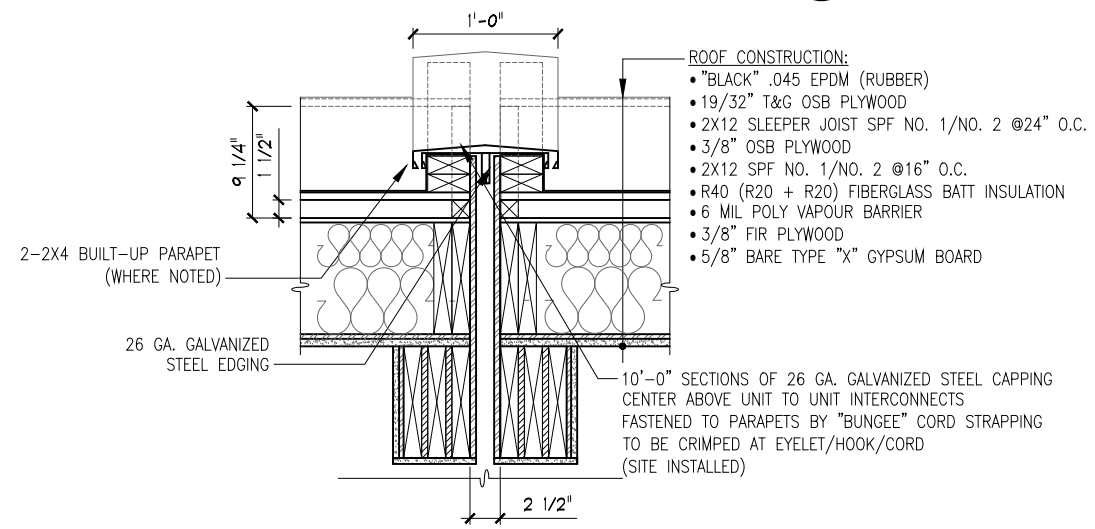
SHEET NO.:
A3.5



1 ROOF FRAMING PLAN
A3.5 SCALE: 3/16" = 1'-0"



2 SLEEPER JOIST DETAIL
A3.5 SCALE: 3/16" = 1'-0"

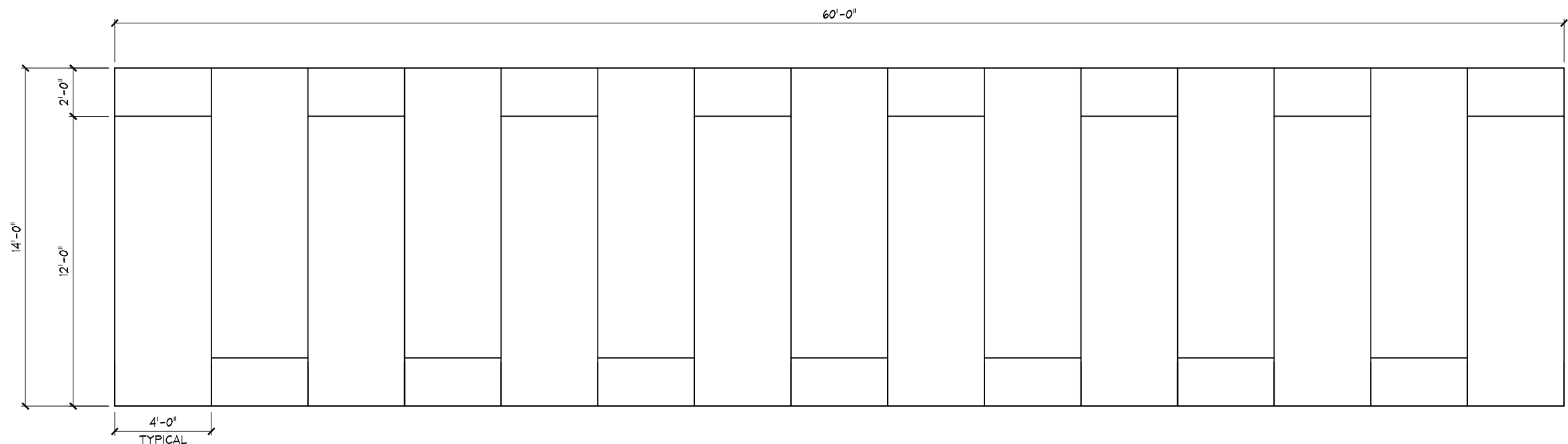


3 ROOF FRAMING DETAIL
A3.5 SCALE: 3/4" = 1'-0"

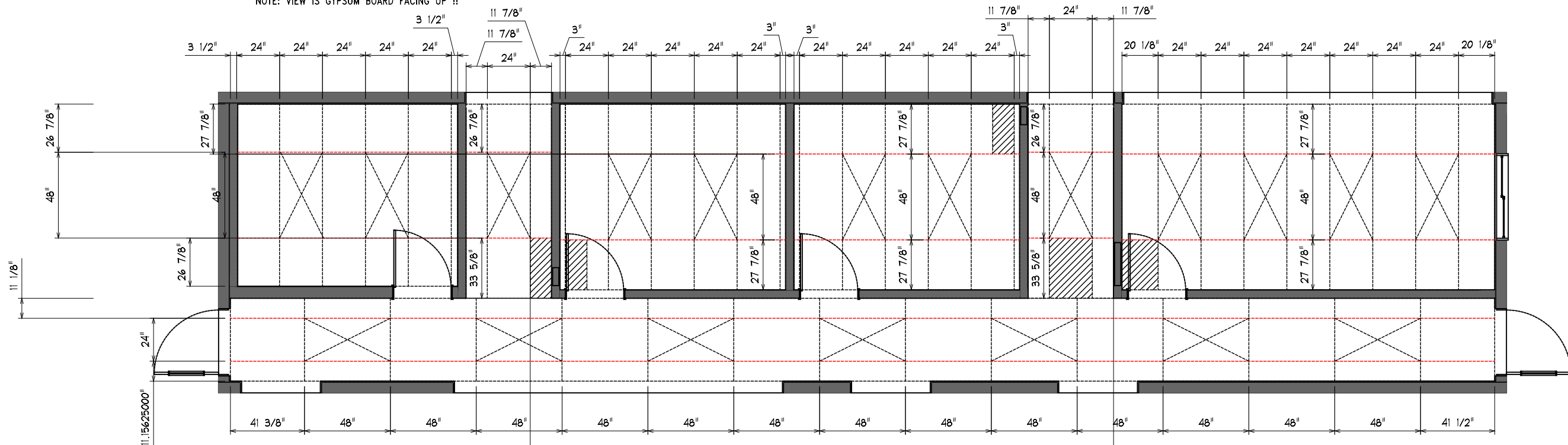
- ROOF CONSTRUCTION:
- "BLACK" .045 EPDM (RUBBER)
 - 19/32" T&G OSB PLYWOOD
 - 2X12 SLEEPER JOIST SPF NO. 1/NO. 2 @24" O.C.
 - 3/8" OSB PLYWOOD
 - 2X12 SPF NO. 1/NO. 2 @16" O.C.
 - R40 (R20 + R20) FIBERGLASS BATT INSULATION
 - 6 MIL POLY VAPOUR BARRIER
 - 3/8" FIR PLYWOOD
 - 5/8" BARE TYPE "X" GYPSUM BOARD

ROOF FRAMING SCHEDULE			
ROOFING TYPE	.045 EPDM (RUBBER)	CROWNED/SLOPED	SLEEPER JOIST: CROWNED (END TO END) ROOF JOIST: NO SLOPE
ROOFING COLOUR	BLACK	INSULATION	R40 FIBREGLAS BATT (R20+R20)
SLEEPER DECK	19/32" T&G O.S.B. PLYWOOD	VAPOUR BARRIER	6 MIL POLY
SLEEPER JOISTS	2x12 SPF NO. 1/NO. 2 @24" O.C.	SHEATHING	3/8" FIR PLYWOOD
ROOF DECK	3/8" O.S.B. PLYWOOD	CEILING	5/8" BARE TYPE "X" GYPSUM BOARD
ROOF JOISTS	2x12 SPF NO. 1/NO. 2 @16" O.C.	CEILING FINISH	SUSPENDED CEILING (9'-0 1/4" FROM FIN. FLR.)

NOTES
[1] THE ROOF LIFTING WEIGHT IS A GUIDE FOR AFS MANUFACTURING ONLY.
[2] ROOF LIFTING WEIGHT CONSISTS OF CEILING FINISH, SHEATHING, ROOF JOIST & A 5% SAFETY FACTOR.



1 CEILING PLAN
A3.6 SCALE: 3/16" = 1'-0"
NOTE: VIEW IS GYPSUM BOARD FACING UP !!



1 CEILING PLAN
A3.6 SCALE: 3/16" = 1'-0"
NOTE: VIEW IS GYPSUM BOARD FACING UP !!

CEILING HEIGHT: 10'-0 1/4"
FINISHED T-BAR HEIGHT: 9'-0"
T-BAR GRID TO BE INSTALLED IN MANUFACTURING PLANT, TILES INSTALLED ON SITE.

- = 2' x 4' DROP-IN FLOURESCENT LIGHT (19 QTY.)
- = DROP-IN RETURN-AIR GRATE

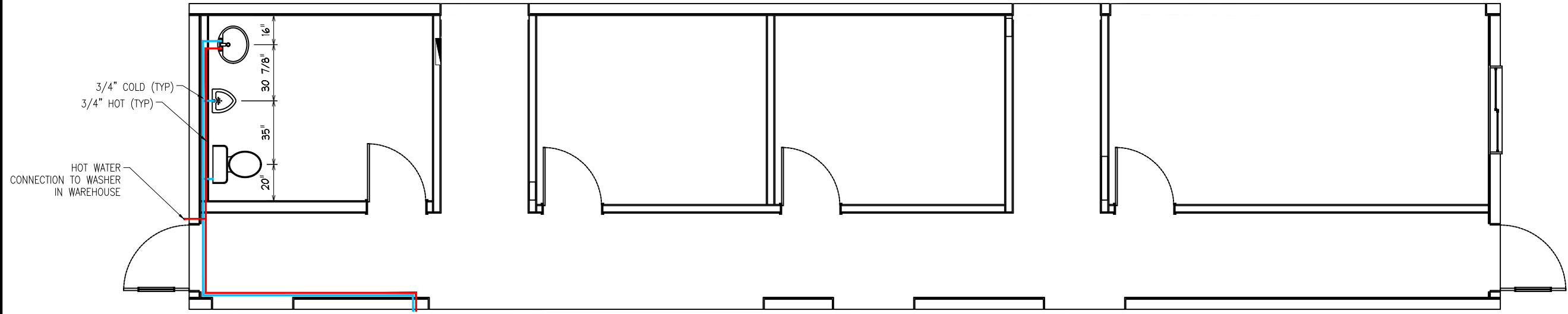
FINISHING SCHEDULE				NOTES
CERAMALITE	**WHITE FRP ON MOP SINK & URINAL WALL ONLY**	DOOR TRIM	SEE COLOUR CHART	[1] MECH./FURNACE ROOM TO BE C/W 1 1/2" X 1 1/2" 'BONE WHITE' METAL MOLDINGS.
BASEBOARD	SEE COLOUR CHART	WINDOW TRIM	SEE COLOUR CHART	[2] ALL PENETRATIONS THROUGH MECH./FURNACE WALLS TO BE FIRE CAULKED.
SHEET TO SHEET	V.C. BATTEN (SEE NOTE #3)	APPLIANCES	SHIP FIXED IN PLACE	[3] BATTENS TO MATCH THE WALL VINYL.
WALL TO WALL	V.C. BATTEN (SEE NOTE #3)	PACKING MATERIAL	SEE PARTS LIST	
WALL TO CEILING	V.C. BATTEN (SEE NOTE #3)	MISC.	-	

STAMP:

CEILING PLAN

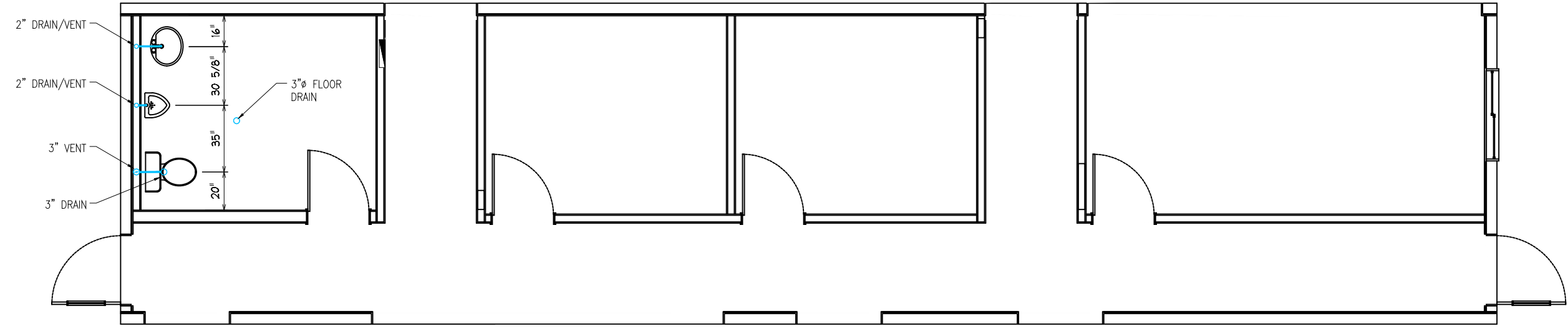
PROJECT: PROGRESS ENERGY LTD.
4-UNIT (S) OFFICE COMPLEX

PLAN: SHEET NO.: A3.6

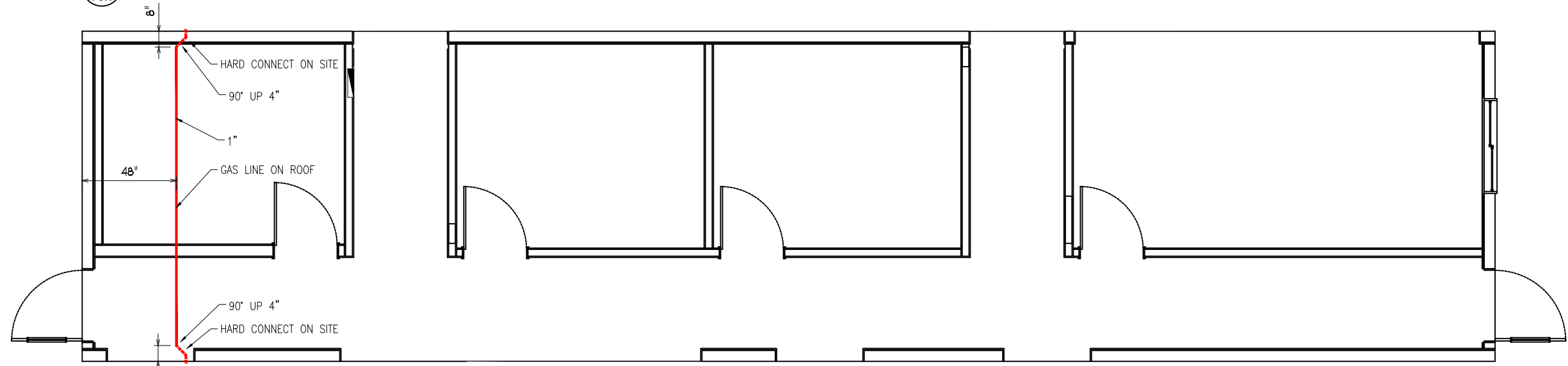


1 WATER LINE PLAN
P3.1 SCALE: 3/16" = 1'-0"

NOTE: ALL DRAINS TO STUB DOWN TO UNDERSIDE OF UNIT FOR FINAL SITE INSTALL HOOK-UP.



2 SEWER LINE PLAN
P3.1 SCALE: 3/16" = 1'-0"

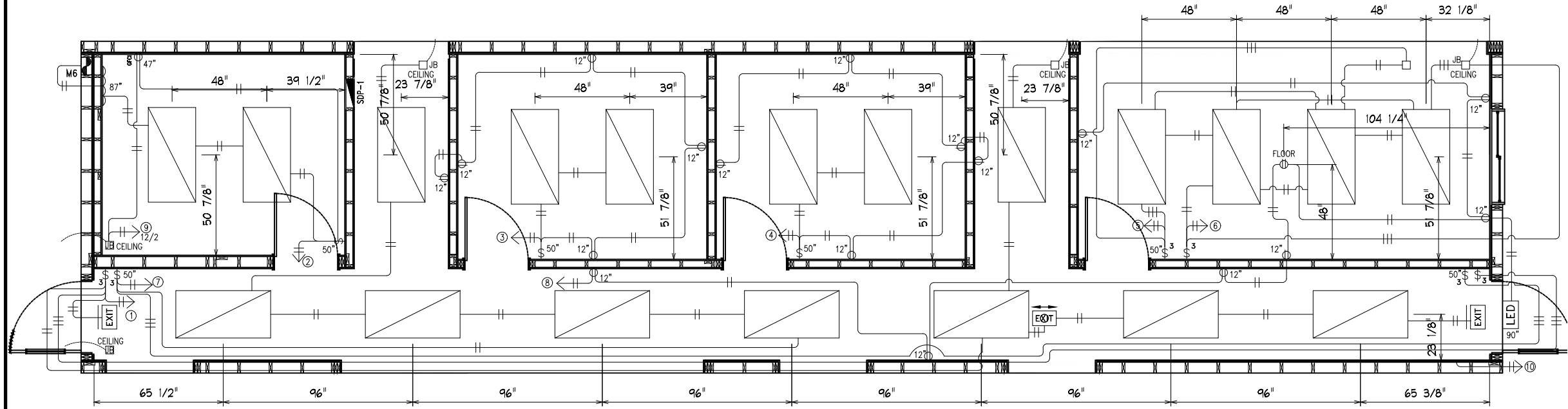


3 GAS LINE PLAN
P3.1 SCALE: 3/16" = 1'-0"

STAMP:

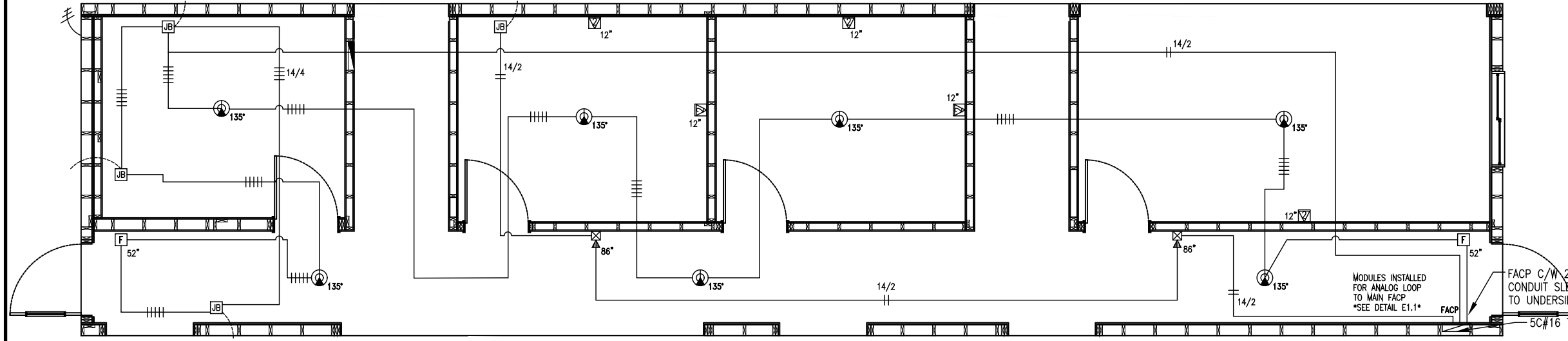
PLAN: WATER_SEWER_GAS PLAN
PROJECT: PROGRESS ENERGY LTD.
4-UNIT (S) OFFICE COMPLEX

SHEET NO.:
P3.1



1 HIGH VOLTAGE PLAN
E3.1 SCALE: 3/16" = 1'-0"

PANEL DIRECTORY					
5	15A	1 RED	2	1	15A
6	15A	-	7	7	15A
2	15A	3 BLK	4	8	15A
9	20A	-	10	10	15A
3	15A	5 RED	6	-	-
4	15A	7 BLK	8	-	-
SPARE	15A	-	9	9	RED
			10	-	-
			11	11	BLK
			12	-	-
			13	13	RED
			14	-	-
			15	15	BLK
			16	-	-
			17	17	RED
			18	-	-
			19	19	BLK
			20	-	-



2 LOW VOLTAGE PLAN
E3.1 SCALE: 3/16" = 1'-0"

ELECTRICAL SPECIFICATION	
PANEL BRAND	CUTLER HAMMER
SWITCH/RECEPTACLE	-
PANEL MOUNTING	SURFACED
MAXIMUM FEED AMPS	100A
VOLTS	120/240V
PHASE	SINGLE
MAIN BREAKER	-
NUMBER OF CIRCUITS	20/40 CCT
PANEL TYPE	NON-COMB
PANEL DIMENSIONS	-
NOTES	

HIGH VOLTAGE SYMBOL SCHEDULE			
LEGEND	QTY.	DESCRIPTION	
Ⓜ	18	TR RECEPTACLE "DECORA" DUPLEX	
Ⓜ	-	EXTERIOR RECEPTACLE "DECORA" [GFCI] WR/TR W/ IN-USE COVER	
Ⓜ	1	INTERIOR RECEPTACLE "DECORA" [GFCI-TR 15A] (5-15R)	
Ⓜ	-	GFI DECORA DEAD FRONT (120V)	
Ⓜ	-	RECEPTACLE P-TAC 20A, 208V "6-20R" (SEE NOTE #1)	
Ⓜ	-	RECEPTACLE DRYER 30A, 120/240V "14-30R"	
Ⓜ	-	RECEPTACLE "DECORA" DUPLEX [W/ 2 USB CHARGING PORTS]	
Ⓜ	4	SWITCH "DECORA" [1-POLE]	
Ⓜ	2	SWITCH "DECORA" [3-WAY]	
LEGEND	QTY.	DESCRIPTION	
Ⓜ	-	2 HEAD EMERGENCY LIGHT WALL MOUNT/BATTERY BACKUP[LUMACELL/RGC442M9W]	
Ⓜ	-	ALARM SMOKE/CO COMBO "BRK" [SC9120BA]	
Ⓜ	1	EXHAUST FAN (100 CFM)	
Ⓜ	-	WALL MOUNTED HEATER 2000W 208V "OUELLET" OVS2008	
Ⓜ	-	THERMOSTAT INSTALLED ON UNIT "OUELLET" OVS-TB2	
Ⓜ	1	8X10 HINGED WP PVC BOX W/SCREW FASTNERS "HAMMOND" [PJ1084RH]	
Ⓜ	-	REVERSE ACTION THERMOSTAT "JOHNSON CONTROLS" T26	
Ⓜ	4	JUNCTION BOX	
Ⓜ	1	SUB-DISTRIBUTION PANEL: SEE ELECTRICAL SPECIFICATIONS	

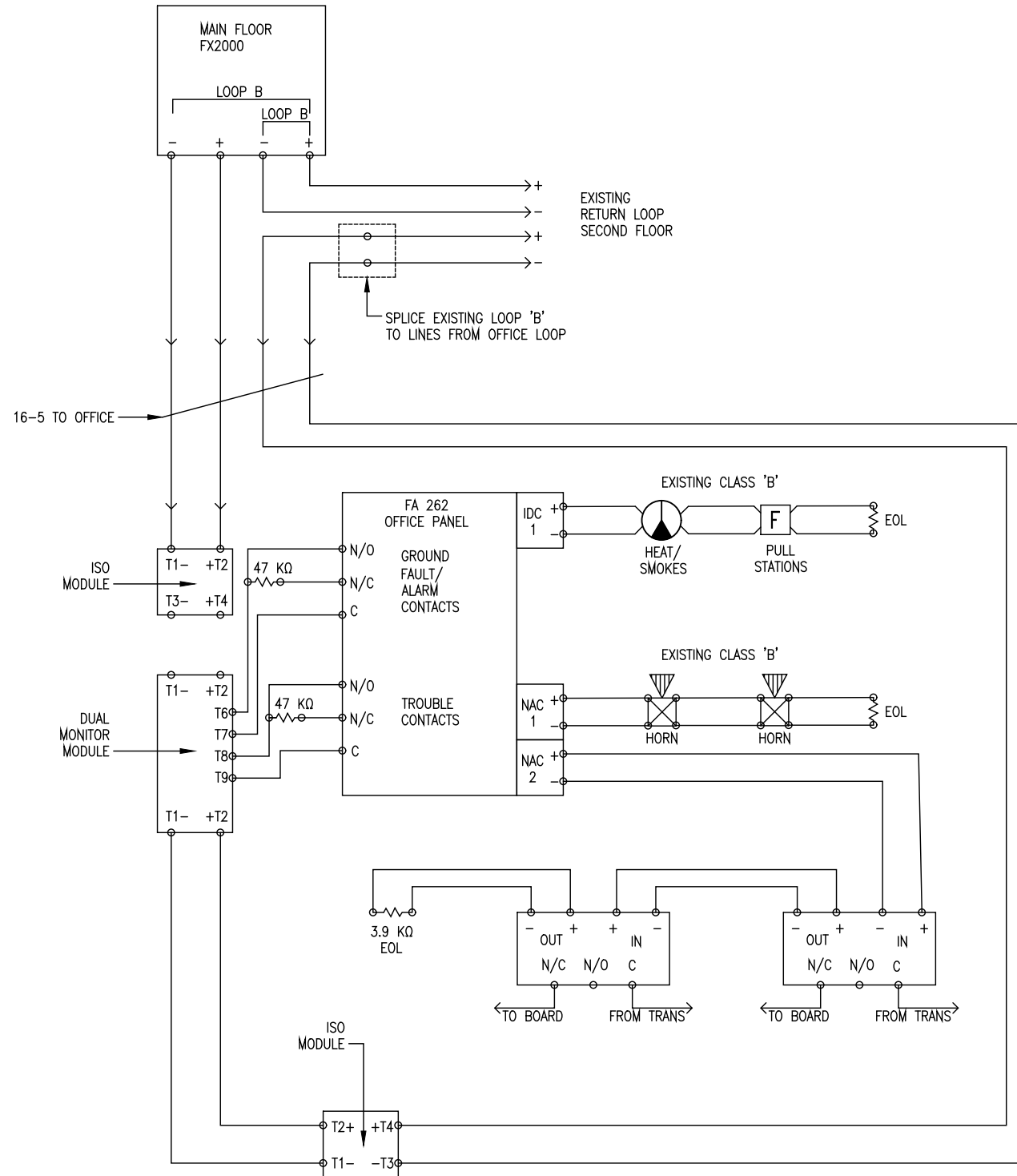
LOW VOLTAGE SYMBOL SCHEDULE			
LEGEND	QTY.	DESCRIPTION	
Ⓜ	-	SILENCEABLE MINI-HORN [MH-S25]	
Ⓜ	2	HORN AND STROBE "EATON" [HSRC] ROOF MOUNTED *SHP LOOSE	
Ⓜ	2	MANUAL PULL STATION "MIRCOM" [MS 401]	
Ⓜ	-	THERMOSTAT [HEAT/COOL] [LOW VOLTAGE] "WHITE RODGERS" [1C26]	
Ⓜ	-	"END OF LINE" RESISTOR 3.9K (DC) [MP 300]	
Ⓜ	-	COAX OUTLET	
Ⓜ	-	FIRE ALARM INTERCONNECT PLATE RED TWO GANG PLATE FOR CORDS & RECEPTACLES	
Ⓜ	-	COAX INTERCONNECT (COAX PLATE INSTALLED)	
Ⓜ	-	CABLE SPLITTER BOX C/W 8WAY SPLITTER	
LEGEND	QTY.	DESCRIPTION	
Ⓜ	-	COMBUSTION DETECTOR	
Ⓜ	-	COMBUSTION DETECTOR W/ REMOTE LED	
Ⓜ	-	COMBUSTION DUCT DETECTOR W/ REMOTE LED	
Ⓜ	9	24 VOLT, HEAT DETECTOR 135 DEGREE RATE OF RISE	
Ⓜ	-	24 VOLT, HEAT DETECTOR 200 DEGREE FIXED TEMPERATURE	
Ⓜ	-	"END OF LINE" 47K RESISTOR "MIRCOM" (MP-300)	
Ⓜ	5	NETWORK JACK	

[1] FIRE ALARM COLOUR POLARITY: RED=POSITIVE(+), BLACK=NEGATIVE(-), BLUE=POSITIVE(+), BROWN=NEGATIVE(-)
[2] FIRE ALARM INTERCONNECTS ARE 2 GANG DEEP
[3] DATA/COAX OUTLET TO BE C/W 2 QTY. 3/4" CONDUIT RUN UP INTO T-BAR SPACE

[1] FIRE ALARM COLOUR POLARITY: RED=POSITIVE(+), BLACK=NEGATIVE(-), BLUE=POSITIVE(+), BROWN=NEGATIVE(-)
[2] FIRE ALARM INTERCONNECTS ARE 2 GANG DEEP
[3] DATA/COAX OUTLET TO BE C/W 2 QTY. 3/4" CONDUIT RUN UP INTO T-BAR SPACE

STAMP:

ELECTRICAL PLAN
PROJECT:
PROGRESS ENERGY LTD.
4-UNIT (S) OFFICE COMPLEX



OFFICE FIRE ALARM HOOK-UP TO MAIN MODULE CONNECTIONS

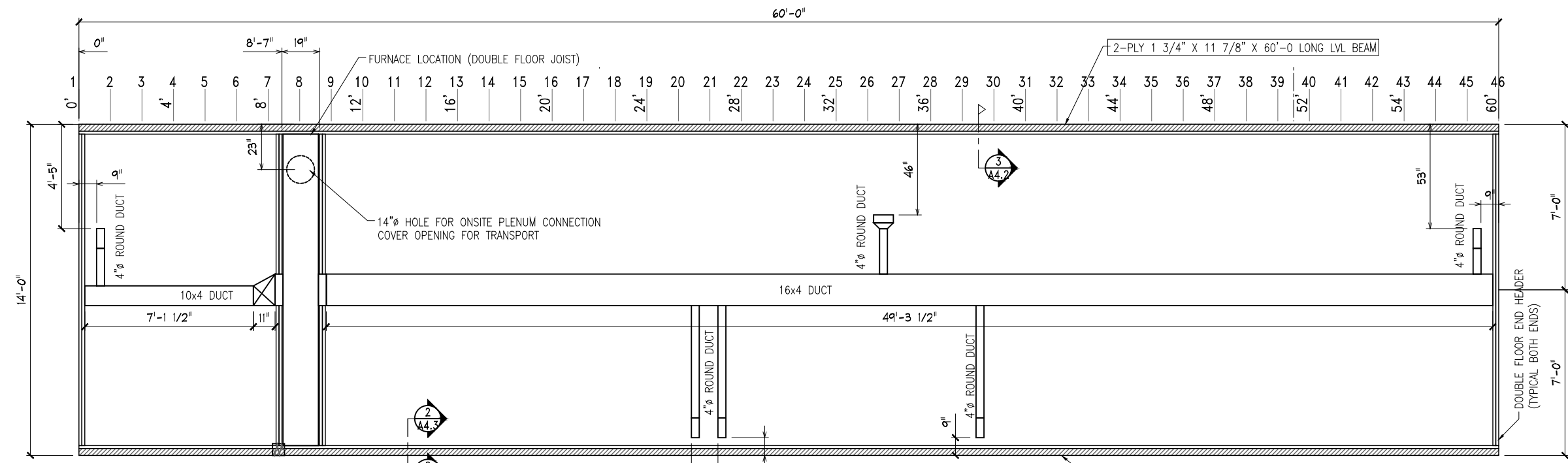
STAMP:

PLAN: FA HOOH UP DETAIL

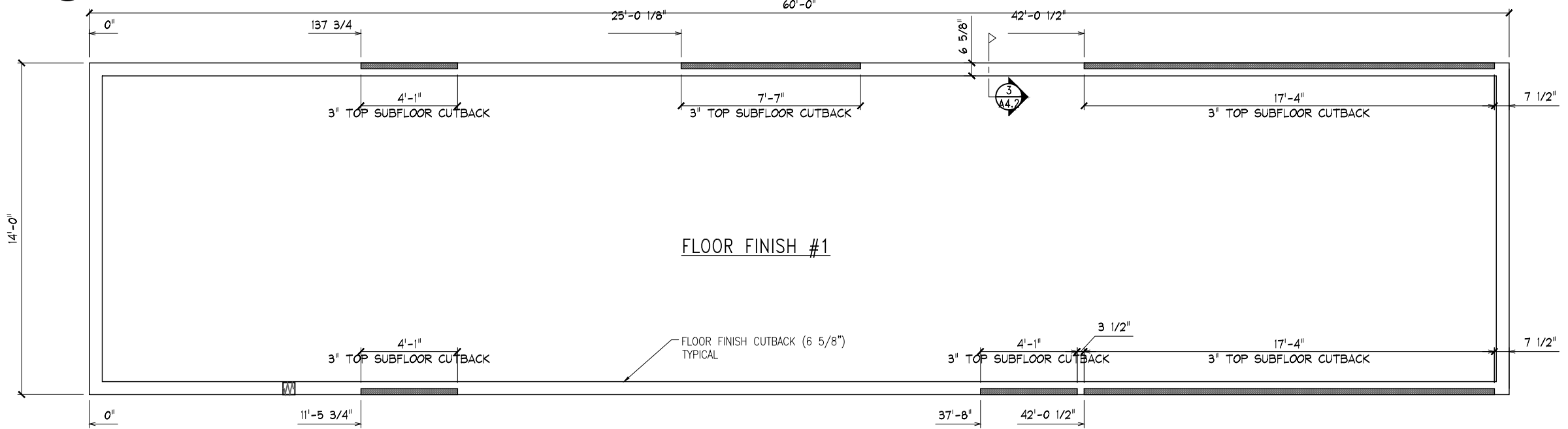
PROJECT: PROGRESS ENERGY LTD.
4-UNIT (S) OFFICE COMPLEX

SHEET NO.:

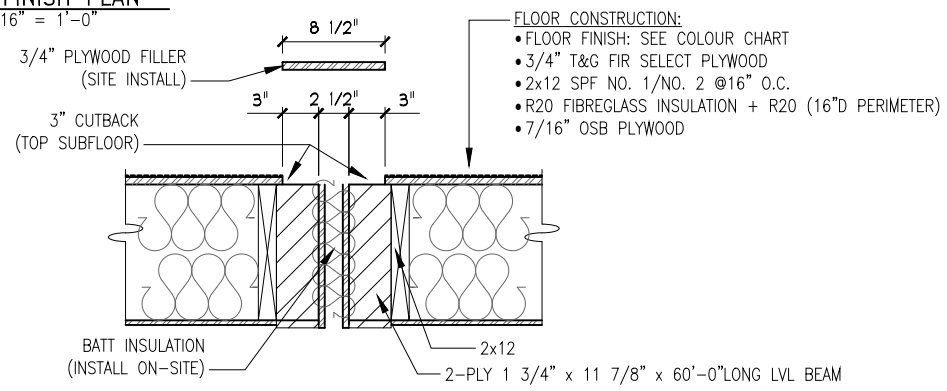
E3.2



1 FLOOR FRAMING PLAN
SCALE: 3/16" = 1'-0"



2 FLOOR FINISH PLAN
SCALE: 3/16" = 1'-0"



3 FLOOR INTERCONNECT DETAIL
SCALE: 3/4" = 1'-0"

NOTE: ALL CONSTRUCTIONS ARE SHOP INSTALL EXCEPT AS NOTED

- FLOOR CONSTRUCTION:
- FLOOR FINISH: SEE COLOUR CHART
 - 3/4" T&G FIR SELECT PLYWOOD
 - 2x12 SPF NO. 1/NO. 2 @16" O.C.
 - R20 FIBREGLASS INSULATION + R20 (16"D PERIMETER)
 - 7/16" OSB PLYWOOD

FLOOR FRAMING SCHEDULE			
UNDERSIDE	BLACK (STAIN LATEX PAINT #01 107)	INSULATION	R20 FIBREGLASS BATT (SEE NOTE #1)
SHEATHING	7/16" O.S.B. PLYWOOD	SUBFLOOR-BOTTOM	N/A
JOISTS	2x12 SPF NO. 1/NO. 2 @16" O.C.	SUBFLOOR-TOP	3/4" T&G FIR PREMIUM SELECT PLYWOOD
JOIST HANGER	YES	UNDERBELLY	N/A

NOTES

- [1] TO BE R20 + 16"D R20 AROUND THE PERIMETER OF EACH UNIT. [2] SEE COLOUR CHART FOR FLOOR FINISH COLOURS.
- [3] FLOOR REGISTERS THAT ARE 12" OR MORE AWAY FROM THE EXTERIOR WALL TO BE C/W BLOCKING.
- [4] EVERY NOTCHED FLOOR JOIST TO BE C/W 5/8" PLYWOOD REINFORCEMENT ON ONE SIDE (SIDE CLOSEST TO FURNACE).
- [5] METAL JOIST HANGERS TO BE: (SINGLE JOIST) "SIMPSON STRONG TIE" [LUS210L] & (DOUBLE JOISTS) "SIMPSON STRONG TIE" [LUS210-2L].

STAMP:

FLOOR FRAMING PLAN

PROJECT:

PROGRESS ENERGY LTD.
4-UNIT (S) OFFICE COMPLEX

PLAN:

SHEET NO.:

A4.2

CAD FILE:

A4.0 - OC3

DATE:

JUL. 9, 2016

SCALE:

AS SHOWN

DRAWN BY:

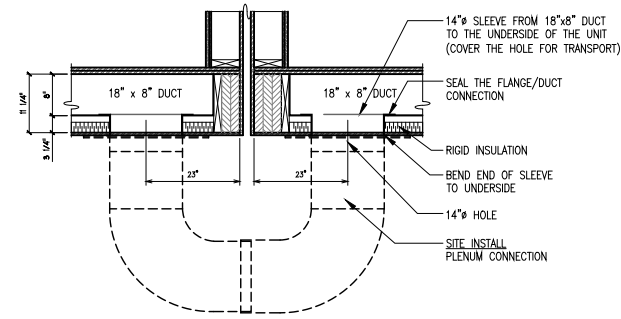
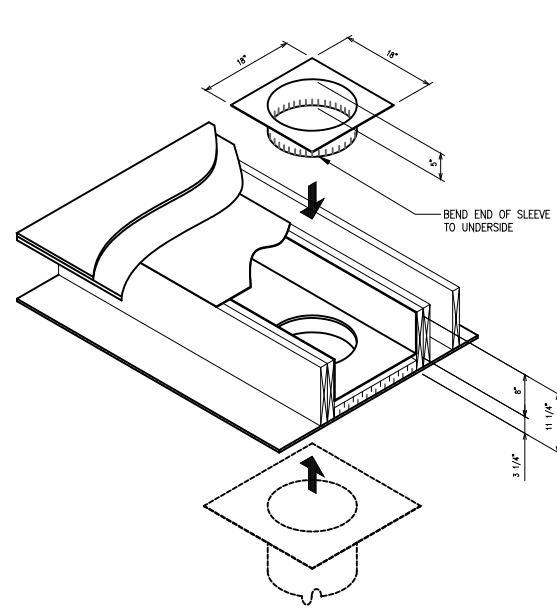
KC

CHECKED BY:

--

APPROVED BY:

KC



3 PLENUM CONNECTION DETAIL
A4.2a SCALE: #####

STAMP:

PLAN: PLENUM CONNECTION DETAIL [

PROJECT: PROGRESS ENERGY LTD.
4-UNIT (S) OFFICE COMPLEX

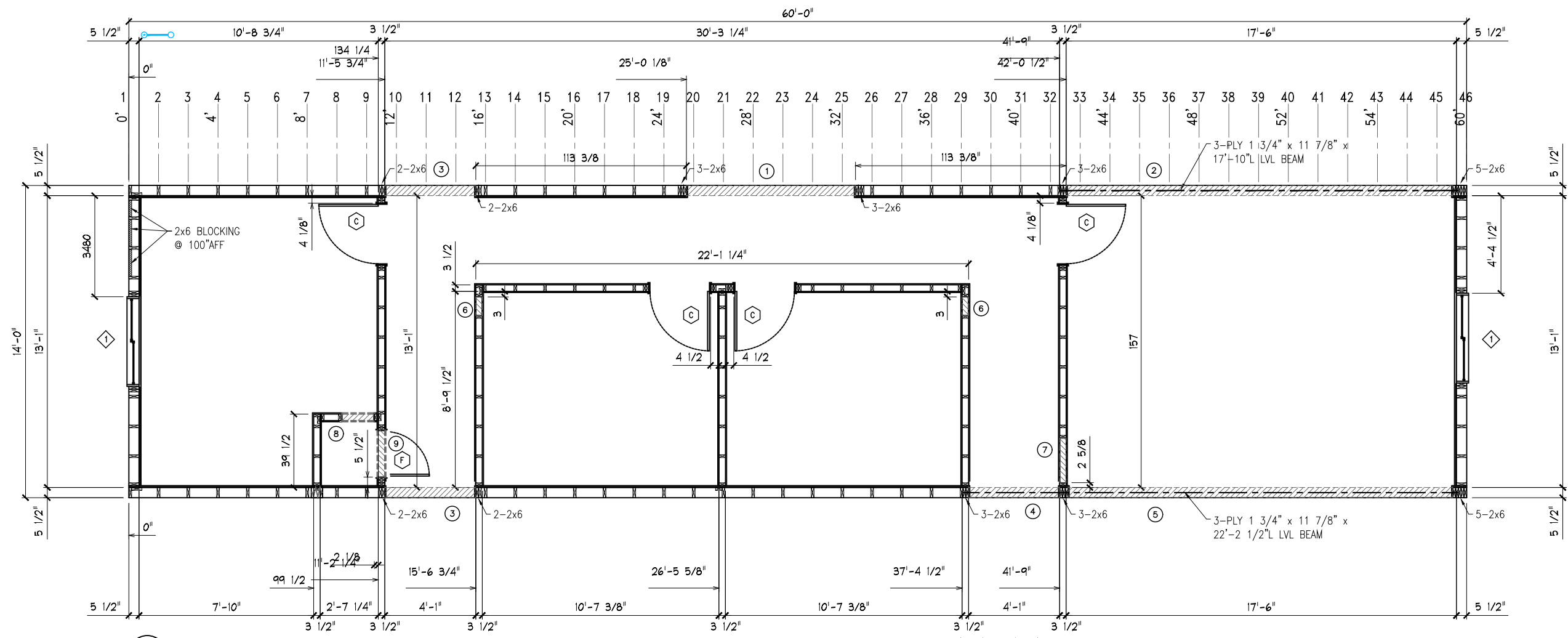
SHEET NO.:

A4.2a

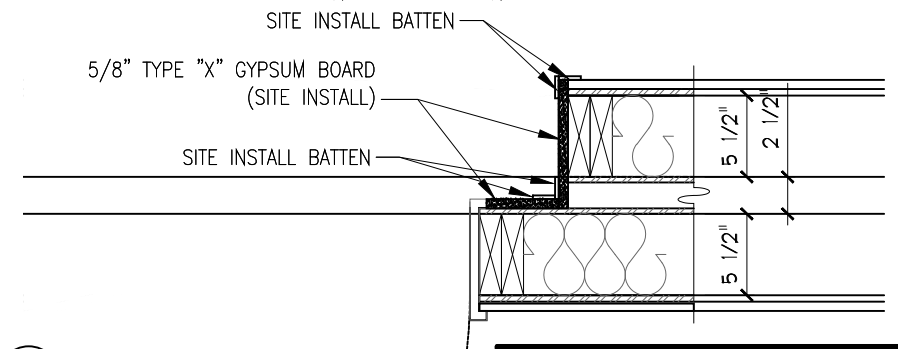
STAMP:

PLAN:
PROJECT:
WALL FRAMING PLAN
PROGRESS ENERGY LTD.
4-UNIT (S) OFFICE COMPLEX

SHEET NO.:
A4.3



1 WALL FRAMING PLAN
A4.3 SCALE: 3/16" = 1'-0"

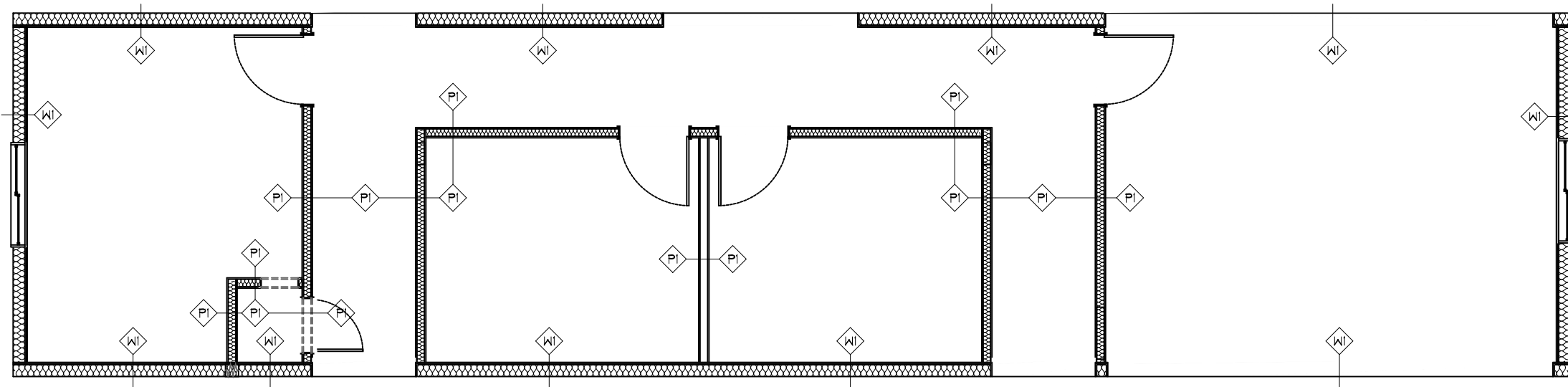


2 INTERIOR DOOR CONNECTION DETAIL
A4.3 SCALE: #####

MISC. ROUGH OPENING SCHEDULE					
ITEM #	QUANTITY		SILL HEIGHT	TYPE	DESCRIPTION
①	1	91"W x 87"H	HEADER @ 33 1/4" DOWN	OPENING	C/W 3-2x10 LINTEL
②	1	208"W x 102"H	HEADER @ 18 1/4" DOWN	OPENING	C/W LVL BEAM (SEE PLAN)
③	2	49"W x 102"H	HEADER @ 18 1/4" DOWN	OPENING	C/W 3-2x8 LINTEL
④	1	49"W x 102"H	HEADER @ 18 1/4" DOWN	OPENING	C/W LVL BEAM (SEE PLAN)
⑤	1	210"W x 102"H	HEADER @ 18 1/4" DOWN	OPENING	C/W LVL BEAM (SEE PLAN)
⑥	2	10"W x 8"H	HEADER @ 1 1/2" DOWN	R/A OPENING	-
⑦	1	24"W x 8"H	HEADER @ 1 1/2" DOWN	R/A OPENING	-
⑧	1	17 3/4"W x 9 3/4"H	HEADER @ 1 1/2" DOWN	R/A OPENING	LINE OPENING W/ 5/8" TYPE 'X' GYP. BD.
⑨	1	25 3/4"W x 9 3/4"H	HEADER @ 1 1/2" DOWN	R/A OPENING	LINE OPENING W/ 5/8" TYPE 'X' GYP. BD.

WALL FRAMING NOTES

- [1] CEILING HEIGHT TO BE 10'-0 1/4"H. UNLESS NOTED. [2] ALL EXTERIOR WALLS TO BE C/W 2X6 JOISTS UNLESS NOTED.
- [3] ALL INTERIOR WALLS TO BE C/W 2X4 JOISTS UNLESS NOTED. [4] NO SCREWING RIBS ON THE EXTERIOR WALLS.
- [5] ALL JOIST SPACING TO BE 16" O.C. UNLESS NOTED. [6] SEE "OVERALL DOOR/WINDOW SCHEDULE" FOR COMPLETE INFORMATION.
- [7] ALL WALLS TO BE C/W DOUBLE TOP WALL PLATE.



1 WALL FINISH PLAN
A4.4 SCALE: 3/16" = 1'-0"

INSULATION LEGEND

FIBREGLASS BATTENS, R12 (2x4 WALL) & R20 (2x6 WALL)

WALL FINISH SCHEDULE

WALL	INTERIOR SHEATHING	VAPOUR BARRIER	FINISH	EXTERIOR SHEATHING	EXTERIOR BUILDING WRAP
WI	7/16" O.S.B.	6 MIL POLY	5/8" V.C. TYPE "X" GYPSUM BOARD [WALL FINISH #1]	7/16" O.S.B.	TYPAR OR EQUAL
WI2					
PI	N/A	N/A	5/8" V.C. TYPE "X" GYPSUM BOARD [WALL FINISH #1]	N/A	N/A
PI2					

NOTES

[1] SEE COLOUR SCHEDULE FOR SPECIFIC WALL FINISH.

STAMP:

PLAN: WALL FINISH PLAN

PROJECT: PROGRESS ENERGY LTD.
4-UNIT (S) OFFICE COMPLEX

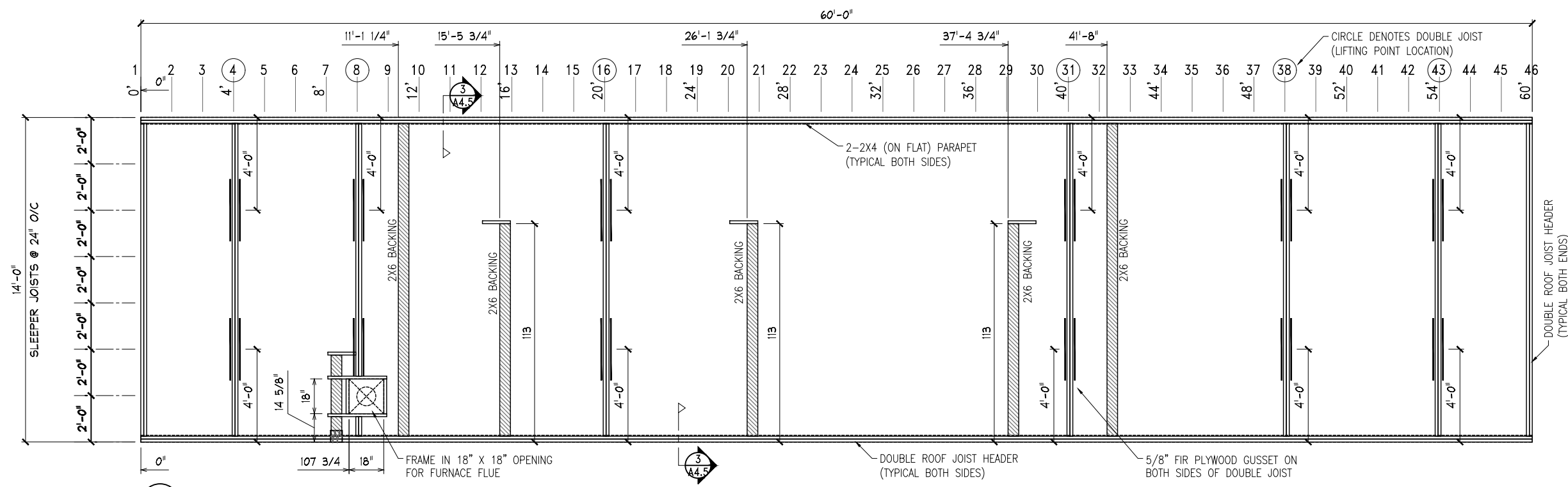
SHEET NO.:

A4.4

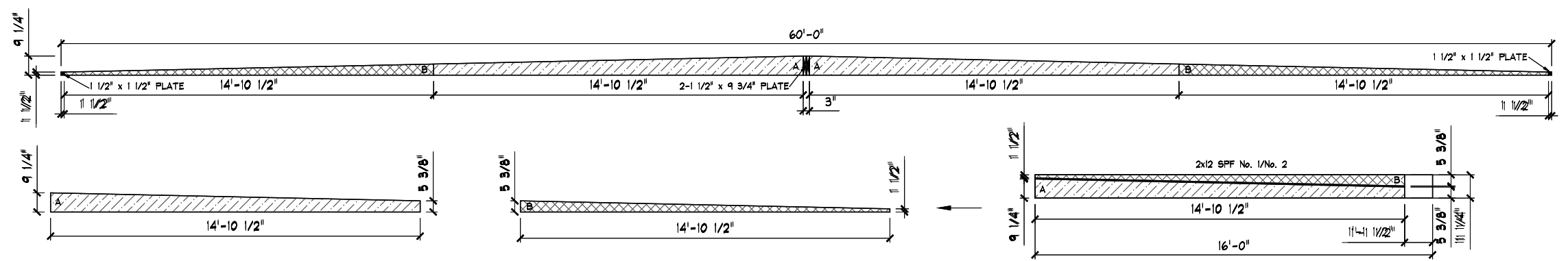
STAMP:

PLAN:
PROJECT:
ROOF FRAMING PLAN
PROGRESS ENERGY LTD.
4-UNIT (S) OFFICE COMPLEX

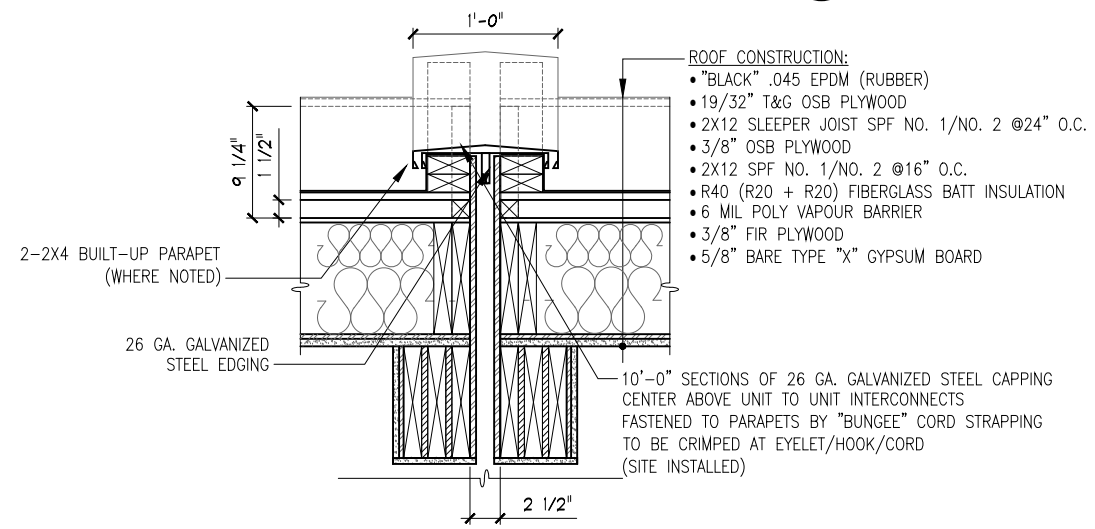
SHEET NO.:
A4.5



1 ROOF FRAMING PLAN
A4.5 SCALE: 3/16" = 1'-0"



2 SLEEPER JOIST DETAIL
A4.5 SCALE: 3/16" = 1'-0"

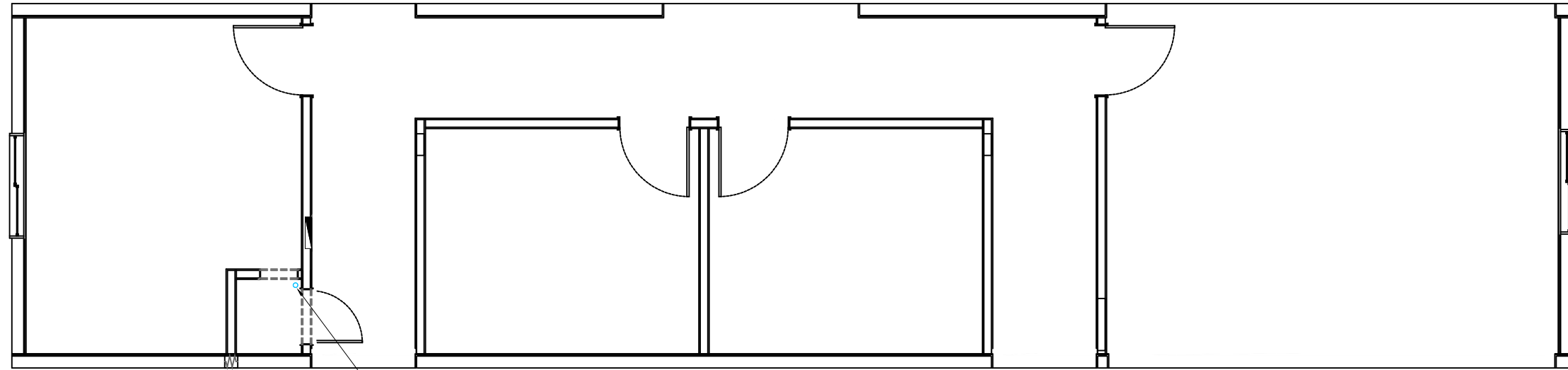


3 ROOF FRAMING DETAIL
A4.5 SCALE: 3/4" = 1'-0"

- ROOF CONSTRUCTION:
- "BLACK" .045 EPDM (RUBBER)
 - 19/32" T&G OSB PLYWOOD
 - 2X12 SLEEPER JOIST SPF NO. 1/NO. 2 @24" O.C.
 - 3/8" OSB PLYWOOD
 - 2X12 SPF NO. 1/NO. 2 @16" O.C.
 - R40 (R20 + R20) FIBERGLASS BATT INSULATION
 - 6 MIL POLY VAPOUR BARRIER
 - 3/8" FIR PLYWOOD
 - 5/8" BARE TYPE "X" GYPSUM BOARD

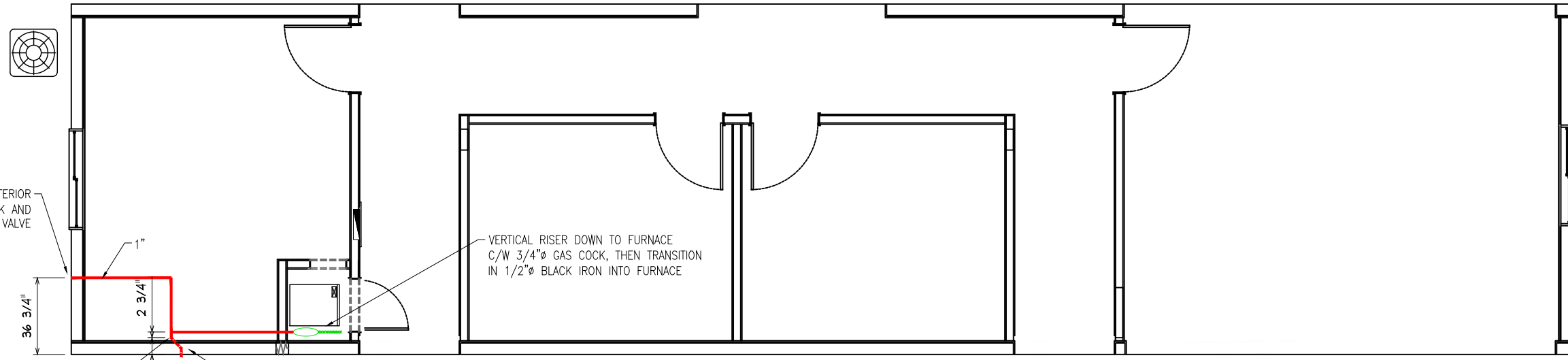
ROOF FRAMING SCHEDULE			
ROOFING TYPE	.045 EPDM (RUBBER)	CROWNED/SLOPED	SLEEPER JOIST: CROWNED (END TO END) ROOF JOIST: NO SLOPE
ROOFING COLOUR	BLACK	INSULATION	R40 FIBREGLAS BATT (R20+R20)
SLEEPER DECK	19/32" T&G O.S.B. PLYWOOD	VAPOUR BARRIER	6 MIL POLY
SLEEPER JOISTS	2x12 SPF NO. 1/NO. 2 @24" O.C.	SHEATHING	3/8" FIR PLYWOOD
ROOF DECK	3/8" O.S.B. PLYWOOD	CEILING	5/8" BARE TYPE "X" GYPSUM BOARD
ROOF JOISTS	2x12 SPF NO. 1/NO. 2 @16" O.C.	CEILING FINISH	SUSPENDED CEILING (9'-0 1/4" FROM FIN. FLR.)

NOTES
[1] THE ROOF LIFTING WEIGHT IS A GUIDE FOR AFS MANUFACTURING ONLY.
[2] ROOF LIFTING WEIGHT CONSISTS OF CEILING FINISH, SHEATHING, ROOF JOIST & A 5% SAFETY FACTOR.



1 SEWER LINE PLAN
P4.1 SCALE: 3/16" = 1'-0"

2" CONDENSATE DRAIN (FURNACE)



GAS LINE RUN DOWN EXTERIOR WALL C/W 1" GAS COCK AND SHUT OFF VALVE

36 3/4"
2 3/4"
1"
90° UP 4"
8"

VERTICAL RISER DOWN TO FURNACE C/W 3/4" GAS COCK, THEN TRANSITION IN 1/2" BLACK IRON INTO FURNACE

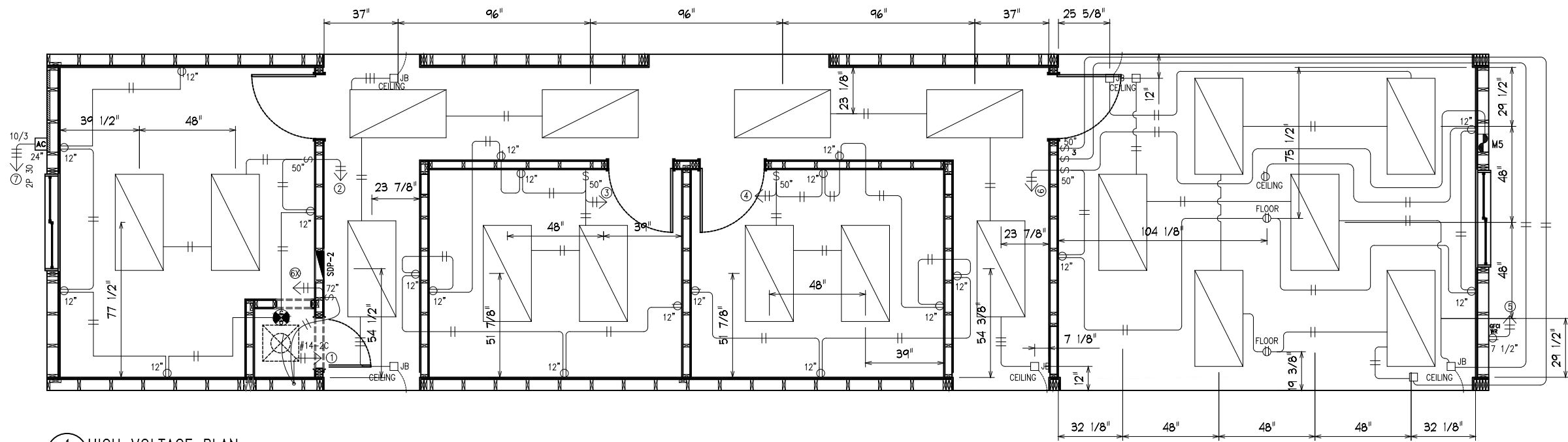
HARD CONNECT ON SITE

1 GAS LINE PLAN
P4.1 SCALE: 3/16" = 1'-0"

STAMP:

PLAN: SEWER_GAS LINE PLAN
PROJECT: PROGRESS ENERGY LTD.
4-UNIT (S) OFFICE COMPLEX

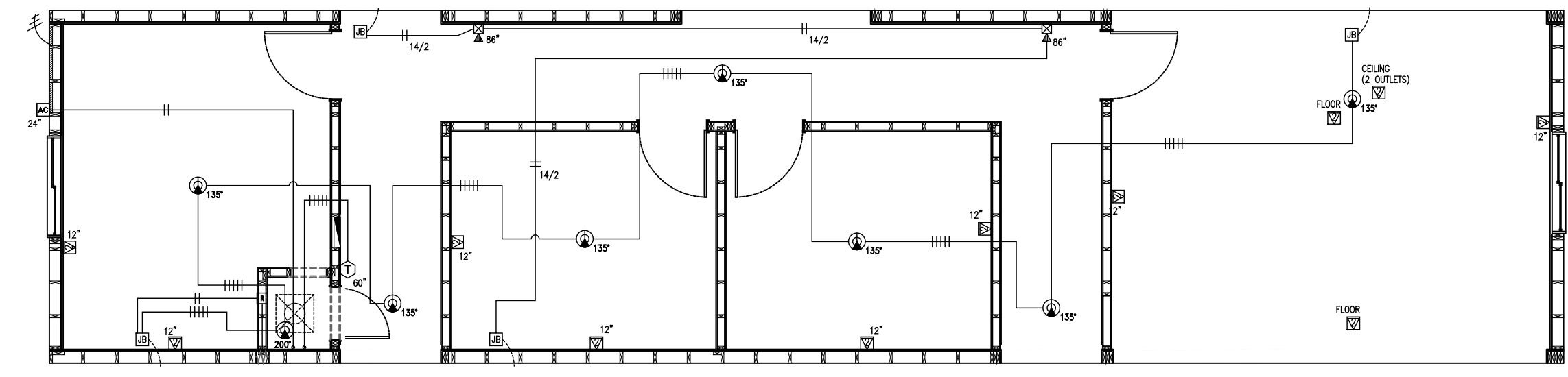
SHEET NO.: P4.1



1 HIGH VOLTAGE PLAN
E4.1 SCALE: 3/16" = 1'-0"

PANEL DIRECTORY				
2	15A	1 RED 2	6X	15A
3	15A	-	7	30A
4	15A	3 BLK 4	7	30A
6	15A	-	5	15A
		5 RED 6		
		-		
		7 BLK 8		
		-		
		9 RED 10		
		-		
		11 BLK 12		
		-		
		13 RED 14		
		-		
		15 BLK 16		
		-		
		17 RED 18		
		-		
		19 BLK 20		

ELECTRICAL SPECIFICATION	
PANEL BRAND	CUTLER HAMMER
SWITCH/RECEPTACLE	-
PANEL MOUNTING	SURFACED
MAXIMUM FEED AMPS	100A
VOLTS	120/240V
PHASE	SINGLE
MAIN BREAKER	-
NUMBER OF CIRCUITS	20/40 CCT
PANEL TYPE	NON-COMB
PANEL DIMENSIONS	-
NOTES	



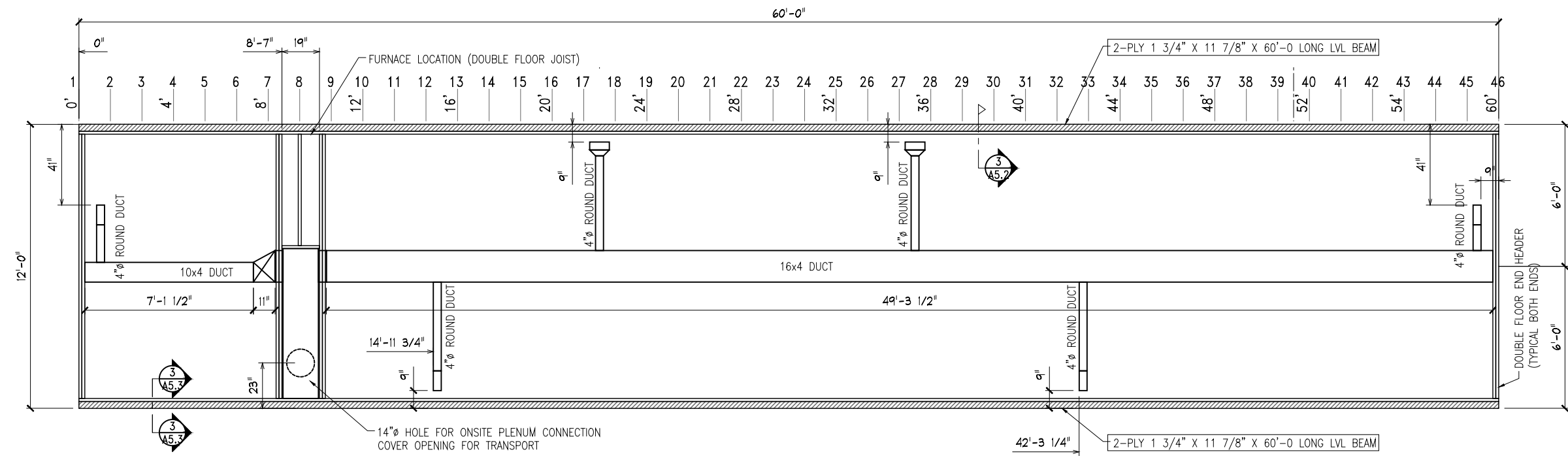
2 LOW VOLTAGE PLAN
E4.1 SCALE: 3/16" = 1'-0"

HIGH VOLTAGE SYMBOL SCHEDULE				LOW VOLTAGE SYMBOL SCHEDULE				
LEGEND	QTY.	DESCRIPTION	LEGEND	QTY.	DESCRIPTION	LEGEND	QTY.	DESCRIPTION
⊕	21	TR RECEPTACLE "DECORA" DUPLEX	⊕	-	2 HEAD EMERGENCY LIGHT WALL MOUNT/BATTERY BACKUP[LUMACELL/RGC442M19W]	⊕	-	SILENCEABLE MINI-HORN [MH-S25]
⊕	1	EXTERIOR RECEPTACLE "DECORA" [GFCI] WR/TR W/ IN-USE COVER	⊕	-	ALARM SMOKE/CO COMBO "BRK" [SC9120BA]	⊕	2	HORN AND STROBE "EATON" [HSRC] ROOF MOUNTED *SHIP LOOSE
⊕	-	INTERIOR RECEPTACLE "DECORA" [GFCI-TR 15A] (5-15R)	⊕	1	EXHAUST FAN (70 CFM)	⊕	-	MANUAL PULL STATION "MIRCOM" [MS 401]
⊕	-	GFI DECORA DEAD FRONT (120V)	⊕	-	WALL MOUNTED HEATER 2000W 208V "OUELLET" OVS2008	⊕	1	THERMOSTAT [HEAT/COOL] [LOW VOLTAGE] "WHITE RODGERS" [1C26]
⊕	-	RECEPTACLE P-TAC 20A, 208V "6-20R" (SEE NOTE #1)	⊕	-	THERMOSTAT INSTALLED ON UNIT "OUELLET" OVS-TB2	⊕	-	"END OF LINE" RESISTOR 3.9K (DC) [MP 300]
⊕	-	RECEPTACLE DRYER 30A, 120/240V "14-30R"	⊕	1	8X10 HINGED WP PVC BOX W/SCREW FASTENERS "HAMMOND" [PJ1084RH]	⊕	-	COAX OUTLET
⊕	-	RECEPTACLE "DECORA" DUPLEX [W/ 2 USB CHARGING PORTS]	⊕	-	REVERSE ACTION THERMOSTAT "JOHNSON CONTROLS" T26	⊕	-	FIRE ALARM INTERCONNECT PLATE RED TWO GANG PLATE FOR CORDS & RECEPTACLES
⊕	4	SWITCH "DECORA" [1-POLE]	⊕	6	JUNCTION BOX	⊕	-	COAX INTERCONNECT (COAX PLATE INSTALLED)
⊕	2	SWITCH "DECORA" [3-WAY]	⊕	1	SUB-DISTRIBUTION PANEL: SEE ELECTRICAL SPECIFICATIONS	⊕	-	CABLE SPLITTER BOX C/W 8WAY SPLITTER

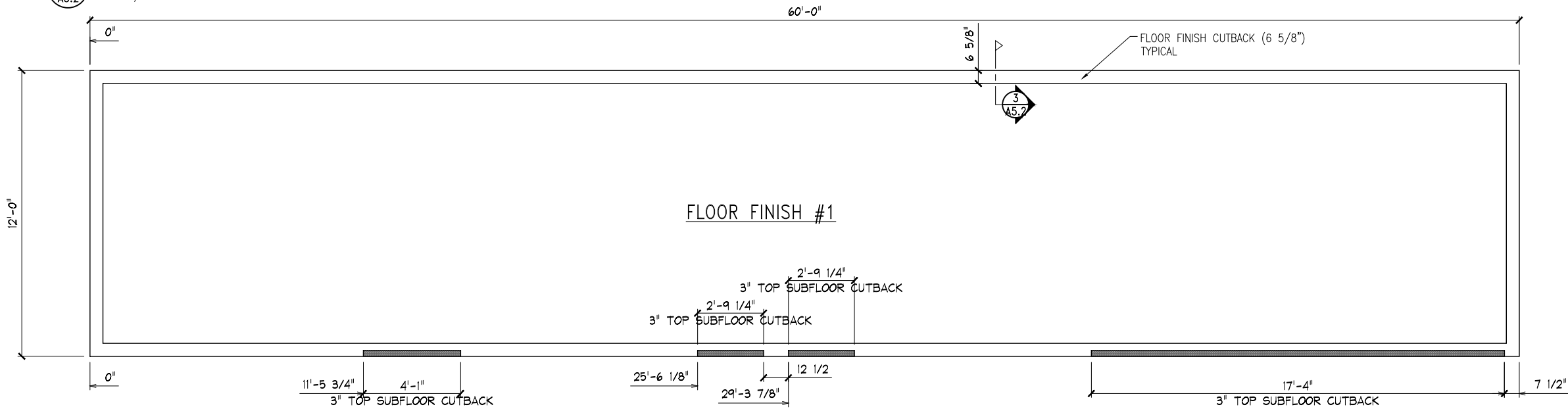
NOTES		NOTES	
[1]		[1]	FIRE ALARM COLOUR POLARITY: RED=POSITIVE(+), BLACK=NEGATIVE(-), BLUE=POSITIVE(+), BROWN=NEGATIVE(-)
[2]		[2]	FIRE ALARM INTERCONNECTS ARE 2 GANG DEEP
		[3]	DATA/COAX OUTLET TO BE C/W 2 QTY. 3/4" CONDUIT RUN UP INTO T-BAR SPACE

STAMP:

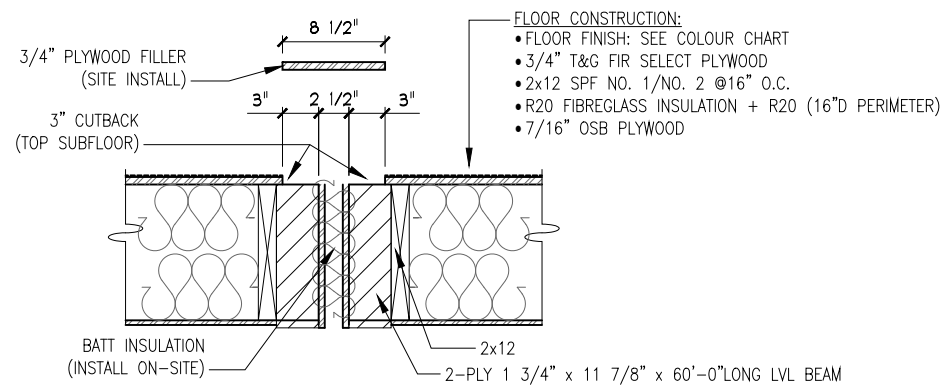
ELECTRICAL PLAN
PROJECT: PROGRESS ENERGY LTD.
4-UNIT (S) OFFICE COMPLEX
SHEET NO.: E4.1



1 FLOOR FRAMING PLAN
SCALE: 3/16" = 1'-0"



2 FLOOR FINISH PLAN
SCALE: 3/16" = 1'-0"



3 FLOOR INTERCONNECT DETAIL
SCALE: 3/4" = 1'-0"

NOTE: ALL CONSTRUCTIONS ARE SHOP INSTALL EXCEPT AS NOTED

- FLOOR CONSTRUCTION:
- FLOOR FINISH: SEE COLOUR CHART
 - 3/4" T&G FIR SELECT PLYWOOD
 - 2x12 SPF NO. 1/NO. 2 @16" O.C.
 - R20 FIBREGLASS INSULATION + R20 (16"D PERIMETER)
 - 7/16" OSB PLYWOOD

FLOOR FRAMING SCHEDULE			
UNDERSIDE	BLACK (STAIN LATEX PAINT #01 107)	INSULATION	R20 FIBREGLASS BATT (SEE NOTE #1)
SHEATHING	7/16" O.S.B. PLYWOOD	SUBFLOOR-BOTTOM	N/A
JOISTS	2x12 SPF NO. 1/NO. 2 @16" O.C.	SUBFLOOR-TOP	3/4" T&G FIR PREMIUM SELECT PLYWOOD
JOIST HANGER	YES	UNDERBELLY	N/A

NOTES

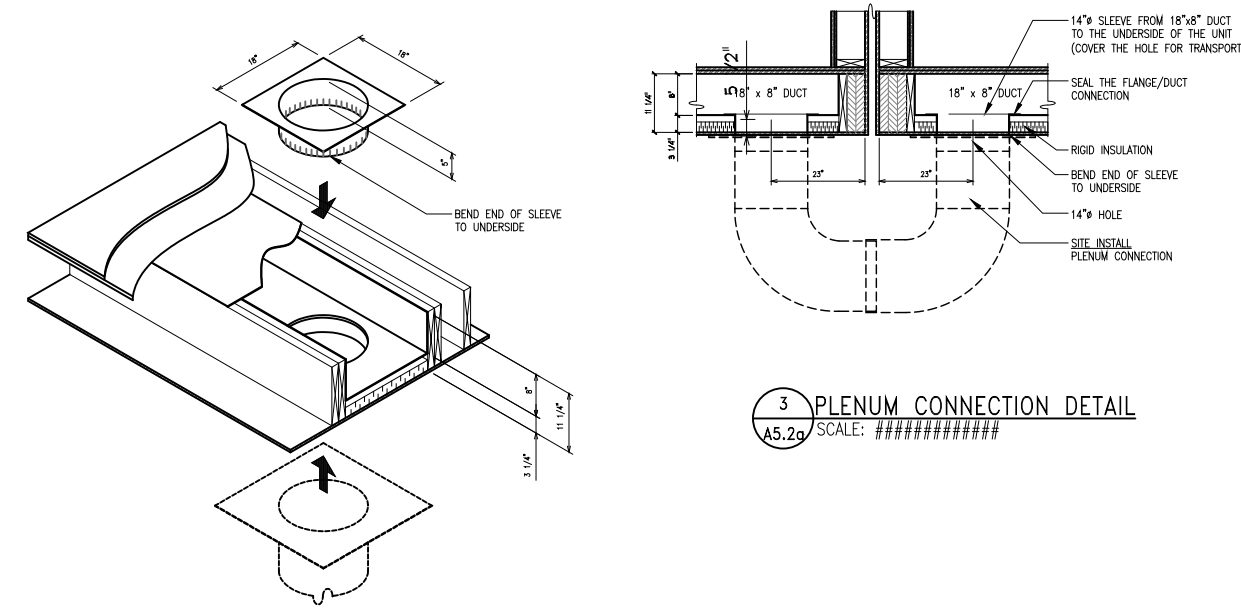
- [1] TO BE R20 + 16"D R20 AROUND THE PERIMETER OF EACH UNIT. [2] SEE COLOUR CHART FOR FLOOR FINISH COLOURS.
- [3] FLOOR REGISTERS THAT ARE 12" OR MORE AWAY FROM THE EXTERIOR WALL TO BE C/W BLOCKING.
- [4] EVERY NOTCHED FLOOR JOIST TO BE C/W 5/8" PLYWOOD REINFORCEMENT ON ONE SIDE (SIDE CLOSEST TO FURNACE).
- [5] METAL JOIST HANGERS TO BE: (SINGLE JOIST) "SIMPSON STRONG TIE" [LUS210L] & (DOUBLE JOISTS) "SIMPSON STRONG TIE" [LUS210-2L].

STAMP:

FLOOR FRAMING PLAN
PROJECT: PROGRESS ENERGY LTD.
4-UNIT (S) OFFICE COMPLEX

SHEET NO.:

A5.2



3 PLENUM CONNECTION DETAIL
A5.2a SCALE: #####

STAMP:

PLAN: PLENUM CONNECTION DETAIL [

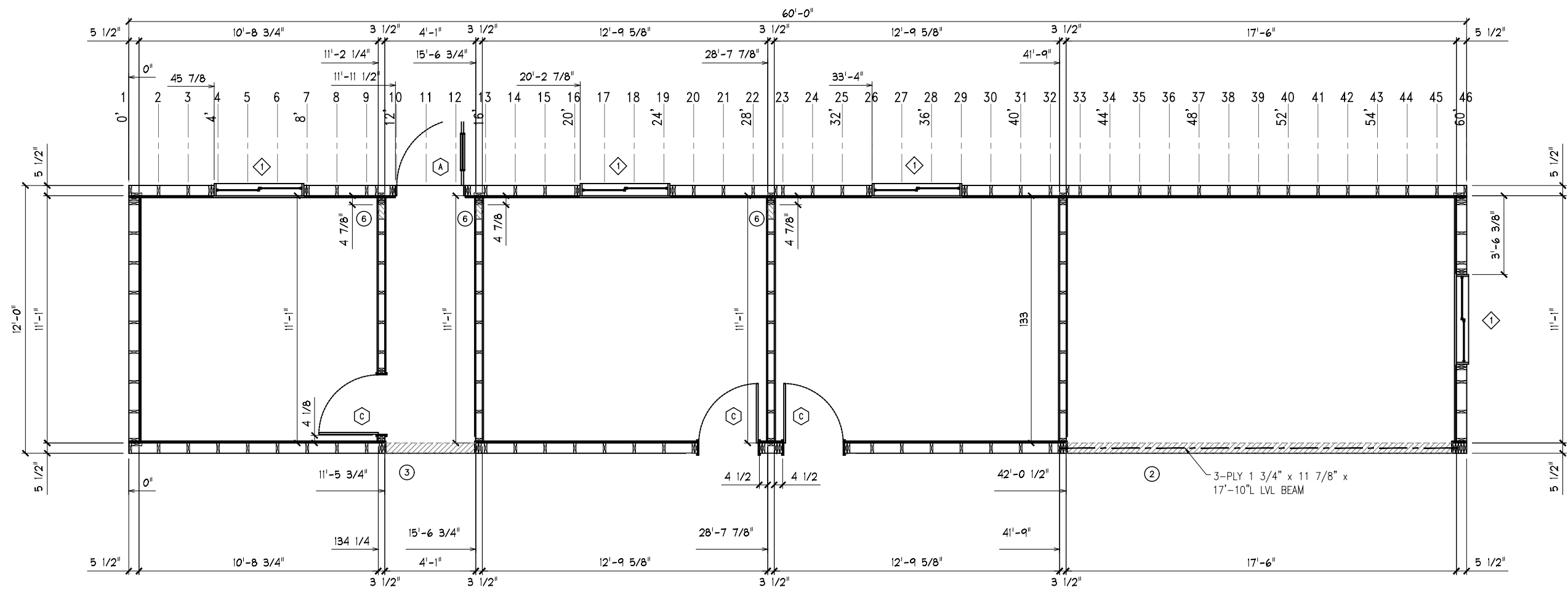
PROJECT: PROGRESS ENERGY LTD.
4-UNIT (S) OFFICE COMPLEX

SHEET NO.: A5.2a

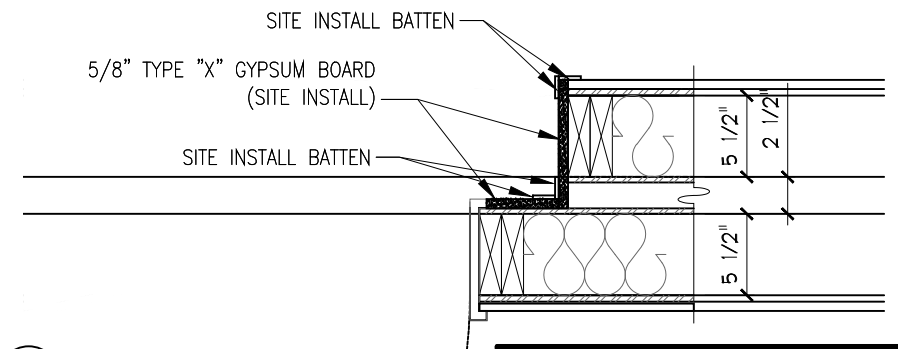
STAMP:

PLAN:
PROJECT:
WALL FRAMING PLAN
PROGRESS ENERGY LTD.
4-UNIT (S) OFFICE COMPLEX

SHEET NO.:
A5.3



1 WALL FRAMING PLAN
A5.3 SCALE: 3/16" = 1'-0"

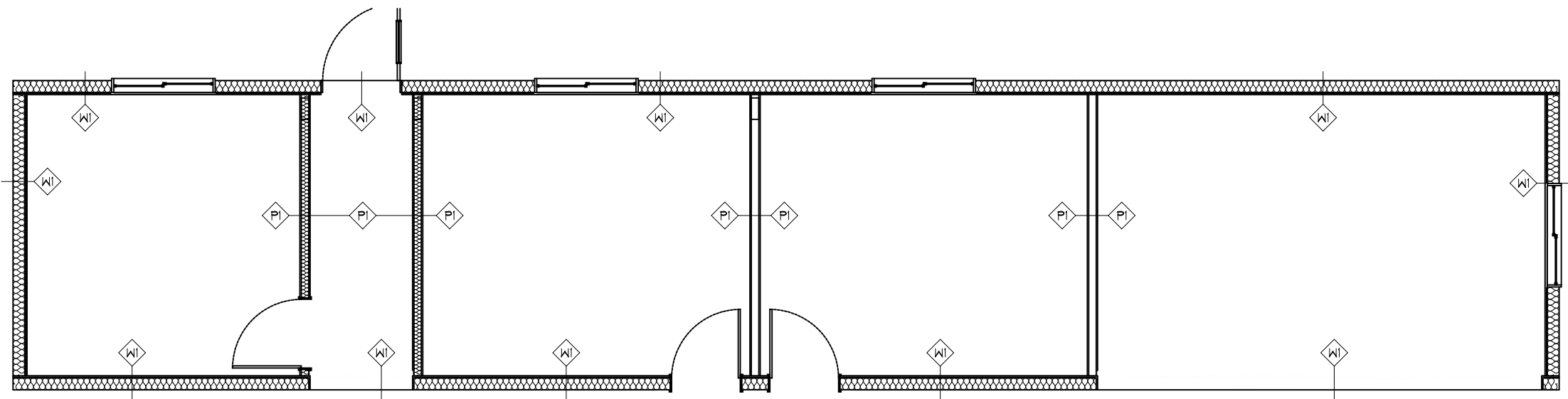


2 INTERIOR DOOR CONNECTION DETAIL
A5.3 SCALE: #####

MISC. ROUGH OPENING SCHEDULE					
ITEM #	QUANTITY		SILL HEIGHT	TYPE	DESCRIPTION
1					
2	1	208"W x 102"H	HEADER @ 18 1/4" DOWN	OPENING	C/W LVL BEAM (SEE PLAN)
3	1	49"W x 102"H	HEADER @ 18 1/4" DOWN	OPENING	C/W 3-2x8 LINTEL
4					
5					
6	3	10"W x 8"H	HEADER @ 1 1/2" DOWN	R/A OPENING	-
7					
8					
9					


WALL FRAMING NOTES

- [1] CEILING HEIGHT TO BE 10'-0 1/4"H. UNLESS NOTED. [2] ALL EXTERIOR WALLS TO BE C/W 2X6 JOISTS UNLESS NOTED.
- [3] ALL INTERIOR WALLS TO BE C/W 2X4 JOISTS UNLESS NOTED. [4] NO SCREWING RIBS ON THE EXTERIOR WALLS.
- [5] ALL JOIST SPACING TO BE 16" O.C. UNLESS NOTED. [6] SEE "OVERALL DOOR/WINDOW SCHEDULE" FOR COMPLETE INFORMATION.
- [7] ALL WALLS TO BE C/W DOUBLE TOP WALL PLATE.


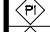
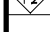


1 WALL FINISH PLAN
A5.4 SCALE: 3/16" = 1'-0"

INSULATION LEGEND

 FIBREGLASS BATTENS, R12 (2x4 WALL) & R20 (2x6 WALL)

WALL FINISH SCHEDULE

WALL	INTERIOR SHEATHING	VAPOUR BARRIER	FINISH	EXTERIOR SHEATHING	EXTERIOR BUILDING WRAP
	7/16" O.S.B.	6 MIL POLY	5/8" V.C. TYPE "X" GYPSUM BOARD [WALL FINISH #1]	7/16" O.S.B.	TYPAR OR EQUAL
	N/A	N/A	5/8" V.C. TYPE "X" GYPSUM BOARD [WALL FINISH #1]	N/A	N/A
					

NOTES

[1] SEE COLOUR SCHEDULE FOR SPECIFIC WALL FINISH.

STAMP:

PLAN: WALL FINISH PLAN

PROJECT: PROGRESS ENERGY LTD.
4-UNIT (S) OFFICE COMPLEX

PROJECT:

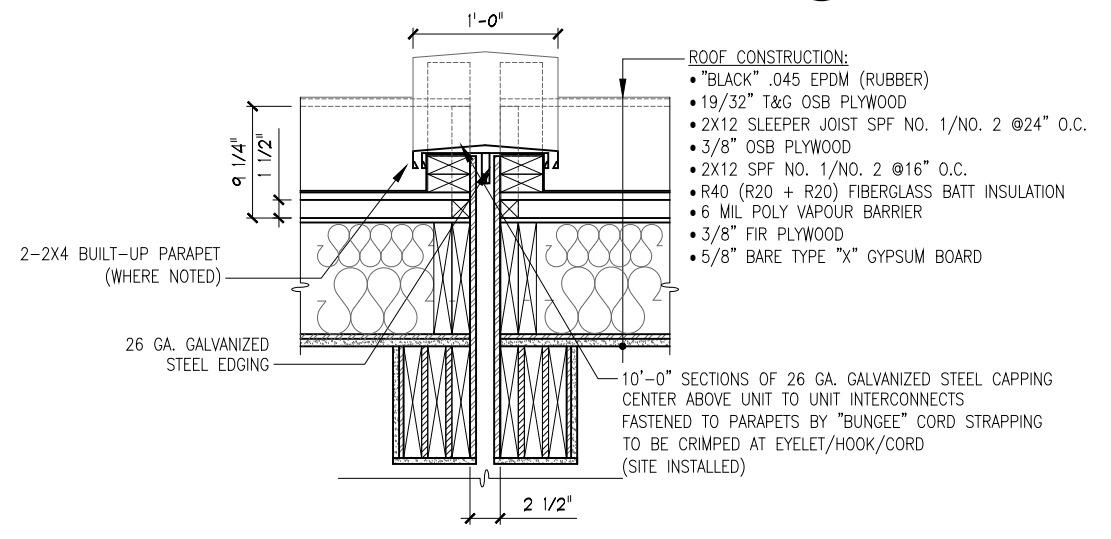
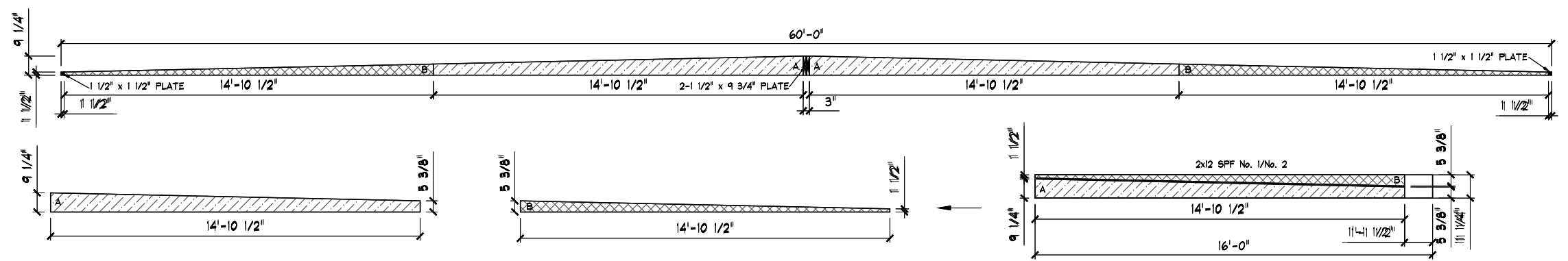
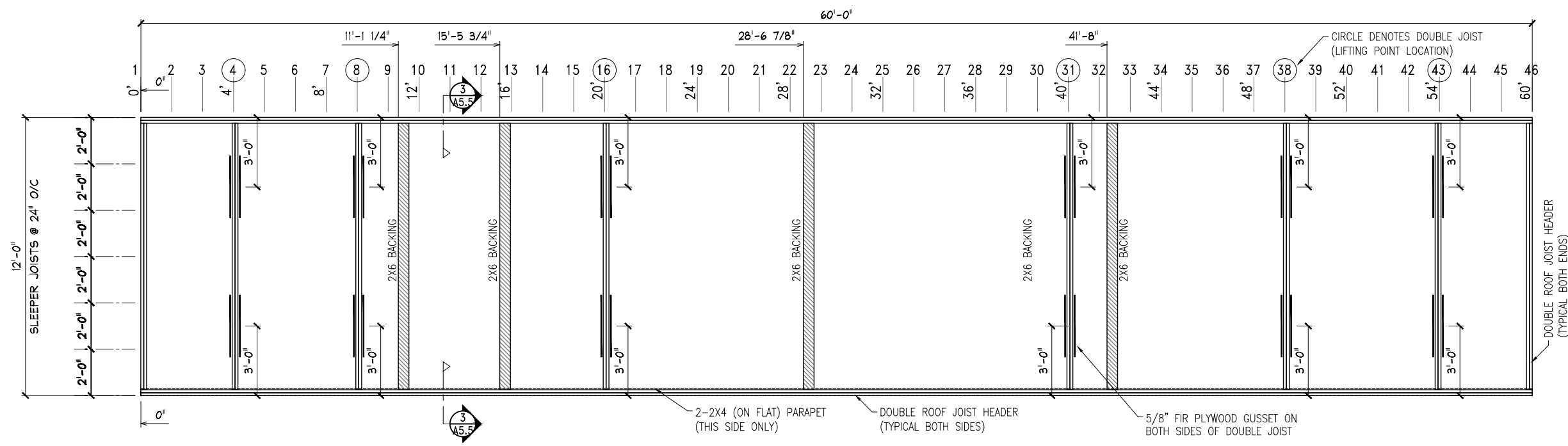
SHEET NO.:

A5.4

STAMP:

PLAN:
PROJECT:
ROOF FRAMING PLAN
PROGRESS ENERGY LTD.
4-UNIT (S) OFFICE COMPLEX

SHEET NO.:
A5.5

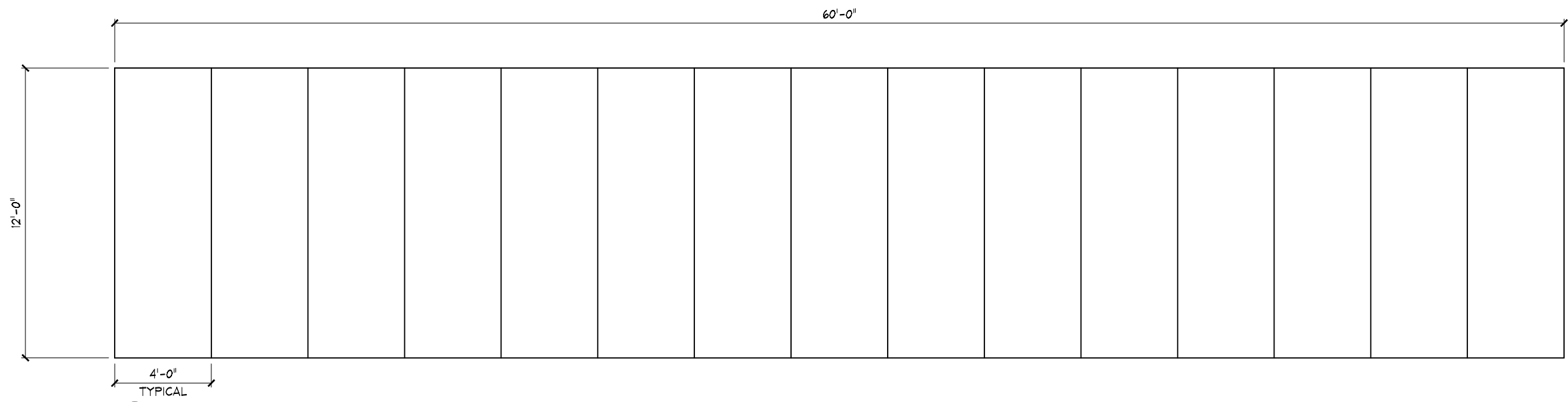


ROOF FRAMING SCHEDULE			
ROOFING TYPE	.045 EPDM (RUBBER)	CROWNED/SLOPED	SLEEPER JOIST: CROWNED (END TO END) ROOF JOIST: NO SLOPE
ROOFING COLOUR	BLACK	INSULATION	R40 FIBREGLAS BATT (R20+R20)
SLEEPER DECK	19/32" T&G O.S.B. PLYWOOD	VAPOUR BARRIER	6 MIL POLY
SLEEPER JOISTS	2x12 SPF NO. 1/NO. 2 @24" O.C.	SHEATHING	3/8" FIR PLYWOOD
ROOF DECK	3/8" O.S.B. PLYWOOD	CEILING	5/8" BARE TYPE "X" GYPSUM BOARD
ROOF JOISTS	2x12 SPF NO. 1/NO. 2 @16" O.C.	CEILING FINISH	SUSPENDED CEILING (9'-0 1/4" FROM FIN. FLR.)

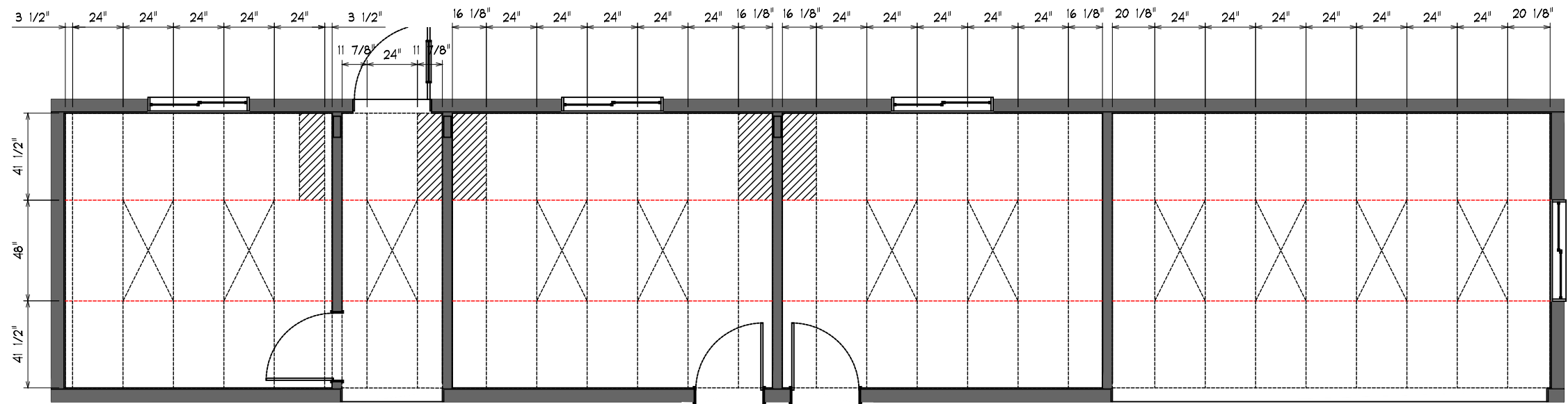
NOTES

[1] THE ROOF LIFTING WEIGHT IS A GUIDE FOR AFS MANUFACTURING ONLY.

[2] ROOF LIFTING WEIGHT CONSISTS OF CEILING FINISH, SHEATHING, ROOF JOIST & A 5% SAFETY FACTOR.



1 CEILING PLAN
A5.6 SCALE: 3/16" = 1'-0"
NOTE: VIEW IS GYPSUM BOARD FACING UP !!



1 CEILING PLAN
A5.6 SCALE: 3/16" = 1'-0"
NOTE: VIEW IS GYPSUM BOARD FACING UP !!

CEILING HEIGHT: 10'-0 1/4"
FINISHED T-BAR HEIGHT: 9'-0"
T-BAR GRID TO BE INSTALLED IN MANUFACTURING PLANT, TILES INSTALLED ON SITE.

- = 2' x 4' DROP-IN FLOURESCENT LIGHT (11 QTY.)
- = DROP-IN RETURN-AIR GRATE

FINISHING SCHEDULE				NOTES
CERAMALITE	**WHITE FRP ON MOP SINK & URINAL WALL ONLY**	DOOR TRIM	SEE COLOUR CHART	[1] MECH./FURNACE ROOM TO BE C/W 1 1/2" x 1 1/2" 'BONE WHITE' METAL MOLDINGS.
BASEBOARD	SEE COLOUR CHART	WINDOW TRIM	SEE COLOUR CHART	[2] ALL PENETRATIONS THROUGH MECH./FURNACE WALLS TO BE FIRE CAULKED.
SHEET TO SHEET	V.C. BATTEN (SEE NOTE #3)	APPLIANCES	SHIP FIXED IN PLACE	[3] BATTENS TO MATCH THE WALL VINYL.
WALL TO WALL	V.C. BATTEN (SEE NOTE #3)	PACKING MATERIAL	SEE PARTS LIST	
WALL TO CEILING	V.C. BATTEN (SEE NOTE #3)	MISC.	-	

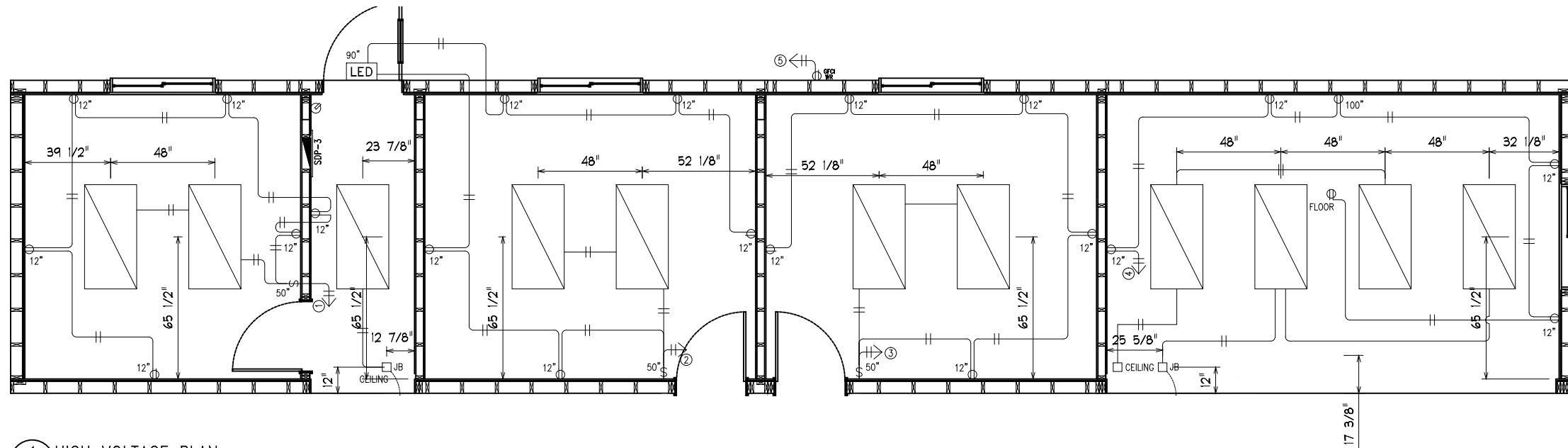
STAMP:

CEILING PLAN
PROJECT: PROGRESS ENERGY LTD.
4-UNIT (S) OFFICE COMPLEX

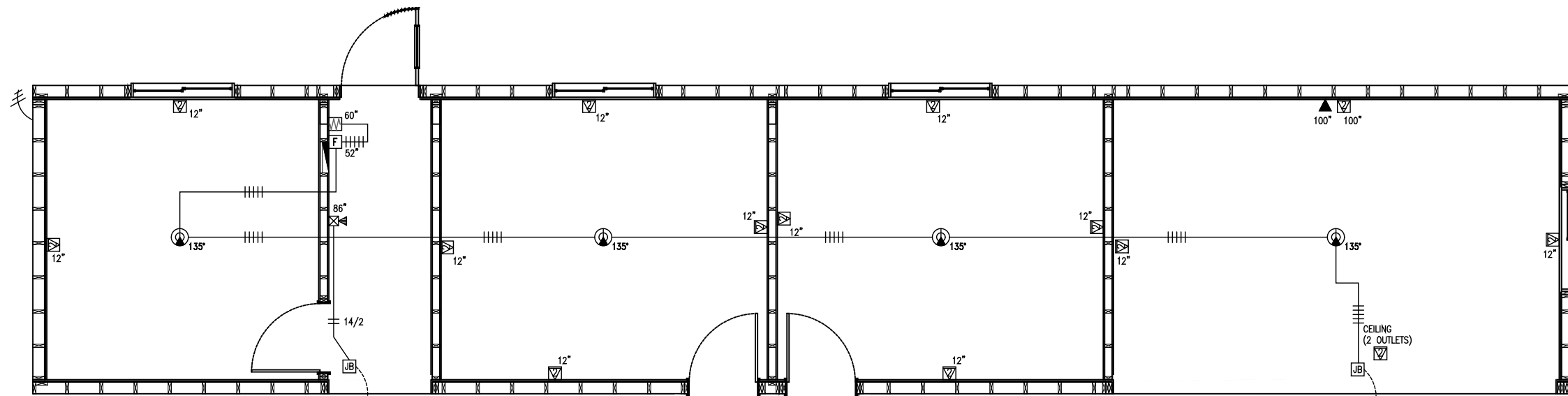
SHEET NO.: A5.6

PANEL DIRECTORY				
1	15A	1 RED	2	4 15A
2	15A	-	5	15A
3	15A	3 BLK	4	-
SPARE	15A	-	5 RED	6
		-	7 BLK	8
		-	9 RED	10
		-	11 BLK	12
		-	13 RED	14
		-	15 BLK	16
		-	17 RED	18
		-	19 BLK	20

ELECTRICAL SPECIFICATION	
PANEL BRAND	CUTLER HAMMER
SWITCH/RECEPTACLE	-
PANEL MOUNTING	SURFACED
MAXIMUM FEED AMPS	100A
VOLTS	120/240V
PHASE	SINGLE
MAIN BREAKER	-
NUMBER OF CIRCUITS	20/40 CCT
PANEL TYPE	NON-COMB
PANEL DIMENSIONS	-
NOTES	



1 HIGH VOLTAGE PLAN
E5.1 SCALE: 3/16" = 1'-0"



2 LOW VOLTAGE PLAN
E5.1 SCALE: 3/16" = 1'-0"

HIGH VOLTAGE SYMBOL SCHEDULE				LOW VOLTAGE SYMBOL SCHEDULE				
LEGEND	QTY.	DESCRIPTION	LEGEND	QTY.	DESCRIPTION	LEGEND	QTY.	DESCRIPTION
⊕	21	TR RECEPTACLE "DECORA" DUPLEX	⊕	-	2 HEAD EMERGENCY LIGHT WALL MOUNT/BATTERY BACKUP[LUMACELL/RGC442MT9W]	⊕	-	COMBUSTION DETECTOR
⊕	1	EXTERIOR RECEPTACLE "DECORA" [GFCI] WR/TR W/ IN-USE COVER	⊕	-	ALARM SMOKE/CO COMBO "BRK" [SC9120BA]	⊕	-	COMBUSTION DETECTOR W/ REMOTE LED
⊕	-	INTERIOR RECEPTACLE "DECORA" [GFCI-TR 15A] (5-15R)	⊕	-	INTERIOR SCENCE - "GALAXY" [790801PTR]	⊕	-	COMBUSTION DUCT DETECTOR W/ REMOTE LED
⊕	-	GFI DECORA DEAD FRONT (120V)	⊕	11	48" x 24" LAMP T8 TROFFER LIGHT "LITHONIA" [2GT8-332A12125-120-GE8101S]	⊕	10	24 VOLT, HEAT DETECTOR 135 DEGREE RATE OF RISE
⊕	-	RECEPTACLE P-TAC 20A, 208V "6-20R" (SEE NOTE #1)	⊕	-	LED RECESSED POT LIGHT 6" - "EEL" [C16W20]	⊕	1	24 VOLT, HEAT DETECTOR 200 DEGREE FIXED TEMPERATURE
⊕	-	RECEPTACLE DRYER 30A, 120/240V "14-30R"	⊕	-	CARBON MONOXIDE DETECTOR	⊕	1	"END OF LINE" 47K RESISTOR "MIRCOM" (MP-300)
⊕	-	RECEPTACLE "DECORA" DUPLEX [W/ 2 USB CHARGING PORTS]	⊕	1	8X10 HINGED WP PVC BOX W/SCREW FASTNERS "HAMMOND" [PJ1084RH]	⊕	1	"END OF LINE" 47K RESISTOR "MIRCOM" (MP-300)
⊕	3	SWITCH "DECORA" [1-POLE]	⊕	3	REVERSE ACTION THERMOSTAT "JOHNSON CONTROLS" T26	⊕	1	COAX OUTLET
⊕	1	SWITCH "DECORA" [3-WAY]	⊕	1	WALL MOUNTED HEATER 2000W 208V "OUELLET" OVS2008	⊕	1	COAX INTERCONNECT (COAX PLATE INSTALLED)
			⊕	1	THERMOSTAT INSTALLED ON UNIT "OUELLET" OVS-TB2	⊕	1	CABLE SPLITTER BOX C/W 8WAY SPLITTER
			⊕	1	8X10 HINGED WP PVC BOX W/SCREW FASTNERS "HAMMOND" [PJ1084RH]			
			⊕	1	LED RECESSED POT LIGHT 6" - "EEL" [C16W20]			
			⊕	1	CARBON MONOXIDE DETECTOR			
			⊕	1	WALL MOUNTED HEATER 2000W 208V "OUELLET" OVS2008			
			⊕	1	THERMOSTAT INSTALLED ON UNIT "OUELLET" OVS-TB2			
			⊕	1	8X10 HINGED WP PVC BOX W/SCREW FASTNERS "HAMMOND" [PJ1084RH]			
			⊕	1	LED RECESSED POT LIGHT 6" - "EEL" [C16W20]			
			⊕	1	CARBON MONOXIDE DETECTOR			
			⊕	1	WALL MOUNTED HEATER 2000W 208V "OUELLET" OVS2008			
			⊕	1	THERMOSTAT INSTALLED ON UNIT "OUELLET" OVS-TB2			
			⊕	1	8X10 HINGED WP PVC BOX W/SCREW FASTNERS "HAMMOND" [PJ1084RH]			
			⊕	1	LED RECESSED POT LIGHT 6" - "EEL" [C16W20]			
			⊕	1	CARBON MONOXIDE DETECTOR			
			⊕	1	WALL MOUNTED HEATER 2000W 208V "OUELLET" OVS2008			
			⊕	1	THERMOSTAT INSTALLED ON UNIT "OUELLET" OVS-TB2			
			⊕	1	8X10 HINGED WP PVC BOX W/SCREW FASTNERS "HAMMOND" [PJ1084RH]			
			⊕	1	LED RECESSED POT LIGHT 6" - "EEL" [C16W20]			
			⊕	1	CARBON MONOXIDE DETECTOR			
			⊕	1	WALL MOUNTED HEATER 2000W 208V "OUELLET" OVS2008			
			⊕	1	THERMOSTAT INSTALLED ON UNIT "OUELLET" OVS-TB2			
			⊕	1	8X10 HINGED WP PVC BOX W/SCREW FASTNERS "HAMMOND" [PJ1084RH]			
			⊕	1	LED RECESSED POT LIGHT 6" - "EEL" [C16W20]			
			⊕	1	CARBON MONOXIDE DETECTOR			
			⊕	1	WALL MOUNTED HEATER 2000W 208V "OUELLET" OVS2008			
			⊕	1	THERMOSTAT INSTALLED ON UNIT "OUELLET" OVS-TB2			
			⊕	1	8X10 HINGED WP PVC BOX W/SCREW FASTNERS "HAMMOND" [PJ1084RH]			
			⊕	1	LED RECESSED POT LIGHT 6" - "EEL" [C16W20]			
			⊕	1	CARBON MONOXIDE DETECTOR			
			⊕	1	WALL MOUNTED HEATER 2000W 208V "OUELLET" OVS2008			
			⊕	1	THERMOSTAT INSTALLED ON UNIT "OUELLET" OVS-TB2			
			⊕	1	8X10 HINGED WP PVC BOX W/SCREW FASTNERS "HAMMOND" [PJ1084RH]			
			⊕	1	LED RECESSED POT LIGHT 6" - "EEL" [C16W20]			
			⊕	1	CARBON MONOXIDE DETECTOR			
			⊕	1	WALL MOUNTED HEATER 2000W 208V "OUELLET" OVS2008			
			⊕	1	THERMOSTAT INSTALLED ON UNIT "OUELLET" OVS-TB2			
			⊕	1	8X10 HINGED WP PVC BOX W/SCREW FASTNERS "HAMMOND" [PJ1084RH]			
			⊕	1	LED RECESSED POT LIGHT 6" - "EEL" [C16W20]			
			⊕	1	CARBON MONOXIDE DETECTOR			
			⊕	1	WALL MOUNTED HEATER 2000W 208V "OUELLET" OVS2008			
			⊕	1	THERMOSTAT INSTALLED ON UNIT "OUELLET" OVS-TB2			
			⊕	1	8X10 HINGED WP PVC BOX W/SCREW FASTNERS "HAMMOND" [PJ1084RH]			
			⊕	1	LED RECESSED POT LIGHT 6" - "EEL" [C16W20]			
			⊕	1	CARBON MONOXIDE DETECTOR			
			⊕	1	WALL MOUNTED HEATER 2000W 208V "OUELLET" OVS2008			
			⊕	1	THERMOSTAT INSTALLED ON UNIT "OUELLET" OVS-TB2			
			⊕	1	8X10 HINGED WP PVC BOX W/SCREW FASTNERS "HAMMOND" [PJ1084RH]			
			⊕	1	LED RECESSED POT LIGHT 6" - "EEL" [C16W20]			
			⊕	1	CARBON MONOXIDE DETECTOR			
			⊕	1	WALL MOUNTED HEATER 2000W 208V "OUELLET" OVS2008			
			⊕	1	THERMOSTAT INSTALLED ON UNIT "OUELLET" OVS-TB2			
			⊕	1	8X10 HINGED WP PVC BOX W/SCREW FASTNERS "HAMMOND" [PJ1084RH]			
			⊕	1	LED RECESSED POT LIGHT 6" - "EEL" [C16W20]			
			⊕	1	CARBON MONOXIDE DETECTOR			
			⊕	1	WALL MOUNTED HEATER 2000W 208V "OUELLET" OVS2008			
			⊕	1	THERMOSTAT INSTALLED ON UNIT "OUELLET" OVS-TB2			
			⊕	1	8X10 HINGED WP PVC BOX W/SCREW FASTNERS "HAMMOND" [PJ1084RH]			
			⊕	1	LED RECESSED POT LIGHT 6" - "EEL" [C16W20]			
			⊕	1	CARBON MONOXIDE DETECTOR			
			⊕	1	WALL MOUNTED HEATER 2000W 208V "OUELLET" OVS2008			
			⊕	1	THERMOSTAT INSTALLED ON UNIT "OUELLET" OVS-TB2			
			⊕	1	8X10 HINGED WP PVC BOX W/SCREW FASTNERS "HAMMOND" [PJ1084RH]			
			⊕	1	LED RECESSED POT LIGHT 6" - "EEL" [C16W20]			
			⊕	1	CARBON MONOXIDE DETECTOR			
			⊕	1	WALL MOUNTED HEATER 2000W 208V "OUELLET" OVS2008			
			⊕	1	THERMOSTAT INSTALLED ON UNIT "OUELLET" OVS-TB2			
			⊕	1	8X10 HINGED WP PVC BOX W/SCREW FASTNERS "HAMMOND" [PJ1084RH]			
			⊕	1	LED RECESSED POT LIGHT 6" - "EEL" [C16W20]			
			⊕	1	CARBON MONOXIDE DETECTOR			
			⊕	1	WALL MOUNTED HEATER 2000W 208V "OUELLET" OVS2008			
			⊕	1	THERMOSTAT INSTALLED ON UNIT "OUELLET" OVS-TB2			
			⊕	1	8X10 HINGED WP PVC BOX W/SCREW FASTNERS "HAMMOND" [PJ1084RH]			
			⊕	1	LED RECESSED POT LIGHT 6" - "EEL" [C16W20]			
			⊕	1	CARBON MONOXIDE DETECTOR			
			⊕	1	WALL MOUNTED HEATER 2000W 208V "OUELLET" OVS2008			
			⊕	1	THERMOSTAT INSTALLED ON UNIT "OUELLET" OVS-TB2			
			⊕	1	8X10 HINGED WP PVC BOX W/SCREW FASTNERS "HAMMOND" [PJ1084RH]			
			⊕	1	LED RECESSED POT LIGHT 6" - "EEL" [C16W20]			
			⊕	1	CARBON MONOXIDE DETECTOR			
			⊕	1	WALL MOUNTED HEATER 2000W 208V "OUELLET" OVS2008			
			⊕	1	THERMOSTAT INSTALLED ON UNIT "OUELLET" OVS-TB2			
			⊕	1	8X10 HINGED WP PVC BOX W/SCREW FASTNERS "HAMMOND" [PJ1084RH]			
			⊕	1	LED RECESSED POT LIGHT 6" - "EEL" [C16W20]			
			⊕	1	CARBON MONOXIDE DETECTOR			
			⊕	1	WALL MOUNTED HEATER 2000W 208V "OUELLET" OVS2008			
			⊕	1	THERMOSTAT INSTALLED ON UNIT "OUELLET" OVS-TB2			
			⊕	1	8X10 HINGED WP PVC BOX W/SCREW FASTNERS "HAMMOND" [PJ1084RH]			
			⊕	1	LED RECESSED POT LIGHT 6" - "EEL" [C16W20]			
			⊕	1	CARBON MONOXIDE DETECTOR			
			⊕	1	WALL MOUNTED HEATER 2000W 208V "OUELLET" OVS2008			
			⊕	1	THERMOSTAT INSTALLED ON UNIT "OUELLET" OVS-TB2			
			⊕	1	8X10 HINGED WP PVC BOX W/SCREW FASTNERS "HAMMOND" [PJ1084RH]			
			⊕	1	LED RECESSED POT LIGHT 6" - "EEL" [C16W20]			
			⊕	1	CARBON MONOXIDE DETECTOR			
			⊕	1	WALL MOUNTED HEATER 2000W 208V "OUELLET" OVS2008			
			⊕	1	THERMOSTAT INSTALLED ON UNIT "OUELLET" OVS-TB2			
			⊕	1	8X10 HINGED WP PVC BOX W/SCREW FASTNERS "HAMMOND" [PJ1084RH]			
			⊕	1	LED RECESSED POT LIGHT 6" - "EEL" [C16W20]			
			⊕	1	CARBON MONOXIDE DETECTOR			
			⊕	1	WALL MOUNTED HEATER 2000W 208V "OUELLET" OVS2008			
			⊕	1	THERMOSTAT INSTALLED ON UNIT "OUELLET" OVS-TB2			
			⊕	1	8X10 HINGED WP PVC BOX W/SCREW FASTNERS "HAMMOND" [PJ1084RH]			
			⊕	1	LED RECESSED POT LIGHT 6" - "EEL" [C16W20]			
			⊕	1	CARBON MONOXIDE DETECTOR			
			⊕	1	WALL MOUNTED HEATER 2000W 208V "OUELLET" OVS2008			
			⊕	1	THERMOSTAT INSTALLED ON UNIT "OUELLET" OVS-TB2			
			⊕	1	8X10 HINGED WP PVC BOX W/SCREW FASTNERS "HAMMOND" [PJ1084RH]			
			⊕	1	LED RECESSED POT LIGHT 6" - "EEL" [C16W20]			
			⊕	1	CARBON MONOXIDE DETECTOR			
			⊕	1	WALL MOUNTED HEATER 2000W 208V "OUELLET" OVS2008			
			⊕	1	THERMOSTAT INSTALLED ON UNIT "OUELLET" OVS-TB2			
			⊕	1	8X10 HINGED WP PVC BOX W/SCREW FASTNERS "HAMMOND" [PJ1084RH]			
			⊕	1	LED RECESSED POT LIGHT 6" - "EEL" [C16W20]			
			⊕	1	CARBON MONOXIDE DETECTOR			
			⊕	1	WALL MOUNTED HEATER 2000W 208V "OUELLET" OVS2008			
			⊕	1	THERMOSTAT INSTALLED ON UNIT "OUELLET" OVS-TB2			
			⊕	1	8X10 HINGED WP PVC BOX W/SCREW FASTNERS "HAMMOND" [PJ1084RH]			
			⊕	1	LED RECESSED POT LIGHT 6" - "EEL" [C16W20]			
			⊕					