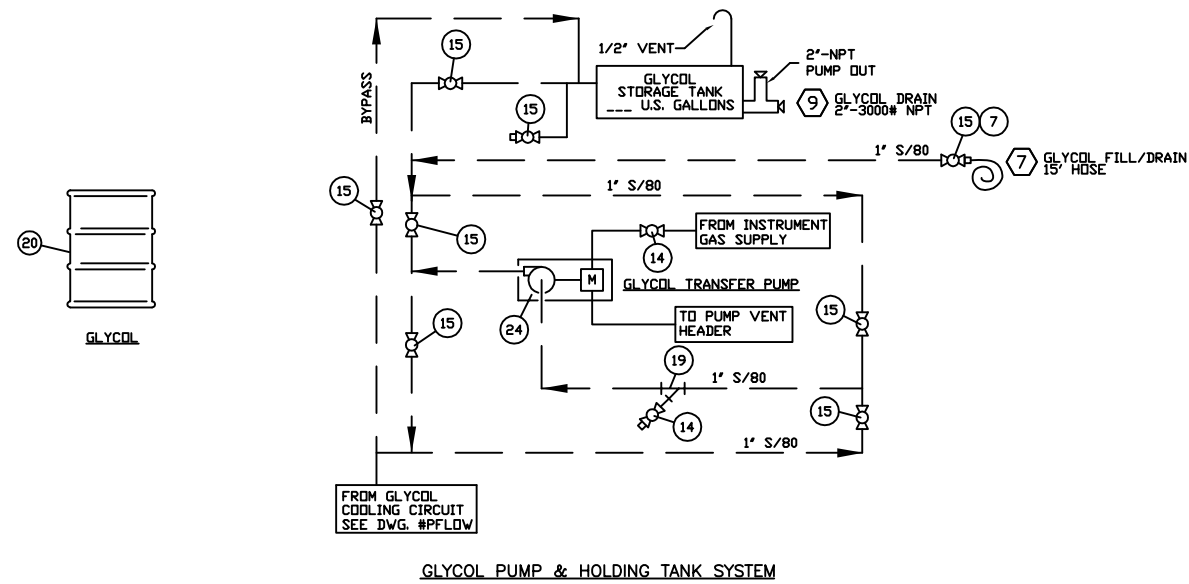
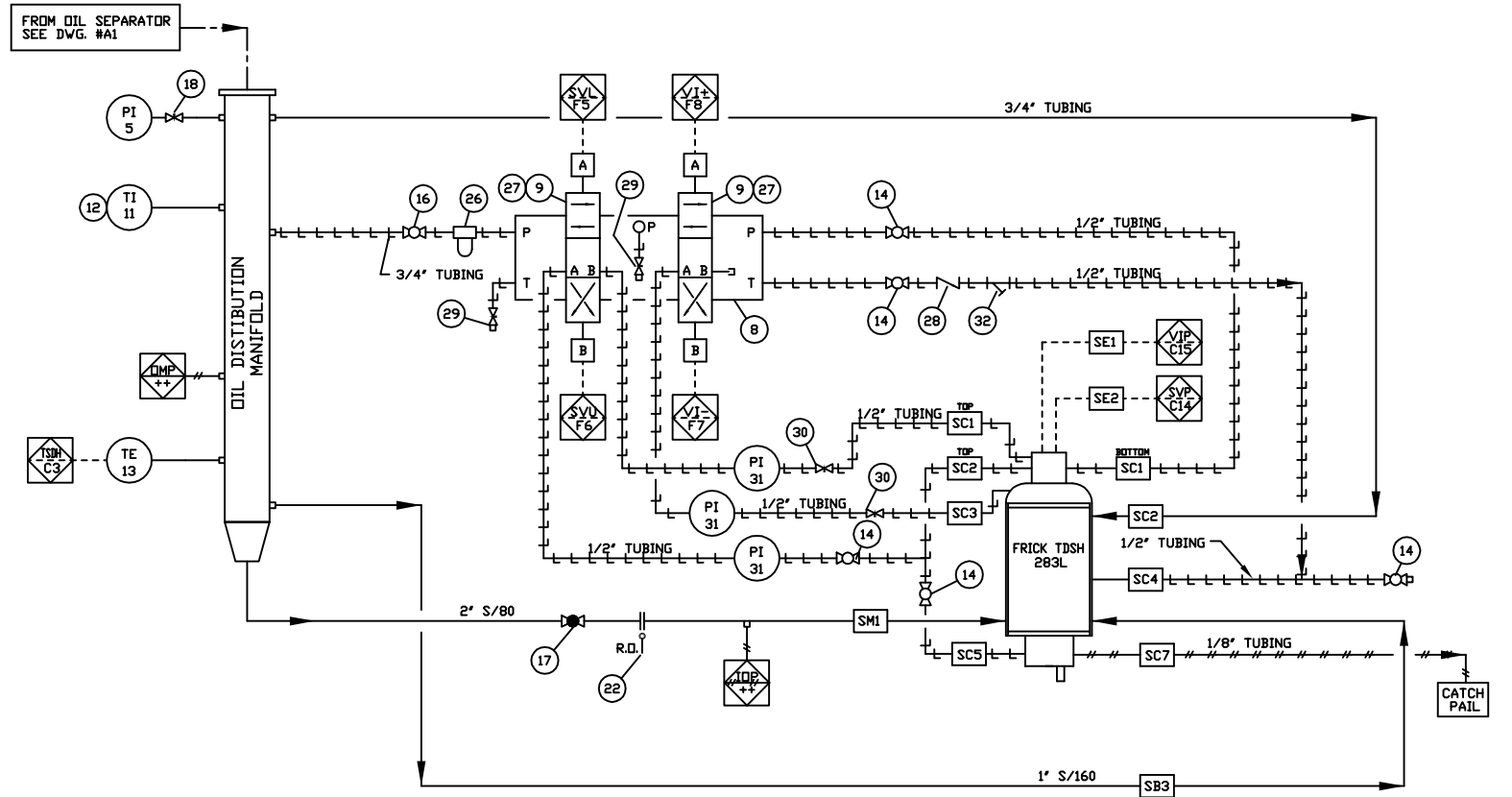


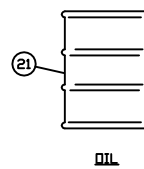
MISCELLANEOUS



GLYCOL PUMP & HOLDING TANK SYSTEM



LUBE OIL SYSTEM



NOTES:
1. FOR ALL OTHER NOTES AND GENERAL INFORMATION SEE DWG. #PFL0W

No.	REVISION	DATE	BY
3	AS BUILT	04-03-02	BM
2	CORRECT DRIVER NAME (ISSUED FOR CONSTRUCTION)	02-20-02	BM
1	ISSUED FOR CONSTRUCTION	02-01-02	BM
0	ISSUED FOR APPROVAL	01-15-02	BM

ENERGY INDUSTRIES INC. 4303 - 11TH STREET N.E. CALGARY ALBERTA CANADA

TITLE: UTILITY FLOW DIAGRAM
SIEMENS ELECTRIC 900 HP
FRICK TDSH 283L
AIR-X-LIMITED 84BEH

CUSTOMER: ENERMARK INC.
c/o: TUXTLA GAS ENGINEERING LTD.
JOARCAM 11-13 BATTERY
GAS SCREW COMPRESSOR
LSD: 11-13-50-22 W4M

SCALE: NONE **DATE:** 01-15-02 **BY:** BM **DATE RELEASED:** **RELEASED BY:**

STEP # 510 **UNIT #** S195 **DRAWING NO.:** S195-UFLOW REV. 3