

1.2 PACKAGE DATA SHEET

Compressor Make/Model: 30HP Vapour Recovery Unit

Compressor Serial Number: 2628

Compressor Design Speed: 3330

Driver Make/Model: WEG

Driver Serial Number:

Design Inlet Pressure: 0°F

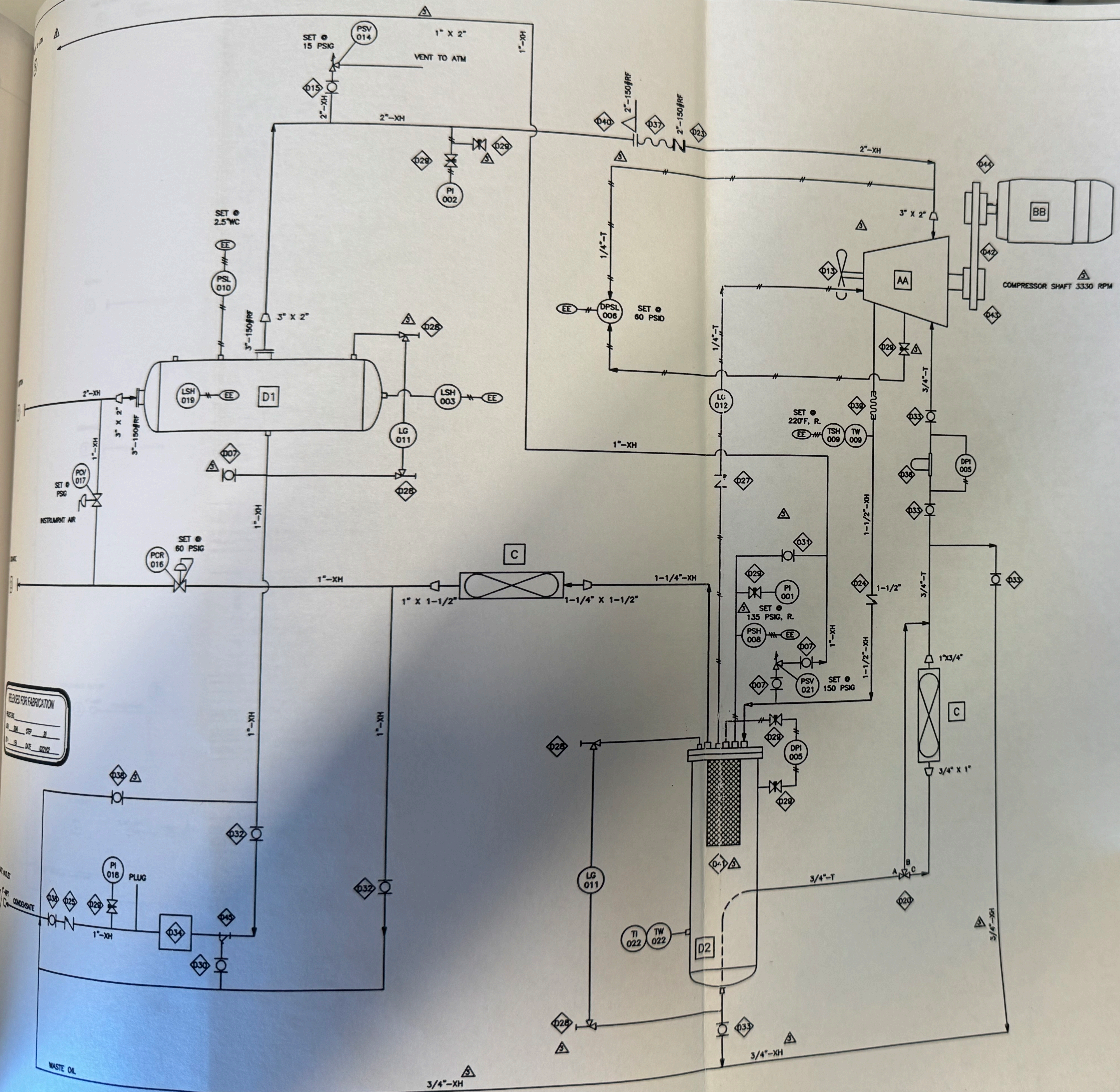
Design Discharge Pressure: 45°F

Design Flow Rate: 135 MSCFD

Maximum Allowable Discharge Pressure:

NOTICE

Exceeding the above conditions will cause damage to the unit. The operators **MUST** familiarize themselves with the design limits **BEFORE** starting the unit.



REQUIRED FOR FABRICATION
 NO. _____
 DATE _____

BILL OF MATERIAL

ITEM	QTY.	DESCRIPTION
1	1	COMPRESSOR, LABEL NO. ROTARY SCREEN, 100MM BELT DRAG, C/W T/M SHFT
2	1	COMBINED COOLER, OIL SECTION 1" IPT, GAS SECTION 1-1/2" IPT
3	1	WET SEPARATOR, HORIZONTAL, 1/4" X 1/4" X 1/4" PSIG @ 1500, 3/4" W/ 255070
4	1	OIL/GAS SEPARATOR, LABEL, 1/4" X 2", 170 PSIG @ 1500, 3/4" W/ 255070
5	1	DIFFERENTIAL PRESSURE INDICATOR, INDI, 1/4" IPT, IN BODY, 0-20 PSIG, LIQUID FILLED
6	1	DIFF. PRESSURE SWITCH (LOP), GAS DUAL SHIP, HEAVY 7, SET @ 2-71 PSIG 7, 400 PSI W/M
7	1	SMALL VALVE 1" IPT, 2" W/ 2000, W/S
8	1	TEMP. SWITCH (HEAVY), DUAL SHIP, HEAVY 7, SET @ 100 PSIG
9	1	TEMP. SWITCH (HEAVY), DUAL SHIP, HEAVY 7, 150-210 F, C/W 1/2" X 3/4" X 2-1/2" T/M
10	1	LEVEL GAUGE, REFLEX TYPE, FERRYWAY, 3/4" IPT, 0-100 PSIG, 200 PSI W/M
11	1	SMALL VALVE, 1/4" IPT, 2" W/ 2000, W/S
12	1	SMALL VALVE, 1/4" IPT, 2" W/ 2000, W/S
13	1	SMALL VALVE, 1/4" IPT, 2" W/ 2000, W/S
14	1	SMALL VALVE, 1/4" IPT, 2" W/ 2000, W/S
15	1	SMALL VALVE, 1/4" IPT, 2" W/ 2000, W/S
16	1	SMALL VALVE, 1/4" IPT, 2" W/ 2000, W/S
17	1	SMALL VALVE, 1/4" IPT, 2" W/ 2000, W/S
18	1	SMALL VALVE, 1/4" IPT, 2" W/ 2000, W/S
19	1	SMALL VALVE, 1/4" IPT, 2" W/ 2000, W/S
20	1	SMALL VALVE, 1/4" IPT, 2" W/ 2000, W/S
21	1	SMALL VALVE, 1/4" IPT, 2" W/ 2000, W/S
22	1	SMALL VALVE, 1/4" IPT, 2" W/ 2000, W/S
23	1	SMALL VALVE, 1/4" IPT, 2" W/ 2000, W/S
24	1	SMALL VALVE, 1/4" IPT, 2" W/ 2000, W/S
25	1	SMALL VALVE, 1/4" IPT, 2" W/ 2000, W/S
26	1	SMALL VALVE, 1/4" IPT, 2" W/ 2000, W/S
27	1	SMALL VALVE, 1/4" IPT, 2" W/ 2000, W/S
28	1	SMALL VALVE, 1/4" IPT, 2" W/ 2000, W/S
29	1	SMALL VALVE, 1/4" IPT, 2" W/ 2000, W/S
30	1	SMALL VALVE, 1/4" IPT, 2" W/ 2000, W/S
31	1	SMALL VALVE, 1/4" IPT, 2" W/ 2000, W/S
32	1	SMALL VALVE, 1/4" IPT, 2" W/ 2000, W/S
33	1	SMALL VALVE, 1/4" IPT, 2" W/ 2000, W/S
34	1	SMALL VALVE, 1/4" IPT, 2" W/ 2000, W/S
35	1	SMALL VALVE, 1/4" IPT, 2" W/ 2000, W/S
36	1	SMALL VALVE, 1/4" IPT, 2" W/ 2000, W/S
37	1	SMALL VALVE, 1/4" IPT, 2" W/ 2000, W/S
38	1	SMALL VALVE, 1/4" IPT, 2" W/ 2000, W/S
39	1	SMALL VALVE, 1/4" IPT, 2" W/ 2000, W/S
40	1	SMALL VALVE, 1/4" IPT, 2" W/ 2000, W/S
41	1	SMALL VALVE, 1/4" IPT, 2" W/ 2000, W/S
42	1	SMALL VALVE, 1/4" IPT, 2" W/ 2000, W/S
43	1	SMALL VALVE, 1/4" IPT, 2" W/ 2000, W/S
44	1	SMALL VALVE, 1/4" IPT, 2" W/ 2000, W/S
45	1	SMALL VALVE, 1/4" IPT, 2" W/ 2000, W/S
46	1	SMALL VALVE, 1/4" IPT, 2" W/ 2000, W/S
47	1	SMALL VALVE, 1/4" IPT, 2" W/ 2000, W/S
48	1	SMALL VALVE, 1/4" IPT, 2" W/ 2000, W/S
49	1	SMALL VALVE, 1/4" IPT, 2" W/ 2000, W/S
50	1	SMALL VALVE, 1/4" IPT, 2" W/ 2000, W/S
51	1	SMALL VALVE, 1/4" IPT, 2" W/ 2000, W/S
52	1	SMALL VALVE, 1/4" IPT, 2" W/ 2000, W/S
53	1	SMALL VALVE, 1/4" IPT, 2" W/ 2000, W/S
54	1	SMALL VALVE, 1/4" IPT, 2" W/ 2000, W/S
55	1	SMALL VALVE, 1/4" IPT, 2" W/ 2000, W/S
56	1	SMALL VALVE, 1/4" IPT, 2" W/ 2000, W/S
57	1	SMALL VALVE, 1/4" IPT, 2" W/ 2000, W/S
58	1	SMALL VALVE, 1/4" IPT, 2" W/ 2000, W/S
59	1	SMALL VALVE, 1/4" IPT, 2" W/ 2000, W/S
60	1	SMALL VALVE, 1/4" IPT, 2" W/ 2000, W/S
61	1	SMALL VALVE, 1/4" IPT, 2" W/ 2000, W/S
62	1	SMALL VALVE, 1/4" IPT, 2" W/ 2000, W/S
63	1	SMALL VALVE, 1/4" IPT, 2" W/ 2000, W/S
64	1	SMALL VALVE, 1/4" IPT, 2" W/ 2000, W/S
65	1	SMALL VALVE, 1/4" IPT, 2" W/ 2000, W/S
66	1	SMALL VALVE, 1/4" IPT, 2" W/ 2000, W/S
67	1	SMALL VALVE, 1/4" IPT, 2" W/ 2000, W/S
68	1	SMALL VALVE, 1/4" IPT, 2" W/ 2000, W/S
69	1	SMALL VALVE, 1/4" IPT, 2" W/ 2000, W/S
70	1	SMALL VALVE, 1/4" IPT, 2" W/ 2000, W/S
71	1	SMALL VALVE, 1/4" IPT, 2" W/ 2000, W/S
72	1	SMALL VALVE, 1/4" IPT, 2" W/ 2000, W/S
73	1	SMALL VALVE, 1/4" IPT, 2" W/ 2000, W/S
74	1	SMALL VALVE, 1/4" IPT, 2" W/ 2000, W/S
75	1	SMALL VALVE, 1/4" IPT, 2" W/ 2000, W/S
76	1	SMALL VALVE, 1/4" IPT, 2" W/ 2000, W/S
77	1	SMALL VALVE, 1/4" IPT, 2" W/ 2000, W/S
78	1	SMALL VALVE, 1/4" IPT, 2" W/ 2000, W/S
79	1	SMALL VALVE, 1/4" IPT, 2" W/ 2000, W/S
80	1	SMALL VALVE, 1/4" IPT, 2" W/ 2000, W/S
81	1	SMALL VALVE, 1/4" IPT, 2" W/ 2000, W/S
82	1	SMALL VALVE, 1/4" IPT, 2" W/ 2000, W/S
83	1	SMALL VALVE, 1/4" IPT, 2" W/ 2000, W/S
84	1	SMALL VALVE, 1/4" IPT, 2" W/ 2000, W/S
85	1	SMALL VALVE, 1/4" IPT, 2" W/ 2000, W/S
86	1	SMALL VALVE, 1/4" IPT, 2" W/ 2000, W/S
87	1	SMALL VALVE, 1/4" IPT, 2" W/ 2000, W/S
88	1	SMALL VALVE, 1/4" IPT, 2" W/ 2000, W/S
89	1	SMALL VALVE, 1/4" IPT, 2" W/ 2000, W/S
90	1	SMALL VALVE, 1/4" IPT, 2" W/ 2000, W/S
91	1	SMALL VALVE, 1/4" IPT, 2" W/ 2000, W/S
92	1	SMALL VALVE, 1/4" IPT, 2" W/ 2000, W/S
93	1	SMALL VALVE, 1/4" IPT, 2" W/ 2000, W/S
94	1	SMALL VALVE, 1/4" IPT, 2" W/ 2000, W/S
95	1	SMALL VALVE, 1/4" IPT, 2" W/ 2000, W/S
96	1	SMALL VALVE, 1/4" IPT, 2" W/ 2000, W/S
97	1	SMALL VALVE, 1/4" IPT, 2" W/ 2000, W/S
98	1	SMALL VALVE, 1/4" IPT, 2" W/ 2000, W/S
99	1	SMALL VALVE, 1/4" IPT, 2" W/ 2000, W/S
100	1	SMALL VALVE, 1/4" IPT, 2" W/ 2000, W/S

GENERAL NOTES

- THIS DRAWING IS NOT TO BE USED FOR CONSTRUCTION UNLESS SHIPPED "RELEASED FOR FABRICATION".
- ALL PROCESS PIPING TO BE CLAMPED AS SHOWN TO FULL ALLOWED AS POSSIBLE.
- PIPE SIZES 1-1/2" AND SMALLER TO BE 1/8" THK WALL THICKNESS.

LEGEND

○	LOCALLY INSTALLED	⊗	INSTRUMENT SUPPLY GAS	—○—	INTERNAL LINK SIGNAL
⊙	MAIN CONTROL PANEL	⊕	TEST POINT	—○—	UNWETTED SIGNAL
⊚	LOCAL GAUGE PANEL	⊖	CONCRETE PANEL TIE-IN	—○—	PNEUMATIC SIGNAL
⊛	CUSTOMER CONNECTIONS	⊗	ITEM TO BE SHIPPED LOOSE FOR FIELD INSTALLATION	—○—	ELECTRIC SIGNAL
⊜	UNMANUFACTURED COMPONENTS	⊘	LOW POINT DRAIN (PLUGGED)	—○—	CAPILLARY SIGNAL
⊝	MAJOR COMPONENTS	⊙	FULL BORE SPICER PLATE 1/8" THK		
		⊙	3/16" DEEP HOLE DRAIN		

REV	DESCRIPTION	DATE	DRAWN BY	CHECKED BY
3	AS BUILT	04/05/2002	CW	
2	REVISED FOR TUXTLA APPROVAL	02/13/2002	CW	CP
1	AS BUILT	01/28/2001	CP	CP
0	ISSUED FOR APPROVAL	01/04/2001	CP	CP

BC Brittonia Compressor
 CE FRANKLIN LTD
 Calgary, Alberta Canada

TITLE: PROCESS & INSTRUMENTATION DIAGRAM (LeROI G1010H-F/WEG 30 HP/AGK AOC30)

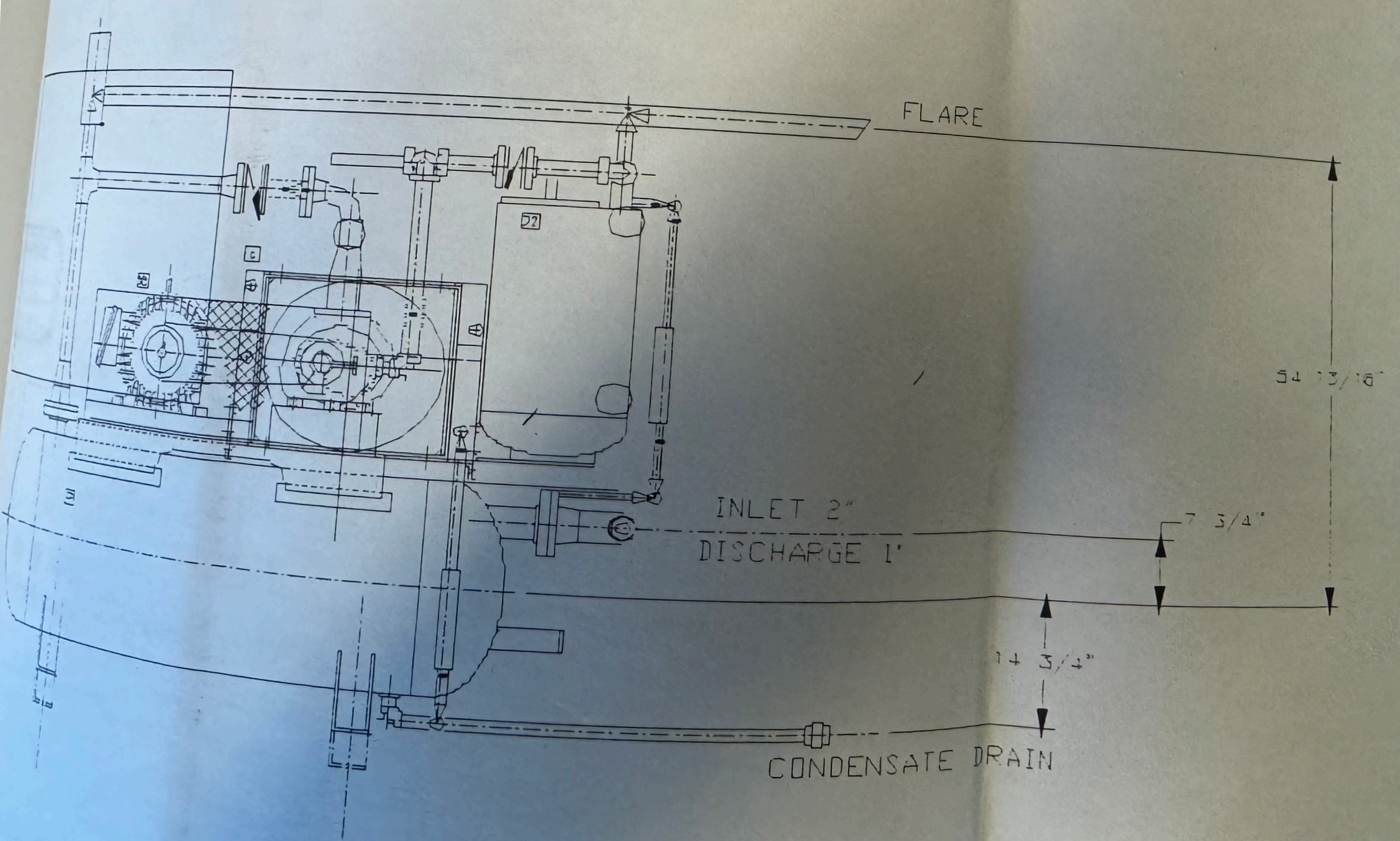
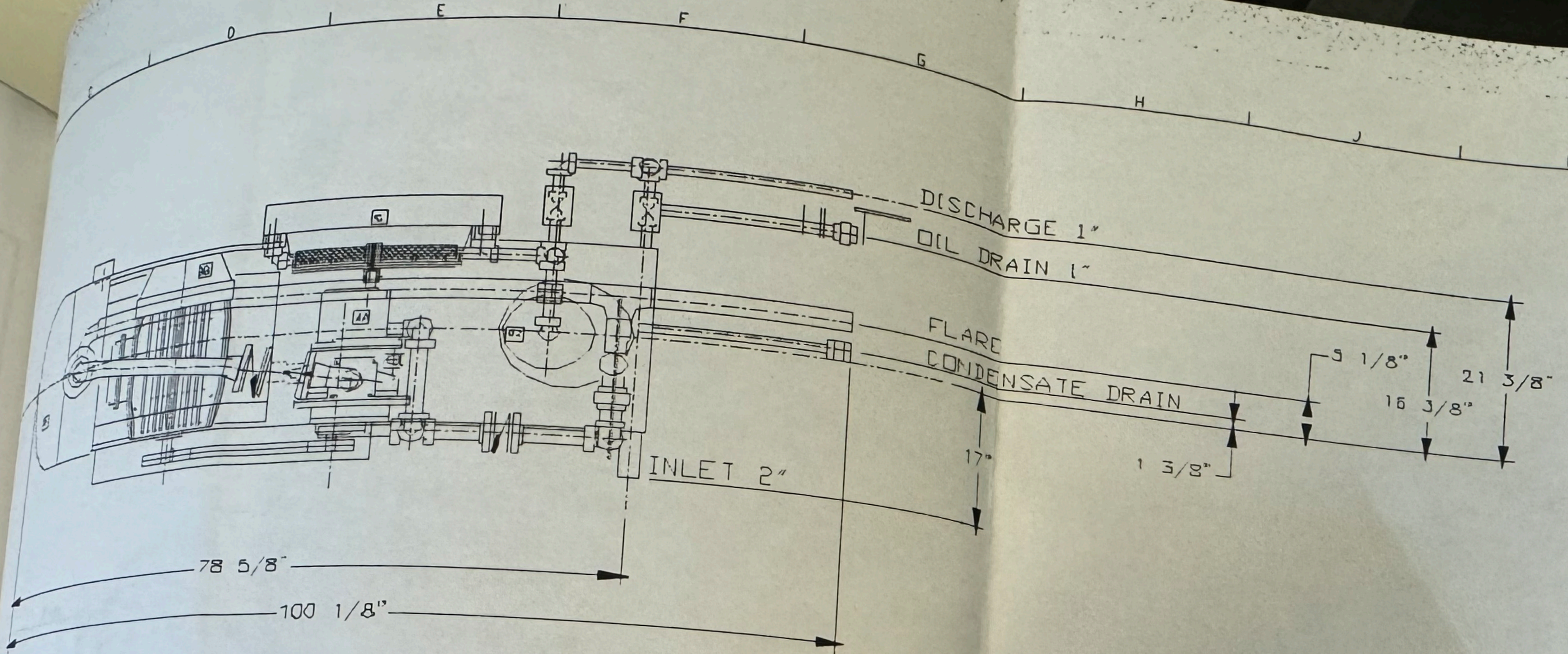
FOR: TUXTLA (CALGARY)

CONSUANT: P.O.:
 DATE: 01/04/2001
 DWN BY: CP
 SCALE: N.T.S.

DESIGN BY: CP
 CHECKED BY: JO
 APPROVD BY: JO

DATE: 01/04/2001
 DATE: 01/04/2001
 DATE: 01/04/2001

JOB No.:
 DWG. NO. 1-0001



CUSTOMER CONNECTIONS	
DISCHARGE	1" NPT
OIL DRAIN	1" NPT
CONDENSATE DRAIN	3/4" NPT
FLARE	

- ### MAJOR COMPONENTS
- CC** (1) WEG 30HP 3530 RPM, 450V/2PH/60HZ, X-PROOF
 - DD** (1) COMBINED OIL/GAS COOLER, WEG MODEL AOC30
 - EE** (1) OIL SEPARATOR, #14" X 68" O/A, 175 PSIG MAWP @ 450°F, S/N 94785
 - FF** (1) OIL/GAS SEPARATOR, #14" X 28" O/A, 175 PSIG MAWP @ 650°F, S/N 230998

- ### GENERAL NOTES
- THIS DRAWING IS NOT TO BE USED FOR CONSTRUCTION UNLESS STAMPED "RELEASED FOR CONSTRUCTION".
 - SEE DRAWING FOR DIMENSIONS.
 - ALL DIMENSIONS ARE IN UNLESS OTHERWISE NOTED.
 - ALL DIMENSIONS ARE TO BE TAKEN TO THE CENTERLINE OF THE CONNECTIONS UNLESS OTHERWISE NOTED.
 - ALL DIMENSIONS ARE TO BE TAKEN TO THE CENTERLINE OF THE CONNECTIONS UNLESS OTHERWISE NOTED.
 - ALL DIMENSIONS ARE TO BE TAKEN TO THE CENTERLINE OF THE CONNECTIONS UNLESS OTHERWISE NOTED.
 - ALL DIMENSIONS ARE TO BE TAKEN TO THE CENTERLINE OF THE CONNECTIONS UNLESS OTHERWISE NOTED.

SHIPPING WEIGHTS

	kg	lbs
MOTOR	167	368
COMPRESSOR	77	170
COOLING	50	110
VESSELS	484	1070
SKID	939	2070
MISC & LOADS	218	480
BUILDING	453	1000
TOTAL SHIPPING WEIGHT	2308	5088
SHIPPED LOOSE ITEMS	N/A	N/A
TOTAL UNIT WEIGHT	2394	5278

UNIT DIMENSIONS

	mm	ft/in
MAIN SKID W/ ALL MAIN EQUIPMENT MOUNTED		
LENGTH	3048	10'-0"
WIDTH	2438	8'-0"
HEIGHT	3048	10'-0"
SHIPPING DIMENSIONS		
LENGTH	3048	10'-0"
WIDTH	2438	8'-0"
HEIGHT	3048	10'-0"

REV	DESCRIPTION	DATE	DRAWN BY	CHECKED BY
2	AS BUILT	01/26/2001	CP	JBD
1	ISSUED FOR PRODUCTION	12/18/2000	CP	JBD
A	ISSUED FOR APPROVAL	12/15/2000	CP	JBD

BC Brittanla Compressor
 GE FRANKLIN LTD
 Calgary, Alberta

TITLE: GENERAL ARRANGEMENT
 (LeROI G1010H-F/WEG 30HP/AG AOC75)
 FOR: MURPHY OIL
 CALGARY

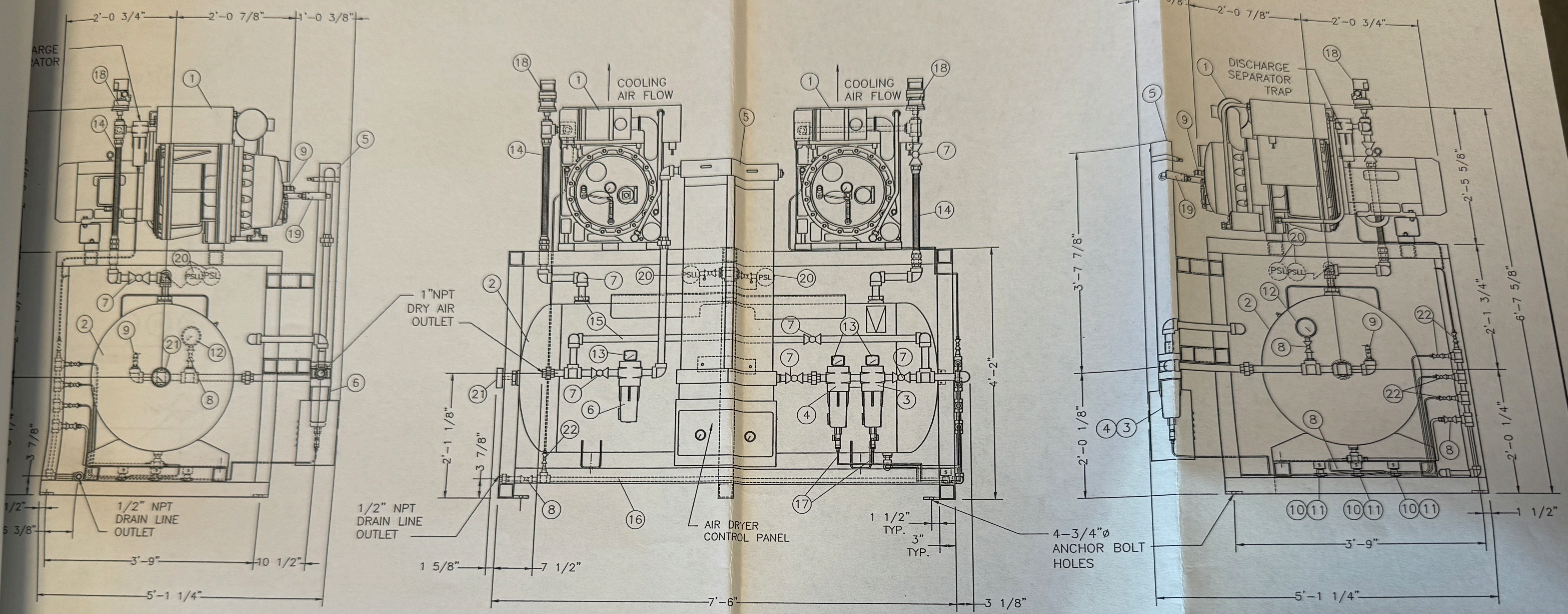
LIST OF MATERIALS

ENMARK INC.
C/O TUXTLA GAS ENGINEERING

PURCHASE ORDER No. 1213-P-022

CHAMCO INDUSTRIES LTD.
INSTRUMENT AIR COMPRESSOR PACKAGE
REFER TO DRAWING No. C1004615-01
TO C1004615-02

ITEM	QTY	DESCRIPTION
1	2	SULLAIR MODEL No. ES8 MD -15H AC/AC ROTARY SCREW AIR COMPRESSOR RATED FOR 57 ACFM AT 125 PSIG c/w THE FOLLOWING, 15 HP AT 1800 RPM, TEFC WEG MOTOR ENCLOSURE, 460 VOLT / 3 PHASE / 60 Hz ELECTRIC MOTOR WITH CLASS I DIV II GR. C&D, 1.15 SERVICE FACTOR, AIR COOLED OIL COOLER, AIR COOLED AFTER COOLER, 316 STAINLESS STEEL CONTROL TUBING WITH SWAGELOK CAD PLATED TUBE FITTINGS, STAINLESS STEEL RELIEF VALVES (ITEM #9), SUMP / SEPARATOR RELIEF VALVE, HEAVY DUTY INTAKE AIR FILTER, FILLED WITH SULLUBE 32 (8000 HOUR COMPRESSOR FLUID), INTEGRAL DISCHARGE CHECK VALVE, DISCHARGE SEPARATOR, DISCHARGE AIR PRESSURE & TEMPERATURE GAUGES.
2	1	STEEL FAB MODEL No. A10038, 240 GALLON HORIZONTAL WET AIR RECEIVER c/w SADDLE MOUNTING FEET, 30" O.D. x 84" LONG, RATED FOR A MAWP OF 200 PSIG AT 400°F, ASME LABELLED, CRN REGISTRATION No. FOR USE ACROSS CANADA AND ALBERTA BOILER BRANCH REGISTRATION NUMBER.
3	1	DOMNICK HUNTER MODEL No. AO-0080G, 1ST STAGE PREFILTER RATED AT 1.0 MICRON FILTRATION FOR 127 SCFM AT 100 PSIG., c/w SIGHT GLASS ASSEMBLY AND A MAWP OF 230 PSIG.
4	1	DOMNICK HUNTER MODEL No. AA-0080G, 2ND STAGE PREFILTER RATED AT 0.01 MICRON FILTRATION FOR 127 SCFM AT 100 PSIG., c/w SIGHT GLASS ASSEMBLY AND A MAWP OF 230 PSIG.
5	1	DOMNICK HUNTER MODEL No. DM060P, HEATLESS REGENERATIVE AIR DRYER RATED FOR 130 SCFM AT 102 PSIG INLET PRESSURE FOR A -40°C PRESSURE DEWPOINT, PURGE EXHAUST MUFFLERS, FACTORY SET ADJUSTABLE PURGE VALVE, REPLACEABLE DESICCANT, AUTOMATIC REPRESSURIZATION CYCLE, INDIVIDUAL TOWER PRESSURE GAUGES, DISCHARGE COLOUR CHANGE MOISTURE INDICATOR AND RATED FOR A MAWP OF 152 PSIG.
6	1	DOMNICK HUNTER MODEL No. AR-0080G, SINGLE STAGE AFTERFILTER RATED AT 1.0 MICRON FILTRATION FOR 127 SCFM AT 100 PSIG., c/w SIGHT GLASS ASSEMBLY AND MANUAL DRAIN ASSEMBLY AND A MAWP OF 230 PSIG.
7	6	VALVE-TEC, 1" NPT FULL PORT BALL VALVES c/w STAINLESS STEEL BODY, STAINLESS STEEL BALL, TEFLON SEATS AND RATED FOR 2000 PSI W.O.G.
8	7	VALVE-TEC, 1/2" NPT FULL PORT BALL VALVES c/w STAINLESS STEEL BODY, STAINLESS STEEL BALL, TEFLON SEATS AND RATED FOR 2000 PSI W.O.G.
9	3	KINGSTON FIGURE No. 112C, 1/2" NPT PRESSURE RELIEF VALVE, IN STAINLESS STEEL CONSTRUCTION AND CRN REGISTRATION NUMBER FOR CANADA. - ONE RELIEF VALVE INSTALLED ON EACH COMPRESSOR, SET FOR 200 PSIG AT 183 CFM. - ONE RELIEF VALVE INSTALLED ON WET AIR RECEIVER, SET FOR 150 PSIG AT 140 CFM.
10	3	DOMNICK HUNTER MODEL No. 36/01, DRAIN BLOCK VALVE & STRAINER ASSEMBLY c/w 1/2" NPT INLET & 3/8" NPT OUTLET CONNECTIONS AND MAWP OF 150 PSIG.
11	3	ASCO MODEL No. 3WAY EF8320G231, 1/4" NPT SOLENOID VALVE, RATED FOR A MAWP OF 160 PSIG, 2 WAY NORMALLY CLOSED VALVE, 24VDC SOLENOID, NEMA 7 & 9 ENCLOSURE AND CSA APPROVED, CLASS I DIV II GR. C&D.
12	1	MARSH PRESSURE GAUGE MODEL No. H10954P, PRESSURE GAUGE c/w 1/2" NPT CONNECTION, 4" DIAMETER FACE, DUAL SCALE 0 TO 200 PSIG RANGE, LIQUID FILLED AND STAINLESS STEEL CONSTRUCTION.
13	3	DOMNICK HUNTER MODEL No. DPG, DIFFERENTIAL PRESSURE GAUGE, FOR FILTER SERVICE INDICATION AND RATED FOR A MAWP OF 230 PSIG.
14	2	1" NPT DISCHARGE FLEX CONNECTOR, SINGLE BRAIDED HYDRAULIC HOSE c/w 3/4" NPT END CONNECTORS, ONE END WITH A SWIVEL AND RATED FOR A MAWP OF 1500 PSIG.
15	-	1" NPT PIPING, SCH. 80, ASTM A-106, GRADE B, SEAMLESS CARBON STEEL GALVANIZED THREADED PIPE c/w 3000 LBS., ASTM A-105N, CARBON STEEL GALVANIZED THREADED FITTINGS.
16	-	1/2" NPT PIPING, SCH. 80, ASTM A-106, GRADE B, SEAMLESS CARBON STEEL GALVANIZED THREADED PIPE c/w 3000 LBS., ASTM A-105N, CARBON STEEL GALVANIZED THREADED FITTINGS.
17	-	1/4" O.D. x 0.035" WALL, 316 STAINLESS STEEL TUBING c/w SWAGELOK CAD PLATED TUBE FITTINGS WITH STAINLESS STEEL FERRULES.
18	2	ASCO TRI POINT MODEL No. SA12D-TG10A11, EXPLOSION PROOF PRESSURE SWITCH, RATED FOR A MAWP OF 400 PSIG, ADJUSTABLE SET POINT PRESSURE RANGES, 6 TO 200 PSIG OPERATING RANGE, 12 PSIG ADJUSTABLE DEADBAND AND CSA APPROVED, CLASS I DIV II GR. C&D. (STOP/START)
19	2	CUSTOM CONTROL SENSORS MODEL No. 6900TE16, DUAL-SNAP EXPOSION PROOF TEMPERATURE SWITCH, RANGE FROM 185°F TO 315°F, FIXED 5°F DEADBAND, SET AT 212°F ON INCREASING, 11 AMP SIGNAL, c/w STAINLESS STEEL THERMOWELL AND CSA APPROVED, CLASS I DIV II GR. C&D. (HIGH TEMP. SHUT-DOWN)
20	2	CUSTOM CONTROL SENSOR MODEL No. 6900GE16, DUAL SNAP EXPLOSION PROOF PRESSURE SWITCH, MAWP OF 1500 PSIG. CSA APPROVED, CLASS I DIV II GR. C&D. - PSL SET AT 90 PSIG FALLING. - PSL SET AT 75 PSIG FALLING.
21	1	TREND MODEL No. 52025, TEMPERATURE GAUGE c/w 1/2" NPT ADJUSTABLE ANGLE CONNECTION, 5" DIAMETER FACE, DUAL SCALE 0 TO 250°F RANGE, HERMETICALLY SEALED, STAINLESS STEEL CONSTRUCTION AND A STAINLESS STEEL THERMOWELL. (SHIPPED LOOSE)
22	5	VALVE-TEC, 1/4" NPT FULL PORT BALL VALVES c/w STAINLESS STEEL BODY, STAINLESS STEEL BALL, TEFLON SEATS AND RATED FOR 2000 PSI W.O.G.



GENERAL NOTES:
 - REFER TO CORRESPONDING ITEM NUMBER ON THE ATTACHED LIST OF MATERIAL, FOR A COMPLETE DESCRIPTION OF THE TAGGED ITEMS.

FINISH SPECIFICATIONS:
 THE AIR RECEIVERS & FRAME ASSEMBLY WILL BE PRIME PAINTED WITH ONE COAT OF INDUSTRIAL PRIMER AND FINISH PAINTED WITH TWO COATS OF SULLAIR GREEN INDUSTRIAL ENAMEL.

PACKAGE WEIGHT
 TOTAL WEIGHT OF PACKAGE = 3501 LBS. (1588 Kgs.)

GENERAL NOTES:
 ALL DIMENSIONS ARE + OR - 1/2"

CERTIFIED AS BUILT
 CHAMCO INDUSTRIES LTD.

REV.	DATE	BY	DESCRIPTION
3	04.05.02	GM	REVISED TO "CERTIFIED AS BUILT"
2	04.02.02	GM	REVISED TO "CERTIFIED FOR CONSTRUCTION"
1	03.20.02	GM	REVISED TO "CERTIFIED FOR CONSTRUCTION"

DESIGNED BY	D.C.G.	 CHAMCO INDUSTRIES LTD. VANCOUVER - CALGARY - EDMONTON - PRINCE GEORGE
DRAWN BY	G.R.M.	
CHECKED BY	<i>[Signature]</i>	
JOB No.	1004598ABS	ENERMARK INC.
THIS PRINT IS THE PROPERTY OF CHAMCO INDUSTRIES LTD. IS CONFIDENTIAL. IS LENT ONLY FOR REFERENCE IN EQUIPMENT MAINTENANCE OR IN DEALING WITH CHAMCO INDUSTRIES LTD. AND IS NOT TO BE COPIED OR REPRODUCED WITHOUT OUR EXPRESS WRITTEN PERMISSION		C/O TUXTLA GAS ENGINEERING CALGARY, ALBERTA PURCHASE ORDER No. 1213-P-022
SCALE	N.T.S.	SULLAIR ES8 MD 15H-AC/AC AIR COMPRESSOR RATED FOR 57 ACFM AT 125 PSIG DOMNICK HUNTER DME060 HEATLESS AIR DRYER GENERAL ARRANGEMENT DRAWING
DATE	13 MAR 2002	DWG No. C1004615-01
REV.	3	

SHOP TEST RUN CERTIFICATE

CUSTOMER: ENMARK INC. 40 TUXTLA CUSTOMER P.O.: 1213-P-022

SALES ORDER No: 1004598 ABS WORK ORDER No: C1004615

COMPRESSOR MAKE/MODEL: ES8MD SERIAL No's: _____

RATED COMPRESSOR CAPACITY: 57 ACFM RATED PRESSURE: 125 PSIG

RATED POWER EACH: 15 HP, 460 VOLTS, 3 PHASE, 60 CYCLES

DRYER MAKE/MODEL: D-H / DM060P SERIAL No's: _____

RATED DRYER CAPACITY: 130 SCFM RATED PRESSURE: 102 PSIG

RECEIVER SIZE: 240 GALLON SERIAL No: 273080 "A" No: 473115

Req'd?	Description	Completed ?	Initial
	Dimensional check, customer connections	✓	PL
	Air pressure test piping to <u>125</u> psi for <u>20</u> min	✓	JS
	Shop voltage per phase: <u>482 / 484 / 484</u> :	✓	PL
	Check rotation and ensure sticker / mark affixed	✓	JS
	Control power voltage: <u>119</u> :	✓	PL
	Check end device electrical function	✓	
	Calibrate temperature switches / transducers	✓	
	Calibrate pressure switches / transducers	✓	
	Set temp. switch at <u>212</u> °F / C, machine <u>A</u>	FIXED	
	Set temp. switch at <u>212</u> °F / C, machine <u>B</u>	FIXED	
	Set pressure switch at _____ psi / kpa, machine _____	N/A	
	Set pressure switch at _____ psi / kpa, machine _____	N/A	
	Set pressure regulators below pressure switches	✓	JS
	Run machine for 15 minutes, machine <u>A</u>	✓	PL
	Run machine for 15 minutes, machine <u>B</u>	✓	
	Current / phase: <u>196 / 196 / 204</u> , machine <u>A</u>	✓	
	Current / phase: <u>202 / 204 / 204</u> , machine <u>B</u>	✓	
	Max observed temp: <u>175</u> °F / C machine <u>A</u>	✓	
	Max observed temp: <u>150</u> °F / C machine <u>B</u>	✓	
	Check for no air leaks	✓	JS
	Check for no fluid leaks	✓	JS

Tested by: PAUL LOZINSKI Tester Initial: PL Date: APRIL 4, 2002

Witness (Y / N): (N) Witness Name: _____ Witness Initial: _____