

# PHASOR™ VSD TRANSFORMER

## PATENTS 6,734,772 AND 6,787,704

THIS TRANSFORMER IS DESIGNED SPECIFICALLY TO INTERFACE BETWEEN A VARIABLE SPEED DRIVE AND AN ELECTRIC SUBMERSIBLE PUMP. IT IS ALSO SUITABLE FOR OTHER STEP-UP OR STEP DOWN APPLICATIONS.

THIS PLATE DISPLAYS THE BASIC RATINGS. SEE OTHER INFORMATION PLATES FOR ADDITIONAL RATINGS AND INFORMATION.

**165 KVA 3 PHASE 60 HERTZ 65°C RISE**

	VOLTS	AMPS	CONDUCTOR	BIL
LOW	480	198	CU	30
HIGH	969 - 3837	98 - 25	CU	60

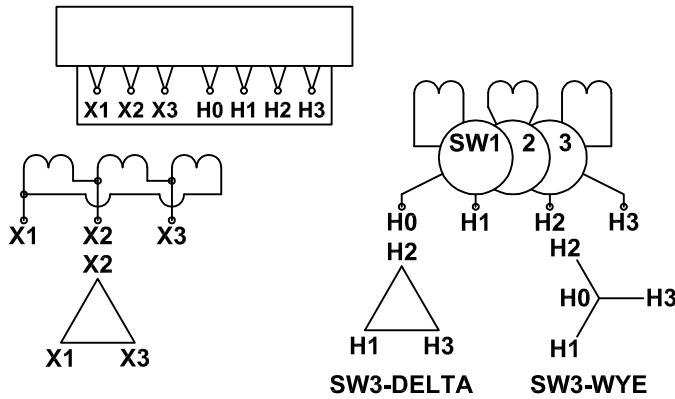
2.3 % IMPEDANCE @ 85°C

1.3 % RESISTANCE 1.9 % REACTANCE

134 GAL. MINERAL OIL NON-PCB CLASS OA TANK IS DESIGNED FOR 7 PSIG

OIL LEVEL IS 4" BELOW THE LID AT 25°C  
OIL LEVEL CHANGES 0.32" PER 10°C


TOTAL MASS	2782 LB.
OIL MASS	1006 LB.
UNTANKING MASS	1191 LB.
TANK AND FITTINGS MASS	585 LB.



BARCODE THE 13 DIGITS OF P.N. ONLY IN FORMAT 128, 0.25" HEIGHT HUMAN READABLE TEXT, WITH DASHES, IN 0.1" HEIGHT USE BLACK BARCODE



GENERAL TOLERANCES (UNLESS OTHERWISE SPECIFIED LINEAR ± .063 IN (1/16) WIEDAMATIC ± .031 IN DIAGONAL ± .093 IN (3/32) PORCELAIN ± .03 PER IN				
REV.	DATE	REVISION	BY	APP.
C	11/02/10	CHANGED LOGO	ST	ST
B	12/23/09	ADDED BARCODE	ST	ST
A	6/18/05	REMOVED APP STAMP; REISSUED AS RECORD	TB	

TAPS 			
MADE IN USA			
NAME:	T.A.P.S. VSD NAMEPLATE 1	c.c.	714
DESCR:	9922410039047		
	3WBT9501	61506033.983	
SCALE	1.000	DWG BY	TB
	CHK BY		DATE 04/23/05