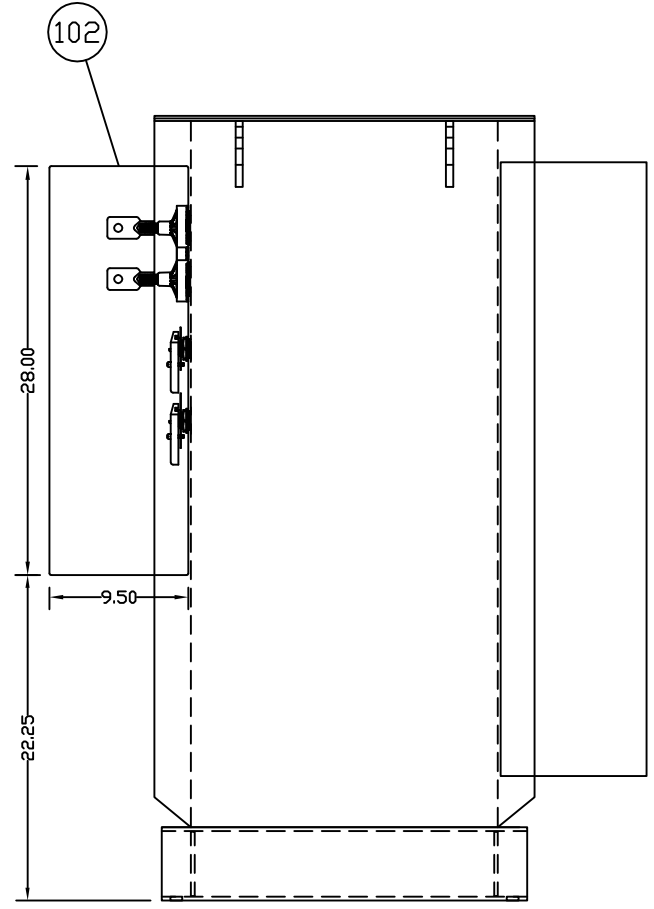
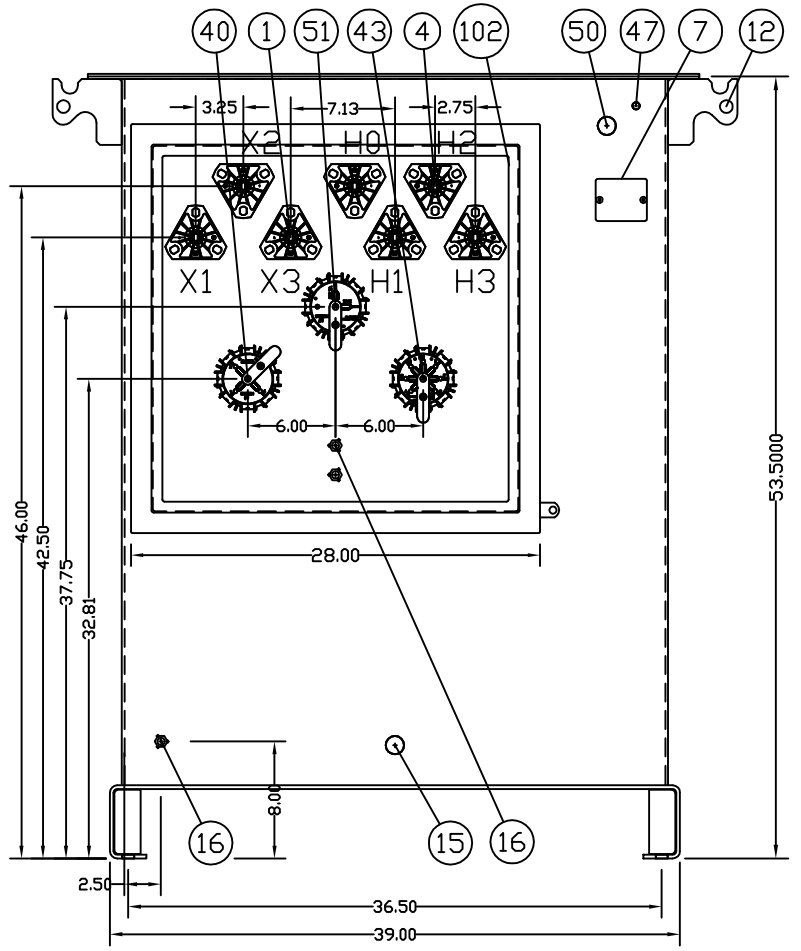
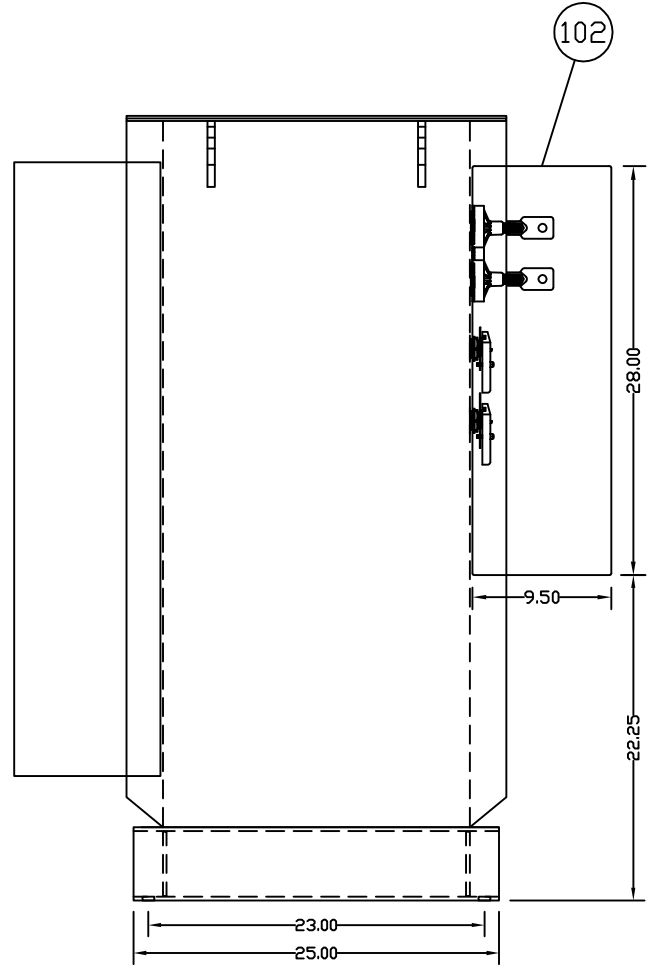
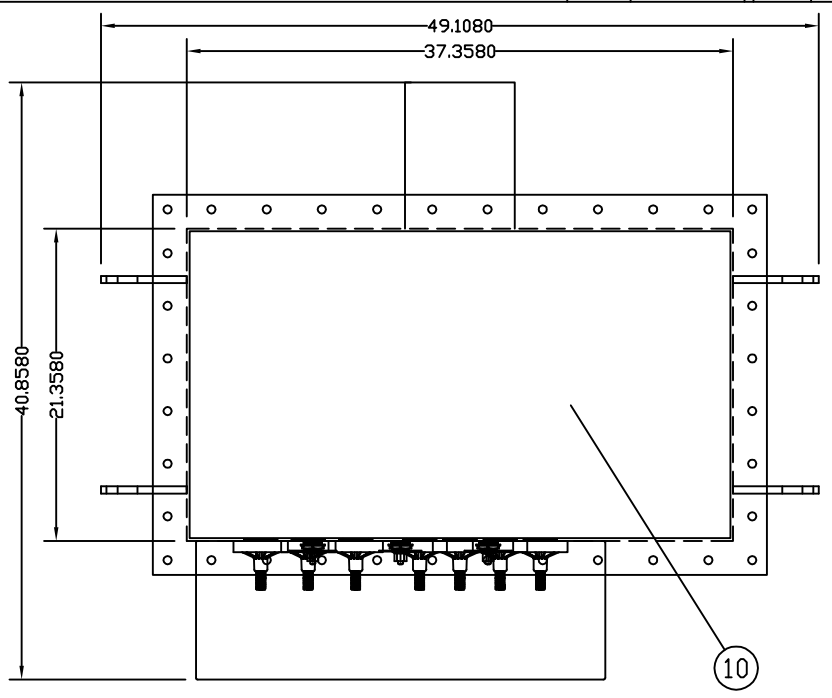


REV	DESCRIPTION	BY	DATE	REV	DESCRIPTION	BY	DATE	REV	DESCRIPTION	BY	DATE
A	REMOVED INTERNAL DRAWINGS OF SWITCHES AND BUSHINGS	DE	6/5/08	B	CHANGED LOGO	ST	11/02/10				

DESCRIPTION	
1	LVB 30BIL HI .625" STUD
4	HVB TAPS 60BIL 0.625" STUD
7	NP & SN ON TANK
8	TANK
9	COOLING RADIATORS
10	BOLTED HANDHOLE COVER
11	COVER LIFTING LUG
12	LIFTING LUGS
13	JACKING PROVISIONS
14	2 HOLE HORIZ NEMA GRD PAD
15	1 IN PIPE PLUG
40	TAPS COURSE SW. #1
43	TAPS FINE SW. #2
47	PRESS. REL VALVE
50	OIL LEVEL PLUG
51	TAPS D-Y SW. #3
102	JUNCTION BOX

CUSTOMER :	
SPEC.	DATED
KVA 165.0 BIL 60 TAPS NONE	
HIGH VOLTAGE	2215
LOW VOLTAGE	480
APPROX. CORE AND COIL WEIGHT	1191
APPROX. TANK AND ACCESS. WEIGHT	585
GAL. OF OIL 134 ;	APPROX. WEIGHT 1006
APPROX. TOTAL WEIGHT	2782



SPECIAL NOTES	
A	
B	
C	
D	
E	

XX9999999 \$7SBA295



NAME:	CC	745
CAT. NO.	9922410039047	
ID.	3TRWMA15	PN. 368061-6712
SCALE	0.075	DWG BY RW
CHK BY		DATE: 04/28/05