


PLAN VIEW
SCALE 1" = 1'-0"

TOTAL WEIGHT = 30,200 LBS.

CUSTOMER CONNECTION SCHEDULE		
MARK	DESCRIPTION	SERVICE
A	2" 600# RF	GAS INLET
B	3" 600# RF	GAS OUTLET
C	2" 600# RF	OIL INLET
D	3" 600# RF	OIL OUTLET
E	2" 600# RF	DRAIN
F	2" 600# RF	BLOWDOWN
G	1" 3000# NPT	PSV OUTLET
H	1" 3000# NPT	POWER GAS INLET

REV. No.	DESCRIPTION	DRAWN BY	CHK'D BY	APP'D BY	DATE
0	ISSUED FOR CONSTRUCTION	CJC	CLB	SC	5/29/19



PRODUCTION FACILITY EQUIPMENT CO.
28010 FM 2978
MAGNOLIA, TEXAS 77354

TITLE: 42" O.D. X 20'-0" VERTICAL BLOWCASE

GENERAL ARRANGEMENT

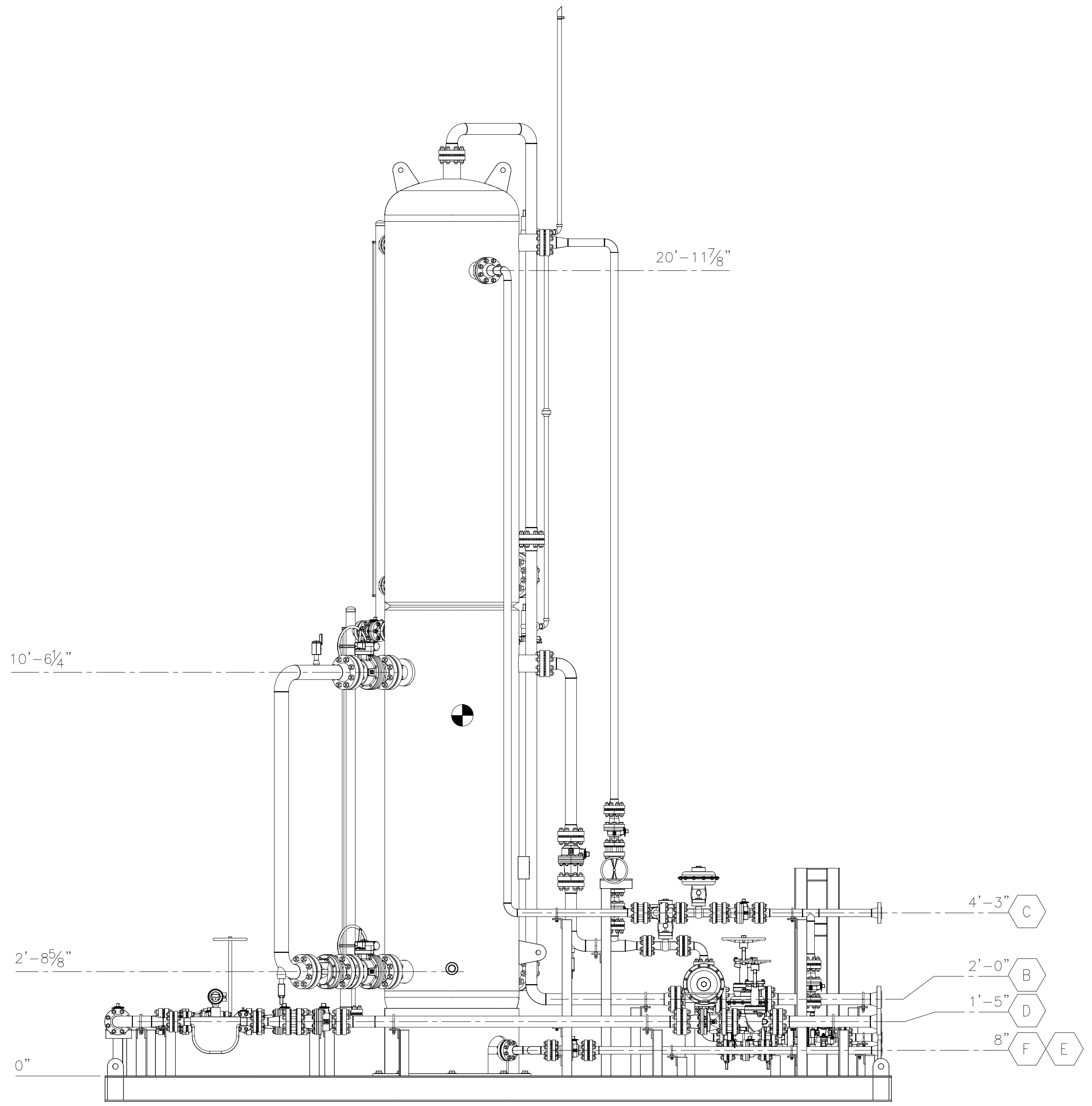
CUSTOMER: DJR OPERATING LLC

JOB#: 1132-1133 DWG NO. 99562475-101

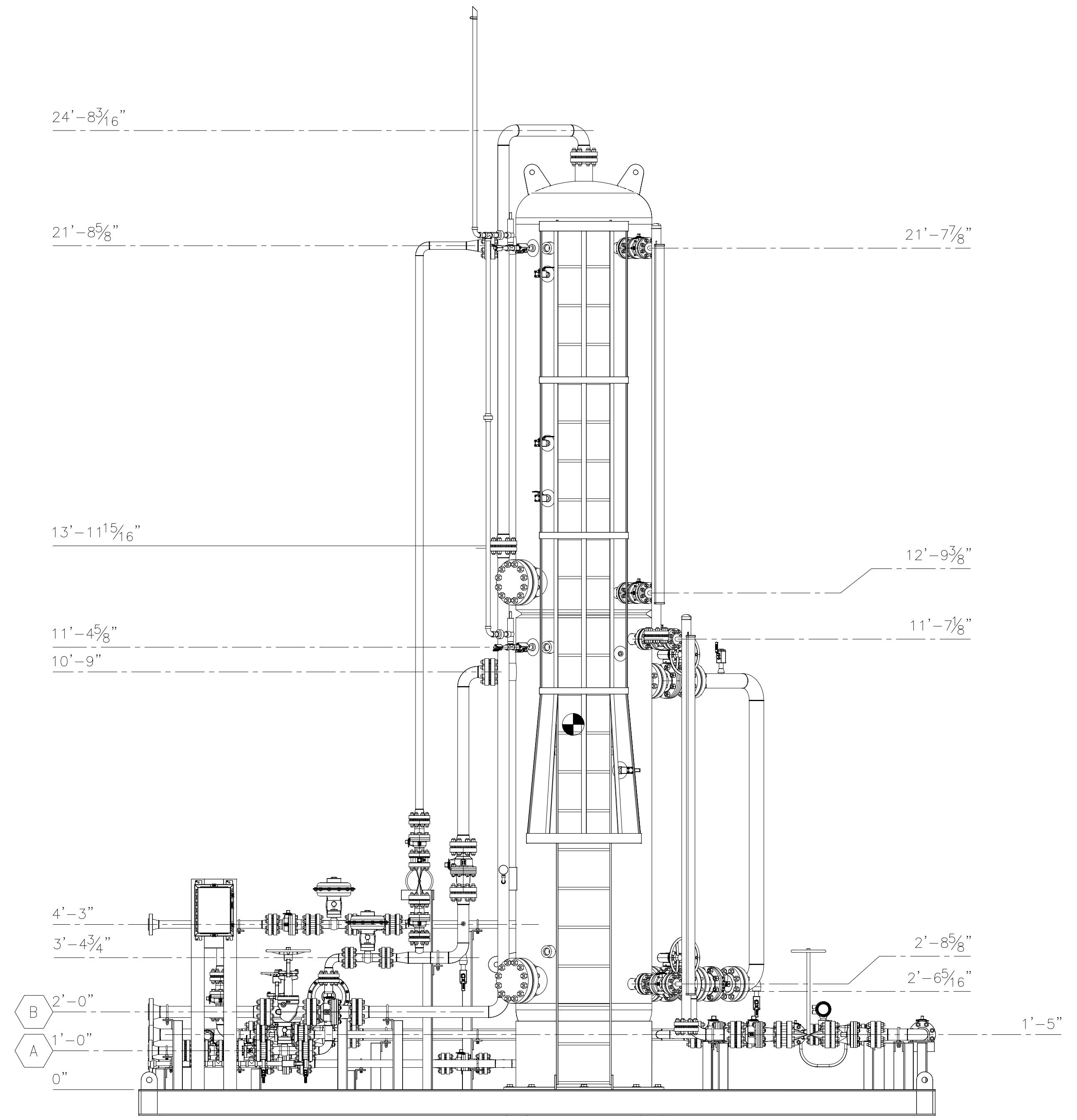
SCALE: 1" = 1'-0" TAG: SHT. NO. 1 OF 4 REV. NO. 0

1 2 3 4 5 6 7 8 9 10 11

A B C D E F G H I J K




FRONT ELEVATION
SCALE 1/2" = 1'-0"



BACK ELEVATION
SCALE 1/2" = 1'-0"

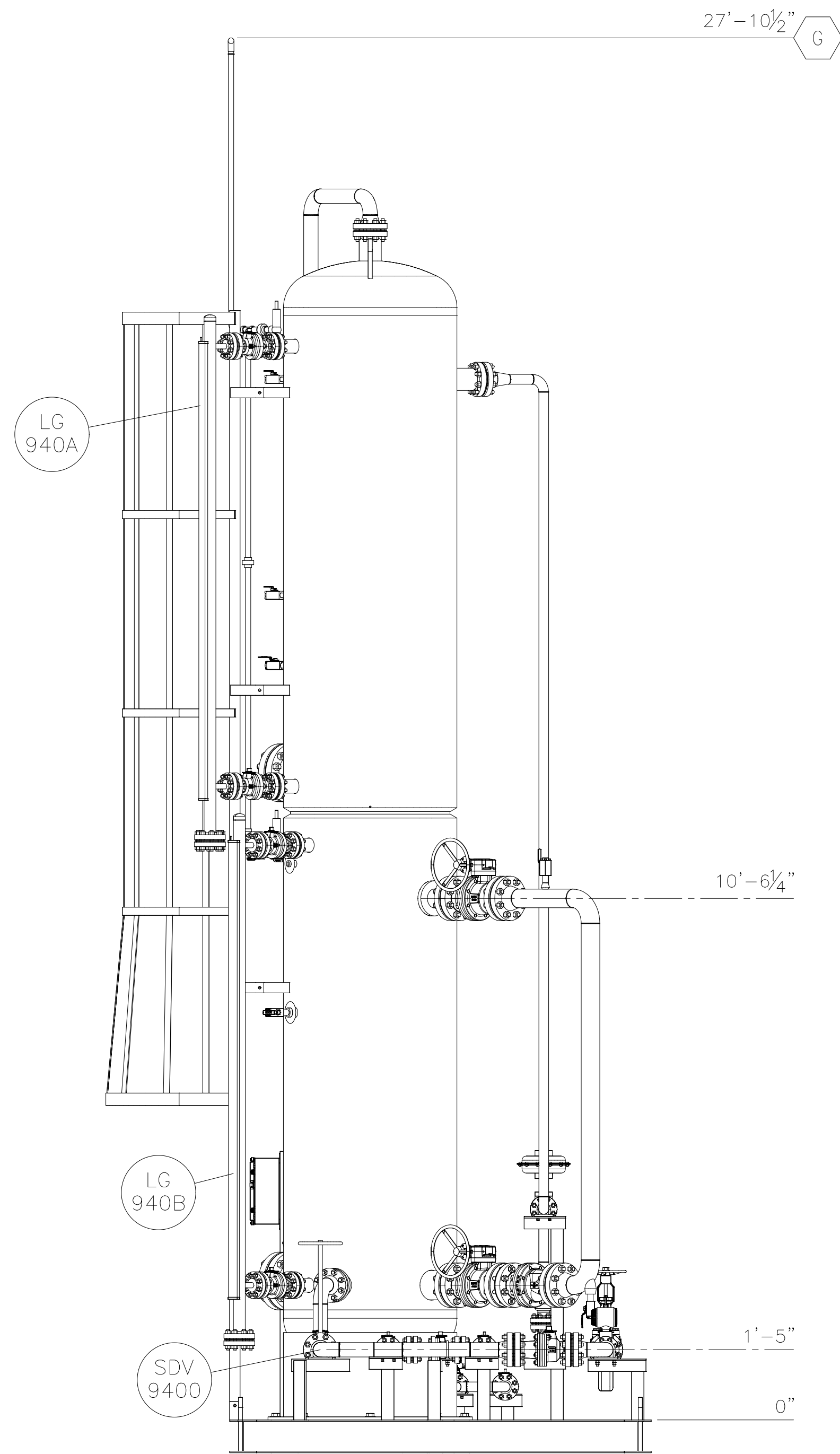
CUSTOMER CONNECTION SCHEDULE		
MARK	DESCRIPTION	SERVICE
A	2" 600# RF	GAS INLET
B	3" 600# RF	GAS OUTLET
C	2" 600# RF	OIL INLET
D	3" 600# RF	OIL OUTLET
E	2" 600# RF	DRAIN
F	2" 600# RF	BLOWDOWN
G	1" 3000# NPT	PSV OUTLET
H	1" 3000# NPT	POWER GAS INLET

9						 PRODUCTION FACILITY EQUIPMENT CO. 28010 FM 2978 MAGNOLIA, TEXAS 77354		
8								
7						TITLE		
6						8'-6" X 20'-6" SKID		
5						42" O.D. X 20'-0" VERTICAL BLOWCASE		
4						GENERAL ARRANGEMENT		
3						CUSTOMER		
2						DJR OPERATING LLC		
1						JOB#:		
0	ISSUED FOR CONSTRUCTION	CJC	CLB	SC	5/29/19	1132-1133		
REV. No.	DESCRIPTION	DRAWN BY	CHK'D BY	APP'D BY	DATE	DWG NO.		
						99562475-101		
THIS DRAWING CONTAINS PROPRIETARY INFORMATION OF PRODUCTION FACILITIES EQUIPMENT CO., INC. USE, DUPLICATION OR DISCLOSURE, IN WHOLE OR IN PART, IS STRICTLY PROHIBITED WITHOUT THE EXPRESS WRITTEN PERMISSION OF AN AUTHORIZED REPRESENTATIVE OF PFEC/INC.						SCALE:	SHT. NO.	REV. NO.
						3/4" = 1'-0"	2 OF 4	0

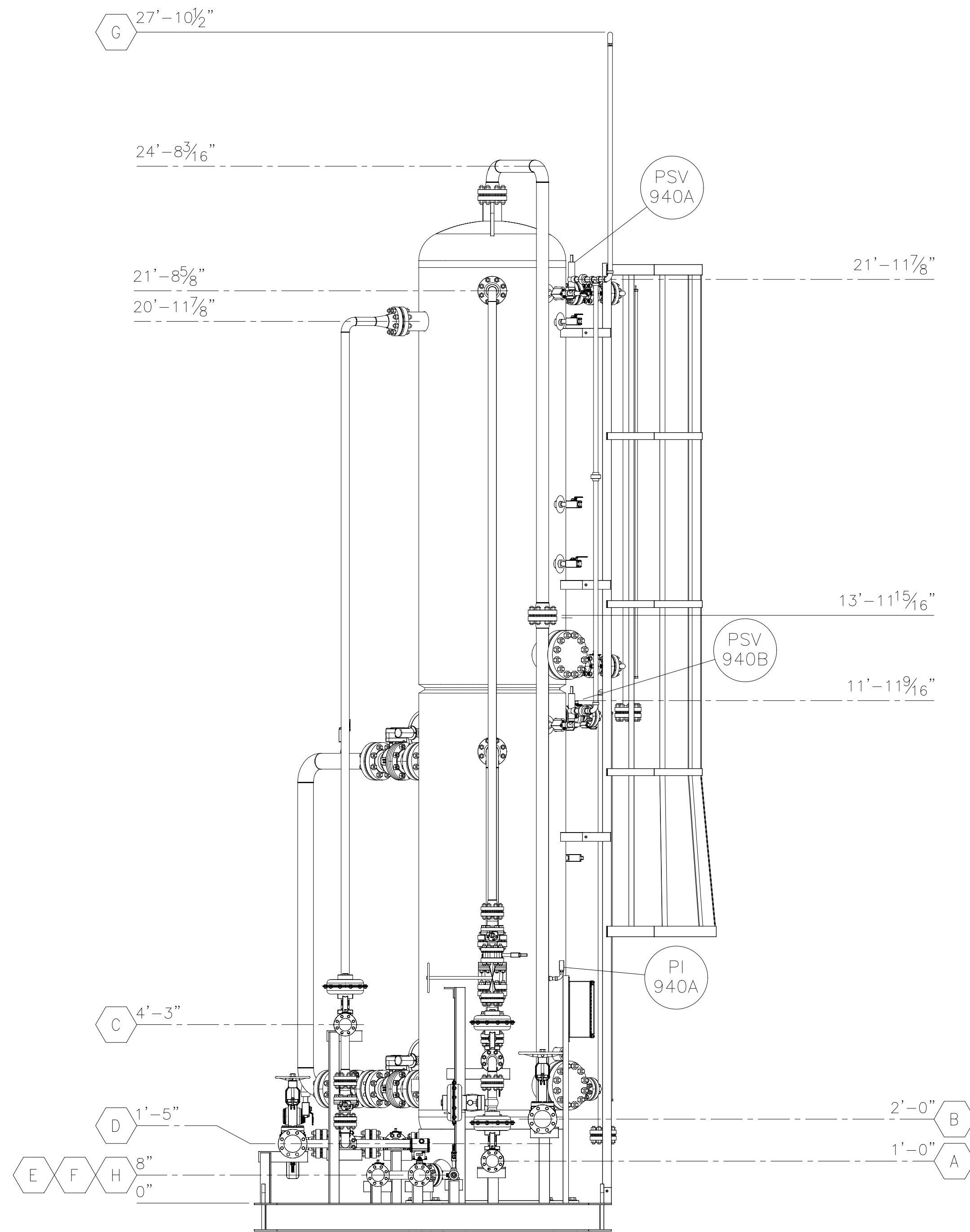
1 2 3 4 5 6 7 8 9 10 11

1 2 3 4 5 6 7 8 9 10 11

A B C D E F G H I J K



LEFT ELEVATION
SCALE 1/2" = 1'-0"



RIGHT ELEVATION
SCALE 1/2" = 1'-0"

CUSTOMER CONNECTION SCHEDULE		
MARK	DESCRIPTION	SERVICE
A	2" 600# RF	GAS INLET
B	3" 600# RF	GAS OUTLET
C	2" 600# RF	OIL INLET
D	3" 600# RF	OIL OUTLET
E	2" 600# RF	DRAIN
F	2" 600# RF	BLOWDOWN
G	1" 3000# NPT	PSV OUTLET
H	1" 3000# NPT	POWER GAS INLET

9					
8					
7					
6					
5					
4					
3					
2					
1					
0	ISSUED FOR CONSTRUCTION	CJC	CLB	SC	5/29/19
REV. No.	DESCRIPTION	DRAWN BY	CHK'D BY	APP'D BY	DATE

PRODUCTION FACILITIES EQUIPMENT CO., INC.
28010 FM 2978
MAGNOLIA, TEXAS 77354

PFEC

TITLE: 8'-6" X 20'-6" SKID
42" O.D. X 20'-0" VERTICAL BLOWCASE
GENERAL ARRANGEMENT

CUSTOMER: DJR OPERATING LLC

JOB#: 1132-1133
DWG NO.: 99562475-101

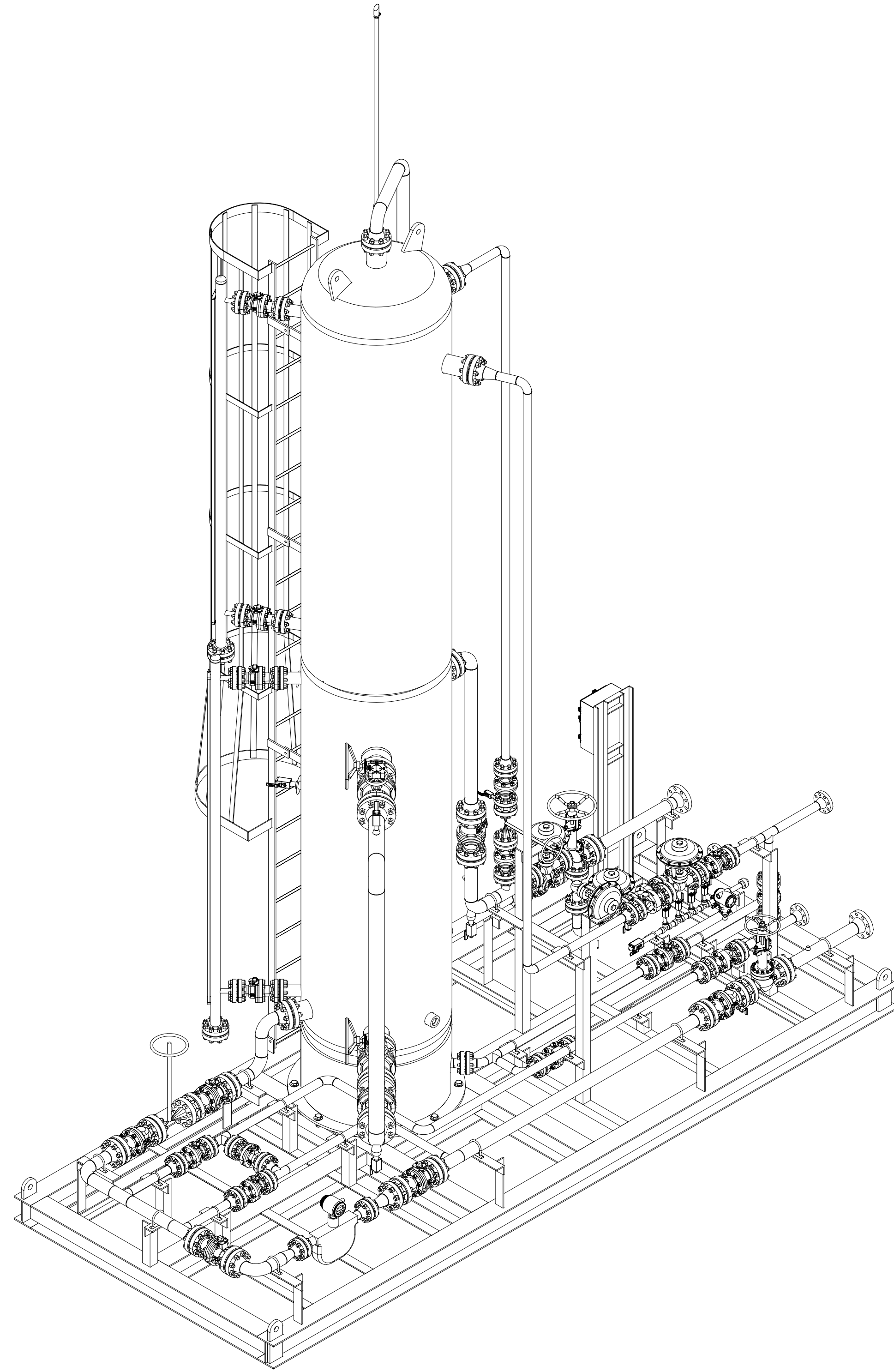
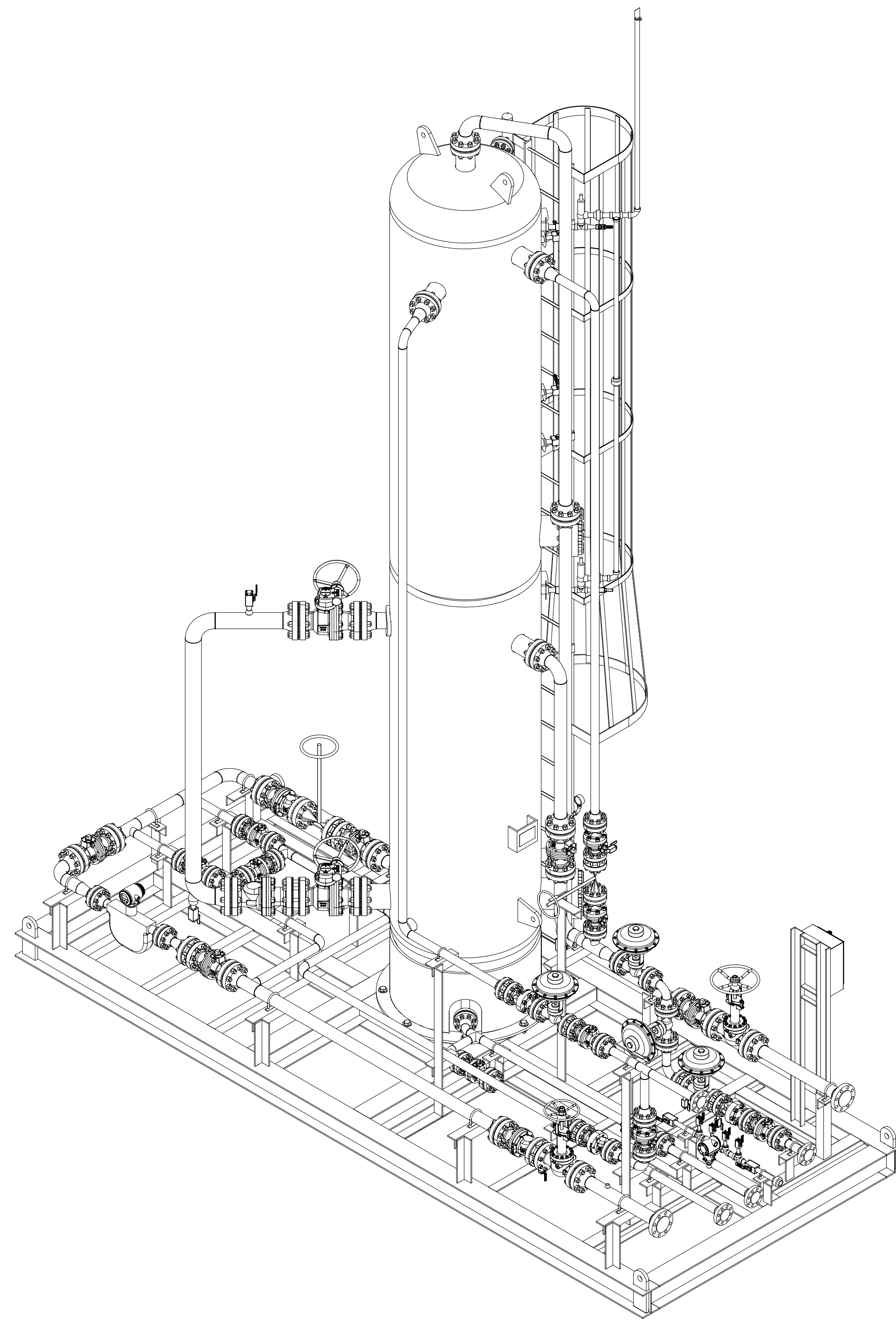
SCALE: 1/2" = 1'-0"

TAG: SHT. NO. 3 OF 4
REV. NO. 0

1 2 3 4 5 6 7 8 9 10 11


K

THIS DRAWING CONTAINS PROPRIETARY INFORMATION OF PRODUCTION FACILITIES EQUIPMENT CO., INC. USE, DUPLICATION OR DISCLOSURE, IN WHOLE OR IN PART, IS STRICTLY PROHIBITED WITHOUT THE EXPRESS WRITTEN PERMISSION OF AN AUTHORIZED REPRESENTATIVE OF PFEC, INC.



ISOMETRIC VIEW
SCALE 1/2" = 1'-0"

CUSTOMER CONNECTION SCHEDULE		
MARK	DESCRIPTION	SERVICE
A	2" 600# RF	GAS INLET
B	3" 600# RF	GAS OUTLET
C	2" 600# RF	OIL INLET
D	3" 600# RF	OIL OUTLET
E	2" 600# RF	DRAIN
F	2" 600# RF	BLOWDOWN
G	1" 3000# NPT	PSV OUTLET
H	1" 3000# NPT	POWER GAS INLET

9						 PRODUCTION FACILITIES EQUIPMENT CO., Inc. 28010 FM 2978 MAGNOLIA, TEXAS 77354	PRODUCTION FACILITY EQUIPMENT CO.
8							8'-6" X 20'-6" SKID
7							42" O.D. X 20'-0" VERTICAL BLOWCASE
6							GENERAL ARRANGEMENT
5							CUSTOMER
4							DJR OPERATING LLC
3							JOB#:
2							1132-1133
1							DWG. NO.
0	ISSUED FOR CONSTRUCTION	CJC	CLB	SC	5/29/19		99562475-101
REV. No.	DESCRIPTION	DRAWN BY	CHK'D BY	APP'D BY	DATE	SCALE: 1/2" = 1'-0"	TAG:
THIS DRAWING CONTAINS PROPRIETARY INFORMATION OF PRODUCTION FACILITIES EQUIPMENT CO., INC. USE, DUPLICATION OR DISCLOSURE, IN WHOLE OR IN PART, IS STRICTLY PROHIBITED WITHOUT THE EXPRESS WRITTEN PERMISSION OF AN AUTHORIZED REPRESENTATIVE OF PFEC, INC.						SHT. NO.	REV. NO.
						4 OF 4	0