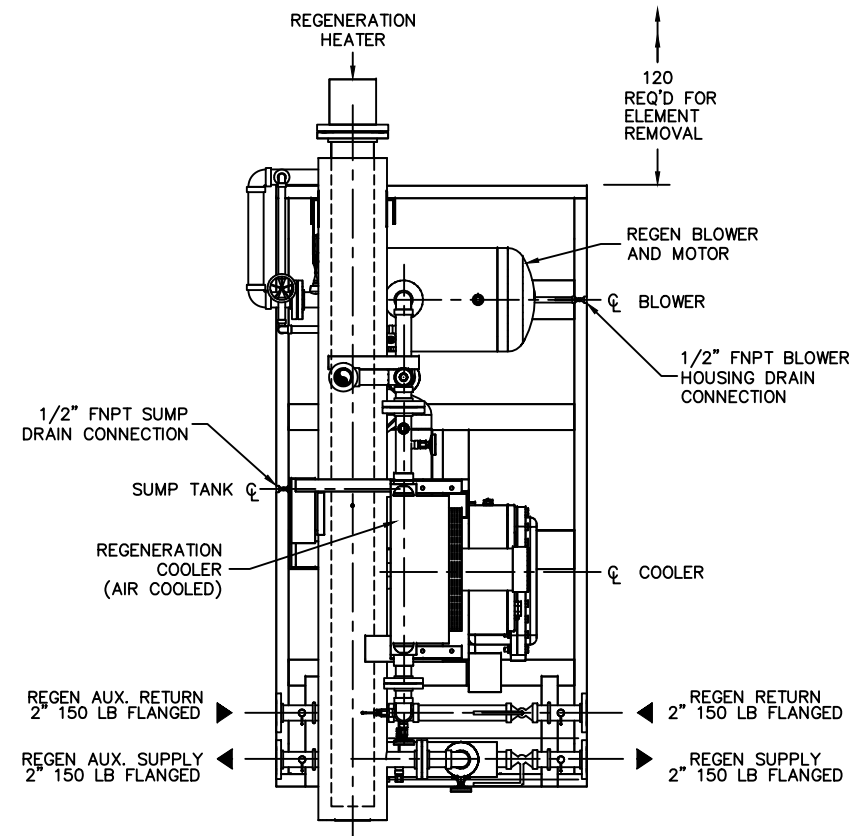
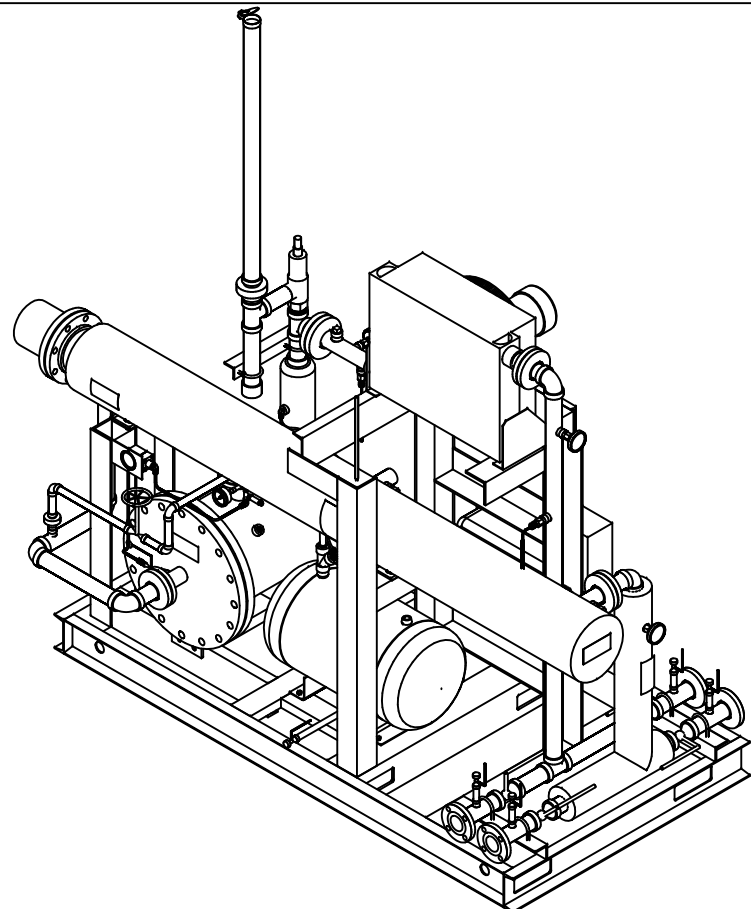


REVISIONS			
LTR	DESCRIPTION	PREPARED	APPROVED

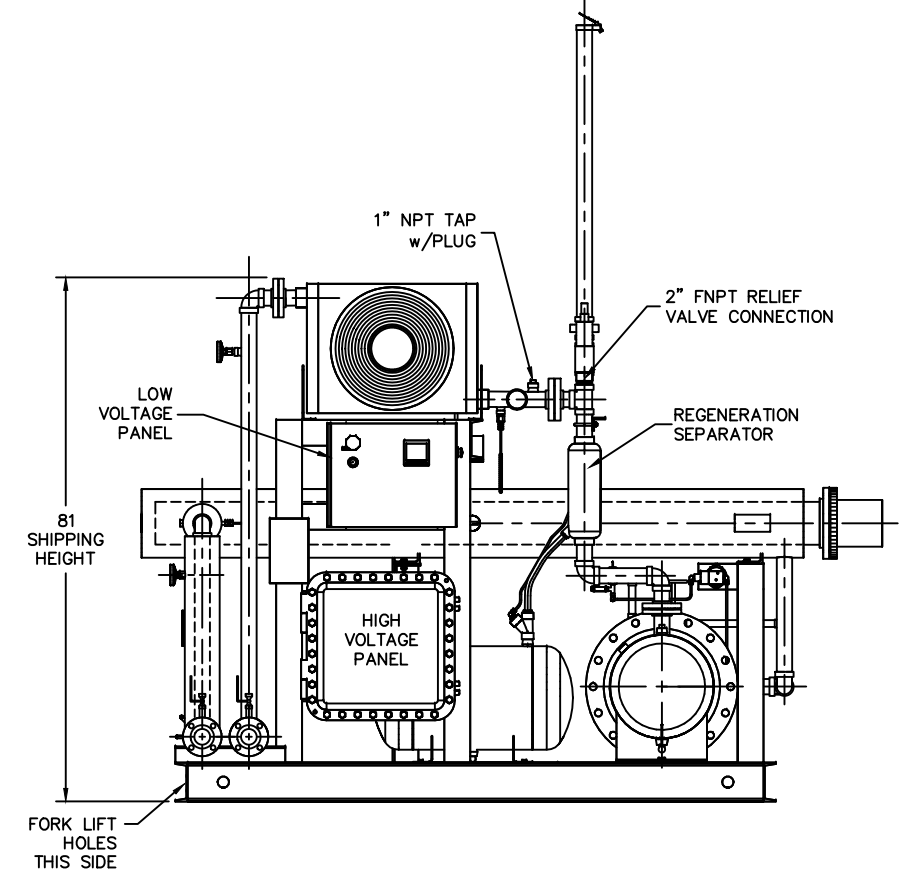
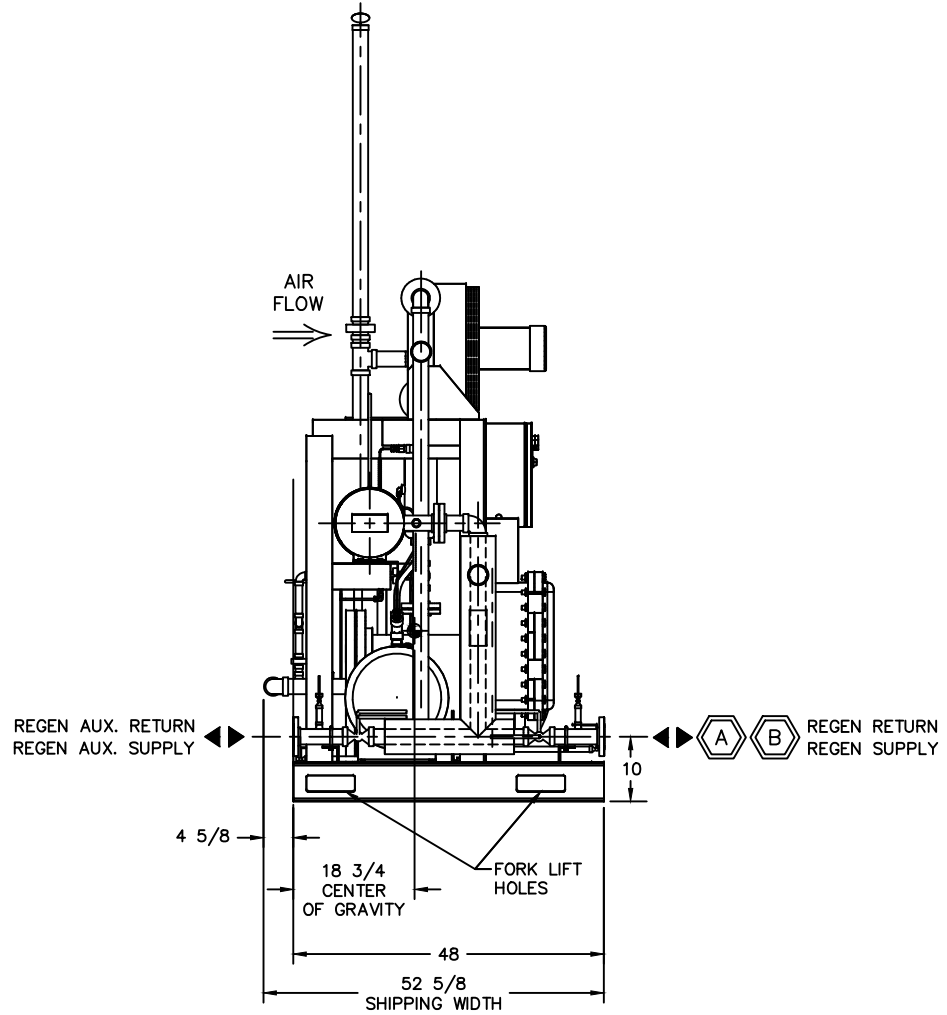
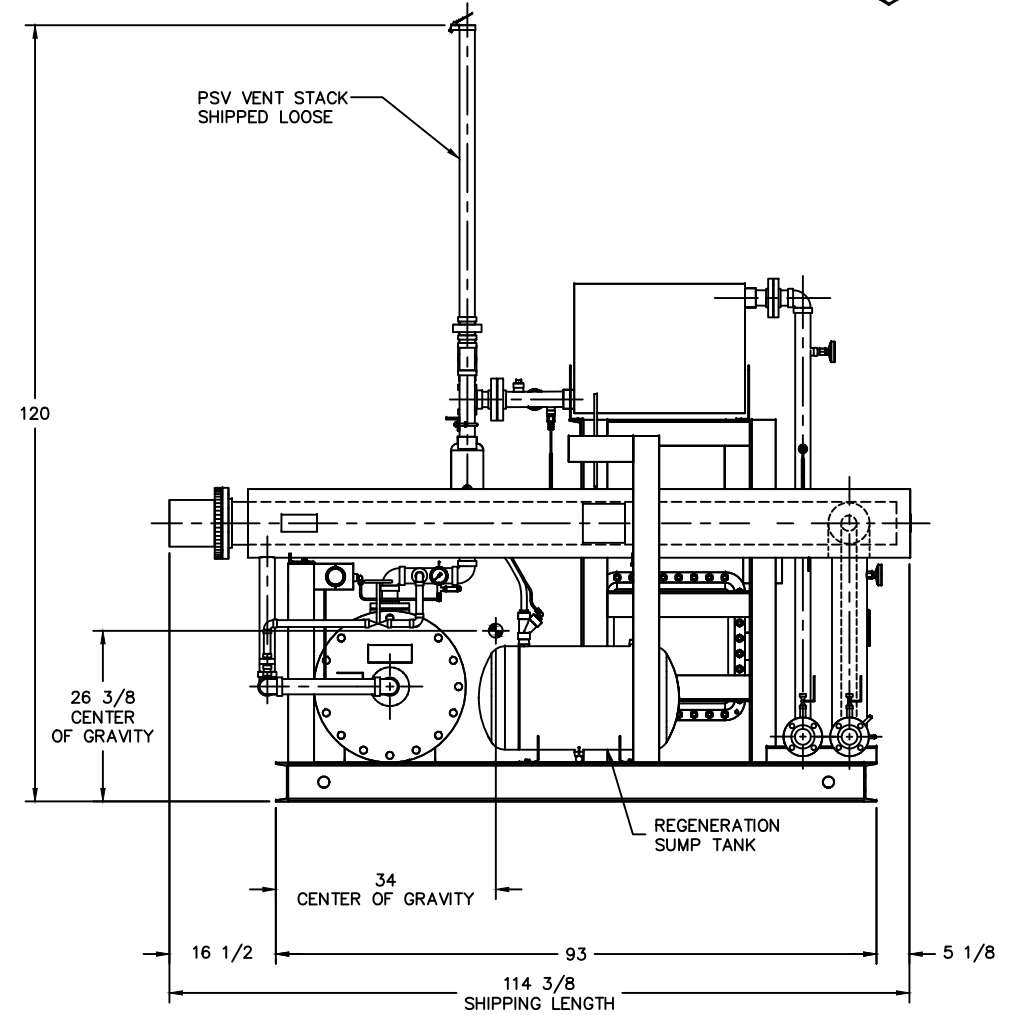


REGENERATION SKID DATA

DESIGN PRESSURE: 200 PSI MWP.
 APPROX. WEIGHT: 2650 LBS.
 ELECTRICAL FLA: 44.3 @ 460V 3PH 60HZ

AREA CLASSIFICATION: NEMA 4/7, CLASS 1, DIV. 2, GROUP D.
 CLEARANCE: ALLOW 36" MINIMUM ON ALL SIDES FOR ACCESS, UNLESS OTHERWISE INDICATED.

ETL
 CSA STD C22.2 No.68
 CSA STD C22.2 No.213
 CSA STD C22.2 No.113
 *CL1, DIV.2, GR D, T2D
 CL1, Z2, JIA



PREPARED	B.BAUER	5/20/22	UNLESS OTHERWISE SPECIFIED DIMENSIONS ARE IN INCHES. DIM. TOLERANCE: 0" - 12" ± 1/16" 12" - 24" ± 1/8" 24" & UP ± 1/4" ANGLES ± 1/2" 3 PLACE DECIMALS ± .005 2 PLACE DECIMALS ± .010	THIS PRINT IS LOANED FOR MUTUAL ASSISTANCE AND AS SUCH IS SUBJECT TO RECALL AT ANY TIME. INFORMATION CONTAINED HEREON IS NOT TO BE DISCLOSED TO OTHER PARTIES NOR REPRINTED IN ANY FORM WITHOUT OUR WRITTEN CONSENT. PROPERTY OF GENERAL AIR DIVISION, PSB INDUSTRIES, INC.
CHECKED	KRM	5/26/22		
APPROVED	KRM	5/26/22		
GENERAL ARRANGMENT MODEL NGR-21U UNIVERSAL REGENERATION SKID				
SIZE	SERIAL NO.	DRAWING NO.	SCALE	
D	420365	420365-G1	SHEET 1 of 1	