

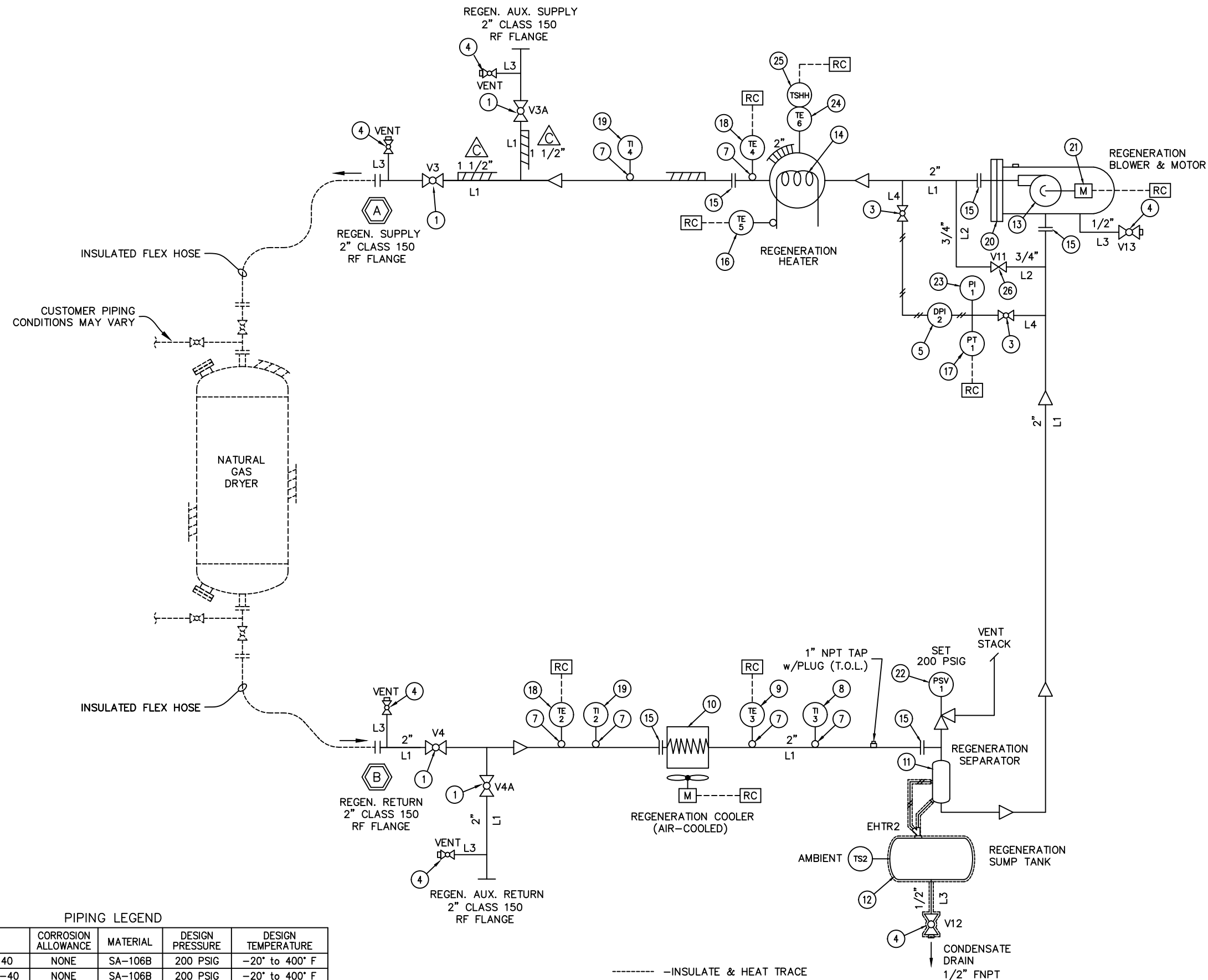
REVISIONS			
LTR	DESCRIPTION	PREPARED	APPROVED

COOLER	
MAWP	DESIGN TEMPERATURE
238 PSIG	-20° F to 400° F

SUMP	
SIZE: 16" OD x 31" LG.	
MAWP	DESIGN TEMPERATURE
200 PSIG	-20° F to 650° F

SEPARATOR	
SIZE: 5" OD x 16 5/8" LG	
MAWP	DESIGN TEMPERATURE
600 PSIG	-20° F to 500° F

BLOWER HOUSING	
SIZE: 16" SCH 30 x 24" LG	
MAWP	DESIGN TEMPERATURE
200 PSIG	-40° F to 400° F



PIPING LEGEND

NO.	SIZE	CORROSION ALLOWANCE	MATERIAL	DESIGN PRESSURE	DESIGN TEMPERATURE
L1	2" SCH-40	NONE	SA-106B	200 PSIG	-20° to 400° F
L2	3/4" SCH-40	NONE	SA-106B	200 PSIG	-20° to 400° F
L3	1/2" SCH-80	NONE	SA-106B	200 PSIG	-20° to 400° F
L4	1/4" SCH-80	NONE	SA-106B	200 PSIG	-20° to 400° F

----- -INSULATE & HEAT TRACE
 [RC] -REGEN. CONTROLS

FIND NO.	QTY REQD	PART NO.	NAME	DESCRIPTION	AB CRN #
26	1	70364-101	GATE VALVE	3/4" SW	OC0580.92
25	1	70305-586	TEMP SWITCH	LIMIT	-
24	1	74073-320	THERMOCOUPLE	TYPE J	-
23	1	70326-740	PRESSURE GAUGE	0 - 200 PSIG	OF02026.2C
22	1	70398-628	RELIEF VALVE	200 PSIG, SET PRESS.	OG09722.2
21	1	70462-311	MOTOR	2 HP, 208/230-460V	-
20	1	71046-1020	GASKET	16" - 150#	-
19	2	70328-049	TEMP. GAUGE	50 - 550° F / 0 - 250° C	-
18	2	74073-324	THERMOCOUPLE	TYPE J, 6" LG. STEM UNGROUNDED	-
17	1	70326-914	PRESSURE TRANSDUCER	1/4" MNPT, 0-200 PSIG.	OF15217.52
16	1	SUPPL'D W/HTR	THERMOCOUPLE	TYPE J, SHEATH	-
15	5	71046-364	GASKET	2" - 150#	-
14	1	74001-510	HEATER	30 KW @ 480V/3PH/60HZ 150#	OH14218.2
13	1	70472-081	BLOWER		-
12	1	70435-086	SUMP TANK	24 GALLON	OF2151.1C
11	1	71034-356	SEPARATOR	2" NPT	OE14786.2
10	1	70302-402-001	AFTERCOOLER	1/2 HP, 460V/3PH/60HZ	OH7426.2
9	1	74073-323	THERMOCOUPLE	TYPE J, 8 1/2" LG. STEM UNGROUNDED	-
8	1	70328-347	TEMP. GAUGE	0 - 180° F / -18 - 82° C	-
7	6	70328-170	THERMOWELL	FOR 4" STEM, SW	OF0956.92
6					
5	1	70326-824	DIFF. PRESS. GAUGE	0-5 PSID	OF7226.52
4	6	74597-1552	BALL VALVE	1/2" NPT	OC08847.2
3	2	74597-1551	BALL VALVE	1/4" NPT	OC08847.2
2					
1	4	74597-1553	BALL VALVE	2" NPT w/ LOCKING HANDLE	OC08847.2
FIND NO.	QTY REQD	PART NO.	NAME	DESCRIPTION	AB CRN #

PARTS LIST

<p>www.PSBINDUSTRIES.com ERIE, PA USA 814-453-3651</p>	PREPARED	B.BAUER	5/20/22	THIS PRINT IS LOANED FOR MUTUAL ASSISTANCE AND AS SUCH IS SUBJECT TO RECALL AT ANY TIME. INFORMATION CONTAINED HEREON IS NOT TO BE DISCLOSED TO OTHER PARTIES NOR REPRINTED IN ANY FORM WITHOUT OUR WRITTEN CONSENT. PROPERTY OF GENERAL AIR DIVISION, PSB INDUSTRIES, INC.
	CHECKED	KRM	5/26/22	
	APPROVED	KRM	5/26/22	
UNLESS OTHERWISE SPECIFIED DIMENSIONS ARE IN INCHES. DIM. 0" - 12" ± 1/16" 12" - 24" ± 1/8" 24" & UP ± 1/4" ANGLES ± 2-1/2" 3 PLACE DECIMALS ± .005 2 PLACE DECIMALS ± .010				
PROCESS & INSTRUMENT DIAGRAM MODEL NGR-21U UNIVERSAL REGENERATION SKID				
SCALE		SHEET		