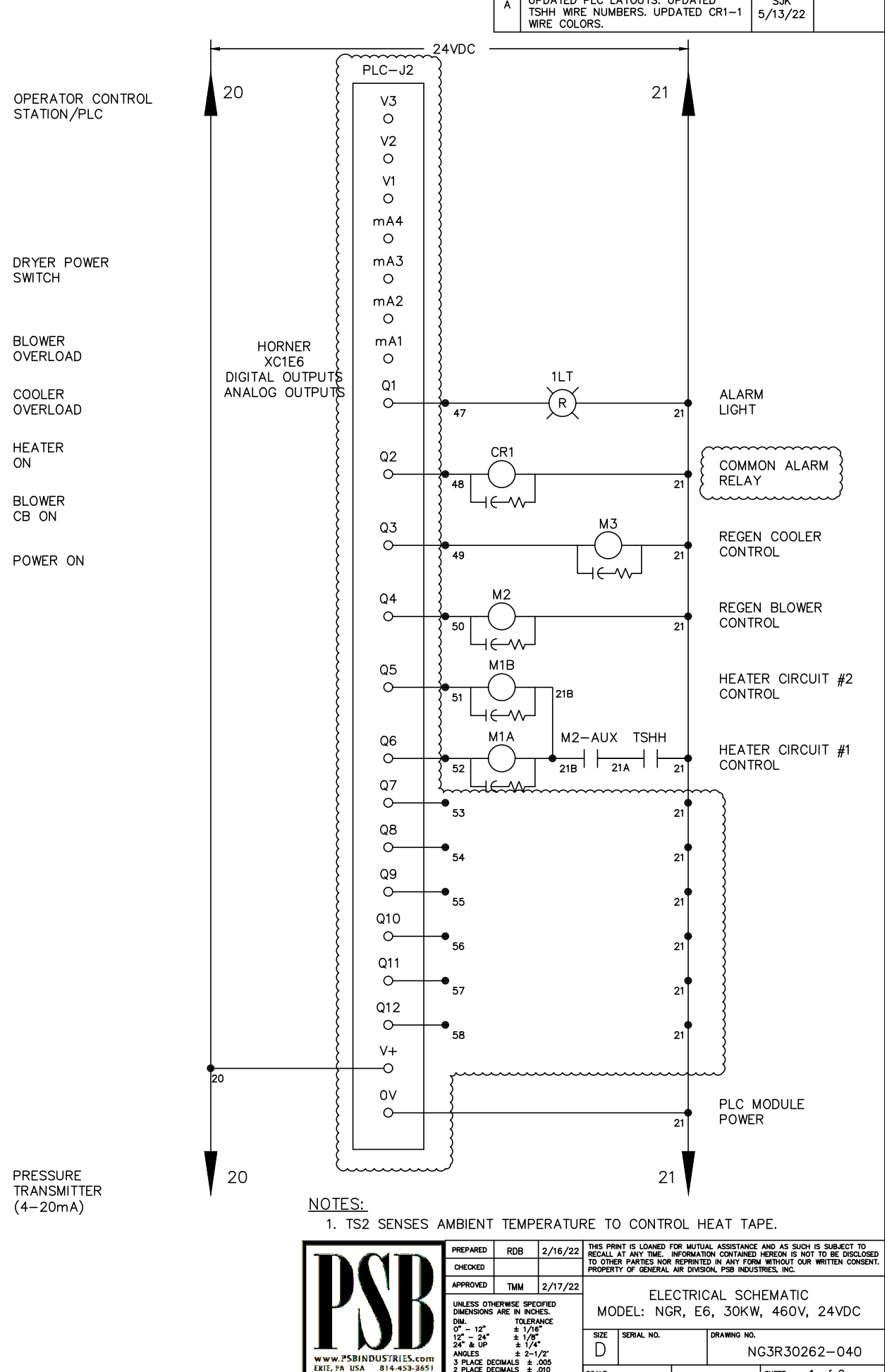
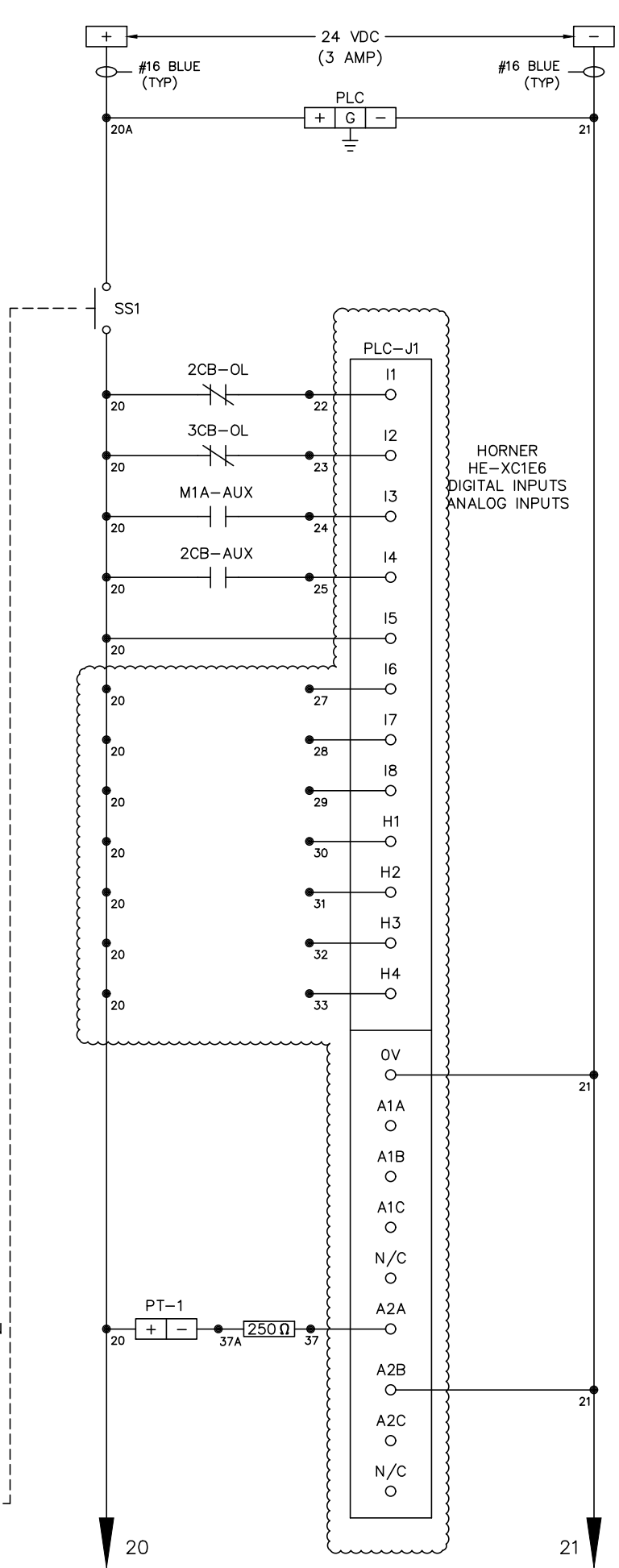
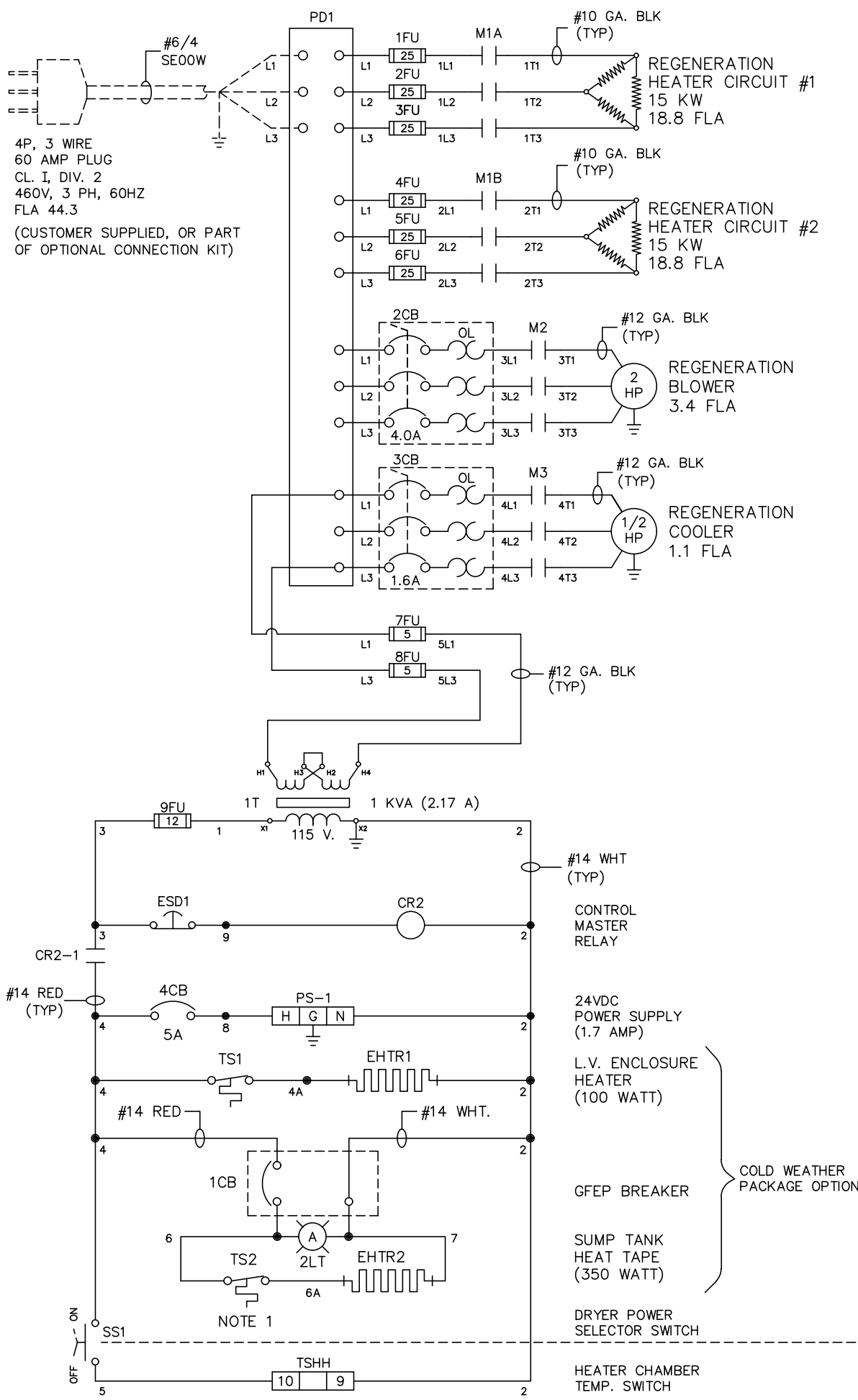
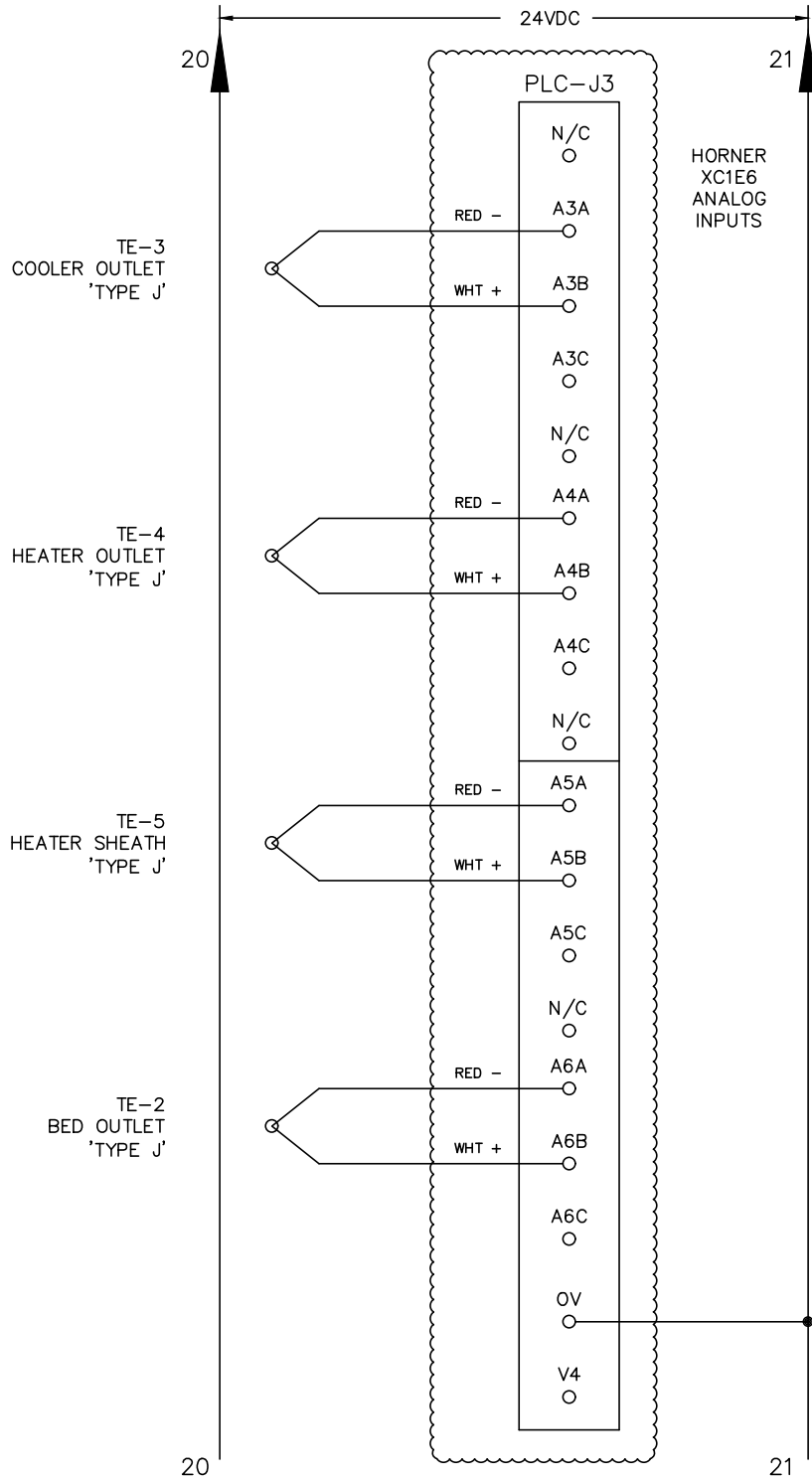


REVISIONS			
LTR	DESCRIPTION	PREPARED	APPROVED
A	UPDATED PLC LAYOUTS. UPDATED TSHH WIRE NUMBERS. UPDATED CR1-1 WIRE COLORS.	SJK 5/13/22	



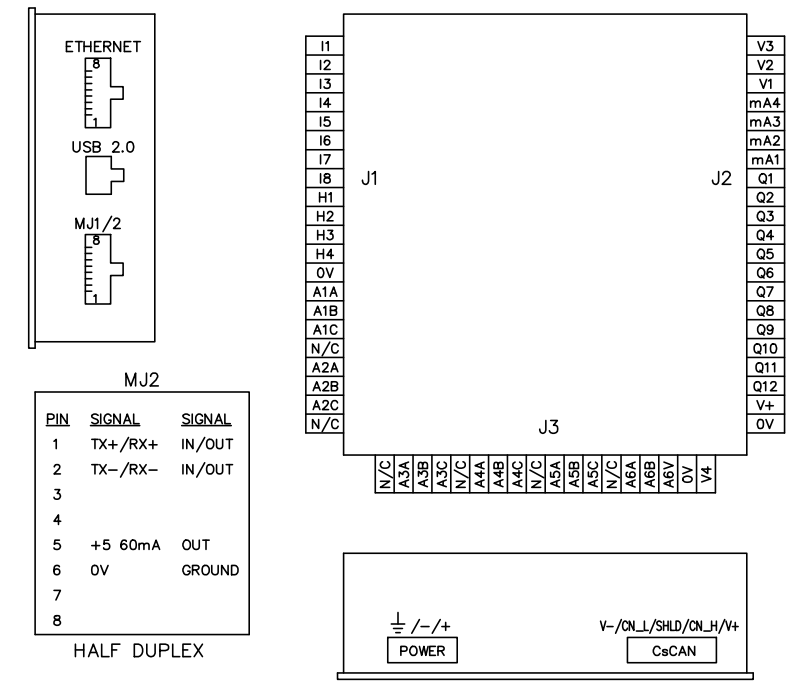
PREPARED	RDB	2/16/22	THIS PRINT IS LOANED FOR MUTUAL ASSISTANCE AND AS SUCH IS SUBJECT TO RECALL AT ANY TIME. INFORMATION CONTAINED HEREON IS NOT TO BE DISCLOSED TO OTHER PARTIES NOR REPRINTED IN ANY FORM WITHOUT OUR WRITTEN CONSENT. PROPERTY OF GENERAL AIR DIVISION, PSB INDUSTRIES, INC.
CHECKED			
APPROVED	TMM	2/17/22	
UNLESS OTHERWISE SPECIFIED DIMENSIONS ARE IN INCHES. DIM. TOLERANCE 0" - 12" ± 1/16" 12" - 24" ± 1/8" 24" & UP ± 1/4" ANGLES ± 2-1/2' 3 PLACE DECIMALS ± .005 2 PLACE DECIMALS ± .010			
ELECTRICAL SCHEMATIC			
MODEL: NGR, E6, 30KW, 460V, 24VDC			
SIZE	SERIAL NO.	DRAWING NO.	
D		NG3R30262-040	
SCALE		SHEET	1 of 2

REVISIONS			
LTR	DESCRIPTION	PREPARED	APPROVED
A	SEE SH.1 FOR REVISIONS		



PLC (SIDE VIEW)

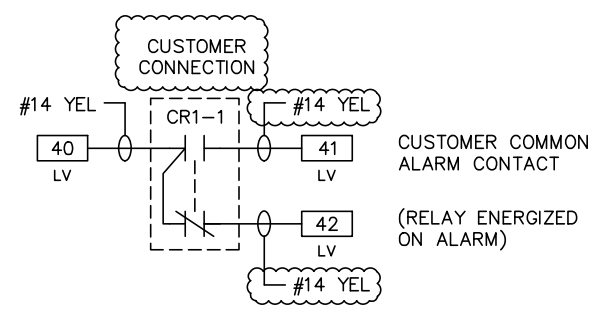
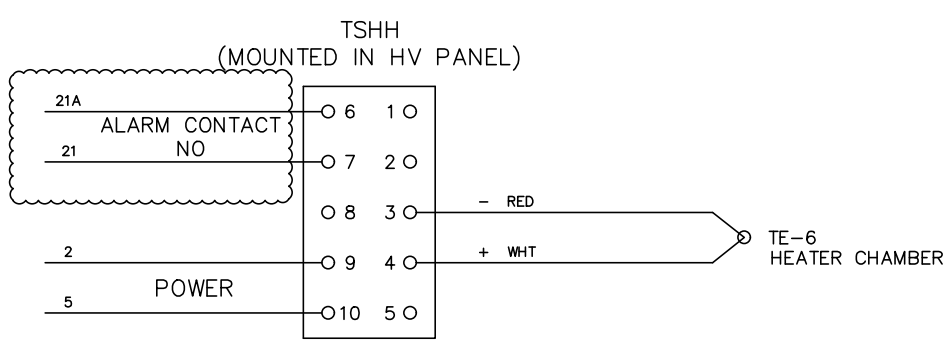
PLC (BACK VIEW)



PLC (BOTTOM VIEW)

COMPONENT LOCATION TABLE

LV PANEL	PLC-J1, PLC-J2, PLC-J3, PLC, PS-1, TS1, EHTR1, SS1, 1LT ESD1, CR1, CR2, CR1-1, CR2-1
HV PANEL	M1A-AUX, 2CB-AUX, M1A, M1B, M2, M3, 2CB, 3CB, 1FU, 2FU, 3FU, 4FU, 5FU, 6FU, 7FU, 8FU, 9FU, 4CB, 1CB, TSHH, M2-AUX, PD1, 2CB-OL, 3CB-OL
SKID	1T, EHTR2, TS2, TE-3, TE-4, TE-5, TE-2, TE-6, HEATER, BLOWER, COOLER, 2LT, PT-1



PREPARED	RDB	2/16/22	THIS PRINT IS LOANED FOR MUTUAL ASSISTANCE AND AS SUCH IS SUBJECT TO RECALL AT ANY TIME. INFORMATION CONTAINED HEREON IS NOT TO BE DISCLOSED TO OTHER PARTIES NOR REPRINTED IN ANY FORM WITHOUT OUR WRITTEN CONSENT. PROPERTY OF GENERAL AIR DIVISION, PSB INDUSTRIES, INC.
CHECKED			
APPROVED	TMM	2/17/22	
UNLESS OTHERWISE SPECIFIED DIMENSIONS ARE IN INCHES. DIM. TOLERANCE 0" - 12" ± 1/16" 12" - 24" ± 1/8" 24" & UP ± 1/4" ANGLES ± 2-1/2' 3 PLACE DECIMALS ± .005 2 PLACE DECIMALS ± .010			
ELECTRICAL SCHEMATIC		MODEL: NGR, E6, 30KW, 460V, 24VDC	
SIZE	SERIAL NO.	DRAWING NO.	
D		NG3R30262-040	
SCALE		SHEET	2 of 2