



Customer: FUELLED Description: FUEL GAS SCRUBBER

Facility: N/A Location: OVINTIV STORAGE YARD

Reg A#: N/A Serial #: 04-3836-1 Drawing#: 10

CRN #: N2416.213 Manufacturer: OPSCO Unit #: N/S Year Built: 2003

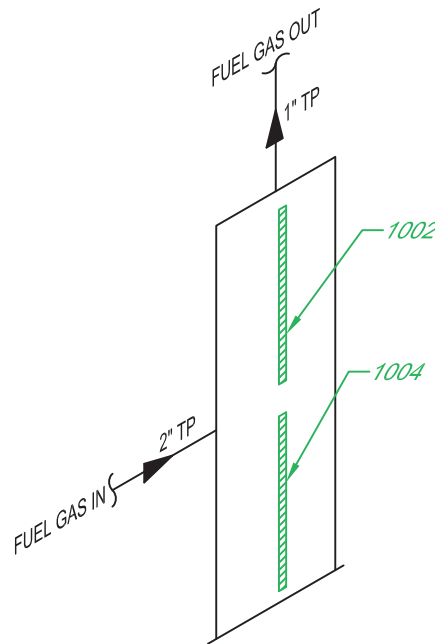
Shell MAWP: 1034 kPa Shell MAWT: 66°C Shell Material: N/S Nominal: 9.5mm CA: 1.6mm

Tube "A" MAWP: _____ Tube "A" MAWT: _____ Head Material: N/S Nominal: 19.1mm CA: 1.6mm

Tube "B" MAWP: _____ Tube "B" MAWT: _____ Tube Material: _____ Nominal: _____ CA: _____

Size: 12in x 32in Manway: NO MDMT: -29°C Boot Shell Mat: _____ Nominal: _____ CA: _____

Insulated: NO C Stamp: NO RT: NO PWHT: NO Boot Head Mat: _____ Nominal: _____ CA: _____





UTS Data Sheet

Client: **Fuelled**

Facility: **n/a**

LSD: **Ovintiv Storage Yard**

Equip Description: **Fuel Gas Scrubber**

Serial #: **4-3836-1**

Drawing #: **10**

	Nominal Thickness (mm)	Corrosion Allowance (mm)	Flag Thickness (mm)
1002 Description: Upper Shell Date: Oct. 29, 24 Minimum: 9.7 Average: 9.9 Comments:	9.5	1.6	7.9
1004 Description: Lower Shell Date: Oct. 29, 24 Minimum: 9.7 Average: 9.8 Comments:	9.5	1.6	7.9

SN : 04-3836-1
Fuel Gas Scrubber

