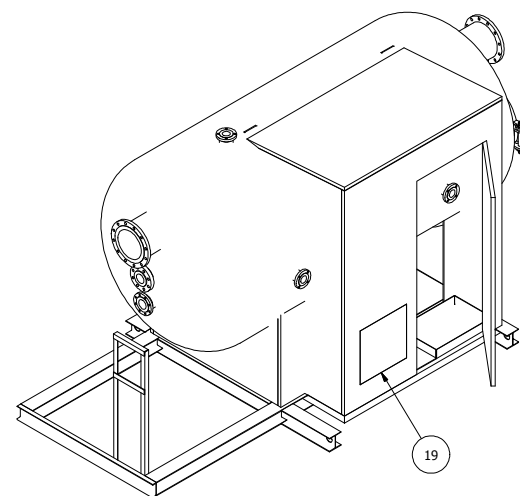
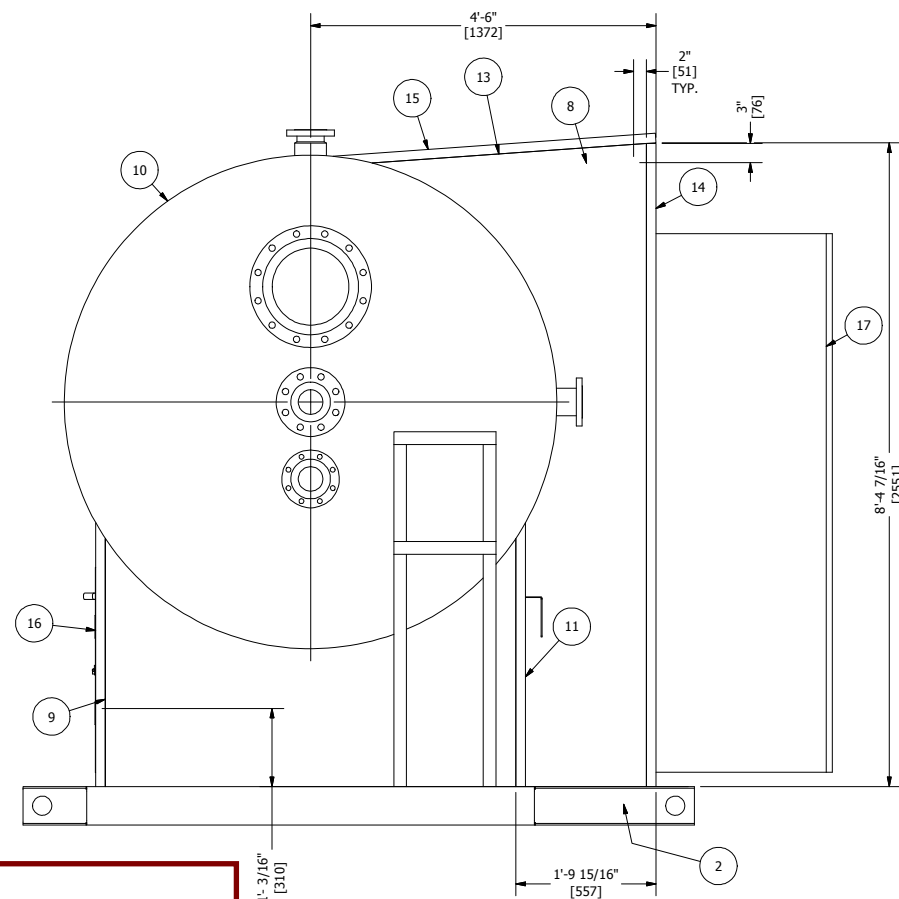


INSULATION DETAILS:

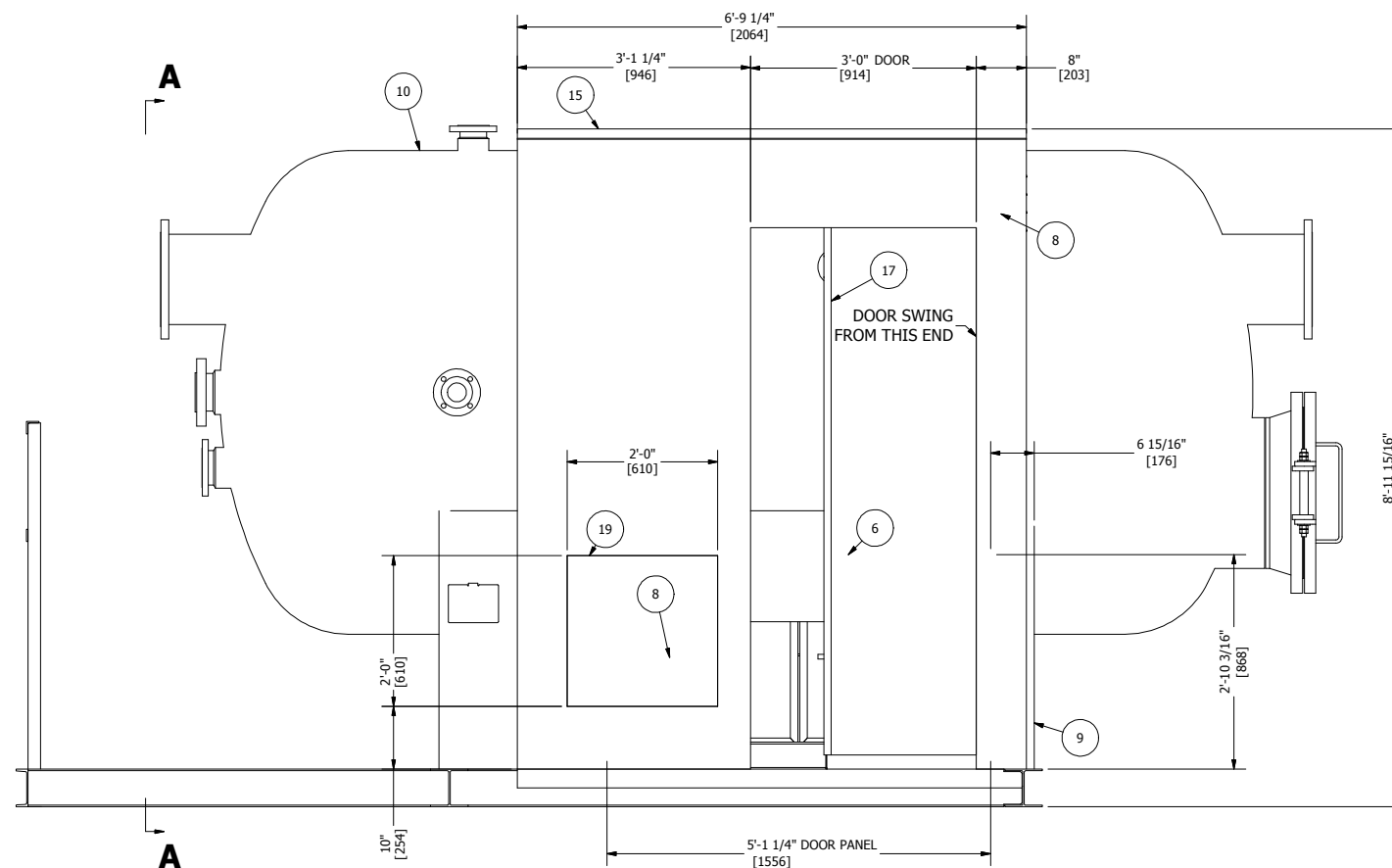
1. MATERIALS:
 INSULATION: 2" MINERAL WOOL W/ SEA CLADDING
 CLADDING: 0.024" THK STUCCO EMBOSSED ALUMINUM
 BANDING:
 INSULATION: 0.020" THK x 3/4" WIDE 304SS
 CLADDING: 0.020" THK x 3/4" WIDE 304SS
 SCREWS: #10 x 1/2" LONG SELF TAPPING ROBERTSON HEAD 304SS
2. INSULATION SHALL BE APPLIED WITH A STAGGERED JOINT ARRANGEMENT
3. INSULATION IS TO BE SECURED IN PLACE BY MACHINE STRETCHED BANDS ON 12" CENTERS
4. CLADDING LONG SEAMS TO BE STAGGERED
5. CIRC AND LONG SEAMS IN CLADDING ARE TO BE LAPPED A MINIMUM OF 2"
6. CLADDING IS TO BE SECURED IN PLACE BY MACHINE STRETCHED BANDS ON 12" CENTERS
7. NAMEPLATES, NOZZLES, FLANGES AND WEEP-HOLE NIPPLES SHALL NOT BE INSULATED
8. 2" THK SPRAY FOAM ON UNDERSIDE OF CHECKER



ISOMETRIC VIEW



VIEW A-A



ELEVATION VIEW

ITEM	QTY	REF.	PART No.	DESCRIPTION	LENGTH	MATERIAL	WEIGHT (lbs)
1	2		1-009905	1 1/2" THK - RIGID URETHANE - 28-1/2" x 28-1/2"		RIGID URETHANE - DOUBLE SIDED	11.28
2	1		1-010123	2" THK SPRAY FOAM INSULATION (51 R ²)		SPRAY FOAM INSULATION	17.29
3	1		1-001320	BOLT BARREL LOCKABLE 4"		MILD STEEL	0.32
4	4		1-001421	HINGE DOOR LOOSE PIN 3 1/2" x 3 1/2"		MILD STEEL	0.80
5	8		1-001522	INSULATION ALUMINUM CHANNEL- 1/2" x 29" LG (MBE)		ALUMINUM	11.03
6	2		1-001526	INSULATION ALUMINUM DOOR FRAME STD 1- 1/2" x 61 1/4" LG (MBE)	5'-1 1/4"	MILD STEEL	13.36
7	2		1-001526	INSULATION ALUMINUM DOOR FRAME STD 1- 1/2" x 32" LG (MBE)		ALUMINUM	2.32
8	2		1-001529	12" x 12" ALUMINUM VENT LOUVER		ALUMINUM	5.63
9	2		1-019866	1 1/2" THK RIGID URETHANE PANEL c/w TAN/PAPER CLADDING		RIGID URETHANE - SINGLE SIDED	18.04
10	1		1-006967	2" THK MINERAL WOOL c/w STUCCO EMBOSSED ALUMINUM		MINERAL WOOL TANK WRAP	314.25
11	1		1-009905	1 1/2" THK RIGID URETHANE PANEL c/w TAN/WHITE CLADDING		RIGID URETHANE - DOUBLE SIDED	4.10
12	1		1-009905	1 1/2" THK RIGID URETHANE PANEL c/w TAN/WHITE CLADDING		RIGID URETHANE - DOUBLE SIDED	13.91
13	1		1-009905	1 1/2" THK RIGID URETHANE PANEL c/w TAN/WHITE CLADDING		RIGID URETHANE - DOUBLE SIDED	14.91
14	1		1-009905	1 1/2" THK RIGID URETHANE PANEL c/w TAN/WHITE CLADDING		RIGID URETHANE - DOUBLE SIDED	31.05
15	1		1-009905	1 1/2" THK RIGID URETHANE PANEL c/w TAN/WHITE CLADDING		RIGID URETHANE - DOUBLE SIDED	31.68
16	1		1-009905	1 1/2" THK RIGID URETHANE PANEL c/w TAN/WHITE CLADDING		RIGID URETHANE - DOUBLE SIDED	15.34
17	1		1-011904	3'-0" x 7'-0" MAN DOOR ASSEMBLY		RIGID URETHANE - DOUBLE SIDED	21.00
18	2		1-015048	DOOR HANDLE 8"		MILD STEEL	2.19
19	1		1-022215	24" x 24" ACCESS DOOR		RIGID URETHANE - DOUBLE SIDED	4.00
							532.51

STANTEC DOCUMENT PROCESSING STAMP

A - PROCEED I/O - DATA ACCEPTED FOR INFORMATION ONLY

B - PROCEED, CHANGE AS NOTED AND RESUBMIT BY: 2019-11-18

C - DO NOT PROCEED, CHANGE AS NOTED AND RESUBMIT BY:

SIGN: M.Y. DATE SIGNED: 2019-11-11

VDDR CODE(S): DM02, DCS04

AUTHORIZATION TO PROCEED DOES NOT WAIVE SUPPLIER'S RESPONSIBILITY OR LIABILITY UNDER THE CONTRACT/PURCHASE ORDER FOR COMPLIANCE WITH THE REQUIREMENTS OF THE DRAWINGS AND SPECIFICATIONS

Please add missing drawing details of Rev A with the as-built.
 M.Y.
 2019-11-11

REV	DATE	DESCRIPTION	BY	ENG	PM	APP
A	2019/10/15	ISSUED FOR APPROVAL	RMM	JAM	DG	
0	11/8/2019	ISSUED FOR FABRICATION	AMC	JAM	DG	

BILTON
 Welding and Manufacturing Ltd.

BOX 6106
 5815 37 Street
 INNISFAIL, AB
 CANADA
 403-227-7799
 1-888-227-4923
 FAX 227-7796

This drawing is property of BILTON WELDING AND MANUFACTURING LTD and is lent to the recipient for their confidential use only. In consideration of the loan of this drawing, the recipient promises and agrees that it shall not be used in any way detrimental to the interests of BILTON WELDING AND MANUFACTURING LTD, that it shall be returned upon request, and shall not be reproduced, copied, lent, or otherwise disposed of, directly or indirectly, without the written consent of BILTON WELDING AND MANUFACTURING LTD.

CHEVRON CANADA LTD.

72" ID x 10' S/S 60 BBL FKOD - TAG: FKOD-4400
 INS/ENCLOSURE DETAILS

QUOTE NUMBER: 107948 SALE ORDER: 005676

PURCHASE ORDER: 11862693 JOB ORDER: SIZE

LOCATION: 06-07-062-23 WSM (WASX-W039) **D5250** **D**

DATE: 11/4/2019

SHEET: 6 OF 8 DRAWING NO.: REV.

CRN DWG: N/A **D5250-601** **0**

CRN NUMBER: N/A