

**STANTEC**  
DOCUMENT PROCESSING STAMP

A - PROCEED       IO - DATA ACCEPTED FOR INFORMATION ONLY  
 B - PROCEED, CHANGE AS NOTED AND RESUBMIT BY:       C - DO NOT PROCEED, CHANGE AS NOTED AND RESUBMIT BY:

RESUBMIT DATE FOR STATUS B:      RESUBMIT DATE FOR STATUS C:

SIGN: M.Y.      DATE SIGNED: 2019-11-11  
VDDR CODE(S): DCS05

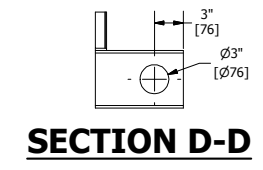
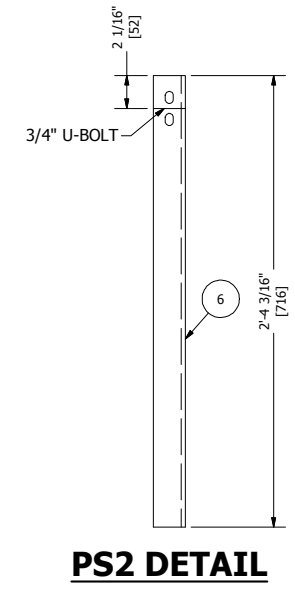
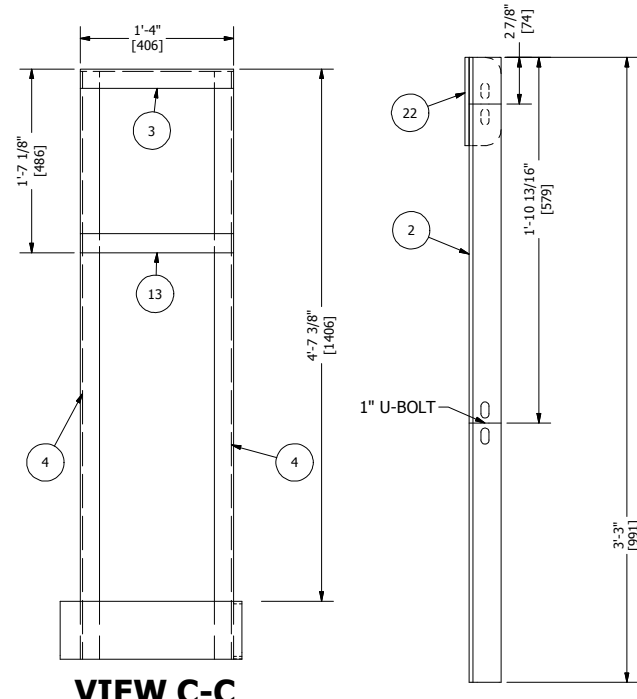
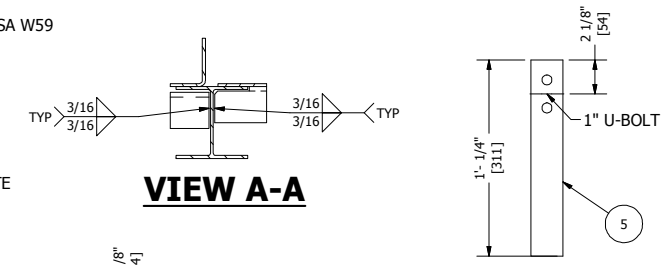
AUTHORIZATION TO PROCEED DOES NOT WAIVE SUPPLIER'S RESPONSIBILITY OR LIABILITY UNDER THE CONTRACT/PURCHASE ORDER FOR COMPLIANCE WITH THE REQUIREMENTS OF THE DRAWINGS AND SPECIFICATIONS

BILL OF MATERIALS						
ITEM	QTY	REF.	PART No.	DESCRIPTION	LENGTH	WEIGHT (lbs)
1	1		1-000024	L2x2x1/4	6 1/2"	1.70
2	1		1-000024	L2x2x1/4	3'-3"	10.41
3	1		1-000024	L2x2x1/4	1'-4"	4.30
4	2		1-000024	L2x2x1/4	5'-1 1/8"	32.83
5	1		1-000024	L2x2x1/4	1'- 1/4"	3.25
6	1		1-000024	L2x2x1/4	2'-4 3/16"	7.53
7	2		1-000033	L3x3x3/8	5'-3 1/2"	76.59
8	3		1-000033	L3x3x3/8	1'-9 1/4"	33.01
9	1		1-000033	L3x3x3/8	1'-9 3/4"	11.66
10	1		1-000033	L3x3x3/8	6'-8 9/16"	47.12
11	1		1-000399	C6x8.2	5'-10"	48.00
12	1		1-000721	2" x 90° LR BW ELBOW SCH STD/40		1.44
13	1		1-001103	2x1/4 FLAT BAR	1'-4"	2.27
14	1		1-003418	2" PIPE SCH STD/40 (BOE,TOE)	1'-0"	3.67
15	2		1-003659	W6x15	13'-2 5/8"	391.77
16	1		1-003659	W6x15	2'-3 3/4"	32.11
17	1		1-003659	W6x15	1'- 3/4"	13.29
18	1		1-003659	W6x15	5'-3 1/2"	74.24
19	1		1-003659	W6x15	8'-8 15/16"	131.35
20	1		2-013610	1/4" THK CHECKERPLATE x 62 7/8" W x 90 1/2" LG, c/w 4" DRIP LIP		481.77
21	1		2-018647	1/4" THK CHECKERPLATE x 19 1/2" W x 47 1/4" LG		65.49
22	1		2-018687	PIPE SUPPORT BRACKET 1/4" THK x 5-1/2" W x 11-1/16" LG		4.22
23	1		2-018842	12GA x 19 1/2" W x 29" LG x 4" DEEP CONTAINMENT TRAY		27.82
						1505.84

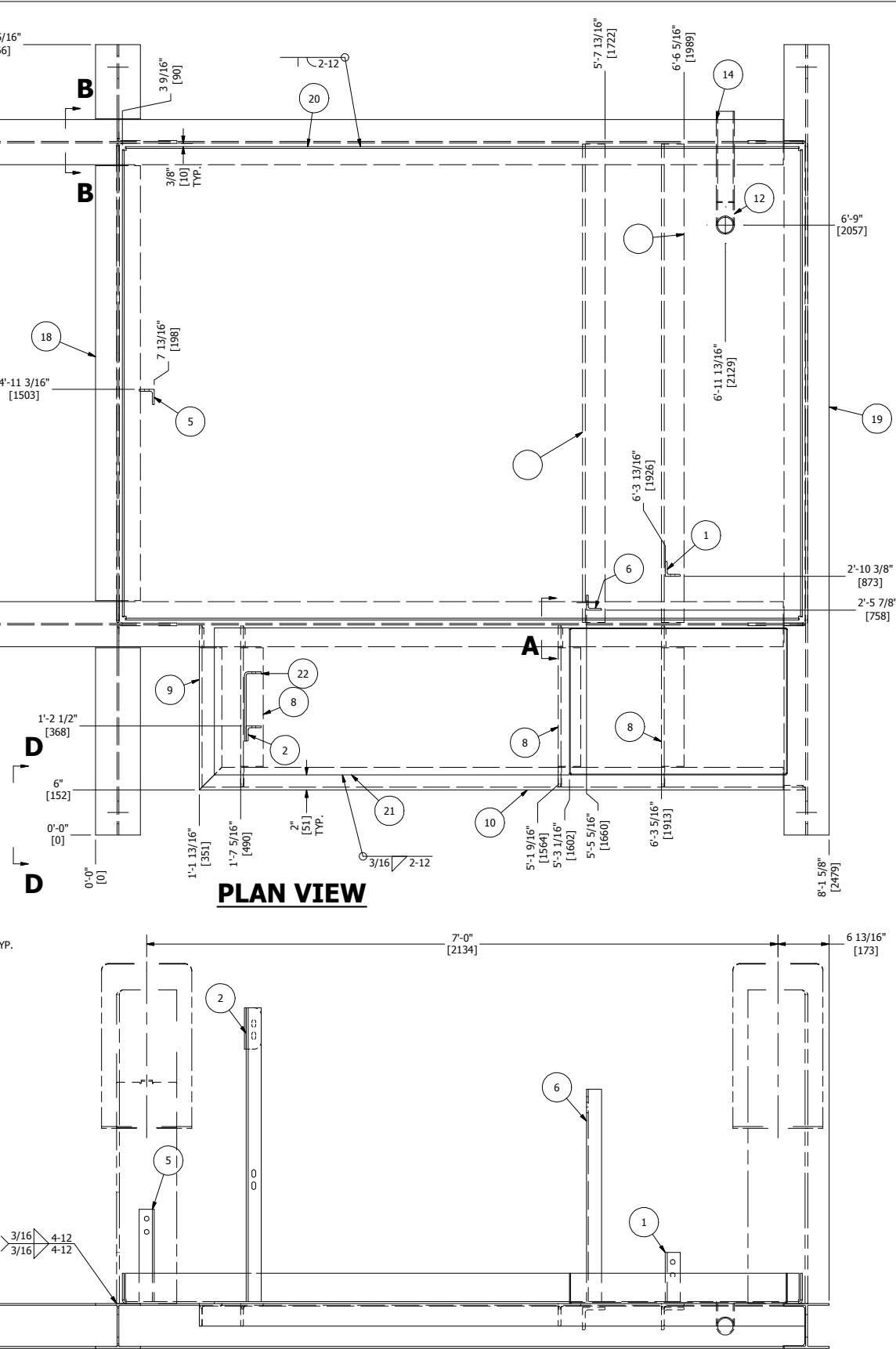
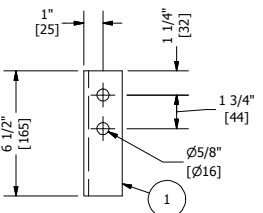
**CHEVRON DOC# KDU-FKOD440003-TEC-REC-BIL-4400-00098**

**GENERAL NOTES:**

- WELD PROCEDURE: GM-1, SM-1, MC-1  
WELDERS AND WELD PROCEDURES QUALIFIED AS PER CSA W59
- MPI: NIL
- RADIOGRAPHY: NIL
- UT: NIL
- SPLICES REQUIRE BILTON ENGINEERING APPROVAL
- SANDBLAST: SSPC-SP6
- PRIMER: EPOXY
- TOPCOAT: URETHANE (COLOUR: QC8315 TAN)
- INSULATION: 2" THK SPRAY FOAM UNDER CHECKER PLATE
- PIPE SUPPORTS UNTIL FINAL FIT UP



**VIEW B-B**



ENSURE STAND IS FULLY WELDED AND NOT JUST TACKED IN PLACE

ENSURE STAND IS FULLY WELDED AND NOT JUST TACKED IN PLACE



BOX 6106  
5815 37 Street  
INNISFAIL, AB  
CANADA  
403-227-7799  
1-888-227-4923  
FAX 227-7796

**CHEVRON CANADA LTD.**

72" ID x 10' S/S 60 BBL FKOD - TAG: FKOD-4400 SKID ASSEMBLY	
QUOTE NUMBER: 107948	SALE ORDER: 005676
PURCHASE ORDER: 11862693	JOB ORDER:
LOCATION: 06-07-062-23 WSM (WASX-W039)	<b>D5250</b>
DATE: 11/4/2019	SIZE <b>D</b>
SHEET: 5 OF 8	DRAWING NO.:
CRN DWG: N/A	<b>D5250-501</b>
CRN NUMBER: N/A	REV. <b>0</b>

REV	DATE	DESCRIPTION	BY	ENG	PM	APP
A	2019/10/15	ISSUED FOR APPROVAL	RMM	JAM	DG	
0	11/8/2019	ISSUED FOR FABRICATION	AMC	JAM	DG	

~~CHEVRON DOC # KDU-FKOD440003-TEC-REC-BIL-4400-00068~~