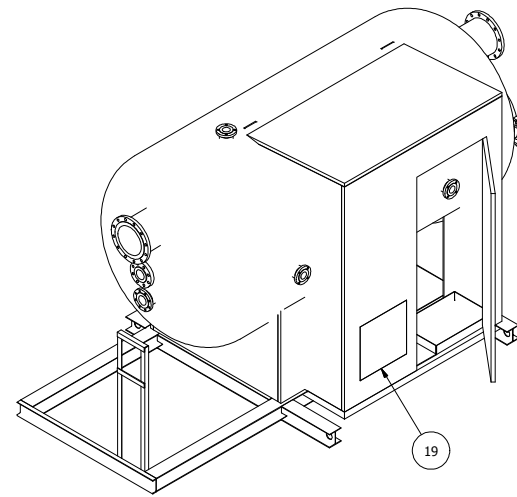


INSULATION DETAILS:

- MATERIALS:
 INSULATION: 2" MINERAL WOOL W/ SEA CLADDING
 CLADDING: 0.024" THK STUCCO EMBOSSED ALUMINUM
 BANDING:
 INSULATION: 0.020" THK x 3/4" WIDE 304SS
 CLADDING: 0.020" THK x 3/4" WIDE 304SS
 SCREWS: #10 x 1/2" LONG SELF TAPPING ROBERTSON HEAD 304SS
- INSULATION SHALL BE APPLIED WITH A STAGGERED JOINT ARRANGEMENT
- INSULATION IS TO BE SECURED IN PLACE BY MACHINE STRETCHED BANDS ON 12" CENTERS
- CLADDING LONG SEAMS TO BE STAGGERED
- CIRC AND LONG SEAMS IN CLADDING ARE TO BE LAPPED A MINIMUM OF 2"
- CLADDING IS TO BE SECURED IN PLACE BY MACHINE STRETCHED BANDS ON 12" CENTERS
- NAMEPLATES, NOZZLES, FLANGES AND WEEP-HOLE NIPPLES SHALL NOT BE INSULATED



ISOMETRIC VIEW

STANTEC
DOCUMENT PROCESSING STAMP

A - PROCEED I/O - DATA ACCEPTED FOR INFORMATION ONLY

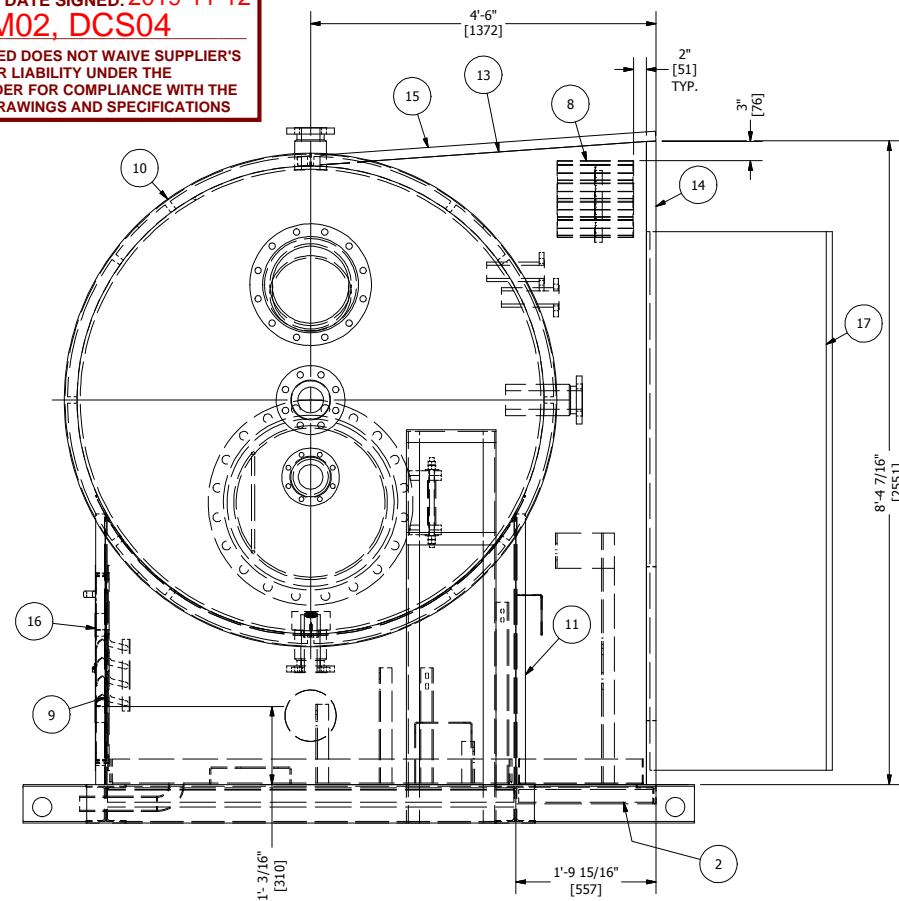
B - PROCEED, CHANGE AS NOTED AND RESUBMIT BY: C - DO NOT PROCEED, CHANGE AS NOTED AND RESUBMIT BY:

RESUBMITTAL DATE FOR STATUS B: _____ RESUBMITTAL DATE FOR STATUS C: _____

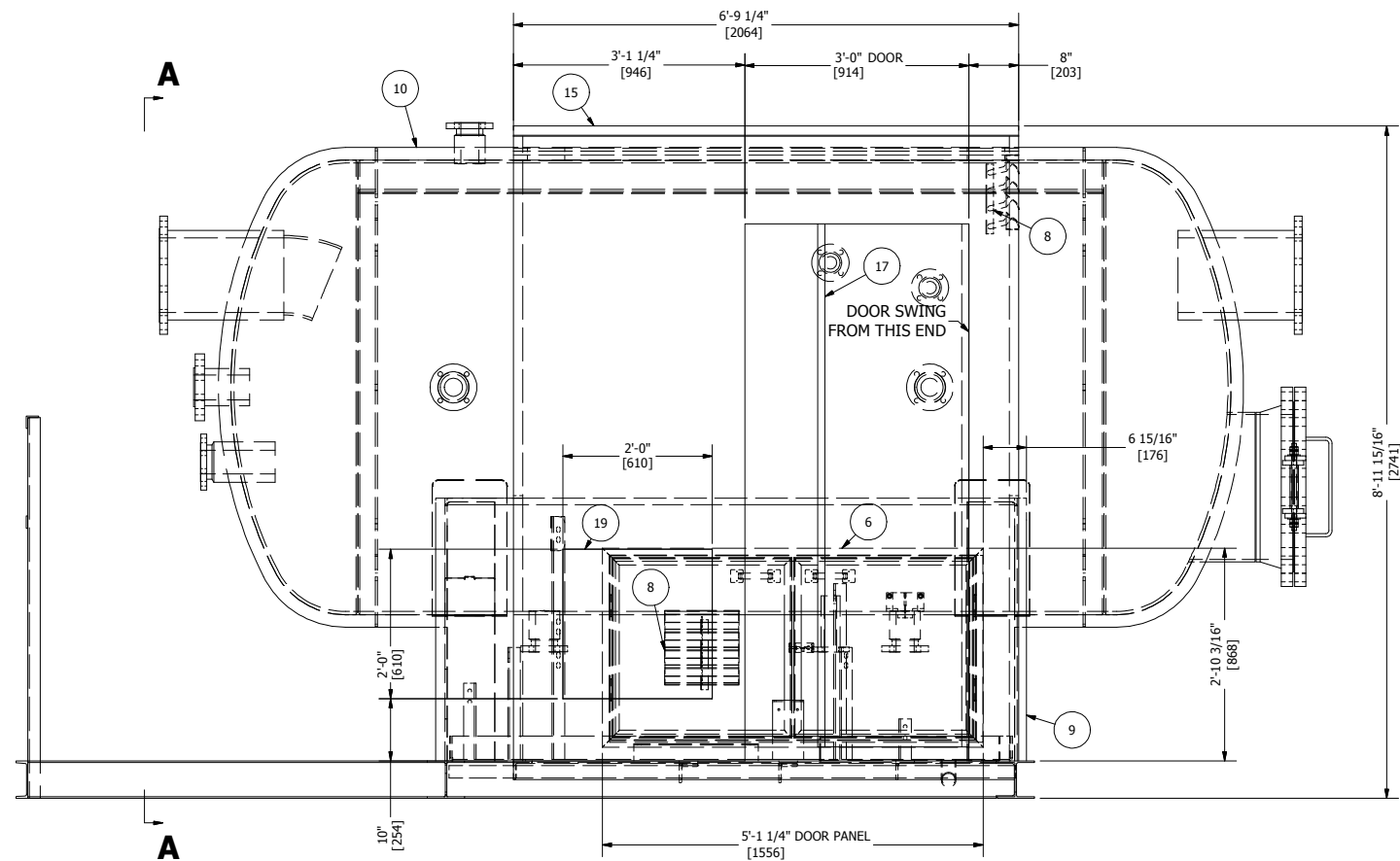
SIGN: M.Y. DATE SIGNED: 2019-11-12

VDDR CODE(S): DM02, DCS04

AUTHORIZATION TO PROCEED DOES NOT WAIVE SUPPLIER'S RESPONSIBILITY OR LIABILITY UNDER THE CONTRACT/PURCHASE ORDER FOR COMPLIANCE WITH THE REQUIREMENTS OF THE DRAWINGS AND SPECIFICATIONS



VIEW A-A



ELEVATION VIEW

BILL OF MATERIALS

ITEM	QTY	REF.	PART No.	DESCRIPTION	LENGTH	MATERIAL	WEIGHT (lbs)
1	2		1-009905	1 1/2" THK - RIGID URETHANE - 28-1/2" x 28-1/2"		RIGID URETHANE - DOUBLE SIDED	11.28
2	1		1-010123	2" THK SPRAY FOAM INSULATION (51 ft ²)		SPRAY FOAM INSULATION	17.29
3	1		1-001320	BOLT BARREL LOCKABLE 4"		MILD STEEL	0.32
4	4		1-001421	HINGE DOOR LOOSE PIN 3 1/2" x 3 1/2"		MILD STEEL	0.80
5	8		1-001522	INSULATION ALUMINUM CHANNEL- 1/2" x 29" LG (MBE)		ALUMINUM	11.03
6	2		1-001526	INSULATION ALUMINUM DOOR FRAME STD 1- 1/2" x 61 1/4" LG (MBE)	5'-1 1/4"	ALUMINUM	13.36
7	2		1-001526	INSULATION ALUMINUM DOOR FRAME STD 1- 1/2" x 32" LG (MBE)		ALUMINUM	2.32
8	2		1-001529	12" x 12" ALUMINUM VENT LOUVER		ALUMINUM	5.63
9	2		1-019866	1 1/2" THK RIGID URETHANE PANEL c/w TAN/PAPER CLADDING		RIGID URETHANE - SINGLE SIDED	18.04
10	1		1-006967	2" THK MINERAL WOOL c/w STUCCO EMBOSSED ALUMINUM		MINERAL WOOL TANK WRAP	314.25
11	1		1-009905	1 1/2" THK RIGID URETHANE PANEL c/w TAN/WHITE CLADDING		RIGID URETHANE - DOUBLE SIDED	4.10
12	1		1-009905	1 1/2" THK RIGID URETHANE PANEL c/w TAN/WHITE CLADDING		RIGID URETHANE - DOUBLE SIDED	13.91
13	1		1-009905	1 1/2" THK RIGID URETHANE PANEL c/w TAN/WHITE CLADDING		RIGID URETHANE - DOUBLE SIDED	14.91
14	1		1-009905	1 1/2" THK RIGID URETHANE PANEL c/w TAN/WHITE CLADDING		RIGID URETHANE - DOUBLE SIDED	31.05
15	1		1-009905	1 1/2" THK RIGID URETHANE PANEL c/w TAN/WHITE CLADDING		RIGID URETHANE - DOUBLE SIDED	31.68
16	1		1-009905	1 1/2" THK RIGID URETHANE PANEL c/w TAN/WHITE CLADDING		RIGID URETHANE - DOUBLE SIDED	15.34
17	1		1-011904	3'-0" x 7'-0" MAN DOOR ASSEMBLY		RIGID URETHANE - DOUBLE SIDED	21.00
18	2		1-015048	DOOR HANDLE 8"		MILD STEEL	2.19
19	1		1-022215	24" x 24" ACCESS DOOR		RIGID URETHANE - DOUBLE SIDED	4.00
							532.51

REV	DATE	DESCRIPTION	BY	ENG	PM	APP
A	2019/10/15	ISSUED FOR APPROVAL	RMM	JAM	DG	
0	11/4/2019	ISSUED FOR FABRICATION	AMC	JAM	DG	

BILTON
Welding and Manufacturing Ltd.

BOX 6106
5815 37 Street
INNISFAIL, AB
CANADA
403-227-7799
1-888-227-4923
FAX 227-7796

This drawing is property of BILTON WELDING AND MANUFACTURING LTD and is lent to the recipient for their confidential use only. In consideration of the loan of this drawing, the recipient promises and agrees that it shall not be used in any way detrimental to the interests of BILTON WELDING AND MANUFACTURING LTD, that it shall be returned upon request, and shall not be reproduced, copied, lent, or otherwise disposed of, directly or indirectly, without the written consent of BILTON WELDING AND MANUFACTURING LTD.

CHEVRON CANADA LTD.

72" ID x 10' S/S 60 BBL FKOD - TAG: FKOD-4400
INS/ENCLOSURE DETAILS

QUOTE NUMBER: 107948	SALE ORDER: 005675
PURCHASE ORDER: 11862693	JOB ORDER: D5249
LOCATION: 16-21-059-19 WSM (SOFC-W115)	SIZE: D
DATE: 10/9/2019	DRAWING NO.: D5249-601
SHEET: 6 OF 8	REV: 0
CRN DWG: N/A	
CRN NUMBER: N/A	