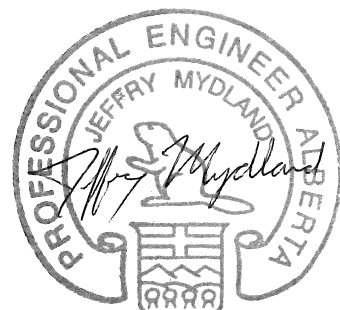


1 2 3 4 5 6 7 8 9 10



January 6, 2020  
Mechanical Only

**D-4400**  
LP FLARE FLARE KNOCKOUT DRUM  
SIZE: 72" ID x 10'-0" S/S  
DESIGN: 50 psi @ -49°F/140°F  
MAWP: NON CODE 14.9 PSIG @ 140°F  
MAEWP: FULL VACUUM @ 140°F  
MOMT: -49°F  
C.A.: 1/8"  
INTERNAL COATING: YES, DEVOE 253  
SERIAL #: FKOD-2019-18036  
CRN: Y6379.2  
BUILT: 2019

**P-4400**  
PUMP  
MAKE: SANDPIPER DIAPHRAM PUMP  
MODEL: G1F81STSONS00  
SIZE: 1" NPT SUCTION x 1" NPT DISCHARGE  
CAPACITY: 0/45 GPM  
DISCHARGE PRESSURE: 100 PSI

**TEH-4420**  
BUILDING HEATER  
MAKE: RUFFNECK  
MODEL: FX5-600/360-030-WT  
TYPE: ELECTRIC  
DUTY: 3 KW  
CLASS 1 ZONE 1&2 GROUPS  
IIA & IIB T3B

**STANTEC**  
DOCUMENT PROCESSING STAMP

A - PROCEED  I/O - DATA ACCEPTED FOR INFORMATION ONLY

B - PROCEED, CHANGE AS NOTED AND RESUBMIT BY:  C - DO NOT PROCEED, CHANGE AS NOTED AND RESUBMIT BY:

RESUBMITAL DATE FOR STATUS A: \_\_\_\_\_ RESUBMITAL DATE FOR STATUS B: \_\_\_\_\_

SIGN: M.Y. DATE SIGNED: 2020-01-20

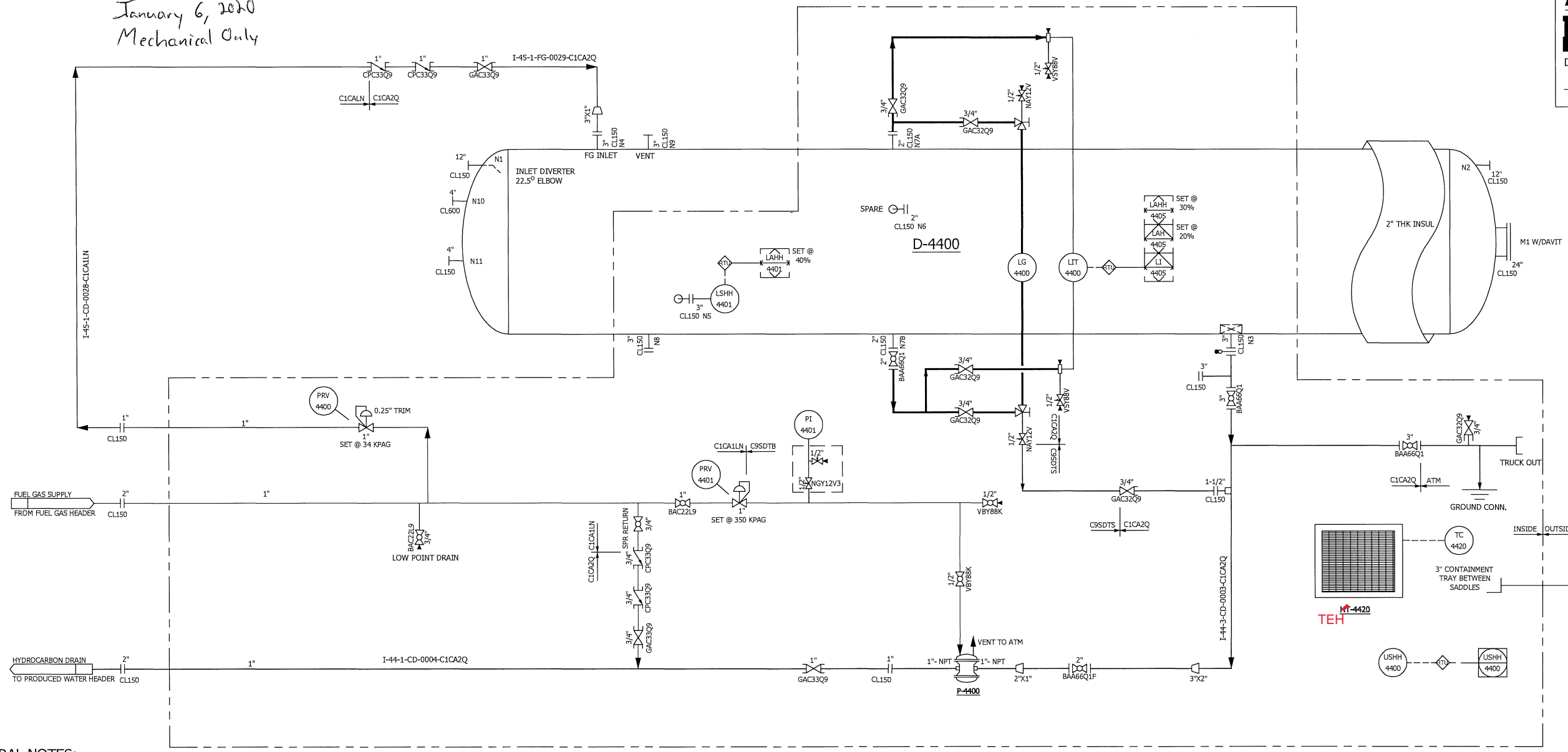
VDDR CODE(S): DPO2

AUTHORIZATION TO PROCEED DOES NOT WAIVE SUPPLIER'S RESPONSIBILITY OR LIABILITY UNDER THE CONTRACT/PURCHASE ORDER FOR COMPLIANCE WITH THE REQUIREMENTS OF THE DRAWINGS AND SPECIFICATIONS

**AS-BUILT**  
**BILTON**

DATE: 2020/01/06

RMM  
INITIALS



**GENERAL NOTES:**

1. PIPING DESIGNED AND FABRICATED TO ASME B31.3 2016 AND CHEVRON CANADA LIMITED, PIPING SPECIFICATION: C1CA1LN, C1CA2Q, C9SDTB, C9SDTS
2. THREADED PIPE MATERIAL (NIPPLES):  
-AS PER C1CA1LN LINE CLASS  
-AS PER C1CA2Q LINE CLASS
3. SOCKET WELD PIPE MATERIAL (NIPPLES):  
-AS PER C1CA1LN LINE CLASS  
-AS PER C1CA2Q LINE CLASS
4. BOLTING MATERIAL:  
-SA-193-B7M / SA-194-2HM
5. GASKET MATERIAL:  
-316 SS "CGI"
6. TUBING MATERIAL: ASTM A213-TP316/316L SEAMLESS c/w 316SS SWAGelok FITTINGS  
- 1/2" OD X 0.049" WALL TUBING, HYDRO TESTED AS PER LINE LIST
7. ALL TUBING TO BE SUPPORTED IN RACEWAYS AND SUFFICIENTLY SUPPORTED.
8. ALL INSTRUMENTS TO BE IDENTIFIED WITH STAINLESS STEEL TAGS.
9. ALL EASILY DAMAGED COMPONENTS SHALL BE REMOVED & PACKAGED SEPARATELY, SHIPPED LOOSE ITEMS SHALL BE EASILY IDENTIFIED.
10. ALL MATERIALS TO BE PURCHASED FROM AML, AND IN ACCORDANCE WITH CHEVRON SOUR SERVICE MATERIAL REQUIREMENTS.
11. BOLT TORQUE AND THREAD SEALANTS AS PER BILTON STANDARD AND RECOMMENDED INDUSTRY PRACTICES

**SELECT CHEMISTRY/AML NOTES**

**STEEL PIPING FORGED/SEAMLESS PRODUCTS SELECT CHEM**  
MUST MEET CHEVRON AML KDA-0300-PUR-LST-CBU-0000-00001 REV 3  
SELECT CHEM: As per KDA-0800-PIP-SPC-CBU-0000-00086 RA.2  
MUST MEET NACE MR0175/ISO 15156  
CE = 0.43 MAX, C = 0.23, Mn = 1.35  
V MAX = See Table 2 of KDA-0800-PIP-SPC-CBU-0000-00086 RA.2  
Nb MAX = See Table 2 of KDA-0800-PIP-SPC-CBU-0000-00086 RA.2  
Cr+Mo+Ni+Cu+V = 0.600 MAX  
P = 0.025, S (FORGED) = 0.025, S (SEAMLESS) = 0.010

REV. NO.	DATE	REVISION	BY	ENG	PM	APP
A	25/06/2019	ISSUED FOR APPROVAL	NPW		DG	
0	01/08/2019	ISSUED FOR CONSTRUCTION	NPW		DG	
1	06/01/2020	REVISED NOTES	RMM		DG	

**BILTON**  
Welding and Manufacturing Ltd.

Box 6106  
5515 37 Street  
INNISFAIR, AB  
CANADA  
403-227-7799  
1-888-227-4923  
FAX 227-7796

This drawing is property of BILTON WELDING & MANUFACTURING LTD and is loaned to the recipient for their confidential use only. In consideration of the loan of this drawing the recipient promises and agrees that it shall not be used in any way detrimental to the interests of BILTON WELDING & MANUFACTURING LTD, that it shall be returned upon request, and shall not be reproduced, copied, lent, or otherwise disposed of, directly or indirectly, without the written consent of BILTON WELDING & MANUFACTURING LTD.

**CHEVRON CANADA LIMITED**  
60 BBL FLARE KNOCKOUT SKID

QUOTE NUMBER: 10576  
PURCHASE ORDER: 0011862693  
DATE: 21/06/2019  
SHEET: 1 OF 1

SALE ORDER: 5608  
JOB ORDER:  
LOCATION: **NW 15-06**  
DRAWING NO.:  
REV.

**D5175**  
**B**

**D5175-001**  
**1**