

GENERAL NOTES:

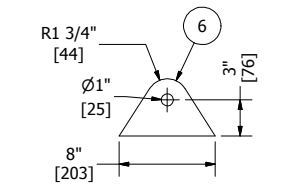
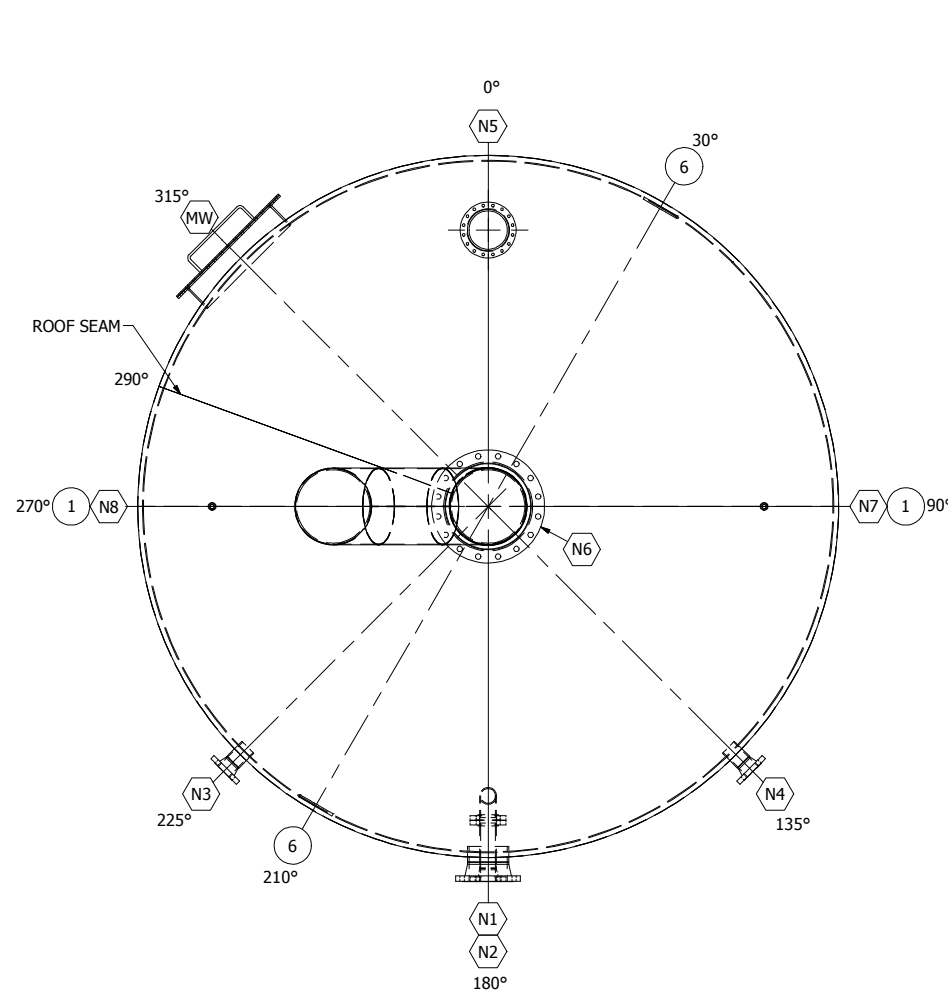
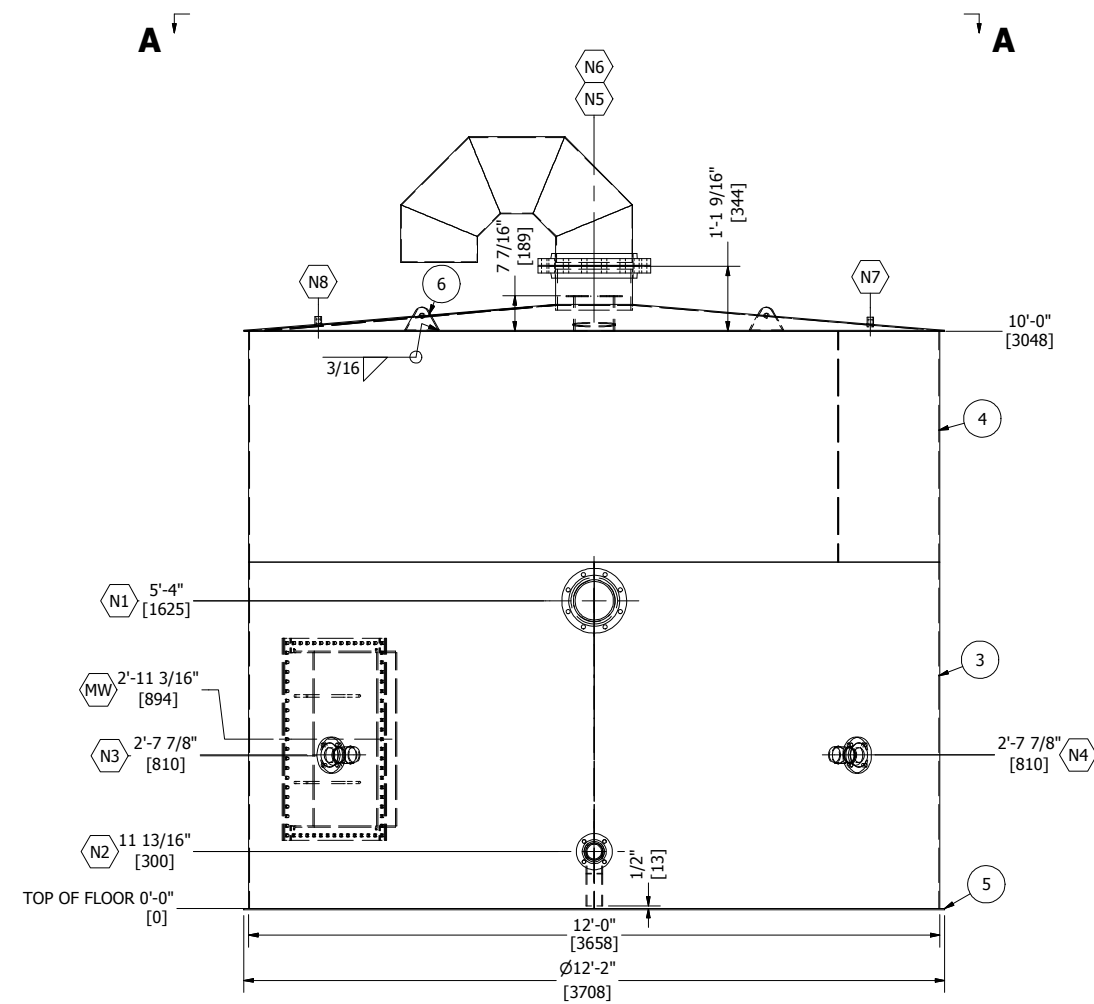
- DESIGNED TO: API 12F MODIFIED
MPI: 100% FLOOR FILLETS
VACUUM BOX: FLOOR AND ROOF WELDS
HYDROTEST: NIL
AIR/SOAP LEAK TEST: 1.5 PSI
- TANK SHELL, ROOF AND FLOOR MATERIAL: G40.21-38W
- FLANGE MATERIAL: SA-350-LF2 CL1
- PIPE MATERIAL: SA-333-GR6
- BOLTING MATERIAL: SA193-B7/SA-194-2H
- EXTERNAL SANDBLAST: SSPC-SP6 (COMMERCIAL)
- EXTERNAL FINISH:
PRIMER: ONE (1) COAT CARBOGUARD 893
TOPCOAT: ONE (1) COAT CARBOTHANE 134 (COLOUR: QC-8315-TAN)
TOPCOAT EXTERNAL FLOOR: ONE (1) COAT DEVTAR 5A (COLOUR: BLACK)
- INTERNAL SANDBLAST: NIL
- INTERNAL FINISH: NIL
- INSULATION: NIL
- ALL BOLT HOLES TO STRADDLE CENTERLINE
- ALL OUTSIDE PROJECTIONS MEASURED ALONG CENTERLINE OF NOZZLE
- ALL INSIDE PROJECTIONS MEASURED ALONG SHORTSIDE OF NOZZLE
- SERIAL NUMBER: 17384

NOZZLE SCHEDULE

MARK	QTY	DESCRIPTION	NPS	CLASS	TYPE	IS PROJ	OS PROJ	DETAIL	WELD A	WELD B	REPAD C	REPAD D	BOM
N1	1	INLET	8"	150	RFWN	1"	6"	4	3/16"				1
N2	1	OUTLET	3"	150	RFWN	6"	6"	4	3/16"				1
N3	1	LSHH	3"	150	RFWN	1"	6"	4	3/16"				1
N4	1	SPARE	3"	150	RFWN	1"	6"	4	3/16"				1
N5	1	THIEF HATCH	8"	-	API	1"	6"	4	3/16"				1
N6	1	VENT	16"	150	RFSO	1"	8"	4	3/16"				1
N7	1	LEVEL GAUGE	3/4"	3000	CPLG	1/4"	-	4	3/16"				1
N8	1	SPARE	3/4"	3000	CPLG	1/4"	-	4	3/16"				1
MW	1	MANWAY	24X36	-	API 12F	1/4"	4 1/2"	4	3/16"				1

BILL OF MATERIALS

ITEM	QTY	REF.	PART No.	DESCRIPTION	LENGTH	MATERIAL	WEIGHT
1	1	-	-	SHELL NOZZLE ASSEMBLIES (SEE DRAWING -203 FOR DETAILS)			674.61
2	1	ROOF	2-012054/55/56	3/16" THK x 65 1/8" RADIUS HALF CIRCLE (12:1 SLOPE)		G40.21-38W	880.72
3	1	SHELL 1	1-013546	3/16" THK x 72" W x 451-3/4" LG, ROLLED TO 144" OD		G40.21-38W	1733.93
4	1	SHELL 2	1-013543	3/16" THK x 48" W x 451-3/4" LG, ROLLED TO 144" OD		G40.21-38W	1155.95
5	2	FLOOR	2-010482/83/84	1/4" THK x 146" OD (2 PCS)		G40.21-38W	1190.00
6	2	LIFT LUG	2-010473	1/2" THK x 8" W x 4 3/4" LG		SA-516-70N	6.39



August 18, 2017

TANK DESIGN SPECIFICATIONS

DESIGN & FABRICATE TO: API-12F (MODIFIED)
DESIGN PRESSURE: 6.89 kPaq (16 oz) @ 93°C (200°F)
DESIGN VACUUM: 0.22 kPaq (0.5 oz) CONTENT SPECIFIC GRAVITY: 0.792
MINIMUM DESIGN METAL TEMP: -40°C (-40°F) STEEL GROUP: N/A
OPERATING PRESSURE: ATM. CORROSION ALLOWANCE: NIL
SNOW LOAD: N/A WIND LOAD: N/A
LIVE LOAD: N/A DEAD LOAD: N/A
SEISMIC: N/A
WEIGHT EMPTY: 6,400 lbs WEIGHT FULL: 61,800 LBS
VOLUME: 31.7m³ (1123ft³)
MODIFIED DESCRIPTION: ANCHOR CHAIRS, NON-FLUSH MANWAY

CHEVRON CANADA LTD.

200BBL POP TANK - TAG#: T-4410 TANK ASSEMBLY		
QUOTE NUMBER: 08837	SALE ORDER: 004785	SIZE
PURCHASE ORDER: 0011715840	JOB ORDER:	D
LOCATION: 03-23 (1130)	D3952	
DATE: 4/06/17	DRAWING NO.:	REV.
SHEET: 2 OF 5	D3952-201	1
CRN DWG: N/A		
CRN NUMBER: N/A		



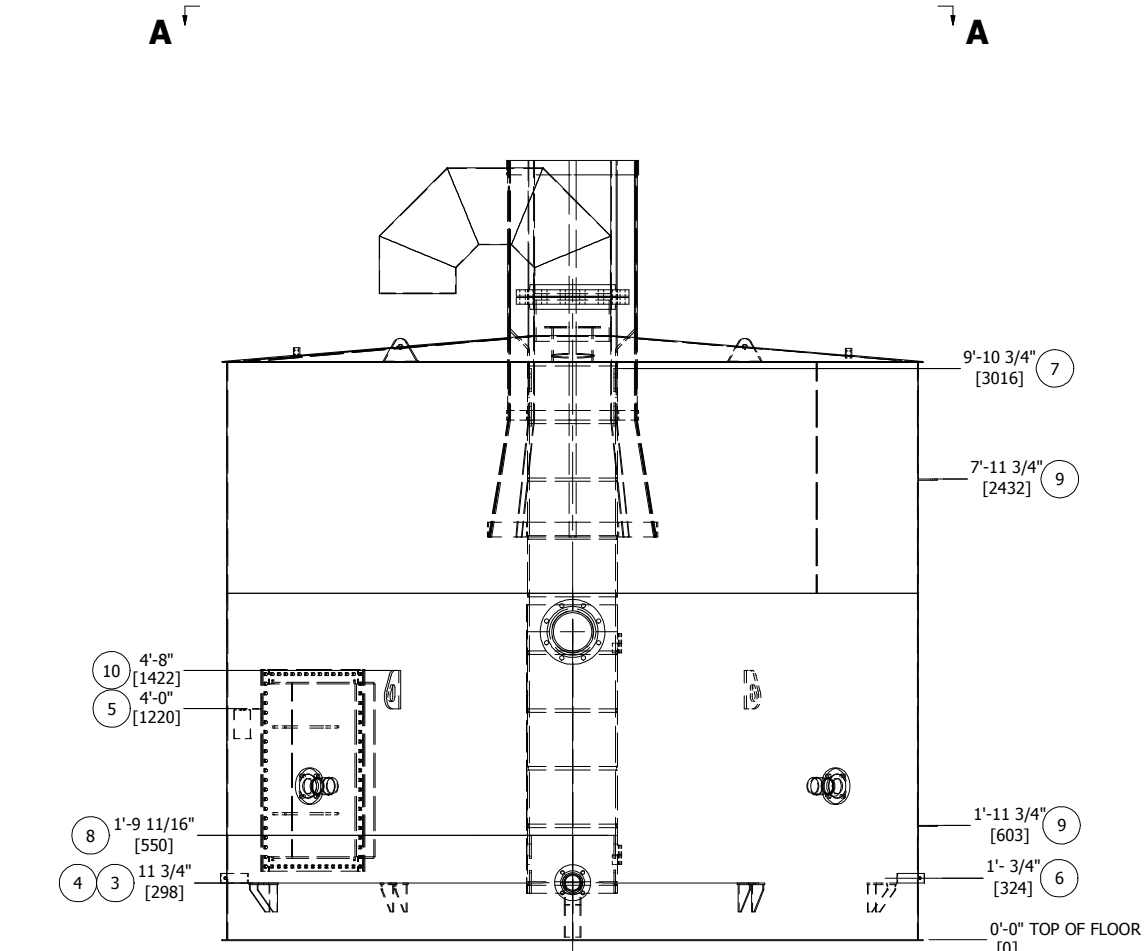
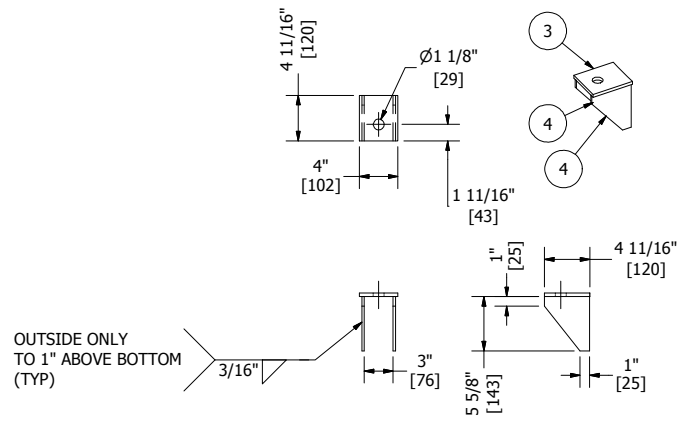
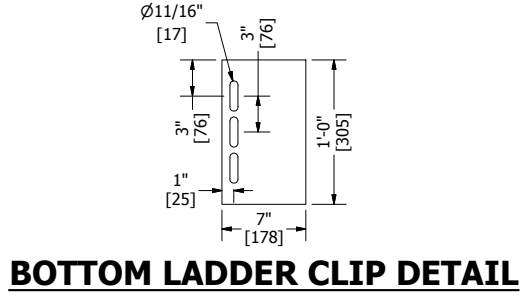
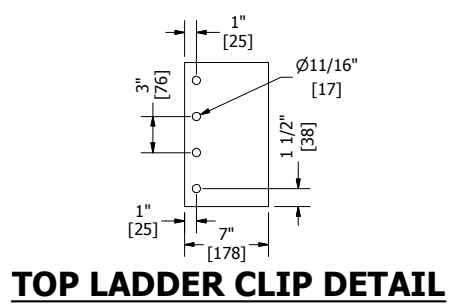
BOX 6106
5815 37 Street
INNISFAIL, AB
CANADA
403-227-7799
1-888-227-4923
FAX 227-7796

REV	DATE	DESCRIPTION	BY	ENG	PM	APP
0	4/21/17	ISSUED FOR FABRICATION	AMC	VZ	AF	
1	7/24/17	AS-BUILT	AMC	VZ	AF	

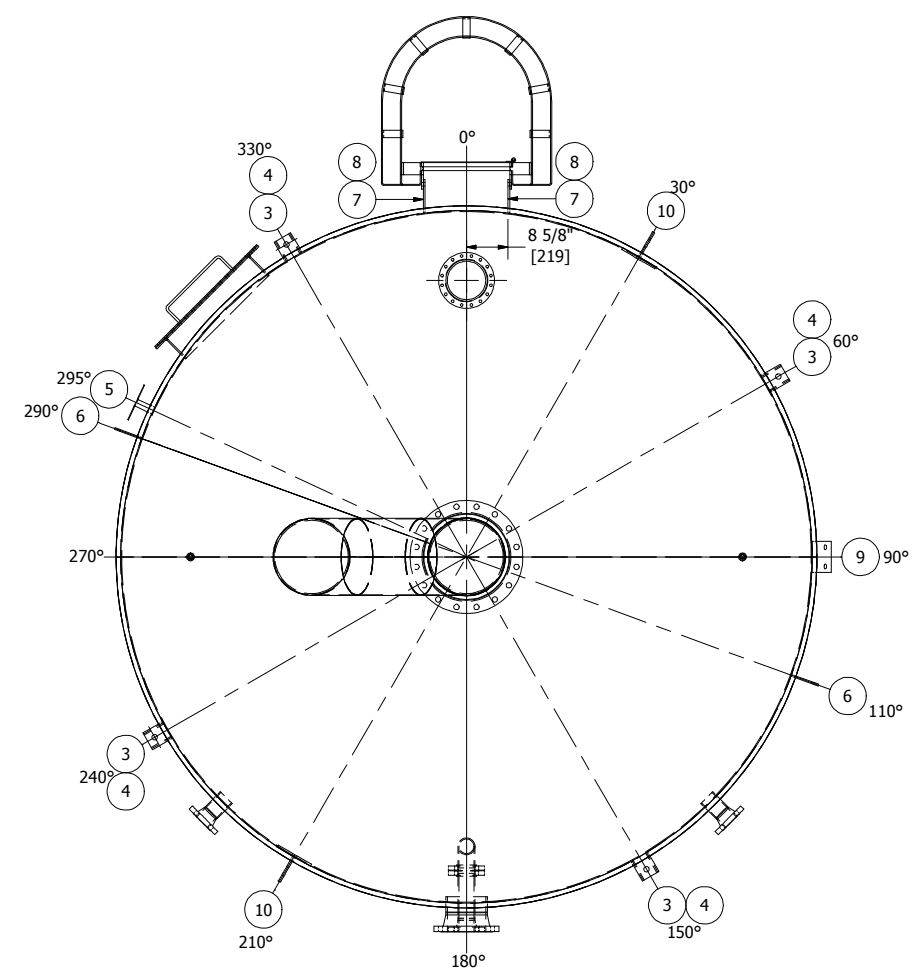
FILE PATH: C:\Workspace\Drafting\Projects\03900-3999\03952\03952.dwg

BILL OF MATERIALS

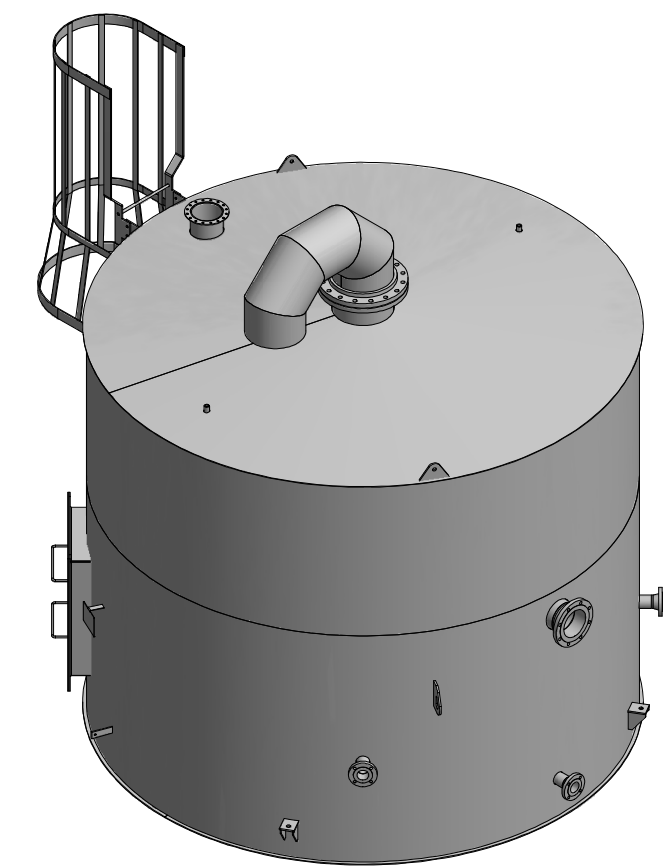
ITEM	QTY	REF.	PART No.	DESCRIPTION	LENGTH	MATERIAL	WEIGHT
1	1		-	TANK SHELL AND NOZZLE ASSEMBLY (SEE DRAWING -201 FOR DETAILS)			5636.77
2	1	LADDER	-	LADDER ASSEMBLY (SEE DRAWING-503 FOR DETAILS)			267.60
3	4	ANCHOR	2-005582	3/8" THK x 4" W x 4 11/16" LG		G40.21-38W	7.59
4	8	ANCHOR	2-005583	1/4" THK x 4 11/16" W x 5 5/8" LG		G40.21-38W	10.17
5	1	NAMEPLATE	2-000219	6" x 8" NAMEPLATE BRACKET		A-1011	2.07
6	2	GROUND LUG	2-006876	GROUND LUG 3/8" THK x 2" W x 6" LG w/ HOLE		G40.21-38W	2.52
7	2	LADDER	2-008388	LADDER CLIP TOP 3/8" THK x 7" W x 12" LG w/ HOLES		G40.21-38W	17.60
8	2	LADDER	2-008389	LADDER CLIP MID 3/8" THK x 7" W x 12" LG w/ SLOT		G40.21-38W	16.88
9	2	LEVEL GAUGE	2-008017	GAUGE BOARD TABS 1/4" THK (TEMPLATE #14)		G40.21-38W	3.58
10	2	TIE DOWN	2-004400	TIE DOWN LUG: 1/2" THK x 8" x 6" (TEMPLATE#8)		G40.21-38W	9.96



ELEVATION VIEW



ORIENTATION VIEW A-A



ISOMETRIC VIEW

1	ATTACHMENT
---	------------



August 18, 2017

REGISTERED WELDING PROCEDURE NUMBER				
WELD DETAIL	ROOT	HOT PASS	FILL AND CAP	GOUGE/BACKWELD
1	BMW-39	BMW-39	BMW-39	N/A
1	BMW-7	BMW-7	BMW-7	N/A

REV	DATE	DESCRIPTION	BY	ENG	PM	APP
0	4/21/17	ISSUED FOR FABRICATION	AMC	VZ	AF	
1	7/24/17	AS-BUILT	AMC	VZ	AF	



BOX 6106
5815 37 Street
INNISFAIL, AB
CANADA
403-227-7799
1-888-227-4923
FAX 227-7796

CHEVRON CANADA LTD.

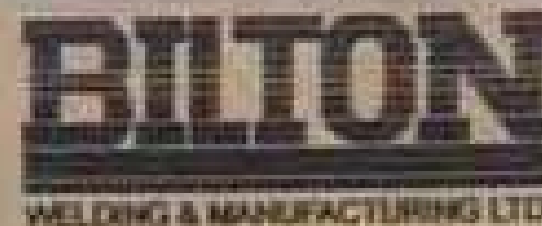
200BBL POP TANK - TAG#: T-4410
WELDED ATTCHMENTS

QUOTE NUMBER: 08837	SALE ORDER: 004785
PURCHASE ORDER: 0011715840	JOB ORDER:
LOCATION: 03-23 (1130)	D3952
DATE: 4/06/17	SIZE D
SHEET: 4 OF 5	DRAWING NO.:
CRN DWG: N/A	D3952-301
CRN NUMBER: N/A	REV. 1

This drawing is property of BILTON WELDING AND MANUFACTURING LTD and is lent to the recipient for their confidential use only. In consideration of the loan of this drawing, the recipient promises and agrees that it shall not be used in any way detrimental to the interests of BILTON WELDING AND MANUFACTURING LTD, that it shall be returned upon request, and shall not be reproduced, copied, lent, or otherwise disposed of, directly or indirectly, without the written consent of BILTON WELDING AND MANUFACTURING LTD.

FILE PATH: C:\Workspace\Drafting\Projects\3990-3999\3992\3952\3952.dwg

**MADE IN
CANADA**



**INNISFAIL
ALBERTA**

CODE: API-12F
SERIAL NO: 17384
NOMINAL DIAMETER: 12' 0"
DESIGN LIQUID LEVEL: 10' 0"
MAXIMUM CAPACITY: 31.7 m³
DESIGN PRESSURE: 6.89 kPag @ 93°C
DESIGN VACUUM: 0.22 kPag
CORROSION ALLOW: NIL

YEAR COMPLETED: 2017
DES. SPEC. GRAVITY: 0.792
DESIGN METAL TEMP: -40°C
MAX DESIGN TEMP: 93°C
TEST: MPI/VACUUM/AIR
NOMINAL HEIGHT: 10' 0"
TAG NO: T-4410

SHELL COURSE:	MATERIAL:	THICKNESS:
Primary Floor	G40.21-38W	1/4"
Primary Shell	G40.21-38W	3/16"
Roof	G40.21-38W	3/16"
2ndary Shell	G40.21-38W	3/16"

INTERNAL COATING:
NIL

EXTERNAL COATING:
CARBOGUARD 893
CARBOTHANE 134 (color: QC-8315-Tan)
FLOOR: DEVTAL 5A (color: Black)