

STANTEC
DOCUMENT PROCESSING STAMP

A - PROCEED I/O - DATA ACCEPTED FOR INFORMATION ONLY

B - PROCEED, CHANGE AS NOTED AND RESUBMIT BY: C - DO NOT PROCEED, CHANGE AS NOTED AND RESUBMIT BY:

RESUBMITTAL DATE FOR STATUS B: _____ RESUBMITTAL DATE FOR STATUS C: _____

SIGN: M.Y. DATE SIGNED: 2018-04-06

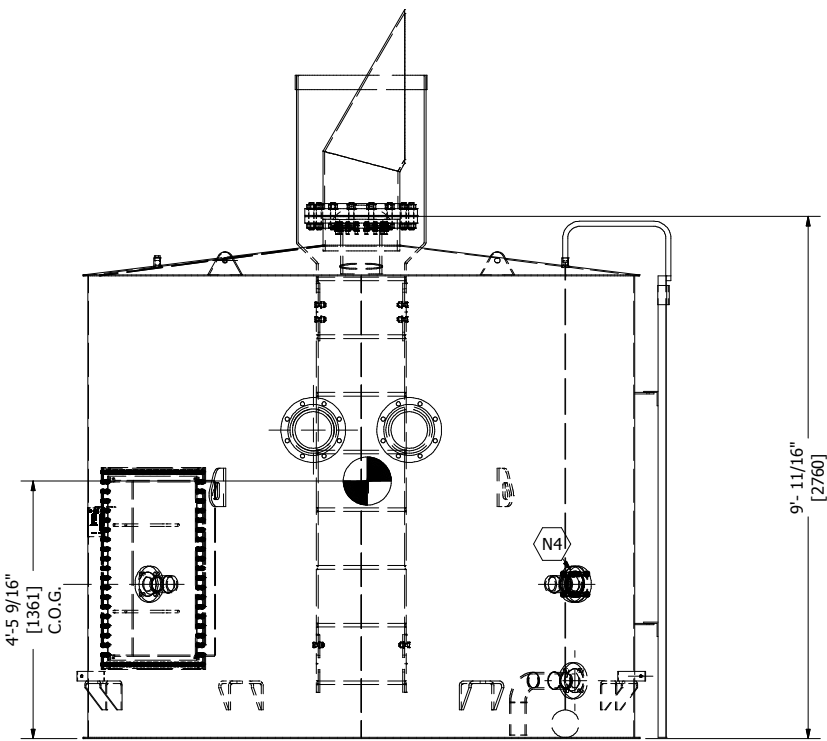
VDRL CODE(S): DM01

AUTHORIZATION TO PROCEED DOES NOT WAIVE SUPPLIER'S RESPONSIBILITY OR LIABILITY UNDER THE CONTRACT/PURCHASE ORDER FOR COMPLIANCE WITH THE REQUIREMENTS OF THE DRAWINGS AND SPECIFICATIONS

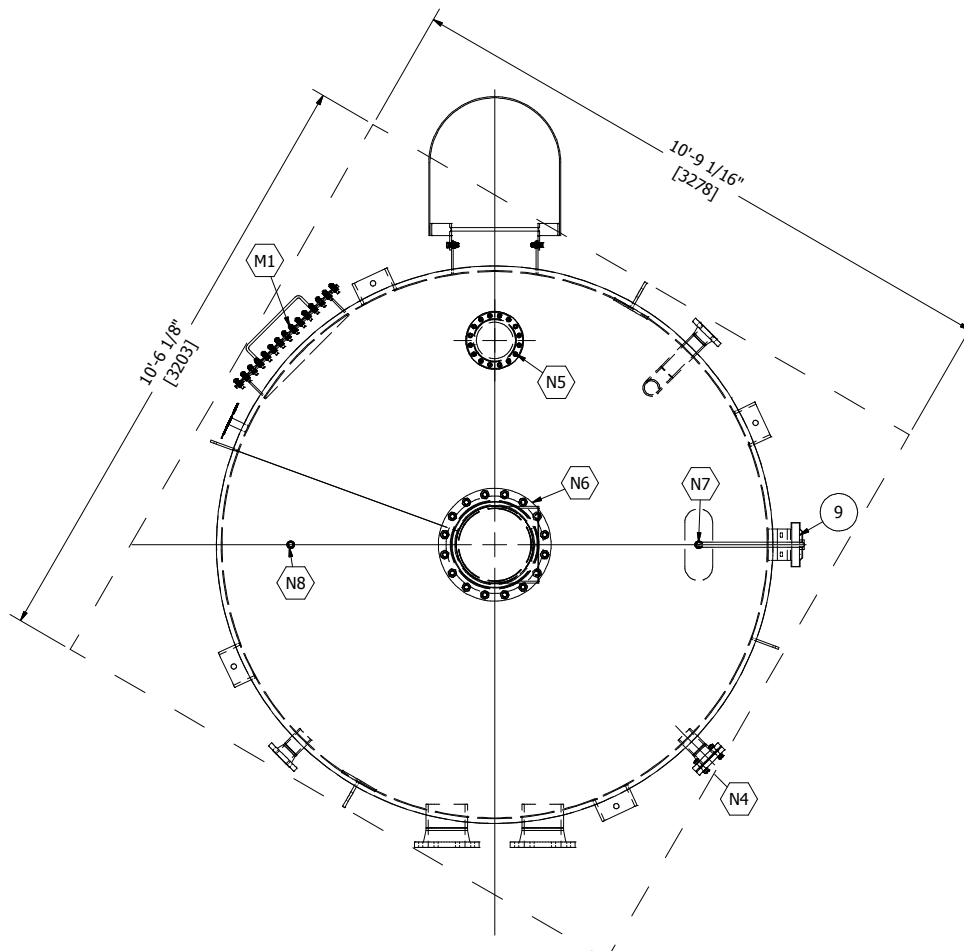
GENERAL NOTES:

1. ALL OPENINGS TO BE COVERED PRIOR TO SHIPPING
2. VENT GOOSENECK AND LADDER TO BE SHIPPED LOOSE
3. APPROXIMATE SHIPPING WEIGHT: 4,800 LBS
4. SHIPPING DIMENSIONS: 10'-10" W x 9'-3" H x 10'-7" LG
5. TANK TO BE SHIPPED STANDING VERTICAL

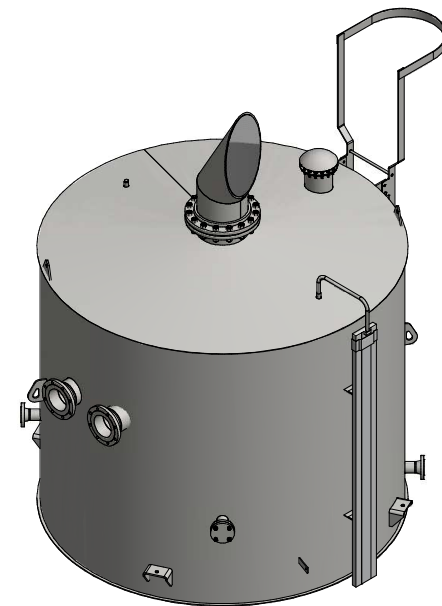
BILL OF MATERIALS							
ITEM	QTY	REF.	PART No.	DESCRIPTION	LENGTH	MATERIAL	WEIGHT
1	1	N4	1-000978	3" x CLASS 150 RF BLIND FLG		SA-350-LF2	10.95
2	1	N4	1-001297	3" x CLASS 150 RF "CG" GRAPHITE FILLED GASKET		316SS	0.37
3	4	N4	1-002626	5/8" DIA x 3 1/2" LG STUD		SA-193-B7	1.25
4	8	N4	1-001867	5/8" DIA HEX NUT		SA-194-2H	1.04
5	1	N5	1-005972	HAWKEYE MODEL 200 THIEFHATCH SET @16OZ		SA-36	82.62
6	1	N5	1-004683	1/8" THK x 8" THIEF HATCH GASKET		NEOPRENE	0.18
7	168	N5,M1	1-001864	1/2" DIA HEX NUT		SA-194-2H	12.05
8	84	N5	1-002614	1/2" DIA x 2 1/2" LG STUD		SA-193-B7	12.00
9	1	N7	1-022647	TGS-6010 LIQUID LEVEL INDICATOR (8" HIGH TANK)			246.67
10	1	N8	1-004894	3/4" NPT HEX HEAD PLUG		SA-350-LF2-CL1	0.26
11	1	-	1-015458	6" x 8" NAMEPLATE		304SS	0.50
12	1	-	-	TANK WELDED ATTACHMENTS (SEE DRAWING -301)			4150.03
13	1	M1	1-001256	GASKET:1 3/4" x 1/8" THK PREPUNCHED 2" C TO C		NEOPRENE	0.93
14	6	LADDER	1-014369	5/8" DIA x 1 3/4" LG STRUCTURAL HEX BOLT, c/w NUT AND WASHER		SA-325	2.43
15	2	TGS	1-000432	CLIP WIRE ROPE SS 1/8			
16	32	N6	1-001876	1" DIA HEX NUT		SA-194-2H	15.08
17	16	N6	1-002666	1" DIA x 5 1/2" LG STUD		SA-193-B7	20.07
18	1	N6	1-012971	16" x CLASS 150 RF "CG" GRAPHITE FILLED GASKET		316SS	3.80
							4560.21



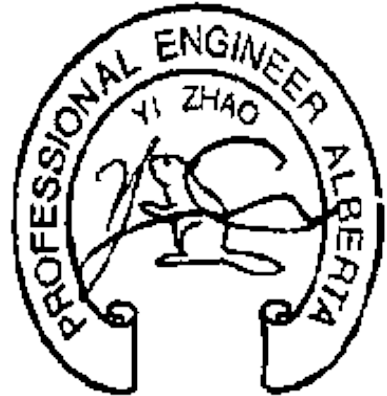
ELEVATION VIEW



ORIENTATION VIEW A-A



ISOMETRIC VIEW



APRIL 05, 2018

REV	DATE	DESCRIPTION	BY	ENG	PM	APP
0	10/5/2017	ISSUED FOR FABRICATION	AMC	VZ	DG	
1	04/05/2018	AS BUILT	AMC	VZ	DG	

BILTON
Welding and Manufacturing Ltd.

BOX 6106
5815 37 Street
INNISFAIL, AB
CANADA
403-227-7799
1-888-227-4923
FAX 227-7796

This drawing is property of BILTON WELDING AND MANUFACTURING LTD and is lent to the recipient for their confidential use only. In consideration of the loan of this drawing, the recipient promises and agrees that it shall not be used in any way detrimental to the interests of BILTON WELDING AND MANUFACTURING LTD, that it shall be returned upon request, and shall not be reproduced, copied, lent, or otherwise disposed of, directly or indirectly, without the written consent of BILTON WELDING AND MANUFACTURING LTD.

CHEVRON CANADA LTD.

100BBL POP TANK - TAG#: T-4410
TANK FINAL ASSEMBLY

QUOTE NUMBER: 09175	SALE ORDER: 004960
PURCHASE ORDER: 0011748291	JOB ORDER: D4222
LOCATION: 03-22	SIZE: D
DATE: 9/8/2017	
SHEET: 1 OF 5	DRAWING NO.: D4222-101
CRN DWG: N/A	REV: 1
CRN NUMBER: N/A	

FILE PATH: C:\Workspace\Drafting\Projects\D4200-4299\D4214\D4222.idw