

GENERAL NOTES:

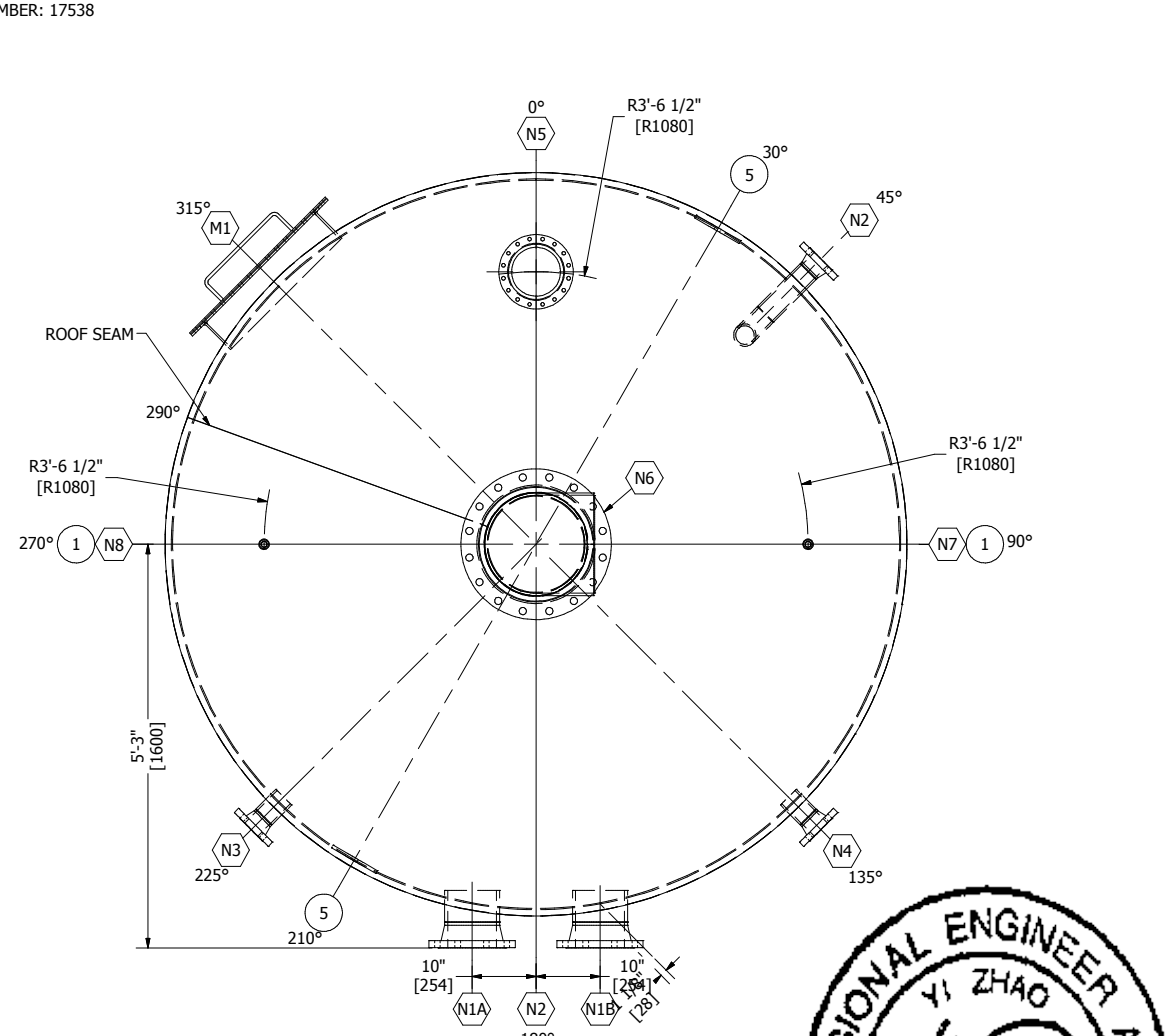
- DESIGNED TO: API 12F MODIFIED
MPI: 100% FLOOR FILLETS, NOZZLE WELDS, ATTACHMENTS
VACUUM BOX: N/A
HYDROTEST: NIL
AIR/SOAP LEAK TEST: 1.5 PSIG
- TANK SHELL, ROOF AND FLOOR MATERIAL: G40.21-38W
- FLANGE MATERIAL: SA-350-LF2 CL1
- PIPE MATERIAL: SA-333-GR6
- BOLTING MATERIAL: SA193-B7/SA-194-2H
- EXTERNAL SANDBLAST: SSPC-SP6 (COMMERCIAL)
- EXTERNAL FINISH:
PRIMER: ONE (1) COAT CARBOGUARD 893
TOPCOAT: ONE (1) COAT CARBOTHANE 134 (COLOUR: QC-8315-TAN)
TOPCOAT EXTERNAL FLOOR: ONE (1) COAT DEVTAR 5A (COLOUR: BLACK)
- INTERNAL SANDBLAST: NIL
- INTERNAL FINISH: NIL
- INSULATION: NIL
- ALL BOLT HOLES TO STRADDLE CENTERLINE
- ALL OUTSIDE PROJECTIONS MEASURED ALONG CENTERLINE OF NOZZLE
- ALL INSIDE PROJECTIONS MEASURED ALONG SHORTSIDE OF NOZZLE
- SERIAL NUMBER: 17538

NOZZLE SCHEDULE

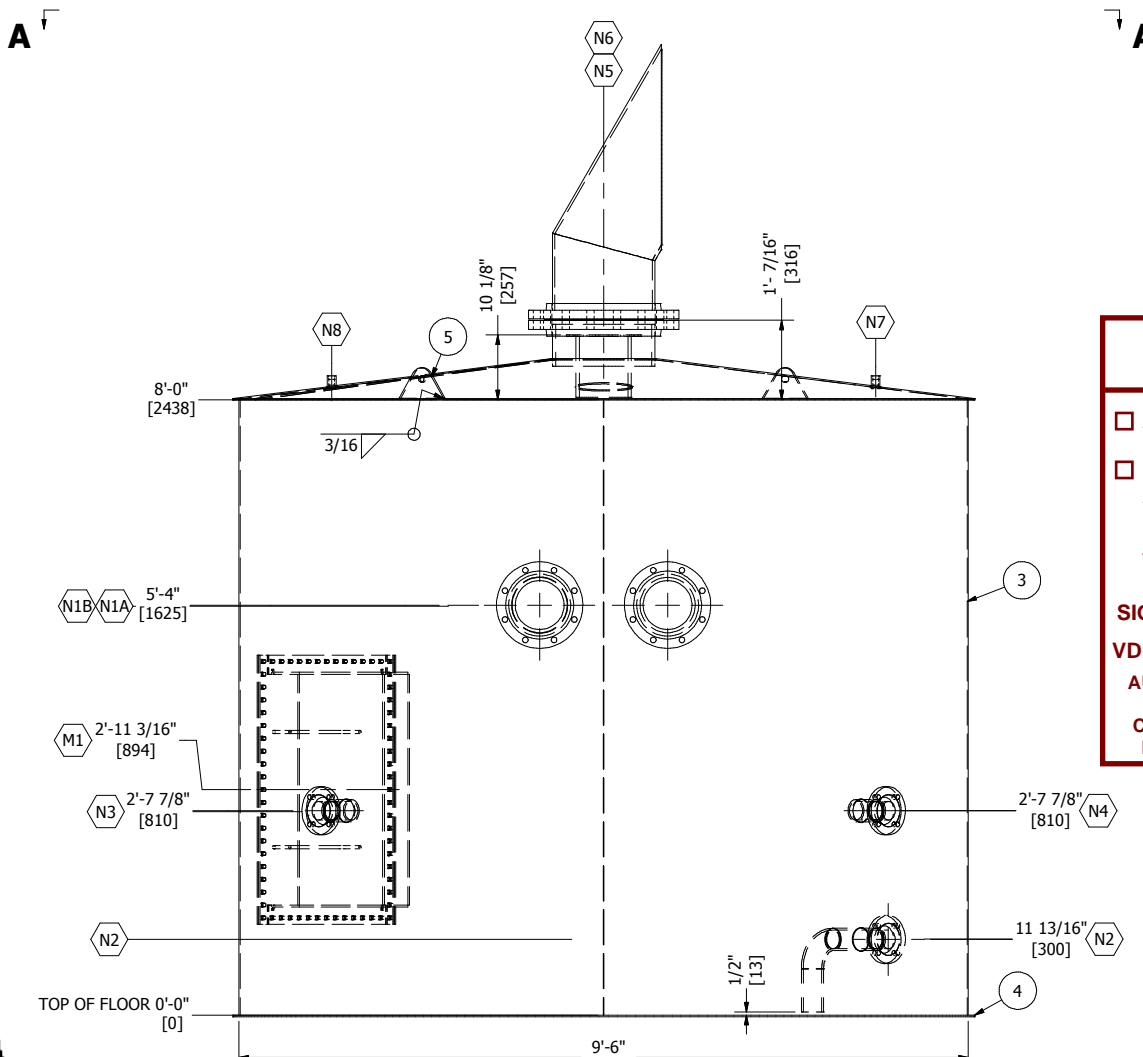
MARK	QTY	DESCRIPTION	NPS	CLASS	TYPE	IS PROJ	OS PROJ	DETAIL	WELD A	WELD B	REPAD C	REPAD D	BOM ITEM NUMBER
N1A/B	2	INLET	8"	150	RFWN	1"	SHOWN	4	3/16"				1
N2	1	OUTLET	3"	150	RFWN	6"	6"	4	3/16"				1
N3	1	LSHH	3"	150	RFWN	1"	6"	4	3/16"				1
N4	1	SPARE	3"	150	RFWN	1"	6"	4	3/16"				1
N5	1	THIEF HATCH	8"	-	API	1"	8"	4	3/16"				1
N6	1	VENT	16"	150	RFSO	1"	6"	4	3/16"				1
N7	1	LEVEL GAUGE	3/4"	3000	CPLG	1/4"	-	4	3/16"				1
N8	1	SPARE	3/4"	3000	CPLG	1/4"	-	4	3/16"				1
M1	1	MANWAY	24X36	-	API 12F	3/16"	4 1/4"	4	3/16"				1

BILL OF MATERIALS

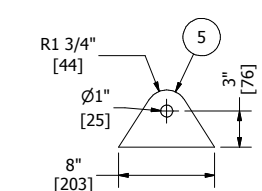
ITEM	QTY	REF.	PART No.	DESCRIPTION	LENGTH	MATERIAL	WEIGHT
1	1	-	-	SHELL NOZZLE ASSEMBLIES (SEE DRAWING -203 FOR DETAILS)			813.54
2	1	ROOF	2-012623	3/16" THK x 50 5/16" RADIUS HALF CIRCLE (12:1 1/2 SLOPE)		G40.21-38W	552.86
3	1	SHELL	1-018083	SHELL 3/16" THK x 96" W x 358 1/16" LG, ROLLED TO 114" OD		G40.21-38W	1829.56
4	1	FLOOR	2-012622	FLOOR 1/4" THK x 116" OD		G40.21-38W	751.20
5	2	LIFT LUG	2-010473	1/2" THK x 8" W x 4 3/4" LG		SA-516-70N	6.39
							3953.55



ORIENTATION VIEW A-A



ELEVATION VIEW



LIFT LUG DETAIL
MINIMUM SLING ANGLE 70°

STANTEC
DOCUMENT PROCESSING STAMP

A - PROCEED I/O - DATA ACCEPTED FOR INFORMATION ONLY

B - PROCEED, CHANGE AS NOTED AND RESUBMIT BY: C - DO NOT PROCEED, CHANGE AS NOTED AND RESUBMIT BY:

RESUBMITTAL DATE FOR STATUS B RESUBMITTAL DATE FOR STATUS C

SIGN: M.Y. DATE SIGNED: 2018-04-06

VDRL CODE(S): DM02

AUTHORIZATION TO PROCEED DOES NOT WAIVE SUPPLIER'S RESPONSIBILITY OR LIABILITY UNDER THE CONTRACT/PURCHASE ORDER FOR COMPLIANCE WITH THE REQUIREMENTS OF THE DRAWINGS AND SPECIFICATIONS

TANK DESIGN SPECIFICATIONS

DESIGN & FABRICATE TO: API-12F (MODIFIED)
DESIGN PRESSURE: 6.89 kPag (16 oz) @ 93°C (200°F)
DESIGN VACUUM: 0.22 kPag (0.5 oz) CONTENT SPECIFIC GRAVITY: 0.792
MINIMUM DESIGN METAL TEMP: -40°C(-40°F) STEEL GROUP: N/A
OPERATING PRESSURE: ATM. CORROSION ALLOWANCE: NIL
SNOW LOAD: N/A WIND LOAD: N/A
LIVE LOAD: N/A DEAD LOAD: N/A
SEISMIC: N/A
WEIGHT EMPTY: 4,800 lbs WEIGHT FULL: 39,800 lbs
VOLUME: 15.91m ³ (562ft ³)
MODIFIED DESCRIPTION: ANCHOR CHAIRS, NON-FLUSH MANWAY



APRIL 05, 2018

REGISTERED WELDING PROCEDURE NUMBER				
WELD DETAIL	ROOT	HOT PASS	FILL AND CAP	GOUGE/BACKWELD
1	BMW-8 OR BWM-39	BMW-8 OR BWM-39	BMW-8 OR BWM-39	GTSM/BMW-8 OR 39
2,3,4	BMW-39	BMW-39	BMW-39	N/A

1	2	3	4
SEAMS	FLOOR TO SHELL	ROOF TO SHELL	NOZZLE NECK & CPLG

REV	DATE	DESCRIPTION	BY	ENG	PM	APP
0	10/5/2017	ISSUED FOR FABRICATION	AMC	VZ	DG	
1	04/05/2018	AS BUILT	AMC	VZ	DG	

BILTON
Welding and Manufacturing Ltd.

BOX 6106
5815 37 Street
INNISFAIL, AB
CANADA
403-227-7799
1-888-227-4923
FAX 227-7796

This drawing is property of BILTON WELDING AND MANUFACTURING LTD and is lent to the recipient for their confidential use only. In consideration of the loan of this drawing, the recipient promises and agrees that it shall not be used in any way detrimental to the interests of BILTON WELDING AND MANUFACTURING LTD, that it shall be returned upon request, and shall not be reproduced, copied, lent, or otherwise disposed of, directly or indirectly, without the written consent of BILTON WELDING AND MANUFACTURING LTD.

CHEVRON CANADA LTD.		
100BBL POP TANK - TAG#: T-4410 TANK ASSEMBLY		
QUOTE NUMBER: 09175	SALE ORDER: 004960	SIZE
PURCHASE ORDER: 0011748291	JOB ORDER:	D
LOCATION: 03-22	D4222	
DATE: 9/8/2017	DRAWING NO.:	REV.
SHEET: 2 OF 5	D4222-201	1
CRN DWG: N/A		
CRN NUMBER: N/A		