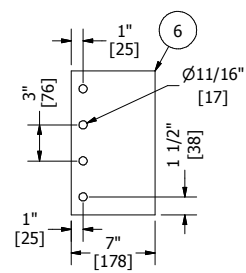
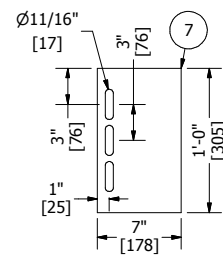


**BILL OF MATERIALS**

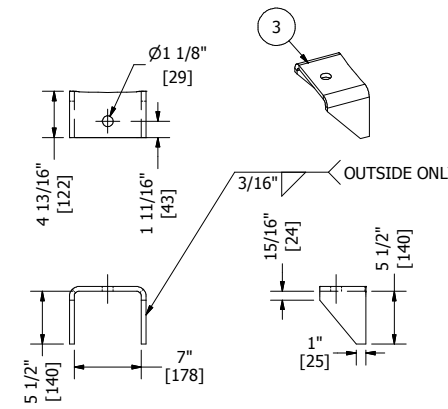
ITEM	QTY	REF.	PART No.	DESCRIPTION	LENGTH	MATERIAL	WEIGHT
1	1		-	TANK SHELL AND NOZZLE ASSEMBLY (SEE DRAWING -201 FOR DETAILS)			3948.64
2	1	LADDER	-	LADDER ASSEMBLY (SEE DRAWING-503 FOR DETAILS)			109.44
3	4	ANCHOR	2-012626	1/2" THK x 7" W x 4 13/16" LG		G40.21-38W	39.34
4	1	NAMEPLATE	2-000219	6" x 8" NAMEPLATE BRACKET		A-1011	2.07
5	2	GROUND LUG	2-006876	GROUND LUG 3/8" THK x 2" W x 6" LG w/ HOLE		G40.21-38W	2.52
6	2	LADDER	2-008388	LADDER CLIP TOP 3/8" THK x 7" W x 12" LG w/ HOLES		G40.21-38W	17.60
7	2	LADDER	2-008389	LADDER CLIP MID 3/8" THK x 7" W x 12" LG w/ SLOT		G40.21-38W	16.88
8	2	LEVEL GAUGE	2-008017	GAUGE BOARD TABS 1/4" THK (TEMPLATE #14)		G40.21-38W	3.58
9	2	TIE DOWN	2-004400	TIE DOWN LUG: 1/2" THK x 8" x 6" (TEMPLATE#8)		G40.21-38W	9.96



**TOP LADDER CLIP DETAIL**



**BOTTOM LADDER CLIP DETAIL**



**ANCHOR DETAIL**

**STANTEC**  
DOCUMENT PROCESSING STAMP

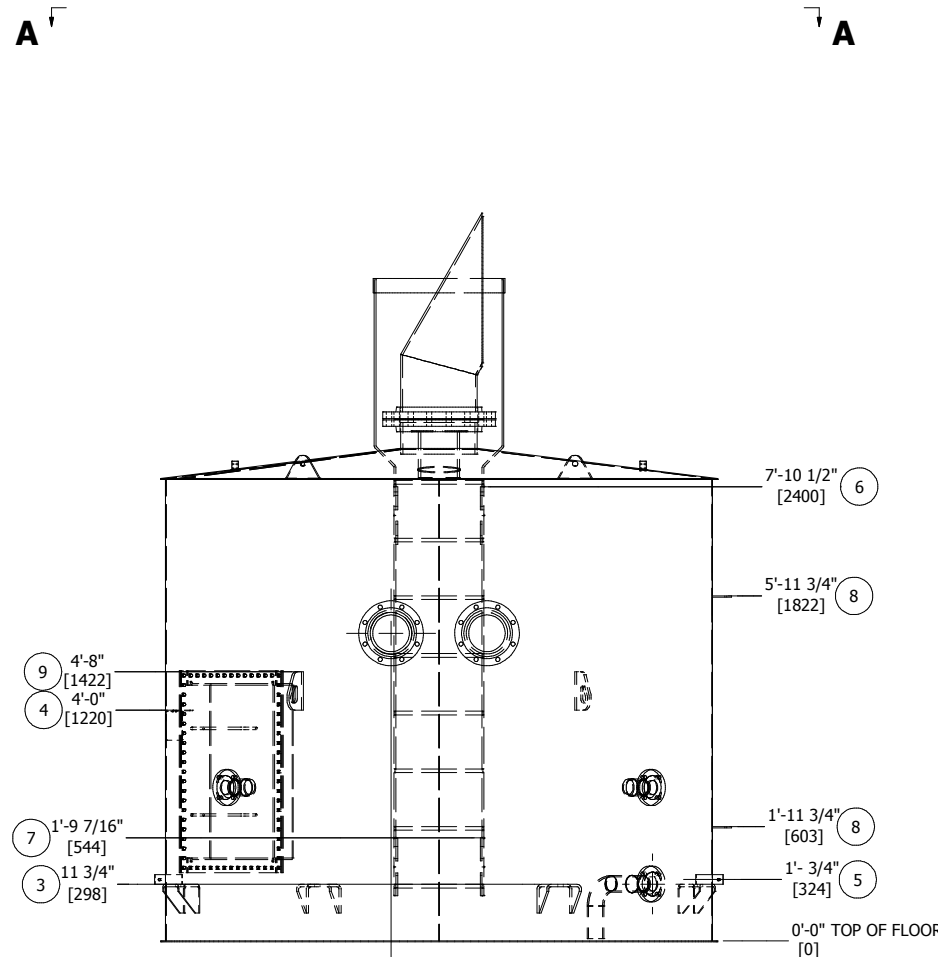
A - PROCEED                       I/O - DATA ACCEPTED FOR INFORMATION ONLY  
 B - PROCEED, CHANGE AS NOTED AND RESUBMIT BY:                       C - DO NOT PROCEED, CHANGE AS NOTED AND RESUBMIT BY:

RESUBMITTAL DATE FOR STATUS B \_\_\_\_\_ RESUBMITTAL DATE FOR STATUS C \_\_\_\_\_

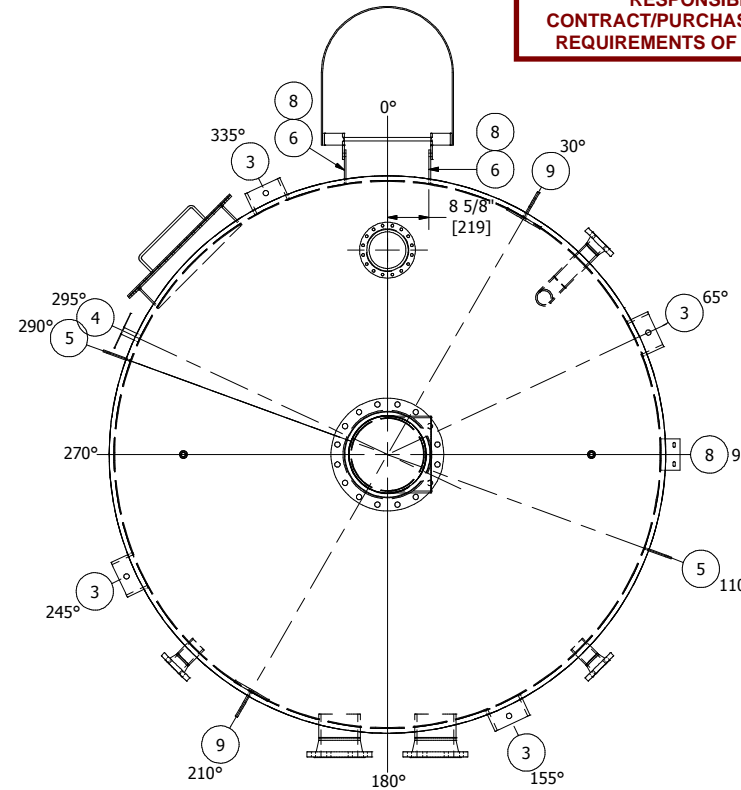
SIGN: M.Y.                      DATE SIGNED: 2018-04-06

VDRL CODE(S): DM02

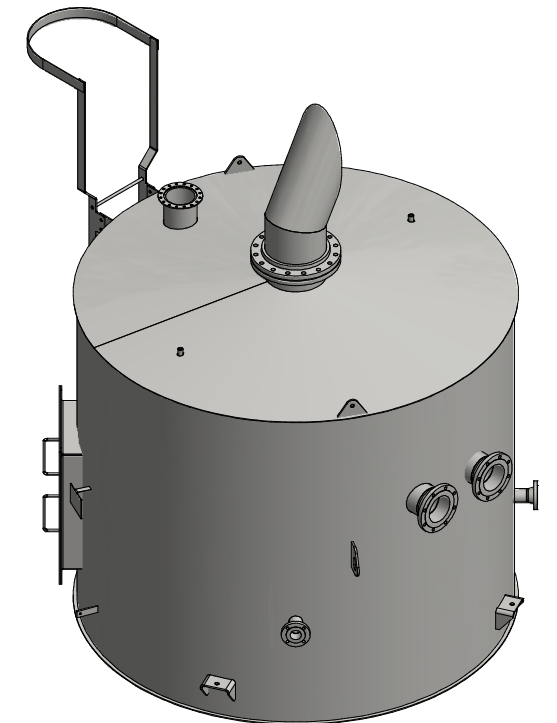
AUTHORIZATION TO PROCEED DOES NOT WAIVE SUPPLIER'S RESPONSIBILITY OR LIABILITY UNDER THE CONTRACT/PURCHASE ORDER FOR COMPLIANCE WITH THE REQUIREMENTS OF THE DRAWINGS AND SPECIFICATIONS



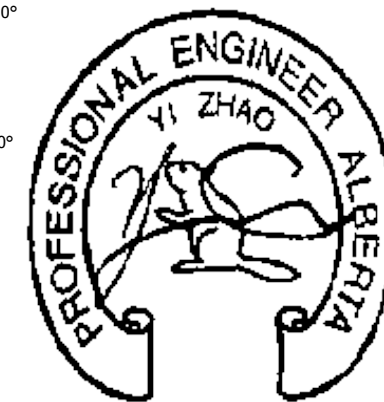
**ELEVATION VIEW**



**ORIENTATION VIEW A-A**



**ISOMETRIC VIEW**



APRIL 05, 2018

1	ATTACHMENT
---	------------

BWM-7 FOR POSITION WELDS

REGISTERED WELDING PROCEDURE NUMBER				
WELD DETAIL	ROOT	HOT PASS	FILL AND CAP	GOUGE/BACKWELD
1	BMW-39	BMW-39	BMW-39	N/A

REV	DATE	DESCRIPTION	BY	ENG	PM	APP
0	10/5/2017	ISSUED FOR FABRICATION	AMC	VZ	DG	
1	04/05/2018	AS BUILT	AMC	VZ	DG	

**BILTON**  
Welding and Manufacturing Ltd.

BOX 6106  
5815 37 Street  
INNISFAIL, AB  
CANADA  
403-227-7799  
1-888-227-4923  
FAX 227-7796

This drawing is property of BILTON WELDING AND MANUFACTURING LTD and is lent to the recipient for their confidential use only. In consideration of the loan of this drawing, the recipient promises and agrees that it shall not be used in any way detrimental to the interests of BILTON WELDING AND MANUFACTURING LTD, that it shall be returned upon request, and shall not be reproduced, copied, lent, or otherwise disposed of, directly or indirectly, without the written consent of BILTON WELDING AND MANUFACTURING LTD.

<b>CHEVRON CANADA LTD.</b>		
100BBL POP TANK - TAG#: T-4410 WELDED ATTACHMENTS		
QUOTE NUMBER: 09175	SALE ORDER: 004960	SIZE
PURCHASE ORDER: 0011748291	JOB ORDER:	<b>D4222</b>
LOCATION: 03-22		<b>D</b>
DATE: 9/8/2017		
SHEET: 4 OF 5	DRAWING NO.:	REV.
CRN DWG: N/A	<b>D4222-301</b>	<b>1</b>
CRN NUMBER: N/A		