

**Association of Professional Engineers & Geoscientists
of Saskatchewan**
CERTIFICATE OF AUTHORIZATION
950347 Alberta Ltd. / a Hood Tech
 Number 23970
 Permission to Consult held by:
 Discipline Process Sk. Reg. No. 26061 Signature K. Sapan



REFERENCE DRAWINGS		
DESCRIPTION	DRAWING	REV
GENERAL ARRANGEMENT	FE12031-GA	0
SKID	FE12031-SKID	1

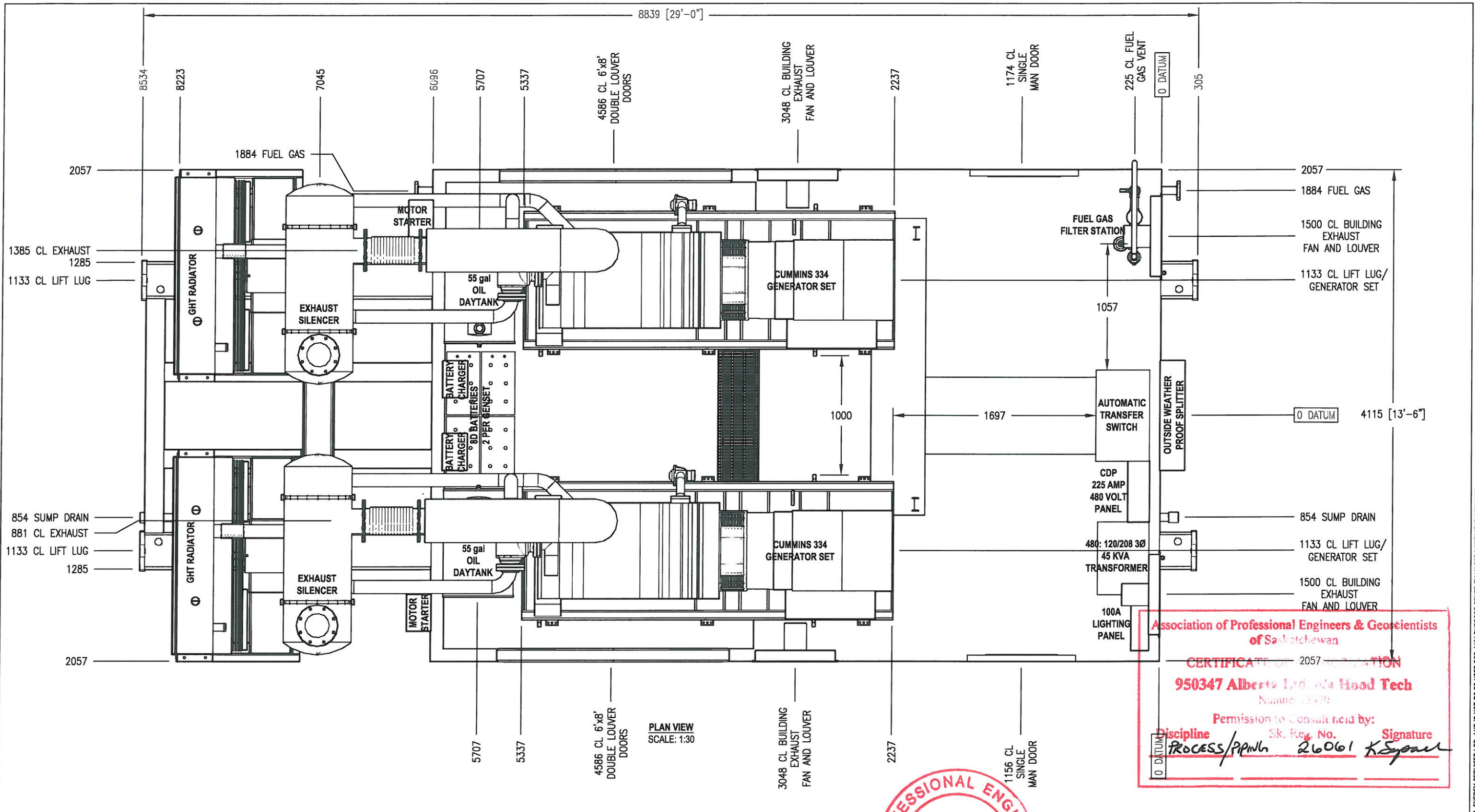
REVISIONS				
REV	DESCRIPTION	DATE	DWN BY	CHK BY
A	ISSUED FOR APPROVAL	15.04.12	JW	JC
0	ISSUED FOR CONSTRUCTION	23.04.12	JW	JC
1	ISSUED FOR CONSTRUCTION	02.05.12	JW	JW
2	ISSUED FOR CONSTRUCTION	06.05.12	DH	JW

STAMP			
PROJECT	REV	DWG	SHEET
FE12031	2	FE12031-PID	1/1

FUEL ENERGY SERVICES LTD.
 BAY 1, BURNT BLUFF STREET
 RED DEER, ALBERTA
 CANADA
 T4P 0J6
 PHONE (403) 346-4656
 FAX (403) 343-3994

Fuel Energy Services
 DUAL CUMMINS 334KW GENSET
 PIPING UTILITIES

THIS DRAWING IS THE PROPERTY OF FUEL ENERGY SERVICES LTD. AND IS NOT TO BE USED FOR ANY PURPOSE OTHER THAN FOR WHICH IT IS INTENDED.

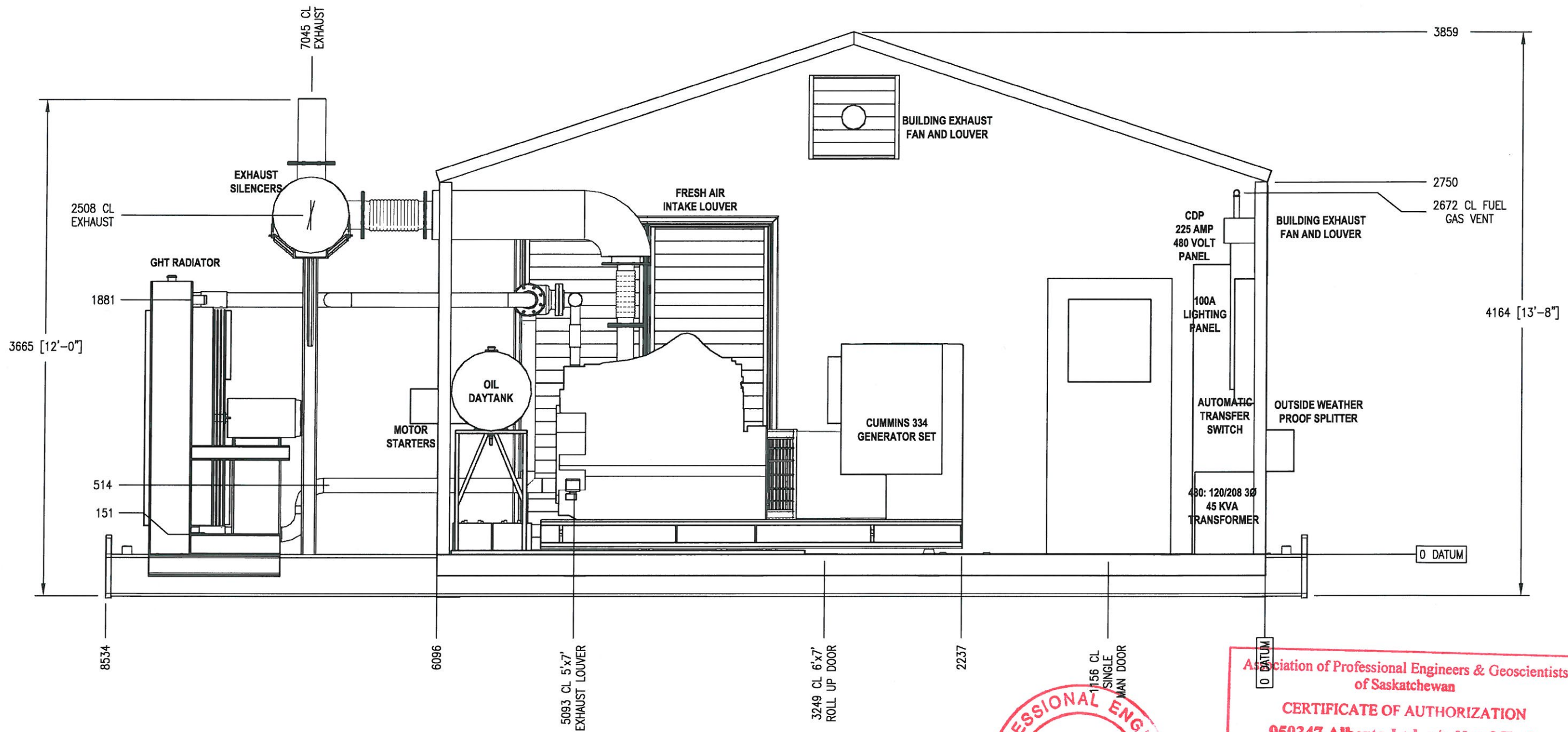


REFERENCE DRAWINGS			REVISIONS					STAMP
DESCRIPTION	DRAWING	REV	REV	DESCRIPTION	DATE	DWN BY	CHK BY	APR BY
SKID	FE12031-SKID	0	0	ISSUED FOR CONSTRUCTION	15.04.12	DMH	JW	JC
CUMMINS GENSET	0500-3801	B						
MUFFLER STAND	FE12031-MUFF	0						
PROCESS & INSTRUMENT DIAGRAM	FE12031-PID	0						

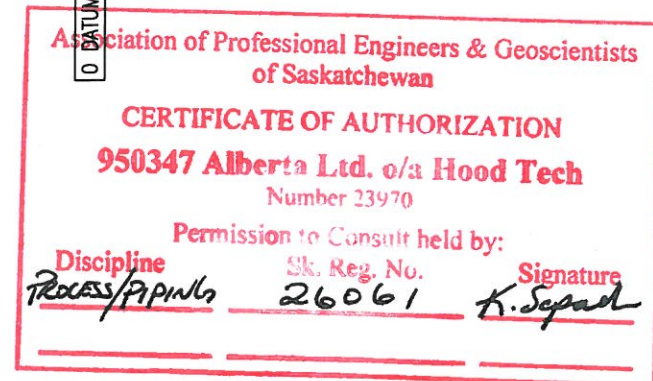


FUEL ENERGY SERVICES LTD. BAY 1, BURNT BLUFF STREET RED DEER, ALBERTA CANADA T4P 0J6 PHONE (403) 346-4656 FAX (403) 343-3994		Fuel Energy Services DUAL CUMMINS 334KW GENSET GENERAL ARRANGEMENT	
PROJECT	REV	DWG	SHEET
FE12031	0	FE12031-GA	1/4

THIS DRAWING IS THE PROPERTY OF FUEL ENERGY SERVICES LTD. AND IS NOT TO BE USED FOR ANY PURPOSE OTHER THAN FOR WHICH IT IS INTENDED.



PLAN VIEW
SCALE: 1:30



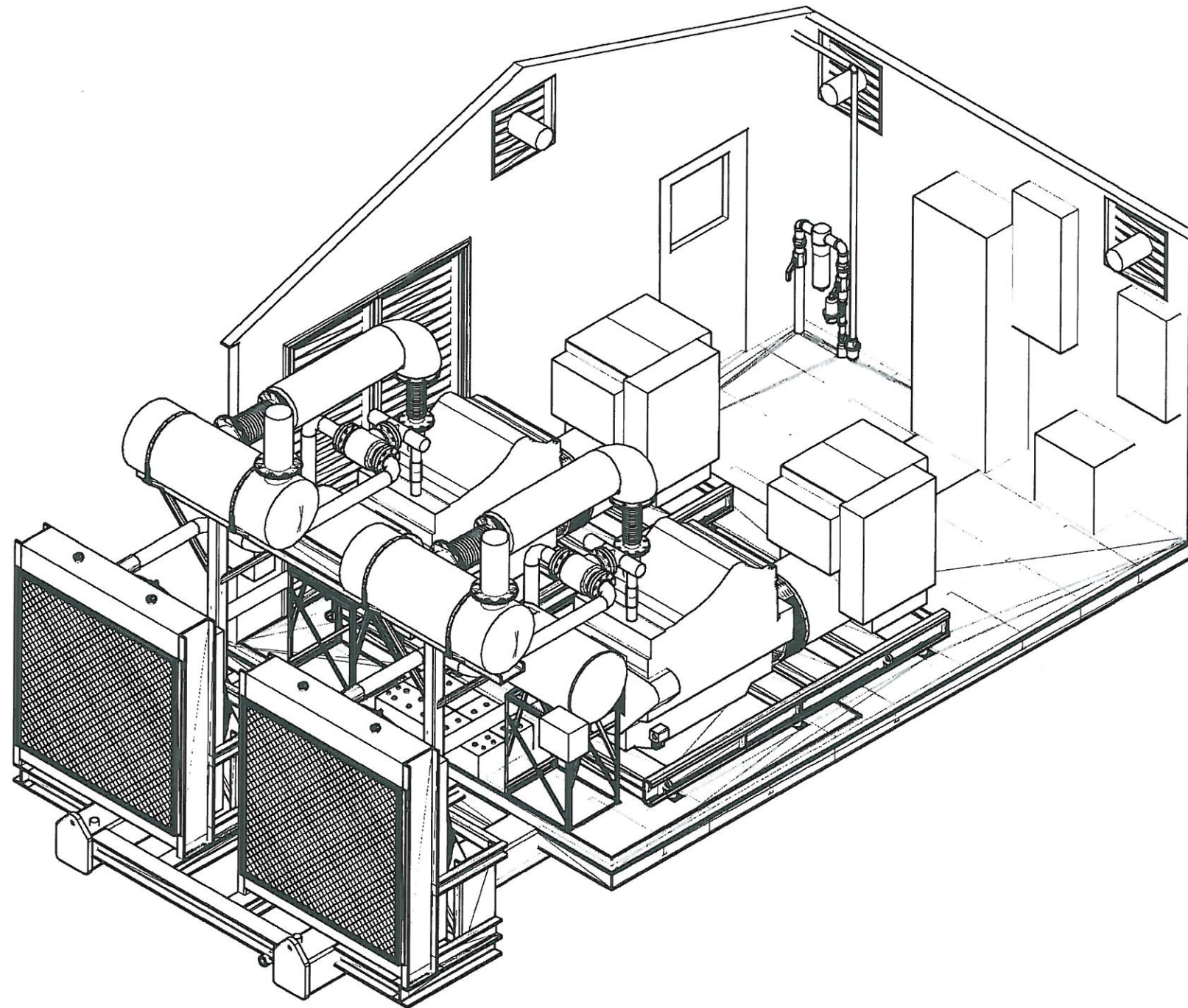
REFERENCE DRAWINGS			REVISIONS					STAMP
DESCRIPTION	DRAWING	REV	REV	DESCRIPTION	DATE	DWN BY	CHK BY	APR BY
SKID	FE12031-SKID	0	0	ISSUED FOR CONSTRUCTION	15.04.12	DMH	JW	JC
CUMMINS GENSET	0500-3801	B						
MUFFLER STAND	FE12031-MUFF	0						
PROCESS & INSTRUMENT DIAGRAM	FE12031-PID	0						

FUEL ENERGY SERVICES LTD.
 BAY 1, BURNT BLUFF STREET
 RED DEER, ALBERTA
 CANADA
 T4P 0J6
 PHONE (403) 346-4656
 FAX (403) 343-3994

Fuel Energy Services
 DUAL CUMMINS 334KW GENSET
 GENERAL ARRANGEMENT

PROJECT: FE12031
 REV: 0
 DWG: FE12031-GA
 SHEET: 2/4

THIS DRAWING IS THE PROPERTY OF FUEL ENERGY SERVICES LTD. AND IS NOT TO BE USED FOR ANY PURPOSE OTHER THAN FOR WHICH IT IS INTENDED.



Association of Professional Engineers & Geoscientists
of Saskatchewan

CERTIFICATE OF AUTHORIZATION
950347 Alberta Ltd. o/a Hood Tech
Number 23970

Permission to Consult held by:

Discipline: Process/Piping Sk. Reg. No. 26061 Signature: K. Sapach

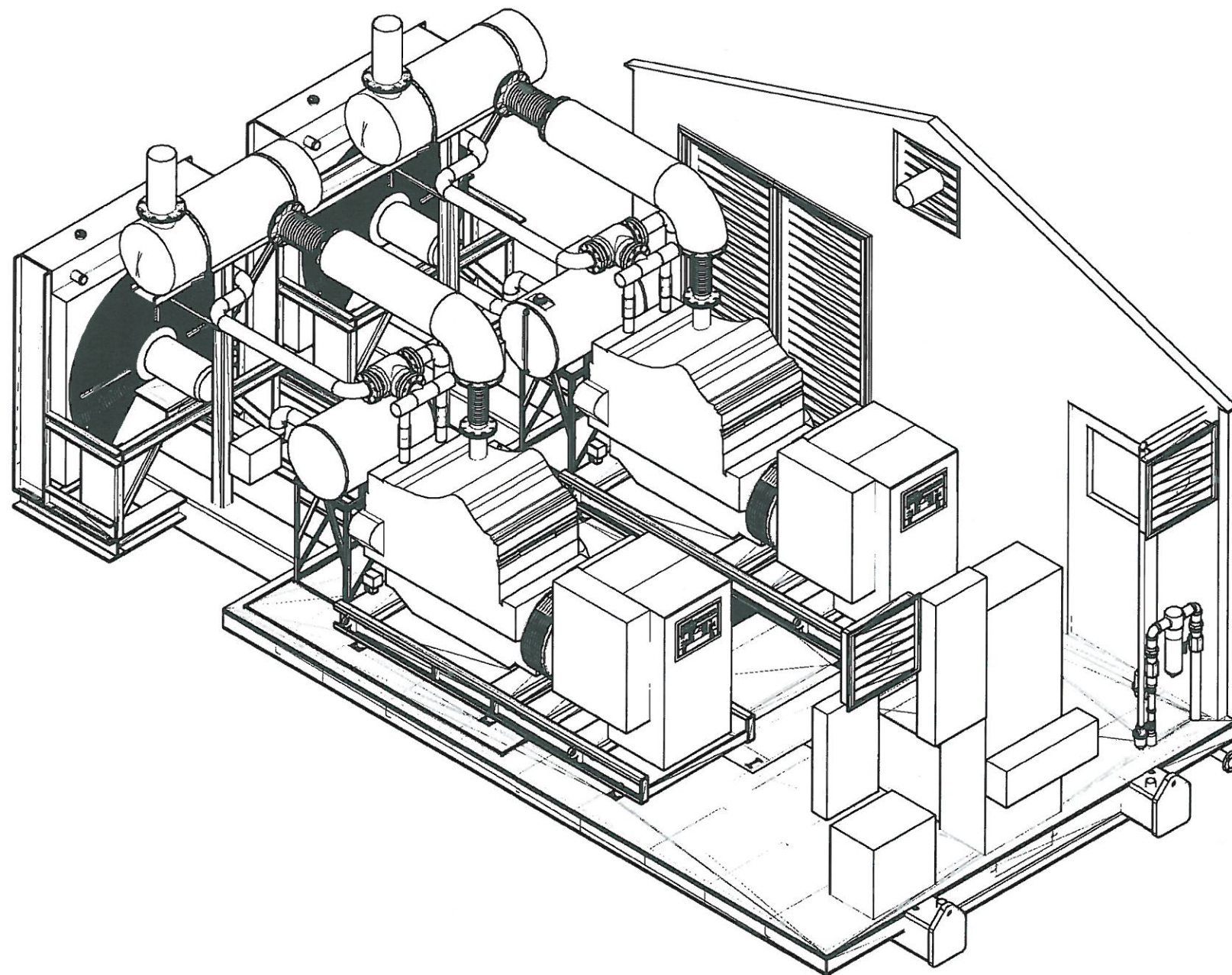
REFERENCE DRAWINGS			REVISIONS					STAMP
DESCRIPTION	DRAWING	REV	REV	DESCRIPTION	DATE	DWN BY	CHK BY	APR BY
SKID	FE12031-SKID	0	0	ISSUED FOR CONSTRUCTION	15.04.12	DMH	JW	JC
CUMMINS GENSET	0500-3801	B						
MUFFLER STAND	FE12031-MUFF	0						
PROCESS & INSTRUMENT DIAGRAM	FE12031-PID	0						

FUEL ENERGY SERVICES LTD.
BAY 1, BURNT BLUFF STREET
RED DEER, ALBERTA
CANADA
T4P 0J6
PHONE (403) 346-4656
FAX (403) 343-3994

Fuel Energy Services
DUAL CUMMINS 334KW GENSET
GENERAL ARRANGEMENT

PROJECT: **FE12031** REV: **0** DWG: **FE12031-GA** SHEET: **3/4**

THIS DRAWING IS THE PROPERTY OF FUEL ENERGY SERVICES LTD. AND IS NOT TO BE USED FOR ANY PURPOSE OTHER THAN FOR WHICH IT IS INTENDED.



Association of Professional Engineers & Geoscientists
of Saskatchewan

CERTIFICATE OF AUTHORIZATION
950347 Alberta Ltd. o/a Hood Tech
Number 23970

Permission to Consult held by:

Discipline: Process/Piping Sk. Reg. No.: 26061 Signature: K. Sapach

REFERENCE DRAWINGS			REVISIONS					STAMP
DESCRIPTION	DRAWING	REV	REV	DESCRIPTION	DATE	DWN BY	CHK BY	APR BY
SKID	FE12031-SKID	0	0	ISSUED FOR CONSTRUCTION	15.04.12	DMH	JW	JC
CUMMINS GENSET	0500-3801	B						
MUFFLER STAND	FE12031-MUFF	0						
PROCESS & INSTRUMENT DIAGRAM	FE12031-PID	0						

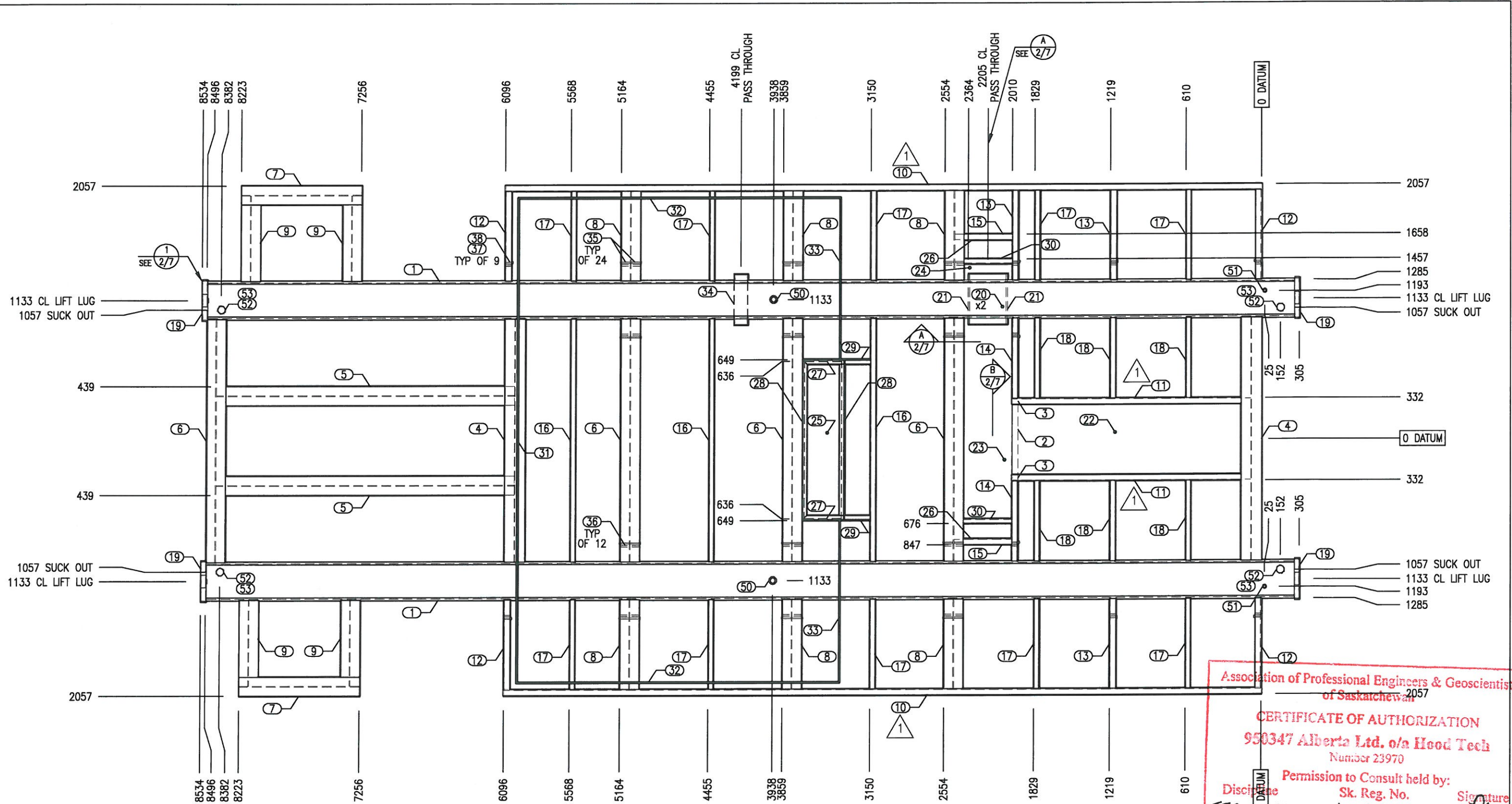
FUEL ENERGY SERVICES LTD.

BAY 1, BURNT BLUFF STREET
RED DEER, ALBERTA
CANADA
T4P 0J6
PHONE (403) 346-4656
FAX (403) 343-3994

Fuel Energy Services
DUAL CUMMINS 334KW GENSET
GENERAL ARRANGEMENT

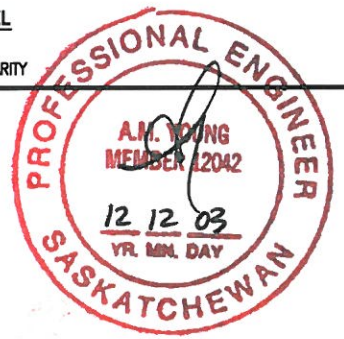
PROJECT: **FE12031** REV: **0** DWG: **FE12031-GA** SHEET: **4/4**

THIS DRAWING IS THE PROPERTY OF FUEL ENERGY SERVICES LTD. AND IS NOT TO BE USED FOR ANY PURPOSE OTHER THAN FOR WHICH IT IS INTENDED.



PLAN VIEW AT TOP OF STEEL
SCALE: 1:30
CHECKER PLATE REMOVED FOR CLARITY

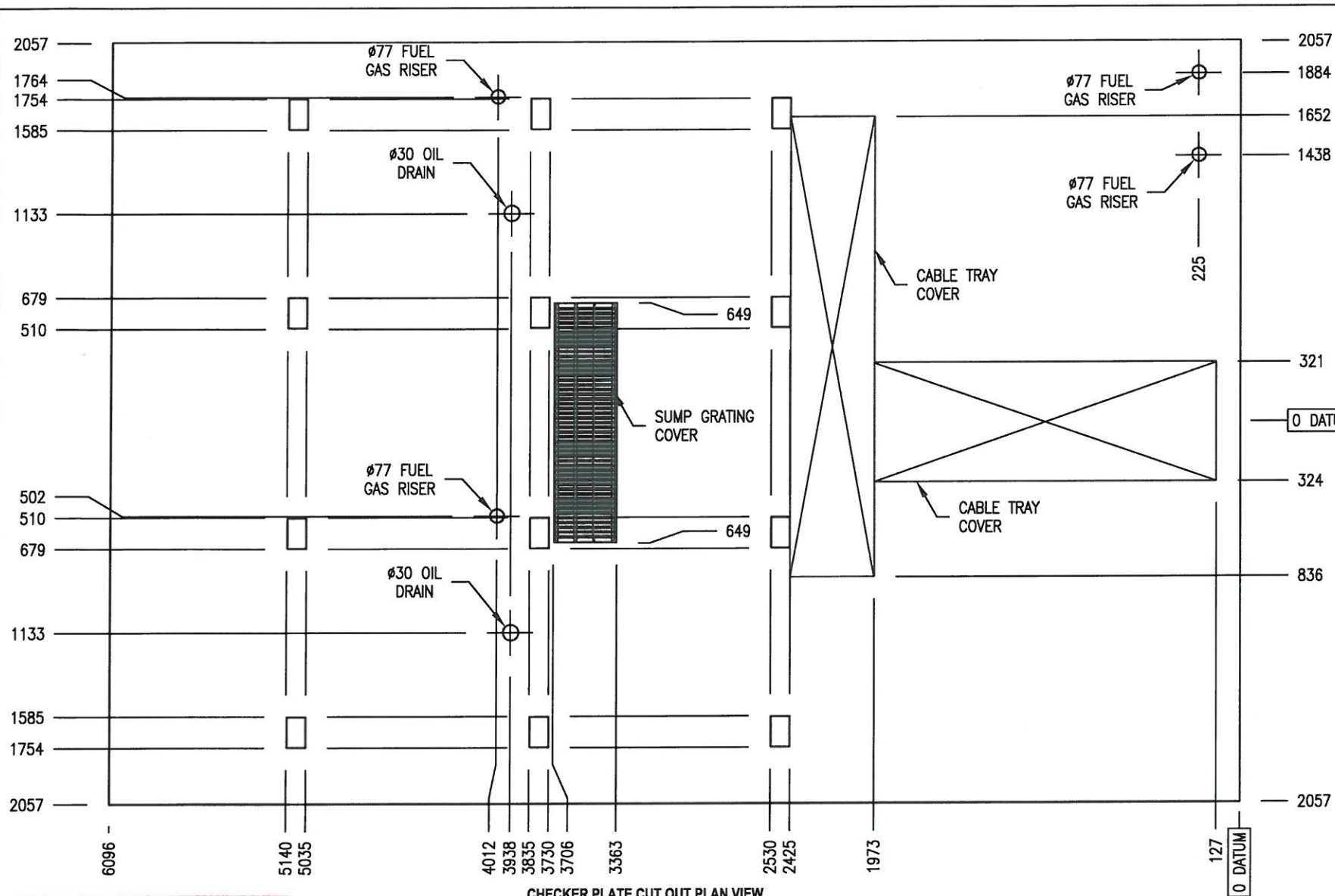
Association of Professional Engineers & Geoscientists
of Saskatchewan
2057
CERTIFICATE OF AUTHORIZATION
950347 Alberta Ltd. o/a Hood Tech
Number 23970
Permission to Consult held by:
Discipline: MECHANICAL Sk. Reg. No. 12042 Signature: [Signature]



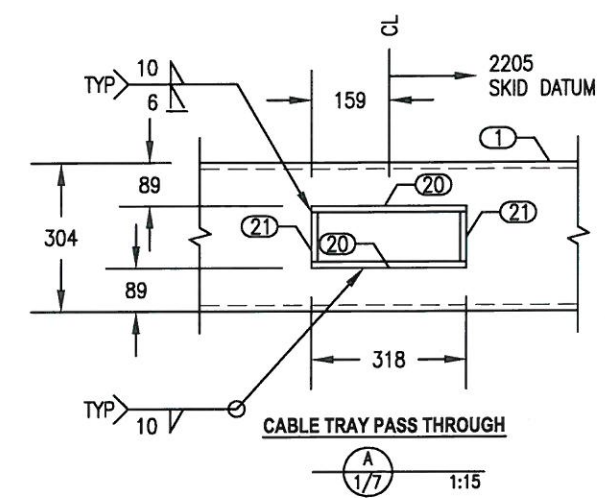
REFERENCE DRAWINGS				REVISIONS					STAMP
DESCRIPTION	DRAWING	REV	REV	DESCRIPTION	DATE	DWN BY	CHK BY	APR BY	
GENERAL ARRANGMENT	FE12031-GA	0	A	ISSUED FOR PRELIMINARY APPROVAL	02.04.12	DMH	JW	JC	
CUMMINS GENSET	0500-3801	B	0	ISSUED FOR CONSTRUCTION	18.04.12	DMH	JW	PL	
MUFFLER STAND	FE12031-MUFFSTD	0	1	IFC REVISED BOM, CHANNEL ORIENTATION	19.04.12	DMH	JW	PL	
PROCESS & INSTRUMENT DIAGRAM	FE12031-PID	0							

 BAY 1, BURNT BLUFF STREET RED DEER, ALBERTA CANADA T4P 0J6 PHONE (403) 346-4656 FAX (403) 343-3994				Fuel Energy Services DUAL CUMMINS 334KW GENSET SKID	
PROJECT	FE12031	REV	1	DWG	FE12031-SKID
				SHEET	1/7

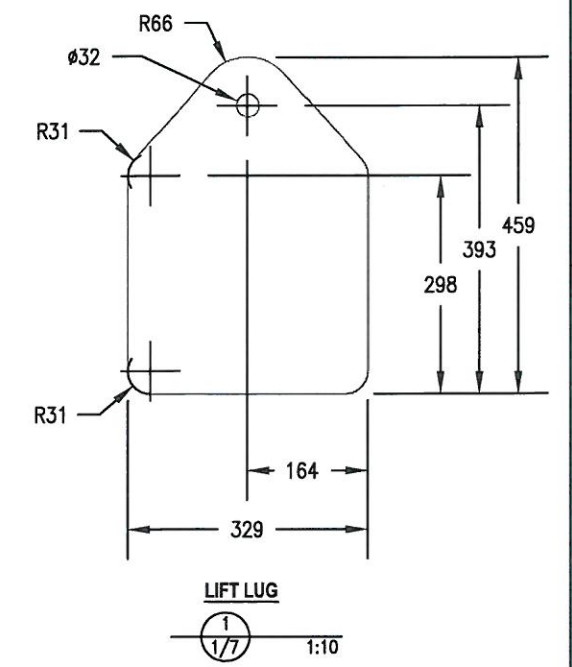
THIS DRAWING IS THE PROPERTY OF FUEL ENERGY SERVICES LTD. AND IS NOT TO BE USED FOR ANY PURPOSE OTHER THAN FOR WHICH IT IS INTENDED.



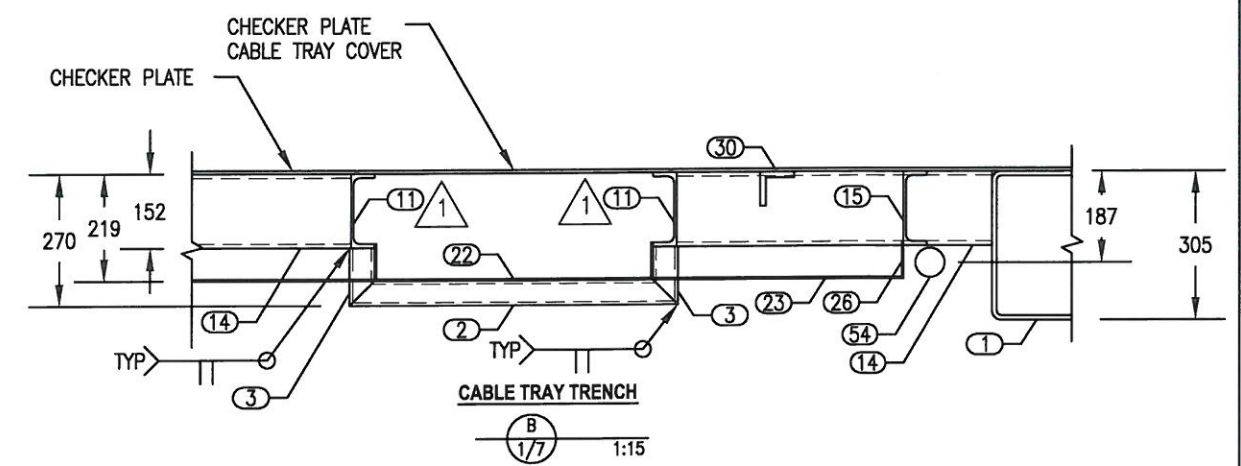
CHECKER PLATE CUT OUT PLAN VIEW
SCALE: 1:30



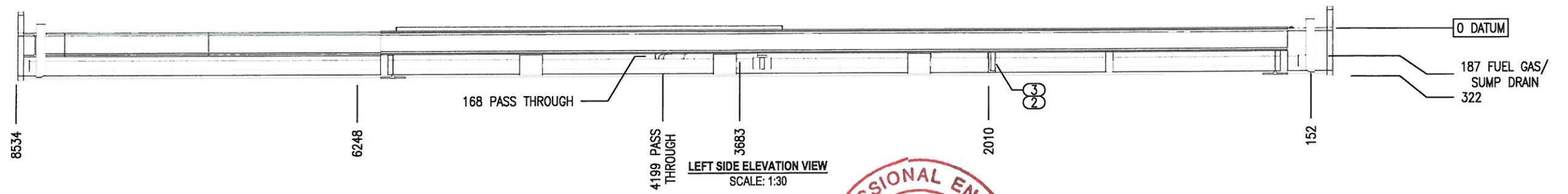
CABLE TRAY PASS THROUGH
A 1/7 1:15



LIFT LUG
1 1/7 1:10



CABLE TRAY TRENCH
B 1/7 1:15



LEFT SIDE ELEVATION VIEW
SCALE: 1:30

Association of Professional Engineers & Geoscientists of Saskatchewan
CERTIFICATE OF AUTHORIZATION
 950347 Alberta Ltd. o/a Hood
 Number 23970
 Discipline: **Structural**
 Permission to Consult held by:
 Sk. Reg. No. **12042**

REFERENCE DRAWINGS		REVISIONS						
DESCRIPTION	DRAWING	REV	REV	DESCRIPTION	DATE	DWN BY	CHK BY	APR BY
GENERAL ARRANGMENT	FE12031-GA	0	A	ISSUED FOR PRELIMINARY APPROVAL	02.04.12	DMH	JW	JC
CUMMINS GENSET	0500-3801	B	0	ISSUED FOR CONSTRUCTION	18.04.12	DMH	JW	PL
MUFFLER STAND	FE12031-MUFFSTD	0	1	IFC REVISED BOM, CHANNEL ORIENTATION	19.04.12	DMH	JW	PL
PROCESS & INSTRUMENT DIAGRAM	FE12031-PID	0						

STAMP
PROFESSIONAL ENGINEER
 A.M. YOUNG
 MEMBER 12042
 12 12 03
 YR. MN. DAY
SASKATCHEWAN

FUEL ENERGY SERVICES LTD.
 BAY 1, BURNT BLUFF STREET
 RED DEER, ALBERTA
 CANADA
 T4P 0J6
 PHONE (403) 348-4656
 FAX (403) 343-3994

Fuel Energy Services
 DUAL CUMMINS 334KW GENSET
 SKID

PROJECT: FE12031
 REV: 1
 DWG: FE12031-SKID
 SHEET: 2/7

THIS DRAWING IS THE PROPERTY OF FUEL ENERGY SERVICES LTD. AND IS NOT TO BE USED FOR ANY PURPOSE OTHER THAN FOR WHICH IT IS INTENDED.

BILL OF MATERIALS

ITEM	Qty.	NAME	LENGTH	WEIGHT	COMMENTS
1	2	HSS 12x12x3/8	8763	758.0	MAIN RUNNERS
2	1	HSS 2x2x1/4	670	5.9	CABLE TRAY SUPPORT
3	2	HSS 2x2x1/4	118	0.9	CABLE TRAY SUPPORT
4	2	W 12x26	1961	76.5	BUILDING END BEAM
5	2	W 6x20	2400	72.0	COOLER SUPPORT
6	3	W 6x20	1961	58.8	GENERATOR SUPPORT
7	2	W 6x20	967	29.0	COOLER SUPPORT
8	6	W 6x20	724	21.8	GENERATOR SUPPORT
9	4	W 6x20	692	20.8	COOLER SUPPORT
10	2	C 6X8.2	6096	73.2	BUILDING SUPPORT
11	2	C 6X8.2	1926	23.2	CABLE TRAY SUPPORT
12	4	C 6X8.2	724	8.7	BUILDING SUPPORT
13	3	C 6X8.2	724	8.7	PIPE SUPPORT
14	2	C 6X8.2	648	7.8	CABLE TRAY SUPPORT
15	2	C 6X8.2	463	5.6	CABLE TRAY SUPPORT
16	3	C 4X5.4	1961	15.7	CHECKER PLATE SUPPORT
17	10	C 4X5.4	724	5.8	CHECKER PLATE SUPPORT
18	6	C 4X5.4	648	5.2	CHECKER PLATE SUPPORT
19	4	PLATE 447x305x38.1	447	40.6	LIFT LUG
20	2	PLATE 318x406x12.7	318	12.8	CABLE TRAY PASS THROUGH
21	2	PLATE 102x406x12.7	102	4.1	CABLE TRAY PASS THROUGH
22	1	PLATE 720x1926x10ga	1924	37.1	76x568x76 CABLE TRAY
23	1	PLATE 543x1780x10ga	1780	25.9	76x391x76 CABLE TRAY
24	1	PLATE 543x325x10ga	325	4.8	76x391x76 CABLE TRAY
25	1	PLATE 432x1264x10ga	1264	14.6	63x305x63 SUMP TRAY
26	2	PLATE 391x72x10ga	384	0.8	CABLE TRAY CAP
27	2	PLATE 297x63x10ga	297	0.5	SUMP TRAY CAP
28	2	L 32x32x6	1285	3.6	GRATING SUPPORT
29	2	L 32x32x6	556	1.6	GRATING SUPPORT
30	2	L 32x32x6	391	1.1	CHECKER PLATE SUPPORT
31	1	FB 25x3	3912	2.5	DRIP LIP
32	2	FB 25x3	2592	1.6	DRIP LIP
33	2	FB 25x3	1313	0.8	DRIP LIP
34	1	PIPE 4 STD	406	5.5	PIPE PASS THRU
35	24	FB 76x10	138	0.8	BEAM STIFFENER
36	12	W 6x20	190	2.9	BEAM STIFFENER
37	9	C 6x8.2	190	2.3	CHANNEL STIFFENER
38	9	FB 51x10	134	0.5	CHANNEL GUSSET

UTILITY PIPING BILL OF MATERIALS

ITEM	Qty.	NAME	LENGTH	WEIGHT.	COMMENTS
50	2	1" TANK FLANGE	---	0.5	OIL DRAIN
51	2	1/2" TANK FLANGE	---	0.25	WASTE OIL VENT
52	4	2" FEMALE THREADED CAMLOCK FITTING c/w PLUG	---	0.75	WASTE OIL SUCK OUT
53	4	2" SCH 80 PIPE THRD ONE END	356	4.00	CUT 45° ON BOTTOM
54	1	2" SCH 80 PIPE	21644	162.00	FUEL GAS AND SUMP DRAIN
55	3	2" SW TEE	---	1.00	FUEL GAS AND SUMP DRAIN
56	4	2" SW x THRD CPLG	---	0.75	FUEL GAS
57	5	2" SW 90° ELBOW	---	0.75	FUEL GAS AND SUMP DRAIN
58	1	2" SW 45° ELBOW	---	0.60	FUEL GAS
59	2	2" SW 150# RF FLANGE	---	1.00	FUEL GAS

MISC. MATERIALS

ITEM	Qty.	NAME	LENGTH	WEIGHT.	COMMENTS
---	0.5m ²	1" x 3/16" 19-4 GRATING	---	36.2	
---	25m ²	1/4" CHECKERPLATE	---	1246.9	

SKID PAN	
10 GA PLATE REQUIRED	<input type="radio"/> YES <input checked="" type="radio"/> NO
GRATING	
1" x 3/8" 19-4 GRATING	<input checked="" type="radio"/> YES <input type="radio"/> NO
1 1/2" x 3/8" 19-4 GRATING	<input type="radio"/> YES <input type="radio"/> NO

ESTIMATED SKID WEIGHT	
STEEL MEMBERS	3015.8 kg
CHECKER PLATE	1246.9 kg
GRATING	36.2 kg
UTILITY PIPE	194.9 kg
TOTAL WEIGHT	4493.8 kg
	9907.1 lbs

SUPPORTED EQUIPMENT	
SUPPORTED EQUIPMENT	
WET WEIGHT	17163.1 kg
SUPPORTED STRUCTURALS	500.0 kg
TOTAL WEIGHT	17663.1 kg
	38940.4 lbs

FABRICATION NOTES:

- UNLESS OTHERWISE SPECIFIED:
 - ALL DIMENSIONS ARE IN mm
 - ALL WEIGHTS ARE IN kg
 - MEMBER DESIGNATIONS ARE IN IMPERIAL
- ALL STEEL SHALL CONFORM TO CSA G40.21M WITH THE FOLLOWING GRADE:
 - W & S SHAPES 350W
 - HSS 350W CLASS C
 - CHANNELS, ANGLES & PLATES 300W
 - FLOOR PLATE 300W
 - LIFTING LUG STEEL 350WT CATEGORY 4
- WELDING SHALL CONFORM TO CSA W59 AND SHALL BE PERFORMED BY CERTIFIED COMPANIES AND WELDERS IN ACCORDANCE WITH CSA W47.1 DIV.1 OR 2.1.
- ALL WELD SURFACES SHALL BE FREE OF RUST, SCALE AND OTHER CONTAMINANTS, WELDS SHALL BE INSPECTED IN ACCORDANCE WITH APPLICABLE WELD PROCEDURES.
- UNLESS OTHERWISE SPECIFIED CLEAN AND PAINT ALL STRUCTURAL STEEL PER THE FOLLOWING:
 - SURFACE PREP SSPC-SP6 COMMERCIAL BLAST
 - PRIME ONE COAT SHOP PRIMER
 - PAINT TWO COATS RUSTOLEUM 906 SILVER GREY
- SKID FABRICATED WITH STRUCTURAL MEMBERS FLUSH ON TOP.

SKID DESIGN NOTES:

- SEE BUILDING DRAWING FOR BUILDING DESIGN LOADS.
- USER SHALL ENSURE THAT DESIGN LOADS FOR BUILDING AND SKID ARE COMPLIANT WITH THE ALBERTA BUILDING CODE FOR THE INTENDED INSTALLATION LOCATION.
- BASE SKID DESIGN LOADS:
 - WIND LOAD: $q_{s0} = 1.0kPa$, $I_w = 1.0$, $C_e = 0.9$
 - SNOW LOAD: $S_g = 4.0kPa$, $S_r = 0.1kPa$, $I_w = 1.0$
 - FLOOR LIVE LOAD: $4.8kPa$
- EQUIPMENT STATIC LOADS AS SPECIFIED IN THIS DRAWING.
- BASE SKID ANALYZED FOR STATIC LOADS ONLY.
- AS A MINIMUM SKID SHALL BE SUPPORTED AT MID AND EACH END DURING OPERATION ON A FOUNDATION WITH ADEQUATE CAPACITY TO SUPPORT DESIGN LOADS. FOUNDATION BY OTHERS.

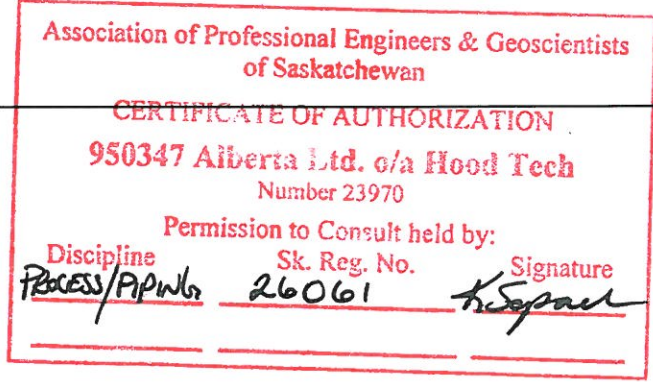
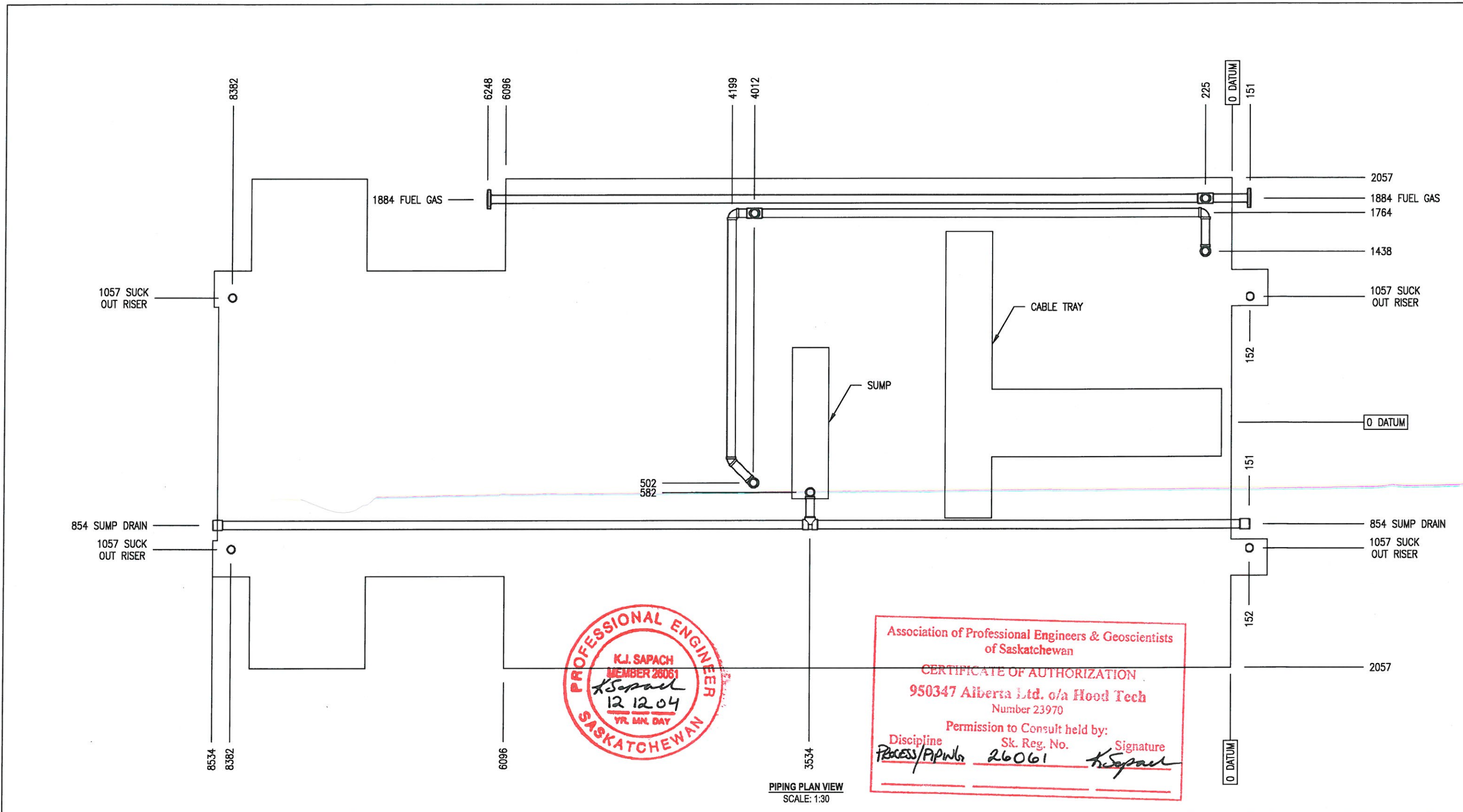
Association of Professional Engineers & Geoscientists of Saskatchewan
CERTIFICATE OF AUTHORIZATION
950347 Alberta Ltd. o/a Hood Tech
 Number 23970
 Permission to Consult held by:
 Discipline Structural Sk. Reg. No. 12042 Signature [Signature]



REFERENCE DRAWINGS			REVISIONS					
DESCRIPTION	DRAWING	REV	REV	DESCRIPTION	DATE	DWN BY	CHK BY	APR BY
GENERAL ARRANGMENT	FE12031-GA	0	A	ISSUED FOR PRELIMINARY APPROVAL	02.04.12	DMH	JW	JC
CUMMINS GENSET	0500-3801	B	0	ISSUED FOR CONSTRUCTION	18.04.12	DMH	JW	PL
MUFFLER STAND	FE12031-MUFFSTD	0	1	IFC REVISED BOM, CHANNEL ORIENTATION	19.04.12	DMH	JW	PL
PROCESS & INSTRUMENT DIAGRAM	FE12031-PID	0						

FUEL ENERGY SERVICES LTD.			
BAY 1, BURNT BLUFF STREET RED DEER, ALBERTA CANADA T4P 0J6 PHONE (403) 346-4656 FAX (403) 343-3994		Fuel Energy Services DUAL CUMMINS 334KW GENSET SKID	
PROJECT	FE12031	REV	DWG
		1	FE12031-SKID
			SHEET 3/7

THIS DRAWING IS THE PROPERTY OF FUEL ENERGY SERVICES LTD. AND IS NOT TO BE USED FOR ANY PURPOSE OTHER THAN FOR WHICH IT IS INTENDED.



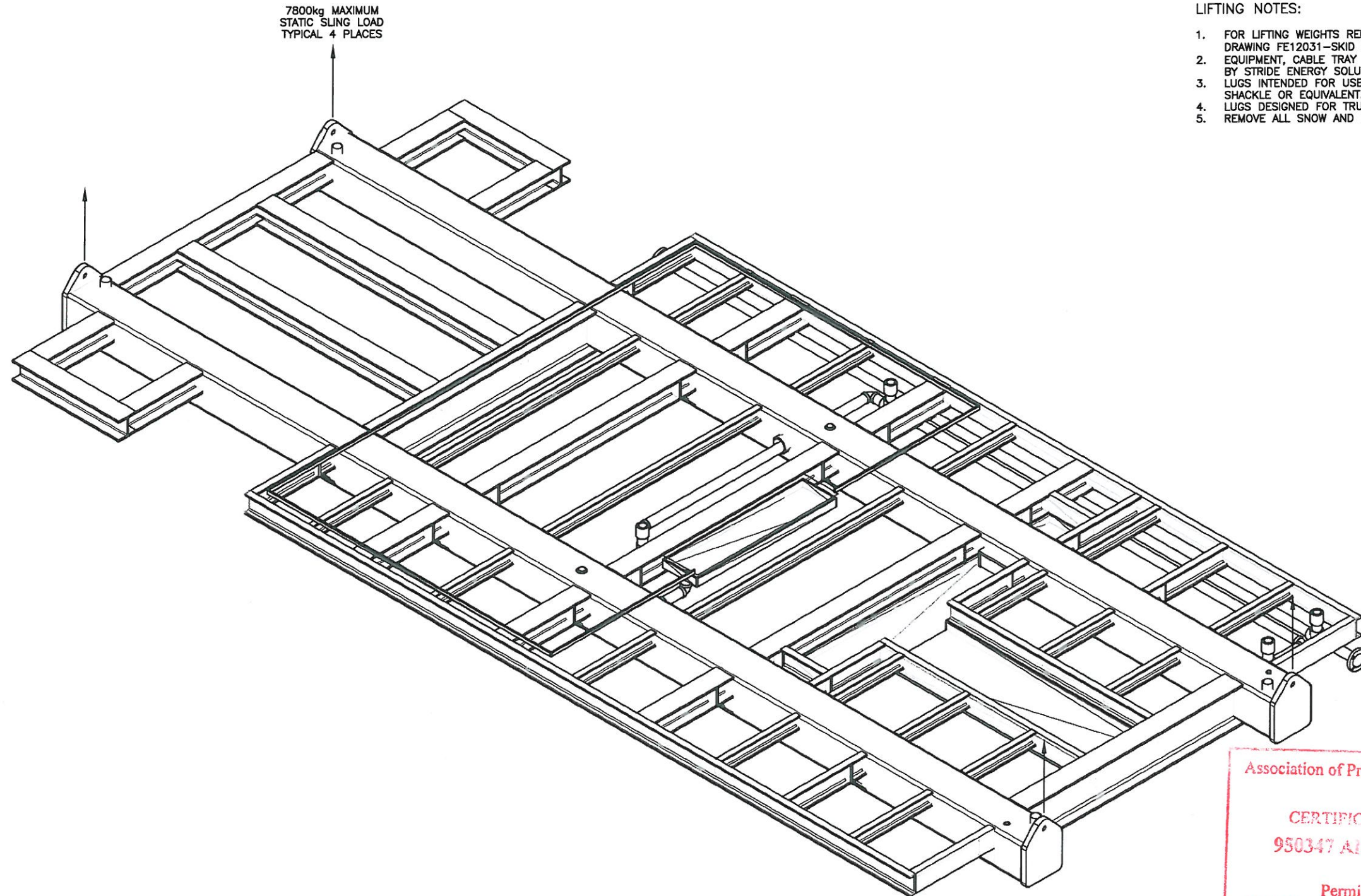
REFERENCE DRAWINGS			REVISIONS						STAMP
DESCRIPTION	DRAWING	REV	REV	DESCRIPTION	DATE	DWN BY	CHK BY	APR BY	
GENERAL ARRANGMENT	FE12031-GA	0	A	ISSUED FOR PRELIMINARY APPROVAL	02.04.12	DMH	JW	JC	
CUMMINS GENSET	0500-3801	B	0	ISSUED FOR CONSTRUCTION	18.04.12	DMH	JW	JW	
MUFFLER STAND	FE12031-MUFFSTD	0	1	IFC REVISED BOM, CHANNEL ORIENTATION	19.04.12	DMH	JW	PL	
PROCESS & INSTRUMENT DIAGRAM	FE12031-PID	0							

FUEL ENERGY SERVICES LTD.
BAY 1, BURNT BLUFF STREET
RED DEER, ALBERTA
CANADA
T4P 0J6
PHONE (403) 346-4656
FAX (403) 343-3994

Fuel Energy Services
DUAL CUMMINS 334KW GENSET
SKID

PROJECT	REV	DWG	SHEET
FE12031	1	FE12031-SKID	4/7

THIS DRAWING IS THE PROPERTY OF FUEL ENERGY SERVICES LTD. AND IS NOT TO BE USED FOR ANY PURPOSE OTHER THAN FOR WHICH IT IS INTENDED.



LIFTING NOTES:

1. FOR LIFTING WEIGHTS REFER TO GENERAL NOTES ON DRAWING FE12031-SKID SHEET 3/7.
2. EQUIPMENT, CABLE TRAY AND BUILDING WEIGHT PROVIDED BY STRIDE ENERGY SOLUTIONS INC.
3. LUGS INTENDED FOR USE WITH CROSBY G-2130 8.5 TONNE SHACKLE OR EQUIVALENT.
4. LUGS DESIGNED FOR TRUE VERTICAL LIFT ONLY.
5. REMOVE ALL SNOW AND FLUIDS PRIOR TO LIFTING.

Association of Professional Engineers & Geoscientists
of Saskatchewan

CERTIFICATE OF AUTHORIZATION
950347 Alberta Ltd. o/a Hood Tech
Number 23970

Permission to Consult held by:

Discipline Structural Sk. Reg. No. 12042 Signature [Signature]



REFERENCE DRAWINGS			REVISIONS					
DESCRIPTION	DRAWING	REV	REV	DESCRIPTION	DATE	DWN BY	CHK BY	APR BY
GENERAL ARRANGMENT	FE12031-GA	0	A	ISSUED FOR PRELIMINARY APPROVAL	02.04.12	DMH	JW	JC
CUMMINS GENSET	0500-3801	B	0	ISSUED FOR CONSTRUCTION	18.04.12	DMH	JW	PL
MUFFLER STAND	FE12031-MUFFSTD	0	1	IFC REVISED BOM, CHANNEL ORIENTATION	19.04.12	DMH	JW	PL
PROCESS & INSTRUMENT DIAGRAM	FE12031-PID	0						

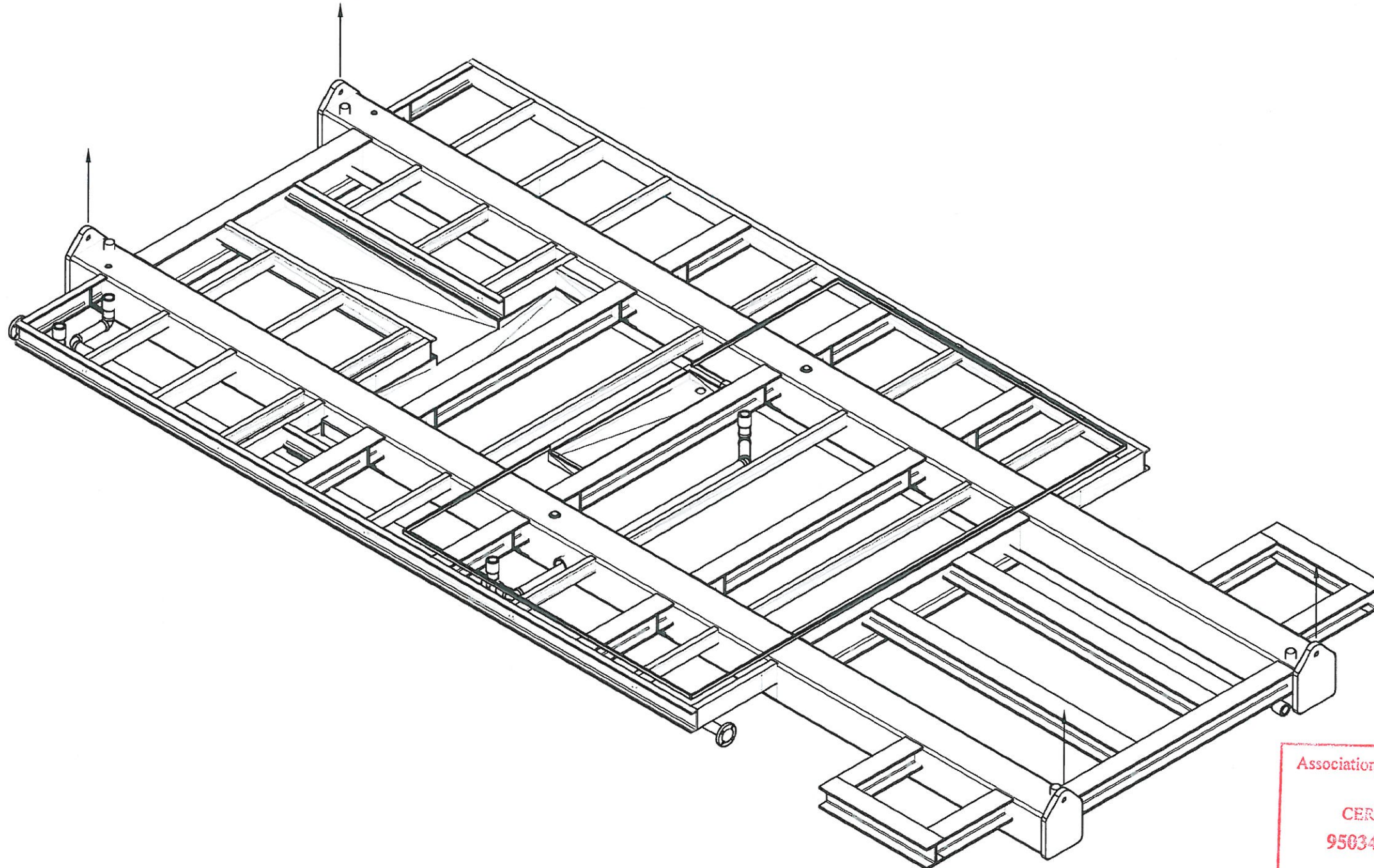
FUEL ENERGY SERVICES LTD.

BAY 1, BURNT BLUFF STREET
RED DEER, ALBERTA
CANADA
T4P 0J6
PHONE (403) 348-4656
FAX (403) 343-3994

Fuel Energy Services DUAL CUMMINS 334KW GENSET SKID	
PROJECT FE12031	REV 1
DWG FE12031-SKID	SHEET 5/7

THIS DRAWING IS THE PROPERTY OF FUEL ENERGY SERVICES LTD. AND IS NOT TO BE USED FOR ANY PURPOSE OTHER THAN FOR WHICH IT IS INTENDED.

LIFT POINT TYPICAL 4
PLACES SEE DRAWING
FE12031-SKID SHEET 5/7



Association of Professional Engineers & Geoscientists
of Saskatchewan
CERTIFICATE OF AUTHORIZATION
950347 Alberta Ltd. of Wood Tech
Number 20970
Permission to Consult held by:
Discipline Sk. Reg. No. Signature
STRUCTURAL 12042 [Signature]

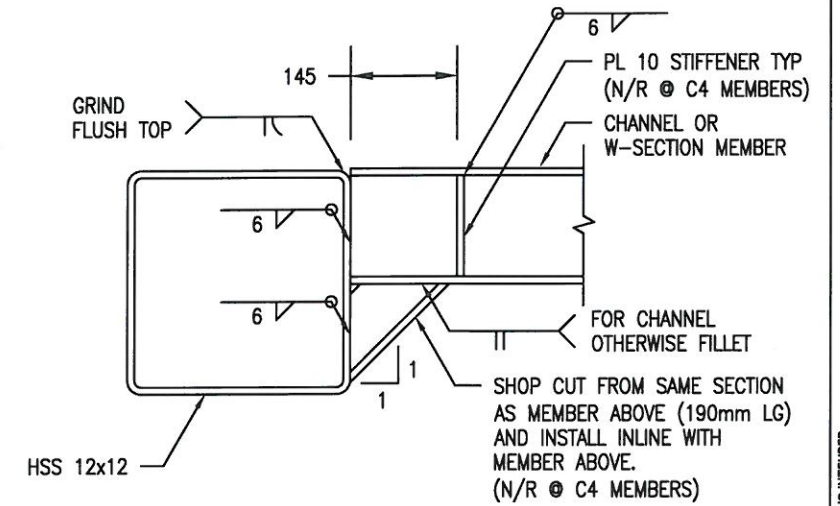
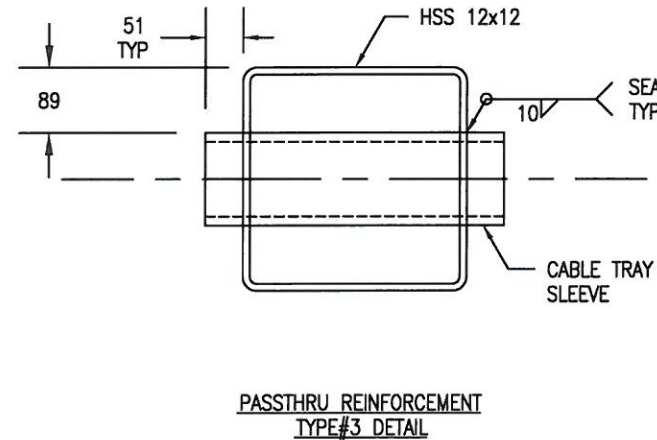
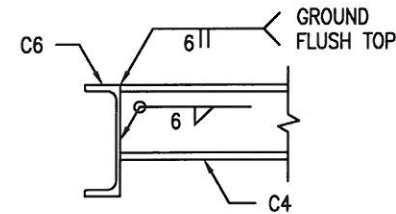
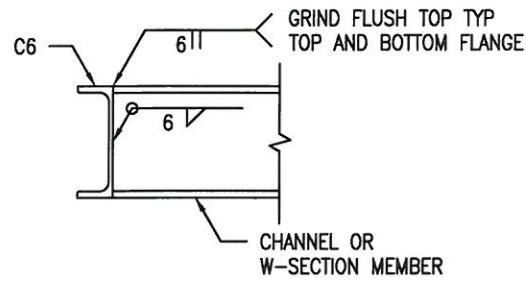
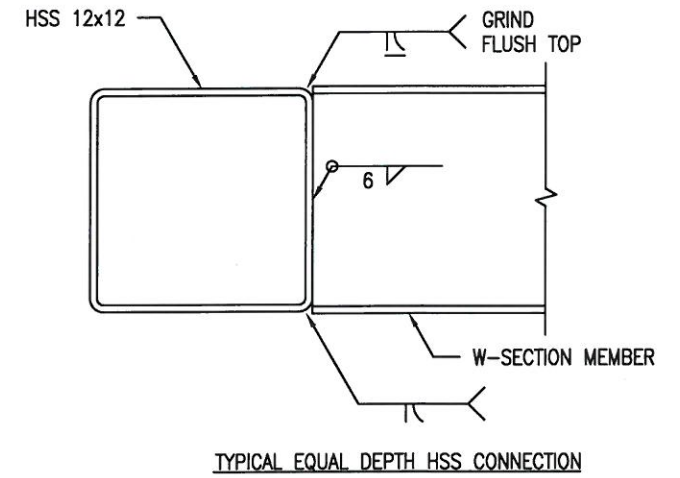
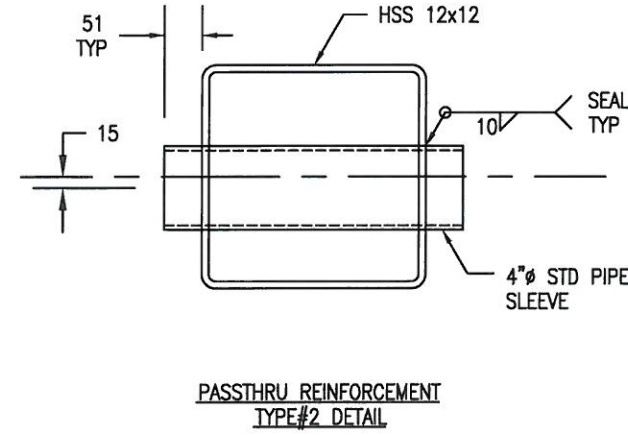
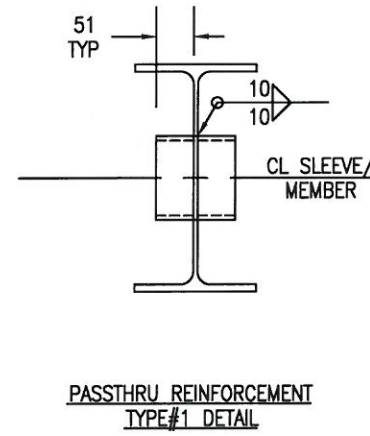
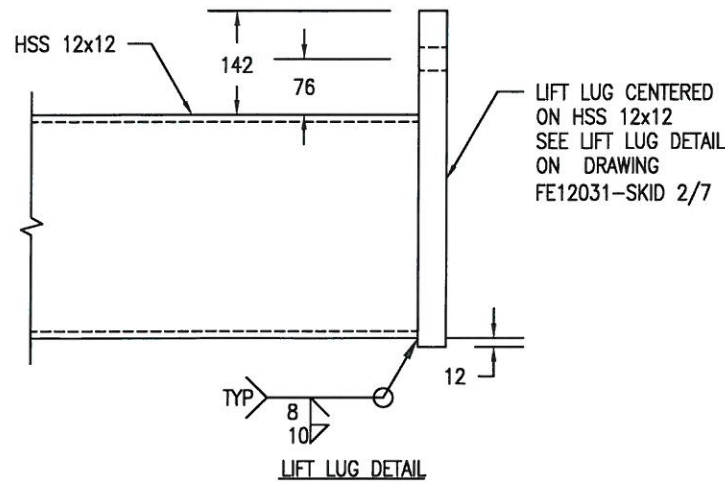
REFERENCE DRAWINGS			REVISIONS						STAMP
DESCRIPTION	DRAWING	REV	REV	DESCRIPTION	DATE	DWN BY	CHK BY	APR BY	
GENERAL ARRANGMENT	FE12031-GA	0	A	ISSUED FOR PRELIMINARY APPROVAL	02.04.12	DMH	JW	JC	
CUMMINS GENSET	0500-3801	B	0	ISSUED FOR CONSTRUCTION	18.04.12	DMH	JW	PL	
MUFFLER STAND	FE12031-MUFFSTD	0	1	IFC REVISED BOM, CHANNEL ORIENTATION	19.04.12	DMH	JW	PL	
PROCESS & INSTRUMENT DIAGRAM	FE12031-PID	0							



FUEL ENERGY SERVICES LTD.
BAY 1, BURNT BLUFF STREET
RED DEER, ALBERTA
CANADA
T4P 0J6
PHONE (403) 346-4656
FAX (403) 343-3994

Fuel Energy Services
DUAL CUMMINS 334KW GENSET
SKID
PROJECT FE12031 REV 1 DWG FE12031-SKID SHEET 6/7

THIS DRAWING IS THE PROPERTY OF FUEL ENERGY SERVICES LTD. AND IS NOT TO BE USED FOR ANY PURPOSE OTHER THAN FOR WHICH IT IS INTENDED.

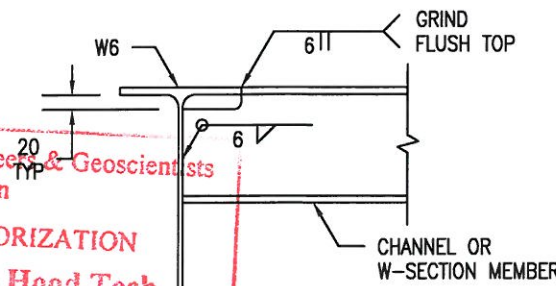
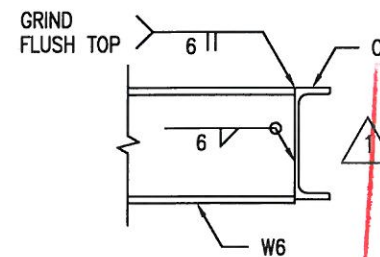
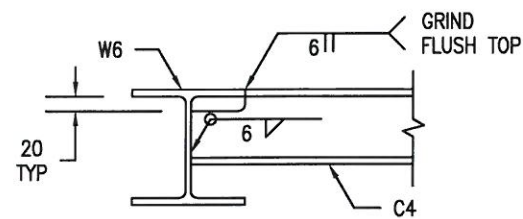
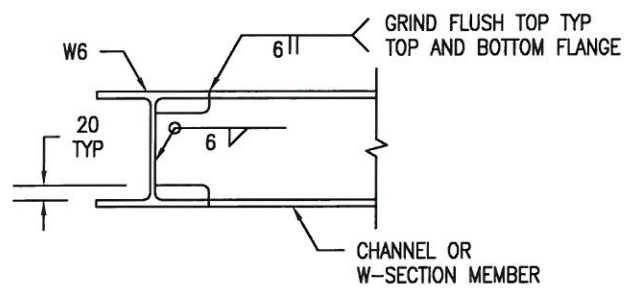


TYPICAL EQUAL DEPTH CHANNEL CONNECTION

TYPICAL REDUCED CHANNEL CONNECTION

PASSTHRU REINFORCEMENT TYPE#3 DETAIL

TYPICAL REDUCED HSS CONNECTION



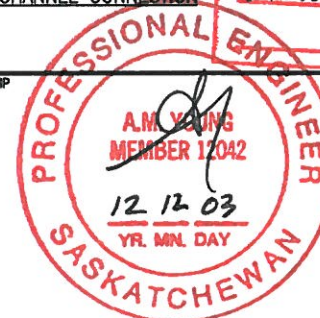
TYPICAL EQUAL DEPTH WIDE FLANGE CONNECTION

TYPICAL REDUCED WIDE FLANGE CONNECTION

TYPICAL WIDE FLANGE TO CHANNEL OUTSIDE CHANNEL CONNECTION

TYPICAL FULL DEPTH BEAM CONNECTION

Association of Professional Engineers & Geoscientists of Saskatchewan
CERTIFICATE OF AUTHORIZATION
 950347 Alberta Ltd. o/a Hood Tech
 Number 23970
 Permission to Consult held by:
 Discipline: Structural Sk. Reg. No. 12042
 Signature: *[Signature]*



REFERENCE DRAWINGS			REVISIONS					
DESCRIPTION	DRAWING	REV	REV	DESCRIPTION	DATE	DWN BY	CHK BY	APR BY
GENERAL ARRANGMENT	FE12031-GA	0	A	ISSUED FOR PRELIMINARY APPROVAL	02.04.12	DMH	JW	JC
CUMMINS GENSET	0500-3801	B	0	ISSUED FOR CONSTRUCTION	18.04.12	DMH	JW	PL
MUFFLER STAND	FE12031-MUFFSTD	0	1	IFC REVISED BOM, CHANNEL ORIENTATION	19.04.12	DMH	JW	PL
PROCESS & INSTRUMENT DIAGRAM	FE12031-PID	0						

FUEL ENERGY SERVICES LTD. BAY 1, BURNT BLUFF STREET RED DEER, ALBERTA CANADA T4P 0J6 PHONE (403) 346-4656 FAX (403) 343-3994		Fuel Energy Services DUAL CUMMINS 334KW GENSET SKID	
PROJECT	REV	DWG	SHEET
FE12031	1	FE12031-SKID	7/7

THIS DRAWING IS THE PROPERTY OF FUEL ENERGY SERVICES LTD. AND IS NOT TO BE USED FOR ANY PURPOSE OTHER THAN FOR WHICH IT IS INTENDED.