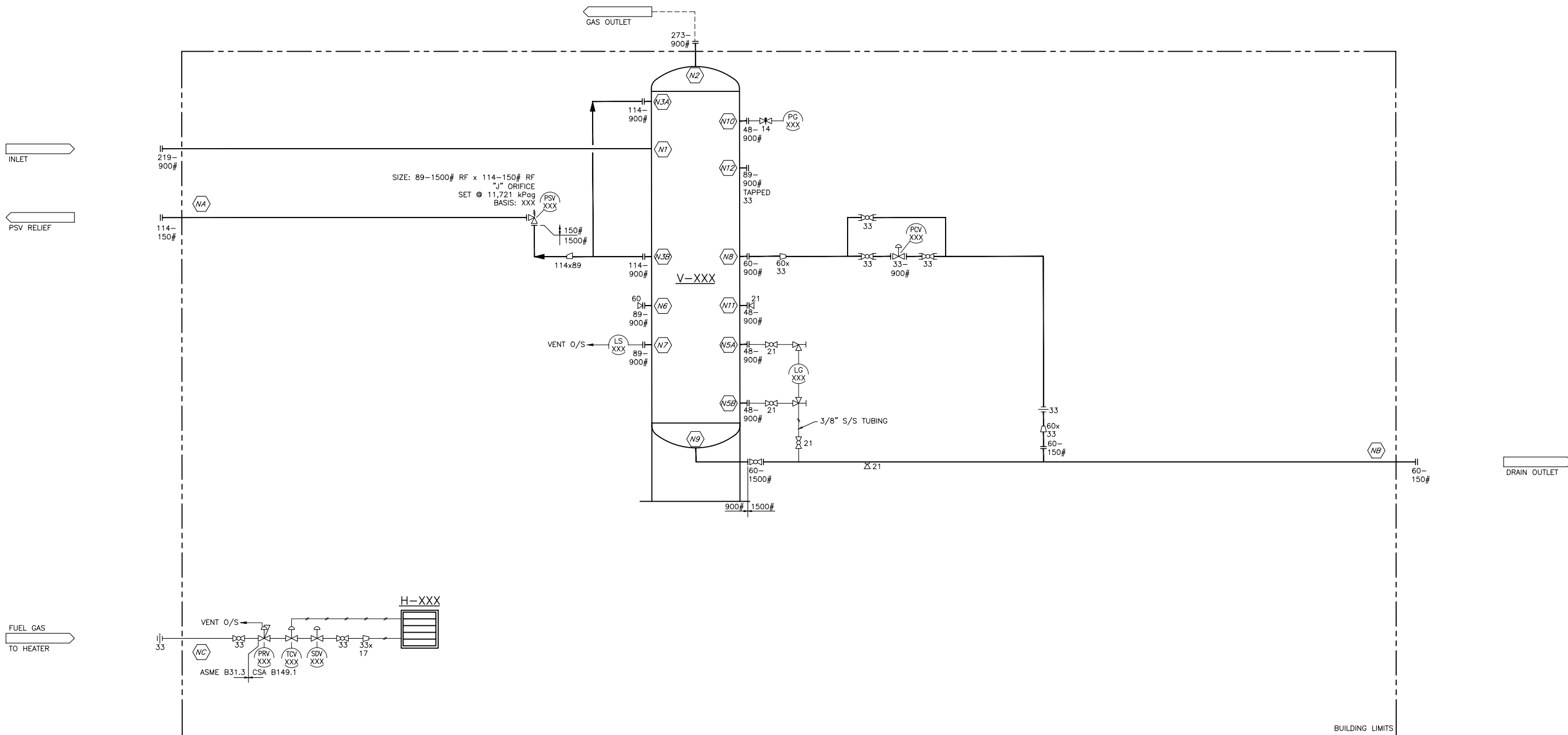


V-XXX  
 CYCLONE SEPARATOR  
 SIZE: 609.6 mm (24") OD x 2,667 mm (105") S/S  
 MAWP: 11,721 kPag (1,700 psig)  
 DESIGN TEMP: -29/121 °C (-20/250 °F)  
 CA: 3.2 mm (1/8")  
 S/N: C02-6625-1  
 CRN: P9206.21

H-XXX  
 BUILDING HEATER  
 MODEL: CATADYNE HEATER  
 SIZE: 610 mm (24") x 610 mm (24")  
 TYPE: NATURAL GAS, 120 V STARTER



NOTES:

REF.	REFERENCE DRAWING NUMBER	DWG TYPE	NO.	REVISIONS	BY	DATE	CKD	ENG	CLIENT APPR.
			0	ISSUED FOR AS-BUILT	DR	24.12.06	DI		

"THIS DRAWING IS PREPARED SOLELY FOR THE USE OF THE CONTRACTUAL CUSTOMER FOR RHEAUME ENGINEERING AND RHEAUME ENG. ASSUMES NO LIABILITY TO ANY OTHER PARTY FOR ANY REPRESENTATIONS CONTAINED IN THIS DRAWING."



DRAWN: D. ROCHE  
 PROJ. MNGR.: D. ISHAK  
 SCALE: NTS

PIPING AND INSTRUMENTATION DIAGRAM  
 24" O.D. SOUR CYCLONE SEPARATOR PACKAGE

CLIENT MNGR.:

PROJECT No.: 24R-05.181

RHEAUME DWG NO.: FLLD-NSKU-PID01-01

REV. 0

ENGINEER & PERMIT STAMP APPLIES ONLY TO REV. -