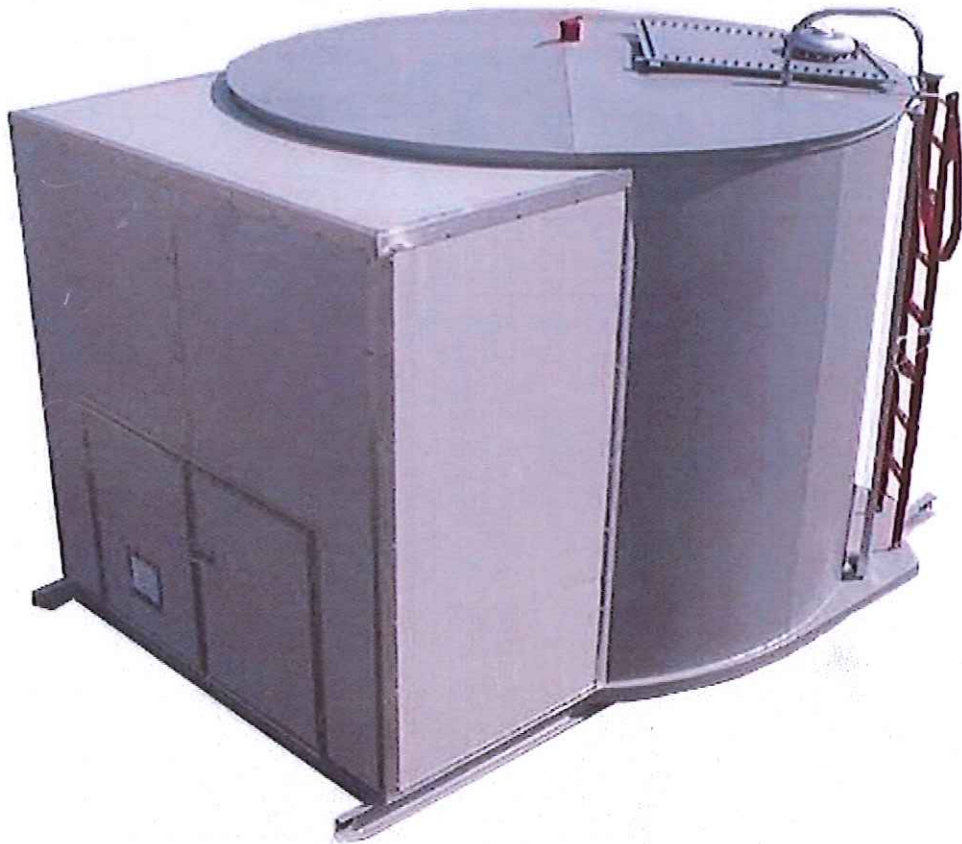


TANKSTORE_{LTD.}



INNOVATION AND

EXCELLENCE IN

MANUFACTURING

www.tankstoreltd.com

TANKSTORE_{LTD.}

TANKSTORE MISSION STATEMENT

TANKSTORE IS COMMITTED TO PROVIDING COST-EFFECTIVE TECHNOLOGICALLY SUPERIOR PRODUCTS FOR CUSTOMERS AT A PROFIT. THROUGH **ETHICAL, RESPONSIVE** AND **PROFITABLE** ACTIONS OUR COMPANY WILL PROVIDE A FULFILLING WORK ENVIRONMENT FOR OUR EMPLOYEES, EXCELLENT PRODUCTS AND SERVICES FOR OUR CUSTOMERS AND STRENGTH AND SUPPORT IN THE COMMUNITY.

TANKSTORE OPERATING VALUES

ETHICAL

- CONDUCT OUR BUSINESS FAIRLY AND WITH INTEGRITY WITH CUSTOMERS AND IN THE MARKETPLACE
- ENSURE FAIR AND EQUITABLE TREATMENT OF EMPLOYEES
- CREATE WIN-WIN SITUATIONS AND RELATIONSHIPS

RESPONSIVE

- IDENTIFY CUSTOMER EXPECTATIONS AND DELIVER ON COMMITMENTS IN A TIMELY MANNER.
- DEMONSTRATE RESPECT FOR ALL EMPLOYEES AND THEIR IDEAS.
- IDENTIFY OPPORTUNITIES FOR GIVING THE CUSTOMER VALUE ADDED BEYOND QUOTED MINIMUMS

PROFITABLE

- PROVIDE COST-EFFECTIVE, TECHNOLOGICALLY SUPERIOR PRODUCTS FOR OUR CUSTOMERS.
- ENCOURAGE PERSONAL INITIATIVE AND OPPORTUNITY FOR OUR EMPLOYEES.
- PRODUCE A REASONABLE RETURN ON EQUITY FOR SHAREHOLDERS AND INVESTORS
- MAKE CONTRIBUTIONS THAT STRENGTHEN THE COMMUNITY

Partnerships

IN INJURY/REDUCTION

Certificate
of
Recognition

This certificate recognizes that

TANKSTORE LTD.

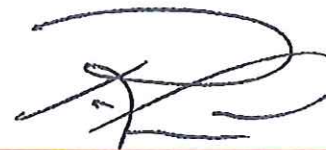
In keeping with the principles of *Partnerships* has:

- developed and implemented an occupational health and safety program and,
- met the standard for *Partnerships* through an independent evaluation of their health and safety program.



Alberta Construction Safety Association
Certifying Partner

Certificate # 20130905-1340
WCB Industry Code(s):42156



Government of Alberta

Expiry Date: September 05, 2016

Government
of Alberta ■



TANKSTORE LTD.

**HALKIRK, ALBERTA
(403) 884-2001**

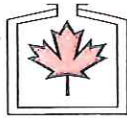
SERIAL# 5835 MODEL# 100BBL sc
NOM. DIAMETER 9' 3" NOM. HEIGHT 8'
NOM. CAPACITY 100BBL DATE MFG. MAY 14

	PRIMARY	SECONDARY
BOTTOM THICKNESS	<u>.250</u>	<u>.188</u>
SHELL THICKNESS	<u>.188</u>	<u>.188</u>
ROOF THICKNESS	<u>.188</u>	<u>.188</u>
DESIGN PRESSURE	<u>ATMOS</u>	CUST# <u>GASPRO</u>
INSULATION	<u></u>	
OTHER INFO	<u>API 12F MOD</u>	

TANKSTORE LTD.

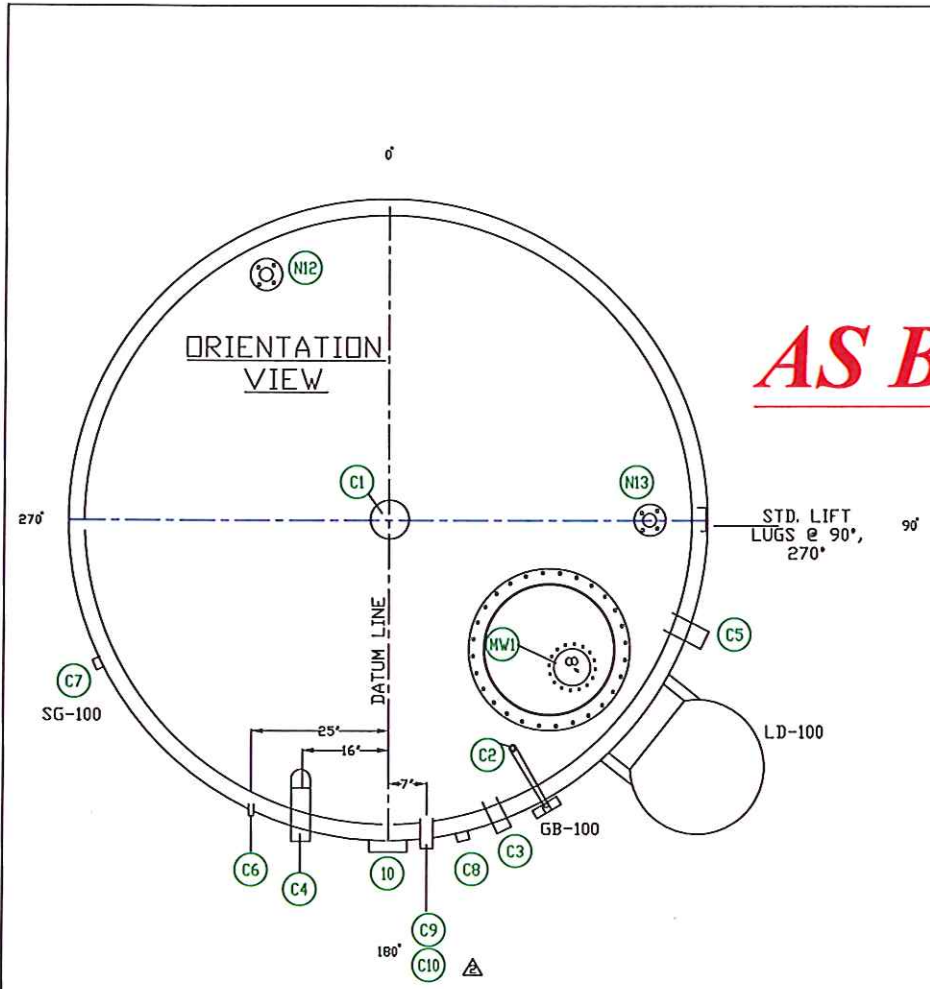
AIR SOAP TEST

ISSUED 5835		DATE May 15/14	
LOCATION ISSUED Tankstore Shop			
DESIGN PRESSURE Atmospheric	TEST PRESSURE REQUIRED 1 1/2 PSI	GAUGE NO'S USED: Two (2)	
TEST HOLD TIME REQUIRED 15 MIN	ID NO: NEW GAUGES	RANGE: 0-5 PSI	
	ID NO: NEW GAUGES		
TEST MEDIUM Air and Soap	MEDIUM TEMPERATURE REQUIRED 50°F		
PRESSURE INCREASE NOT TO EXCEED 1,000 kPa / MINUTE			
DESCRIPTION EQUIPMENT / SYSTEM			
AIR & SOAP TEST ALL WELDS , SEAMS, & NOZZLES			
<i>Tested circles, seams, nozzles</i>			
NOTES:			
1. EQUIPMENT / SYSTEM TO BE INSPECTED BY QUALITY CONTROL REPRESENTATIVE AND AUTHORIZED INSPECTOR BEFORE HYDROSTATIC TEST.			
2. SEAL ALL NOZZLES USING BLANK FLANGES AND GASKETS - NO GREASE OR OTHER COMPOUNDS TO BE APPLIED TO GASKET SURFACE.			
3. COUPLINGS AND WELD-O-LETS ETC. TO BE PLUGGED AND TEFLON TAPE OR WHITELEAD MIXTURE MAY BE USED FOR SEALING.			
4. PROVIDE AT LEAST ONE (1) VENT OPENING AT HIGHEST POINT DURING FILLING.			
5. WATER TEMPERATURES SHOULD BE AS SPECIFIED BUT NOT LESS THAN 50°F OR MORE THAN 120°F FOR ALLOY STEELS.			
6. ONE PRESSURE GAUGE SHALL BE USED ON THE TEST PIECE AND ONE GAUGE ON THE PUMP.			
7. TEST GAUGES SHOULD SHOW CALIBRATION DATE WITHIN 12 MONTHS OF DATE OF USE.			
8. TEST PRESSURE SHOULD BE HELD AS SPECIFIED BEFORE VIEWING.			
CONTRACTOR TANKSTORE LTD. PRINT OR TYPE NAME HERE <i>Lee J. L.</i>		OWNER _____ PRINT OR TYPE NAME HERE DATE <i>May 15/14</i>	
WITNESSED BY <i>Chris Sosa</i>		WITNESSED BY _____ DATE <i>May 15/14</i>	
DATE: <i>May 15/14</i>		QUALITY ASSURANCE ENGINEER _____	
FIELD TEST COMPLIANCE CERTIFICATE			
This is to certify the above listed equipment / system was tested as stated above and not witnessed by the Authorized Inspector			
WITNESSED BY	DATE	SIGNATURE	OF OWNER QUALITY ASSURANCE



CAPACITY FOR 9'-3" diameter 100 BBL TANK

CM	M3	CM	M3	CM	M3	CM	M3	CM	M3
1	0.062	50	3.124	99	6.185	148	9.247	197	12.308
2	0.124	51	3.186	100	6.248	149	9.309	198	12.371
3	0.187	52	3.248	101	6.310	150	9.372	199	12.433
4	0.249	53	3.311	102	6.372	151	9.434	200	12.496
5	0.312	54	3.373	103	6.435	152	9.496	201	12.558
6	0.374	55	3.436	104	6.497	153	9.559	202	12.620
7	0.437	56	3.498	105	6.560	154	9.621	203	12.683
8	0.499	57	3.561	106	6.622	155	9.684	204	12.745
9	0.562	58	3.623	107	6.685	156	9.746	205	12.808
10	0.624	59	3.686	108	6.747	157	9.809	206	12.870
11	0.687	60	3.748	109	6.810	158	9.871	207	12.933
12	0.749	61	3.811	110	6.872	159	9.934	208	12.995
13	0.812	62	3.873	111	6.935	160	9.996	209	13.058
14	0.874	63	3.936	112	6.997	161	10.059	210	13.120
15	0.937	64	3.998	113	7.060	162	10.121	211	13.183
16	0.999	65	4.061	114	7.122	163	10.184	212	13.245
17	1.062	66	4.123	115	7.185	164	10.246	213	13.308
18	1.124	67	4.186	116	7.247	165	10.309	214	13.370
19	1.187	68	4.248	117	7.310	166	10.371	215	13.433
20	1.249	69	4.311	118	7.372	167	10.434	216	13.495
21	1.312	70	4.373	119	7.435	168	10.496	217	13.558
22	1.374	71	4.436	120	7.497	169	10.559	218	13.620
23	1.437	72	4.498	121	7.560	170	10.621	219	13.683
24	1.499	73	4.561	122	7.622	171	10.684	220	13.745
25	1.562	74	4.623	123	7.685	172	10.746	221	13.808
26	1.624	75	4.686	124	7.747	173	10.809	222	13.870
27	1.686	76	4.748	125	7.810	174	10.871	223	13.933
28	1.749	77	4.810	126	7.872	175	10.934	224	13.995
29	1.811	78	4.873	127	7.934	176	10.996	225	14.058
30	1.874	79	4.935	128	7.997	177	11.058	226	14.120
31	1.936	80	4.998	129	8.059	178	11.121	227	14.182
32	1.999	81	5.060	130	8.122	179	11.183	228	14.245
33	2.061	82	5.123	131	8.184	180	11.246	229	14.307
34	2.124	83	5.185	132	8.247	181	11.308	230	14.370
35	2.186	84	5.248	133	8.309	182	11.371	231	14.432
36	2.249	85	5.310	134	8.372	183	11.433	232	14.495
37	2.311	86	5.373	135	8.434	184	11.496	233	14.557
38	2.374	87	5.435	136	8.497	185	11.558	234	14.620
39	2.436	88	5.498	137	8.559	186	11.621	235	14.682
40	2.499	89	5.560	138	8.622	187	11.683	236	14.745
41	2.561	90	5.623	139	8.684	188	11.746	237	14.807
42	2.624	91	5.685	140	8.747	189	11.808	238	14.870
43	2.686	92	5.748	141	8.809	190	11.871	239	14.932
44	2.749	93	5.810	142	8.872	191	11.933	240	14.995
45	2.811	94	5.873	143	8.934	192	11.996	241	15.057
46	2.874	95	5.935	144	8.997	193	12.058	242	15.120
47	2.936	96	5.998	145	9.059	194	12.121	243	15.182
48	2.99856	97	6.060	146	9.122	195	12.183	244	15.245
49	3.06104	98	6.123	147	9.184	196	12.246	245	15.307



LD-100
TANKSTORE STD ENGINEERED LADDER

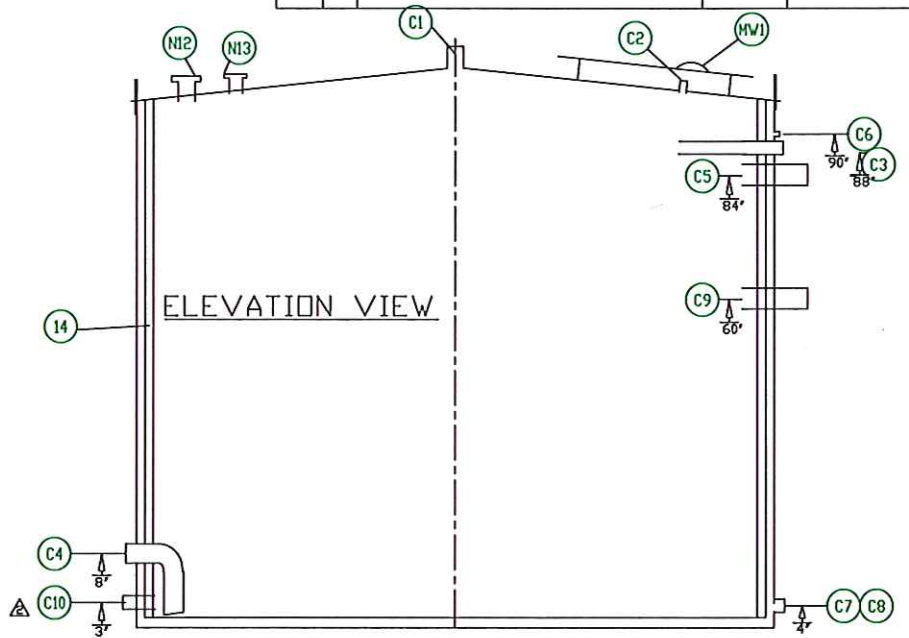
SG-100
TANKSTORE STD 2" NPT SITE GLASS

NOTES
 PRIMARY SHELL 9'-3" DD X 8' HIGH
 SECONDARY SHELL 9'-9" DD X 8' HIGH
 TANK DESIGN COMPLIANT TO G-55 GUIDELINES
 APPROXIMATE WEIGHT 7000 LBS
 PRIMARY AND SECONDARY SHELLS TESTED TO 1-1/2 PSIG

TANK MATERIALS	
INSIDE STORAGE TANK 96'	
FLOOR	1/4" HR PLT 44V/SA36
WALLS	3/16" HR PLT 44V/SA36
ROOF	3/16" HR PLT 44V/SA36
OUTSIDE SECONDARY CONTAINMENT TANK 96'	
FLOOR	3/16" HR PLT 44V/SA36
WALLS	3/16" HR PLT 44V/SA36
ROOF	10 Ga. HR PLT 44V/SA36

BILL OF MATERIALS				
MK	QTY.	DESCRIPTION	ELEVATION	SERVICE
C1	1	4' 3000# COLLAR ROOF	DOME	VENT
C2	1	1-1/2" NPT 2000# COLLAR	DOME	GAUGE BOARD
C3	1	2' 2000# COLLAR C/W 2" PIPE	88"	INLET
C4	1	3' NPT 2000# COLLAR C/W 3' DOWNCOMER	8'	LOAD OUT
C5	1	2' 3000# COLLAR C/W 3' PIPE	84"	HLSD
C6	1	1/2" 2000# COLLAR	90"	BREATHER VENT
C7	1	2" NPT SCH 80 NIPPLE	4'	SIGHT GLASS
C8	1	2' 2000# COLLAR	4'	SECONDARY DRAIN
C9	1	3 2000# COLLAR C/W 3' PIPE	60"	SPARE
10	1	NAME PLATE AND NAME PLATE BACKING		NAME PLATE
11	2	6" X 3/8" LIFTING LUGS 90° AND 270°		LIFT LUGS
MW1	1	TANKSTORE STD HANWAY SET 24" ROUND c/w 8" thick hatch pattern (BLINDED OFF)	DOME	HANWAY
NI2	1	3" 150# RFSO FLANGE	DOME	SPARE
NI3	1	2" 150# RFSO FLANGE	DOME	SPARE
C10	2	2000# COLLAR AND PIPE	3'	INDICATOR

AS BUILT



REV	DATE	REVISION	BY	APP
2	14-05-26	AS BUILT	CT	CT
1	14-05-06	REVISED AS PER CUSTOMER MARK UPS	CT	CT
0	14-04-29	ISSUED FOR MARK UPS	CT	CT

TANKSTORE LTD.
 Box 100
 Halkirk, Alberta,
 Canada, T0C 1M0
 403 884 2001

DATE: 2014-05-26
 DESIGNED BY: C. Turgeon
 CHECKED BY:
 APPROVED BY:
 SCALE: NTS

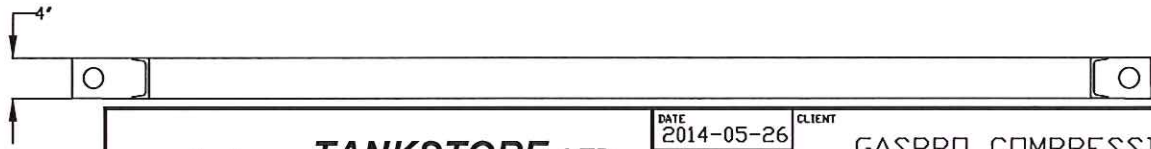
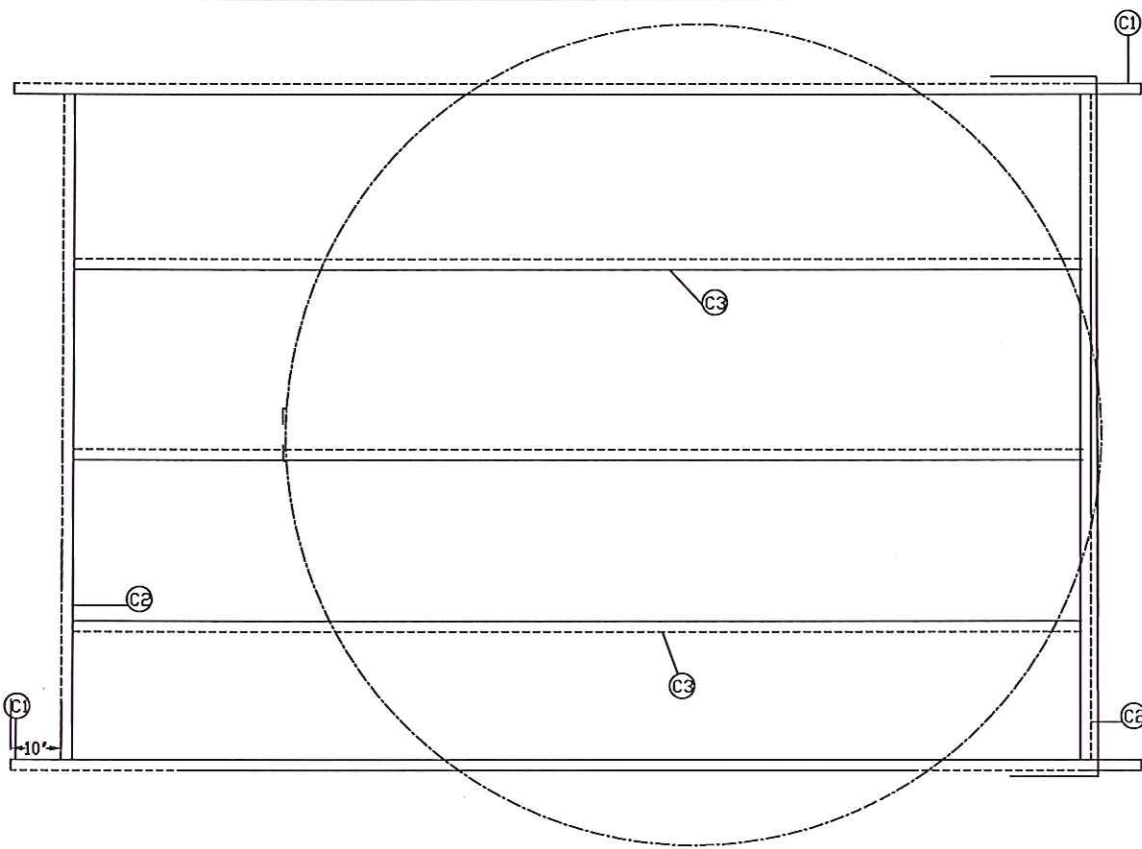
PROJECT: 2014-05-26
 FILE NO: 5835
 SHEET: 1 OF 1

CLIENT: GASPRO COMPRESSION
 TITLE: 100 BBL SC TANK
 PROJECT NO: 5835
 DRAWING NO: 5835
 REV. NO: 1


BILL OF MATERIALS

MARK	QTY.	DESCRIPTION	INV. CODE
C1	2	C4 x 5.4# x 173' LONG	
C2	2	C4 x 5.4# x 93' LONG	
C3	3	C4 x 5.4# x 150' LONG	

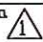
AS BUILT



NO.	DATE	REVISION	BY	APP
1	14-05-26	AS BUILT	CT	CT
0	14-05-06	ISSUED FOR APPROVAL	CT	CT



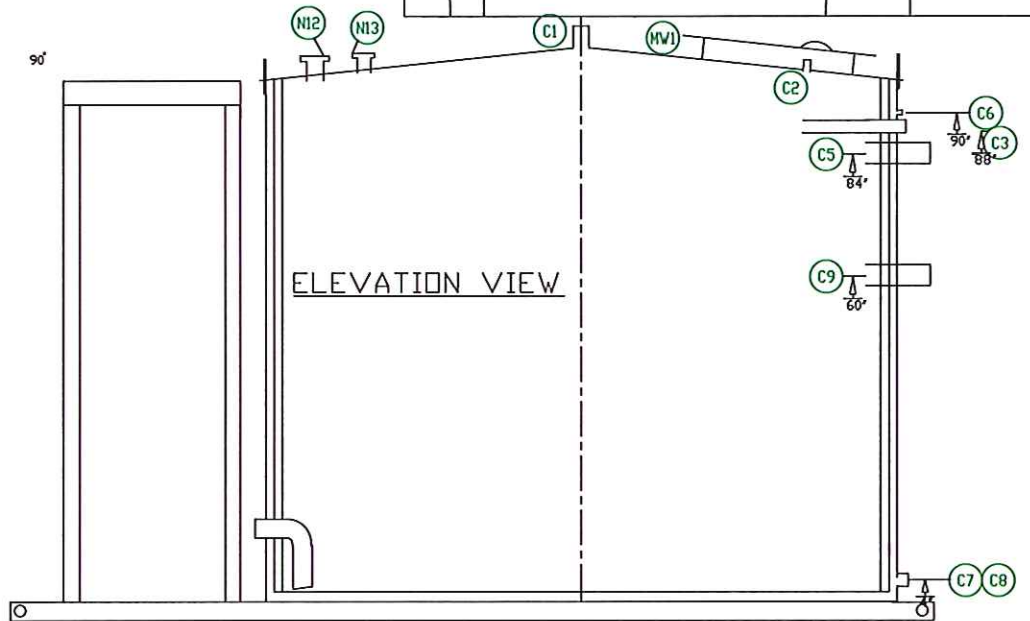
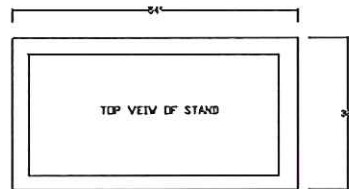
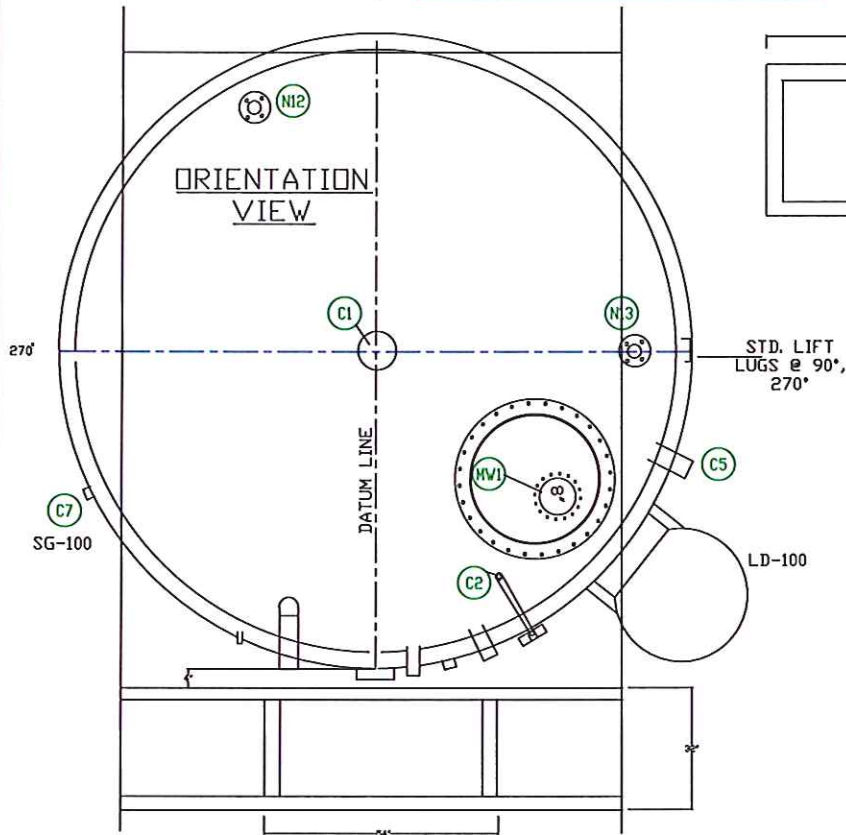
TANKSTORE LTD.
 Box 100
 Halkirk, Alberta,
 Canada, T0C 1M0
 403 884 2001

DATE 2014-05-26	CLIENT GASPRO COMPRESSION		
DESIGNED BY	TITLE 4" CHANNEL SKID		
DRAWN BY C. TURIGAN	PROJECT NO. 5835	FILENAME 5835	REFERENCE NO.
CHECKED BY	SCALE NTS	SHEET NO. 1 OF 1	DRAWING NO. 5835
APPROVED BY	REV. NO. 		

AS BUILT

TANK MATERIALS	
INSIDE STORAGE TANK 96"	
FLOOR	1/4" HR PLT 44V/SA36
WALLS	3/16" HR PLT 44V/SA36
ROOF	3/16" HR PLT 44V/SA36
OUTSIDE SECONDARY CONTAINMENT TANK 96"	
FLOOR	3/16" HR PLT 44V/SA36
WALLS	3/16" HR PLT 44V/SA36
ROOF	10 Ga. HR PLT 44V/SA36

BILL OF MATERIALS				
PK	QTY	DESCRIPTION	ELEVATION	SERVICE
C1	1	4' 3000# COLLAR ROOF	DOME	VENT
C2	1	1-1/2" NPT 2000# COLLAR	DOME	GAUGE BOARD
C3	1	2" 2000# COLLAR C/W 2" PIPE	88'	INLET
C4	1	3' NPT 2000# COLLAR C/W 3' DOWNCOMER	8'	LOAD OUT
C5	1	2" 3000# COLLAR C/W 3' PIPE	84'	HLSD
C6	1	1/2" 2000# COLLAR	90'	BREATHER VENT
C7	1	2" NPT SCH 80 NIPPLE	4'	SIGHT GLASS
C8	1	2" 2000# COLLAR	4'	SECONDARY DRAIN
C9	1	3 2000# COLLAR C/W 3' PIPE	60'	SPARE
10	1	NAME PLATE AND NAME PLATE BACKING		NAME PLATE
11	2	6" X 3/8" LIFTING LUGS 90° AND 270°		LIFT LUGS
MW1	1	TANKSTORE STD MANWAY SET 24" ROUND c/w 8" thief hatch pattern (BLINDED OFF)	DOME	MANWAY
N12	1	3" 150# RFSO FLANGE	DOME	SPARE
N13	1	2" 150# RFSO FLANGE	DOME	SPARE



NOTES

PRIMARY SHELL 9'-3" DD X 8' HIGH
 SECONDARY SHELL 9'-9" DD X 8' HIGH
 TANK DESIGN COMPLIANT TO G-55 GUIDELINES
 APPROXIMATE WEIGHT 7000 LBS
 PRIMARY AND SECONDARY SHELLS TESTED TO 1-1/2 PSIG

REV	DATE	REVISION	BY	APP
2	14-05-26	AS BUILT	CT	CT
1	14-05-06	REVISED AS PER CUSTOMER MARK UPS	CT	CT
0	14-04-29	ISSUED FOR MARK UPS	CT	CT

<p>TANKSTORE LTD. Box 100 Halkirk, Alberta, Canada, T0C 1M0 403 884 2001</p>	DATE 2014-05-26	CLIENT GASPRO COMPRESSION
	DESIGNED BY C. Turkel	TITLE 100 BBL SC TANK
	APPROVED BY	PROJECT NO. 5835
	SCALE NTS	ISSUE NO. 5835

WARRANTY

All equipment manufactured by Tankstore Ltd. is guaranteed to be free from defects in workmanship for a period of one year from date of shipment. This warranty is limited to repair and does not include any cleaning, trucking or loss of production. In order to maintain warranty Tankstore Ltd. must be notified immediately should there be any warranty claims and Tankstore Ltd. must be given the first opportunity to make repairs. Tankstore Ltd. passes on the manufacturers warranty on goods purchased from other suppliers.



***TANKSTORE* LTD.**

INNOVATION AND EXCELLENCE IN MANUFACTURING

CALGARY DIRECT : 403 288 2001

HALKIRK PLANT : 403 884 2001

FAX : 403 884 2006

BOX 100, HALKIRK, AB, CANADA T0C 1M0

www.tankstoreltd.com