

TANKSTORE LTD.



INNOVATION AND

EXCELLENCE IN

MANUFACTURING

www.tankstoreltd.com

Partnerships

IN INJURY/REDUCTION

Certificate
of
Recognition

This certificate recognizes that

TANKSTORE LTD.

In keeping with the principles of *Partnerships* has:

- developed and implemented an occupational health and safety program and,
- met the standard for *Partnerships* through an independent evaluation of their health and safety program.



Alberta Construction Safety Association
Certifying Partner

Certificate # 20130905-1340
WCB Industry Code(s) 42156



Government of Alberta

Expiry Date: September 05, 2016

Government
of Alberta

TANKSTORE_{LTD.}

TANKSTORE MISSION STATEMENT

TANKSTORE IS COMMITTED TO PROVIDING COST-EFFECTIVE TECHNOLOGICALLY SUPERIOR PRODUCTS FOR CUSTOMERS AT A PROFIT. THROUGH **ETHICAL, RESPONSIVE** AND **PROFITABLE** ACTIONS OUR COMPANY WILL PROVIDE A FULFILLING WORK ENVIRONMENT FOR OUR EMPLOYEES, EXCELLENT PRODUCTS AND SERVICES FOR OUR CUSTOMERS AND STRENGTH AND SUPPORT IN THE COMMUNITY.

TANKSTORE OPERATING VALUES

ETHICAL

- CONDUCT OUR BUSINESS FAIRLY AND WITH INTEGRITY WITH CUSTOMERS AND IN THE MARKETPLACE
- ENSURE FAIR AND EQUITABLE TREATMENT OF EMPLOYEES
- CREATE WIN-WIN SITUATIONS AND RELATIONSHIPS

RESPONSIVE

- IDENTIFY CUSTOMER EXPECTATIONS AND DELIVER ON COMMITMENTS IN A TIMELY MANNER.
- DEMONSTRATE RESPECT FOR ALL EMPLOYEES AND THEIR IDEAS.
- IDENTIFY OPPORTUNITIES FOR GIVING THE CUSTOMER VALUE ADDED BEYOND QUOTED MINIMUMS

PROFITABLE

- PROVIDE COST-EFFECTIVE, TECHNOLOGICALLY SUPERIOR PRODUCTS FOR OUR CUSTOMERS.
- ENCOURAGE PERSONAL INITIATIVE AND OPPORTUNITY FOR OUR EMPLOYEES.
- PRODUCE A REASONABLE RETURN ON EQUITY FOR SHAREHOLDERS AND INVESTORS
- MAKE CONTRIBUTIONS THAT STRENGTHEN THE COMMUNITY



TANKSTORE LTD.

**HALKIRK, ALBERTA
(403) 884-2001**

SERIAL# 5943 MODEL# 50BBL SC

NOM. DIAMETER 7'7" NOM. HEIGHT 6'

NOM. CAPACITY 50 BBL DATE MFG. JUNE 15

PRIMARY

SECONDARY

BOTTOM THICKNESS .250 .188

SHELL THICKNESS .188 .188

ROOF THICKNESS .188 .188

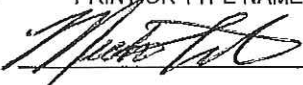

DESIGN PRESSURE ATMOS CUST# GAS PRO

INSULATION _____

OTHER INFO API 12F MODIFIED

TANKSTORE LTD.

AIR SOAP TEST

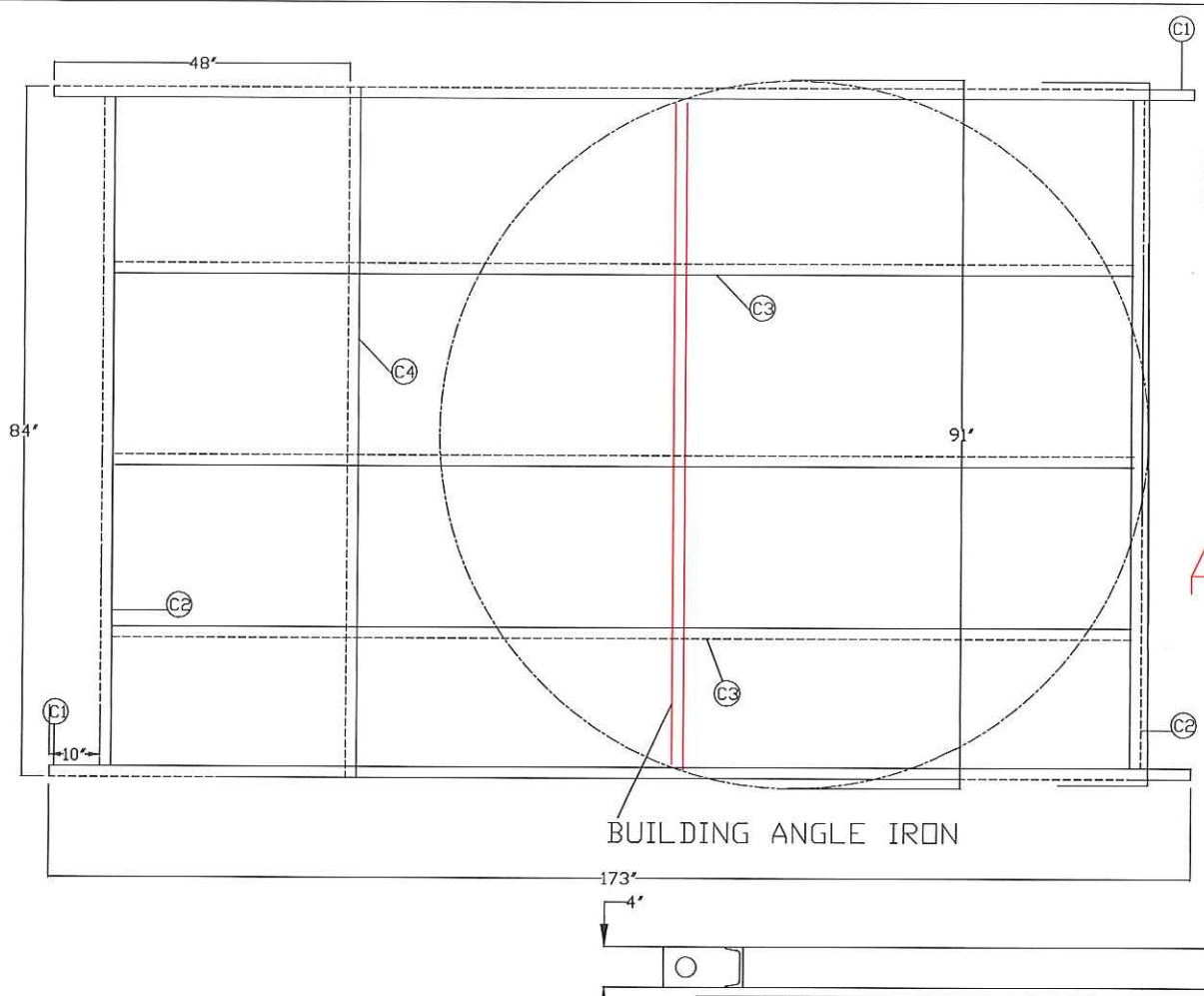
ISSUED 5943		DATE <i>May 26 2015</i>	
LOCATION ISSUED Tankstore Shop			
DESIGN PRESSURE Atmospheric	TEST PRESSURE REQUIRED 1 1/2 PSI	GAUGE NO'S USED: Two (2)	
TEST HOLD TIME REQUIRED 15 MIN		ID NO: NEW GAUGES	RANGE: 0-5 PSI
		ID NO: NEW GAUGES	
TEST MEDIUM Air and Soap		MEDIUM TEMPERATURE REQUIRED 50°F	
PRESSURE INCREASE NOT TO EXCEED 1,000 kPa / MINUTE			
DESCRIPTION EQUIPMENT / SYSTEM			
AIR & SOAP TEST ALL WELDS , SEAMS, & NOZZLES			
<i>tested circles , seams , nozzles , man way</i>			
NOTES:			
<ol style="list-style-type: none"> 1. EQUIPMENT / SYSTEM TO BE INSPECTED BY QUALITY CONTROL REPRESENTATIVE AND AUTHORIZED INSPECTOR BEFORE HYDROSTATIC TEST. 2. SEAL ALL NOZZLES USING BLANK FLANGES AND GASKETS - NO GREASE OR OTHER COMPOUNDS TO BE APPLIED TO GASKET SURFACE. 3. COUPLINGS AND WELD-O-LETS ETC. TO BE PLUGGED AND TEFLON TAPE OR WHITELEAD MIXTURE MAY BE USED FOR SEALING. 4. PROVIDE AT LEAST ONE (1) VENT OPENING AT HIGHEST POINT DURING FILLING. 5. WATER TEMPERATURES SHOULD BE AS SPECIFIED BUT NOT LESS THAN 50°F OR MORE THAN 120°F FOR ALLOY STEELS. 6. ONE PRESSURE GAUGE SHALL BE USED ON THE TEST PIECE AND ONE GAUGE ON THE PUMP. 7. TEST GAUGES SHOULD SHOW CALIBRATION DATE WITHIN 12 MONTHS OF DATE OF USE. 8. TEST PRESSURE SHOULD BE HELD AS SPECIFIED BEFORE VIEWING. 			
CONTRACTOR TANKSTORE LTD. PRINT OR TYPE NAME HERE		OWNER PRINT OR TYPE NAME HERE	
<i>May 26 / 15</i> DATE		DATE	
 Mike Nelson		QUALITY ASSURANCE ENGINEER	
WITNESSED BY 		WITNESSED BY	
DATE: <i>May 26 / 15</i>		DATE	
FIELD TEST COMPLIANCE CERTIFICATE			
This is to certify the above listed equipment / system was tested as stated above and not witnessed by the Authorized Inspector			
WITNESSED BY	DATE	SIGNATURE	OF OWNER QUALITY ASSURANCE



TANKSTORE LTD.

CAPACITY FOR 7'- 2"diameter 50 BBL TANK

CM	M3	CM	M3	CM	M3	CM	M3
1	0.038	50	1.875	99	3.713	148	5.550
2	0.075	51	1.913	100	3.751	149	5.588
3	0.113	52	1.951	101	3.788	150	5.625
4	0.150	53	1.988	102	3.826	151	5.663
5	0.188	54	2.026	103	3.863	152	5.700
6	0.225	55	2.063	104	3.901	153	5.738
7	0.263	56	2.101	105	3.938	154	5.775
8	0.300	57	2.138	106	3.976	155	5.813
9	0.338	58	2.176	107	4.013	156	5.850
10	0.375	59	2.213	108	4.051	157	5.888
11	0.413	60	2.251	109	4.088	158	5.925
12	0.450	61	2.288	110	4.126	159	5.963
13	0.488	62	2.326	111	4.163	160	6.000
14	0.525	63	2.363	112	4.201	161	6.038
15	0.563	64	2.401	113	4.238	162	6.075
16	0.600	65	2.438	114	4.276	163	6.112
17	0.638	66	2.476	115	4.313	164	6.150
18	0.675	67	2.513	116	4.351	165	6.187
19	0.713	68	2.551	117	4.388	166	6.225
20	0.750	69	2.588	118	4.426	167	6.262
21	0.788	70	2.626	119	4.463	168	6.300
22	0.825	71	2.663	120	4.501	169	6.337
23	0.863	72	2.701	121	4.538	170	6.375
24	0.900	73	2.738	122	4.576	171	6.412
25	0.938	74	2.776	123	4.613	172	6.450
26	0.975	75	2.813	124	4.650	173	6.487
27	1.013	76	2.851	125	4.688	174	6.525
28	1.050	77	2.888	126	4.725	175	6.562
29	1.088	78	2.926	127	4.763	176	6.600
30	1.125	79	2.963	128	4.800	177	6.637
31	1.163	80	3.001	129	4.838	178	6.675
32	1.200	81	3.038	130	4.875	179	6.712
33	1.238	82	3.076	131	4.913	180	6.750
34	1.275	83	3.113	132	4.950	181	6.787
35	1.313	84	3.151	133	4.988	182	6.825
36	1.350	85	3.188	134	5.025	183	6.862
37	1.388	86	3.226	135	5.063		
38	1.425	87	3.263	136	5.100		
39	1.463	88	3.301	137	5.138		
40	1.500	89	3.338	138	5.175		
41	1.538	90	3.376	139	5.213		
42	1.575	91	3.413	140	5.250		
43	1.613	92	3.451	141	5.288		
44	1.650	93	3.488	142	5.325		
45	1.688	94	3.526	143	5.363		
46	1.725	95	3.563	144	5.400		
47	1.763	96	3.601	145	5.438		
48	1.800	97	3.638	146	5.475		
49	1.838	98	3.676	147	5.513		



BILL OF MATERIALS			
MARK	QTY.	DESCRIPTION	INV. CODE
C1	2	C4 x 5.4# x 173' LONG	
C2	2	C4 x 5.4# x 81' LONG	
C3	3	C4 x 5.4# x 150' LONG	
C4	4	C4 x 5.4# x 20' LONG CTS	

AS BUILT

NO.	DATE	REVISION	BY	APP
3	15-06-01	AS BUILT	CT	CT
2	15-05-04	ADD BUILDING LINE ANGLE IRON	CT	CT
1	15-04-28	AS C4 TO SKID	CT	CT
0	15-04-24	ISSUED FOR BID	CT	CT



TANKSTORE LTD.
 Box 100
 Halkirk, Alberta,
 Canada, T0C 1M0
 403 884 2001

DATE 2015-06-01	CLIENT GASPRO COMPRESSION		
DESIGNED BY	TITLE 4" CHANNEL SKID		
DRAWN BY C. TURIGAN	PROJECT NO. 5943	FILENAME 5943	REFERENCE NO.
CHECKED BY	SHEET NO.	DRAWING NO. 5943	REV. NO. 3
APPROVED BY	SCALE NTS		

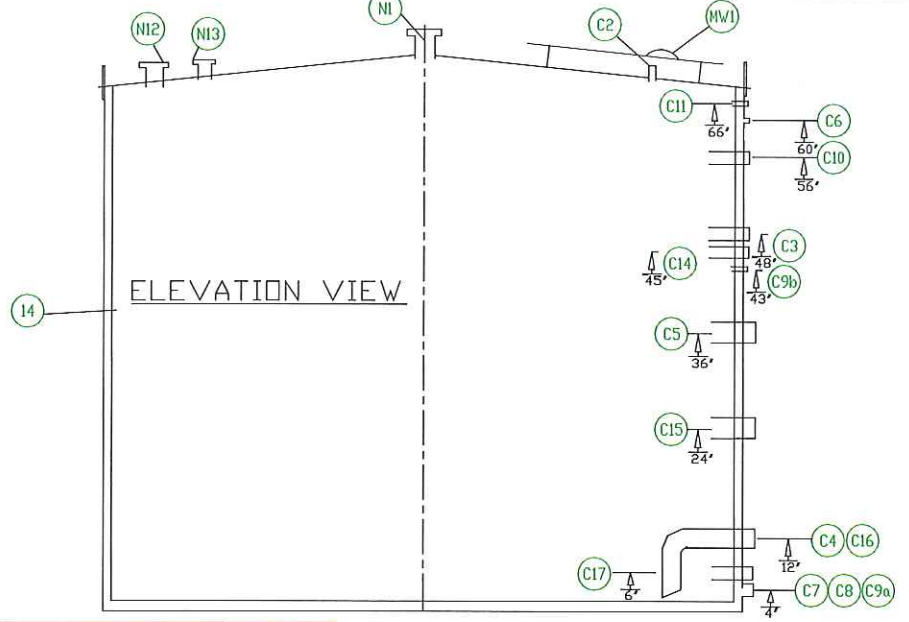
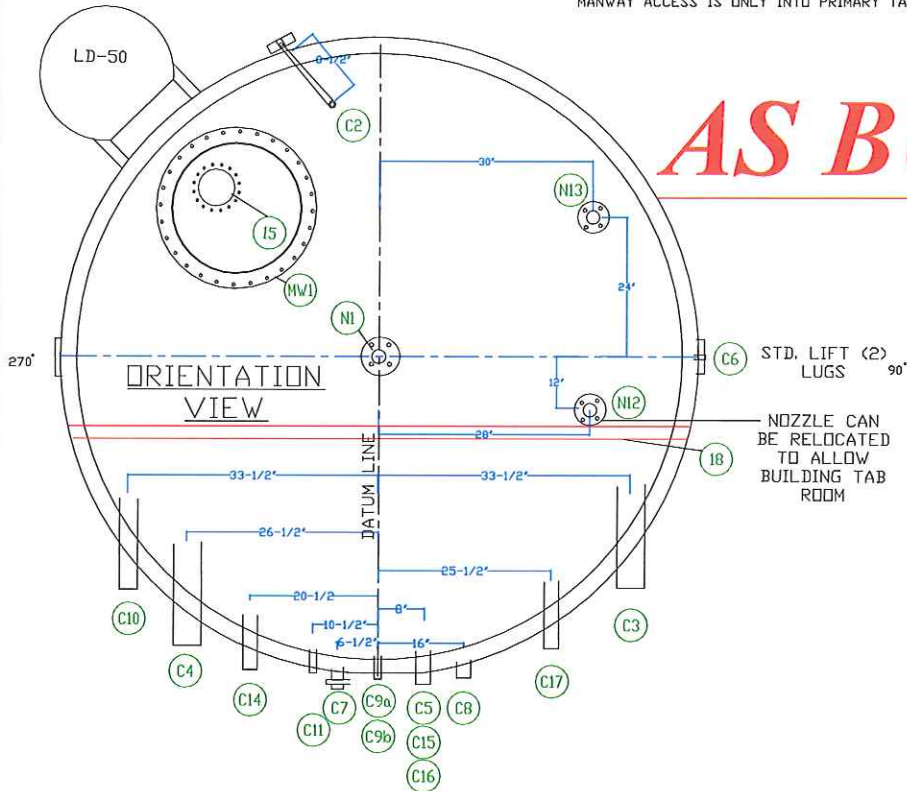
ALL FLANGED NOZZLES TO HAVE 6" OUTSIDE PROJECTION

ONLY ACCESS TO SECONDARY IS NOZZLES C7, CB
MANWAY ACCESS IS ONLY INTO PRIMARY TANK

TANK MATERIALS	
INSIDE STORAGE TANK 7'-2" x 72" HIGH	
FLOOR	1/4" HR PLT 44V/SA36
WALLS	3/16" HR PLT 44V/SA36
ROOF	3/16" HR PLT 44V/SA36
OUTSIDE CONTAINMENT TANK 7'-7" X 72"	
FLOOR	3/16" HR PLT 44V/SA36
WALLS	3/16" HR PLT 44V/SA36
LIFT LUGS	3/8" X 4" TANKSTORE STD.
NAME PLATE	TANKSTORE STD.

BILL OF MATERIALS				
MK	QTY	DESCRIPTION	ELEVATION	SERVICE
NI	1	4" 150# RFSO FLANGE	DOME	VENT
C2	1	1-1/2" 3000# COLLAR	DOME	GAUGE BOARD
C3	1	3" 3000# COLLAR C/W 3" PIPE	48'	INLET
C4	1	3" 3000# COLLAR C/W DOWNCOMER	12'	LOAD OUT
C5	1	3" 3000# COLLAR C/W 3" PIPE	36'	HLSD
C6	1	1/2" 2000# COLLAR	60'	BREATHER VENT
C7	1	2" NPT SCH 80 NIPPLE	4'	SIGHT GLASS
CB	1	2" 2000# COLLAR	4'	SECONDARY DRAIN
C9a,b	2	3/4 3000# COLLAR C/W 3/4" PIPE	4', 43'	SITE GLASS
C10	1	2" 2000# COLLAR C/W 2" PIPE	56'	OUTLET
C11	1	1" 2000# COLLAR C/W 1" PIPE	66'	MAKE UP GAS
MW1	1	TANKSTORE STD MANWAY SET 24" ROUND	DOME	MANWAY
NI2	1	3" 150# RFSO FLANGE	DOME	SPARE
NI3	1	2" 150# RFSO FLANGE	DOME	PURGE
C14	1	2" 2000# COLLAR C/W 2" PIPE	45'	SPARE
C15	1	3" 3000# COLLAR C/W 3" PIPE	24'	LEVEL ALARM
C16	1	3" 3000# COLLAR C/W 3" PIPE	12'	LEVEL CONTROL
C17	1	2" 3000# COLLAR C/W 2" PIPE	6'	PUMP OUT
18	1	4" X 2" ANGLE IRON FOR ROOF BUILDING TAB	WIDTH OF SKID	

AS BUILT



LD-50
TANKSTORE STD ENGINEERED LADDER

SG-50
TANKSTORE STD 2" NPT SIGHT GLASS

NOTES
 PRIMARY SHELL 7'-2" OD X 6' HIGH
 SECONDARY SHELL 7'-7" OD X 6' HIGH
 TANK DESIGN COMPLIANT TO G-55 GUIDELINES
 APPROXIMATE WEIGHT 5000 LBS
 PRIMARY AND SECONDARY SHELLS TESTED TO 1-1/2 PSIG
 TANK IS DESIGNED TO 16 OZ. PRESSURE AT AMBIENT TEMP.

NO.	DATE	REVISION	BY	APP
3	15-06-02	AS BUILT	CT	CT
2	15-05-04	ADD BUILDING ANGLE IRON	CT	CT
1	15-04-28	MOVE NOZZLES TO CUSTOMER REQUESTS	CT	CT
0	15-04-17	ISSUED FOR BID	CT	CT

TANKSTORE LTD.
 Box 100
 Halkirk, Alberta,
 Canada, T0C 1M0
 403 884 2001

DATE 2015-06-02	CLIENT GASPRO COMPRESSION
DESIGNED BY C. Turigson	TITLE 50 BBL SC TANK
APPROVED BY	PROJECT NO 5943
SCALE NTS	REV. NO 3
	ISSUING NO 5943

WARRANTY

All equipment manufactured by Tankstore Ltd. is guaranteed to be free from defects in workmanship for a period of one year from date of shipment. This warranty is limited to repair and does not include any cleaning, trucking or loss of production. In order to maintain warranty Tankstore Ltd. must be notified immediately should there be any warranty claims and Tankstore Ltd. must be given the first opportunity to make repairs. Tankstore Ltd. passes on the manufacturers warranty on goods purchased from other suppliers.



TANKSTORE LTD.

INNOVATION AND EXCELLENCE IN MANUFACTURING

CALGARY DIRECT : 403 288 2001

HALKIRK PLANT : 403 884 2001

FAX : 403 884 2006

BOX 100, HALKIRK, AB, CANADA T0C 1M0

www.tankstoreltd.com