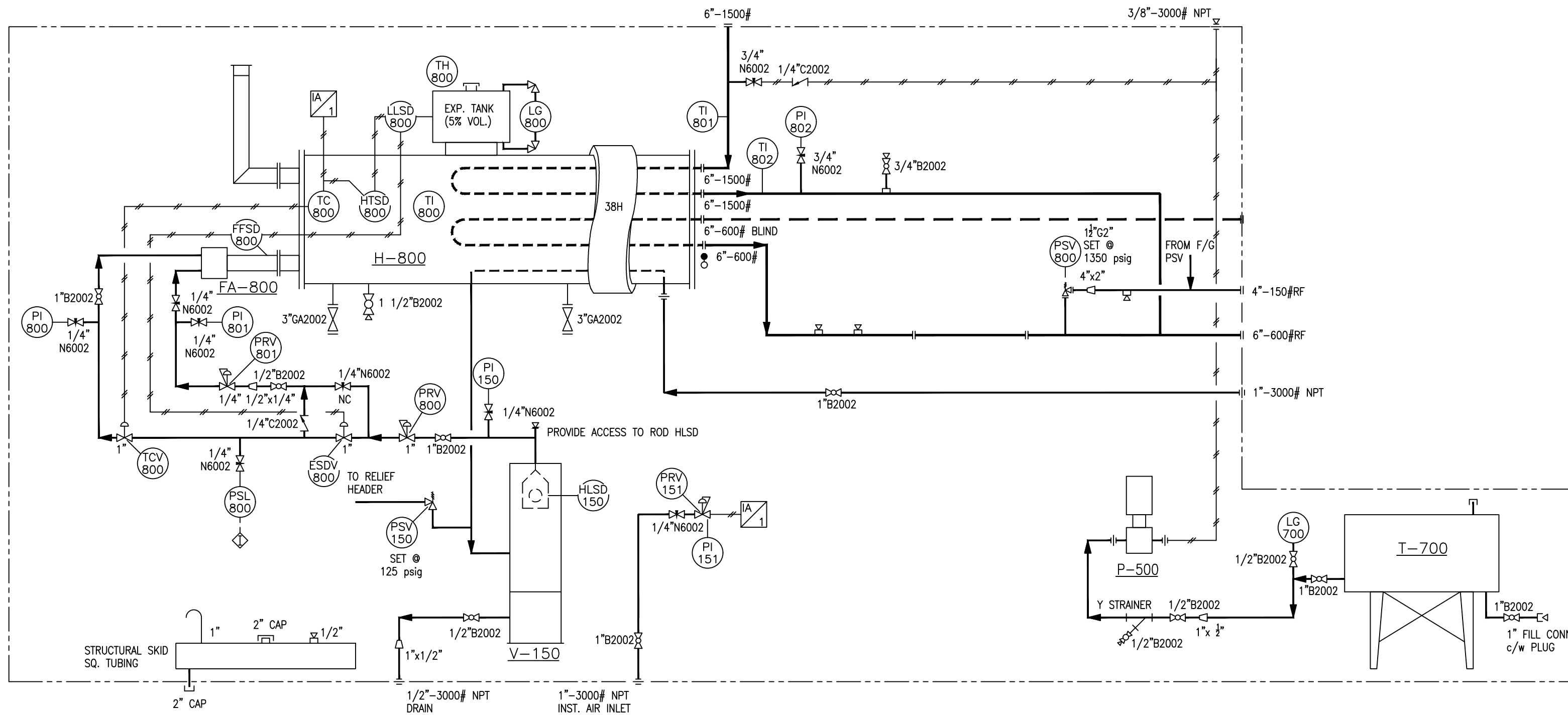


H-800
 4,200,000 BTU/Hr FIRED HEATER
 MAWP PRE-HEAT COIL: 3000 psig @ 200°F
 100% RADIOGRAPHY, 1/8" C.A.
 MAWP RE-HEAT COIL: 1350 psig @ 200°F
 100% RADIOGRAPHY, 1/8" C.A.

V-150
 FUEL GAS SCRUBBER
 SIZE : 8 5/8" x 30" E/E
 DESIGN: 150 psig @ 100°F, 1/16" C.A.

P-500
 METHANOL INJECTION PUMP
 MODEL : TEXSTEAM 4334
 PLUNGER: 3/16" DIA.
 FLOW: 10 GPD @ 3000 PSIG
 MOTOR: 110 V 1PH/60HZ/1PH

T-700
 METHANOL STORAGE TANK
 CAPACITY: 1000 gal.
 (ON SKID)



BILL OF MATERIALS

ITEM	QTY	DESCRIPTION
P-500	1	TEXSTEAM MODEL 4334 INJECTION PUMP
ESDV-800	1	FISHER CONTROL VALVE, 1" NPT 357, 1" PORT 0-35 PSI SIGNAL, ATO, NACE TRIM
FA-800	1	WENCO, FLAME ARRESTOR / BURNER ASSY, 4.2 MM BTU/HR 24" FIRE TUBE
FFSD-800	1	KIMRAY, FLAME FAILURE SHUTDOWN HT-18-PC
HTSD-800	1	KIMRAY, TEMP CONTROLLER, HT-12 BASE ASSEMBLY C/W 3/4" NPT x 12" LG. C.STEEL TW.
LG-800	1	DANIEL, TUBULAR SIGHT GLASS C/W TC1 COCKS
LLSD-800	1	SOR, LEVEL SWITCH, 2" NPT 15308-G2A-C-JO-PS, STD 316 SS FLOAT, 304 SS BODY
PI-802	1	WIKA PRESSURE INDICATOR, 1/2" NPTx4" LIQUID FILLED, DUAL SCALE(0-1500 PSIG) SS CASE
PI-151	1	WIKA PRESSURE INDICATOR, 1/4" NPT x 2" LIQUID FILLED, DUAL SCALE (0-60 PSI) SS CASE, BACK MOUNT
PI-800/801	2	WIKA, PRESSURE INDICATOR, 1/4" NPTx 2.5" LIQ.FILLED,DUAL SCALE (0-30 PSI) SS CASE
PRV-800	1	FISHER REGULATOR 1" NPT MODEL 627 STEEL BODY C/W 5-20 PSIG SET SPRING 1/4" PORT, STD TRIM
PRV-151/801	2	FISHER REGULATOR 1/4" NPT MODEL 67AFR, 35# SET SPRING, STANDARD TRIM
PSV-800	1	MERCER 1 1/2" 600# X 2"150# MODEL 9135611727 SET @1350 PSIG
PSV-150	1	TAYLOR RELIEF VALVE, 1"x1" NPT MODEL T8200, SET @ 125 PSIG
TC-800	1	KIMRAY, TEMP CONTROLLER, HT-12 BASE ASSEMBLY C/W 3/4" NPT x 12" LG. C.STEEL TW.
TCV-800	1	FISHER CONTROL VALVE, 1" NPT 357, 1" PORT 0-35 PSI SIGNAL, ATO, NACE TRIM
TH-800	1	WENCO TH8, 8", 4 OZ. THIEF HATCH C/W BUNA BASE GASKET
TI-800	1	TREND TEMPERATURE INDICATOR, 1/2"x3" DUAL SCALE (50 TO 250°F) C/W 3/4" NPT x 6" LG. 304 SS THERMOWELL
TI-801/802	2	TREND TEMPERATURE INDICATOR, 1/2" x 4" DUAL SCALE (-40 TO 120°F) C/W 3/4" NPT x 4" LG. 316SS THERMOWELL
PI-150	1	WIKA, PRESSURE INDICATOR, 1/4" NPTx 2.5" LIQ.FILLED,DUAL SCALE (0-160 PSI) SS DIAL
PSL-800	1	CCS DUAL SNAP M/N 6900GZE12, SPDT, SET @ 5 PSIG FALLING, 316 SS/VTON TRIM
LG-700	1	KENCO 5700 PUMP RATE GAUGE
HLSL-150	1	LOTECH FG HIGH LEVEL SHUT OFF
YS-050	1	SSI 1/2" 600# Y-STRAINER

VALVE BILL OF MATERIAL

TAG	QTY	SIZE	RATING	DESCRIPTION	BRAND	TRIM
1 1/2"B2002	1	1 1/2"	2000# NPT	REG. PORT BALL VALVE	KF-HALE	NACE
1"B2002	6	1"	2000# NPT	REG. PORT BALL VALVE	KF-HALE	NACE
1/2"B2002	5	1/2"	2000# NPT	REG. PORT BALL VALVE	KF-HALE	NACE
1/4"N6002	7	1/4"	6000# NPT	NEEDLE VALVE FxF	CENTURY	S.S.
3/4"N6002	3	3/4"	6000# NPT	NEEDLE VALVE 3/4"mx1/2"	CENTURY	S.S.
1/4"C2002	2	1/4"	6000# NPT	INLINE CHECK VALVE S.S.	LOTECH	S.S.
3"GA2002	2	3"	150# RF	GATE VALVE	NAVCO	STD

BUILDING

- 9'-0" x 10'-0" x 9'-6" SHED ROOF, 1/12 SLOPE
- 22 GA GALVALUME EXTERIOR, 24 GA FLUTED ALUMINUM INTERIOR
- (1) ONE 3' x 7' SINGLE MANDOOR, c/w CHECKCHAIN, HYDRAULIC CLOSER
- 24" IMG WINDOW, PANIC HARDWARE
- (2) TWO 12" x 12" LOUVERS
- (1) 40" x 40" DOUBLE GLAZED SLIDING WINDOW W/ HALF SCREEN

PIPING

- 600 ANSI IS SCH 80, SA-333-GR6
- 1500 ANSI PIPING IS SCH 160, SA-333-GR6
- ALL NPT PIPING TO BE SCH 80, SA-106B w/ 3000# SA-105 FITTINGS
- 100% RADIOGRAPHY AND PWIT ON ALL BW PIPING
- ALL TUBING TO BE 3/8" x 0.035" WALL, 316 STAINLESS STEEL WITH SS PARKER TUBE FITTINGS

PAINT

- COMMERCIAL SANDBLAST, SSCP-SP6
- (1) S/C ZINC CHROMATE PRIMER
- (1) S/C VALSPAR 20-F-34 ENAMEL ON PIPING
- (1) S/C VALSPAR GLOSS BLACK ENAMEL ON STRUCTURAL STEEL
- (1) S/C HT ALUMINUM ON LINEHEATER AND STACK

INSULATION

- 1 1/2" FIBERGLASS W/ 0.020" SMOOTH ALUMINUM GLADDING, SS SCREWS AND BANDING

REVISIONS

REV.	DESCRIPTION	DATE	DRAWN	CHK'D	APP'D
1	REV. PER NEIL KELLY	Feb. 19 '03		D.L.	
0	ISSUED FOR APPROVAL	Jan. 12 '03		D.L.	

ENGINEERING RECORD		MOSS FABRICATION LTD.			
DRAWN BY D.LEINWEBER	DATE Jan. 12 '03	CALGARY CLIENT	ALBERTA		
CHKD BY -	DATE -	PROJECT PARAMOUNT RESOURCES LTD.			
ENGINEER -	DATE -	TITLE CAMERON HILLS LINEHEATER			
CAD FILE No. DRAFTING\F\F2535-1	PLOTTED SCALE	MECHANICAL FLOW SHEET			
UPDATED BY	DATE	SCALE NONE	PROJECT No. 3235	DRAWING No. F2535-1	REV. 1