

Location: TBA  
 Occupancy Classification: Dorms, ABC 2006, Part 10

Note: Dorms that exceed 600m<sup>2</sup> in building area must be sprinklered to a maximum 1200m<sup>2</sup> (ABC 2006, 10.1.1.3.1a(ii))

Snow load: min. 2.0kPa  
 Wind load: min. 0.7kPa  
 Floor load: min. 2.4kPa

Building Footprint: 4'Wide Hallway - 583m<sup>2</sup>  
 4'-6"Wide Hallway - 593m<sup>2</sup>  
 5'Wide Hallway - 600m<sup>2</sup>  
 5-6'Wide Hallway - 614m<sup>2</sup>  
 6'Wide Hallway - 625m<sup>2</sup>

Typical Bedroom Footprint: 80ft<sup>2</sup>  
 Typical Washroom Footprint: 24ft<sup>2</sup>

### 44-BED (SKIDDED) "DORMITORY" Overall Plan

presented to ...

This drawing is for presentation purposes and does not constitute an approved drawing for construction purposes. Required final drawing approval protocol will be as required by location building code requirements and local authorities permitting review processes. This drawing and design is the sole property of Alta-Fab Structures Ltd. and may not be reproduced or submitted without the expressed written consent of Alta-Fab Structures Ltd.

**ALTA-FAB**  
 structures ltd.

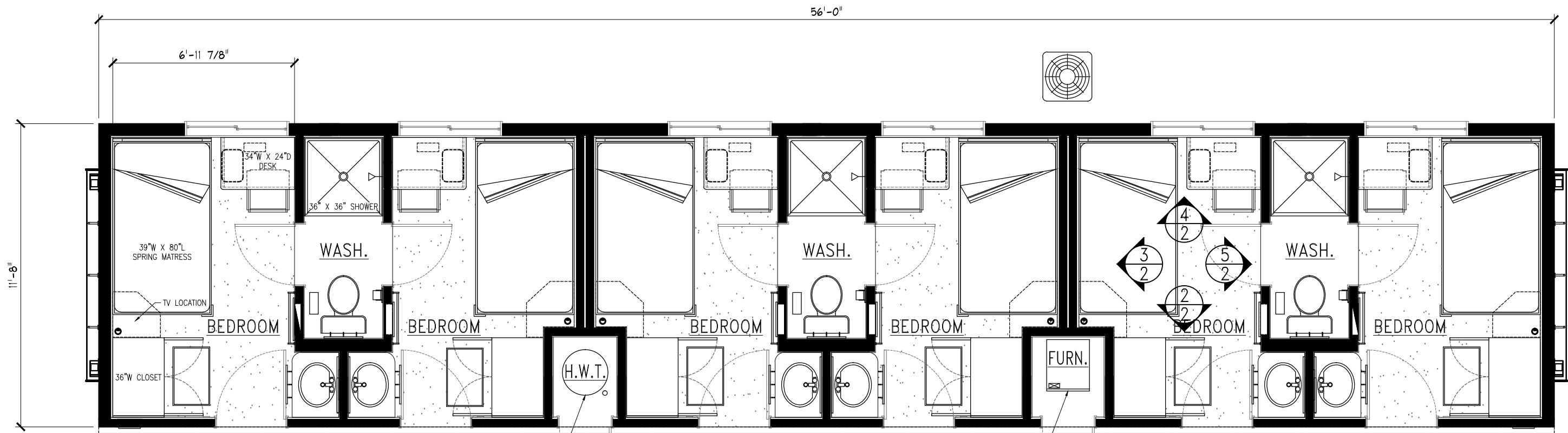
*The Ultimate* in transportable buildings ...  
 504 - 13th Avenue; Nisku, Alberta T9E 7P6  
 telephone: (780)955-7733 fax: (780)955-7851  
 toll free: 1-800-252-7990

FILE NAME: 44SBED(120917)

DRAWN BY: MC

DATE: SEPTEMBER 17, 2012

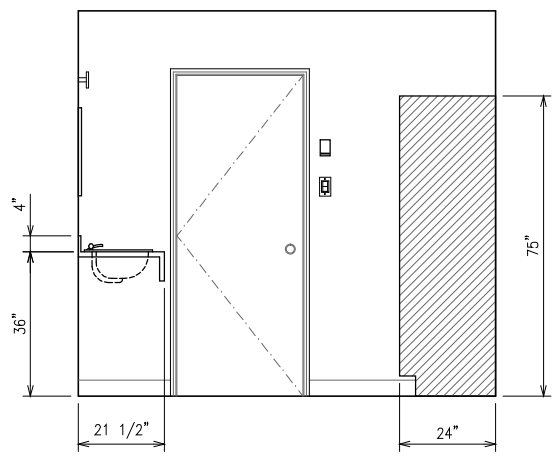
SHEET NO.: 1 of 5



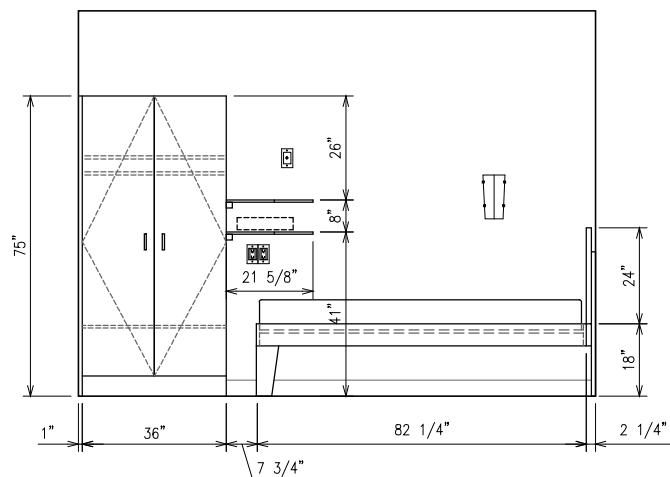
1 FLOOR PLAN  
 2 NOTE: TV SUPPLIED BY CLIENT

40 GAL. LPG  
 HOT WATER TANK

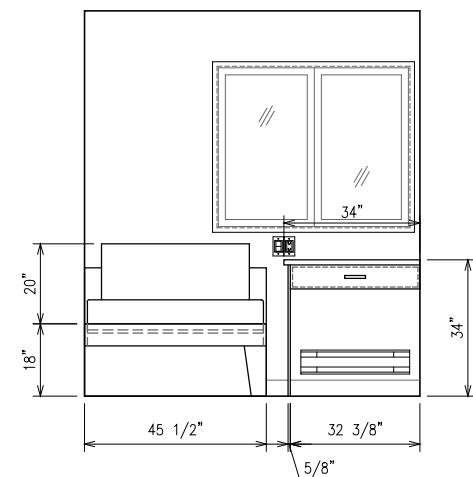
57,000 Btu  
 LPG FURNACE



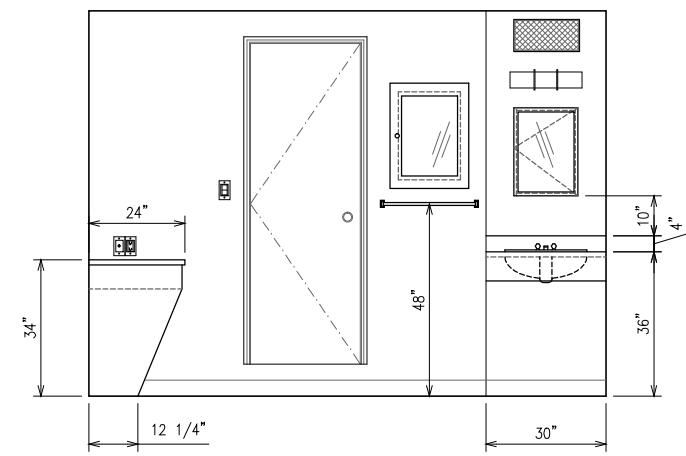
2 INTERIOR ELEVATION



3 INTERIOR ELEVATION



4 INTERIOR ELEVATION



5 INTERIOR ELEVATION

Location: TBA  
 Occupancy Classification: Dorms, ABC 2006, Part 10

Snow load: min. 2.0kPa  
 Wind load: min. 0.7kPa  
 Floor load: min. 2.4kPa

Note: Dorms that exceed 600m<sup>2</sup> in building area must be sprinklered to a maximum 1200m<sup>2</sup> (ABC 2006, 10.1.1.3.1a)ii)

Building Footprint: 4'Wide Hallway - 583m<sup>2</sup>  
 4'-6"Wide Hallway - 593m<sup>2</sup>  
 5'Wide Hallway - 600m<sup>2</sup>  
 5-6'Wide Hallway - 614m<sup>2</sup>  
 6'Wide Hallway - 625m<sup>2</sup>

Typical Bedroom Footprint: 80ft<sup>2</sup>  
 Typical Washroom Footprint: 24ft<sup>2</sup>

44-BED (SKIDDED) "DORMITORY"  
 4-Bed (skid) "Sleeper"

presented to ...

**ALTA-FAB**  
 structures ltd.

*the Ultimate in transportable buildings ...*  
 504 - 13th Avenue, Nisku, Alberta T9E 7P6  
 telephone: (780)956-7733 fax: (780)956-7851  
 toll free: 1-800-252-7990

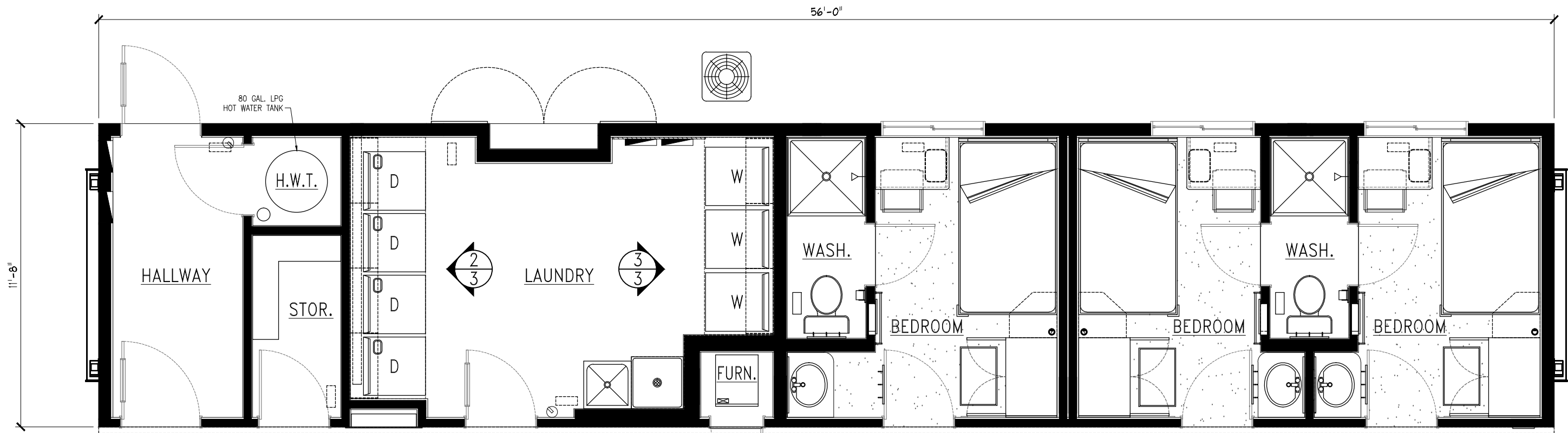
FILE NAME: 44SBED(120917)

DRAWN BY: MC

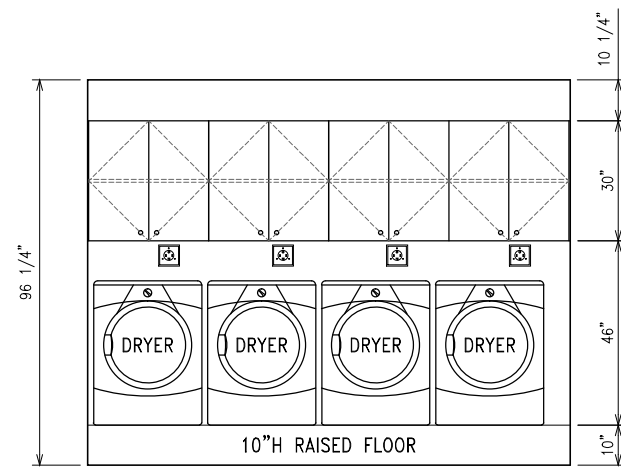
DATE: SEPTEMBER 17, 2012

SHEET NO.: 2 of 5

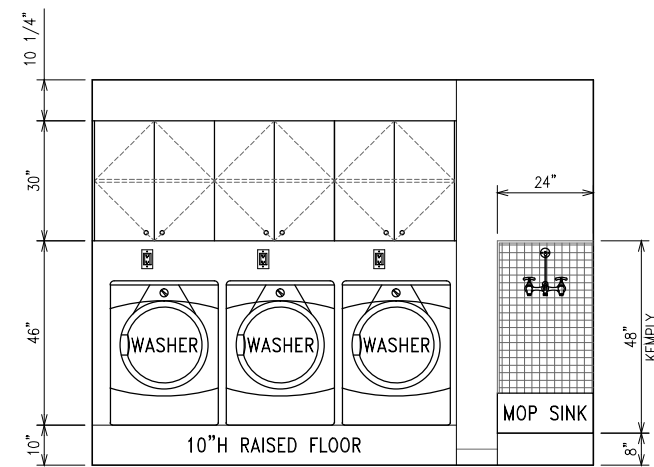
This drawing is for presentation purposes and does not constitute an approved drawing for construction purposes. Required final drawing approval protocol will be as required by location building code requirements and local authorities permitting review processes. This drawing and design is the sole property of Alta-Fab Structures Ltd. and may not be reproduced or submitted without the expressed written consent of Alta-Fab Structures Ltd.



1/3 FLOOR PLAN



2/3 INTERIOR ELEVATION



3/3 INTERIOR ELEVATION

Location: TBA  
Occupancy Classification: Dorms, ABC 2006, Part 10

Note: Dorms that exceed 600m<sup>2</sup> in building area must be sprinklered to a maximum 1200m<sup>2</sup> (ABC 2006, 10.1.1.3.1a(ii))

Snow load: min. 2.0kPa  
Wind load: min. 0.7kPa  
Floor load: min. 2.4kPa

Building Footprint: 4'Wide Hallway - 583m<sup>2</sup>  
4'-6"Wide Hallway - 593m<sup>2</sup>  
5'Wide Hallway - 600m<sup>2</sup>  
5-6'Wide Hallway - 614m<sup>2</sup>  
6'Wide Hallway - 625m<sup>2</sup>

Typical Bedroom Footprint: 80ft<sup>2</sup>  
Typical Washroom Footprint: 24ft<sup>2</sup>

44-BED (SKIDDED) "DORMITORY"  
3-Bed (skid) "LAUNDRY/SLEEPER"

presented to ...

**ALTA-FAB**

structures ltd.

*The Ultimate in transportable buildings ...*  
504 - 13th Avenue, Nisku, Alberta T9E 7P6  
telephone: (780)955-7733 fax: (780)955-7851  
toll free: 1-800-252-7990

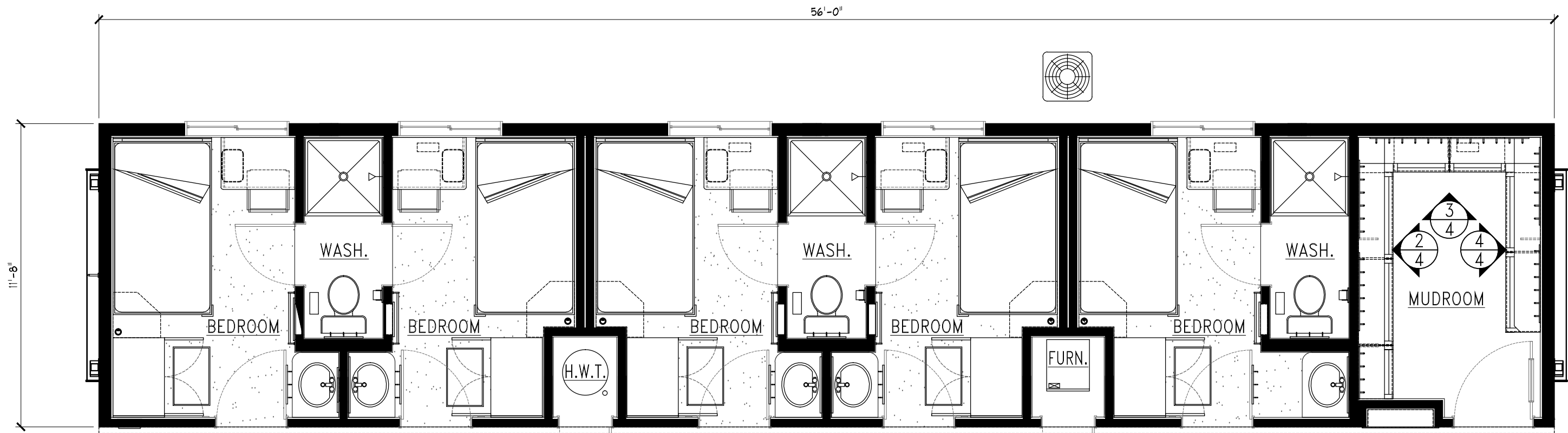
FILE NAME: 44SBED(120917)

DRAWN BY: MC

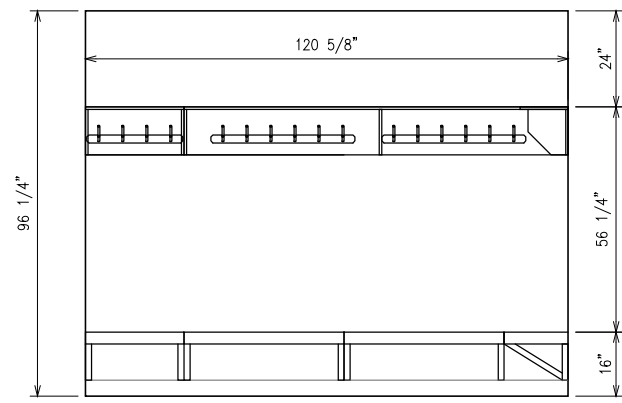
DATE: SEPTEMBER 17, 2012

SHEET NO.: 3 of 5

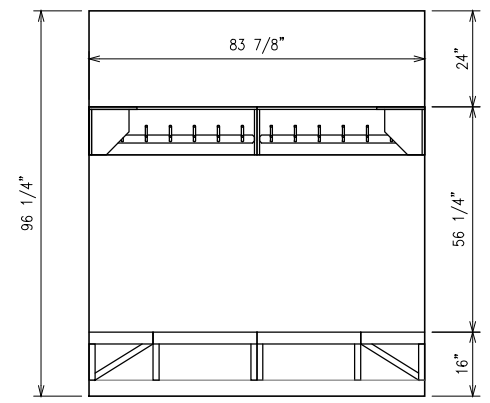
This drawing is for presentation purposes and does not constitute an approved drawing for construction purposes. Required final drawing approval protocol will be as required by location building code requirements and local authorities permitting review processes. This drawing and design is the sole property of Alta-Fab Structures Ltd. and may not be reproduced or submitted without the expressed written consent of Alta-Fab Structures Ltd.



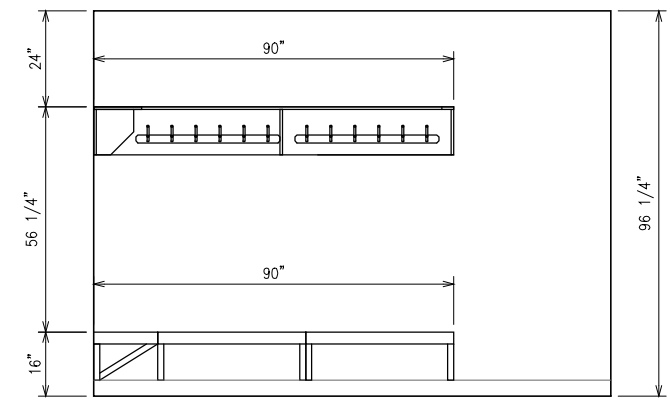
① | FLOOR PLAN



② | INTERIOR ELEVATION



③ | INTERIOR ELEVATION



④ | INTERIOR ELEVATION

Location: TBA  
Occupancy Classification: Dorms, ABC 2006, Part 10

Note: Dorms that exceed 600m<sup>2</sup> in building area must be sprinklered to a maximum 1200m<sup>2</sup> (ABC 2006, 10.1.1.3.1a(ii))

Snow load: min. 2.0kPa  
Wind load: min. 0.7kPa  
Floor load: min. 2.4kPa

Building Footprint: 4'Wide Hallway - 583m<sup>2</sup>  
4'-6"Wide Hallway - 593m<sup>2</sup>  
5'Wide Hallway - 600m<sup>2</sup>  
5-6'Wide Hallway - 614m<sup>2</sup>  
6'Wide Hallway - 625m<sup>2</sup>

Typical Bedroom Footprint: 80ft<sup>2</sup>  
Typical Washroom Footprint: 24ft<sup>2</sup>

44-BED (SKIDDED) "DORMITORY"  
5-Bed (skid) "SLEEPER/MUDROOM"

presented to ...

**ALTA-FAB**  
structures ltd.

*the Ultimate in transportable buildings ...*  
504 - 13th Avenue, Nisku, Alberta T9E 7P6  
telephone: (780)955-7733 fax: (780)955-7851  
toll free: 1-800-252-7990

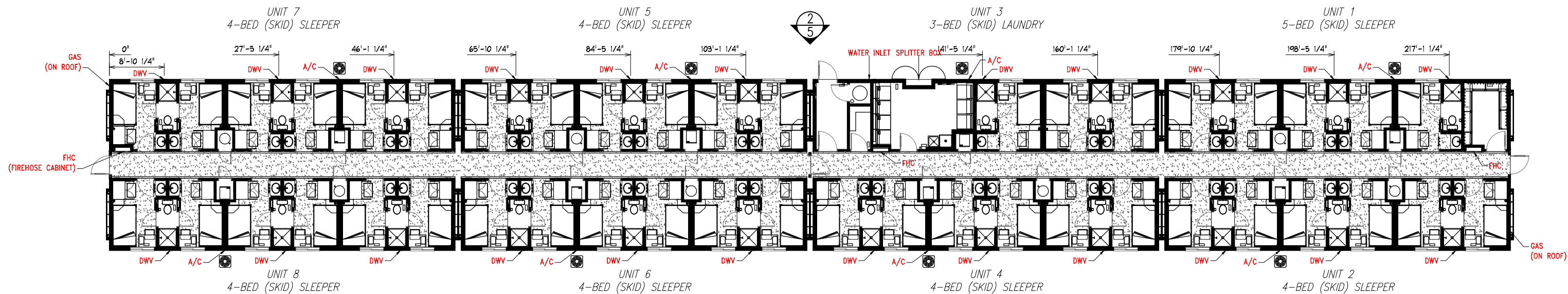
FILE NAME: 44SBED(120917)

DRAWN BY: MC

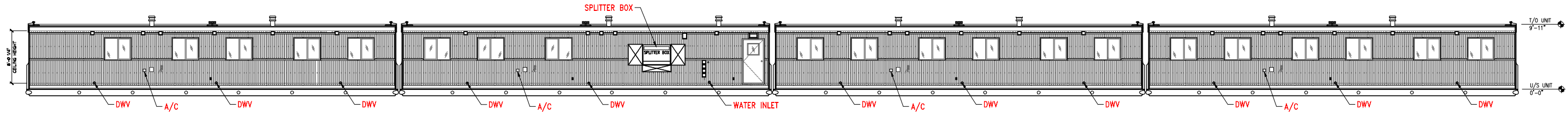
DATE: SEPTEMBER 17, 2012

SHEET NO.: 4 of 5

This drawing is for presentation purposes and does not constitute an approved drawing for construction purposes. Required final drawing approval protocol will be as required by location building code requirements and local authorities permitting review processes. This drawing and design is the sole property of Alta-Fab Structures Ltd. and may not be reproduced or submitted without the expressed written consent of Alta-Fab Structures Ltd.



1/5 SERVICE LOCATION PLAN



2/5 EXTERIOR ELEVATION

|  |  |  |   |   |   |  |
|--|--|--|---|---|---|--|
| <b>WATER</b><br>INLET: 1 1/4" FIP PIPE<br>SIDE OF UNIT | <b>SEWER</b><br>DWV: 3" ABS PIPE c/w FERNCO<br>SIDE OF UNIT, 24" FROM BOTTOM OF SKID | <b>GAS</b><br>GAS: 1 1/2" IRON PIPE<br>TOTAL BTU: 975,00 BTU | <b>ELECTRICAL</b><br>SLEEPER SDP: 30 AMP, 120/208V, 3 PHASE<br>LAUNDRY SDP: 100 AMP, 120/208V, 3 PHASE<br>MDP: 225 AMP, 120/208V, 3 PHASE | <b>FIRE ALARM (FACP)</b><br>BRAND: MIRC0M | <b>AIR CONDITIONER</b><br>2 LINE, PRECHARGED A/C KIT (144"L)<br>PAD MOUNT CONDENSER | <b>CORD LENGTH SCHEDULE</b><br>UNIT 1 - 70 FEET OF CORD<br>UNIT 2 - 100 FEET OF CORD<br>UNIT 4 - 70 FEET OF CORD<br>UNIT 5 - 30 FEET OF CORD<br>UNIT 6 - 70 FEET OF CORD<br>UNIT 7 - 100 FEET OF CORD<br>UNIT 8 - 130 FEET OF CORD |
|--|--|--|---|---|---|--|

Location: TBA  
 Occupancy Classification: Dorms, ABC 2006, Part 10

Note: Dorms that exceed 600m<sup>2</sup> in building area must be sprinklered to a maximum 1200m<sup>2</sup> (ABC 2006, 10.1.1.3.1a.ii)

Snow load: min. 2.0kPa  
 Wind load: min. 0.7kPa  
 Floor load: min. 2.4kPa

Building Footprint: 4'Wide Hallway - 583m<sup>2</sup>  
 4'-6"Wide Hallway - 593m<sup>2</sup>  
 5'Wide Hallway - 600m<sup>2</sup>  
 5-6'Wide Hallway - 614m<sup>2</sup>  
 6'Wide Hallway - 625m<sup>2</sup>

Typical Bedroom Footprint: 80ft<sup>2</sup>  
 Typical Washroom Footprint: 24ft<sup>2</sup>

44-BED (SKIDDED) "DORMITORY"  
 Service Location Plan  
 presented to ...

**ALTA-FAB**  
 structures ltd.  
*The Ultimate in transportable buildings ...*  
 504 - 13th Avenue, Nisku, Alberta T9E 7P6  
 telephone: (780)955-7733 fax: (780)955-7851  
 toll free: 1-800-252-7990

|            |                    |
|------------|--------------------|
| FILE NAME: | 44SBED(120917)     |
| DRAWN BY:  | MC                 |
| DATE:      | SEPTEMBER 17, 2012 |
| SHEET NO.: | 5 of 5             |

This drawing is for presentation purposes and does not constitute an approved drawing for construction purposes. Required final drawing approval protocol will be as required by location building code requirements and local authorities permitting review processes. This drawing and design is the sole property of Alta-Fab Structures Ltd. and may not be reproduced or submitted without the expressed written consent of Alta-Fab Structures Ltd.